



**MANUFACTURED BY:**  
**Backyard Discovery**  
 3305 Airport Drive, Pittsburg, KS 66762  
 800-856-4445

Basepoint Business Centre: Rivermead Drive, Westlea, Swindon SN5 7EX Phone: 0800-118-2476  
 J.P. Coenstraat 7, The Bridge, The Hague, 2595 WP, Netherlands Phone: 0800-567-8990

# SHENANDOAH

## Swing Set Model # 65413B

The assembly manual must be retained since it contains important information



**WARNING**  
**Adult Assembly Required.**  
 Not suitable for children under 36 months due to small parts.  
**FOR DOMESTIC USE ONLY. INTENDED FOR OUTDOOR USE.**



**Please visit [www.backyarddiscovery.com](http://www.backyarddiscovery.com)**

For the most up to date assembly manual, to register your set, or to order replacement parts

*Para obtener instrucciones en español, visite [www.backyarddiscovery.com](http://www.backyarddiscovery.com)*



**EASY STEP-BY-STEP  
 3D INTERACTIVE INSTRUCTIONS**

DOWNLOAD THE FREE APP



Made in China

INS-65413B-A-SHENANDOAH-ENG 8-23-2023

# Owner's Manual - Basic Setup Dimensions & Assembly Notes

Place the set on level ground, not less than 6'-7" [2 m] from any structure or obstruction such as a fence, garage, house, overhanging branches, laundry lines, or electrical wires.

- While assembling unit, take time before and after each phase to make sure fort is level. If fort is not level, assembly will be difficult and improper assembly may result. Extra care must be taken to insure the fort is square.
- The safe play area refers to a zone extending 6'-7" (2 m) beyond the play product on all sides, including the space above the play product.

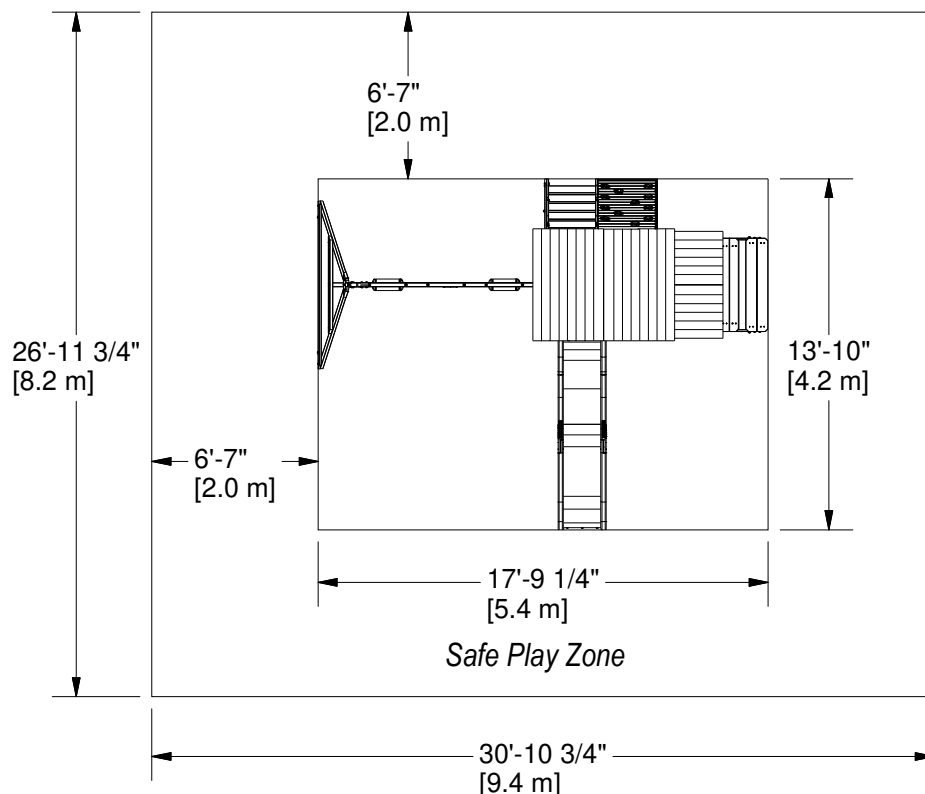
## SAFE PLAY AREA DIAGRAM

### Ground Dimensions

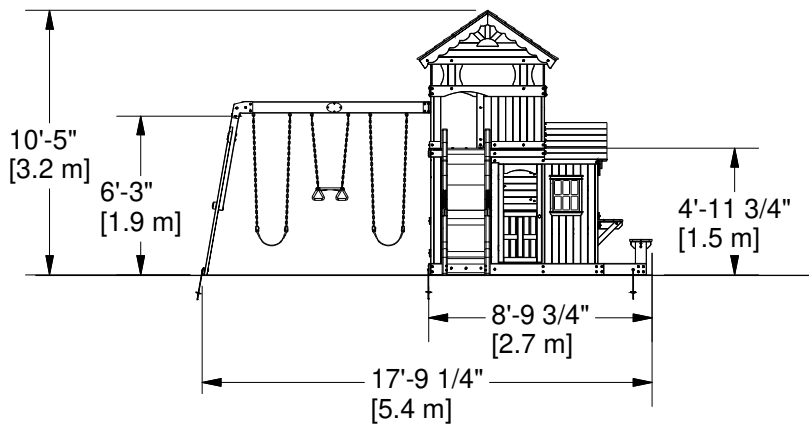
13'-10" [4.2] x 17'-9 1/4" [5.4] x 10'-5" [3.2]

### Safe Play Area

26'-11 3/4" [8.2] x 30'-10 3/4" [9.4] x 17' [5.2]



SAFE PLAY HEIGHT: 17' [5.2]  
MAXIMUM FALL HEIGHT: 6'-3"



### General Information:

Your set has been designed and engineered for children only and for residential use only.  
A maximum of 150 lbs. per child is recommended for play activities designed for individual use.  
A maximum of 120 lbs. per child is recommended for play activities designed for multiple child use.  
A maximum of 9 children is recommended for this swing set.

# Owner's Manual - Parts Identification

## Wood Components (Not to Scale)



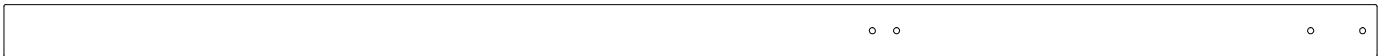
**E1 | UPRIGHT - W4L17482**  
(x1) | 1 3/8"x3 3/8"x55 5/8" (36x86x1414)



**E2 | UPRIGHT W/TAG - W2A03468**  
(x1) | 1 3/8"x3 3/8"x89 1/2" (36x86x2272)



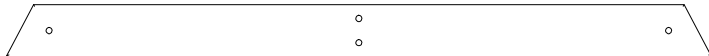
**E3 | UPRIGHT - W4L16745**  
(x1) | 1 3/8"x3 3/8"x89 1/2" (36x86x2272)



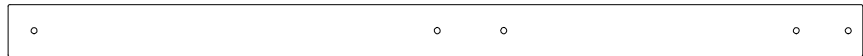
**E4 | UPRIGHT - W4L17481**  
(x1) | 1 3/8"x3 3/8"x89 1/2" (36x86x2272)



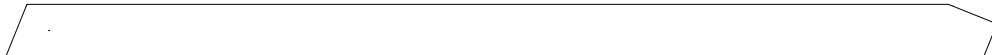
**E5 | UPRIGHT - W4L16747**  
(x1) | 1 3/8"x3 3/8"x89 1/2" (36x86x2272)



**E50 | END SUPPORT - W4L14651**  
(x1) | 1 1/2"x3 1/2"x46" (36x86x1168)



**E6 | UPRIGHT - W4L17483**  
(x1) | 1 3/8"x3 3/8"x55 5/8" (36x86x1414)



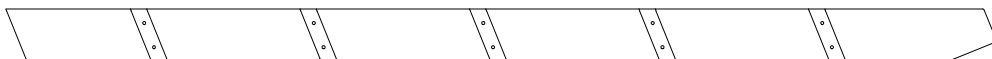
**E72 | LEFT RAIL - W4L16727**  
(x1) | 1 3/8"x3 3/8"x64 5/8" (36x86x1640)



**E77 | ANGLE BRACE - W4L14652**  
(x2) | 1 3/8"x3 3/8"x81" (36x86x2056)



**E78 | RIGHT RAIL - W4L16734**  
(x1) | 1"x3 3/8"x64 5/8" (24x86x1640)



**E79 | MIDDLE RAIL - W4L16733**  
(x1) | 1"x3 3/8"x64 5/8" (24x86x1640)



**F1 | SHELF BRACE - W4L16741**  
(x1) | 1 3/8"x2 3/8"x13 1/8" (36x60x332)



**F2 | SHELF BRACE - W4L16740**  
(x2) | 1 3/8"x2 3/8"x16" (36x60x406)



**F71 | STANDARD ANGLE BRACE - W4L16739**  
(x4) | 1 3/8"x2 3/8"x13" (36x60x330)

# Owner's Manual - Parts Identification

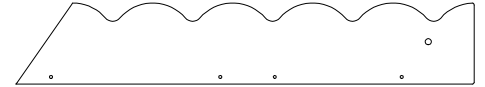
## Wood Components (Not to Scale)



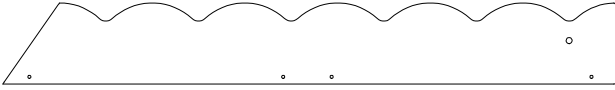
**G1** | VERTICAL BENCH LEG - W104170  
(x2) | 1"x5 1/4"x15 3/4" (24x134x400)



**G2** | HORIZONTAL BENCH LEG - W104168  
(x2) | 1"x5 1/4"x22" (24x134x560)



**G3** | LEMONADE GABLE BOARD - W104151  
(x2) | 1"x5 1/4"x29 7/8" (24x134x758)



**G4** | FORT GABLE BOARD - W104150  
(x4) | 1"x5 1/4"x39 7/8" (24x134x1014)



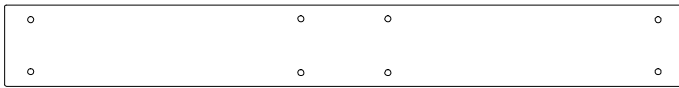
**G5** | SHELF BOARD - W4L17484  
(x1) | 1"x5 1/4"x43" (24x134x1092)



**G6** | SHELF BOARD - W4L17485  
(x1) | 1"x5 1/4"x43" (24x134x1092)



**G7** | GROUND BOARD - W104108  
(x1) | 1"x5 1/4"x44 1/4" (24x134x1124)



**G8** | SWING BEAM MOUNTING BOARD - W104119  
(x1) | 1"x5 1/4"x44 1/4" (24x134x1124)



**G9** | SEAT BOARD - W104172  
(x2) | 1"x5 1/4"x44 1/4" (24x134x1124)



**G10** | LEMONADE ARCH BOARD - W104175  
(x1) | 1"x5 1/4"x44 1/4" (24x134x1124)



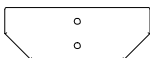
**G11** | GROUND BOARD - W4L16738  
(x1) | 1"x5 1/4"x73 1/4" (24x134x1860)



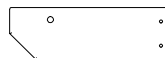
**G12** | GROUND BOARD - W104105  
(x1) | 1"x5 1/4"x82" (24x134x2084)



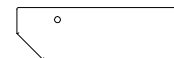
**G13** | GROUND BOARD - W104106  
(x1) | 1"x5 1/4"x82" (24x134x2084)



**H2** | BENCH SEAT SUPPORT - W4L16743  
(x2) | 1"x3 3/8"x9 1/2" (24x86x240)



**H3** | SHELF SUPPORT - W4L17462  
(x1) | 1"x3 3/8"x10 1/4" (24x86x260)



**H4** | SHELF SUPPORT - W4L16742  
(x2) | 1"x3 3/8"x10 1/2" (24x86x268)



# Owner's Manual - Parts Identification

## Wood Components (Not to Scale)



**H5 | FLOOR RAIL - W104113**  
(x1) | 1"x3 3/8"x44 1/4" (24x86x1124)



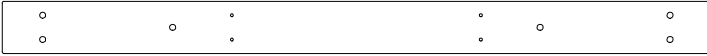
**H6 | HORIZONTAL ROOF SUPPORT - W104145**  
(x2) | 1"x3 3/8"x44 1/4" (24x86x1124)



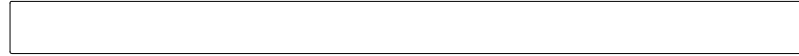
**H7 | SHELF SUPPORT RAIL - W104161**  
(x1) | 1"x3 3/8"x44 1/4" (24x86x1124)



**H8 | LEMONADE ROOF SUPPORT - W104124**  
(x1) | 1"x3 3/8"x45 1/2" (24x86x1156)



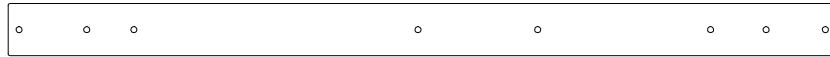
**H9 | FLOOR RAIL - W104112**  
(x1) | 1"x3 3/8"x46 1/8" (24x86x1172)



**H10 | FLOOR SUPPORT - W104120**  
(x2) | 1"x3 3/8"x51 5/8" (24x86x1310)



**H11 | FLOOR RAIL - W104110**  
(x1) | 1"x3 3/8"x53 7/8" (24x86x1370)



**H12 | FLOOR RAIL - W4L16726**  
(x1) | 1"x3 3/8"x53 7/8" (24x86x1370)



**H13 | HORIZONTAL ROOF SUPPORT - W104146**  
(x2) | 1"x3 3/8"x58 7/8" (24x86x1494)



**H14 | DOOR RAIL - W104114**  
(x1) | 1"x3 3/8"x59" (24x86x1500)



**H76 | LADDER RUNG - W4L16736**  
(x5) | 1"x3 3/8"x21 3/4" (24x86x551)



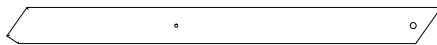
**J1 | WALL RAIL - W104180**  
(x1) | 1"x2 3/8"x23 3/4" (24x60x602)



**J2 | WALL RAIL - W104181**  
(x1) | 1"x2 3/8"x27 1/8" (24x60x690)



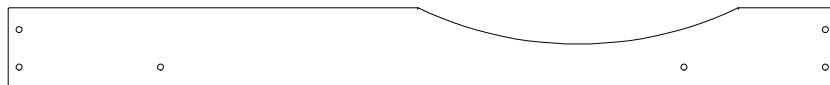
**H80 | GROUND BOARD - W4L14653**  
(x1) | 1"x3 3/8"x79 1/2" (24x86x2018)



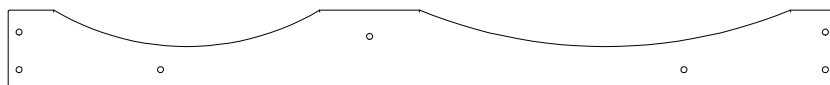
**J3 | LEMONADE ROOF SUPPORT - W104156**  
(x2) | 1"x2 3/8"x28 1/4" (24x60x718)



**K1 | UPPER WALL RAIL - W104116**  
(x2) | 5/8"x5 1/4"x45 1/2" (16x134x1156)



**K2 | ARCH BOARD - W104117**  
(x1) | 5/8"x5 1/4"x53 7/8" (16x134x1370)



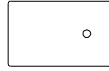
**K3 | DOUBLE ARCH BOARD - W104118**  
(x1) | 5/8"x5 1/4"x53 7/8" (16x134x1370)

# Owner's Manual - Parts Identification

## Wood Components (Not to Scale)



**M1** | DECORATIVE WALL RAIL - W104142  
(x1) | 5/8"x3 3/8"x3 3/8" (16x86x86)



**M2** | SMALL WALL RAIL - W104135  
(x1) | 5/8"x3 3/8"x5 3/8" (16x86x138)



**M3** | LEMONADE WALL RAIL - W104173  
(x2) | 5/8"x3 3/8"x6 3/4" (16x86x172)



**M4** | UPPER WALL BOARD - W104131  
(x2) | 5/8"x3 3/8"x8 1/2" (16x86x216)



**M5** | UPPER WALL BOARD - W104132  
(x2) | 5/8"x3 3/8"x8 1/2" (16x86x216)



**M6** | UPPER WALL BOARD - W104128  
(x2) | 5/8"x3 3/8"x11 7/8" (16x86x302)



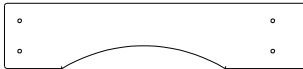
**M7** | UPPER WALL BOARD - W104129  
(x2) | 5/8"x3 3/8"x11 7/8" (16x86x302)



**M8** | WALL SLAT - W104134  
(x6) | 5/8"x3 3/8"x14 7/8" (16x86x378)



**M9** | SHORT ROOF SUPPORT - W104143  
(x3) | 5/8"x3 3/8"x15 5/8" (16x86x398)



**M10** | ARCH ROOF SUPPORT - W104144  
(x6) | 5/8"x3 3/8"x15 5/8" (16x86x398)



**M11** | WALL BOARD - W104169  
(x11) | 5/8"x3 3/8"x23 1/2" (16x86x596)



**M12** | WALL RAIL - W104136  
(x1) | 5/8"x3 3/8"x25 1/4" (16x86x642)



**M13** | WALL BOARD - W104137  
(x11) | 5/8"x3 3/8"x26 1/8" (16x86x662)



**M14** | WALL BOARD - W104138  
(x1) | 5/8"x3 3/8"x26 1/8" (16x86x662)



**M15** | WALL BOARD - W104160  
(x1) | 5/8"x3 3/8"x26 1/8" (16x86x662)



**M16** | LEMONADE ROOF SUPPORT - W104123  
(x1) | 5/8"x3 3/8"x26 3/4" (16x86x678)



**M17** | WALL BOARD - W104174  
(x2) | 5/8"x3 3/8"x27 3/4" (16x86x706)



**M18** | ENTRANCE WALL BOARD - W104141  
(x1) | 5/8"x3 3/8"x27 7/8" (16x86x708)



**M19** | LOWER WALL BOARD - W104126  
(x4) | 5/8"x3 3/8"x29 5/8" (16x86x754)



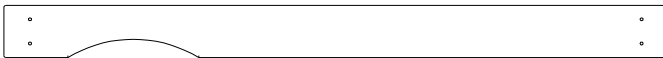
**M20** | LOWER WALL BOARD - W104127  
(x4) | 5/8"x3 3/8"x29 5/8" (16x86x754)



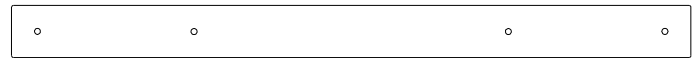
**M21** | GABLE BOARD - W104158  
(x2) | 5/8"x3 3/8"x39 3/8" (16x86x1000)



**M22** | LONG ROOF SUPPORT - W104139  
(x5) | 5/8"x3 3/8"x43 1/4" (16x86x1098)



**M23** | LONG ARCH ROOF SUPPORT - W104140  
(x10) | 5/8"x3 3/8"x43 1/4" (16x86x1098)



**M24** | WALL RAIL - W104133  
(x1) | 5/8"x3 3/8"x44 1/4" (16x86x1124)



**M25** | WALL RAIL - W104162  
(x2) | 5/8"x3 3/8"x44 1/4" (16x86x1124)



**M26** | GABLE BOARD - W104157  
(x2) | 5/8"x3 3/8"x48" (16x86x1220)



**M27** | WALL RAIL - W104115  
(x1) | 5/8"x3 3/8"x50 1/2" (16x86x1283)



**M28** | WALL BOARD - W104130  
(x3) | 5/8"x3 3/8"x53 7/8" (16x86x1368)

# Owner's Manual - Parts Identification

## Wood Components (Not to Scale)



**M29** | WALL BOARD - W104125  
(x4) | 5/8"x3 3/8"x57 1/4" (16x86x1454)



**M30** | WALL BOARD - W4L17461  
(x2) | 5/8"x3 3/8"x26 5/8" (16x86x676)



**M61** | ATTACHMENT BOARD - W4L16725  
(x1) | 1"x3 3/8"x52 1/2" (24x86x1334)



**M70** | SLIDE BED SUPPORT - W100935  
(x1) | 5/8"x3 3/8"x19 7/8" (16x86x505)



**M73** | REAR SUPPORT - W4L16735  
(x1) | 5/8"x3 3/8"x22 3/4" (16x86x579)



**M74** | ROCK WALL BOARD - W4L16729  
(x10) | 5/8"x3 3/8"x29" (16x86x738)



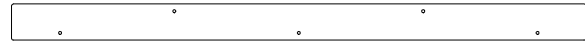
**M75** | ROCK WALL BOARD - W4L16730  
(x4) | 5/8"x3 3/8"x29" (16x86x738)



**M76** | ROCK WALL BOARD - W4L16731  
(x4) | 5/8"x3 3/8"x29" (16x86x738)



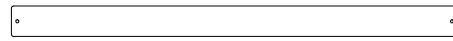
**N1** | LEMONADE GABLE BOARD - W104159  
(x1) | 5/8"x2 3/8"x35 3/8" (16x60x900)



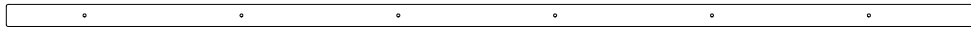
**N2** | FLOOR BOARD - W104122  
(x1) | 5/8"x2 3/8"x37 3/8" (16x60x950)



**N3** | ROOF SUPPORT - W4L16744  
(x2) | 5/8"x2 3/8"x38 7/8" (16x60x987)



**N11** | ROCK WALL BOARD - W4L16732  
(x1) | 5/8"x2"x29" (16x50x738)



**P24** | ROCK WALL CLEAT - W4L16737  
(x1) | 1"x1 3/8"x63 1/2" (24x36x1612)



**Q1** | SHELF BOARD - W104165  
(x1) | 1"x4 3/8"x44 1/4" (24x112x1124)



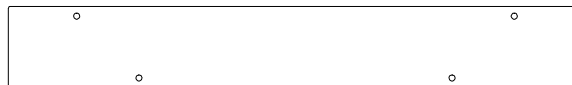
**Q2** | SHELF BOARD - W104166  
(x1) | 1"x4 3/8"x44 1/4" (24x112x1124)



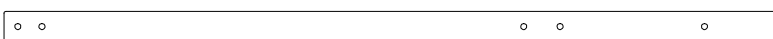
**Q3** | SHELF BOARD - W104167  
(x1) | 1"x4 3/8"x44 1/4" (24x112x1124)



**SB74** | SWING BEAM EXTENDED - W4L14650  
(x1) | 2"x5 1/4"x89 1/2" (50x134x2274)



**U1** | WALL RAIL - W104147  
(x1) | 3/4"x5 1/4"x37 3/8" (20x134x950)



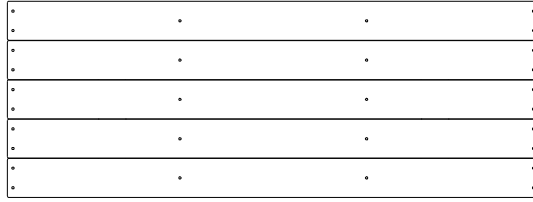
**W71** | SWING BEAM SUPPORT - W4L14654  
(x1) | 2"x3 3/8"x50 3/8" (50x86x1280)



**Y3** | ROCK WALL END BOARD - W4L16728  
(x1) | 5/8"x3 1/4"x30 5/8" (16x82x779)

# Owner's Manual - Parts Identification

## Wood Components (Not to Scale)



**FP1 | FLOOR PANEL - W2A03466**  
(x3) | 1 1/4"x17"x43 3/4" (32x432x1172)



**RP1 | ROOF PANEL - W104148**  
(x2) | 1 5/8"x20 5/8"x52 3/4" (42x524x1340)



**RP2 | ROOF PANEL - W104149**  
(x2) | 1 5/8"x20 5/8"x52 3/4" (42x524x1340)



**RP3 | ROOF PANEL - W104152**  
(x1) | 1 5/8"x15 5/8"x29 1/2" (42x396x750)



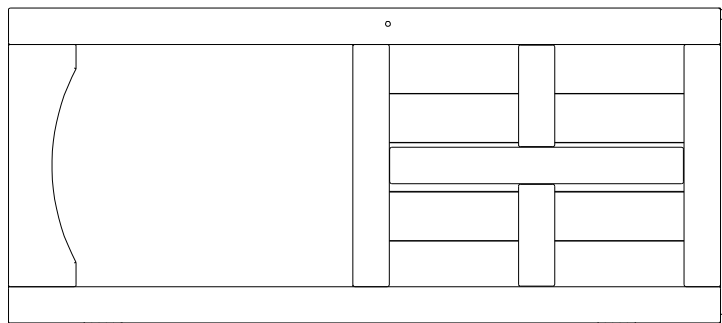
**RP4 | ROOF PANEL - W104153**  
(x1) | 1 5/8"x15 5/8"x46" (42x396x750)



**RP5 | ROOF PANEL - W104154**  
(x1) | 1.654 in"x15 5/8"x29 1/2" (42x396x750)



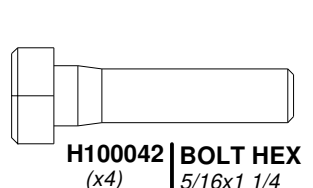
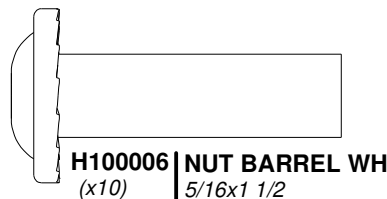
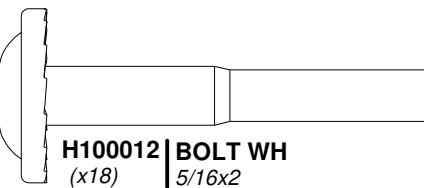
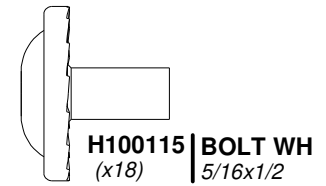
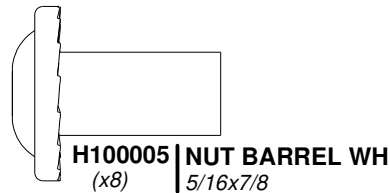
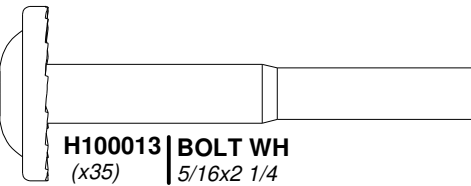
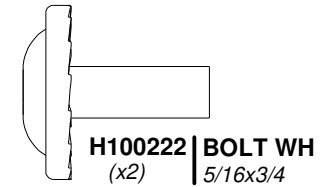
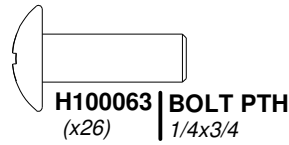
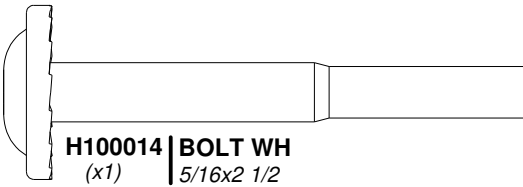
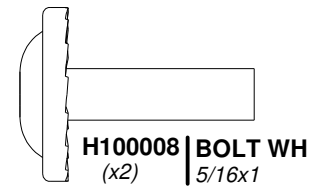
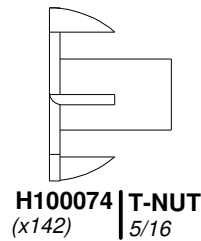
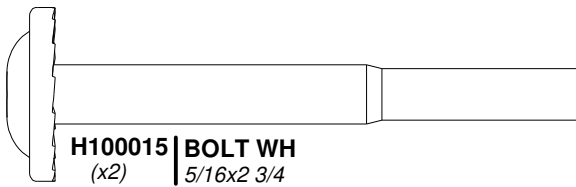
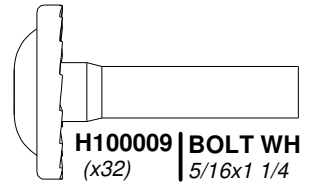
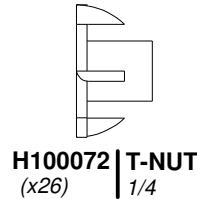
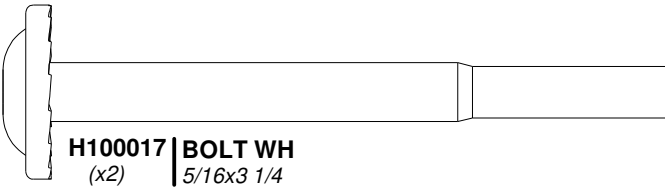
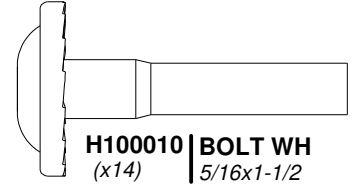
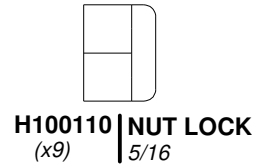
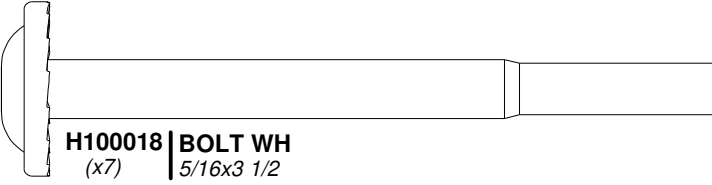
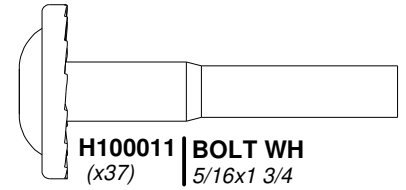
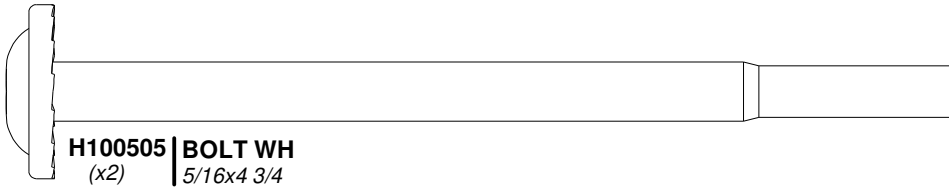
**RP6 | ROOF PANEL - W104155**  
(x1) | 1 5/8"x15 5/8"x46" (42x396x750)



**DP1 | DOOR ASSEMBLY - W104183**  
(x1) | 4 1/8"x20 3/8"x47" (104.5x519x1194)

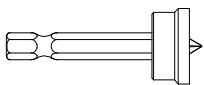
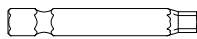
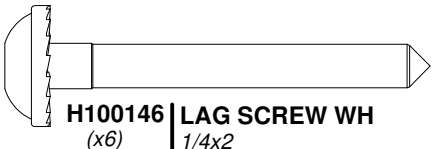
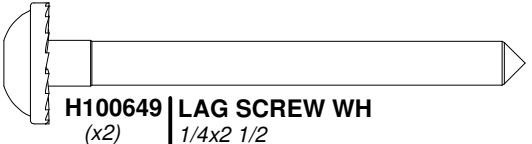
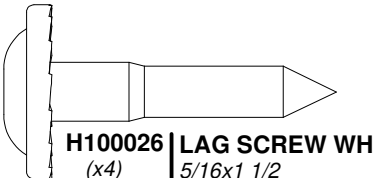
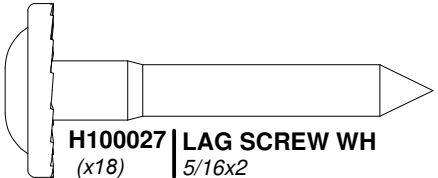
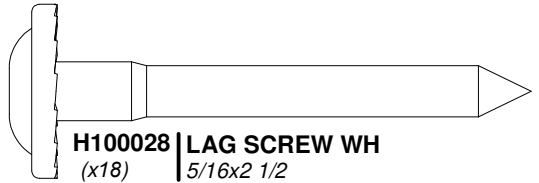
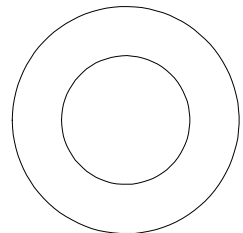
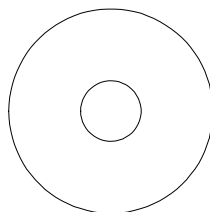
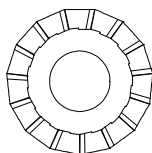
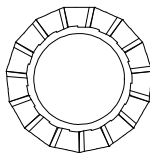
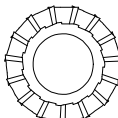
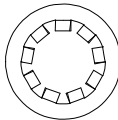
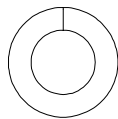
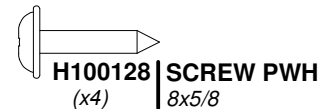
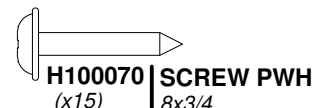
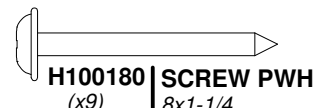
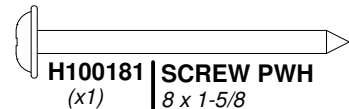
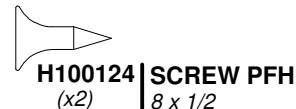
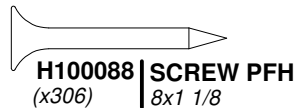
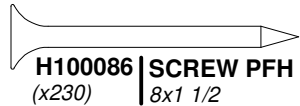
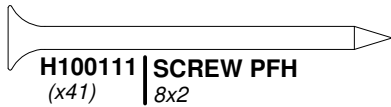
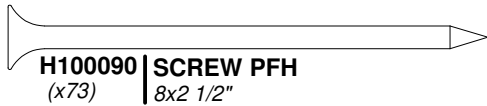
# Owner's Manual - Parts Identification

## Hardware Components



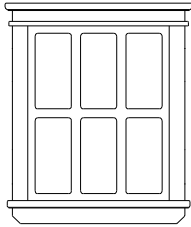
# Owner's Manual - Parts Identification

## Hardware Components

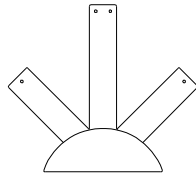


# Owner's Manual - Parts Identification

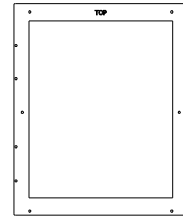
## Accessory Components (Not to Scale)



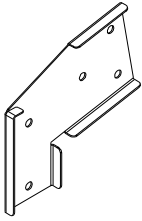
**A100321** | **PLASTIC WINDOW**  
(x2) | 44x412x485



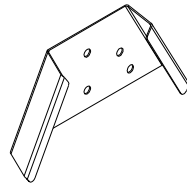
**A100361** | **PLASTIC SUNBURST**  
(x3)



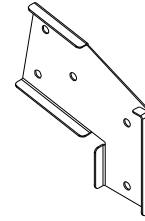
**A100365** | **LARGE PLASTIC WINDOW TRIM**  
(x2)



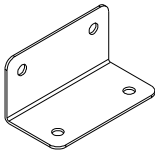
**A100325** | **SWING BEAM EXTENSION BRACKET-LEFT**  
(x1)



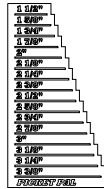
**A4M01169** | **A-FRAME BRACKET**  
(x1)



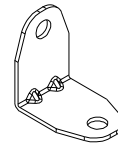
**A100326** | **SWING BEAM EXTENSION BRACKET-RIGHT**  
(x1)



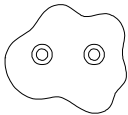
**A100140** | **L BRACKET**  
(x2) | 66x66x127



**A6P00410** | **PICKET PAL**  
(x1)



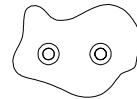
**A4M01046** | **L BRACKET**  
(x2) | 2.5x38x55x55



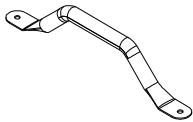
**A6P00036** | **GREEN HC ROCK #1**  
(x6)



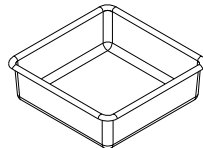
**A100071** | **KNOB**  
(x1)



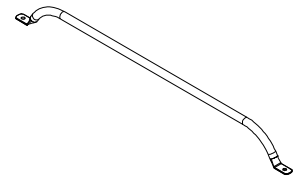
**A6P00037** | **GREEN HC ROCK #2**  
(x6)



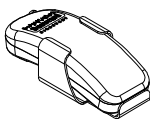
**A100118** | **HAND GRIP METAL GREEN**  
(x3) | 381 c/c



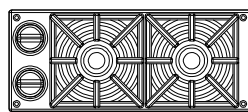
**A100129** | **SQUARE SINK BOWL**  
(x1)



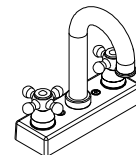
**A100134** | **HAND GRIP GREEN 816 C/C**  
(x2)



**A100132** | **PHONE KIT**  
(x1)



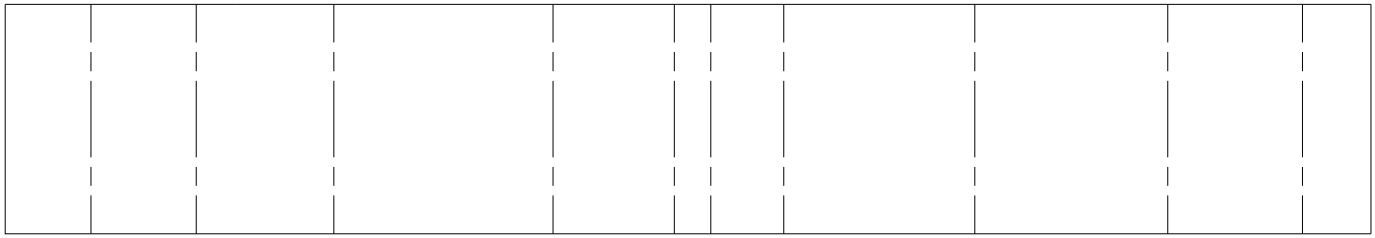
**A6P00025** | **STOVE KIT**  
(x1)



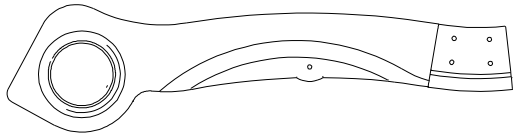
**A6P00024** | **FAUCET KIT**  
(x1)

# Owner's Manual - Parts Identification

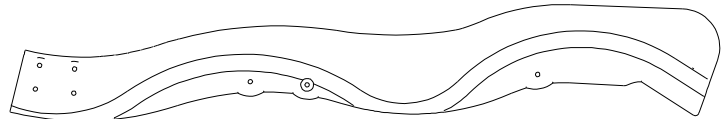
## Accessory Components (Not to Scale)



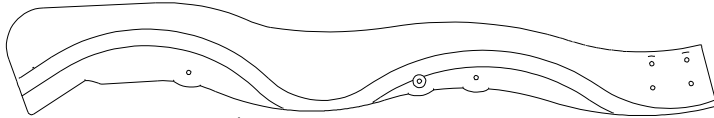
**A100035** | SLIDE BED 10' LIGHT GREEN  
(x1)



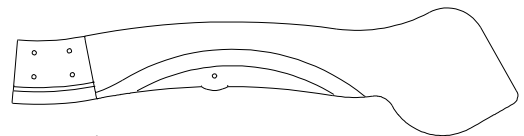
**A6P00484** | SLIDE RAIL 10' BOTTOM RIGHT GREEN  
(x1)



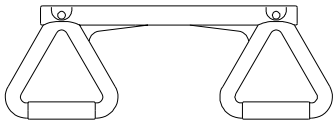
**A6P00486** | SLIDE RAIL 10' TOP RIGHT GREEN  
(x1)



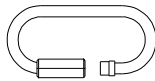
**A6P00485** | SLIDE RAIL 10' TOP LEFT GREEN  
(x1)



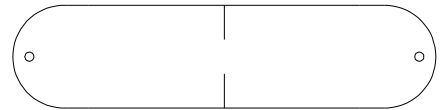
**A6P00483** | SLIDE RAIL 10' BOTTOM LEFT GREEN  
(x1)



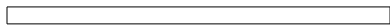
**A6P00034** | TRAPEZE YELLOW  
(x1)



**A100069** | QUICK LINK  
(x6)



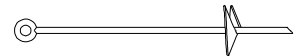
**A6P00054** | SWING SEAT GREEN 22"  
(x2)



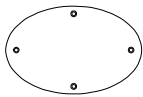
**A6P00487** | SLIDE TUBE SUPPORT  
(x4)



**H100099** | 9 1/2" SWING  
HANGER QUICK  
LINK  
(x6)



**A100178** | AUGER GROUND  
STAKE  
(x6)



**A100164** | BYD ID TAG  
(LARGE) AGES  
3-10  
(x1)



**A100177** | CHAIN GREEN 31"  
(x2)



**A100068** | CHAIN GREEN 51.25"  
(x4)



# PRE-ASSEMBLY STEP 1 - SORTING PARTS

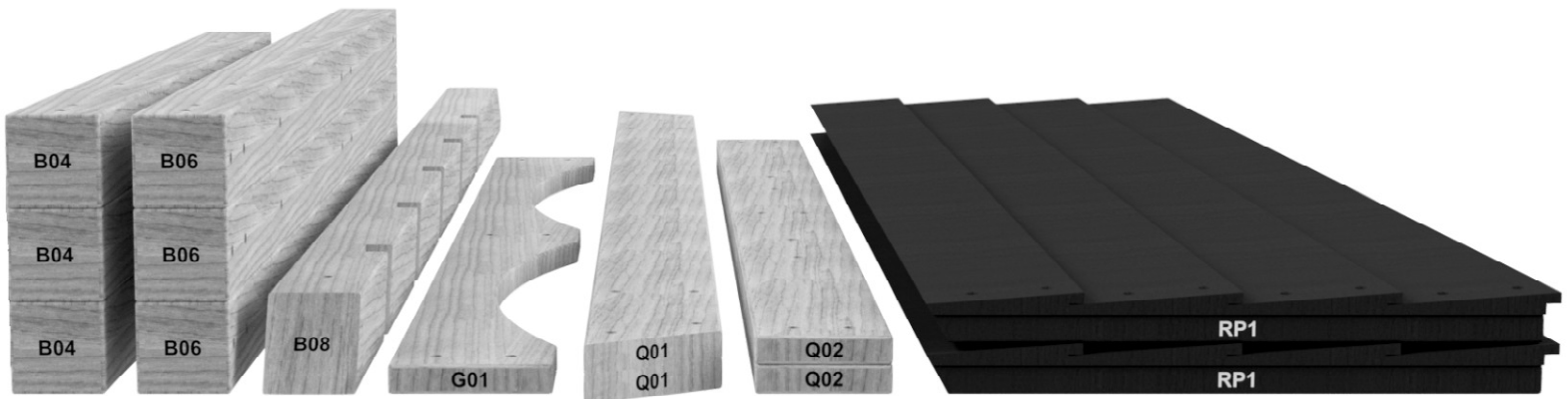
It is critical for ease of assembly that you take the time to sort and organize the wood and hardware.

---

## WOOD PARTS:

- Organize wood parts by the three-digit, alpha-numeric number stamped on each board (ex. P01).
- If there are multiple boards with the same stamped number, stack those pieces together.
- Stamps can be found on the flat surface of the boards or on the end of the boards.
- Allow yourself plenty of room - the wood pieces can take up a significant amount of space.

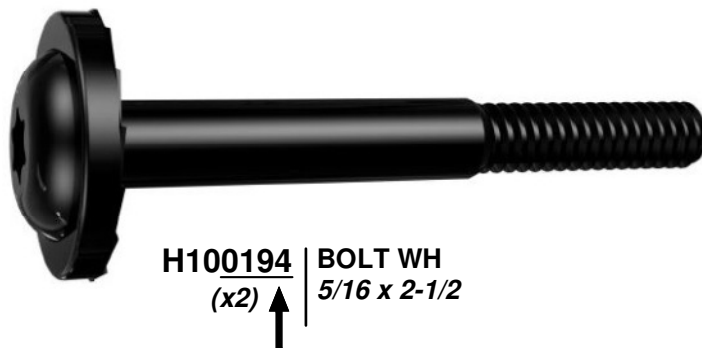
**NOTE: CARTONS ARE NOT ORGANIZED BY BOARD NUMBER.**



---

## HARDWARE PARTS:

- We recommend that you have a separate table to organize the hardware.
- Hardware bags are printed with a seven-digit, alpha-numeric part number.
- You can organize your hardware by part number or group by hardware type (i.e. bolts, nuts, etc.).
- During assembly you only need to reference the last four digits of the number.



# PRE-ASSEMBLY STEP 2 - TOOLS REQUIRED



**Cordless Drill or  
Electric Drill**



**Drill Attachments:  
Phillips Head**



**1/8", 3/16", 3/8" & 7/16"  
Drill Bits**



**Phillips Screw Driver**



**Open End Wrenches 1/2" & 9/16"**



**3/8" Drive Ratchet, 1/2" &  
9/16" STD Sockets 1/2" & 9/16" Deep  
Sockets**



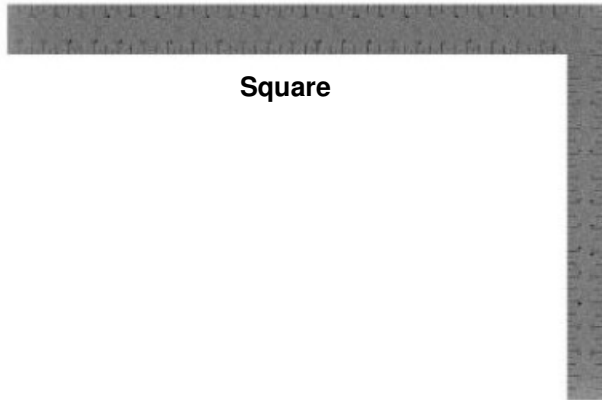
**Claw Hammer**



**Rubber Mallet - Optional**



**Tape Measure**



**Square**

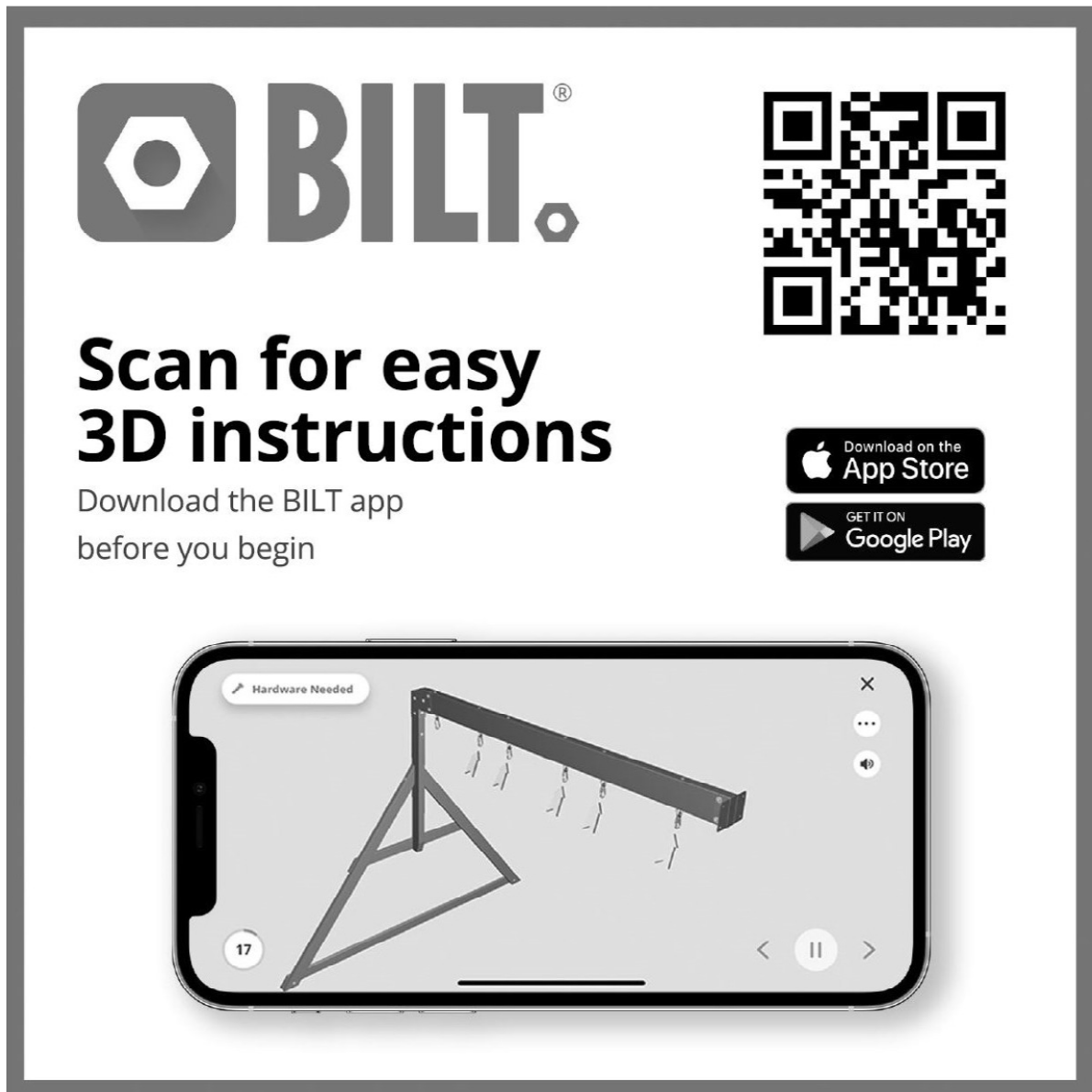


**Level 24"**

# PRE-ASSEMBLY STEP 3 - CHOOSE YOUR ASSEMBLY METHOD

There are several types of assembly instructions available to you.

1. Printed Assembly Manual included with your set
2. BILT APP - 3D interactive instructions
3. Combination of the Printed Manual and BILT APP (Note: Step numbers can differ between the two methods)



**BILT.**<sup>®</sup>

Scan for easy  
**3D instructions**

Download the BILT app  
before you begin

Download on the  
App Store

GET IT ON  
Google Play

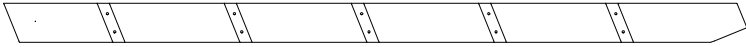
Hardware Needed

17

< || >

# STEP 1 - RW/LDR COMBO ASSY

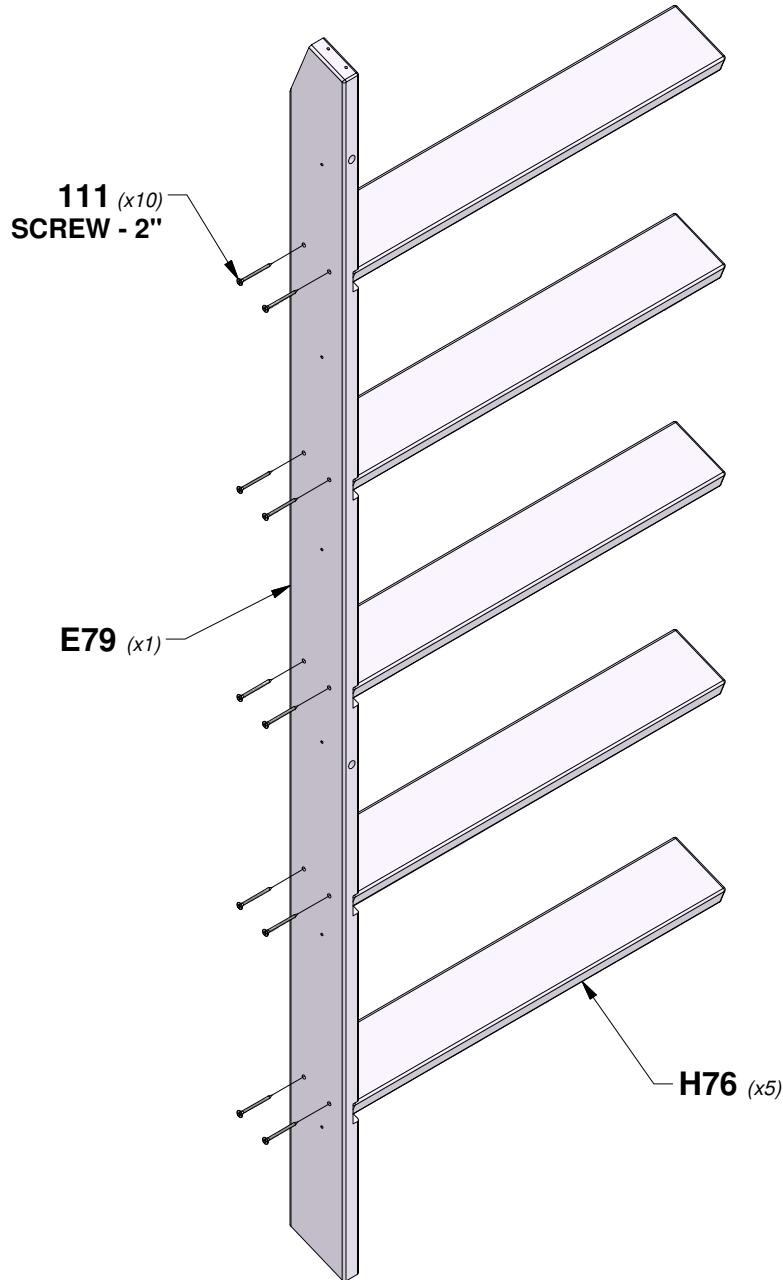
QTY	PART NUMBER	DESCRIPTION
10	H100111	SCREW PFH 8x2



**E79** | LEFT UPRIGHT - W4L16733  
(x1) | 1"x3 3/8"x64 5/8" (24x86x1640)

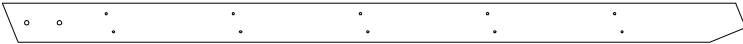


**H76** | LADDER RUNG - W4L16736  
(x5) | 1"x3 3/8"x22 7/8" (24x86x551)

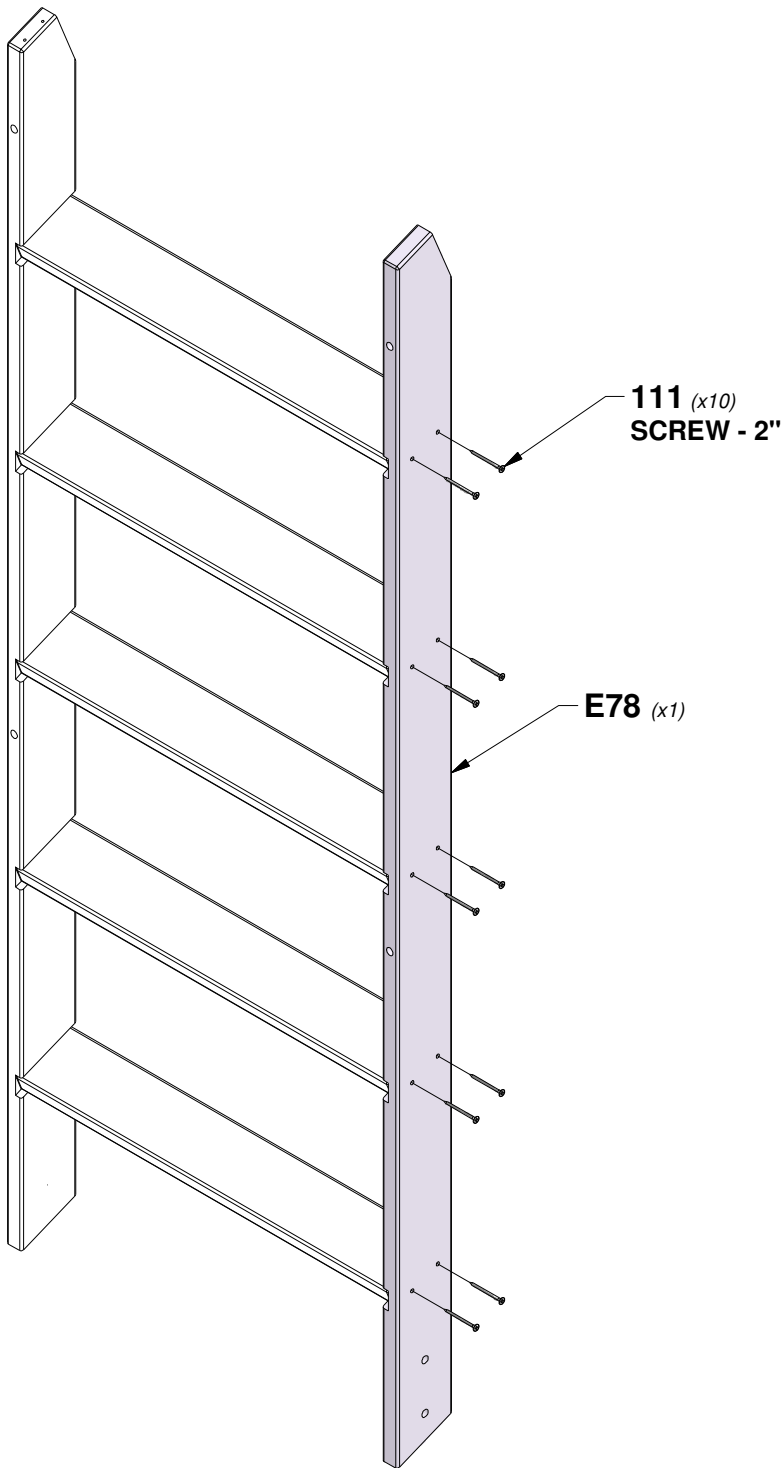


# STEP 2 - RW/LDR COMBO ASSY

QTY	PART NUMBER	DESCRIPTION
10	H100111	SCREW PFH 8x2

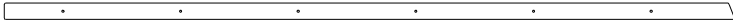


**E78** | LEFT UPRIGHT - W4L16734  
(x1) | 1"x3 3/8"x64 5/8" (24x86x1640)

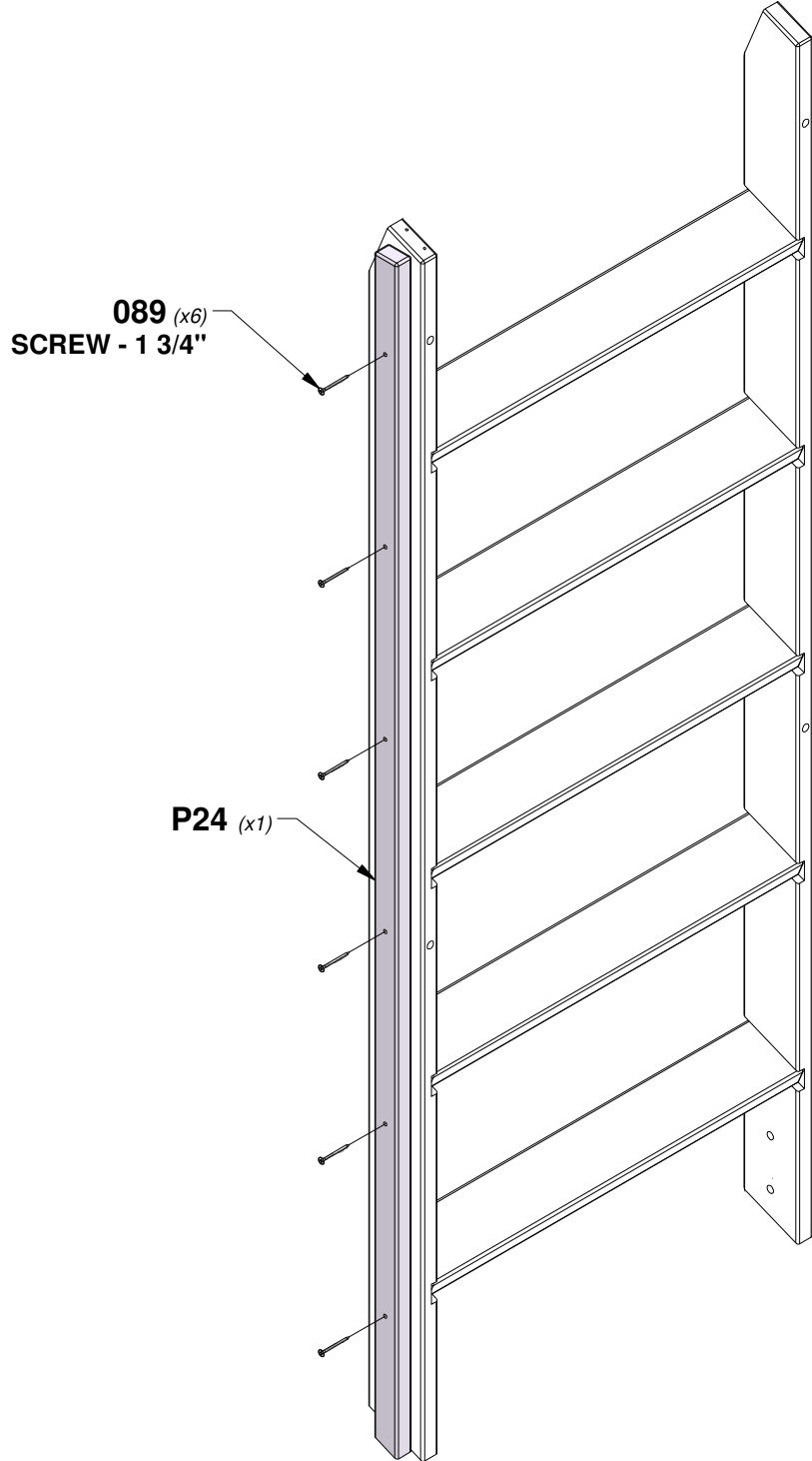


# STEP 3 - FORT ASSEMBLY

QTY	PART NUMBER	DESCRIPTION
6	H100089	SCREW PFH 8x1-3/4"

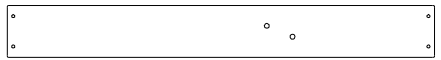


**P24** | ROCK WALL CLEAT - W4L16737  
(x1) | 1"x1 3/8"x63 1/2" (24x36x1612)



# STEP 4 - RW/LDR COMBO ASSY

QTY	PART NUMBER	DESCRIPTION
24	H100063	BOLT PTH 1/4x3/4
24	H100072	T-NUT 1/4
24	H100108	WASHER LOCK INT 8x15



**M75** | ROCK WALL BOARD - W4L16730  
(x4) | 5/8"x3 3/8"x27 7/8" (16x86x738)



**A6P00036** | GREEN HC ROCK #1  
(x6)



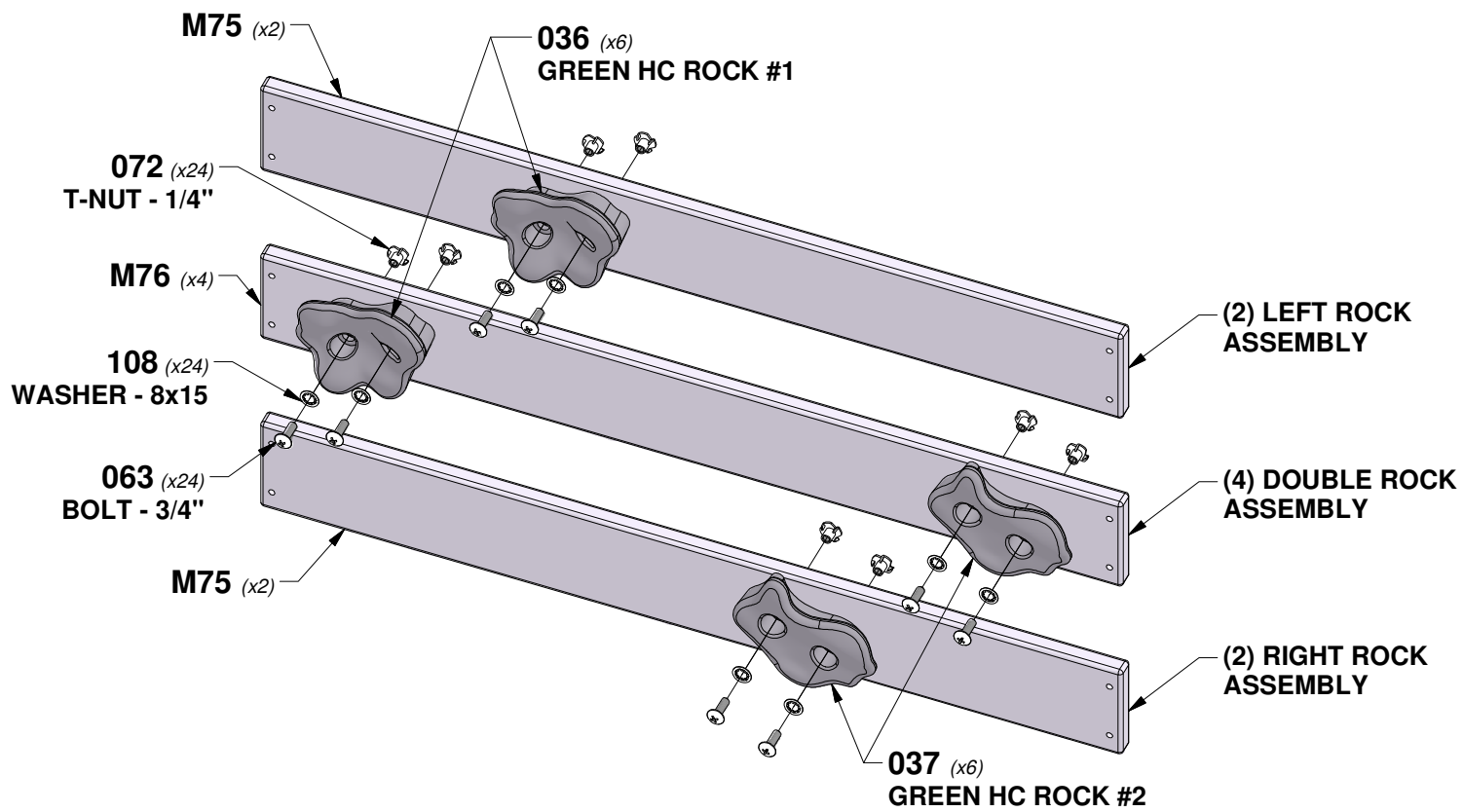
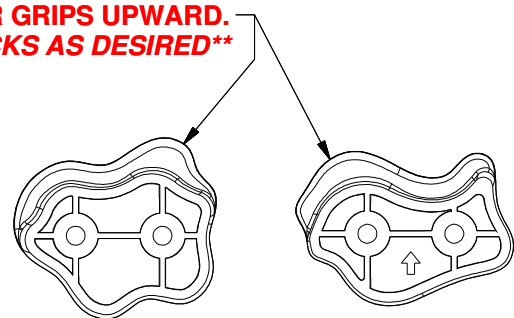
**M76** | ROCK WALL BOARD - W4L16731  
(x4) | 5/8"x3 3/8"x27 7/8" (16x86x738)



**A6P00037** | GREEN HC ROCK #2  
(x6)

**TIP:**  
INSTALL T-NUTS IN WOOD FIRST

**INSTALL WITH FINGER GRIPS UPWARD.**  
**\*\*PLACE ROCKS AS DESIRED\*\***

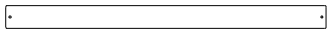


# STEP 5 - RW/LDR COMBO ASSY

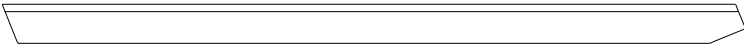
QTY	PART NUMBER	DESCRIPTION
74	H100086	SCREW PFH 8x1-1/2"



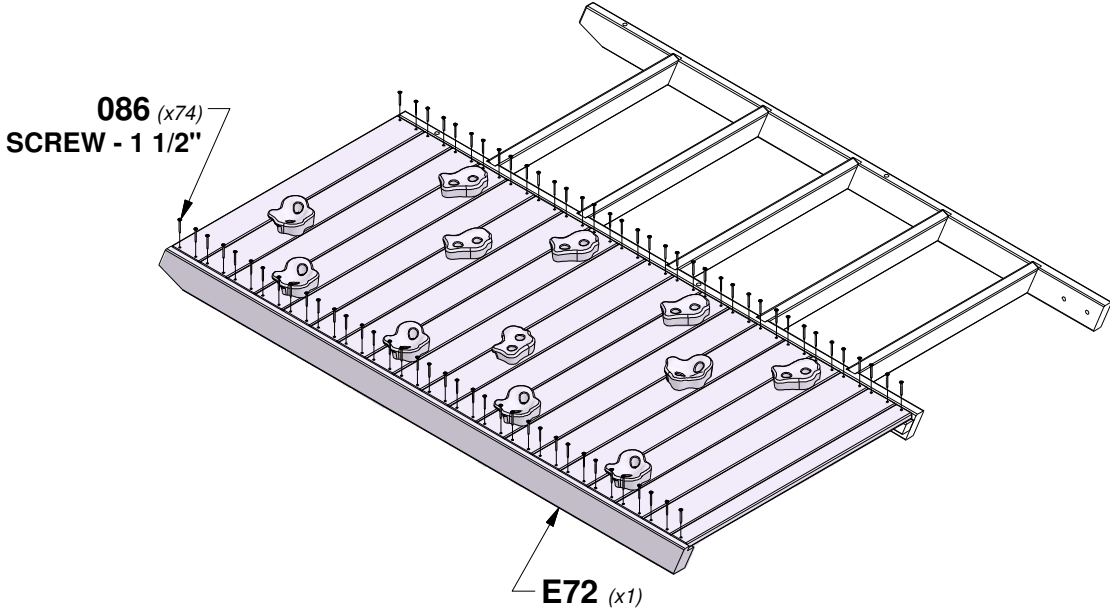
**M74** | ROCK WALL BOARD - W4L16729  
 (x10) | 5/8"x3 3/8"x27 7/8" (16x86x738)



**N11** | ROCK WALL BOARD - W4L16732  
 (x1) | 5/8"x2"x27 7/8" (16x50x738)

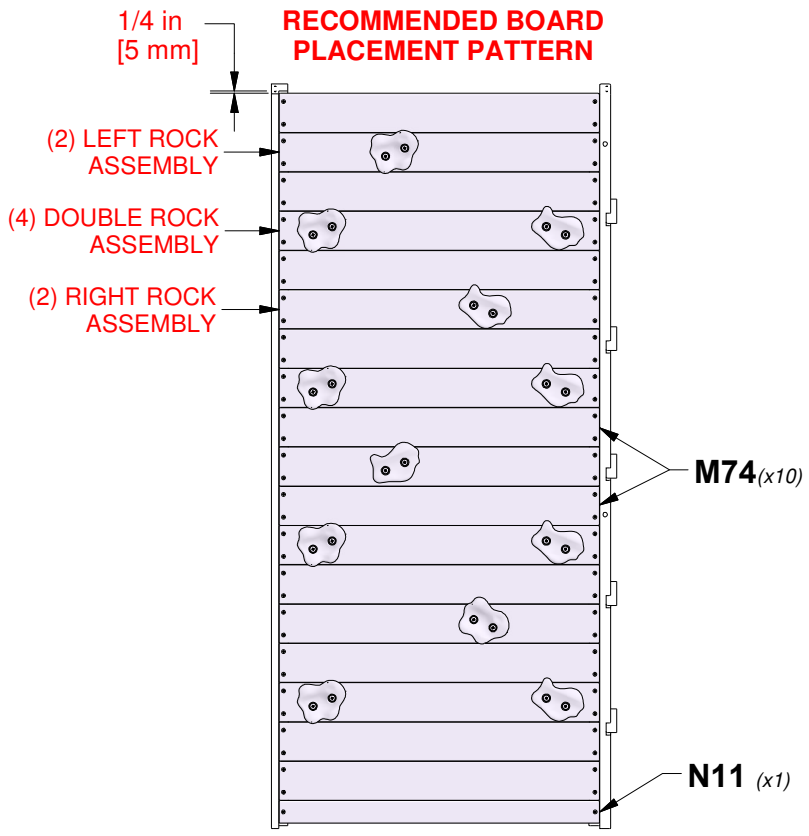


**E72** | ROCKWALL RAIL - W4L16727  
 (x1) | 1 3/8"x3 3/8"x64 5/8" (36x86x1640)



**TOP**

**RECOMMENDED BOARD  
 PLACEMENT PATTERN**



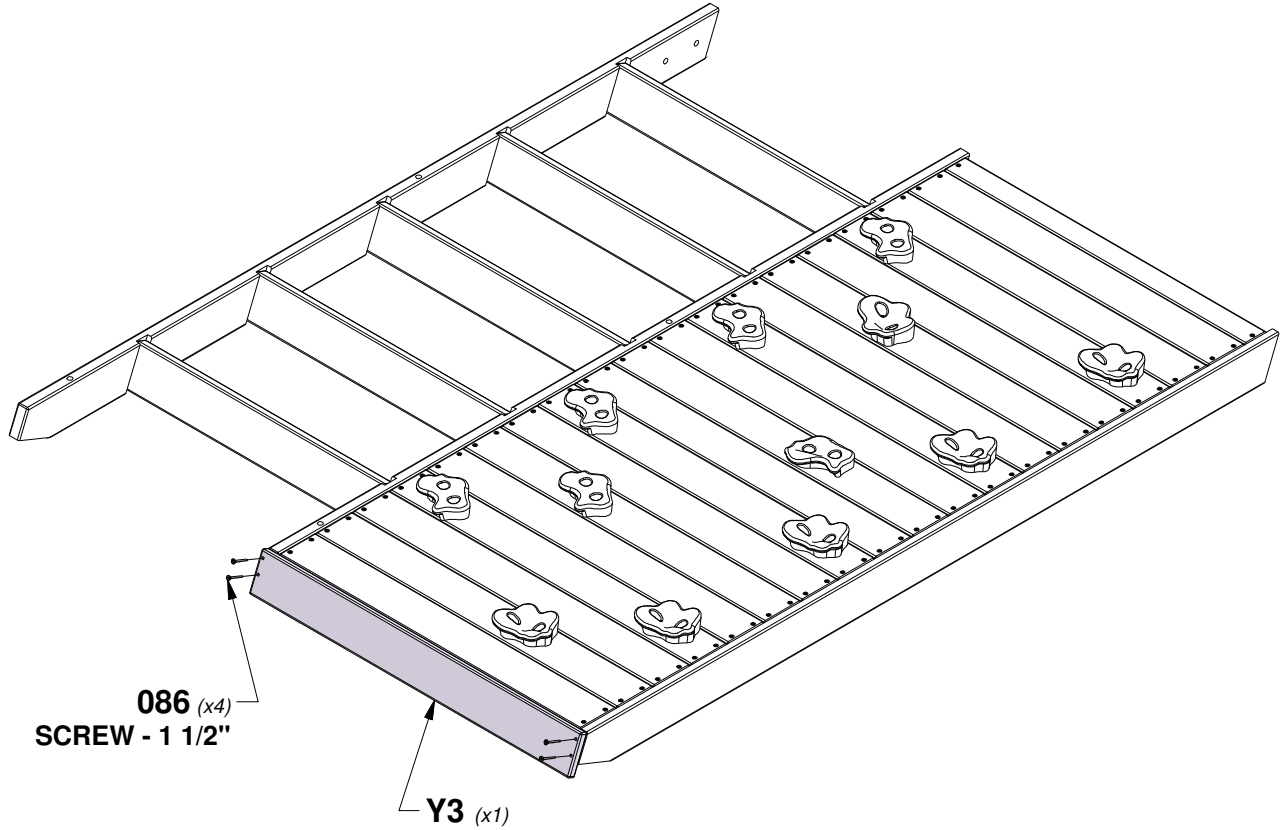


# STEP 6 - RW/LDR COMBO ASSY

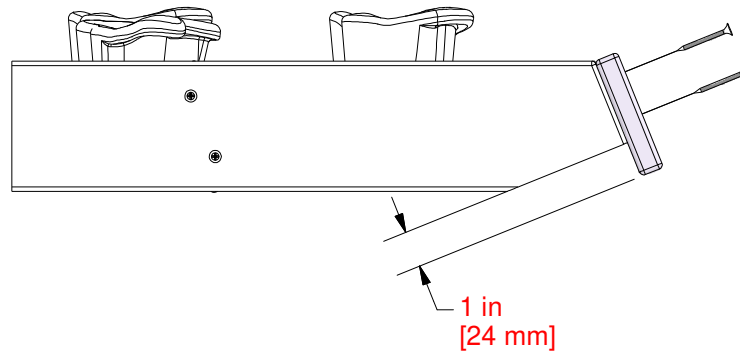
QTY	PART NUMBER	DESCRIPTION
4	H100086	SCREW PFH 8x1-1/2"



**Y3** | ROCK WALL END BOARD - W4L16728  
(x1) | 5/8"x3 1/4"x29 1/2" (16x82x779)



**SIDE VIEW**



# STEP 7 - RW/LDR COMBO ASSY

QTY	PART NUMBER	DESCRIPTION
6	H100089	SCREW PFH 8x1-3/4"
4	H100074	T-NUT 5/16
4	H100111	SCREW PFH 8x2

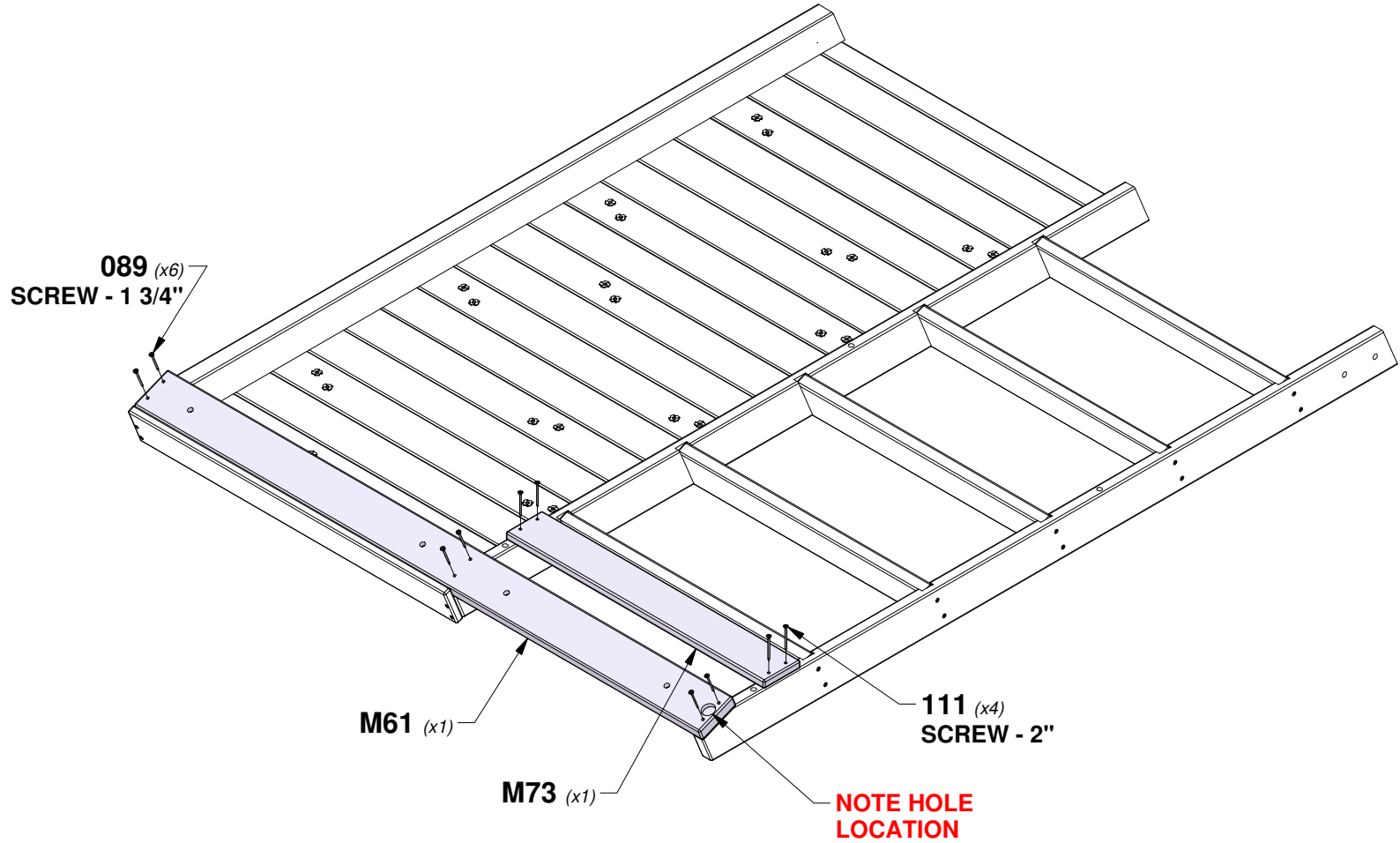
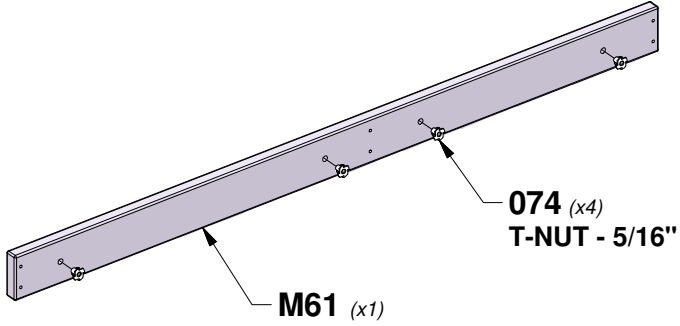


**M61** | ATTACHMENT BOARD - W4L16725  
(x1) | 1"x3 3/8"x52 1/2" (24x86x1334)



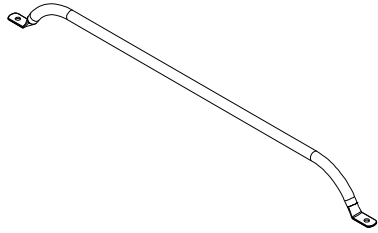
**M73** | REAR SUPPORT - W4L16735  
(x1) | 5/8"x3 3/8"x24" (16x86x579)

**TIP:**  
INSTALL T-NUTS IN WOOD FIRST



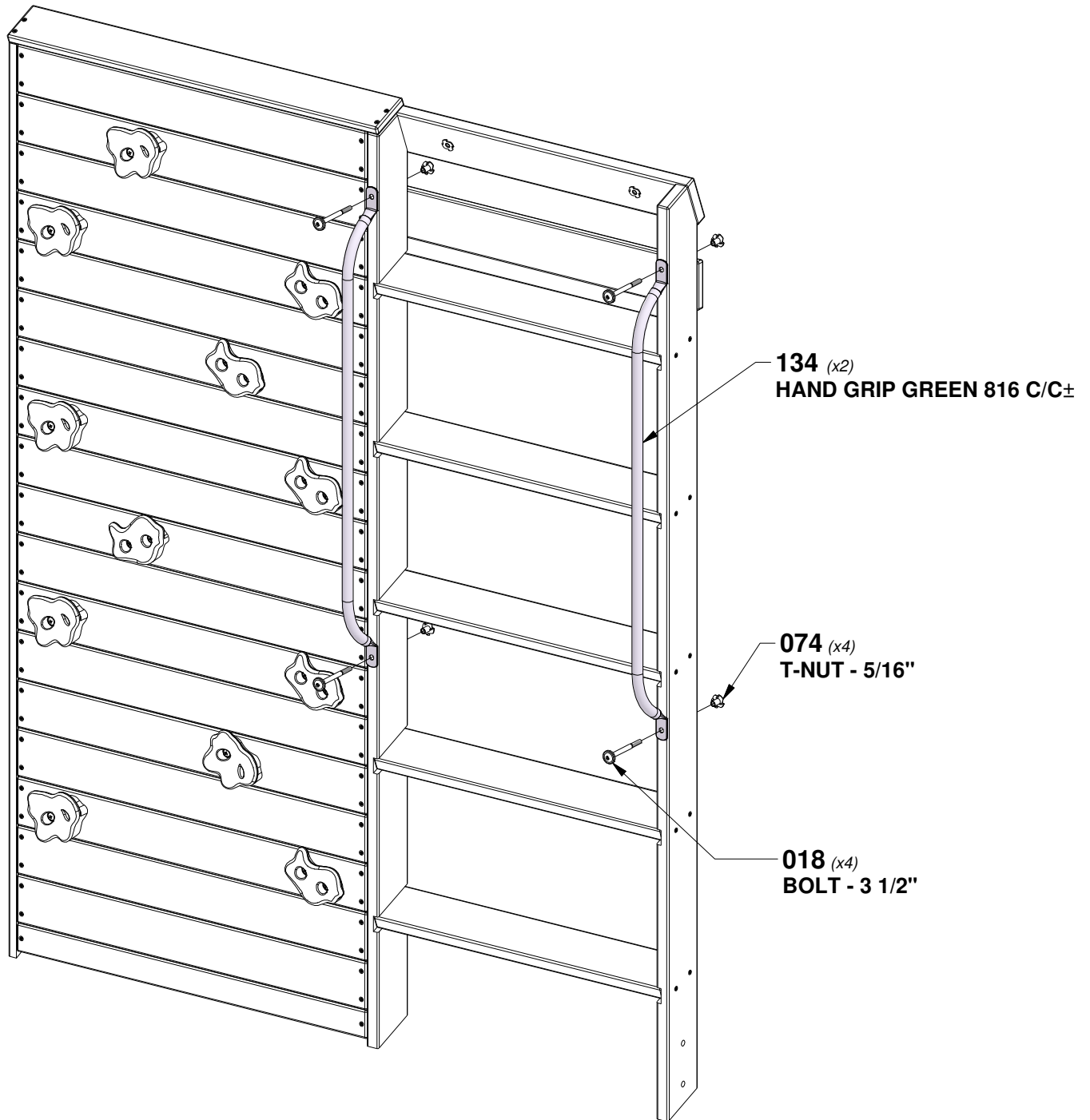
# STEP 8 - RW/LDR COMBO ASSY

QTY	PART NUMBER	DESCRIPTION
4	H100018	BOLT WH 5/16x3 1/2
4	H100074	T-NUT 5/16



**A100134** | **HAND GRIP GREEN 816 C/C**  
(x2)

**TIP:**  
**INSTALL T-NUTS IN WOOD FIRST**

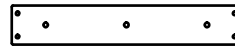


# STEP 1 - SLIDE

QTY	PART NUMBER	DESCRIPTION
3	H100074	T-NUT 5/16
3	H100115	BOLT WH 5/16x1/2



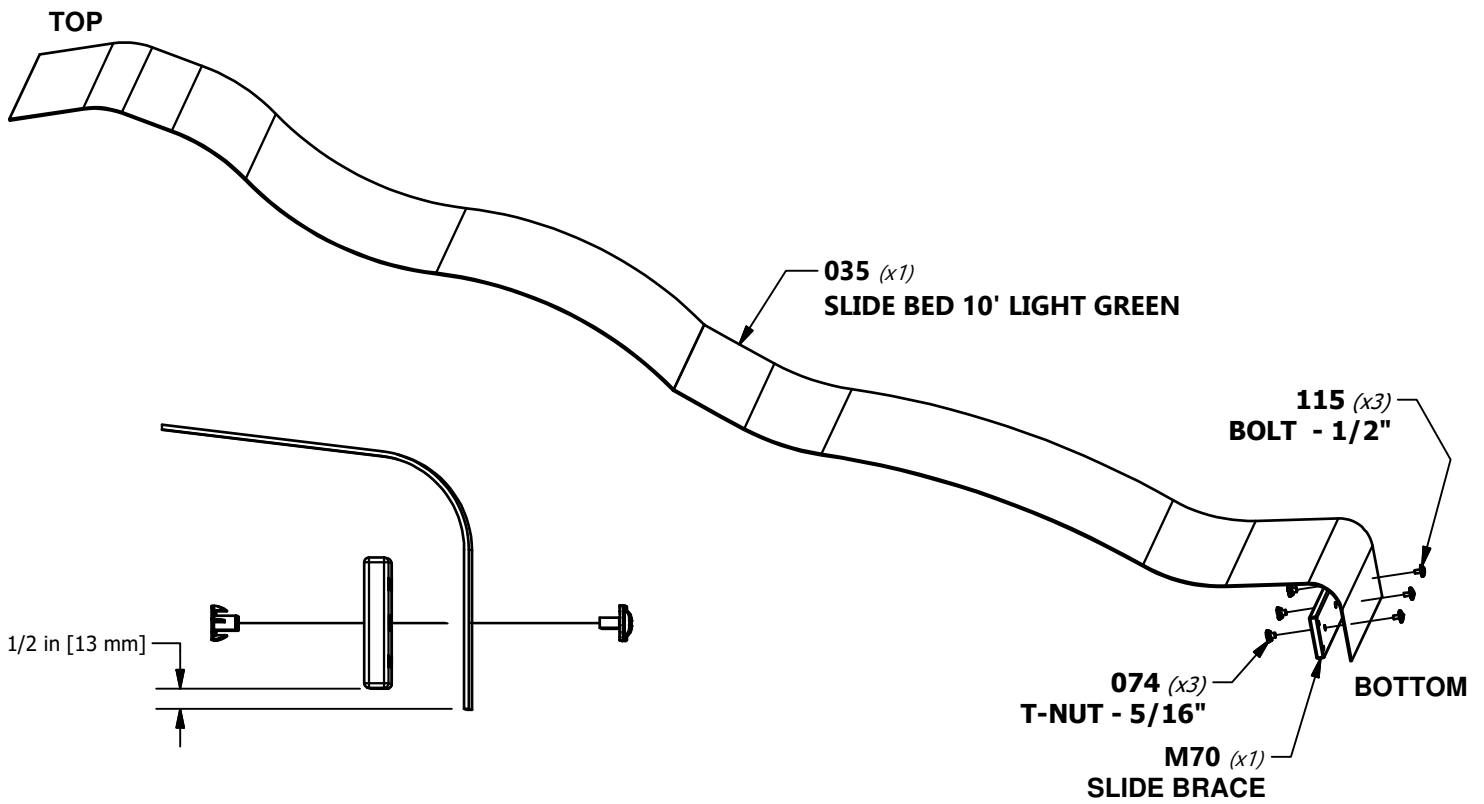
**A100035**  
(x1) | **SLIDE BED 10' LIGHT GREEN**



**M70**  
(x1) | **SLIDE SUPPORT BOARD - W100935**  
(5/8"x3 3/8"x19 7/8" (16x86x505))

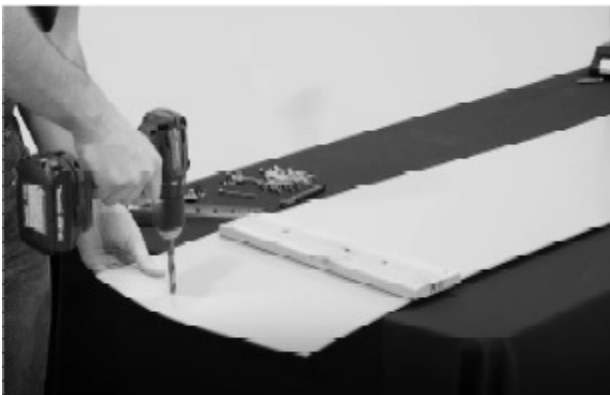
**NOTE:**

TAKE NOTE OF SLIDE BED SURFACE FINISH, THE DULL SIDE WILL BE TOWARDS THE GROUND. PLACE SLIDE BRACE CENTERED ON THE BOTTOM (DULL SIDE) AND 1/2" FROM THE EDGE. USE **M70** BOARD AS A TEMPLATE FOR DRILLING BOTTOM HOLE PATTERN IN SLIDE BED. USE A 5/16" DRILL BIT.



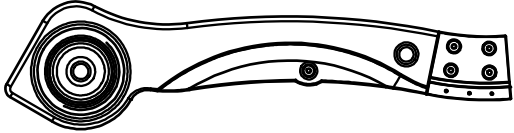
**TIP:**

PRE-BENDING THE ENDS WILL EASE ASSEMBLY. PLACING THE SLIDE BED OUT IN THE SUN MAKES IT EASIER TO BEND.

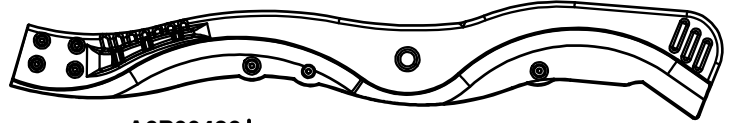


# STEP 2 - SLIDE

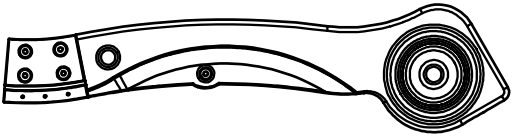
QTY	PART NUMBER	DESCRIPTION
8	H100006	NUT BARREL WH 5/16x1 1/2
8	H100115	BOLT WH 5/16x1/2



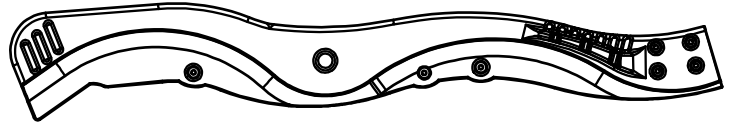
**A6P00484** | SLIDE RAIL 10' BOTTOM RIGHT GREEN  
(x1)



**A6P00486** | SLIDE RAIL 10' TOP RIGHT GREEN  
(x1)

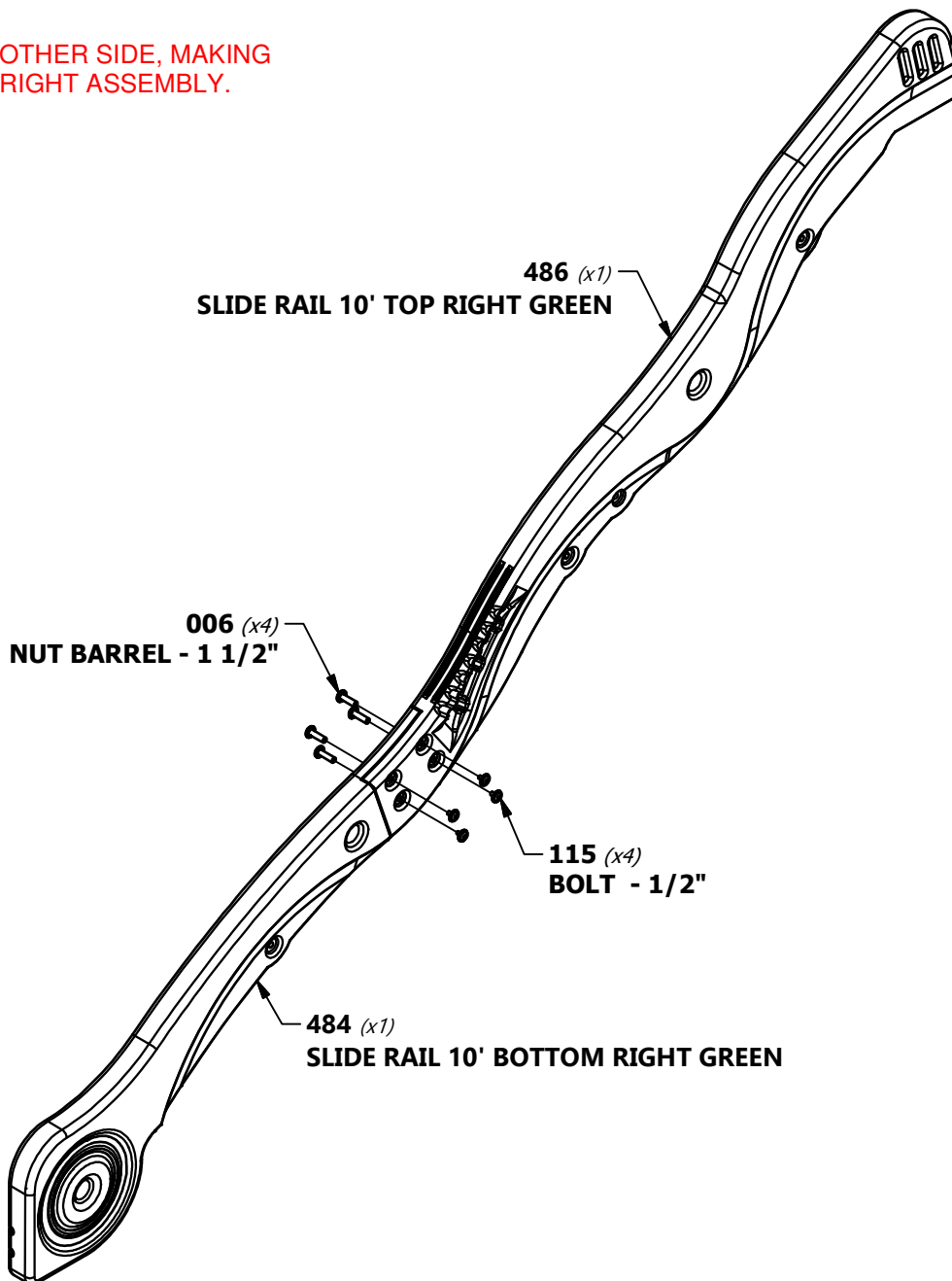


**A6P00483** | SLIDE RAIL 10' BOTTOM LEFT GREEN  
(x1)



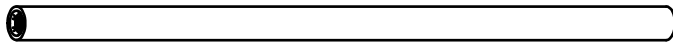
**A6P00485** | SLIDE RAIL 10' TOP LEFT GREEN  
(x1)

**NOTE:**  
REPEAT ON OTHER SIDE, MAKING  
A LEFT AND RIGHT ASSEMBLY.



# STEP 3 - SLIDE

QTY	PART NUMBER	DESCRIPTION
4	H100009	BOLT WH 5/16x1 1/4

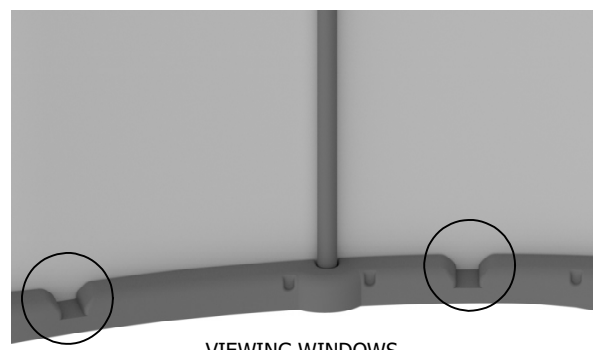
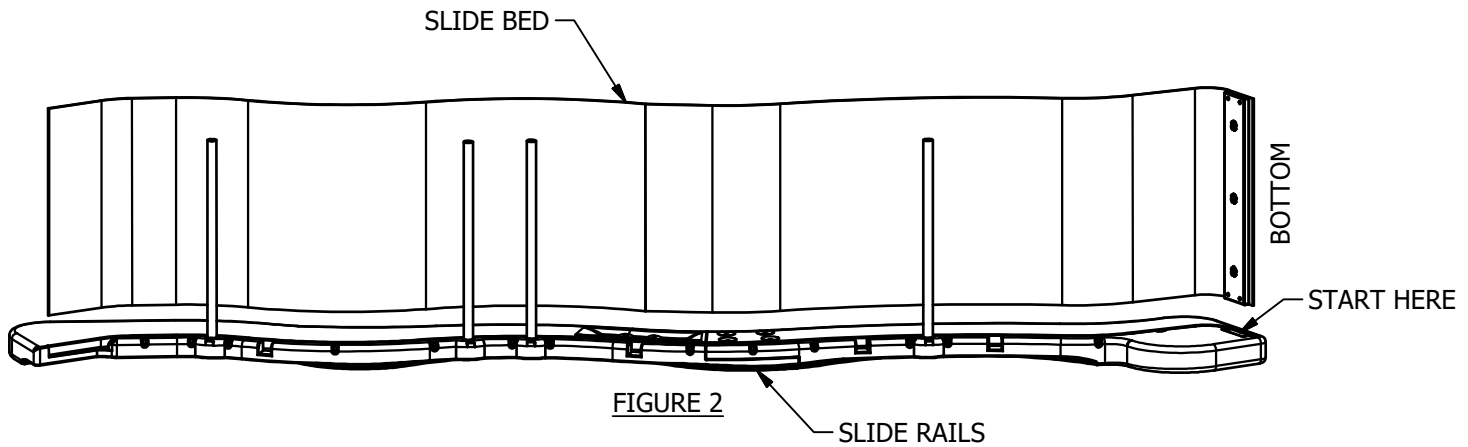
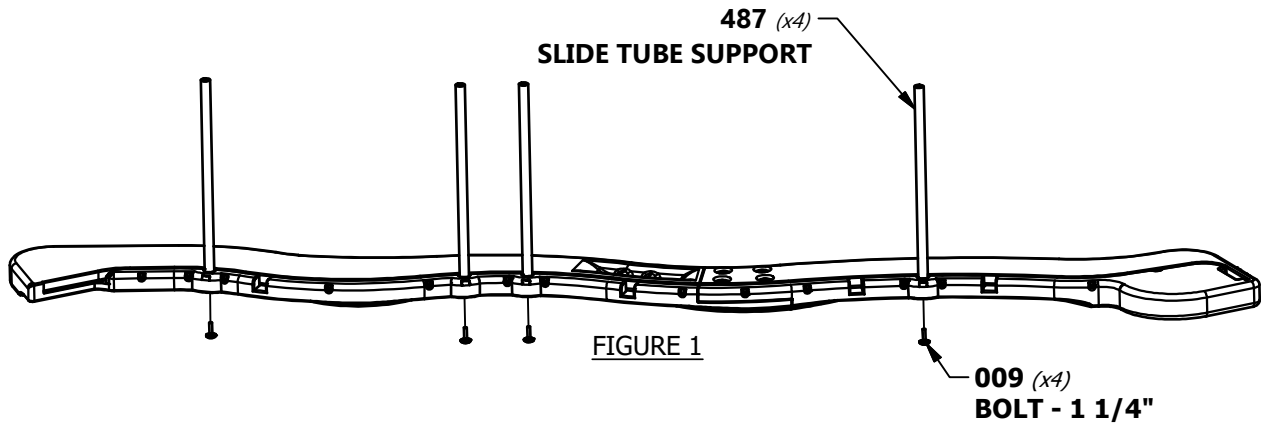


**A6P00487**  
(x4) | **SLIDE TUBE SUPPORT**

**NOTE:**  
INSERT THE (4) SLIDE SUPPORT TUBES INTO THEIR RESPECTIVE PILOT LOCATIONS (FIGURE 1).

PLACE (1) SLIDE RAIL ASSEMBLY ON A FLAT SURFACE AND BEGIN INSERTING SLIDE BED AT THE BOTTOM OF THE SLIDE RAIL (FIGURE 2). HAVE A HELPER BEND THE SLIDE BED TOWARDS THE TOP OF THE SLIDE AND INSERT THE BED INTO THE SLIDE CAVITY. MAKE SURE SLIDE BED IS INSERTED WITHIN 1/8" (3mm) OF GROOVE BOTTOM.

**TIP:**  
A HELPER IS RECOMMENDED FOR THESE FOLLOWING STEPS.



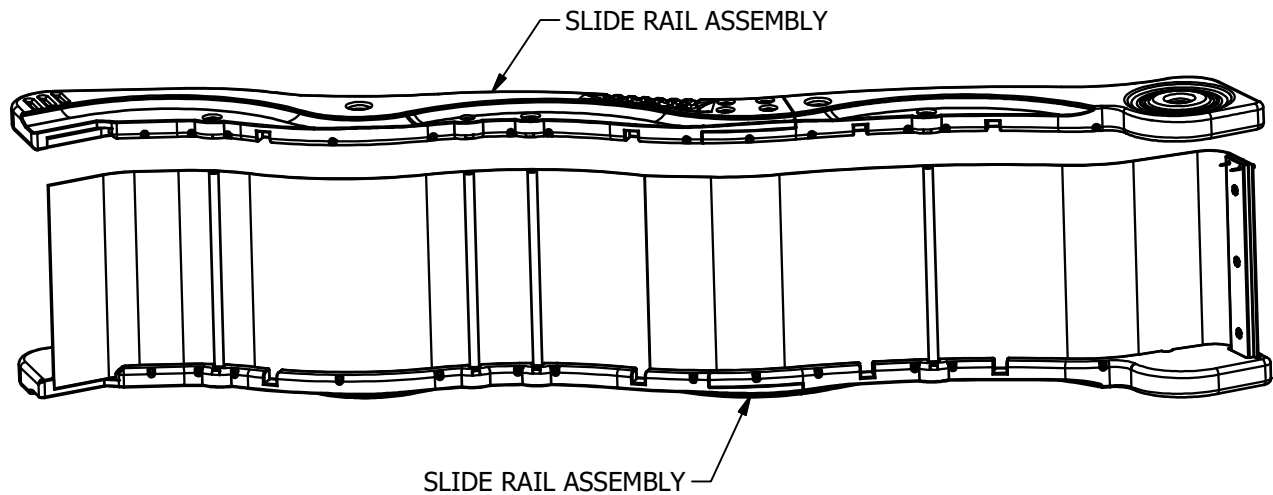
# STEP 4 - SLIDE

**NOTE:**

PLACE SECOND SLIDE RAIL ASSEMBLY OVER THE TOP OF THE SLIDE BED AND SLIDE SUPPORT TUBES. INSERT THE SLIDE BED AND SLIDE SUPPORT TUBES INTO THE SLIDE CAVITY. MAKE SURE SLIDE BED IS INSERTED WITHIN 1/8" (3mm) OF GROOVE BOTTOM.



**FAILURE TO INSERT SLIDE BED PROPERLY MAY RESULT IN INJURY OR AMPUTATION. EXPOSED SLIDE EDGES CAN BE SHARP AND BECOME A LACERATION HAZARD IF THE SLIDE IS NOT PROPERLY ASSEMBLED.**



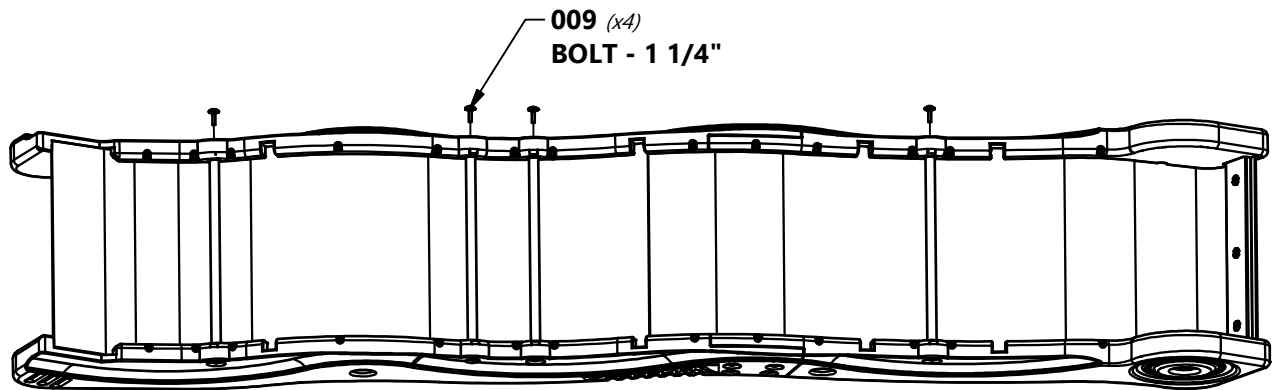
**TIP:**  
USE A RUBBER Mallet TO FULLY SEAT THE SLIDE BED INTO THE SLIDE CAVITY.

# STEP 5 - SLIDE

QTY	PART NUMBER	DESCRIPTION
4	H100009	BOLT WH 5/16x1 1/4

NOTE:  
USE 1 1/4" BOLTS TO FASTEN EACH  
SIDE OF THE SLIDE SUPPORT TUBES.

TIP:  
HAVING A HELPER HOLD THE SLIDE  
ASSEMBLY TOGETHER WHILE YOU FASTEN  
WILL MAKE IT EASIER TO ASSEMBLE.

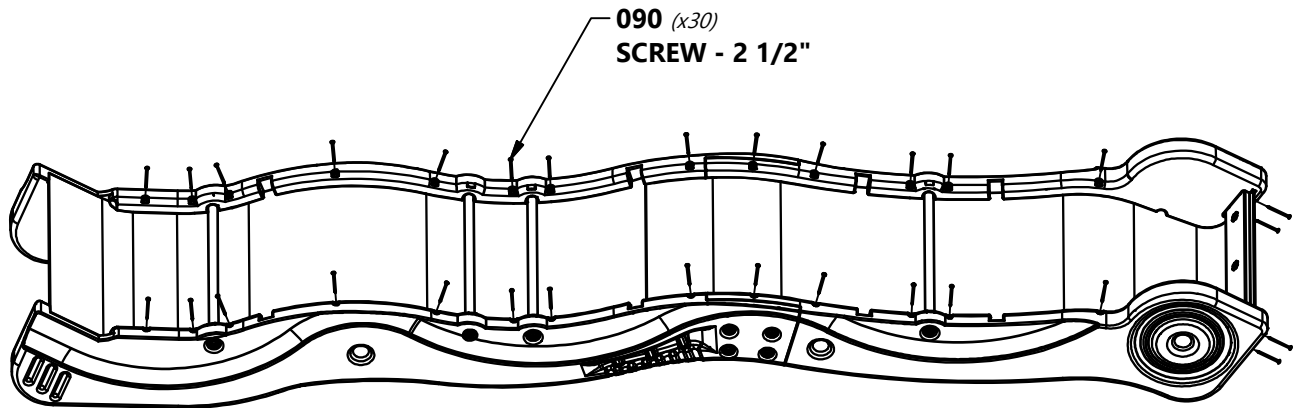




# STEP 6 - SLIDE

QTY	PART NUMBER	DESCRIPTION
30	H100090	SCREW PFH 8x2 1/2

**NOTE:**  
USING AN 1/8" DRILL BIT, DRILL PILOT HOLES IN EACH INDENTATION  
ALONG EACH SIDE RAIL. THERE SHOULD BE 15 INDENTATIONS ON  
EACH RAIL. BE SURE TO DRILL THROUGH THE SLIDE RAIL AND THE  
SLIDE BED. THEN SECURE WITH THE PROVIDED HARDWARE.

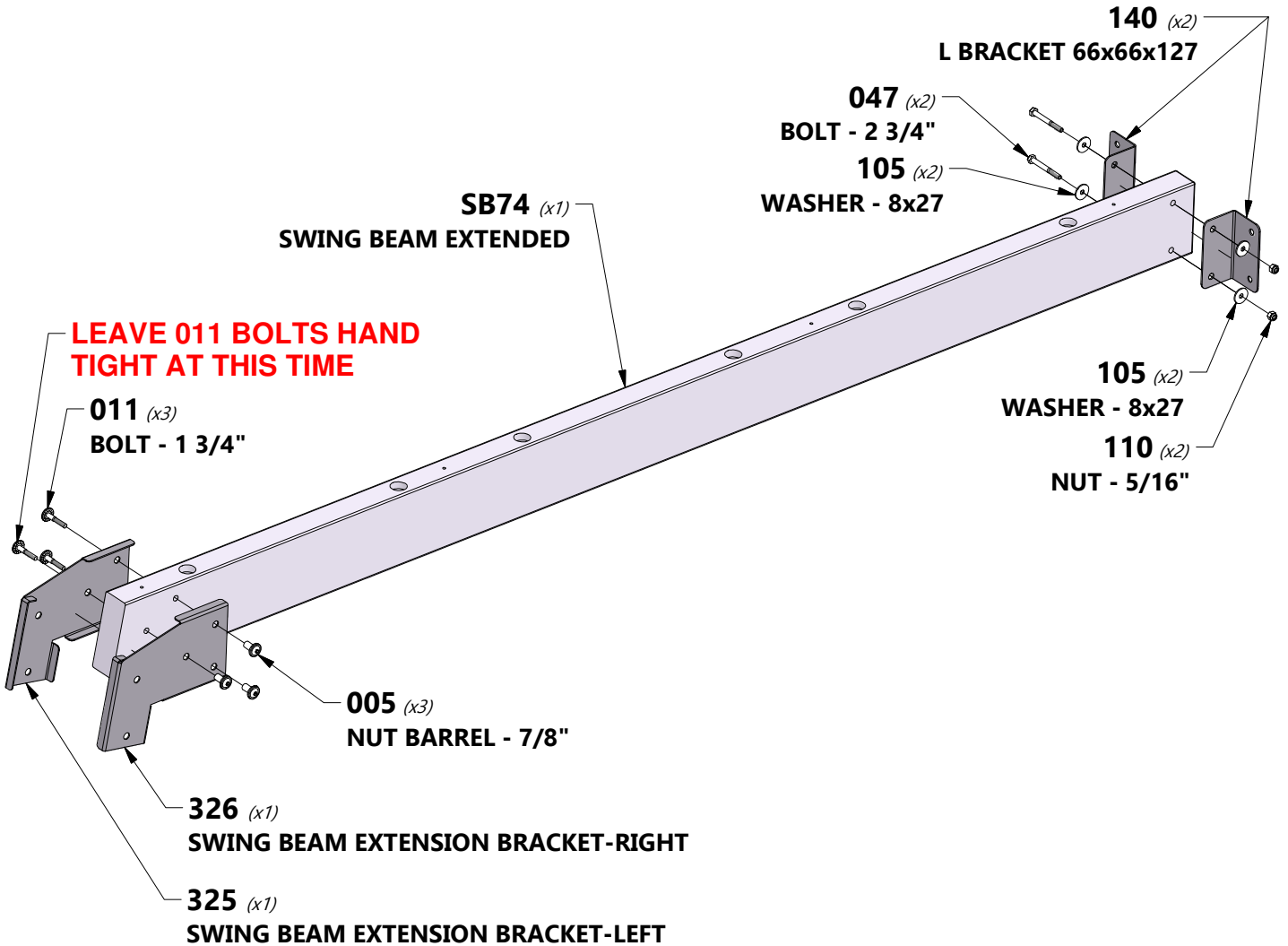
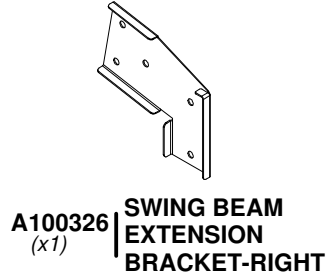
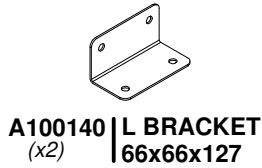
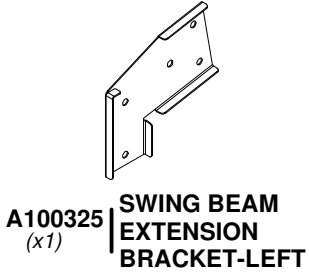


# STEP 1 - SWING BEAM ASSEMBLY

QTY	PART NUMBER	DESCRIPTION
3	H100005	NUT BARREL WH 5/16x7/8
3	H100011	BOLT WH 5/16x1 3/4
2	H100047	BOLT HEX 5/16x2-3/4
4	H100105	WASHER FLAT 8x27
2	H100110	NUT LOCK 5/16

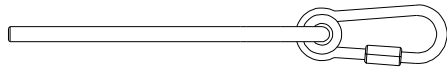


**SB74** | SWING BEAM EXTENDED - W4L14650  
(x1) | 2"x5 1/4"x89 1/2" (50x134x2274)

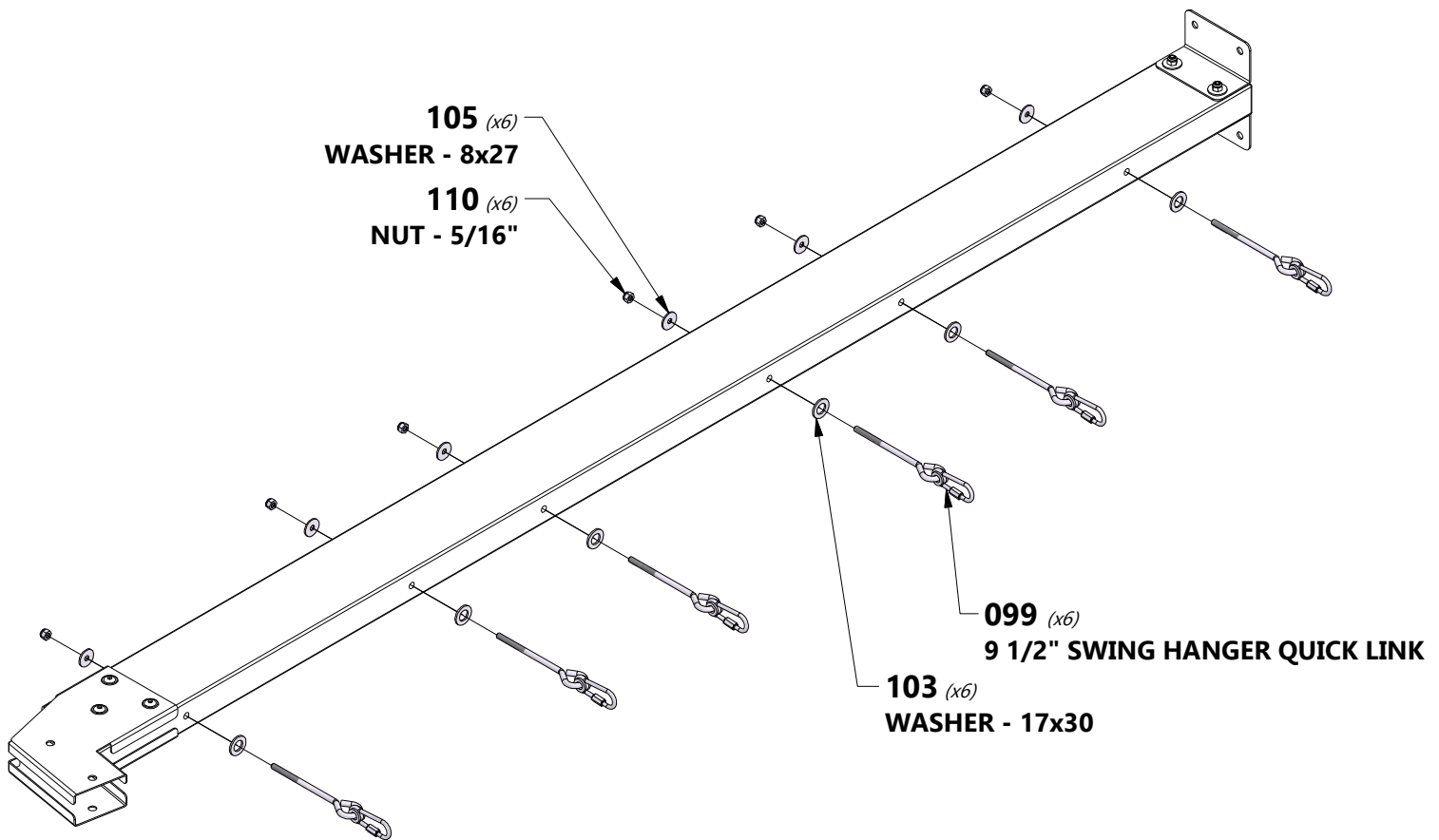
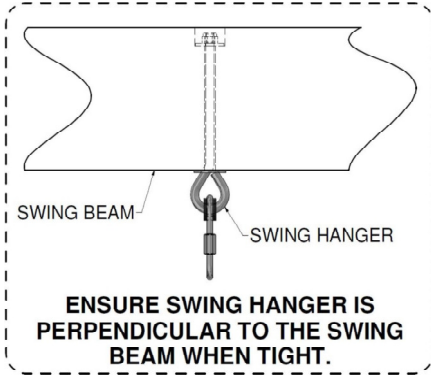


# STEP 2 - SWING BEAM ASSEMBLY

QTY	PART NUMBER	DESCRIPTION
6	H100103	WASHER SAFETY 17x30
6	H100110	NUT LOCK 5/16
6	H100105	WASHER FLAT 8x27



**H100099 | SWING HANGER**  
(x6) 5/16x9 1/2

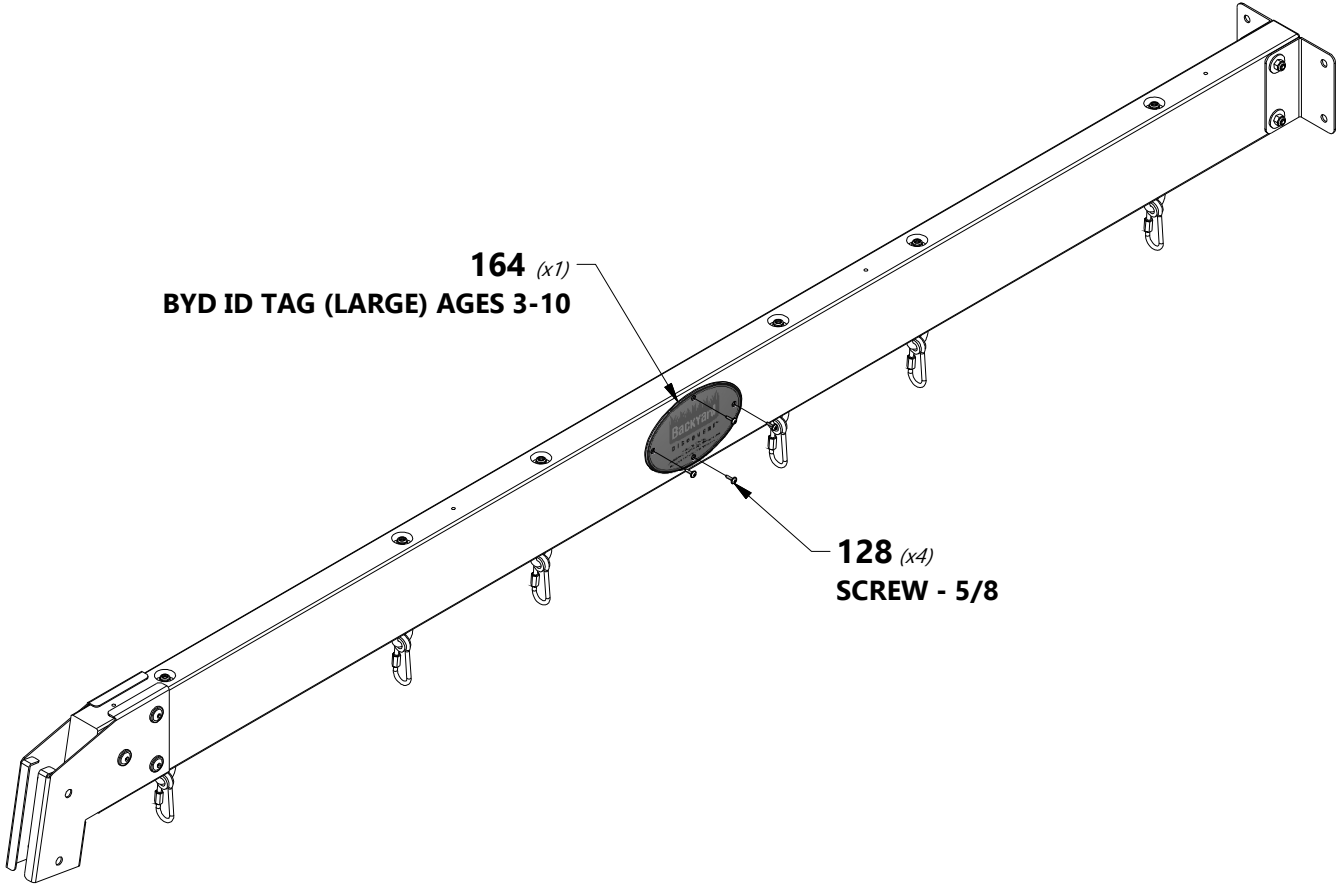


# STEP 3 - SWING BEAM ASSEMBLY

QTY	PART NUMBER	DESCRIPTION
4	H100128	SCREW PWH 8x5/8



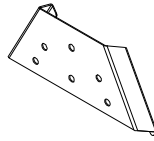
A100164 | BYD ID TAG  
(x1)



# STEP 4 - SWING BEAM ASSEMBLY

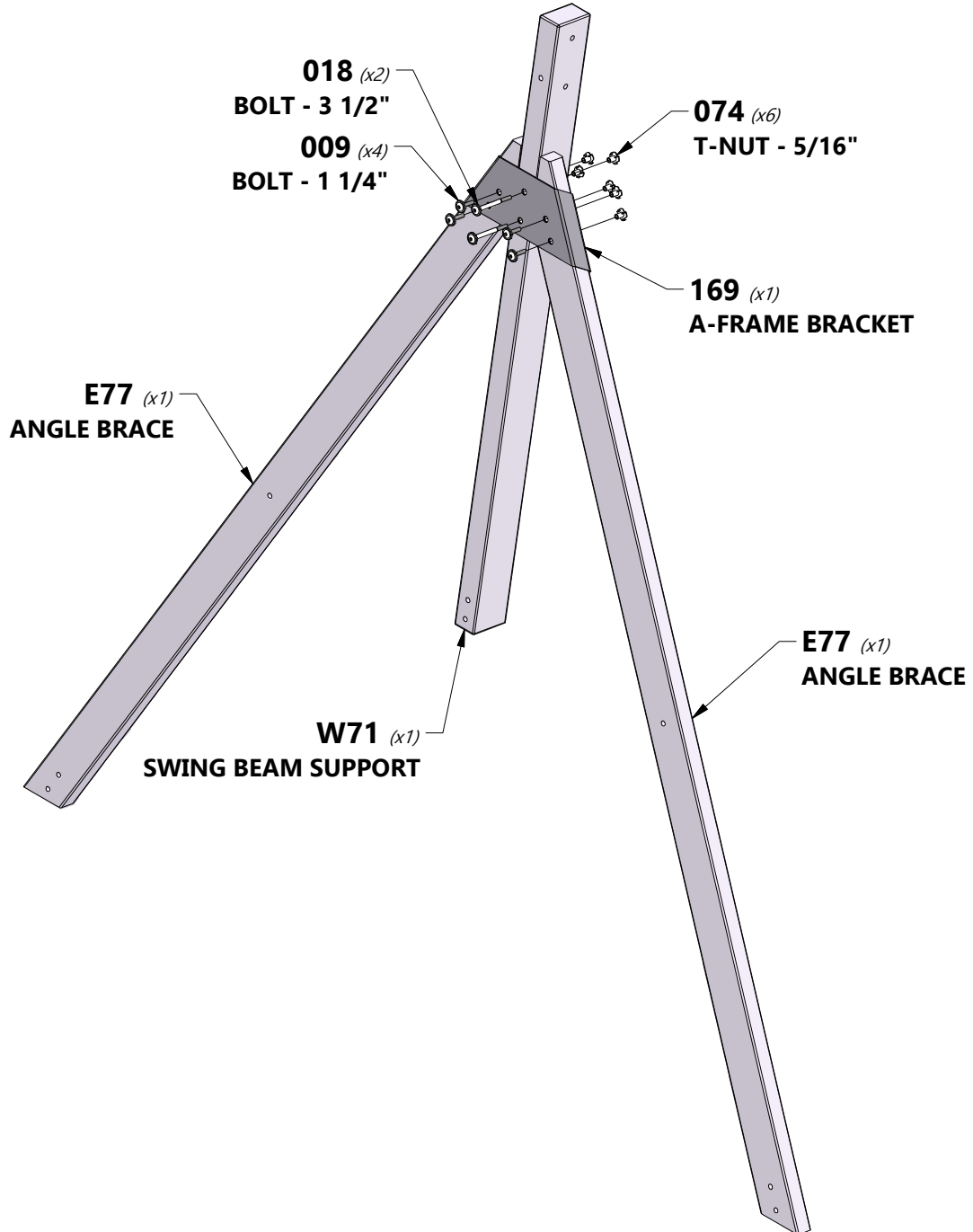
QTY	PART NUMBER	DESCRIPTION
4	H100009	BOLT WH 5/16x1 1/4
2	H100018	BOLT WH 5/16x3 1/2
6	H100074	T-NUT 5/16

**W71** | SWING BEAM SUPPORT - W4L14654  
 (x1) | 2"x3 3/8"x50 3/8" (50x86x1280)



**A4M01169** | A-FRAME BRACKET  
 (x1)

**E77** | ANGLE BRACE - W4L14652  
 (x2) | 1 3/8"x3 3/8"x81" (36x86x2056)

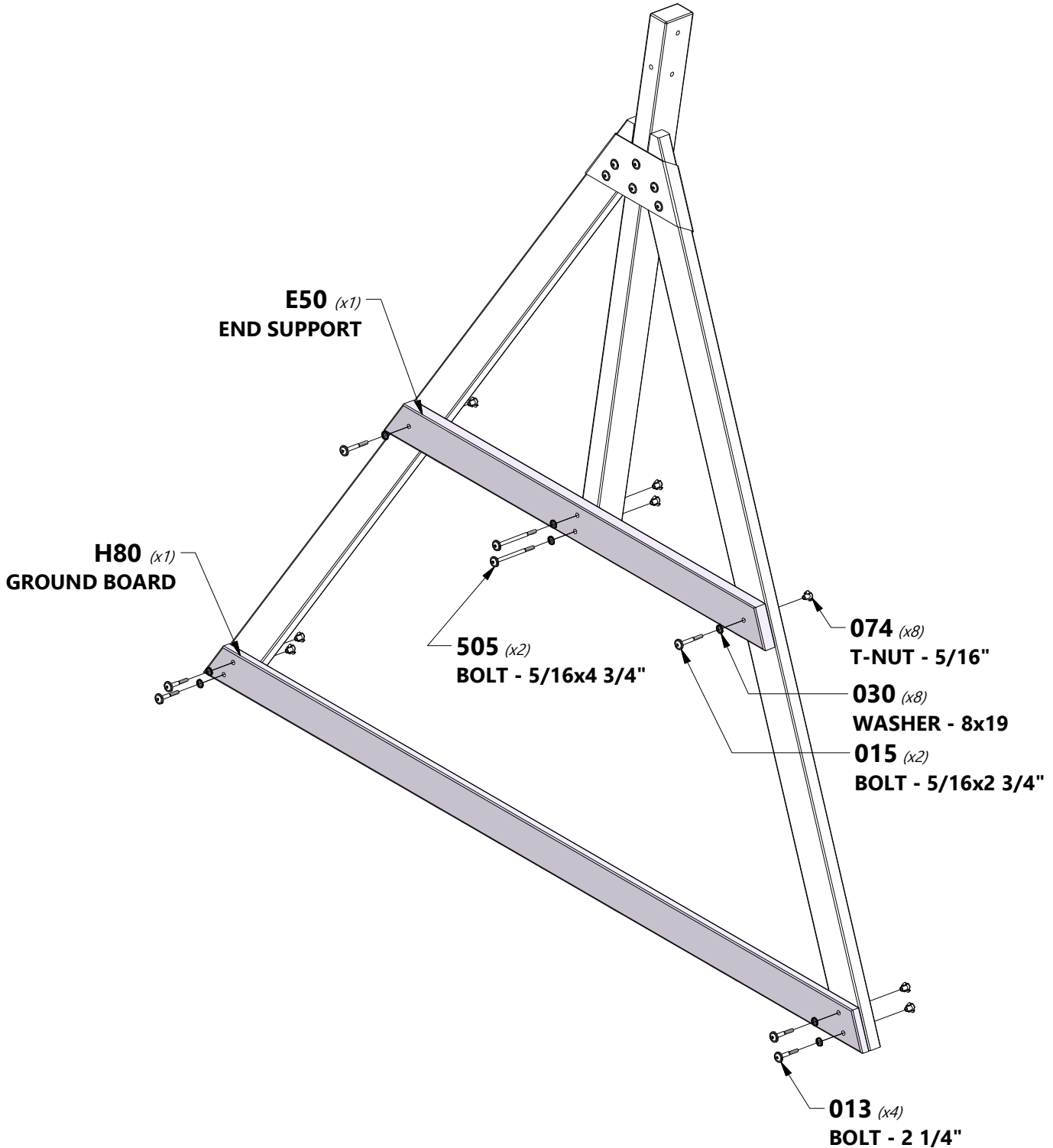


# STEP 5 - SWING BEAM ASSEMBLY

**E50** | END SUPPORT - W4L14651  
 (x1) | 1 1/2"x3 1/2"x46" (36x86x1168)

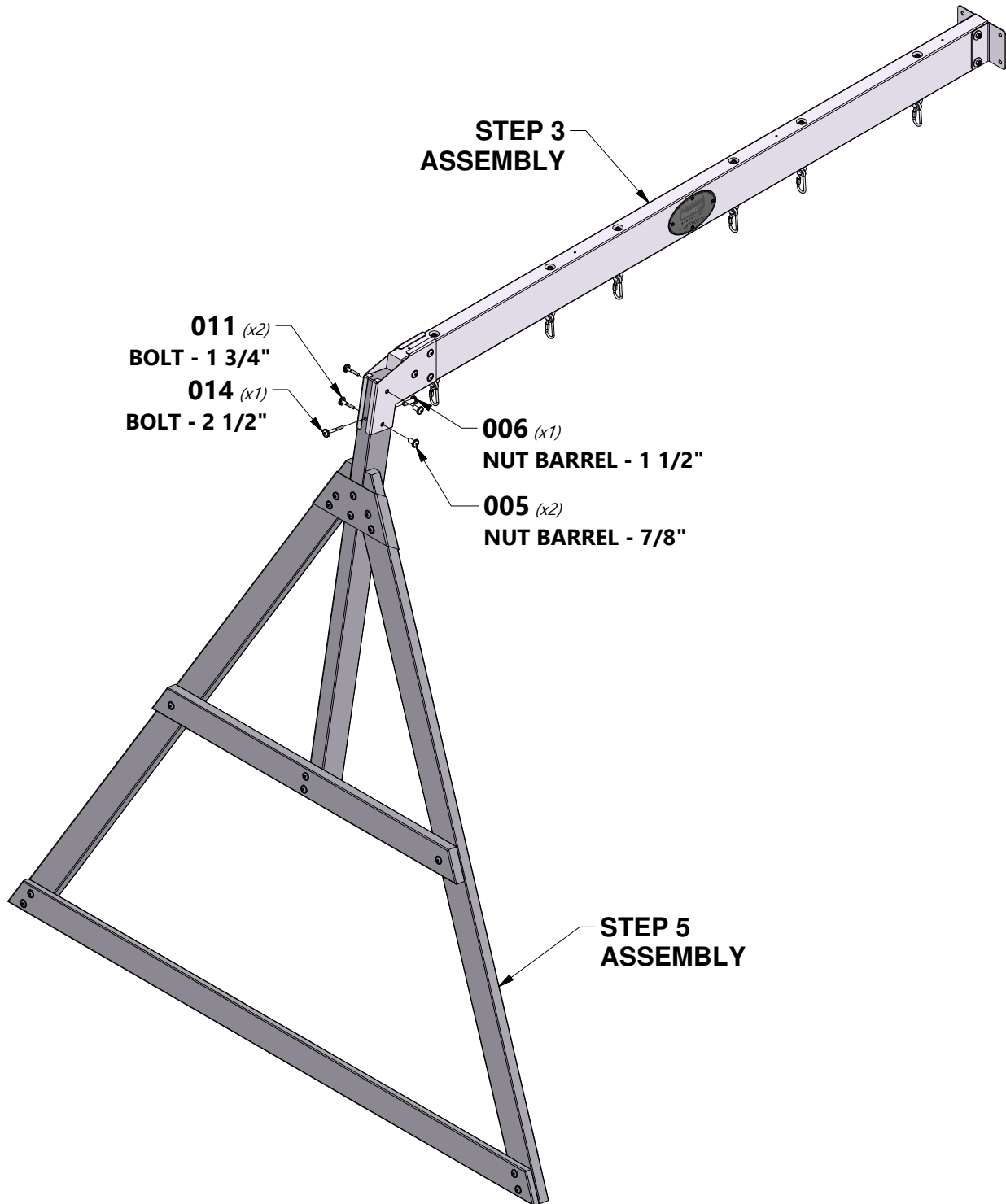
**H80** | GROUND BOARD - W4L14653  
 (x1) | 1"x3 3/8"x79 1/2" (24x86x2018)

QTY	PART NUMBER	DESCRIPTION
4	H100013	BOLT WH 5/16x2 1/4
8	H100030	WASHER LOCK EXT 8x19
8	H100074	T-NUT 5/16
2	H100015	BOLT WH 5/16x2 3/4
2	H100505	BOLT WH 5/16x4 3/4



# STEP 6 - SWING BEAM ASSEMBLY

QTY	PART NUMBER	DESCRIPTION
2	H100005	NUT BARREL WH 5/16x7/8
1	H100006	NUT BARREL WH 5/16x1 1/2
2	H100011	BOLT WH 5/16x1 3/4
1	H100014	BOLT WH 5/16x2 1/2



# STEP 1 - FORT ASSEMBLY

QTY	PART NUMBER	DESCRIPTION
8	H100012	BOLT WH 5/16x2
12	H100013	BOLT WH 5/16x2 1/4
20	H100030	WASHER LOCK EXT 8x19
24	H100074	T-NUT 5/16



**E2** | UPRIGHT W/TAG - W2A03468  
(x1) | 1 3/8"x3 3/8"x89 1/2" (36x86x2272)



**E3** | UPRIGHT - W4L16745  
(x1) | 1 3/8"x3 3/8"x89 1/2" (36x86x2272)



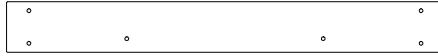
**G11** | GROUND BOARD - W4L16738  
(x1) | 1"x5 1/4"x73 1/4" (24x134x1860)



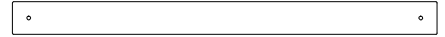
**H9** | FLOOR RAIL - W104112  
(x1) | 1"x3 3/8"x46 1/8" (24x86x1172)



**G8** | SWING BEAM MOUNTING BOARD - W104119  
(x1) | 1"x5 1/4"x44 1/4" (24x134x1124)

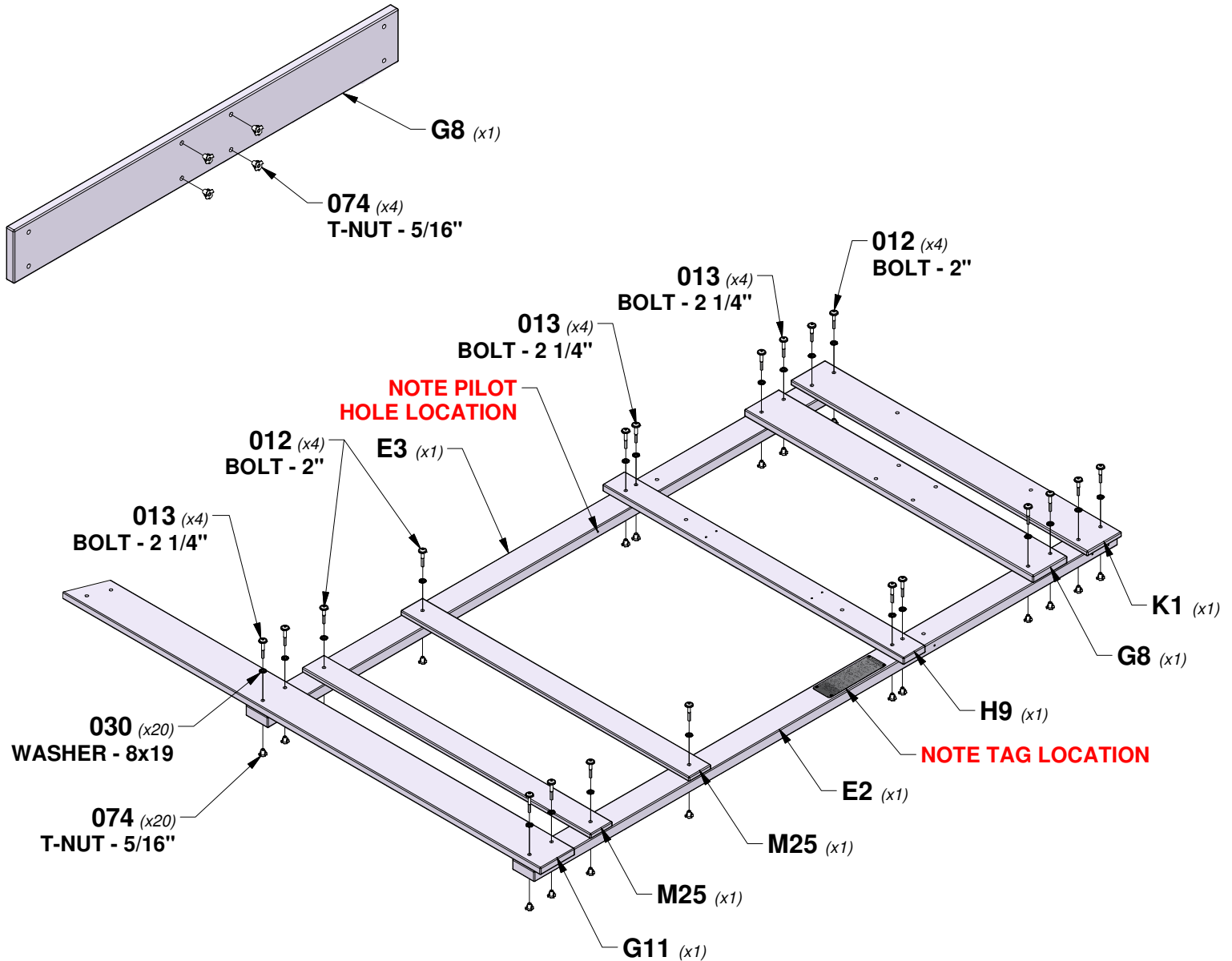


**K1** | UPPER WALL RAIL - W104116  
(x1) | 5/8"x5 1/4"x45 1/2" (16x134x1156)



**M25** | WALL RAIL - W104162  
(x2) | 5/8"x3 3/8"x44 1/4" (16x86x1124)

**TIP:**  
INSTALL T-NUTS IN WOOD FIRST





# STEP 2 - FORT ASSEMBLY

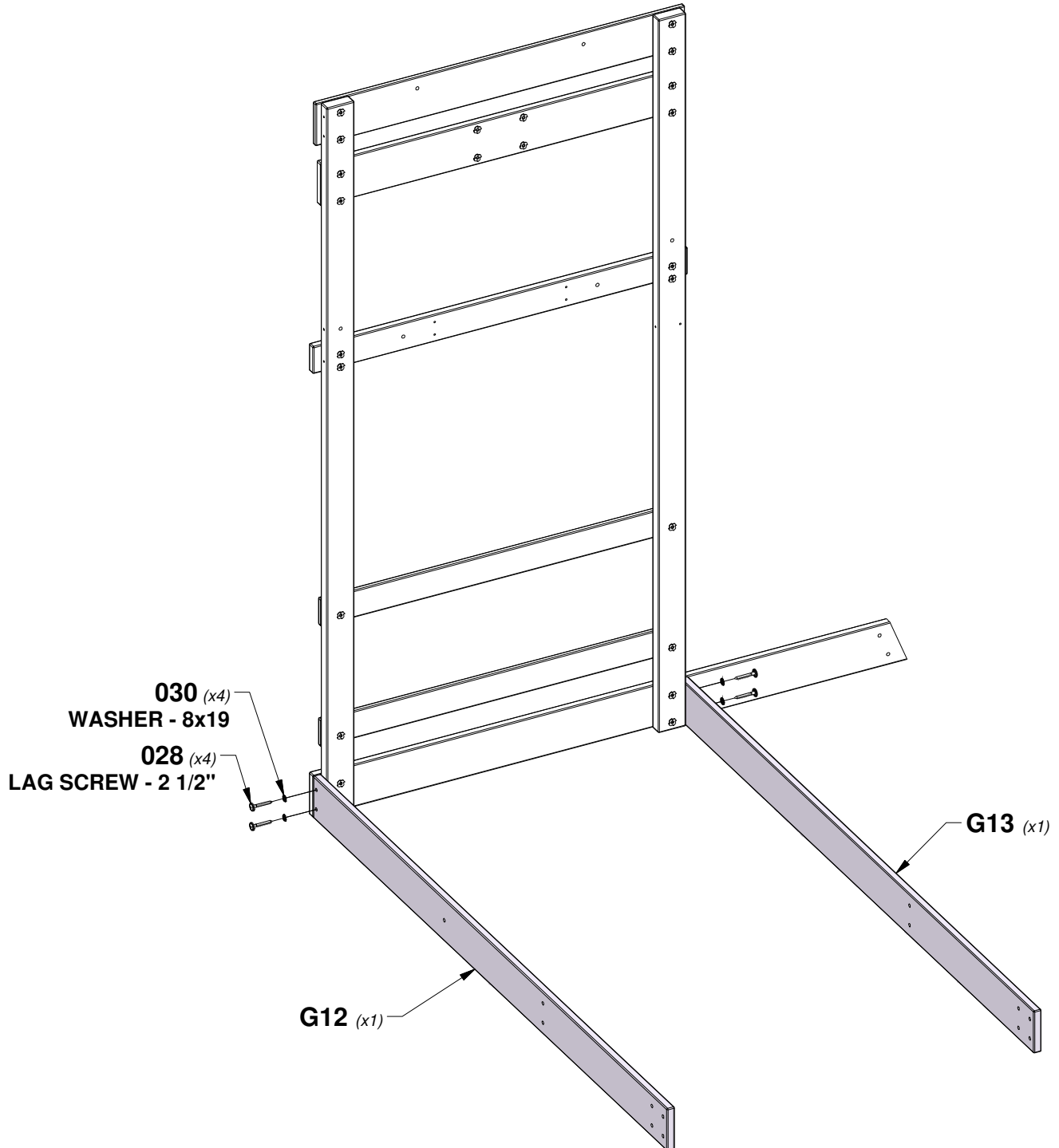
QTY	PART NUMBER	DESCRIPTION
4	H100028	LAG SCREW WH 5/16x2 1/2
4	H100030	WASHER LOCK EXT 8x19



**G12** | GROUND BOARD - W104105  
(x1) | 1"x5 1/4"x82" (24x134x2084)



**G13** | GROUND BOARD - W104106  
(x1) | 1"x5 1/4"x82" (24x134x2084)

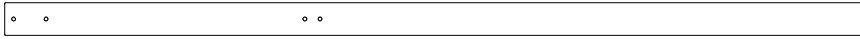


# STEP 3 - FORT ASSEMBLY

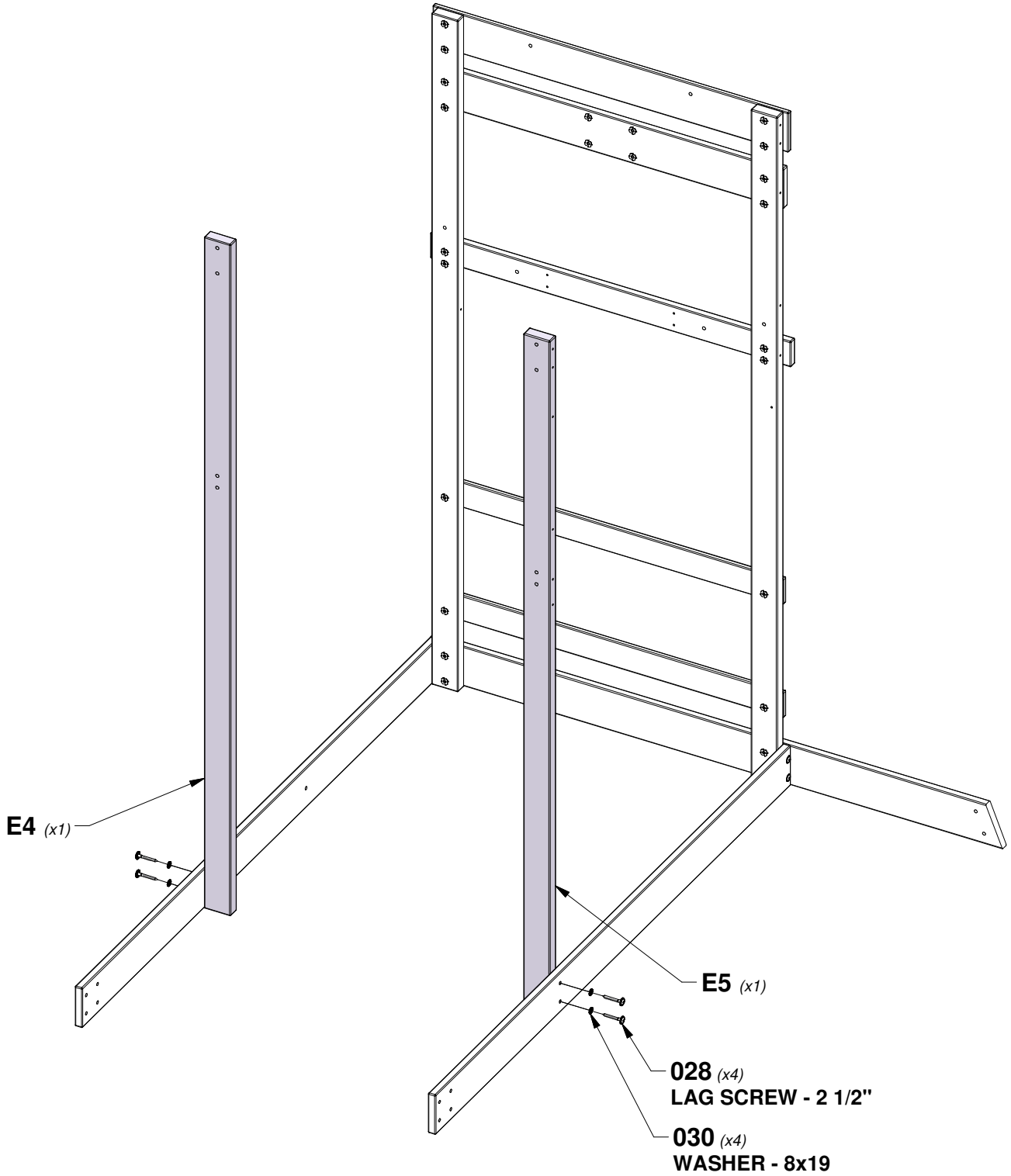
QTY	PART NUMBER	DESCRIPTION
4	H100028	LAG SCREW WH 5/16x2 1/2
4	H100030	WASHER LOCK EXT 8x19



**E4 | UPRIGHT - W4L17481**  
(x1) | 1 3/8"x3 3/8"x89 1/2" (36x86x2272)

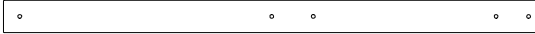


**E5 | UPRIGHT - W4L16747**  
(x1) | 1 3/8"x3 3/8"x89 1/2" (36x86x2272)

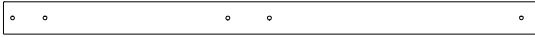


# STEP 4 - FORT ASSEMBLY

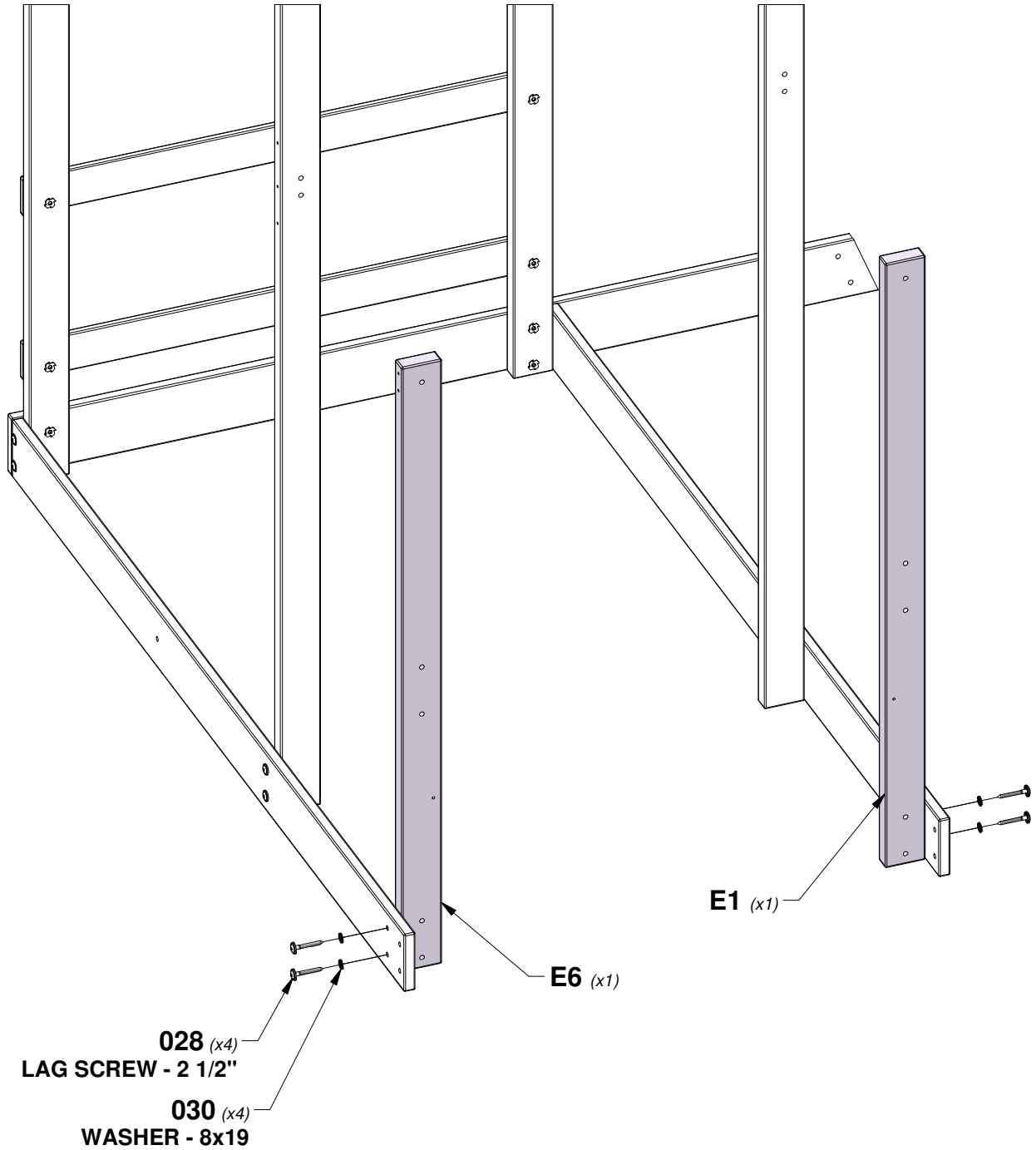
QTY	PART NUMBER	DESCRIPTION
4	H100028	LAG SCREW WH 5/16x2 1/2
4	H100030	WASHER LOCK EXT 8x19



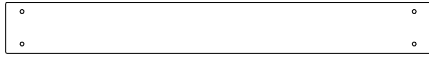
**E1** | UPRIGHT - W4L17482  
(x1) | 1 3/8"x3 3/8"x55 5/8" (36x86x1414)



**E6** | UPRIGHT - W4L17483  
(x1) | 1 3/8"x3 3/8"x55 5/8" (36x86x1414)



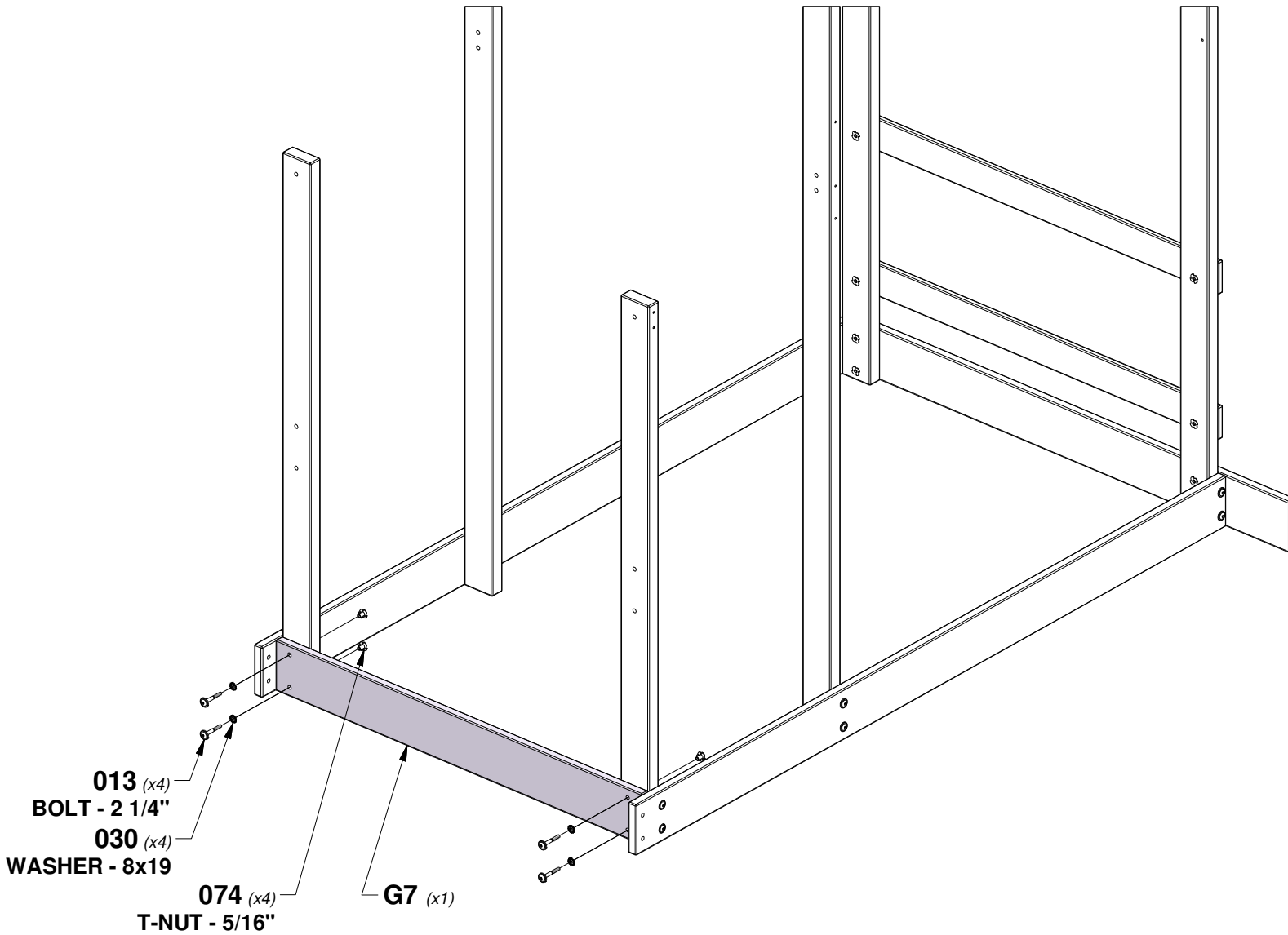
# STEP 5 - FORT ASSEMBLY



**G7** | GROUND BOARD - W104108  
 (x1) | 1"x5 1/4"x44 1/4" (24x134x1124)

QTY	PART NUMBER	DESCRIPTION
4	H100013	BOLT WH 5/16x2 1/4
4	H100030	WASHER LOCK EXT 8x19
4	H100074	T-NUT 5/16

**TIP:**  
**INSTALL T-NUTS IN WOOD FIRST**



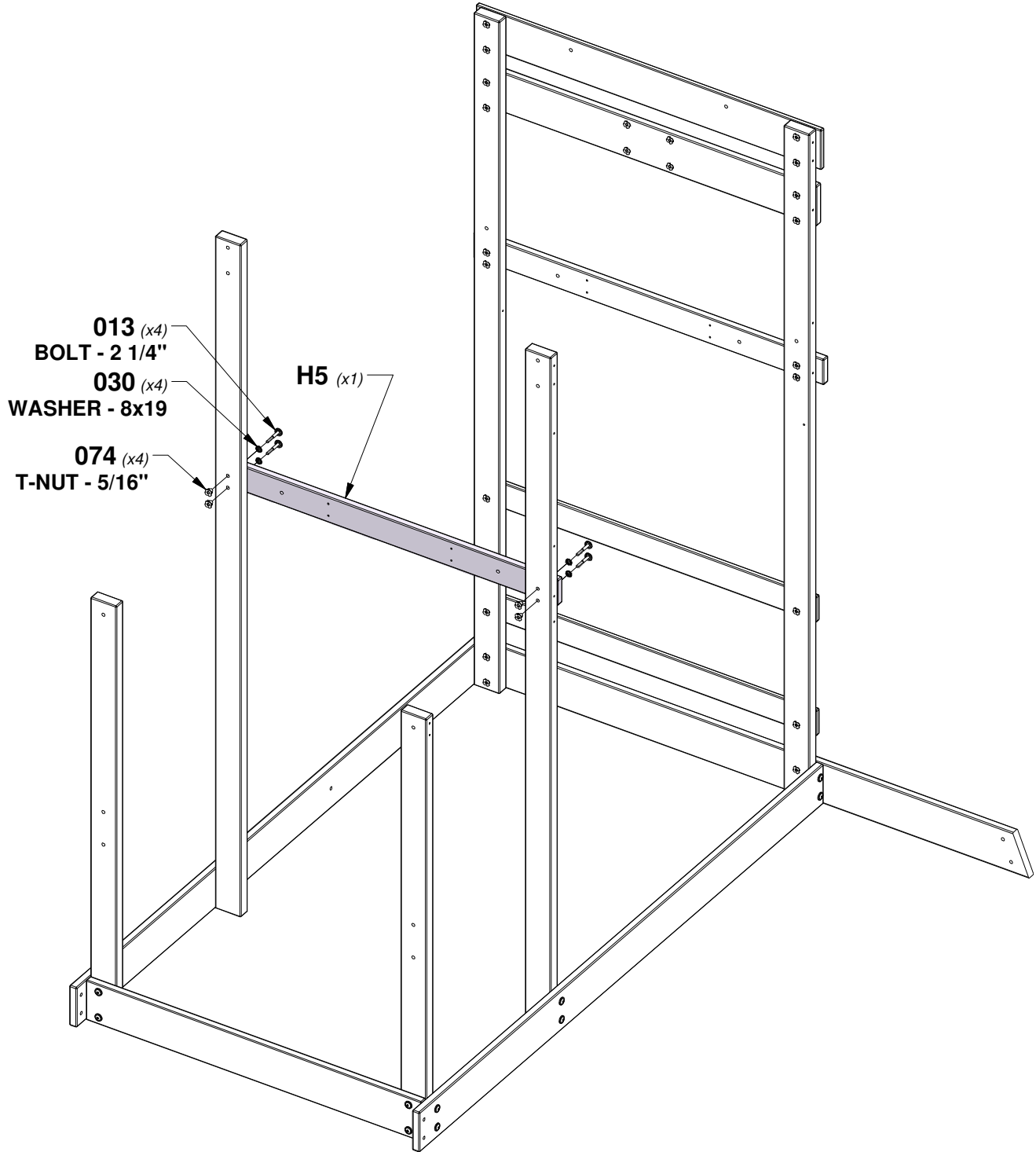
# STEP 6 - FORT ASSEMBLY

QTY	PART NUMBER	DESCRIPTION
4	H100013	BOLT WH 5/16x2 1/4
4	H100030	WASHER LOCK EXT 8x19
4	H100074	T-NUT 5/16



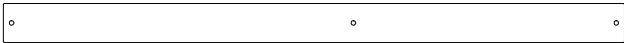
**H5** FLOOR RAIL - W104113  
(x1) 1"x3 3/8"x44 1/4" (24x86x1124)

**TIP:**  
INSTALL T-NUTS IN WOOD FIRST

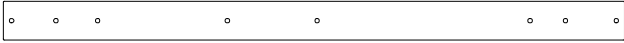


# STEP 7 - FORT ASSEMBLY

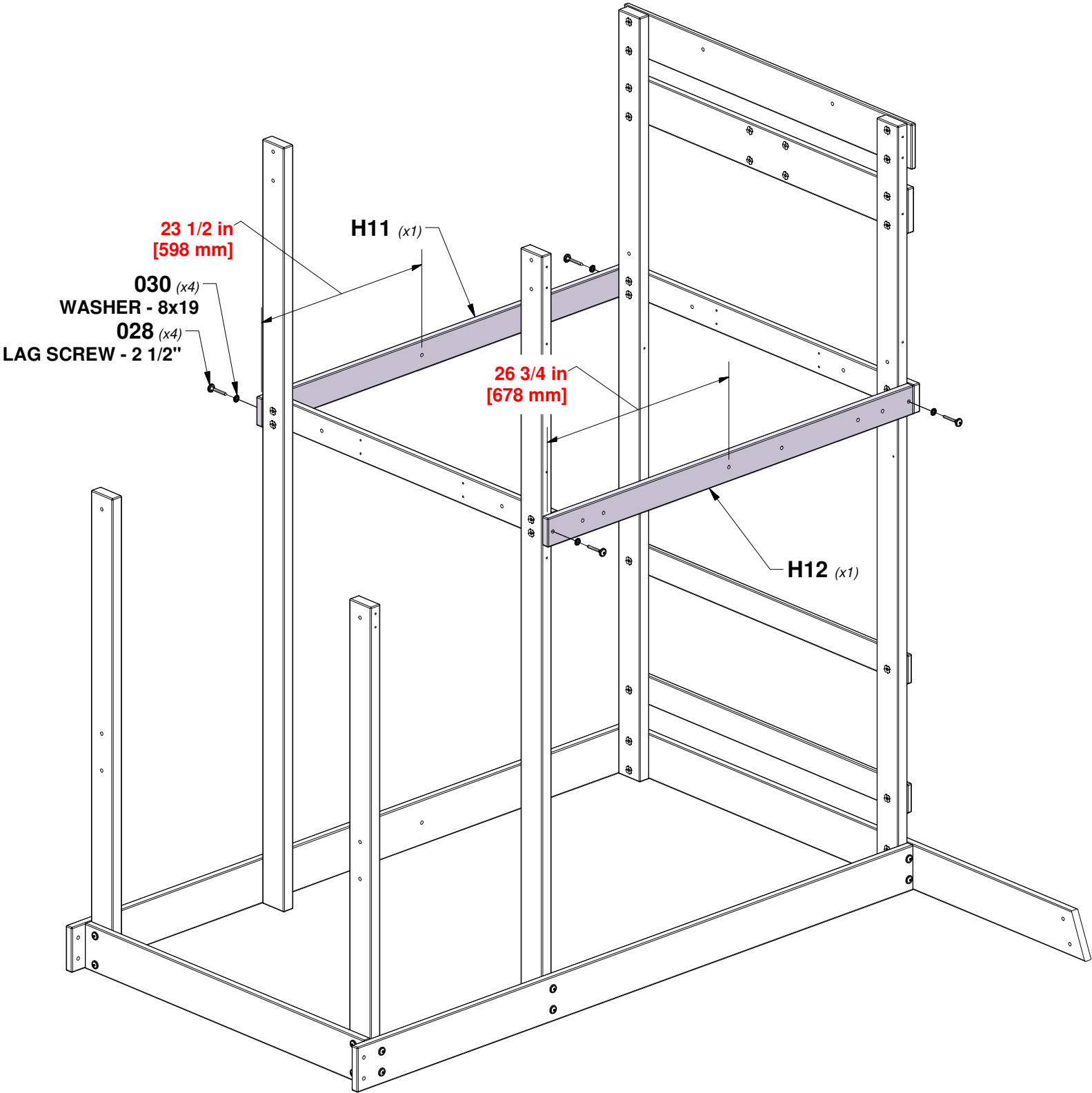
QTY	PART NUMBER	DESCRIPTION
4	H100028	LAG SCREW WH 5/16x2 1/2
4	H100030	WASHER LOCK EXT 8x19



**H11** | FLOOR RAIL - W104110  
(x1) | 1"x3 3/8"x53 7/8" (24x86x1370)



**H12** | FLOOR RAIL - W4L16726  
(x1) | 1"x3 3/8"x53 7/8" (24x86x1370)

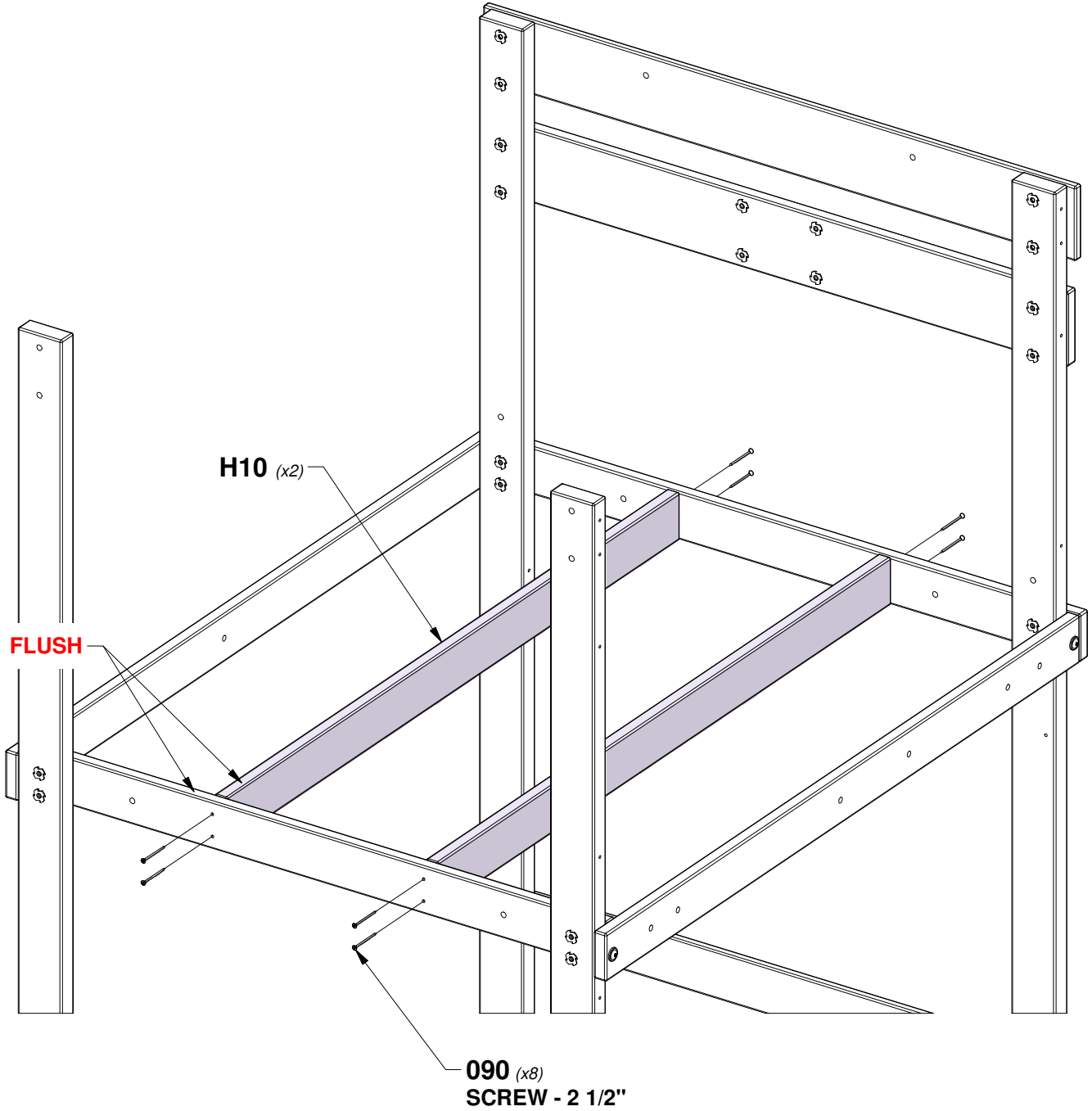


# STEP 8 - FORT ASSEMBLY

QTY	PART NUMBER	DESCRIPTION
8	H100090	SCREW PFH 8x2 1/2



**H10** | FLOOR SUPPORT - W104120  
(x2) | 1"x3 3/8"x51 5/8" (24x86x1310)



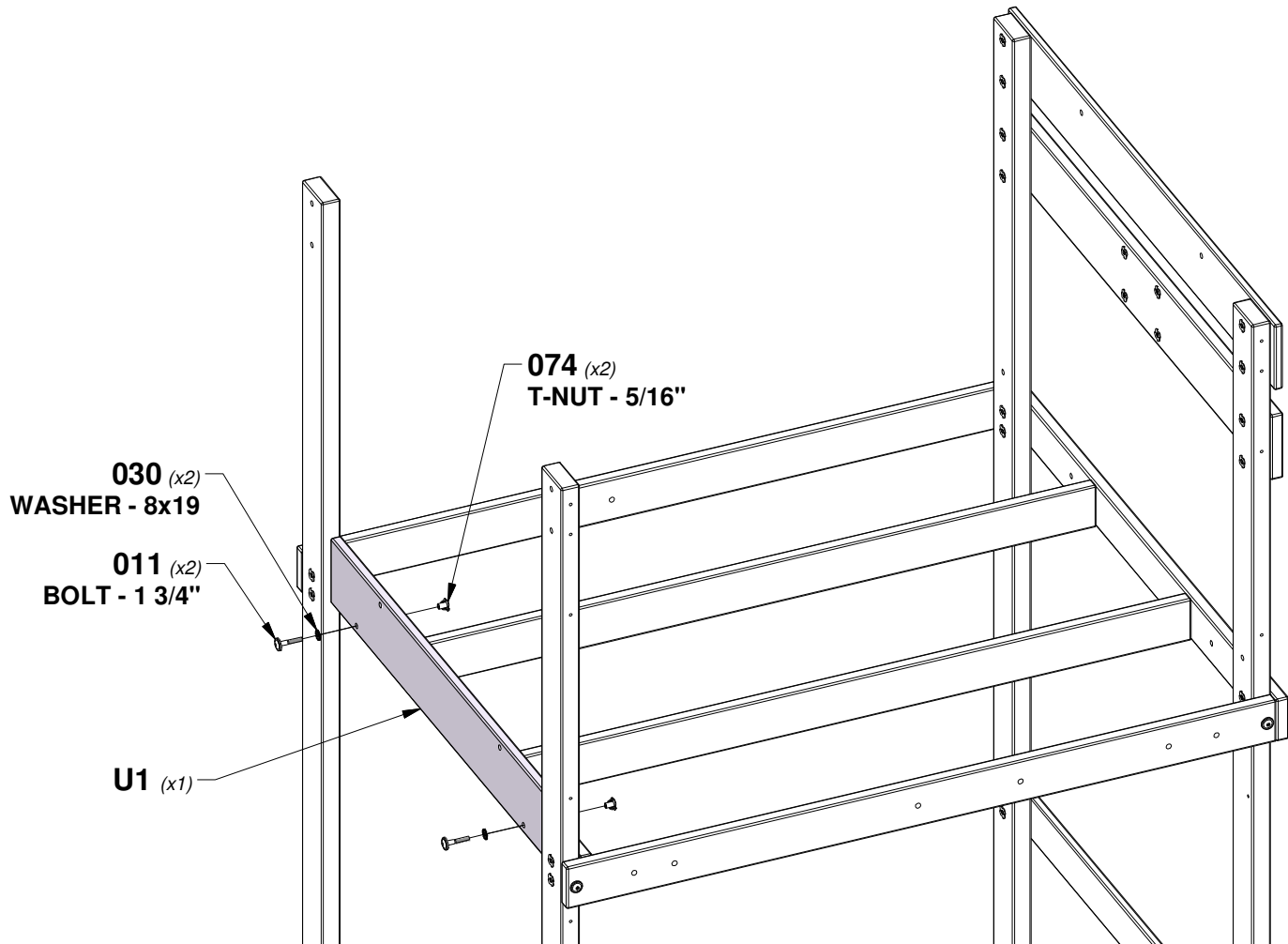
# STEP 9 - FORT ASSEMBLY



**U1** | WALL RAIL - W104147  
(x1) | 3/4"x5 1/4"x37 3/8" (20x134x950)

QTY	PART NUMBER	DESCRIPTION
2	H100011	BOLT WH 5/16x1 3/4
2	H100030	WASHER LOCK EXT 8x19
2	H100074	T-NUT 5/16

**TIP:**  
INSTALL T-NUTS IN WOOD FIRST





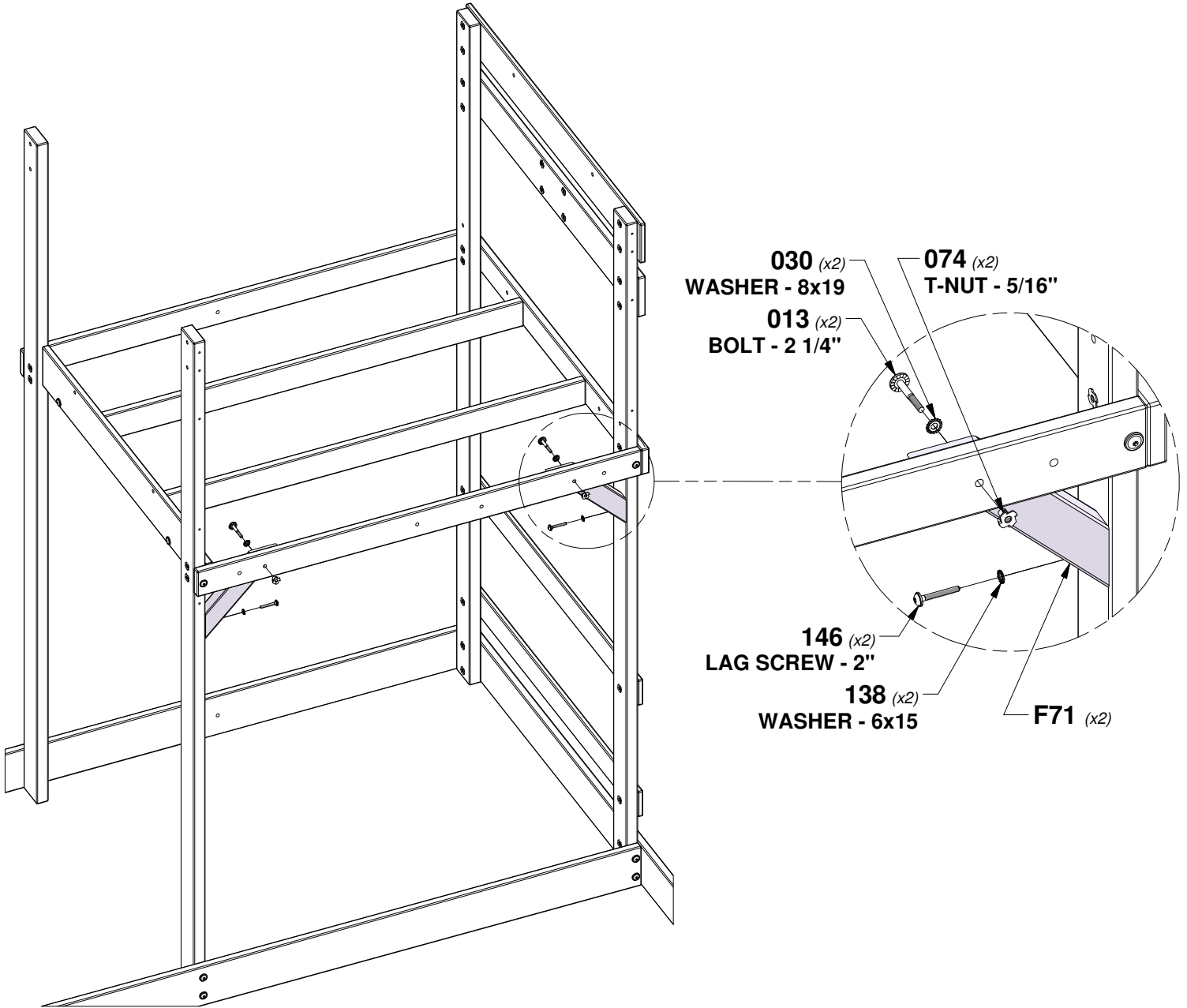
# STEP 10 - FORT ASSEMBLY



**F71 | STANDARD ANGLE BRACE - W4L16739**  
 (x2) | 1 3/8"x2 3/8"x13" (36x60x330)

QTY	PART NUMBER	DESCRIPTION
2	H100013	BOLT WH 5/16x2 1/4
2	H100030	WASHER LOCK EXT 8x19
2	H100074	T-NUT 5/16
2	H100138	WASHER LOCK EXT 6x15
2	H100146	LAG SCREW WH 1/4x2

**TIP:**  
**INSTALL T-NUTS IN WOOD FIRST**



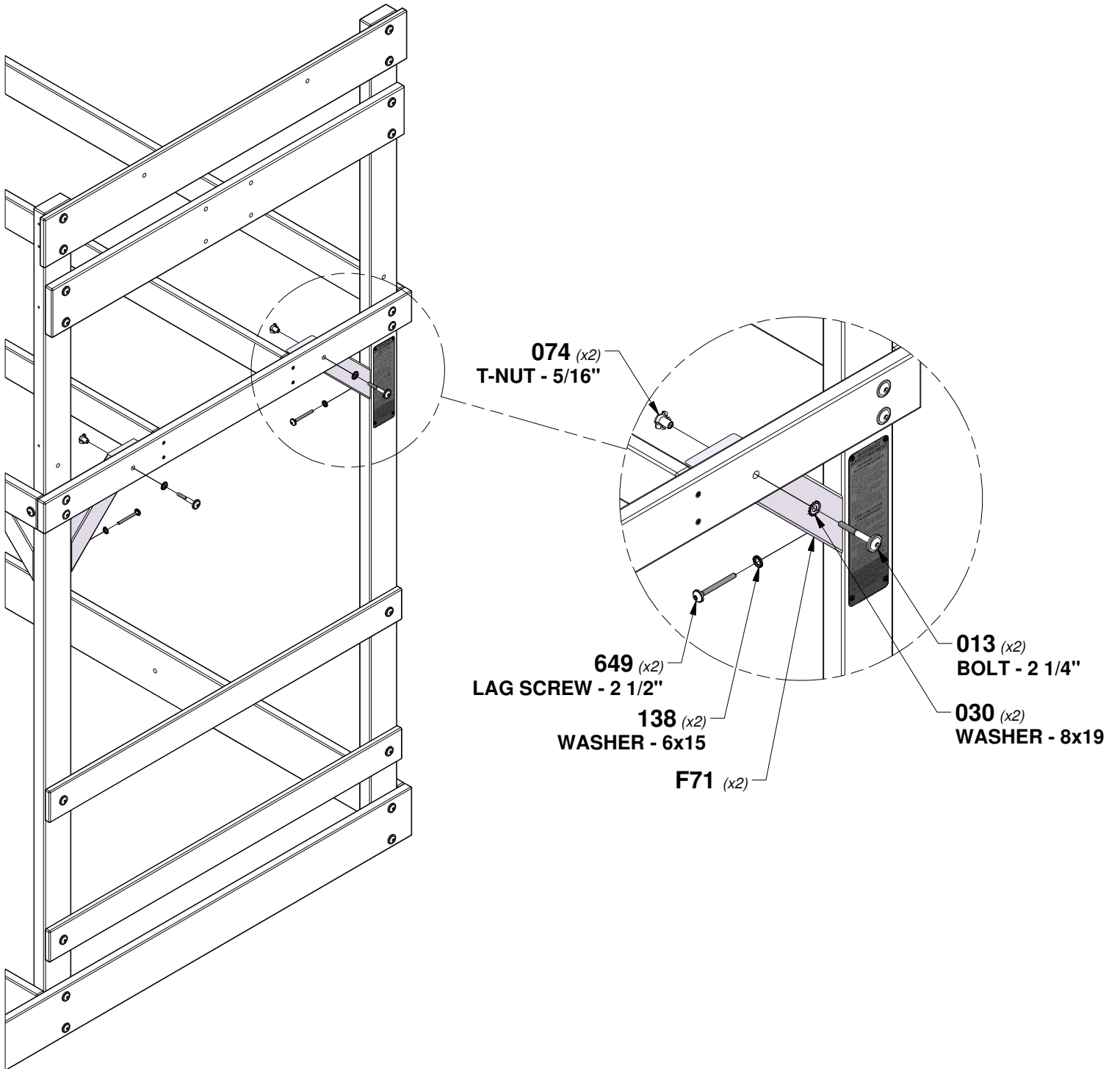
# STEP 11 - FORT ASSEMBLY



**F71** | STANDARD ANGLE BRACE - W4L16739  
 (x2) | 1 3/8"x2 3/8"x13" (36x60x330)

QTY	PART NUMBER	DESCRIPTION
2	H100013	BOLT WH 5/16x2 1/4
2	H100030	WASHER LOCK EXT 8x19
2	H100074	T-NUT 5/16
2	H100138	WASHER LOCK EXT 6x15
2	H100649	LAG SCREW WH 1/4x2-1/2

**TIP:**  
**INSTALL T-NUTS IN WOOD FIRST**



# STEP 12 - FORT ASSEMBLY

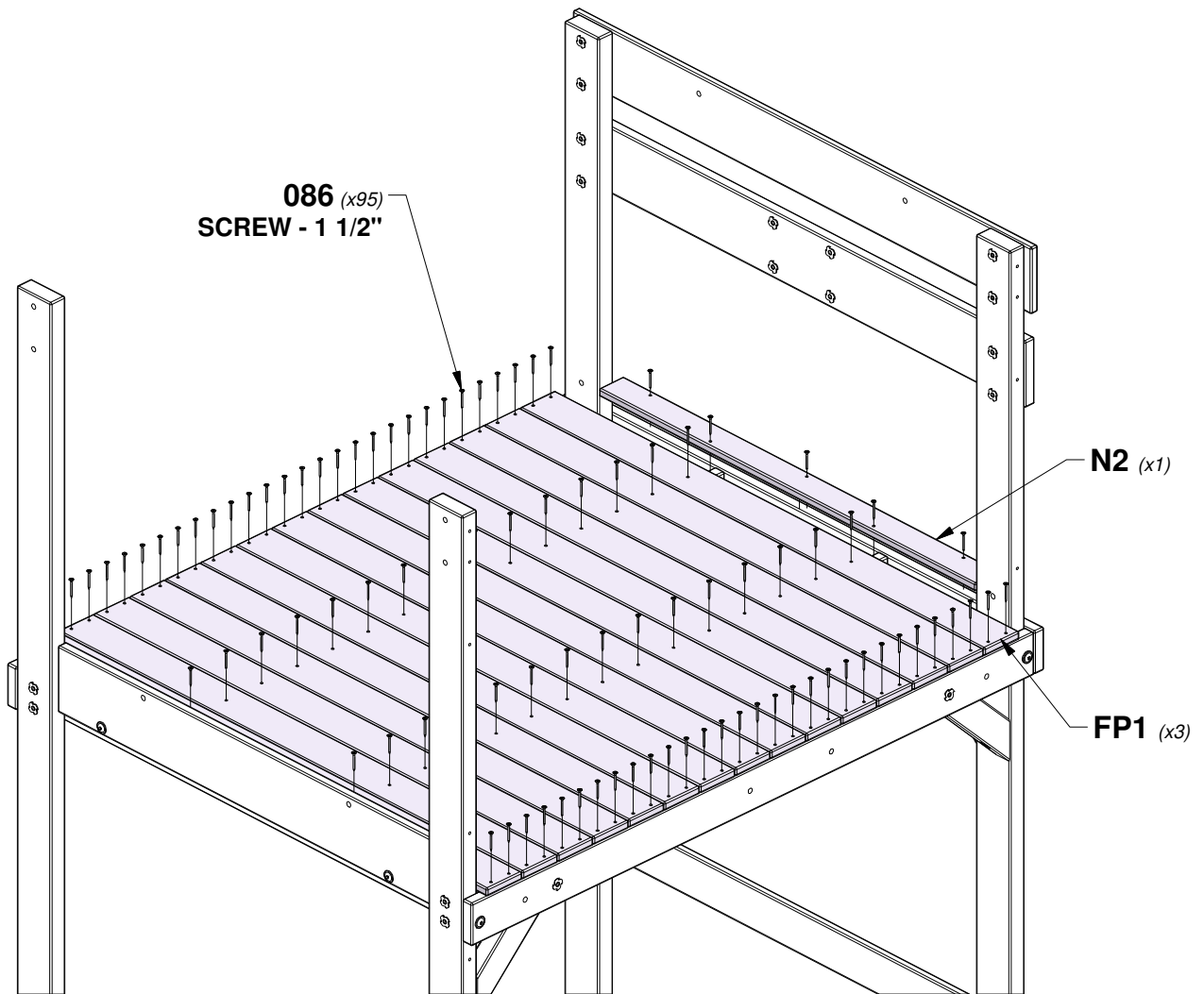
QTY	PART NUMBER	DESCRIPTION
95	H100086	SCREW PFH 8x1-1/2"



**FP1 | FLOOR PANEL - W2A03466**  
*(x3) | 1 1/4"x17"x43 3/4" (32x432x1172)*



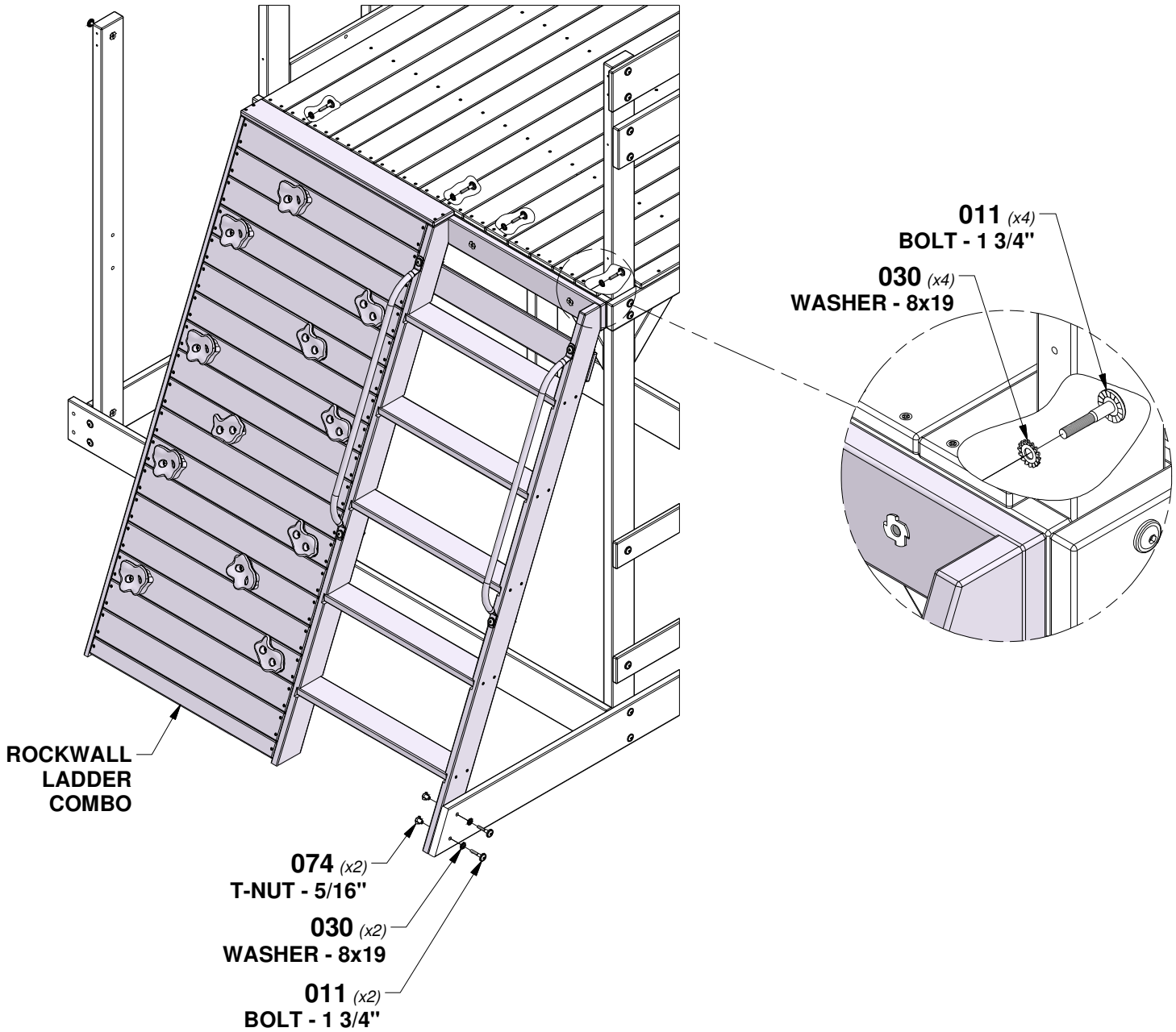
**N2 | FLOOR BOARD - W104122**  
*(x1) | 5/8"x2 3/8"x37 3/8" (16x60x950)*



# STEP 13 - FORT ASSEMBLY

QTY	PART NUMBER	DESCRIPTION
6	H100011	BOLT WH 5/16x1 3/4
6	H100030	WASHER LOCK EXT 8x19
2	H100074	T-NUT 5/16

**TIP:**  
**INSTALL T-NUTS IN WOOD FIRST**



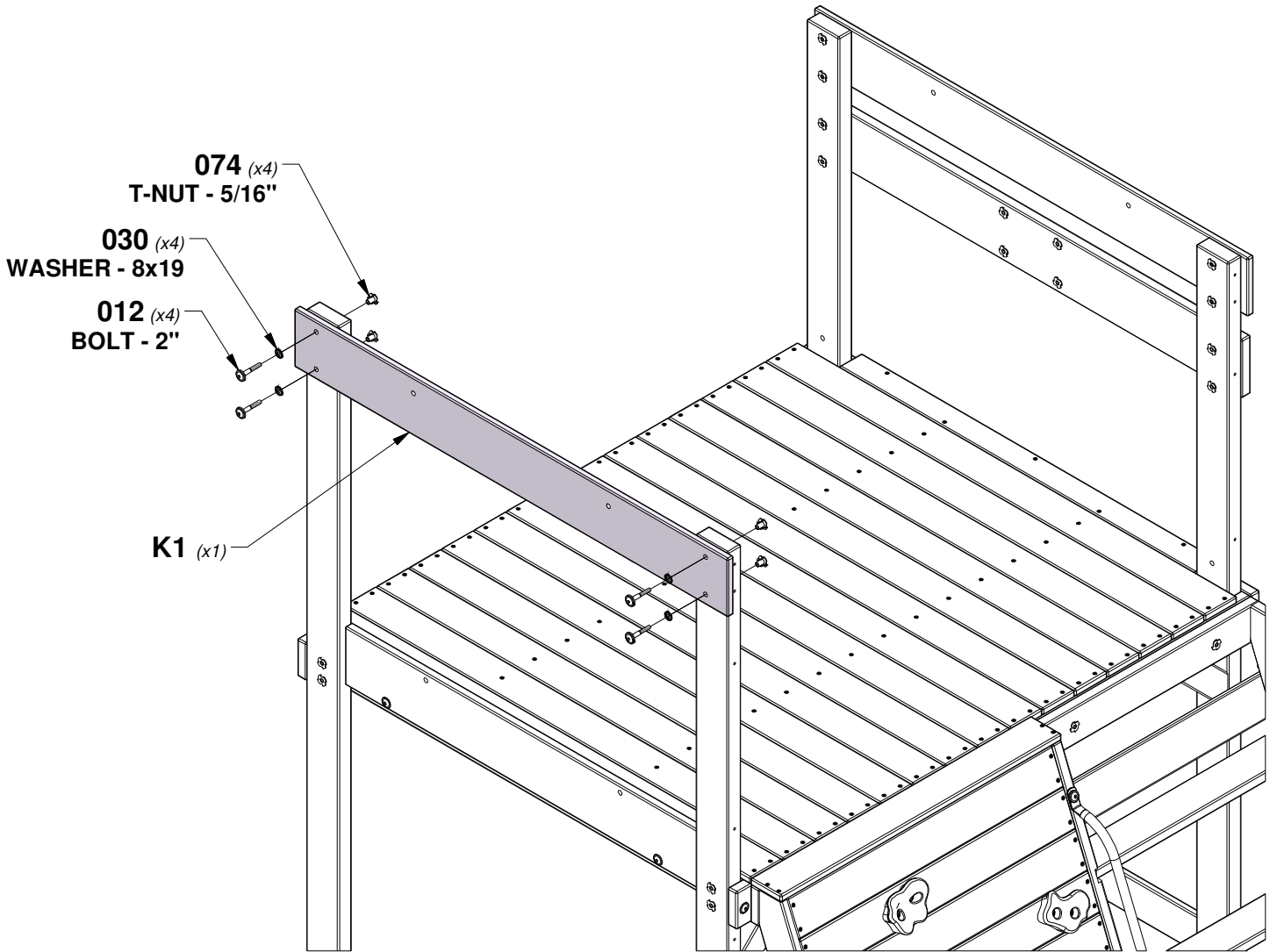
# STEP 14 - FORT ASSEMBLY



**K1** | UPPER WALL RAIL - W104116  
(x1) | 5/8"x5 1/4"x45 1/2" (16x134x1156)

QTY	PART NUMBER	DESCRIPTION
4	H100012	BOLT WH 5/16x2
4	H100030	WASHER LOCK EXT 8x19
4	H100074	T-NUT 5/16

**TIP:**  
INSTALL T-NUTS IN WOOD FIRST



# STEP 15 - FORT ASSEMBLY

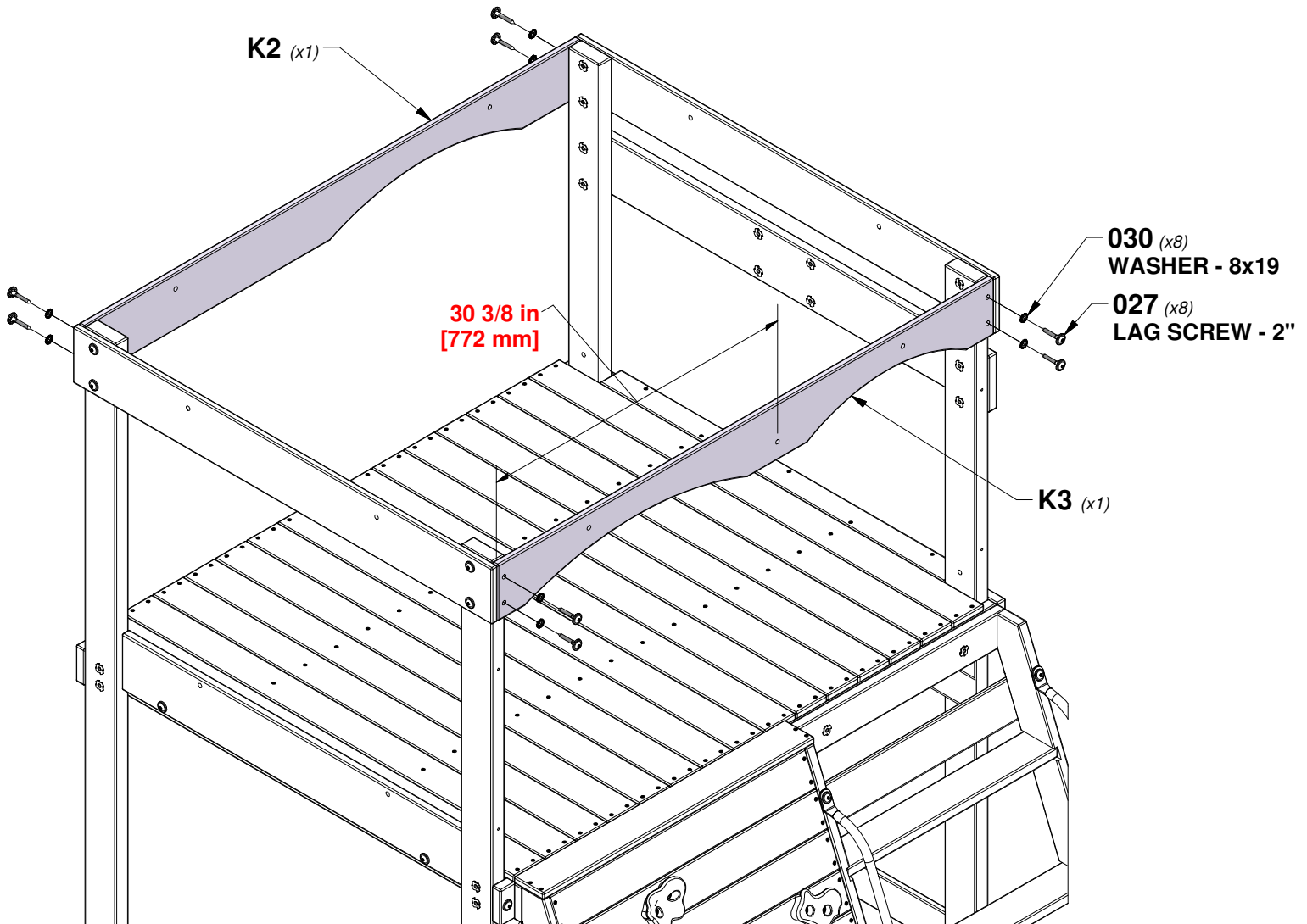
QTY	PART NUMBER	DESCRIPTION
8	H100027	LAG SCREW WH 5/16x2
8	H100030	WASHER LOCK EXT 8x19



**K2** | ARCH BOARD - W104117  
(x1) | 5/8"x5 1/4"x53 7/8" (16x134x1370)



**K3** | DOUBLE ARCH BOARD - W104118  
(x1) | 5/8"x5 1/4"x53 7/8" (16x134x1370)



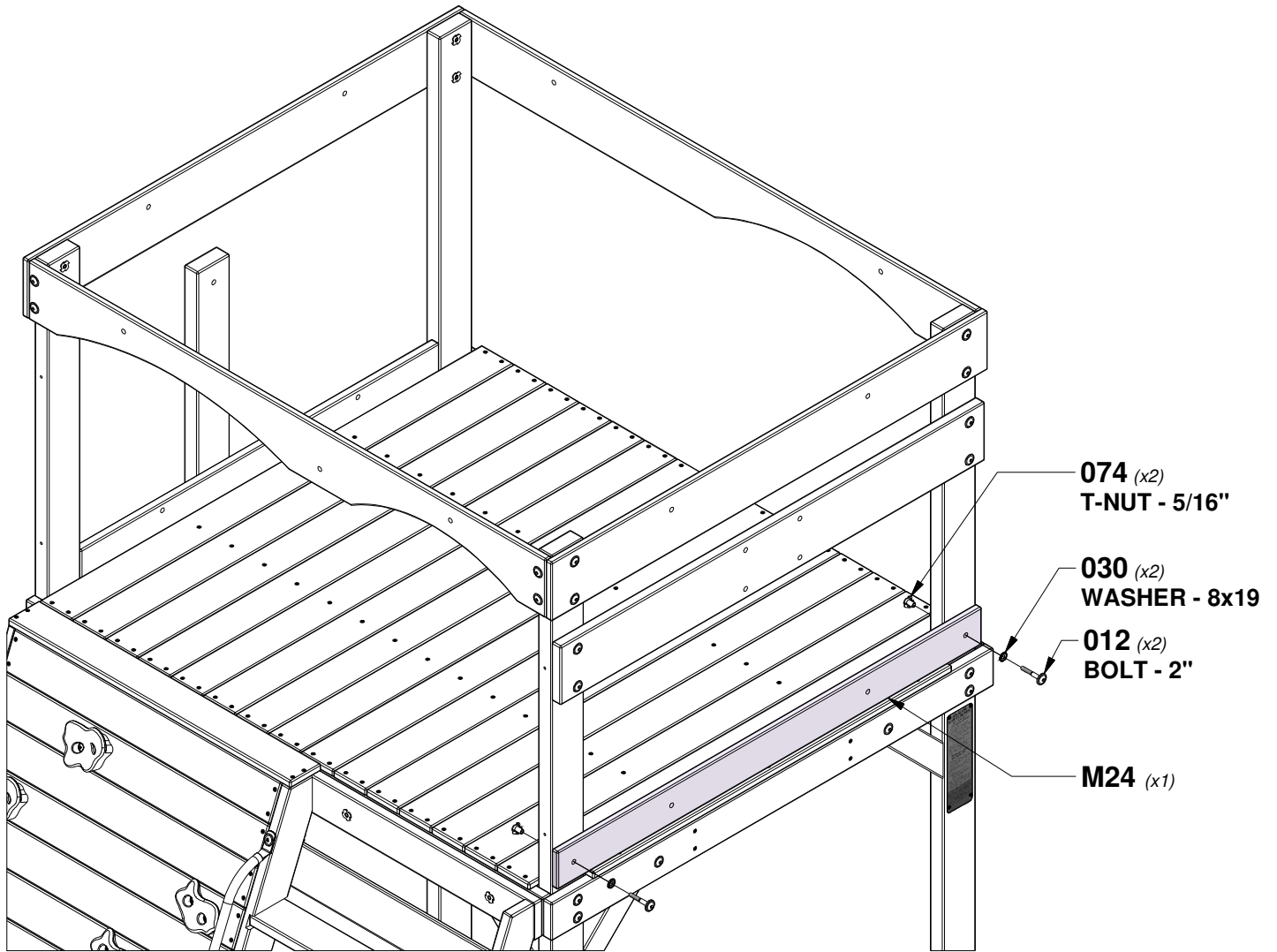
# STEP 16 - FORT ASSEMBLY

QTY	PART NUMBER	DESCRIPTION
2	H100012	BOLT WH 5/16x2
2	H100030	WASHER LOCK EXT 8x19
2	H100074	T-NUT 5/16



**M24** | WALL RAIL - W104133  
(x1) | 5/8"x3 3/8"x44 1/4" (16x86x1124)

**TIP:**  
**INSTALL T-NUTS IN WOOD FIRST**



# STEP 17 - FORT ASSEMBLY

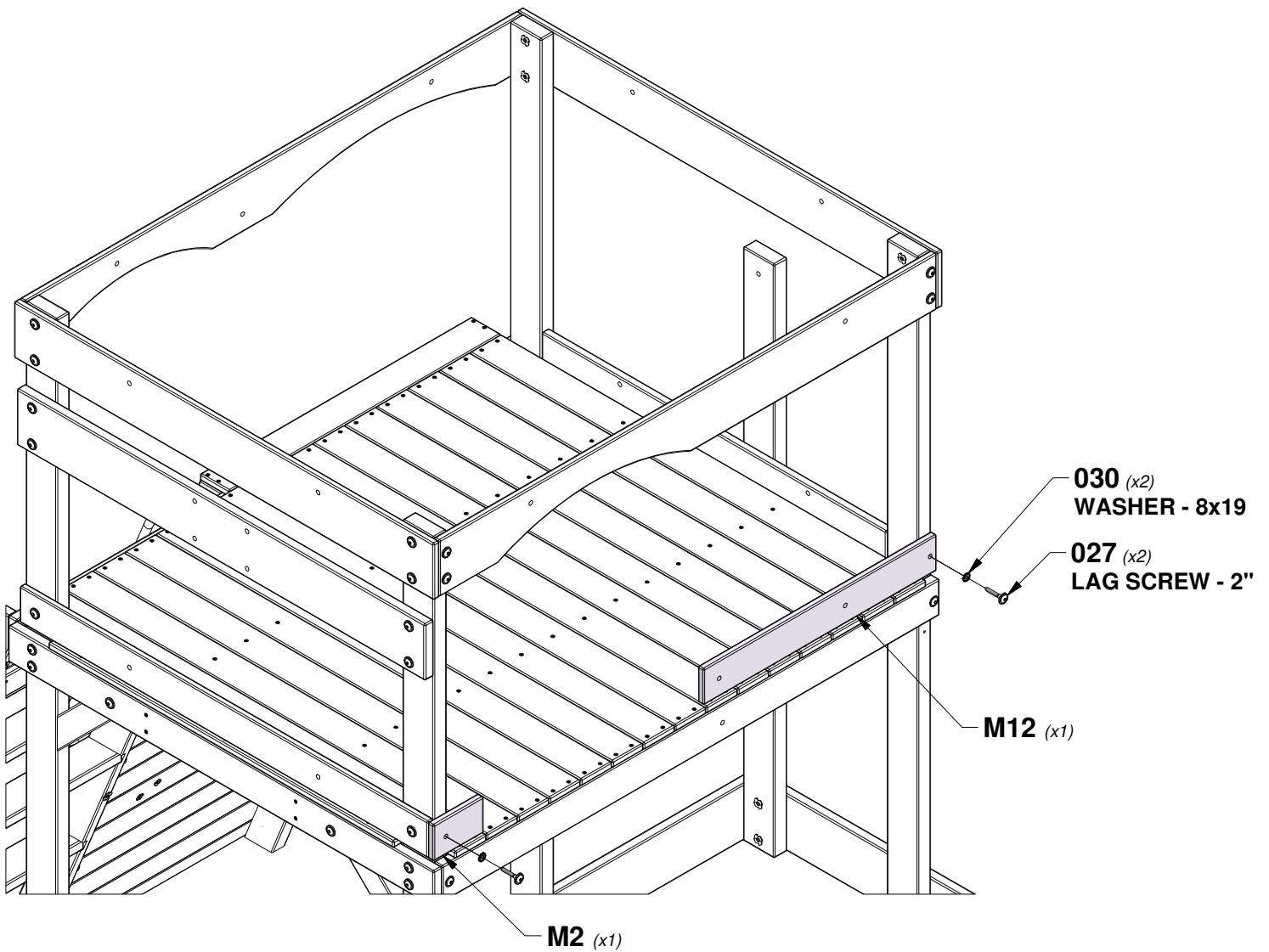
QTY	PART NUMBER	DESCRIPTION
2	H100027	LAG SCREW WH 5/16x2
2	H100030	WASHER LOCK EXT 8x19



**M12** | WALL RAIL - W104136  
 (x1) | 5/8"x3 3/8"x25 1/4" (16x86x642)



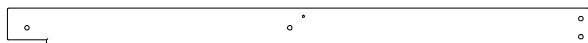
**M2** | SMALL WALL RAIL - W104135  
 (x1) | 5/8"x3 3/8"x5 3/8" (16x86x138)



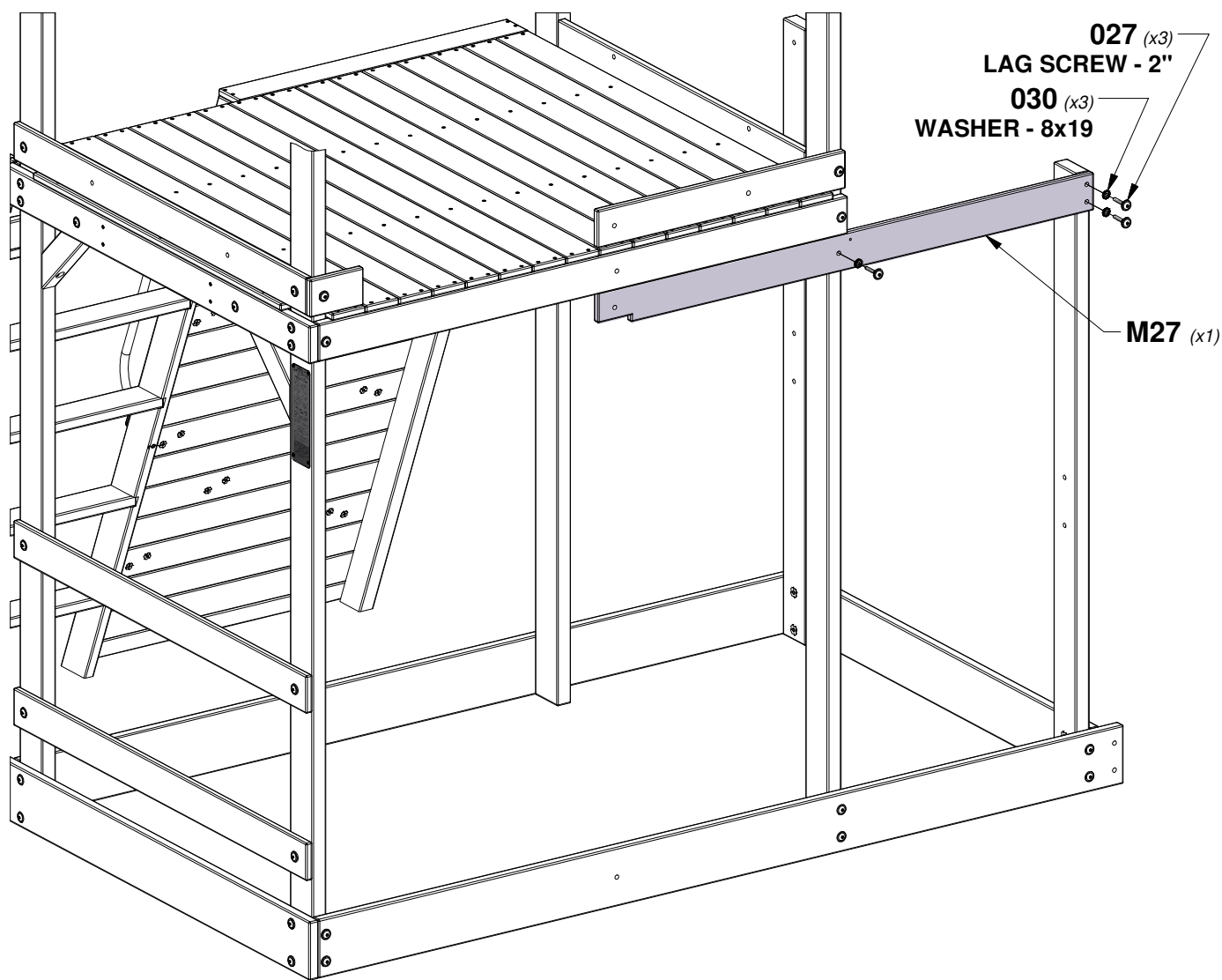


# STEP 18 - FORT ASSEMBLY

QTY	PART NUMBER	DESCRIPTION
3	H100027	LAG SCREW WH 5/16x2
3	H100030	WASHER LOCK EXT 8x19



**M27** | WALL RAIL - W104115  
 (x1) | 5/8"x3 3/8"x50 1/2" (16x86x1283)



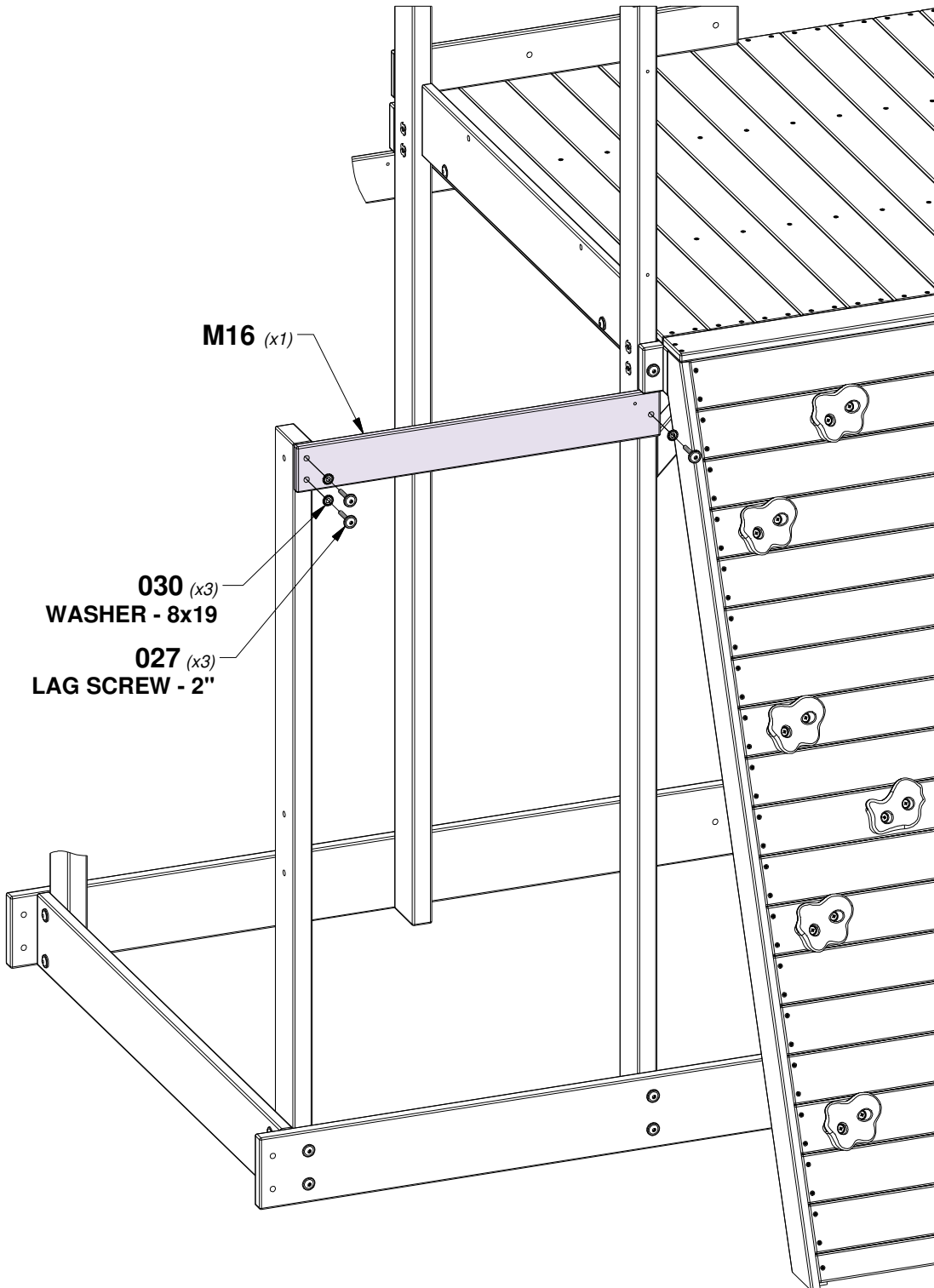
# STEP 19 - FORT ASSEMBLY

QTY	PART NUMBER	DESCRIPTION
3	H100027	LAG SCREW WH 5/16x2
3	H100030	WASHER LOCK EXT 8x19



**M16** | LEMONADE ROOF SUPPORT - W104123  
(x1) | 5/8"x3 3/8"x26 3/4" (16x86x678)

**TIP:**  
**INSTALL T-NUTS IN WOOD FIRST**

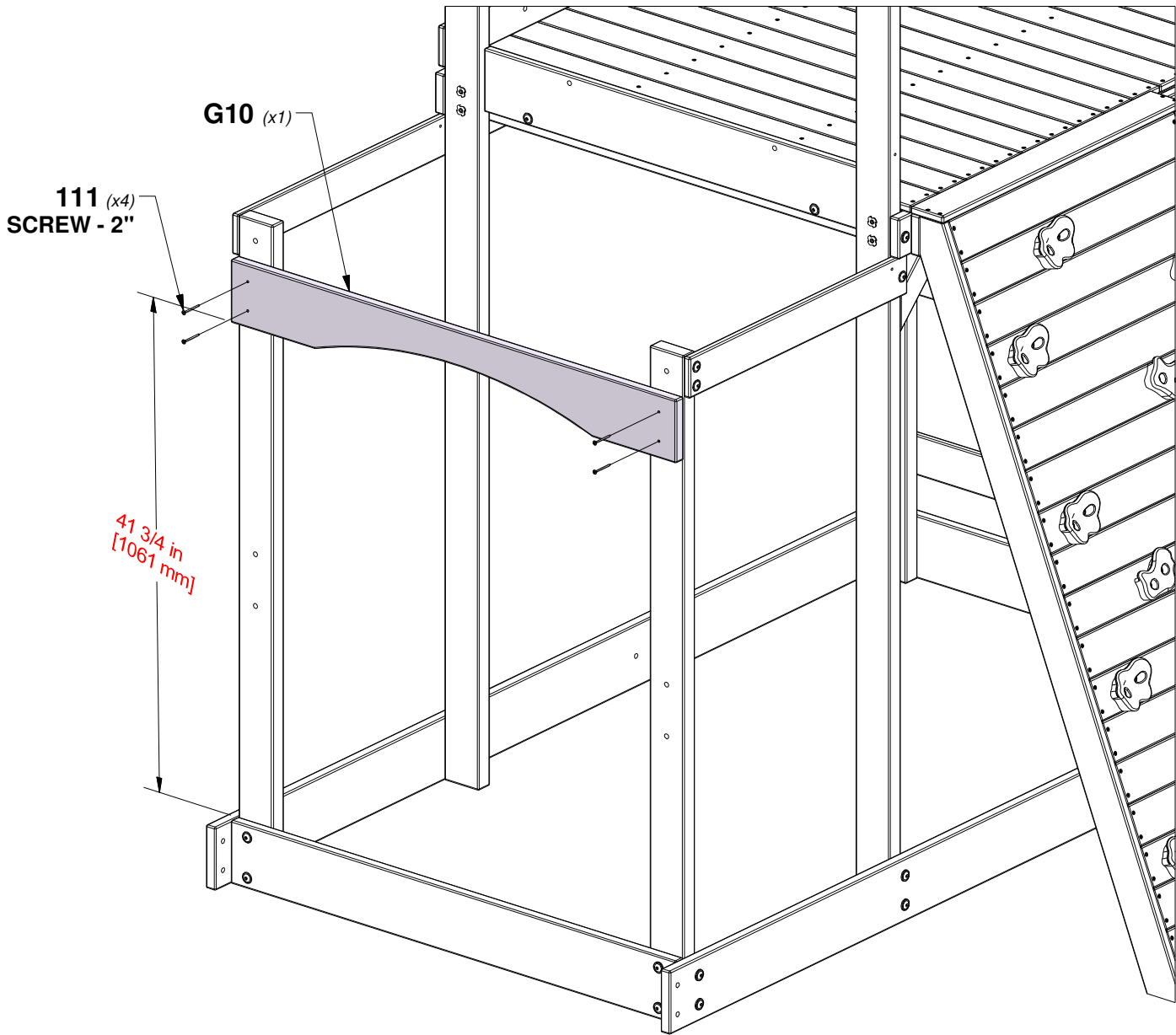


# STEP 20 - FORT ASSEMBLY

QTY	PART NUMBER	DESCRIPTION
4	H100111	SCREW PFH 8x2



**G10** | LEMONADE ARCH BOARD - W104175  
(x1) | 1"x5 1/4"x44 1/4" (24x134x1124)



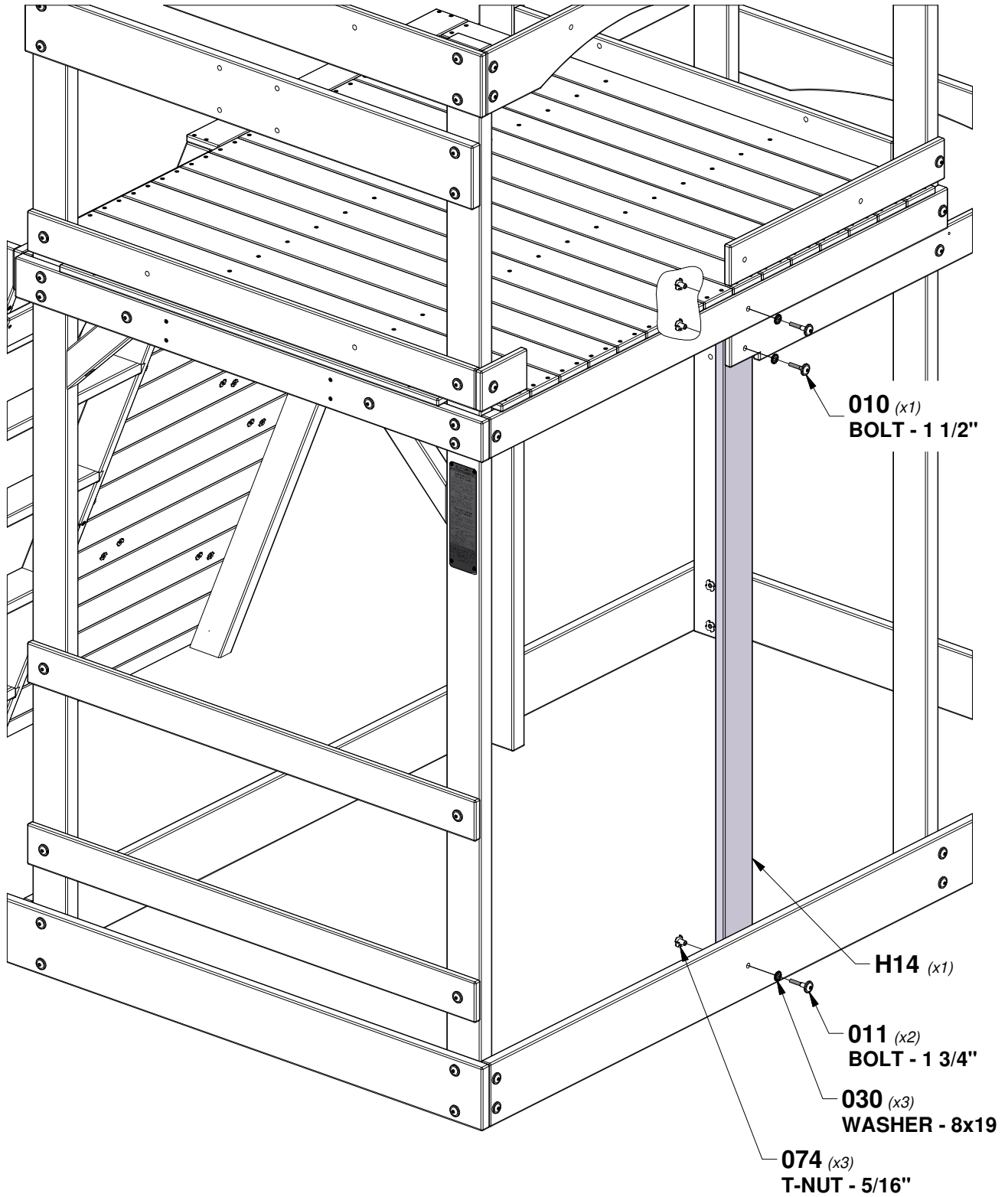
# STEP 21 - FORT ASSEMBLY

QTY	PART NUMBER	DESCRIPTION
2	H100011	BOLT WH 5/16x1 3/4
1	H100010	BOLT WH 5/16x1 1/2
3	H100030	WASHER LOCK EXT 8x19
3	H100074	T-NUT 5/16



**H14** | DOOR RAIL - W104114  
 (x1) | 1"x3 3/8"x59" (24x86x1500)

**TIP:**  
**INSTALL T-NUTS IN WOOD FIRST**

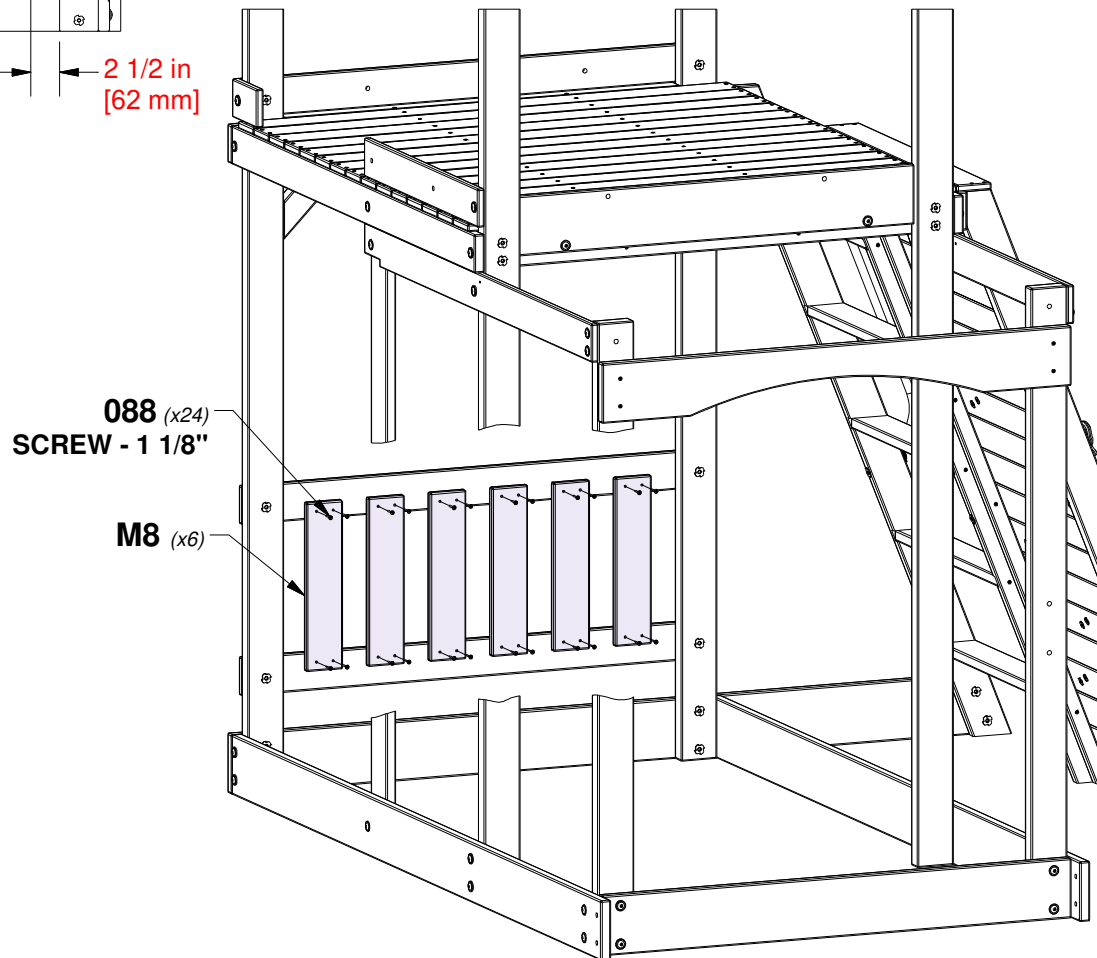
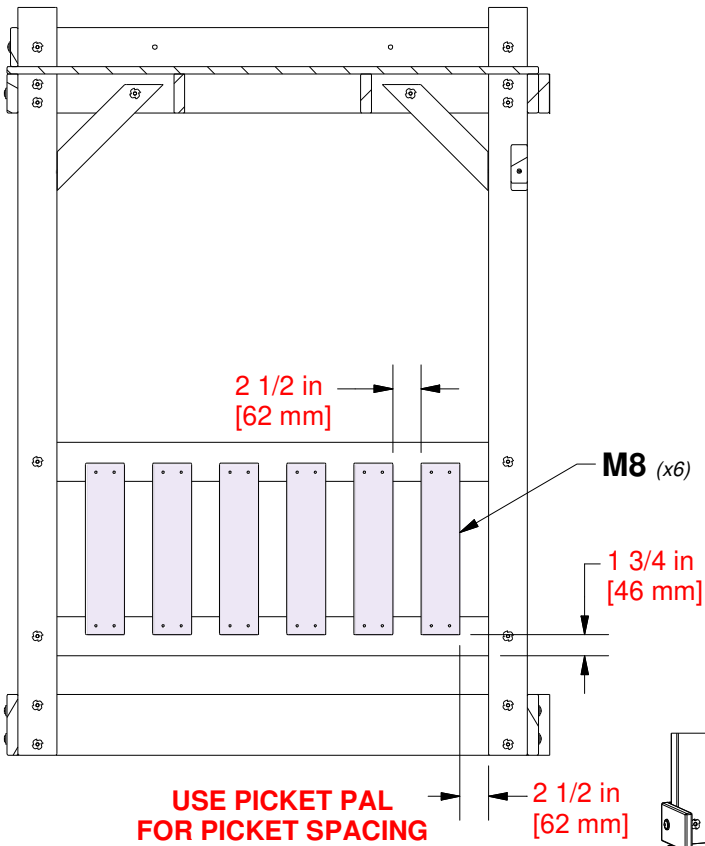


# STEP 22 - FORT ASSEMBLY

QTY	PART NUMBER	DESCRIPTION
24	H100088	SCREW PFH 8x1-1/8"



**M8** | WALL SLAT - W104134  
 (x6) | 5/8"x3 3/8"x14 7/8" (16x86x378)



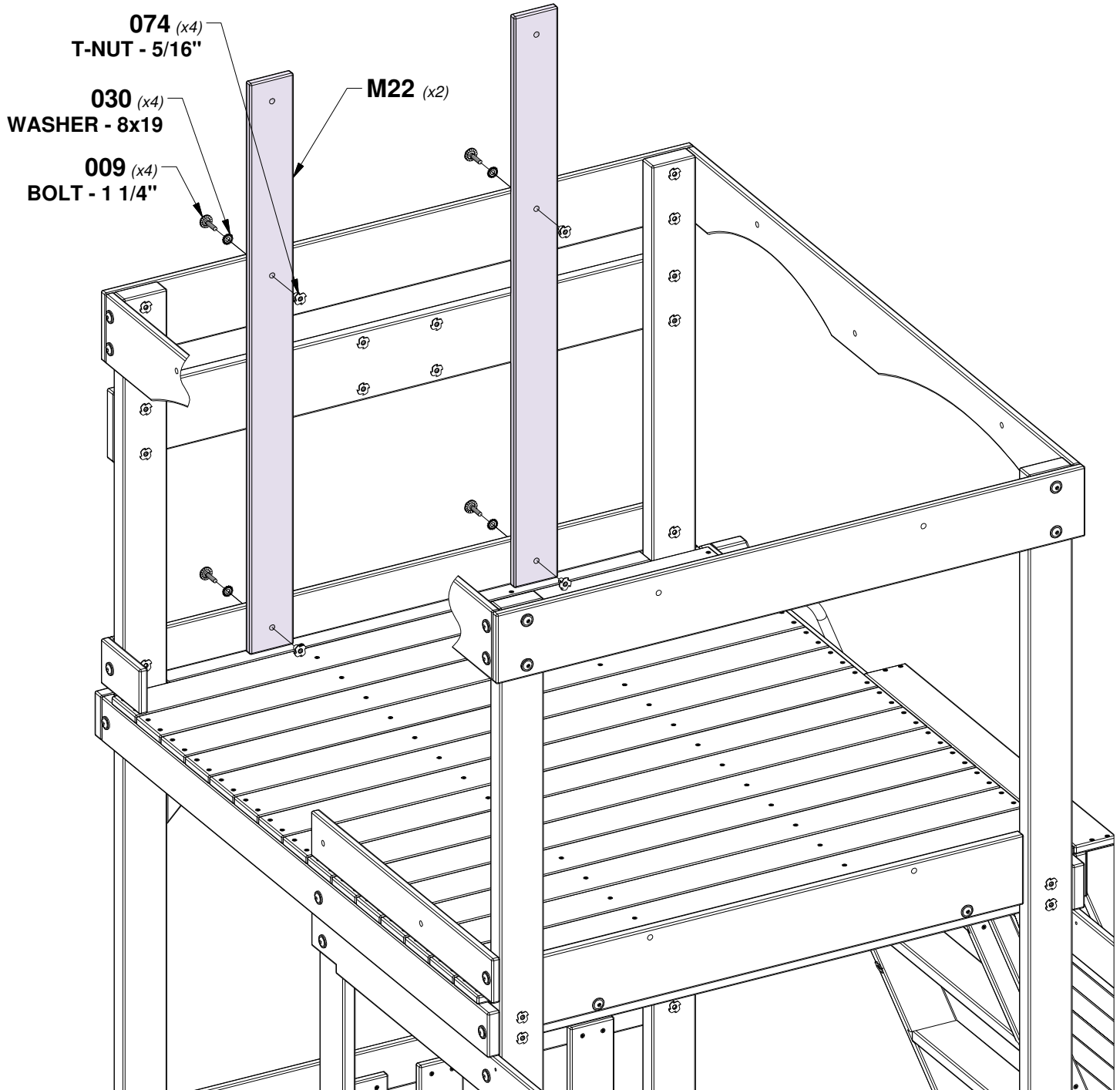
# STEP 23 - FORT ASSEMBLY

QTY	PART NUMBER	DESCRIPTION
4	H100009	BOLT WH 5/16x1 1/4
4	H100030	WASHER LOCK EXT 8x19
4	H100074	T-NUT 5/16



**M22** | LONG ROOF SUPPORT - W104139  
 (x2) | 5/8"x3 3/8"x43 1/4" (16x86x1098)

**TIP:**  
**INSTALL T-NUTS IN WOOD FIRST**

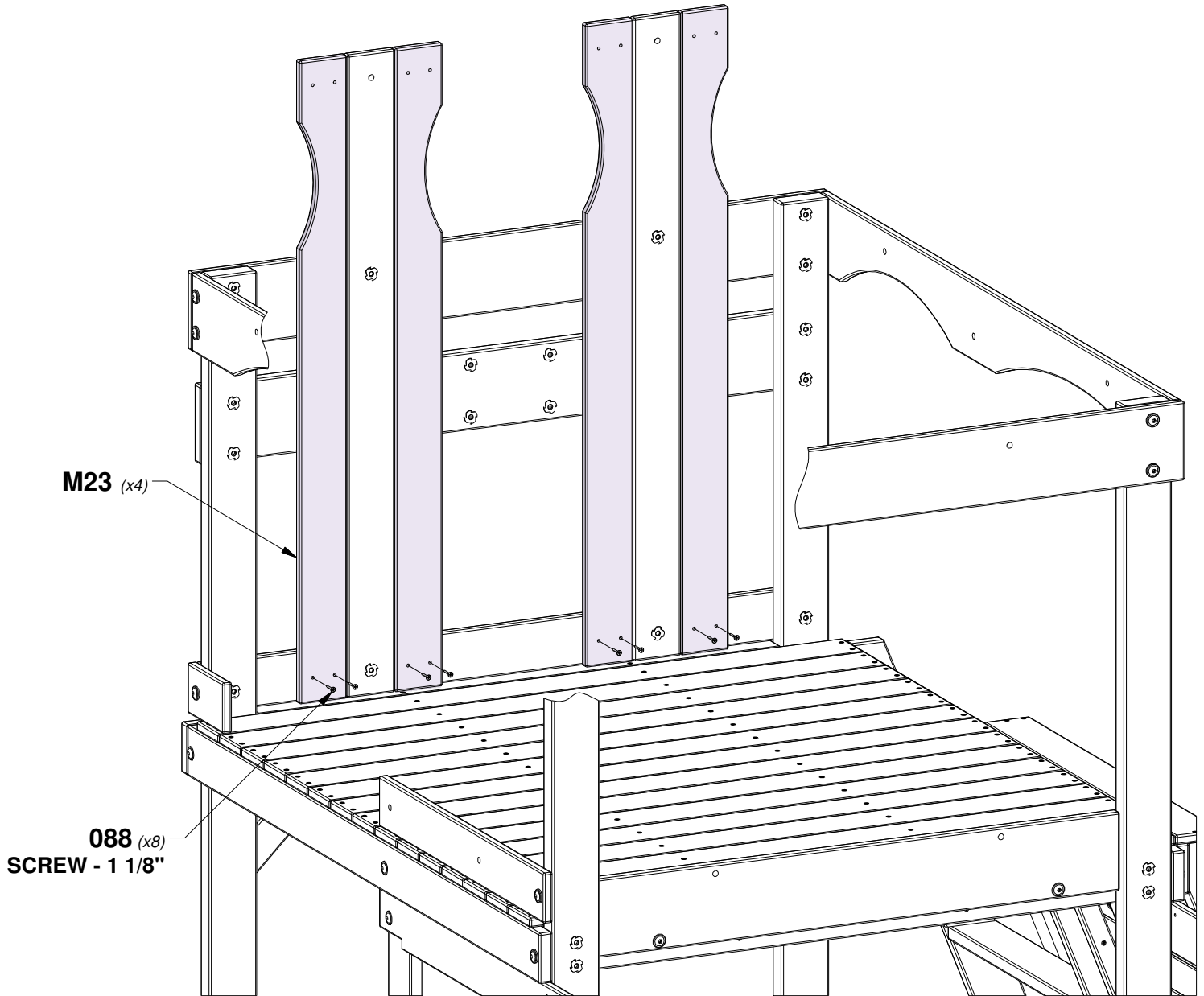


# STEP 24 - FORT ASSEMBLY

QTY	PART NUMBER	DESCRIPTION
8	H100088	SCREW PFH 8x1-1/8"



**M23** | LONG ARCH ROOF SUPPORT - W104140  
(x4) | 5/8"x3 3/8"x43 1/4" (16x86x1098)

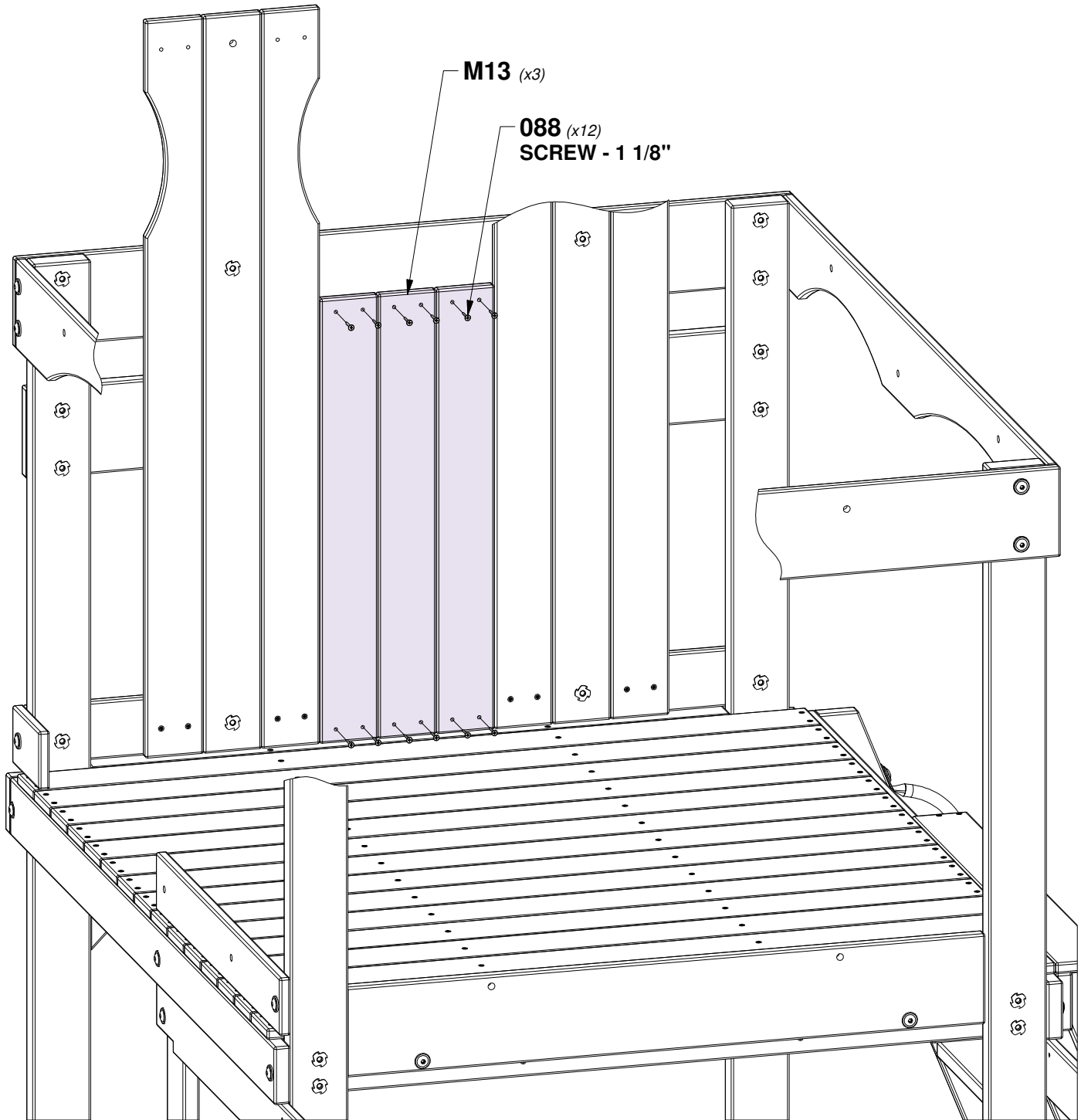


# STEP 25 - FORT ASSEMBLY

QTY	PART NUMBER	DESCRIPTION
12	H100088	SCREW PFH 8x1-1/8"



**M13** | WALL BOARD - W104137  
(x3) | 5/8"x3 3/8"x26 1/8" (16x86x662)



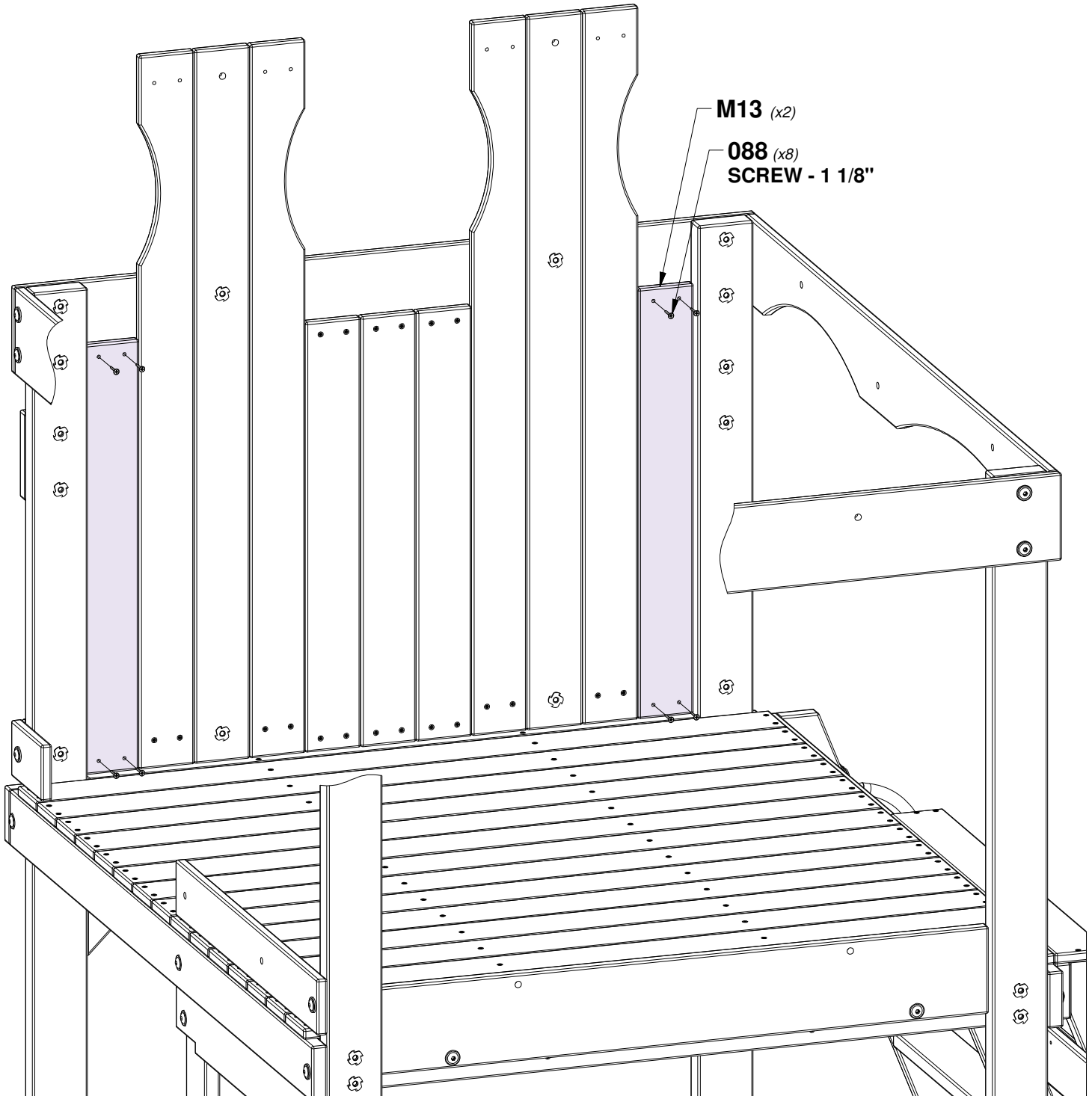


# STEP 26 - FORT ASSEMBLY

QTY	PART NUMBER	DESCRIPTION
8	H100088	SCREW PFH 8x1-1/8"



**M13** | WALL BOARD - W104137  
(x2) | 5/8"x3 3/8"x26 1/8" (16x86x662)



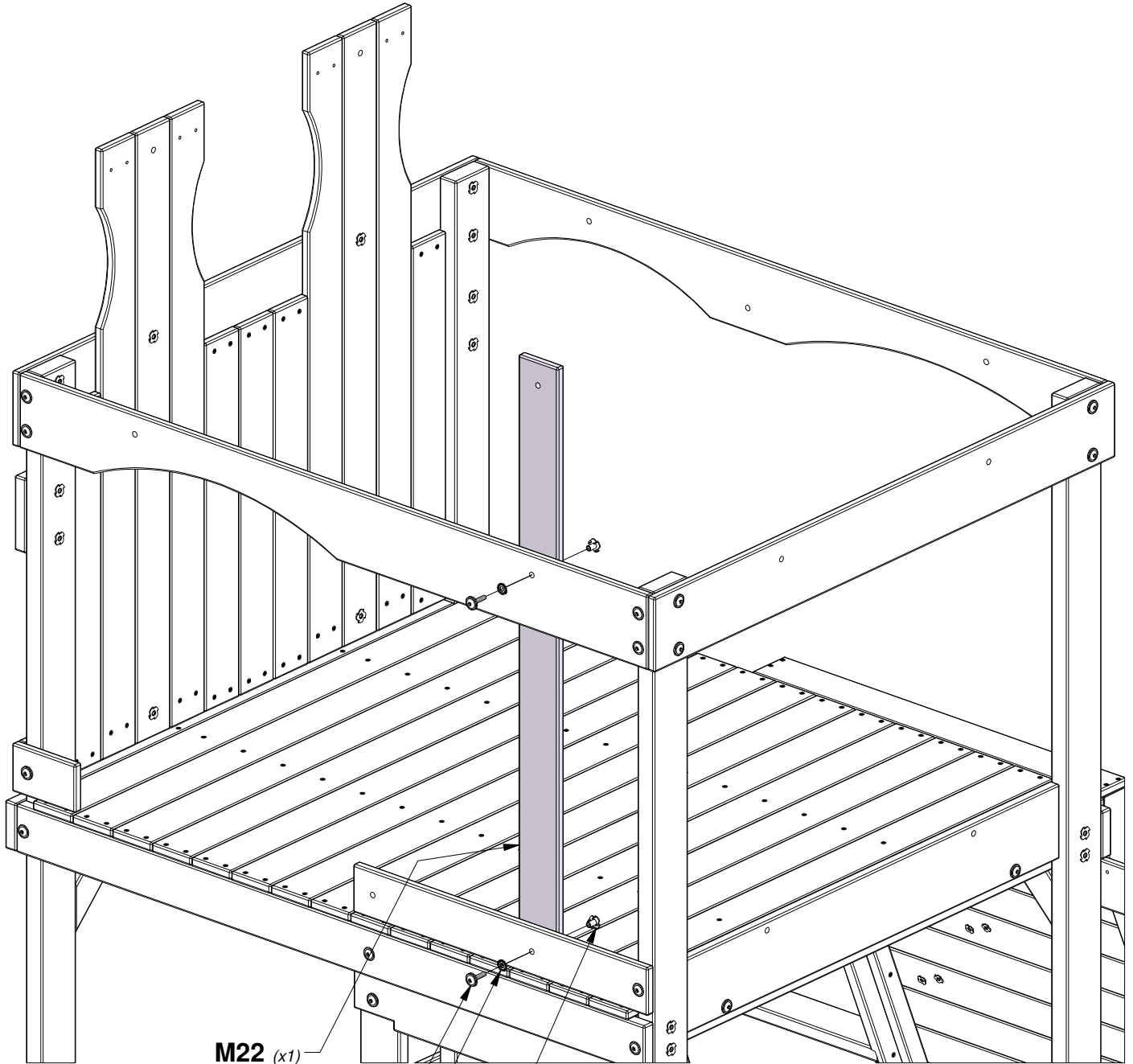
# STEP 27 - FORT ASSEMBLY

QTY	PART NUMBER	DESCRIPTION
2	H100009	BOLT WH 5/16x1 1/4
2	H100030	WASHER LOCK EXT 8x19
2	H100074	T-NUT 5/16



**M22** | LONG ROOF SUPPORT - W104139  
 (x1) | 5/8"x3 3/8"x43 1/4" (16x86x1098)

**TIP:**  
**INSTALL T-NUTS IN WOOD FIRST**



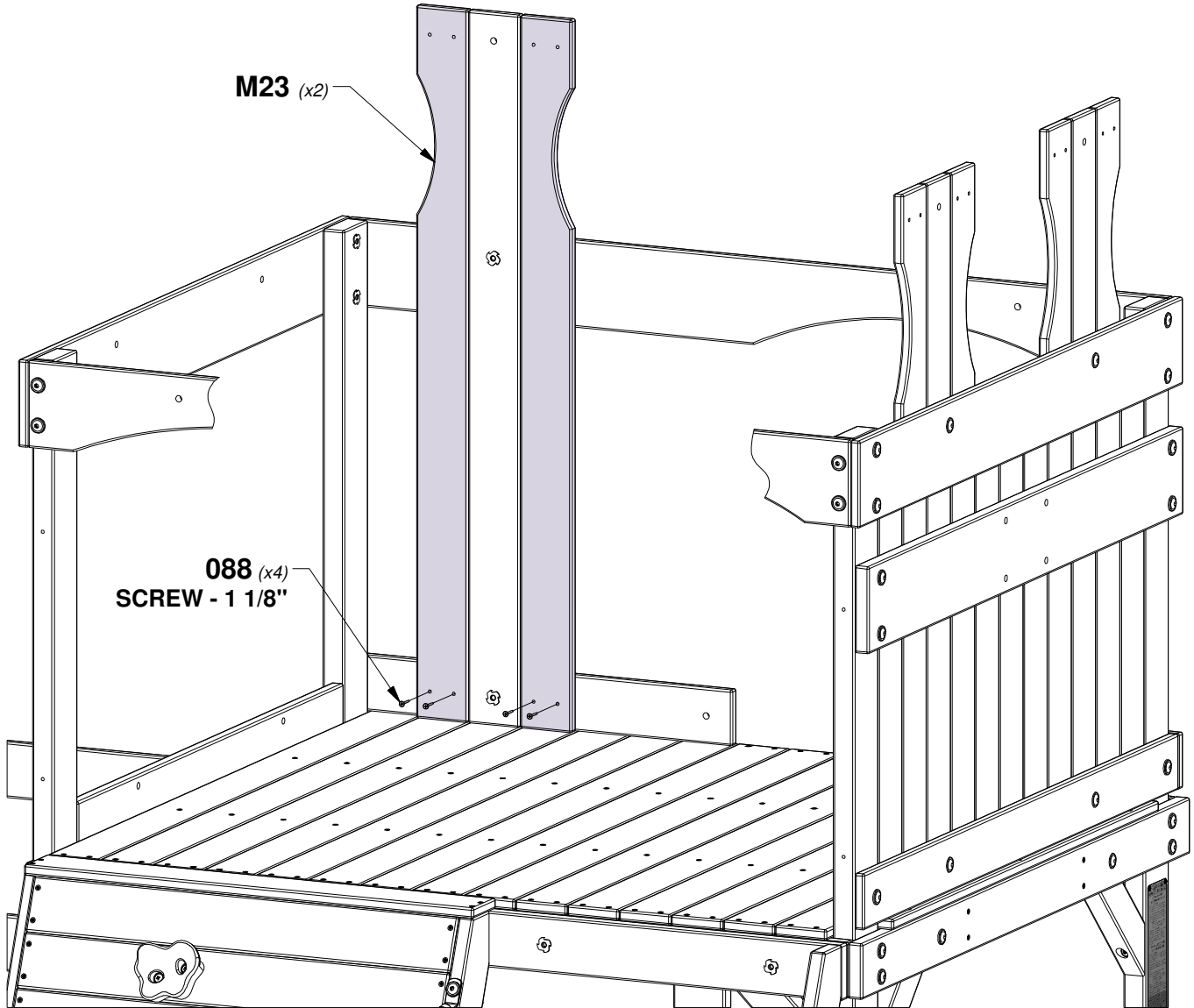
**M22** (x1)  
**009** (x2)  
 BOLT - 1 1/4"  
**030** (x2)  
 WASHER - 8x19  
**074** (x2)  
 T-NUT - 5/16"

# STEP 28 - FORT ASSEMBLY

QTY	PART NUMBER	DESCRIPTION
4	H100088	SCREW PFH 8x1-1/8"



**M23** | LONG ARCH ROOF SUPPORT - W104140  
(x2) | 5/8"x3 3/8"x43 1/4" (16x86x1098)



# STEP 29 - FORT ASSEMBLY

QTY	PART NUMBER	DESCRIPTION
18	H100088	SCREW PFH 8x1-1/8"

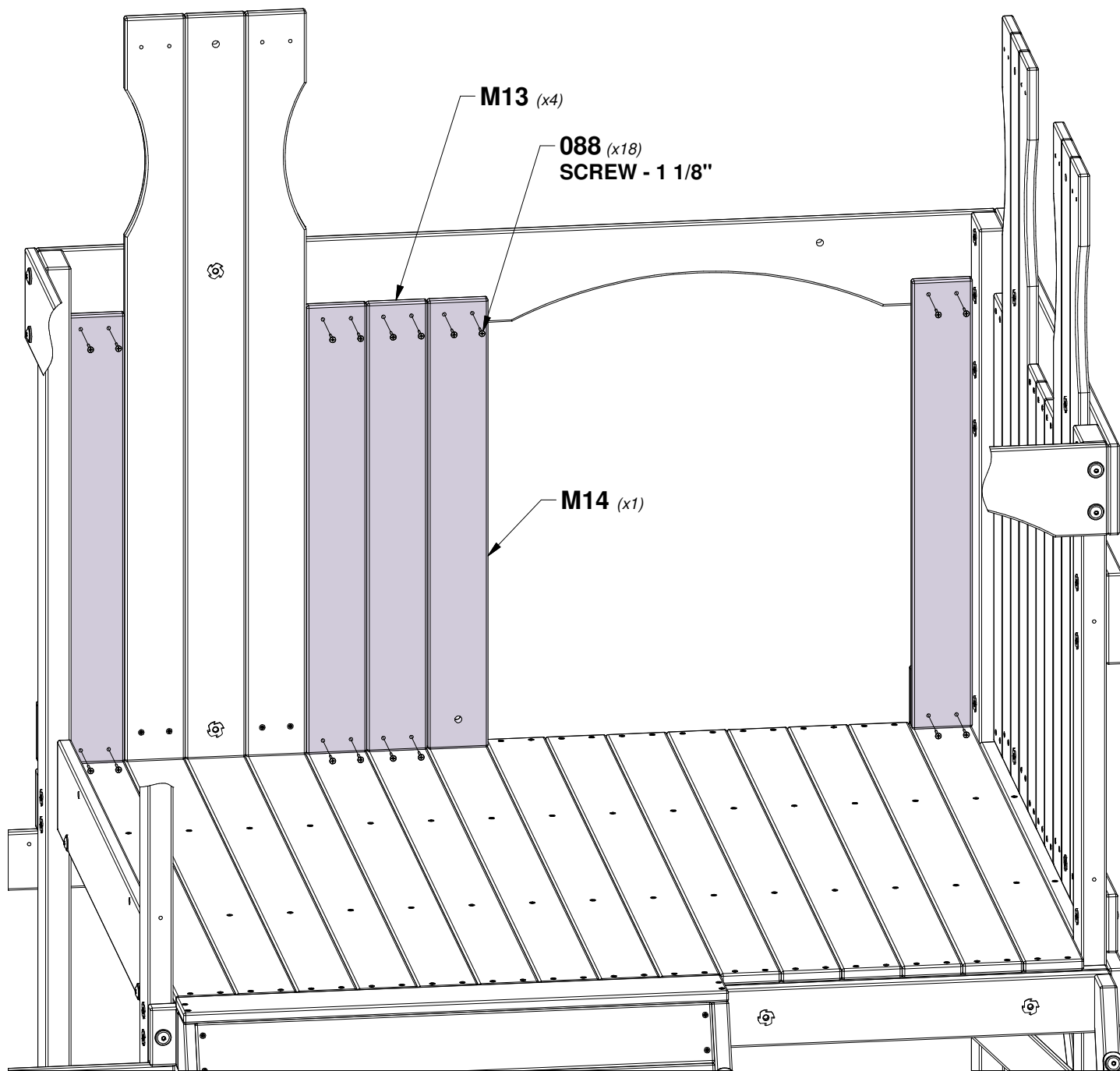


**M13** | WALL BOARD - W104137  
(x4) | 5/8"x3 3/8"x26 1/8" (16x86x662)

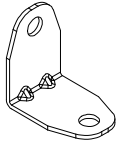


**M14** | WALL BOARD - W104138  
(x1) | 5/8"x3 3/8"x26 1/8" (16x86x662)

**TIP:**  
**SQUARE UP WALL BEFORE INSERTING SCREWS.**



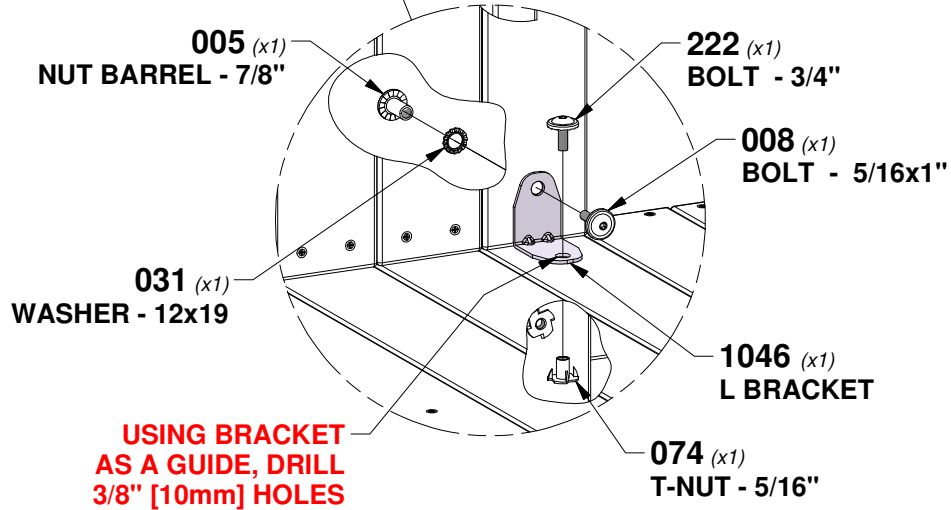
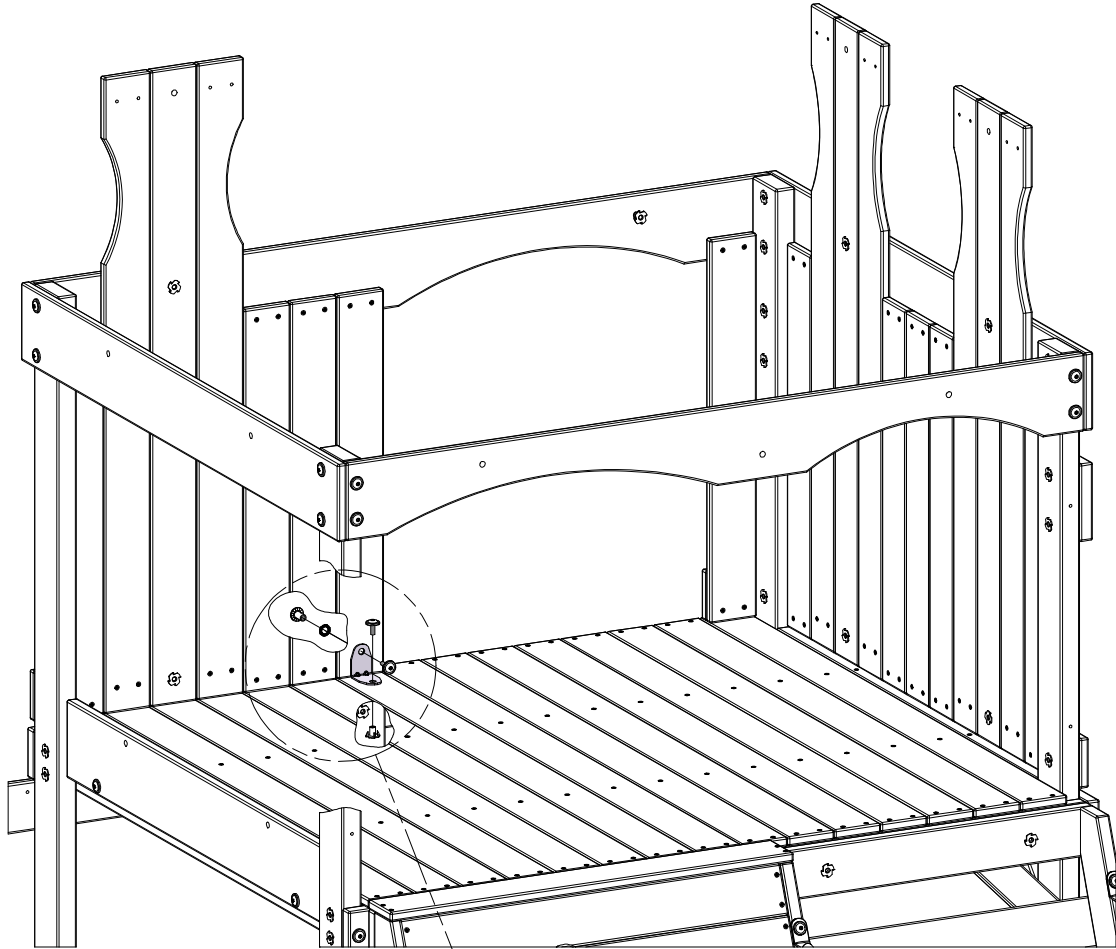
# STEP 30 - FORT ASSEMBLY



**A4M01046 | L BRACKET**  
(x1) | 2.5x38x55x55

QTY	PART NUMBER	DESCRIPTION
1	H100005	NUT BARREL WH 5/16x7/8
1	H100008	BOLT WH 5/16x1
1	H100031	WASHER LOCK EXT 12x19
1	H100074	T-NUT 5/16
1	H100222	BOLT WH 5/16x3/4

**TIP:**  
**INSTALL T-NUTS IN WOOD FIRST**



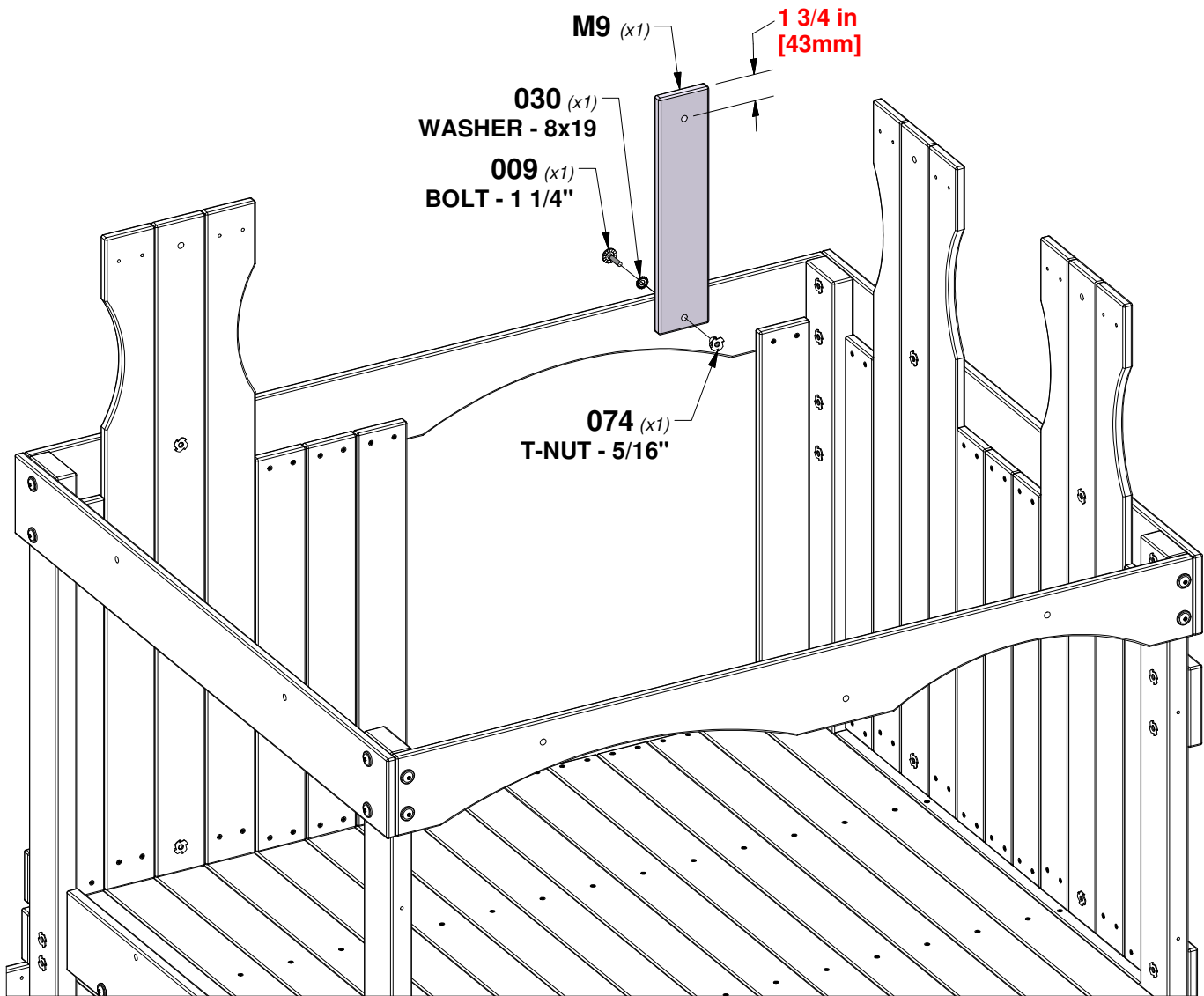
# STEP 31 - FORT ASSEMBLY



**M9** | SHORT ROOF SUPPORT - W104143  
(x1) | 5/8"x3 3/8"x15 5/8" (16x86x398)

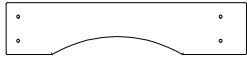
QTY	PART NUMBER	DESCRIPTION
1	H100009	BOLT WH 5/16x1 1/4
1	H100030	WASHER LOCK EXT 8x19
1	H100074	T-NUT 5/16

**TIP:**  
INSTALL T-NUTS IN WOOD FIRST

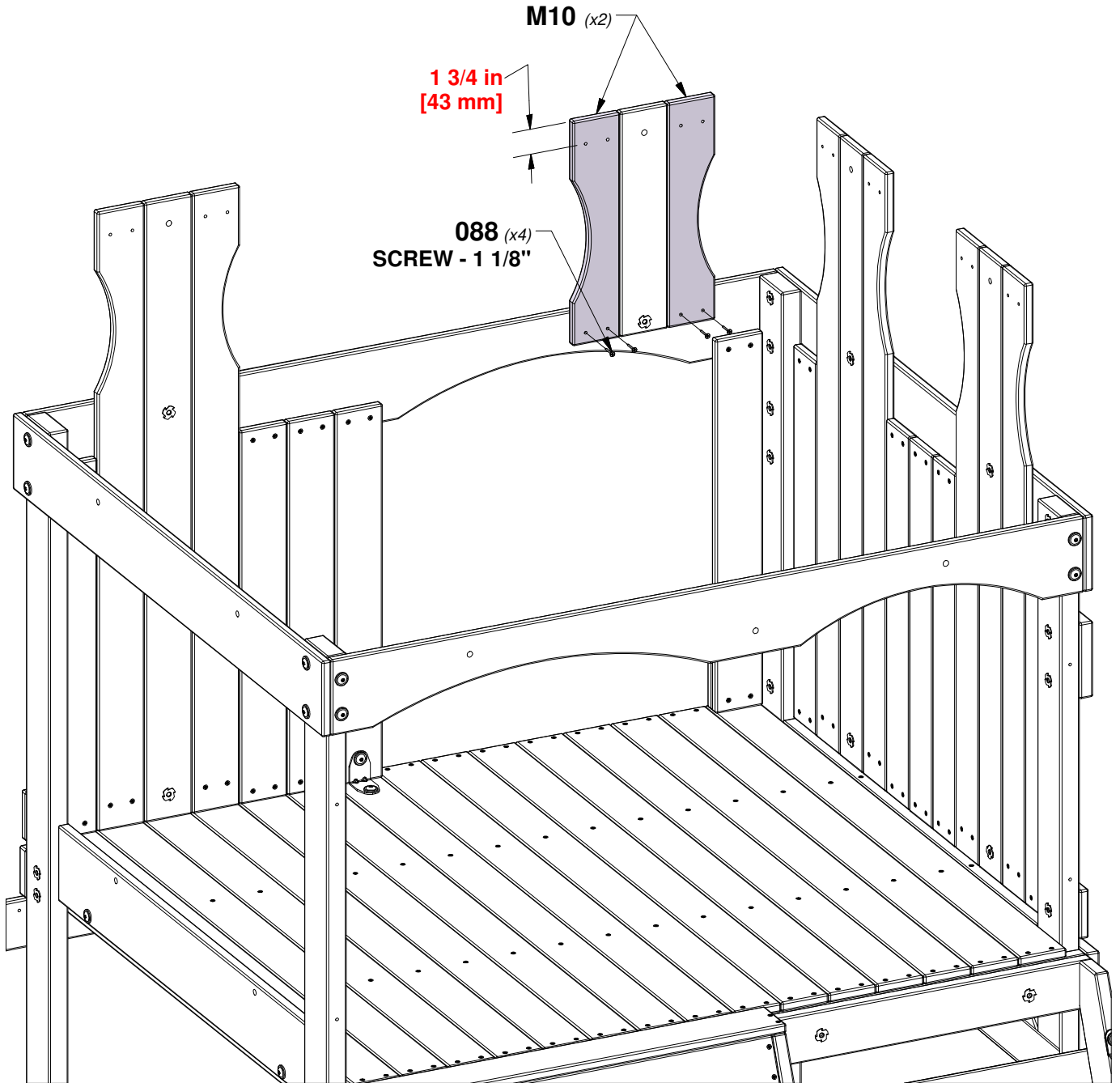


# STEP 32 - FORT ASSEMBLY

QTY	PART NUMBER	DESCRIPTION
4	H100088	SCREW PFH 8x1-1/8"



**M10** | ARCH ROOF SUPPORT - W104144  
(x2) | 5/8"x3 3/8"x15 5/8" (16x86x398)



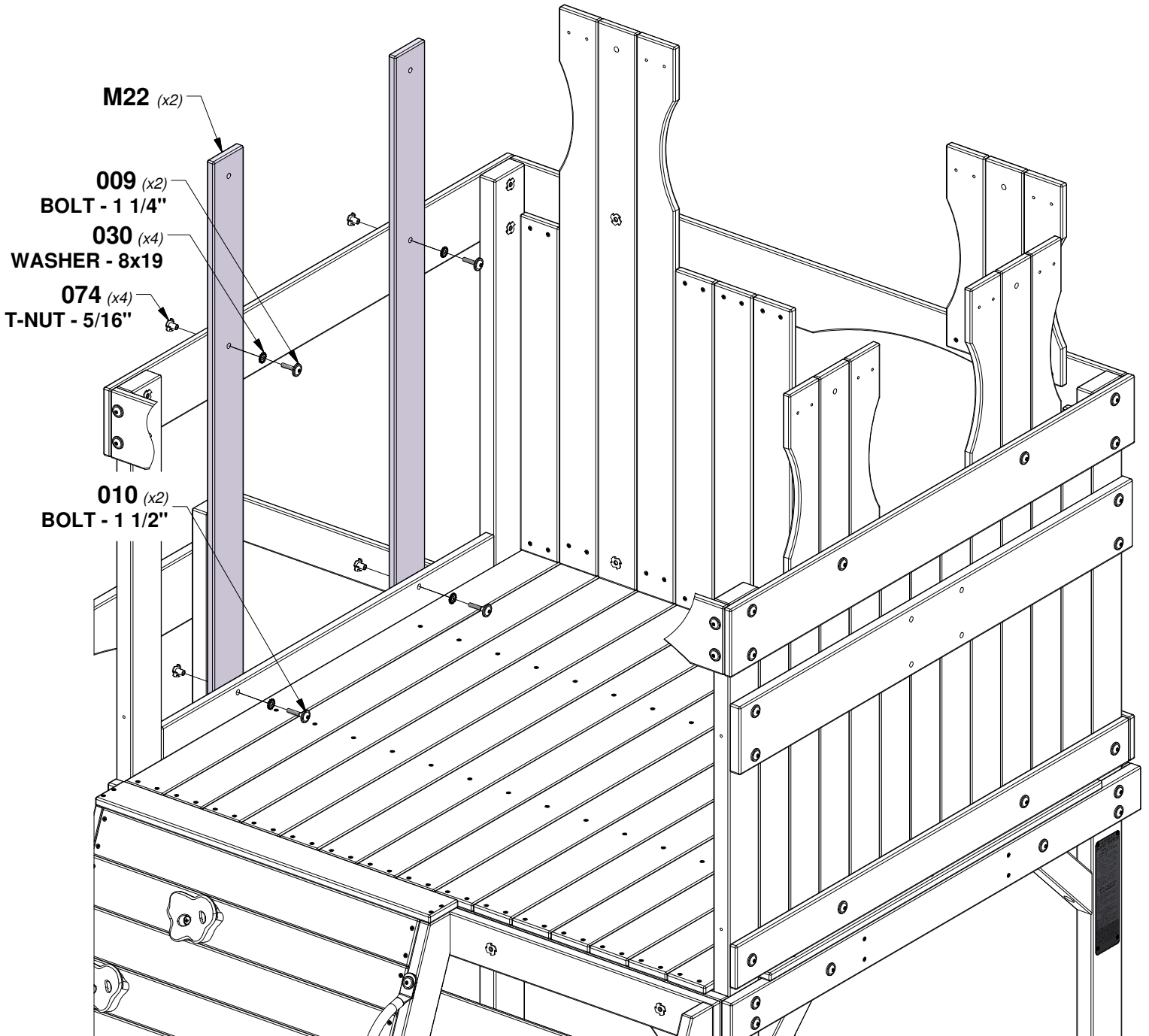
# STEP 33 - FORT ASSEMBLY



**M22** | LONG ROOF SUPPORT - W104139  
 (x2) | 5/8"x3 3/8"x43 1/4" (16x86x1098)

QTY	PART NUMBER	DESCRIPTION
2	H100009	BOLT WH 5/16x1 1/4
2	H100010	BOLT WH 5/16x1 1/2
4	H100030	WASHER LOCK EXT 8x19
4	H100074	T-NUT 5/16

**TIP:**  
**INSTALL T-NUTS IN WOOD FIRST**



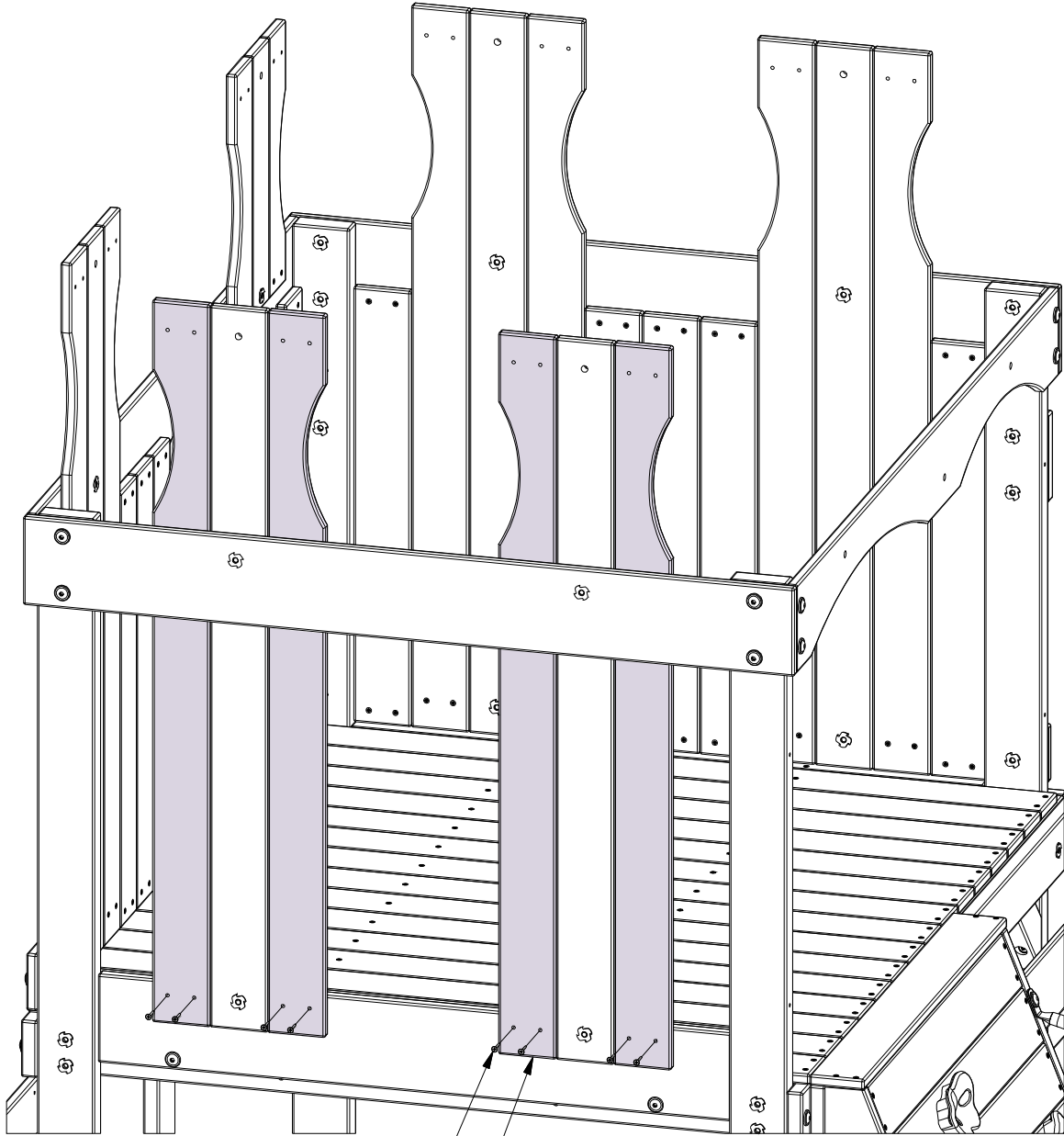


# STEP 34 - FORT ASSEMBLY

QTY	PART NUMBER	DESCRIPTION
8	H100088	SCREW PFH 8x1-1/8"



**M23** | LONG ARCH ROOF SUPPORT - W104140  
(x4) | 5/8"x3 3/8"x43 1/4" (16x86x1098)



**088** (x8)  
SCREW - 1 1/8"

**M23** (x4)

# STEP 35 - FORT ASSEMBLY

QTY	PART NUMBER	DESCRIPTION
20	H100088	SCREW PFH 8x1-1/8"



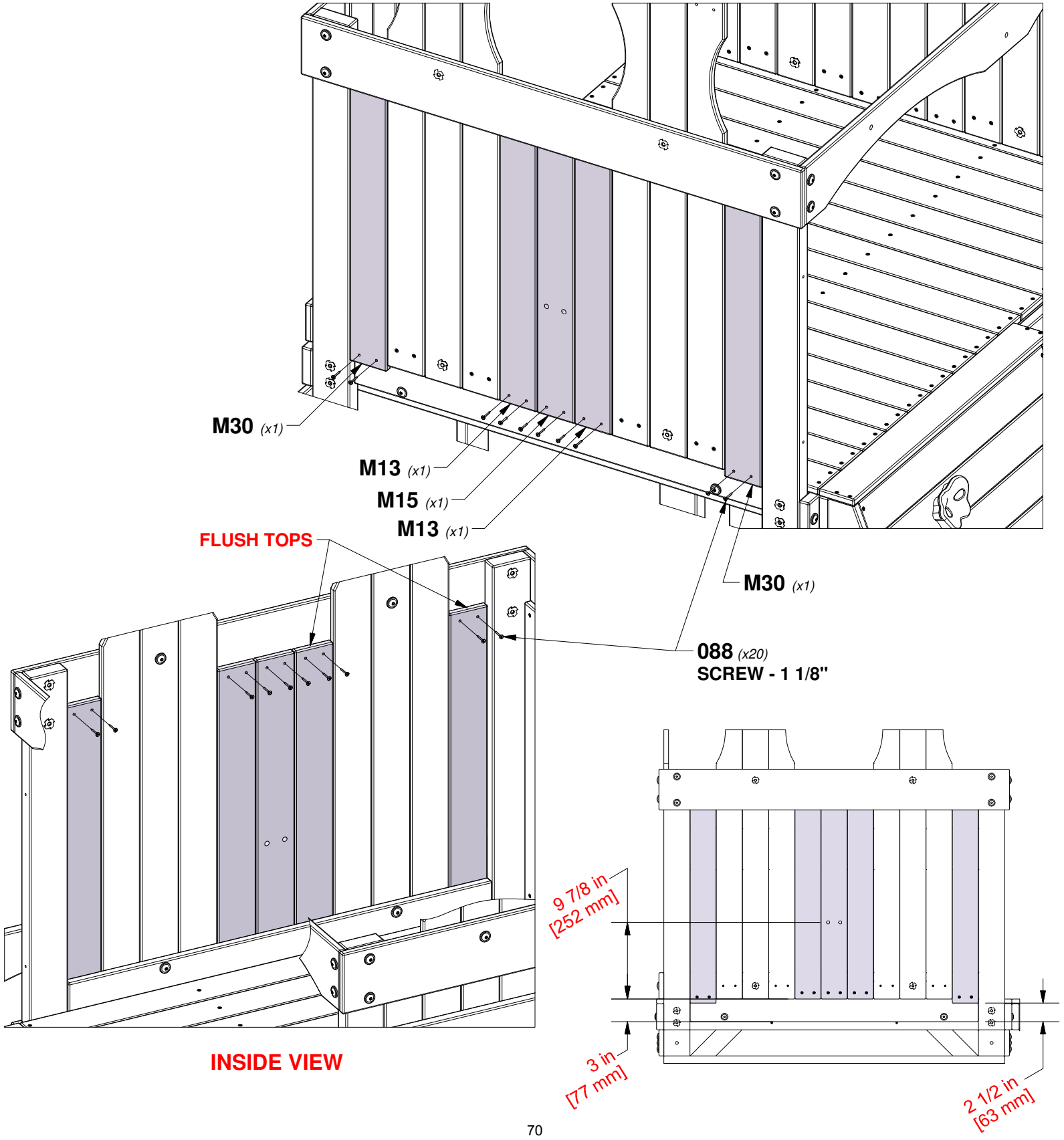
**M13** | WALL BOARD - W104137  
 (x2) 5/8"x3 3/8"x26 1/8" (16x86x662)



**M15** | WALL BOARD - W104160  
 (x1) 5/8"x3 3/8"x26 1/8" (16x86x662)



**M30** | WALL BOARD - W4L17461  
 (x2) 5/8"x3 3/8"x26 5/8" (16x86x676)



# STEP 36 - FORT ASSEMBLY



**M18** | ENTRANCE WALL BOARD - W104141  
(x1) | 5/8"x3 3/8"x27 7/8" (16x86x708)



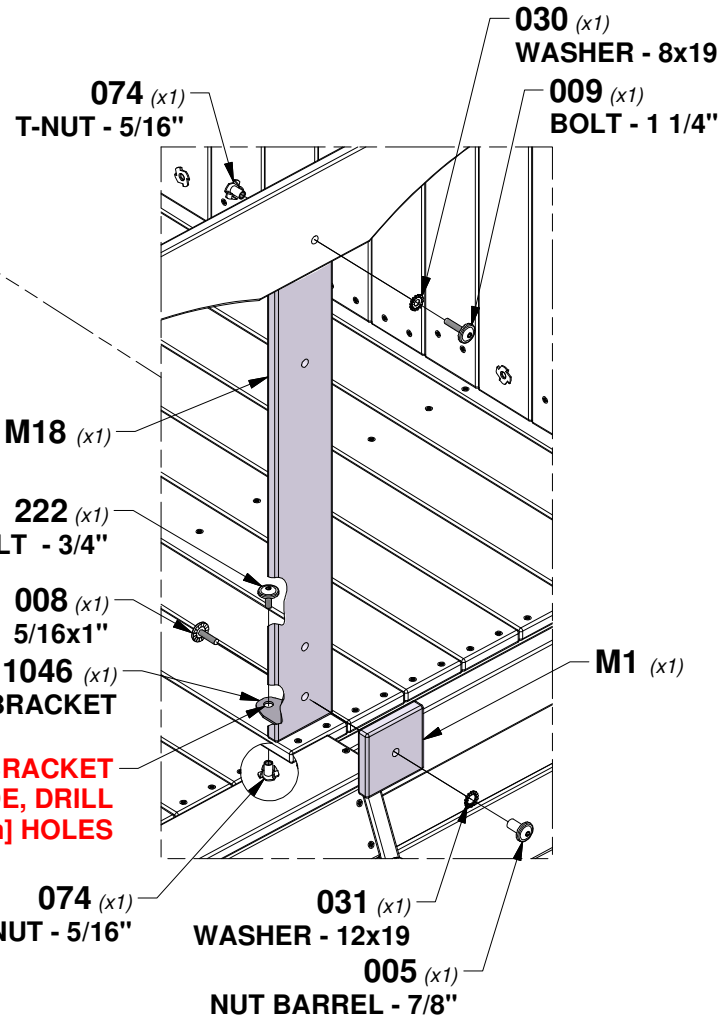
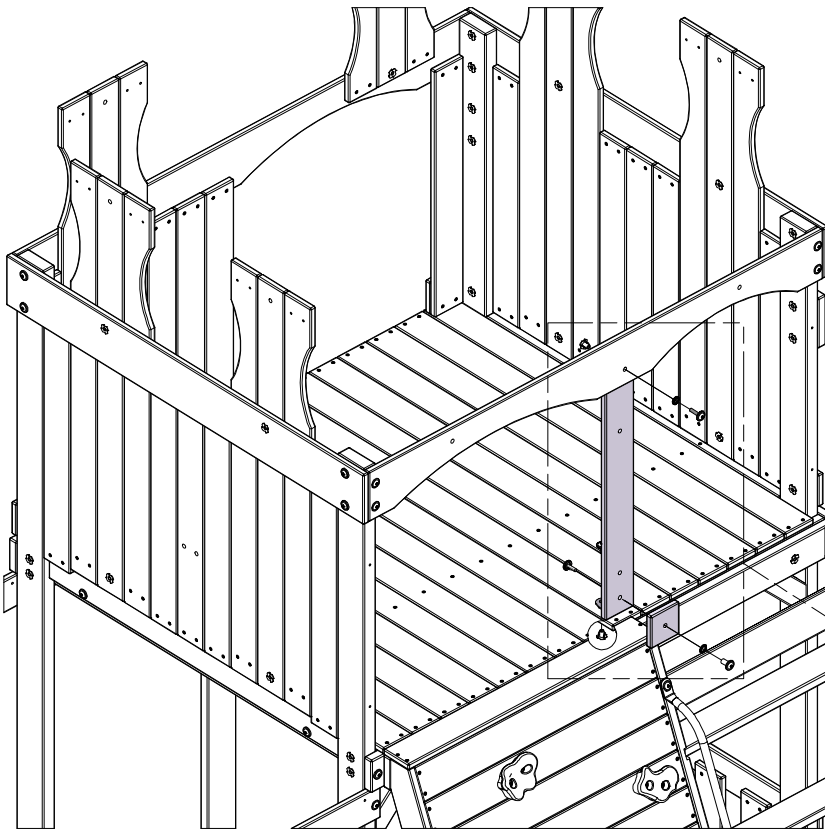
**M1** | DECORATIVE WALL RAIL - W104142  
(x1) | 5/8"x3 3/8"x3 3/8" (16x86x86)



**A4M01046** | L BRACKET  
(x1) | 2.5x38x55x55

QTY	PART NUMBER	DESCRIPTION
1	H100005	NUT BARREL WH 5/16x7/8
1	H100008	BOLT WH 5/16x1
1	H100009	BOLT WH 5/16x1 1/4
1	H100030	WASHER LOCK EXT 8x19
1	H100031	WASHER LOCK EXT 12x19
2	H100074	T-NUT 5/16
1	H100222	BOLT WH 5/16x3/4

**TIP:**  
INSTALL T-NUTS IN WOOD FIRST



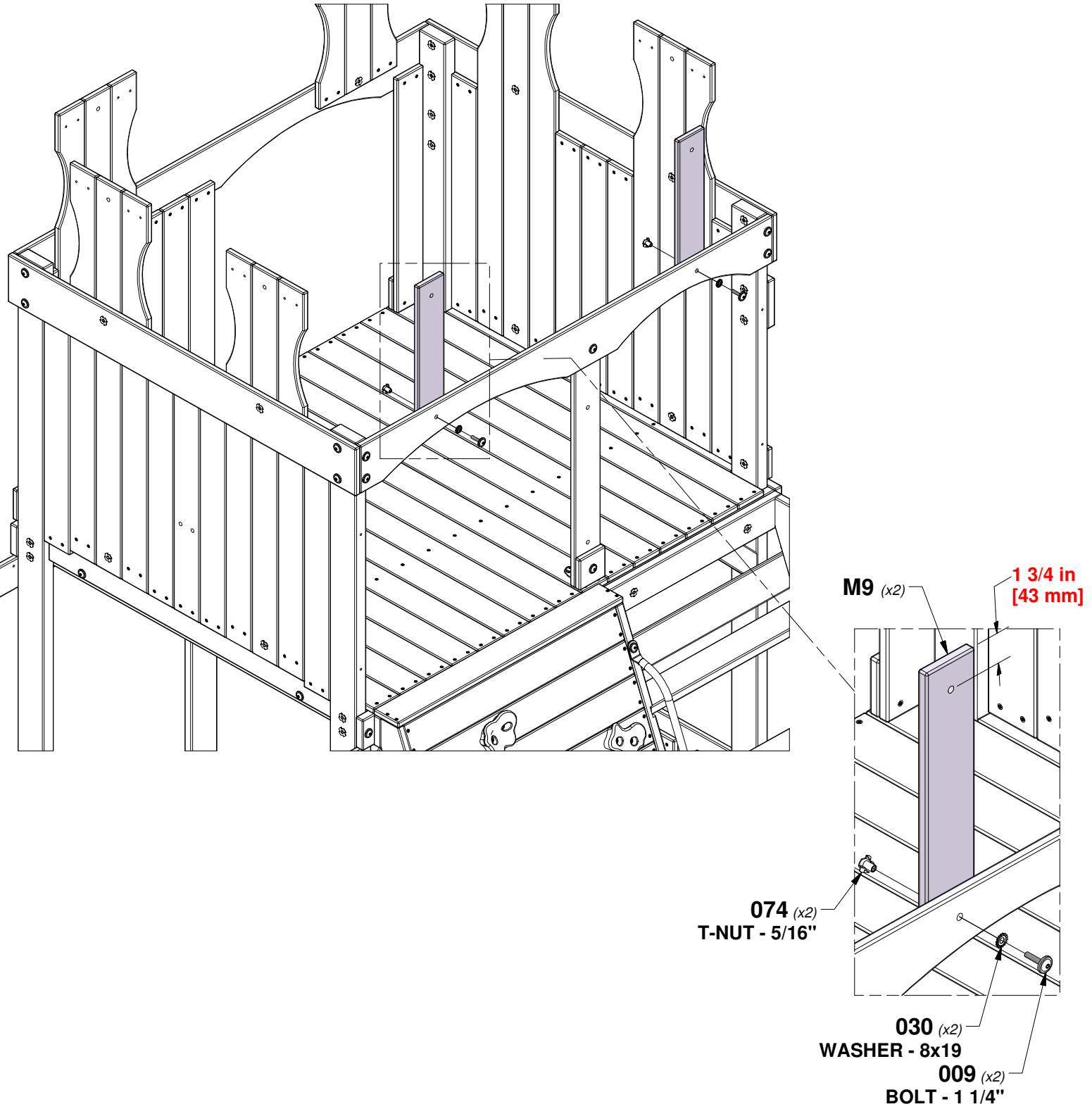
# STEP 37 - FORT ASSEMBLY

QTY	PART NUMBER	DESCRIPTION
2	H100009	BOLT WH 5/16x1 1/4
2	H100030	WASHER LOCK EXT 8x19
2	H100074	T-NUT 5/16



**M9** | SHORT ROOF SUPPORT - W104143  
 (x2) | 5/8"x3 3/8"x15 5/8" (16x86x398)

**TIP:**  
 INSTALL T-NUTS IN WOOD FIRST

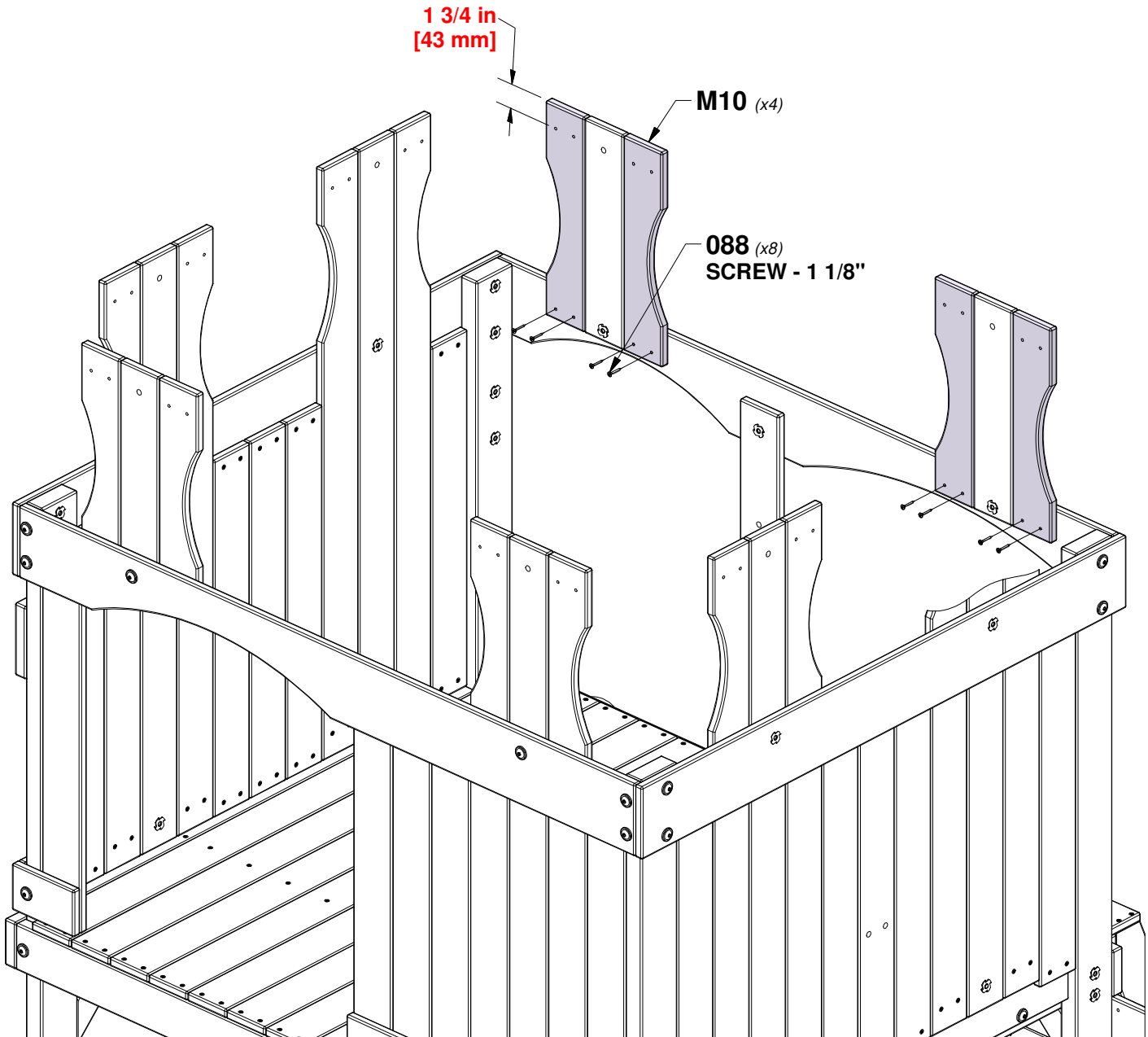


# STEP 38 - FORT ASSEMBLY

QTY	PART NUMBER	DESCRIPTION
8	H100088	SCREW PFH 8x1-1/8"



**M10** | ARCH ROOF SUPPORT - W104144  
(x4) | 5/8"x3 3/8"x15 5/8" (16x86x398)



# STEP 39 - FORT ASSEMBLY

QTY	PART NUMBER	DESCRIPTION
32	H100088	SCREW PFH 8x1-1/8"

**M29** | WALL BOARD - W104125  
(x4) | 5/8"x3 3/8"x57 1/4" (16x86x1454)



**M20** | LOWER WALL BOARD - W104127  
(x2) | 5/8"x3 3/8"x29 5/8" (16x86x754)



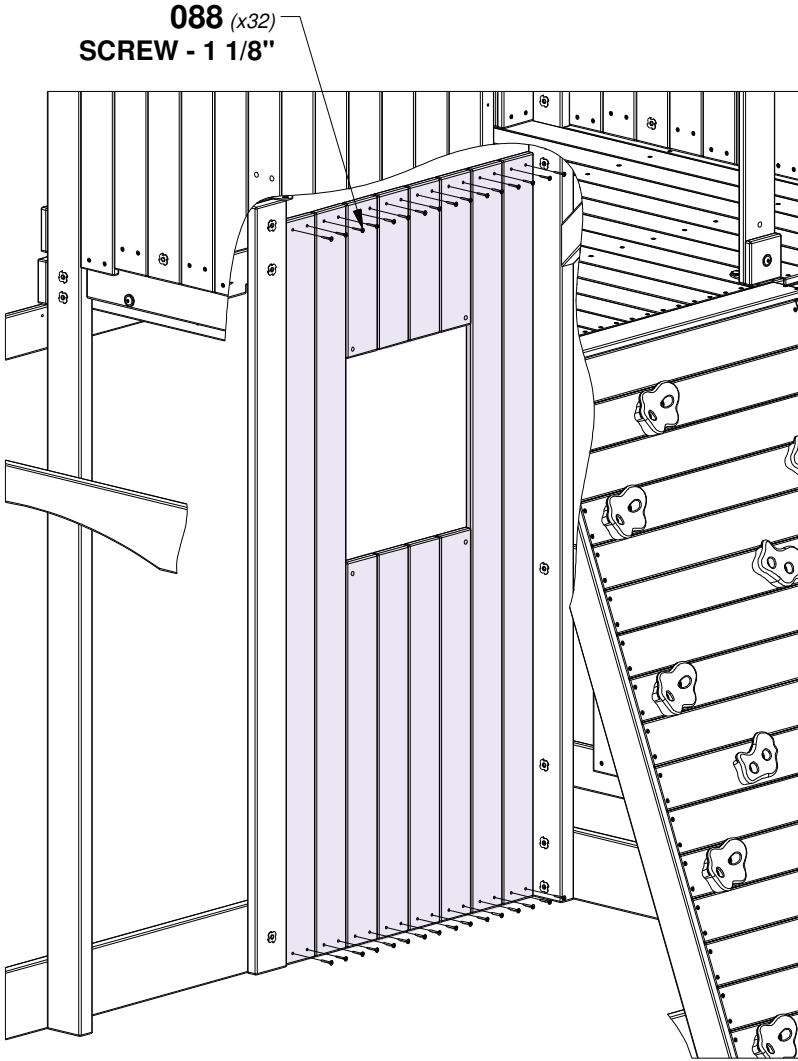
**M7** | UPPER WALL BOARD - W104129  
(x2) | 5/8"x3 3/8"x11 7/8" (16x86x302)



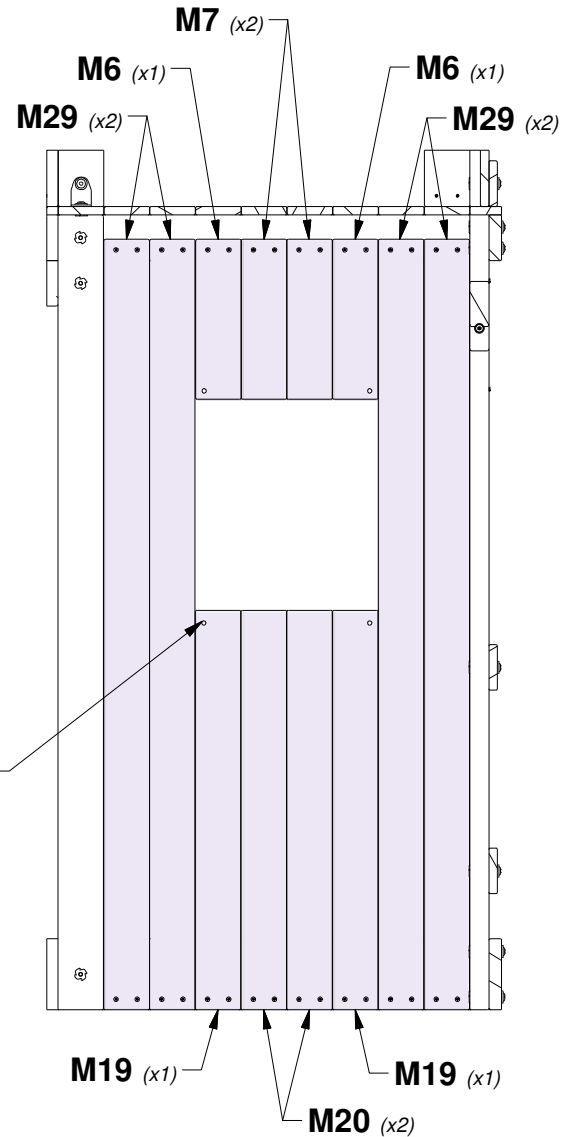
**M19** | LOWER WALL BOARD - W104126  
(x2) | 5/8"x3 3/8"x29 5/8" (16x86x754)



**M6** | UPPER WALL BOARD - W104128  
(x2) | 5/8"x3 3/8"x11 7/8" (16x86x302)



**NOTE (4) HOLE LOCATIONS**

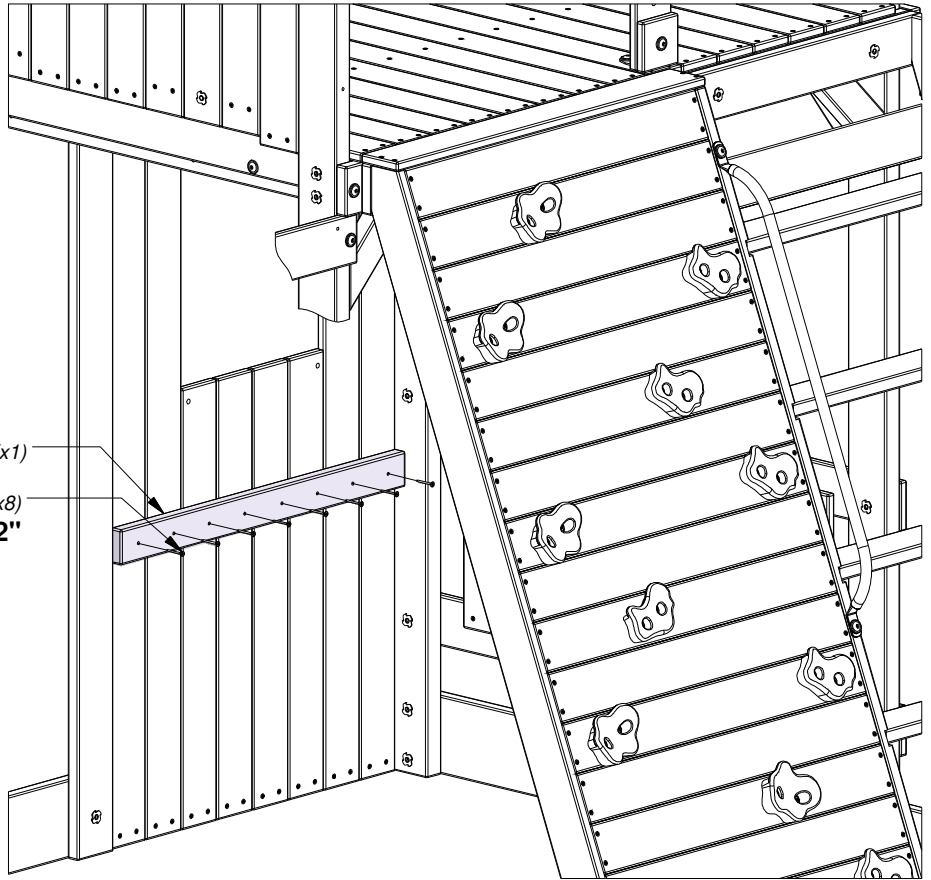


# STEP 40 - FORT ASSEMBLY

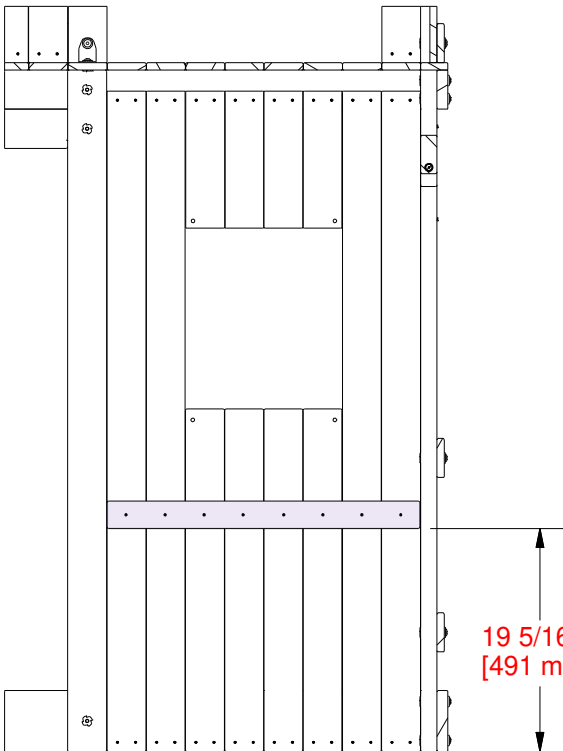
QTY	PART NUMBER	DESCRIPTION
8	H100086	SCREW PFH 8x1-1/2"



**J2** | WALL RAIL - W104181  
 (x1) | 1"x2 3/8"x27 1/8" (24x60x690)

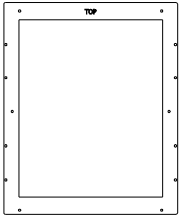


**J2** (x1)  
**086** (x8)  
 SCREW - 1 1/2"

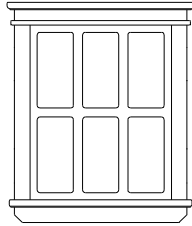


# STEP 41 - FORT ASSEMBLY

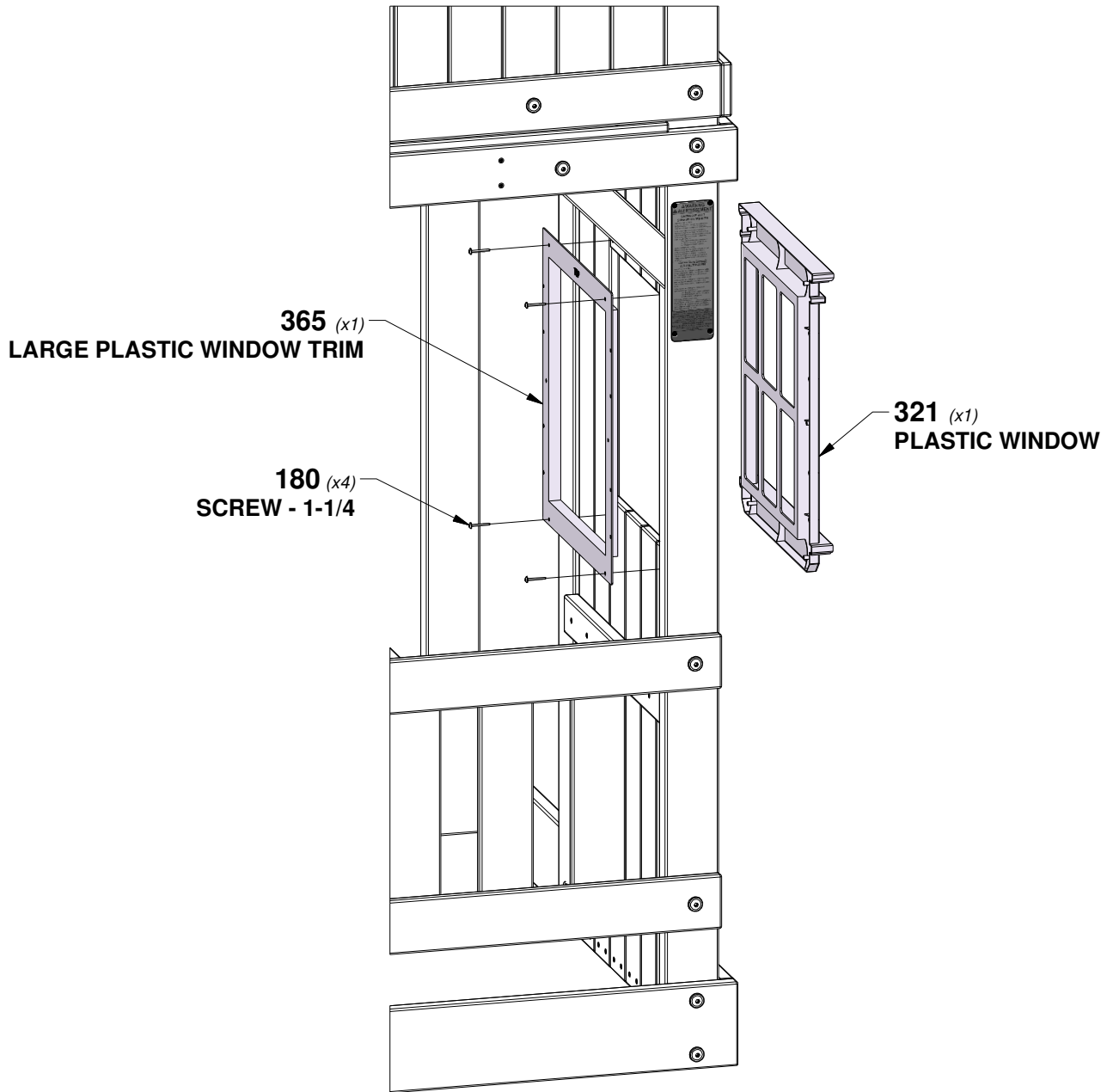
QTY	PART NUMBER	DESCRIPTION
4	H100180	SCREW PWH 8x1-1/4



**A100365** | LARGE PLASTIC WINDOW TRIM  
(x1)



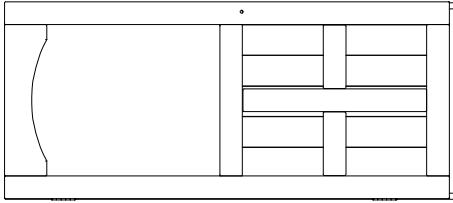
**A100321** | PLASTIC WINDOW  
(x1) | 44x412x485





# STEP 42 - FORT ASSEMBLY

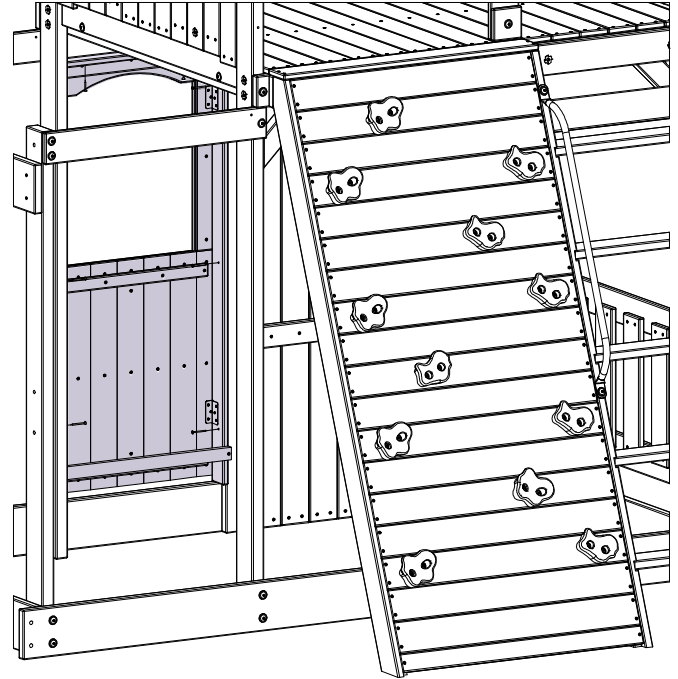
QTY	PART NUMBER	DESCRIPTION
2	H100088	SCREW PFH 8x1-1/8"
6	H100089	SCREW PFH 8x1-3/4"



**DP1** | DOOR ASSEMBLY - W104183  
 (x1) 4 1/8"x20 3/8"x47" (104.5x519x1194)

**AFTER DOOR PANEL IS COMPLETELY INSTALLED, REMOVE SHIPPING STRAP AND 1-3/4" WOOD SCREWS FROM DOOR ASSEMBLY. SHIPPING STRAP FOR SHIPPING PURPOSES ONLY.**

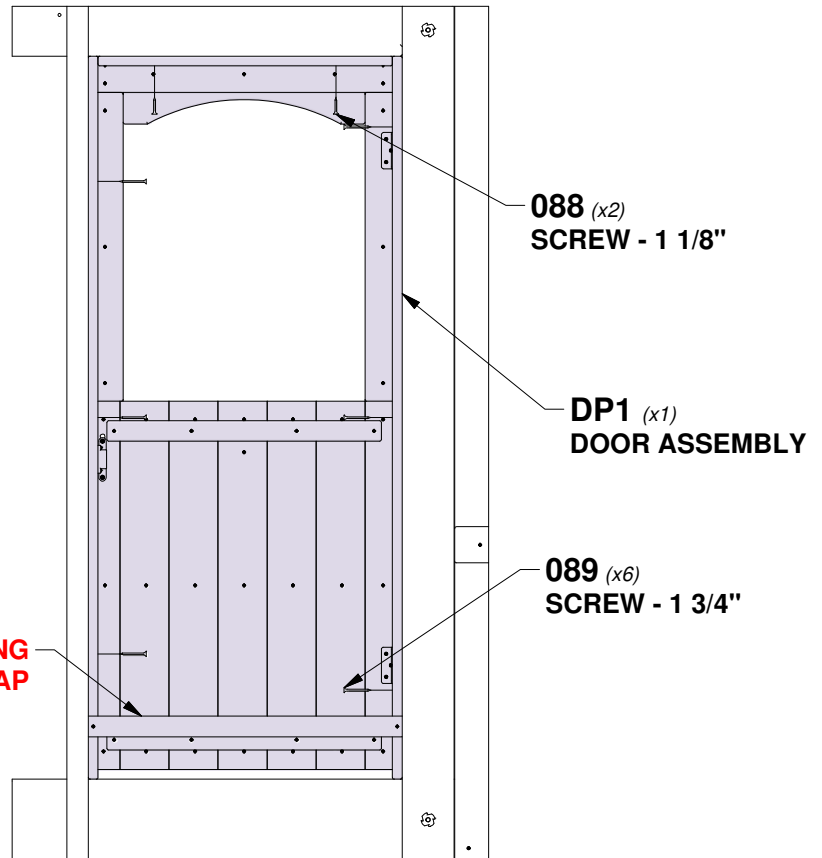
**\*SHIPPING STRAP MAY NEED TO BE REMOVED FIRST TO AID IN FIT UP.**



1 3/8 in  
 [37 mm]

**FLUSH DOOR FRAME WITH GROUND BOARD**

**DOOR ASSEMBLY  
 SIDE VIEW**



**SHIPPING STRAP**

**088 (x2)  
 SCREW - 1 1/8"**

**DP1 (x1)  
 DOOR ASSEMBLY**

**089 (x6)  
 SCREW - 1 3/4"**

**INSIDE VIEW**

# STEP 43 - FORT ASSEMBLY

QTY	PART NUMBER	DESCRIPTION
28	H100088	SCREW PFH 8x1-1/8"



**M19** | LOWER WALL BOARD - W104126  
(x2) | 5/8"x3 3/8"x29 5/8" (16x86x754)



**M4** | UPPER WALL BOARD - W104131  
(x2) | 5/8"x3 3/8"x8 1/2" (16x86x216)



**M20** | LOWER WALL BOARD - W104127  
(x2) | 5/8"x3 3/8"x29 5/8" (16x86x754)

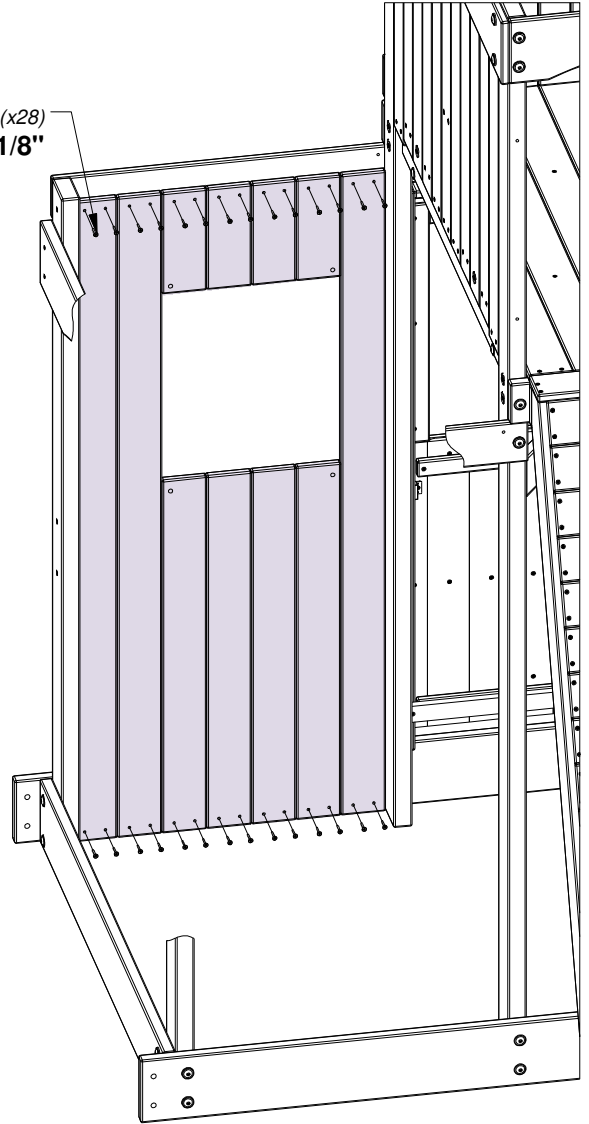


**M5** | UPPER WALL BOARD - W104132  
(x2) | 5/8"x3 3/8"x8 1/2" (16x86x216)

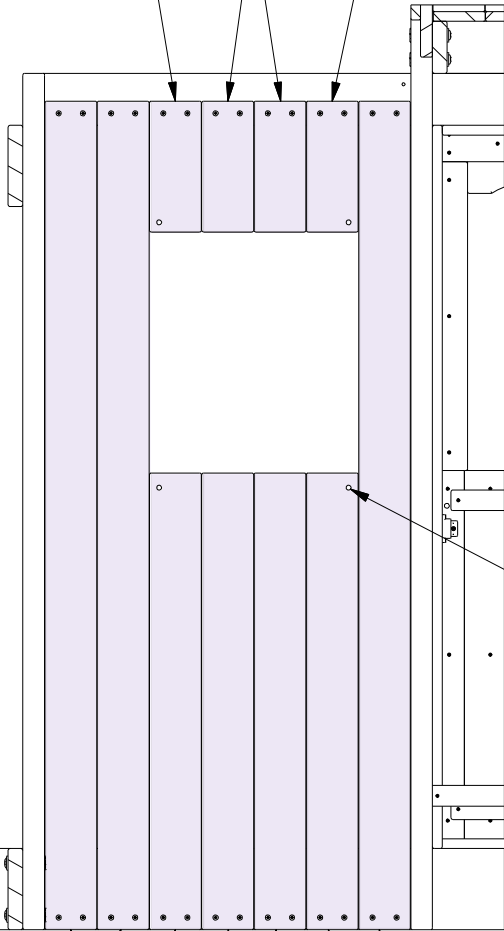


**M28** | WALL BOARD - W104130  
(x3) | 5/8"x3 3/8"x53 7/8" (16x86x1368)

**088** (x28)  
SCREW - 1 1/8"



**M5** (x2)  
**M4** (x1)



**NOTE (4) HOLE LOCATIONS**

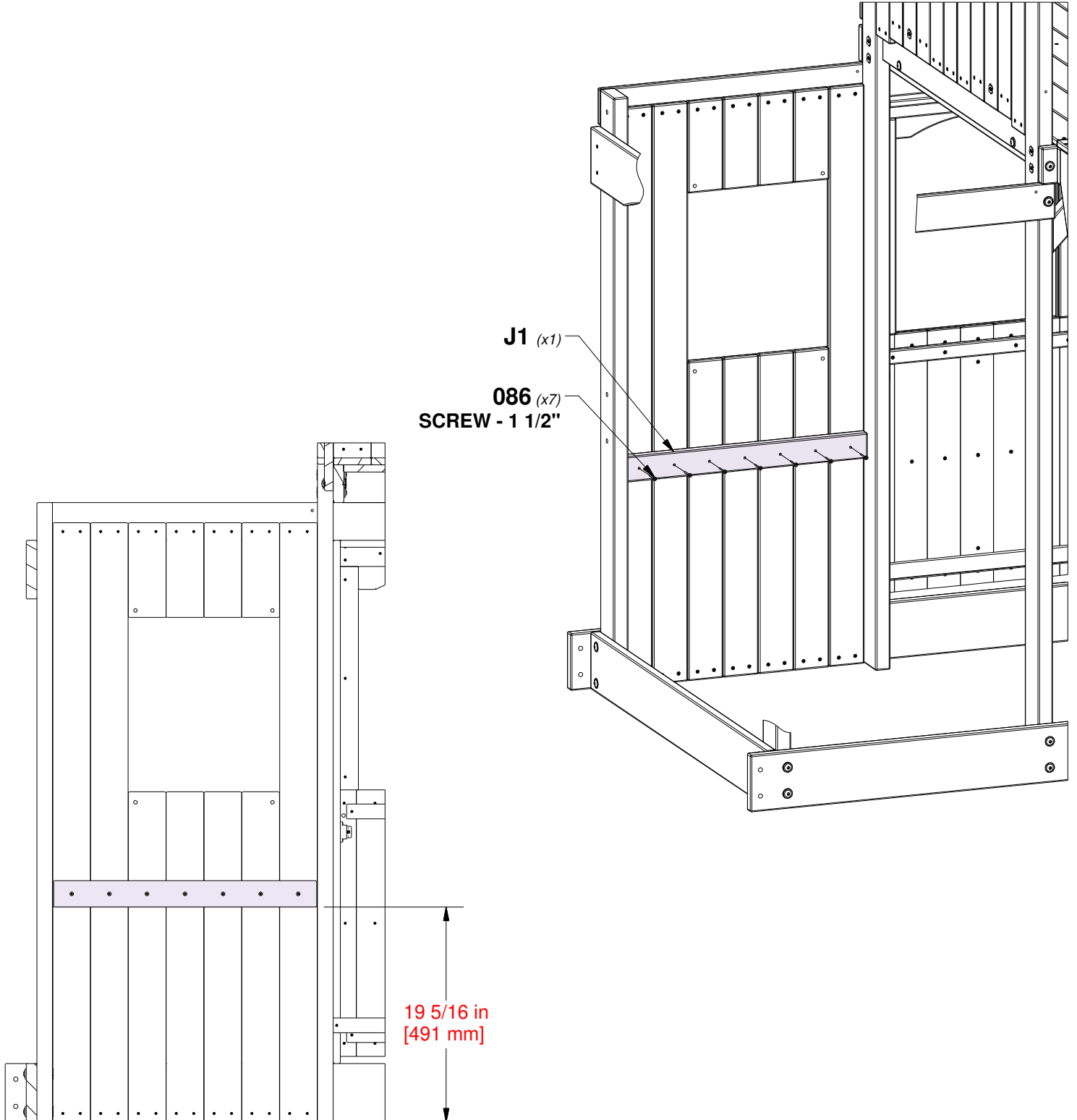
**M28** (x2)  
**M19** (x1)  
**M20** (x2)  
**M19** (x1)  
**M28** (x1)

# STEP 44 - FORT ASSEMBLY

QTY	PART NUMBER	DESCRIPTION
7	H100086	SCREW PFH 8x1-1/2"

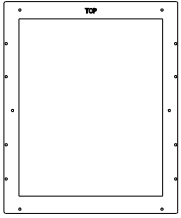


**J1** | WALL RAIL - W104180  
(x1) | 1"x2 3/8"x23 3/4" (24x60x602)

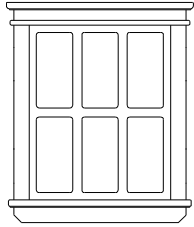


# STEP 45 - FORT ASSEMBLY

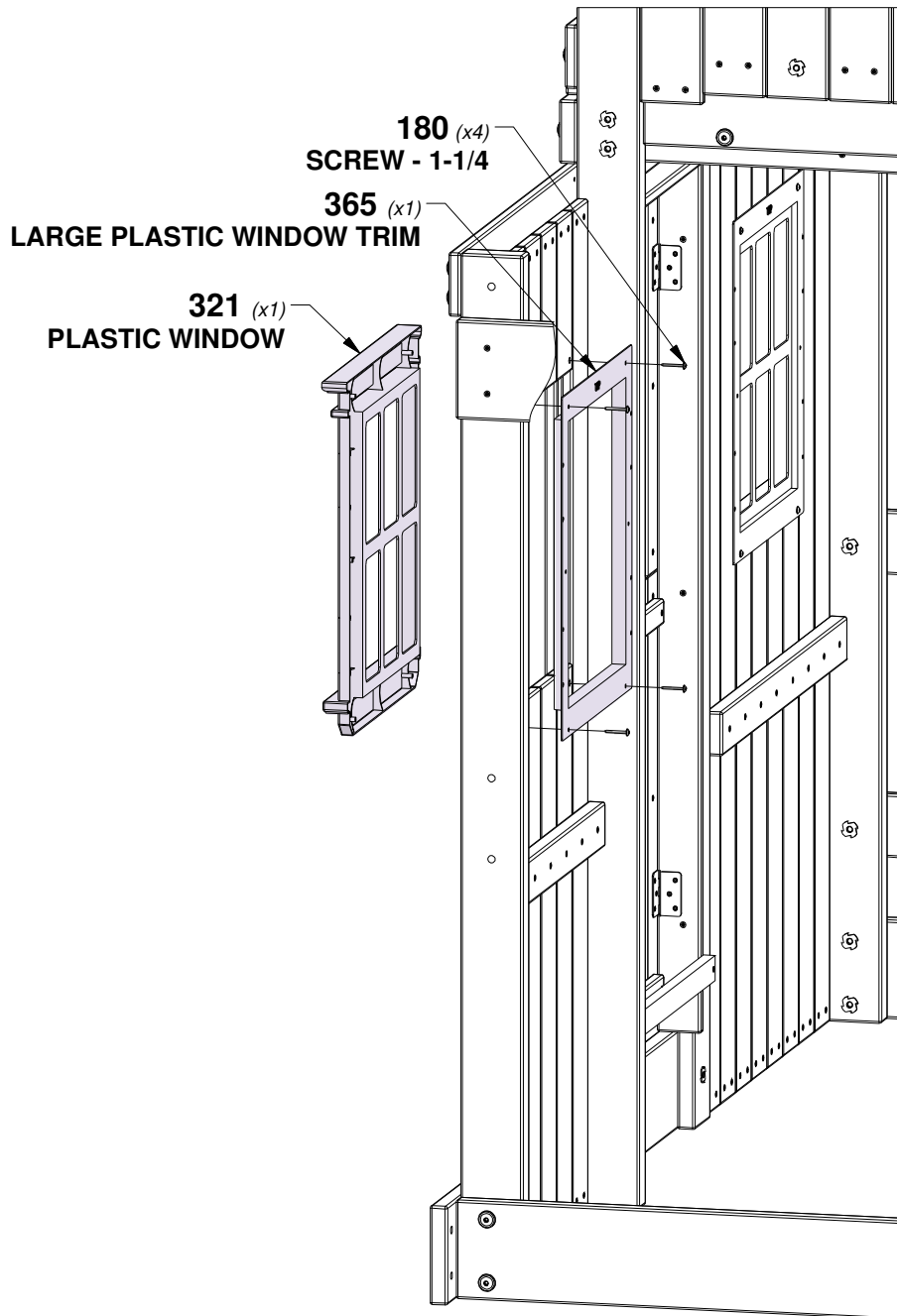
QTY	PART NUMBER	DESCRIPTION
4	H100180	SCREW PWH 8x1-1/4



A100365 | LARGE PLASTIC WINDOW TRIM  
(x1)



A100321 | PLASTIC WINDOW  
(x1) 44x412x485



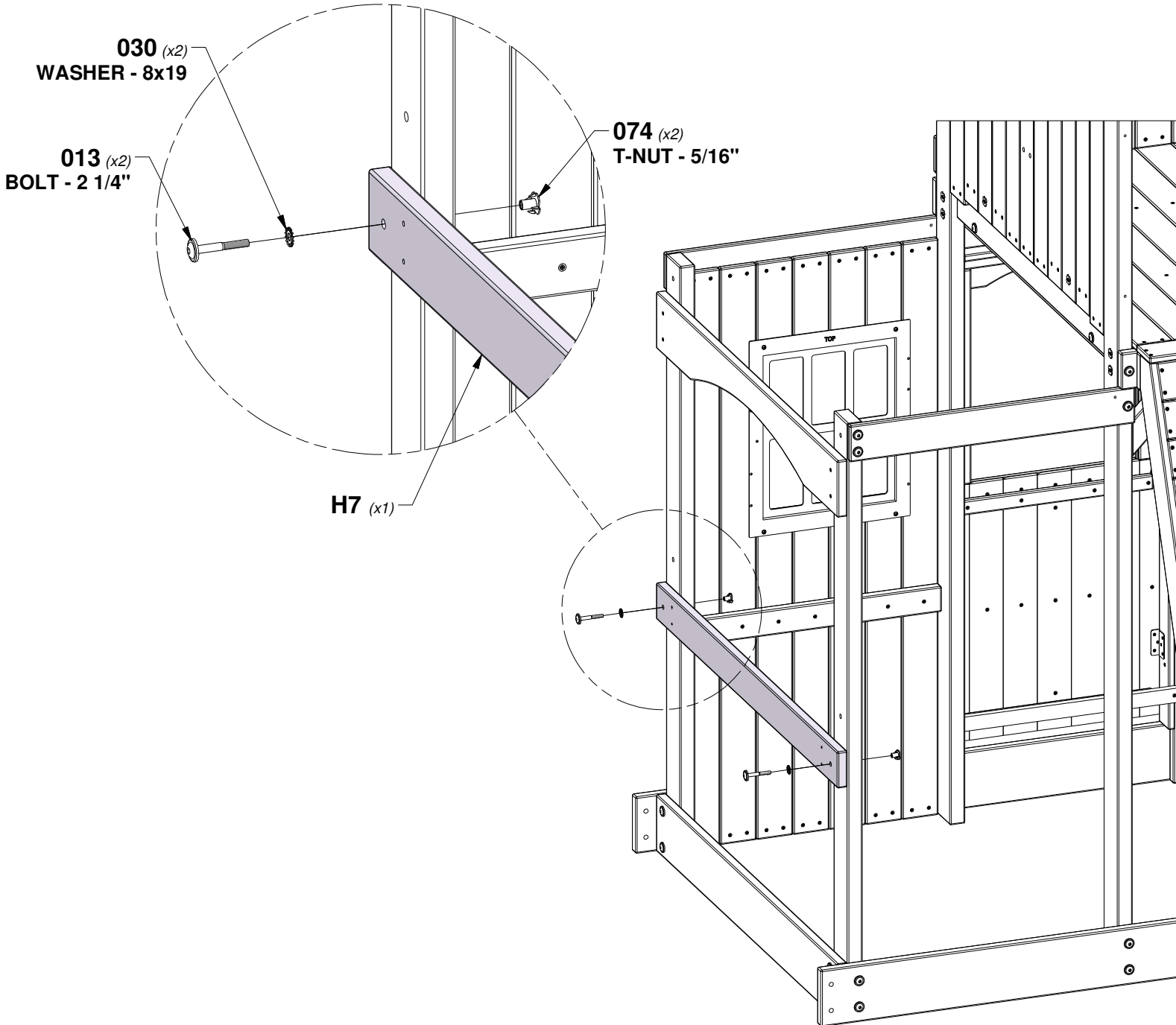
# STEP 46 - FORT ASSEMBLY

QTY	PART NUMBER	DESCRIPTION
2	H100013	BOLT WH 5/16x2 1/4
2	H100030	WASHER LOCK EXT 8x19
2	H100074	T-NUT 5/16



**H7** | SHELF SUPPORT RAIL - W104161  
(x1) | 1"x3 3/8"x44 1/4" (24x86x1124)

**TIP:**  
INSTALL T-NUTS IN WOOD FIRST

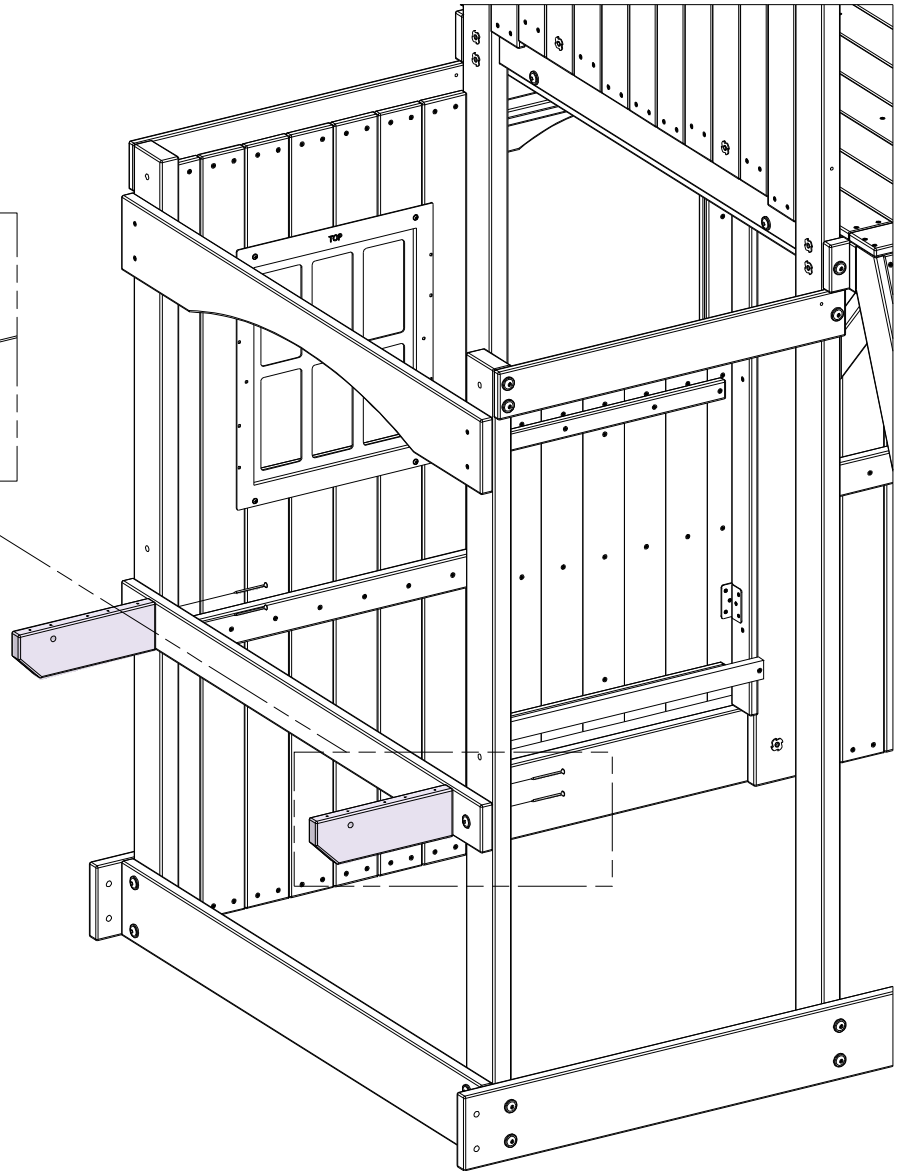
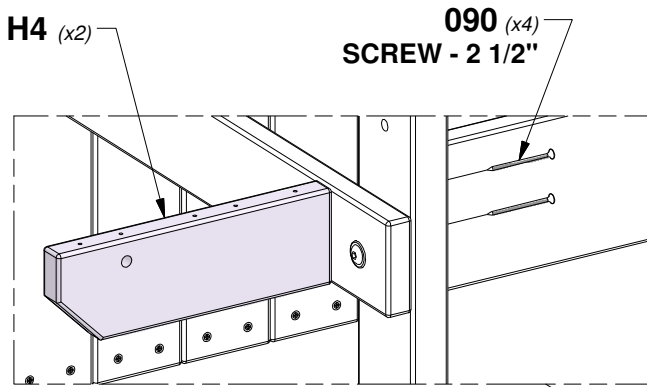


# STEP 47 - FORT ASSEMBLY

QTY	PART NUMBER	DESCRIPTION
4	H100090	SCREW PFH 8x2 1/2

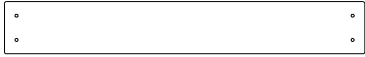


**H4** | SHELF SUPPORT - W4L16742  
(x2) | 1"x3 3/8"x10 1/2" (24x86x268)



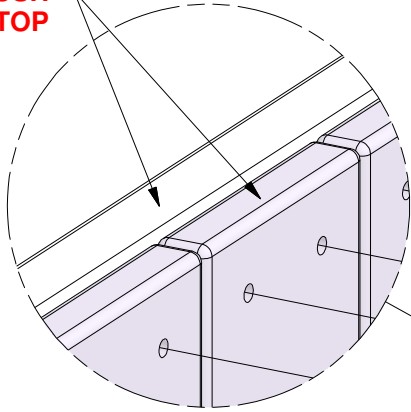
# STEP 48 - FORT ASSEMBLY

QTY	PART NUMBER	DESCRIPTION
44	H100088	SCREW PFH 8x1-1/8"

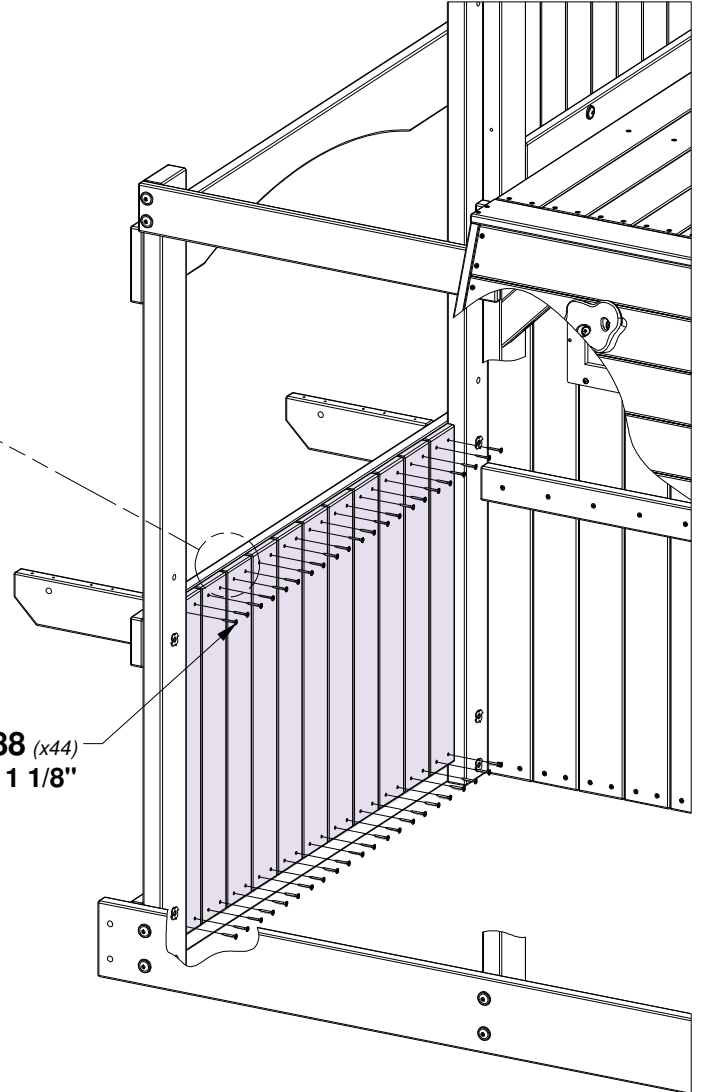


**M11** | WALL BOARD - W104169  
 (x11) | 5/8"x3 3/8"x23 1/2" (16x86x596)

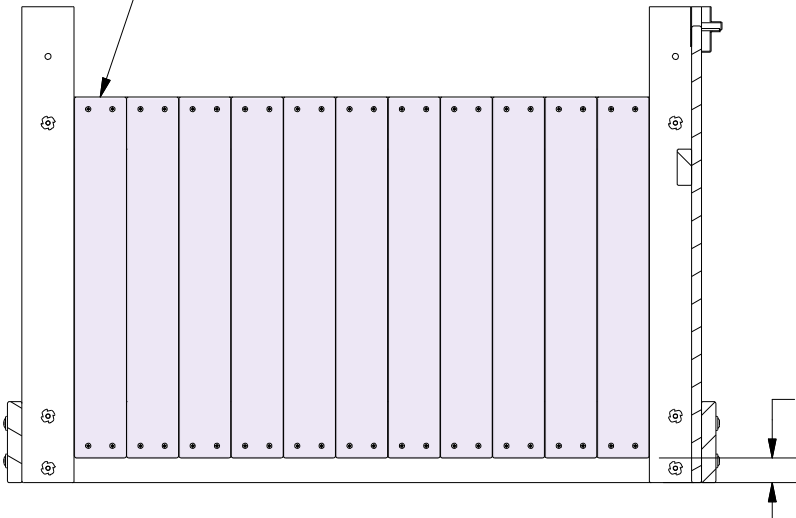
**FLUSH  
 AT TOP**



**088 (x44)**  
**SCREW - 1 1/8"**




**M11 (x11)**



**1 5/8 in**  
**[41 mm]**

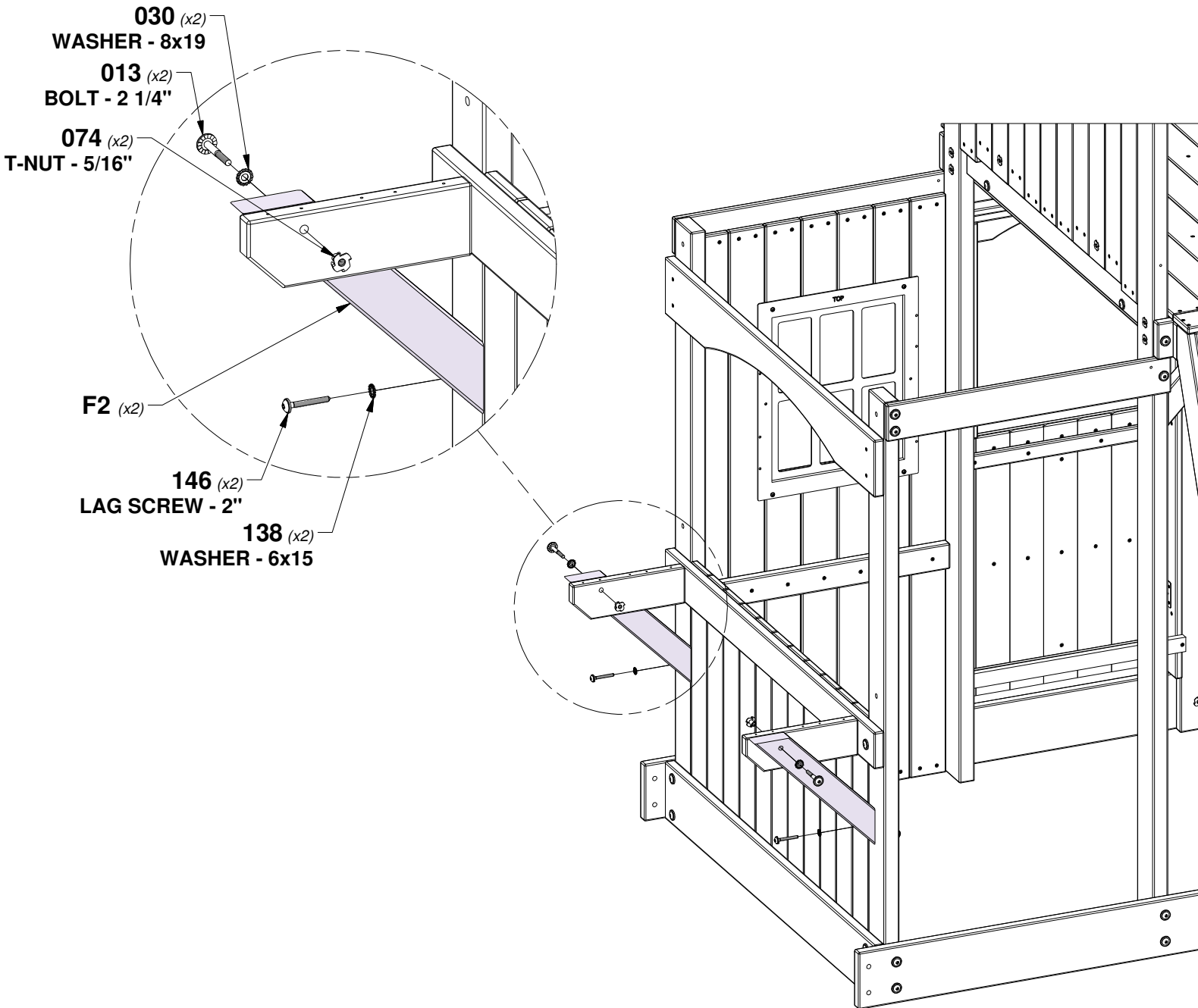
# STEP 49 - FORT ASSEMBLY

QTY	PART NUMBER	DESCRIPTION
2	H100013	BOLT WH 5/16x2 1/4
2	H100030	WASHER LOCK EXT 8x19
2	H100074	T-NUT 5/16
2	H100138	WASHER LOCK EXT 6x15
2	H100146	LAG SCREW WH 1/4x2



**F2** | SHELF BRACE - W4L16740  
 (x2) | 1 3/8"x2 3/8"x16" (36x60x406)

**TIP:**  
 INSTALL T-NUTS IN WOOD FIRST





# STEP 50 - FORT ASSEMBLY

QTY	PART NUMBER	DESCRIPTION
12	H100089	SCREW PFH 8x1-3/4"



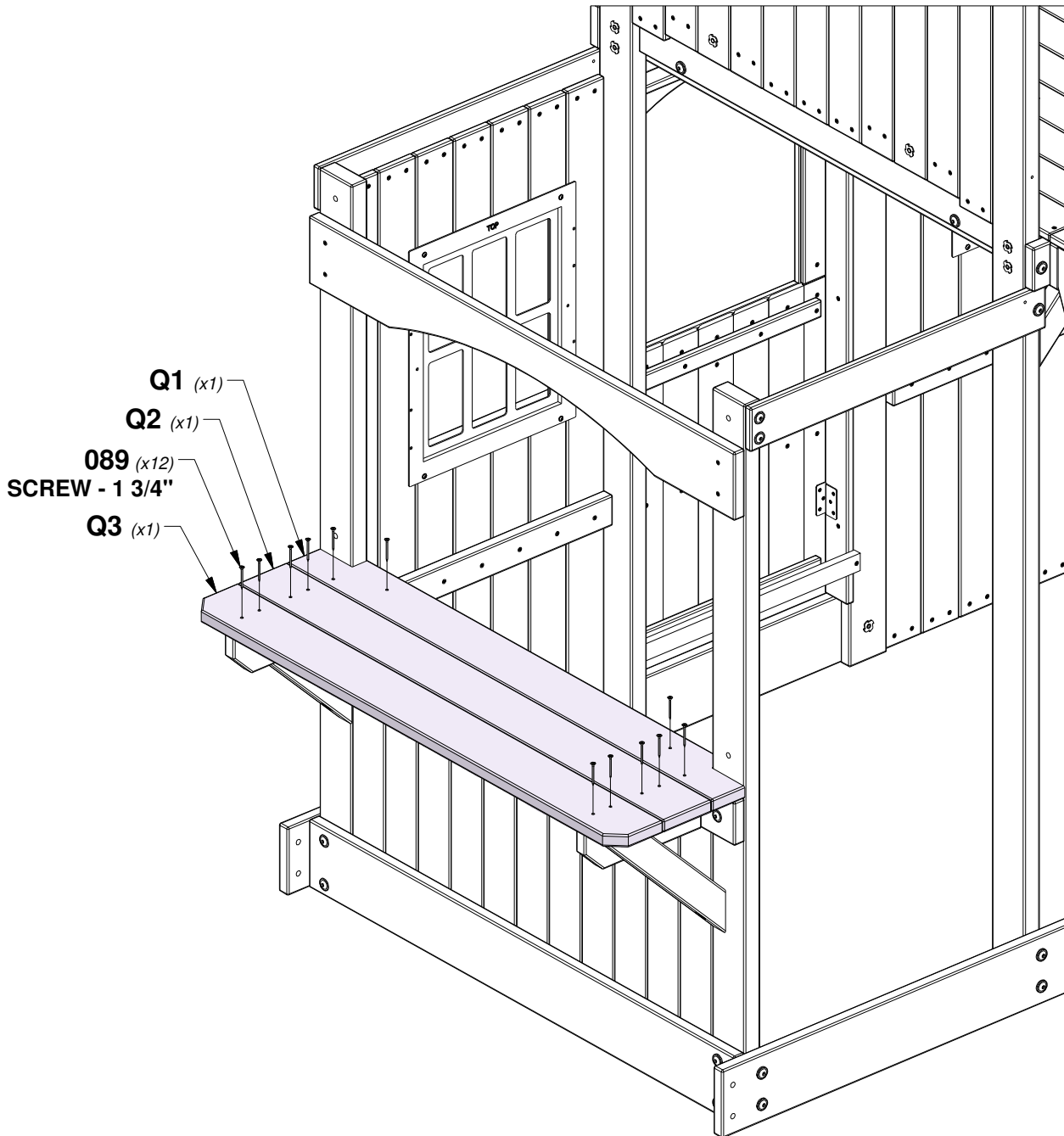
**Q1** | SHELF BOARD - W104165  
(x1) | 1"x4 3/8"x44 1/4" (24x112x1124)



**Q2** | SHELF BOARD - W104166  
(x1) | 1"x4 3/8"x44 1/4" (24x112x1124)



**Q3** | SHELF BOARD - W104167  
(x1) | 1"x4 3/8"x44 1/4" (24x112x1124)



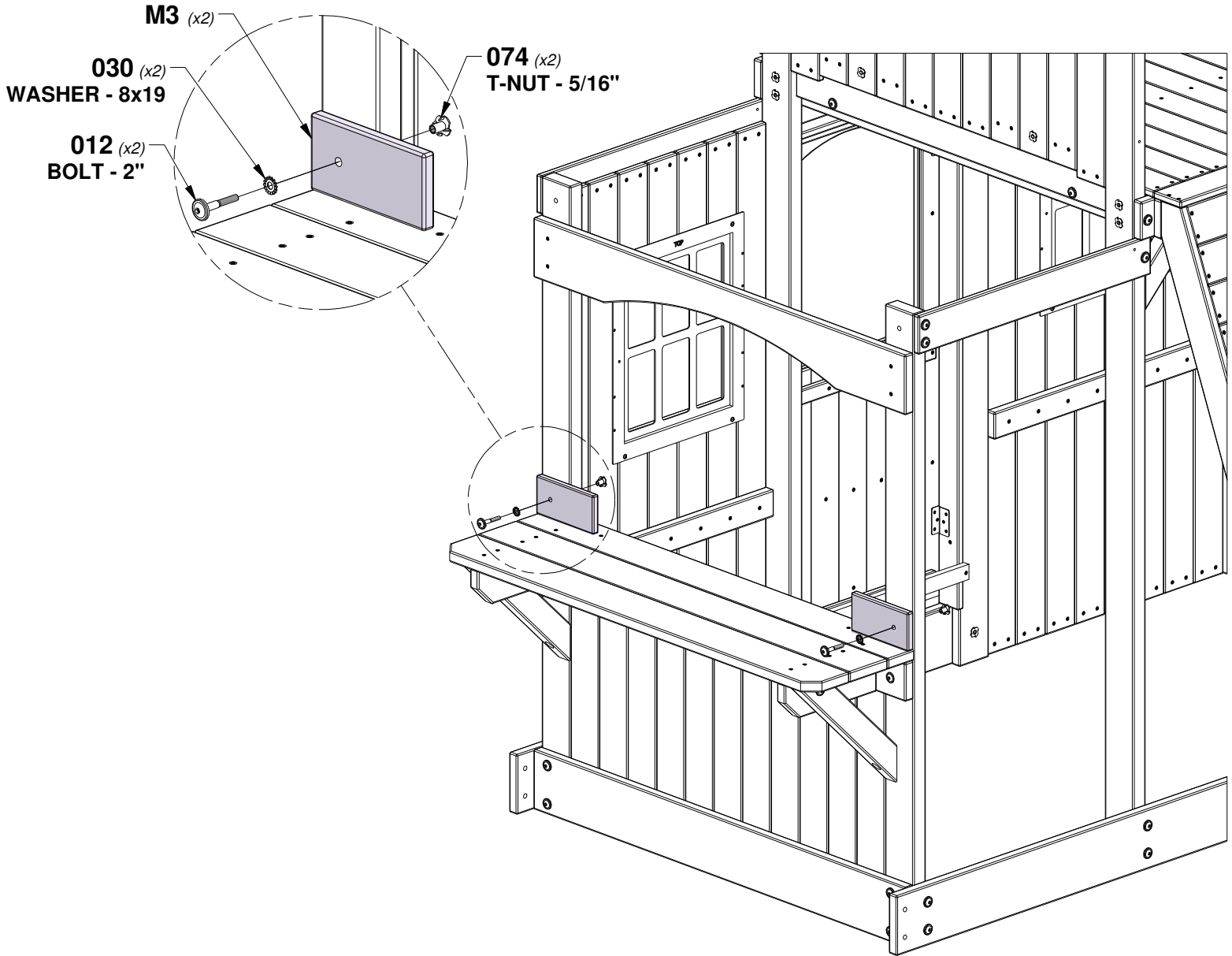
# STEP 51 - FORT ASSEMBLY

QTY	PART NUMBER	DESCRIPTION
2	H100012	BOLT WH 5/16x2
2	H100030	WASHER LOCK EXT 8x19
2	H100074	T-NUT 5/16



**M3** LEMONADE WALL RAIL - W104173  
(x2) 5/8"x3 3/8"x6 3/4" (16x86x172)

**TIP:**  
INSTALL T-NUTS IN WOOD FIRST



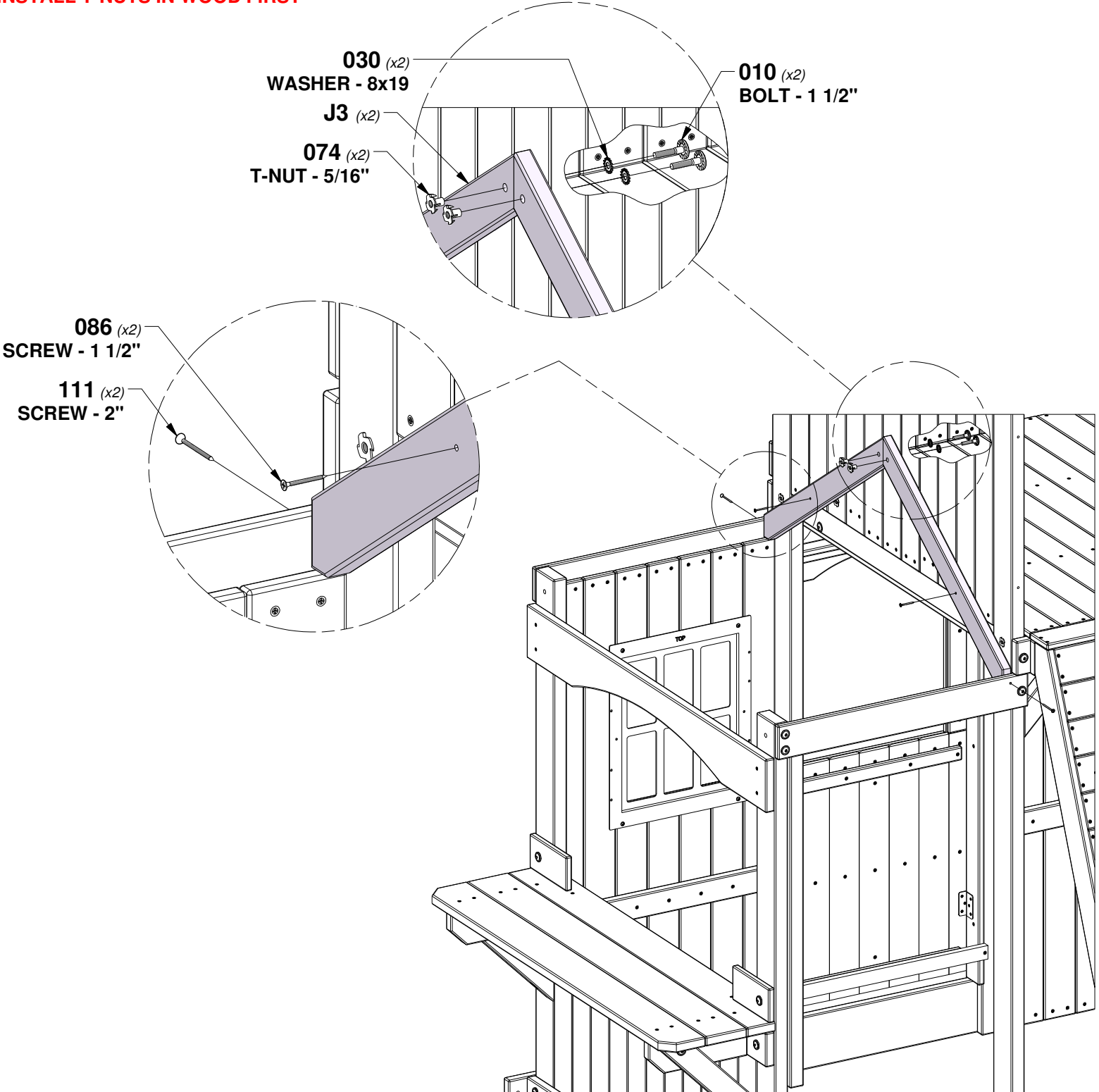
# STEP 52 - FORT ASSEMBLY

QTY	PART NUMBER	DESCRIPTION
2	H100010	BOLT WH 5/16x1 1/2
2	H100030	WASHER LOCK EXT 8x19
2	H100074	T-NUT 5/16
2	H100086	SCREW PFH 8x1-1/2"
2	H100111	SCREW PFH 8x2



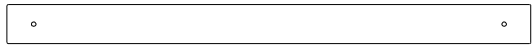
**J3** | LEMONADE ROOF SUPPORT - W104156  
 (x2) | 1"x2 3/8"x28 1/4" (24x60x718)

**TIP:**  
**INSTALL T-NUTS IN WOOD FIRST**

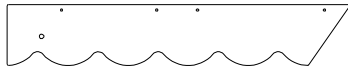


# STEP 53 - FORT ASSEMBLY

QTY	PART NUMBER	DESCRIPTION
2	H100017	BOLT WH 5/16x3 1/4
2	H100030	WASHER LOCK EXT 8x19
2	H100074	T-NUT 5/16

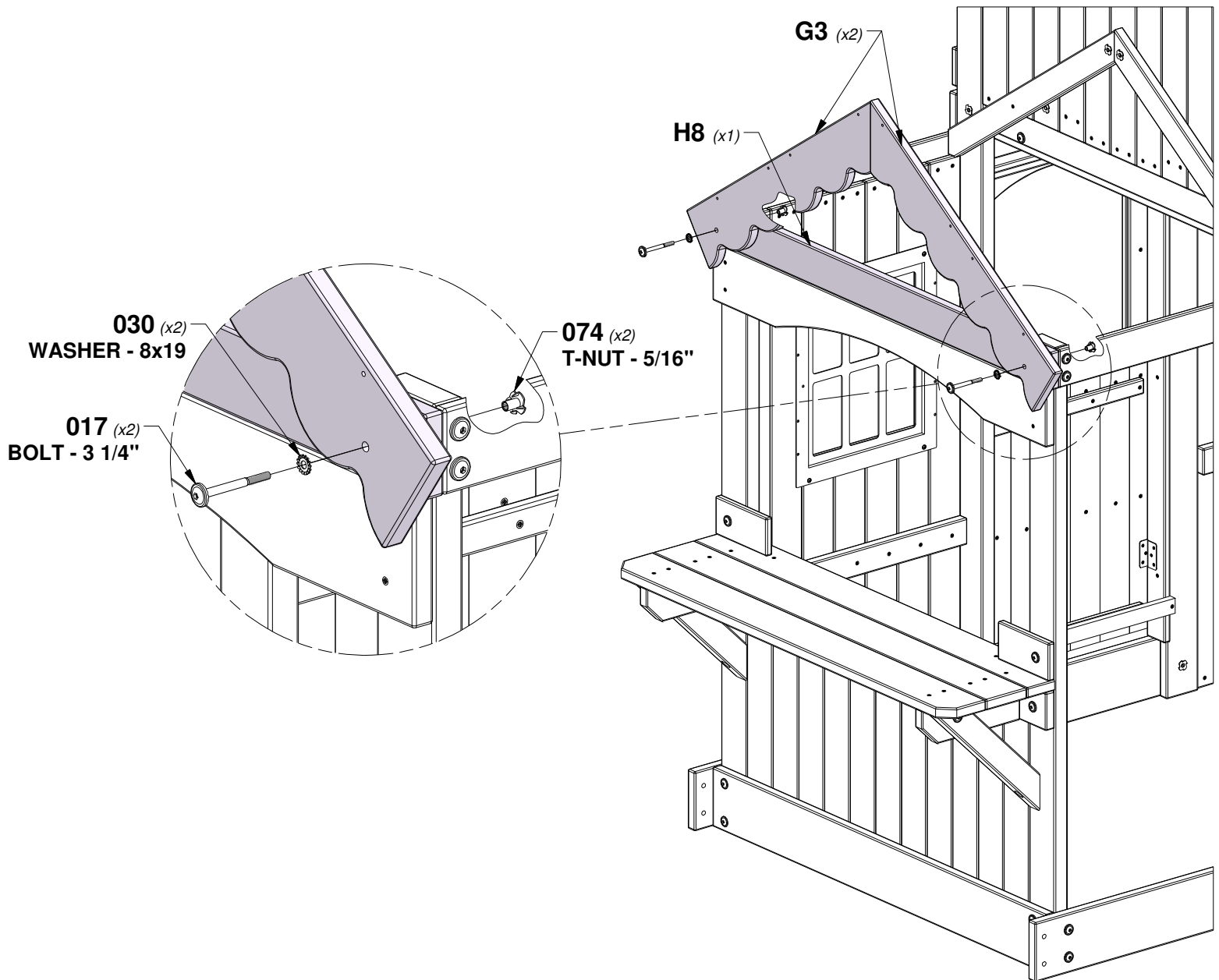


**H8** | LEMONADE ROOF SUPPORT - W104124  
(x1) | 1"x3 3/8"x45 1/2" (24x86x1156)



**G3** | LEMONADE GABLE BOARD - W104151  
(x2) | 1"x5 1/4"x29 7/8" (24x134x758)

**TIP:**  
INSTALL T-NUTS IN WOOD FIRST

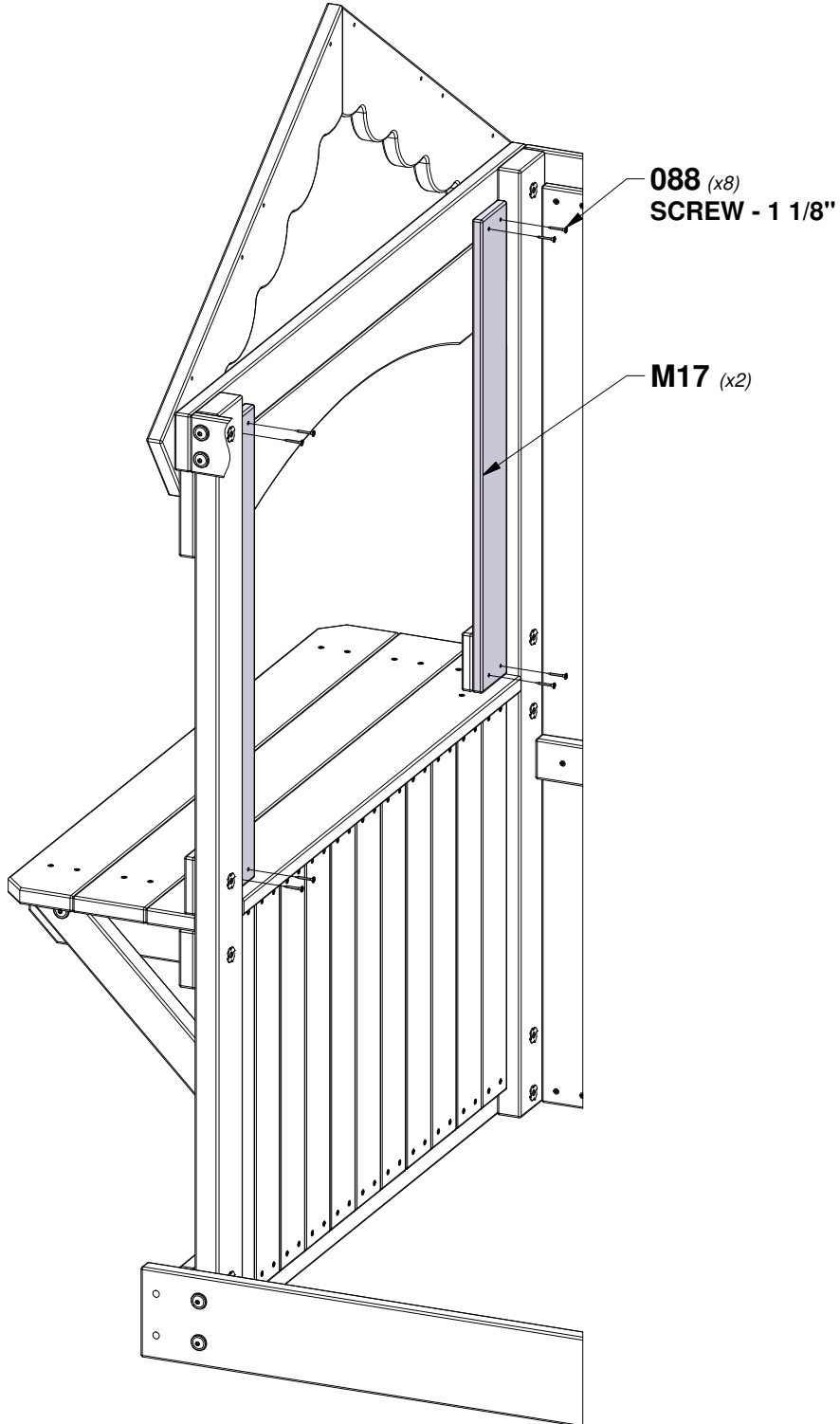


# STEP 54 - FORT ASSEMBLY

QTY	PART NUMBER	DESCRIPTION
8	H100088	SCREW PFH 8x1-1/8"

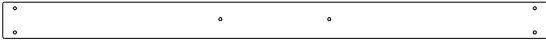


**M17** | WALL BOARD - W104174  
(x2) | 5/8"x3 3/8"x27 3/4" (16x86x706)

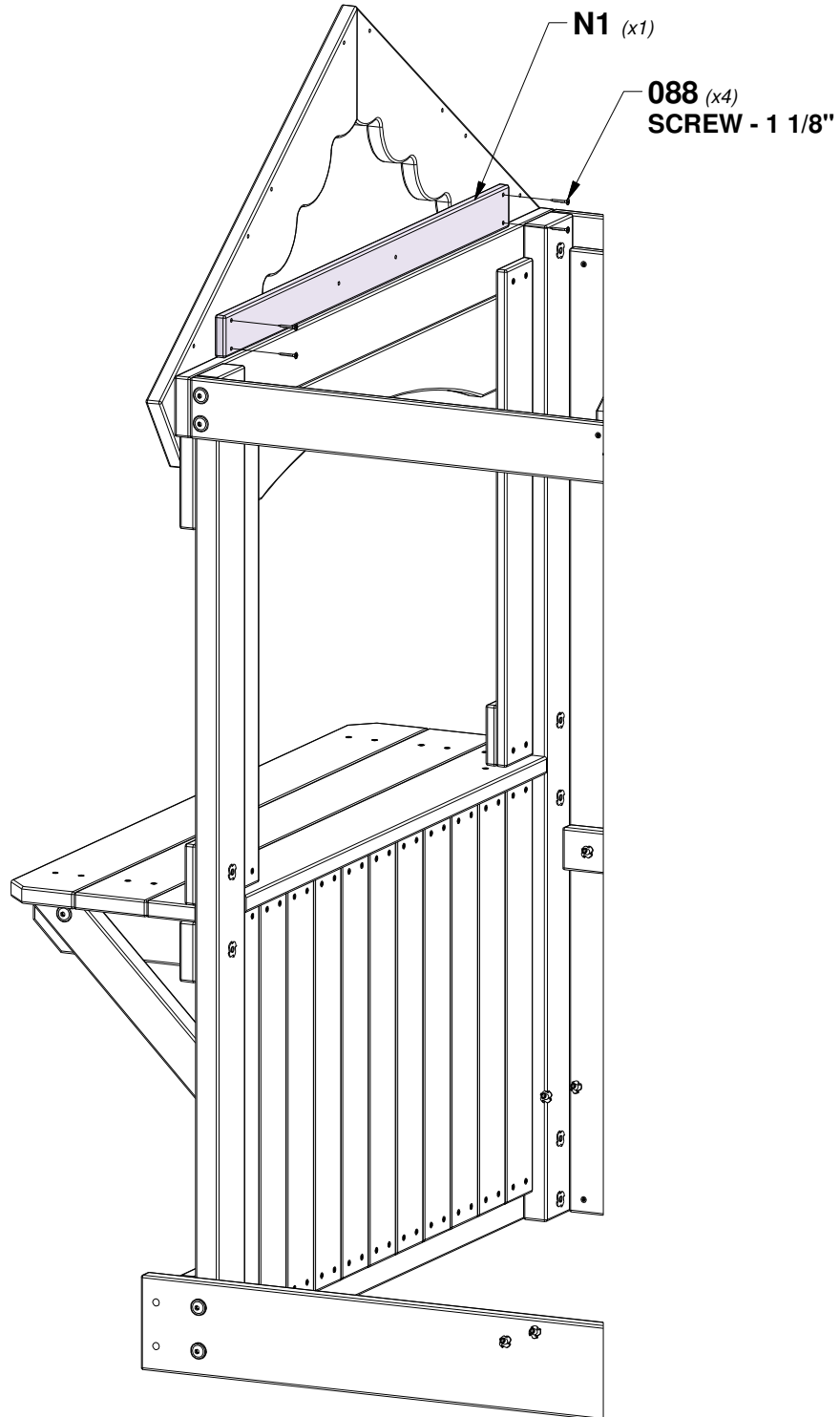


# STEP 55 - FORT ASSEMBLY

QTY	PART NUMBER	DESCRIPTION
4	H100088	SCREW PFH 8x1-1/8"

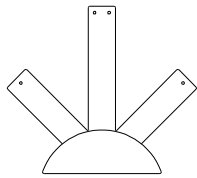


**N1** | LEMONADE GABLE BOARD - W104159  
(x1) | 5/8"x2 3/8"x35 3/8" (16x60x900)

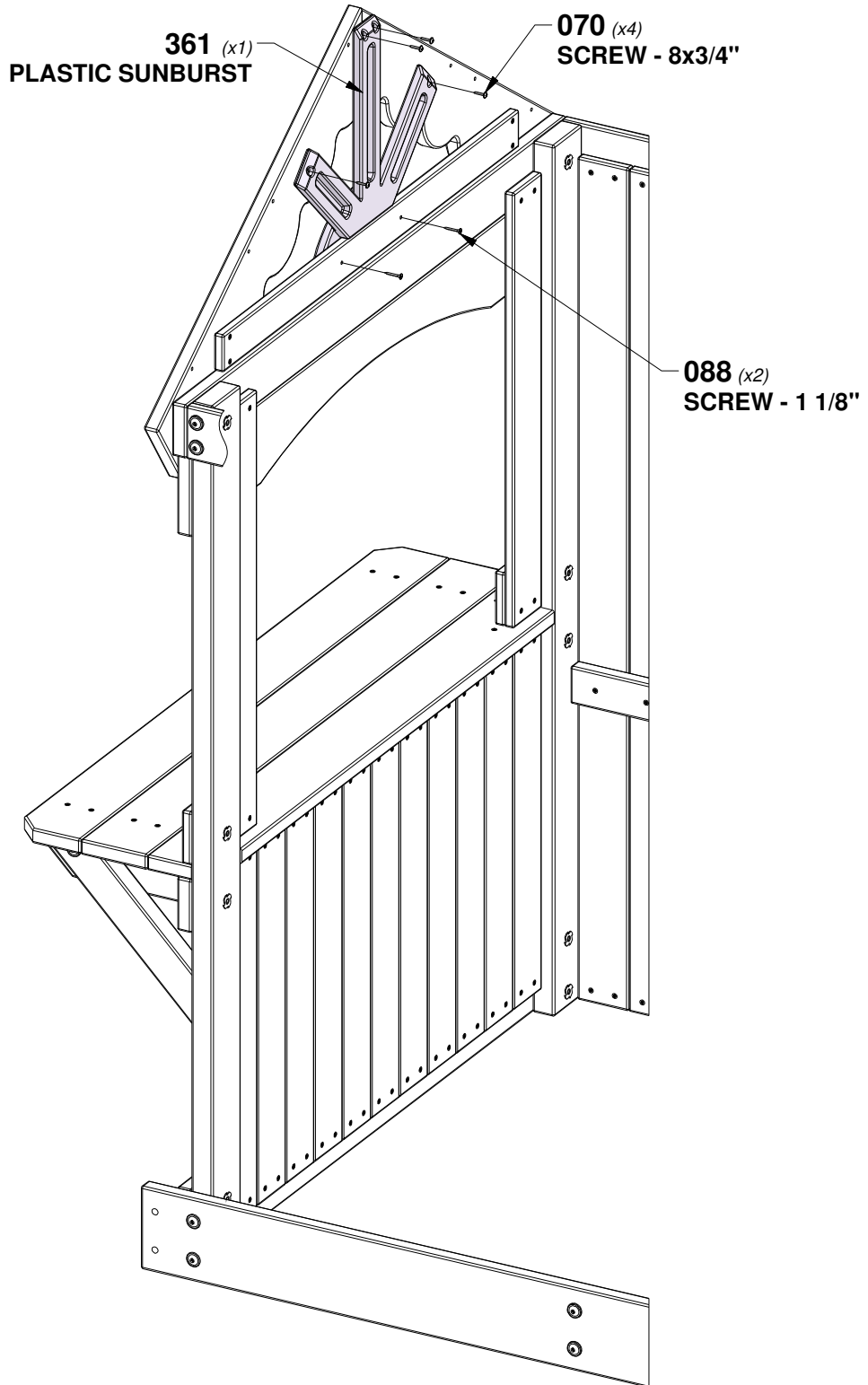


# STEP 56 - FORT ASSEMBLY

QTY	PART NUMBER	DESCRIPTION
4	H100070	SCREW PWH 8x3/4
2	H100088	SCREW PFH 8x1-1/8"



**A100361**  
(x1) | **PLASTIC SUNBURST**

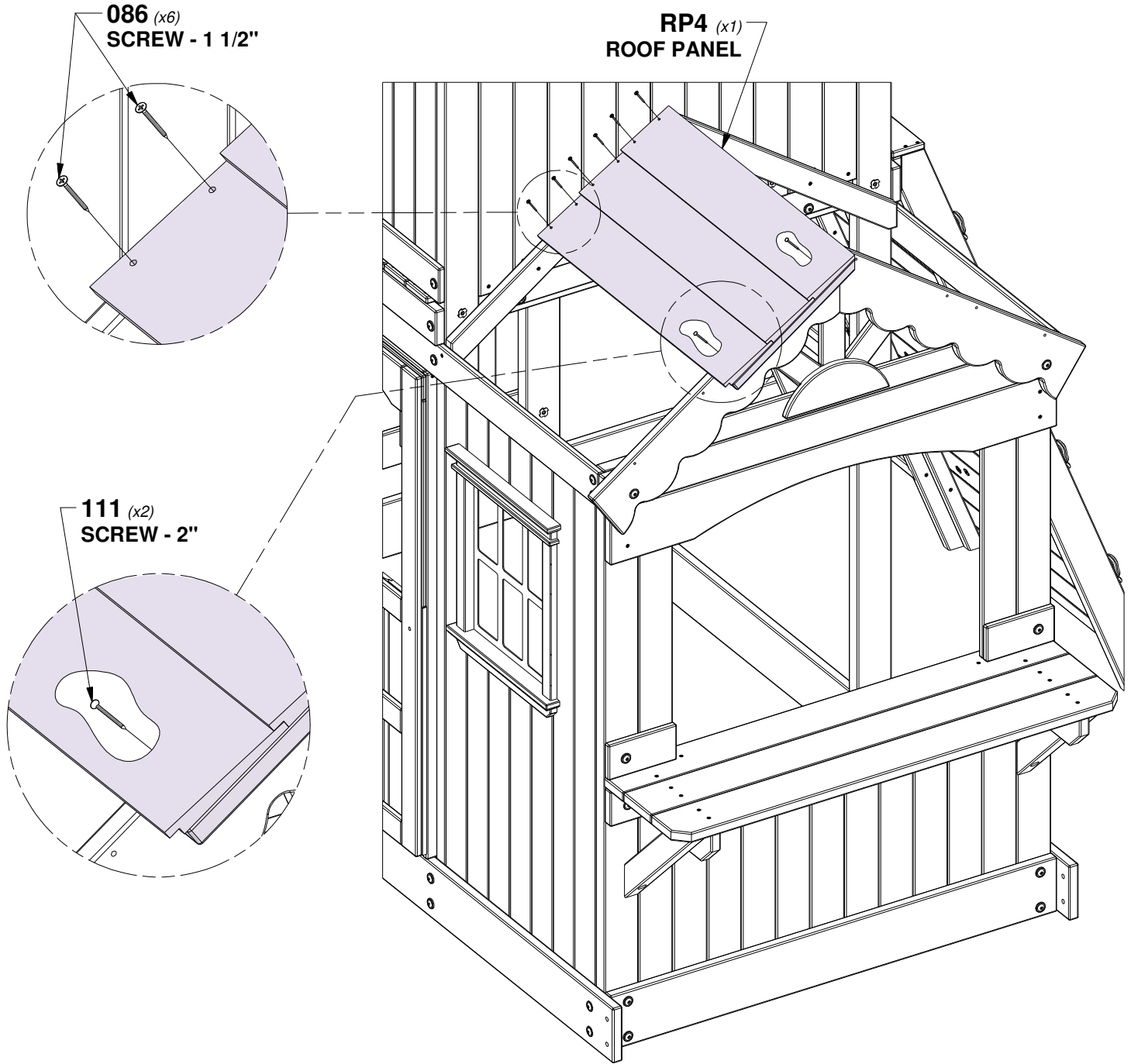


# STEP 57 - FORT ASSEMBLY

QTY	PART NUMBER	DESCRIPTION
6	H100086	SCREW PFH 8x1-1/2"
2	H100111	SCREW PFH 8x2



**RP4 | ROOF PANEL - W104153**  
 (x1) | 1 5/8"x15 5/8"x46" (42x396x750)



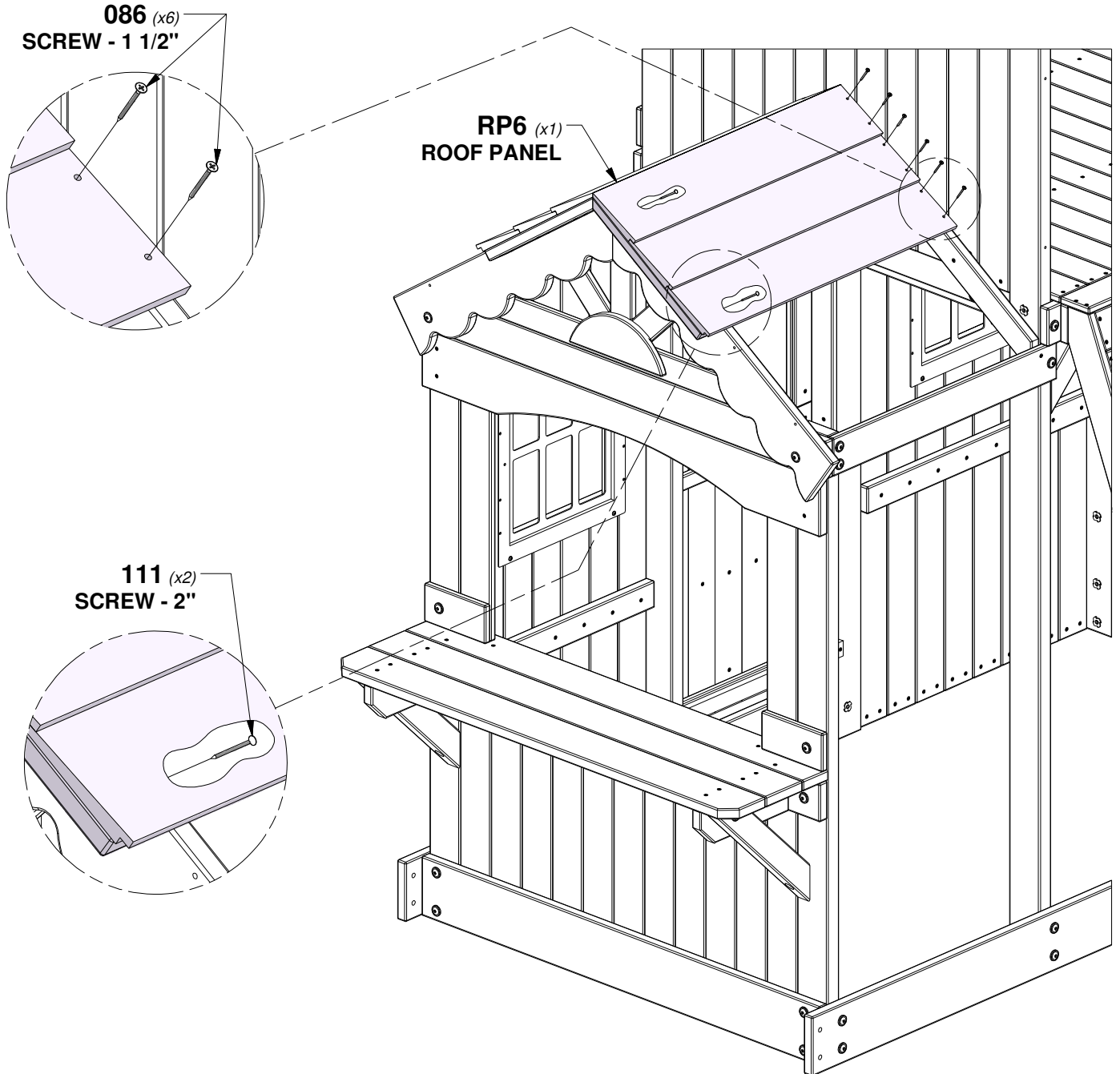


# STEP 58 - FORT ASSEMBLY

QTY	PART NUMBER	DESCRIPTION
6	H100086	SCREW PFH 8x1-1/2"
2	H100111	SCREW PFH 8x2



**RP6 | ROOF PANEL - W104155**  
 (x1) | 1 5/8"x15 5/8"x46" (42x396x750)

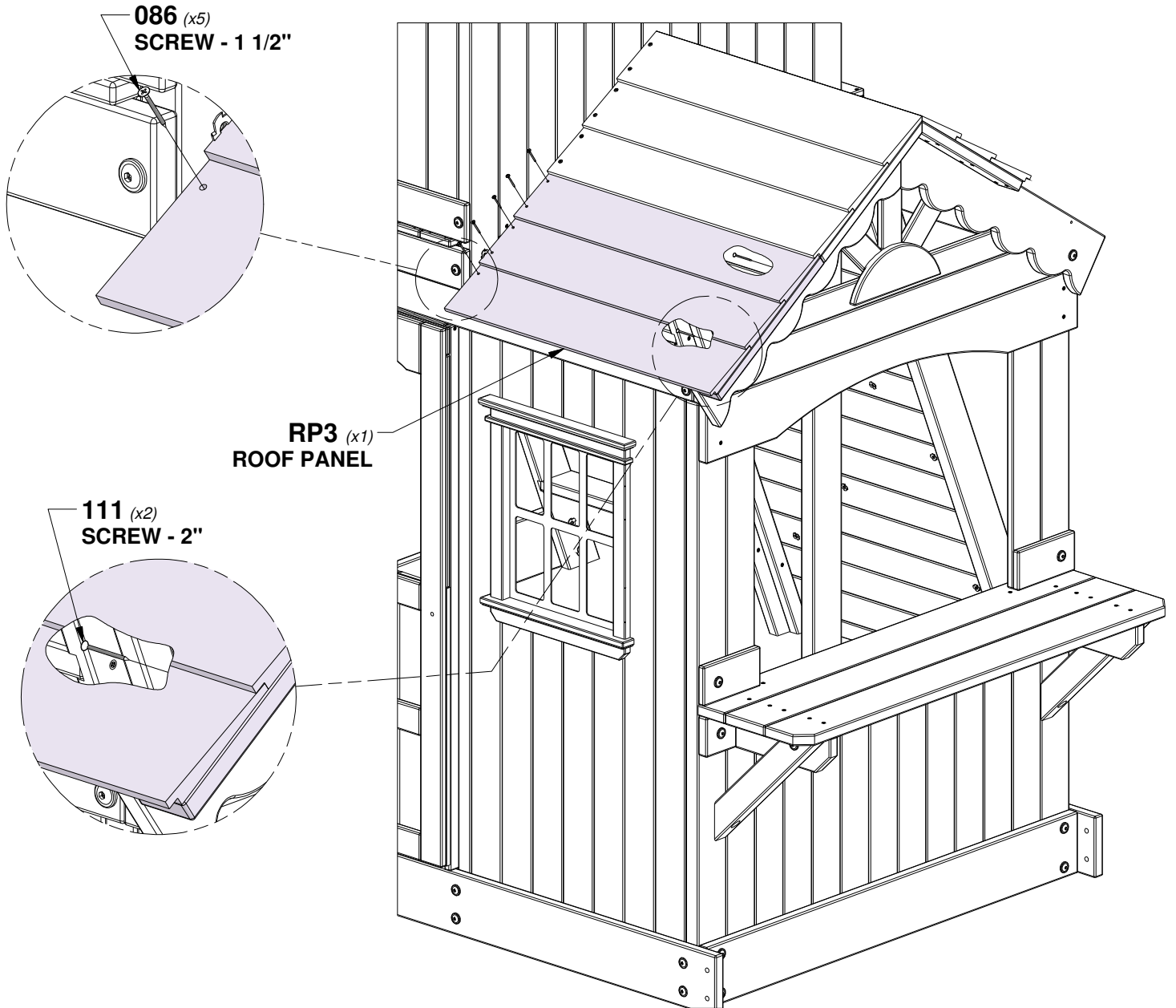


# STEP 59 - FORT ASSEMBLY

QTY	PART NUMBER	DESCRIPTION
5	H100086	SCREW PFH 8x1-1/2"
2	H100111	SCREW PFH 8x2



**RP3** | ROOF PANEL - W104152  
 (x1) | 1 5/8"x15 5/8"x29 1/2" (42x396x750)

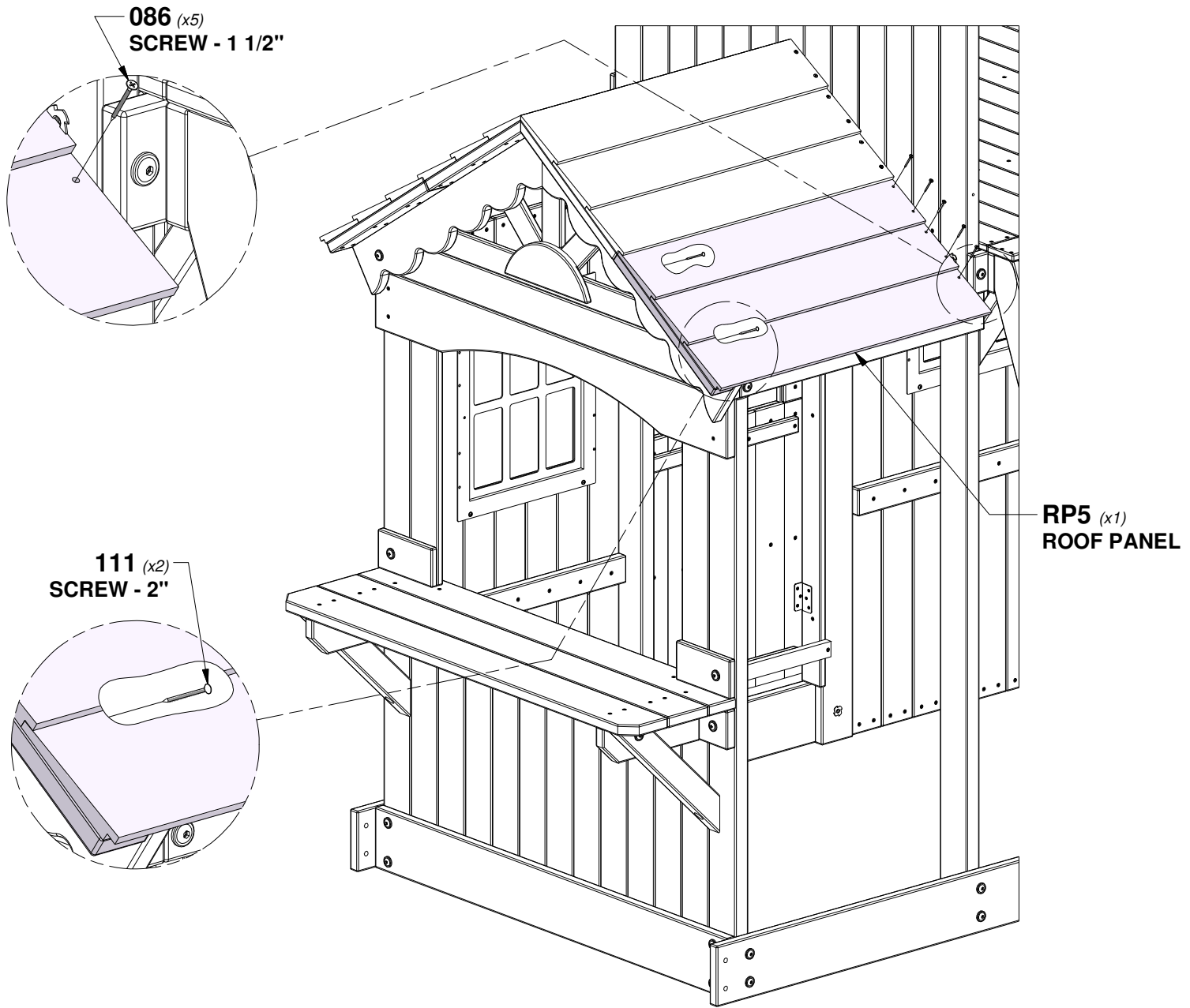


# STEP 60 - FORT ASSEMBLY

QTY	PART NUMBER	DESCRIPTION
5	H100086	SCREW PFH 8x1-1/2"
2	H100111	SCREW PFH 8x2"

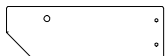


**RP5 | ROOF PANEL - W104154**  
 (x1) | 1.654 in"x15 5/8"x29 1/2" (42x396x750)

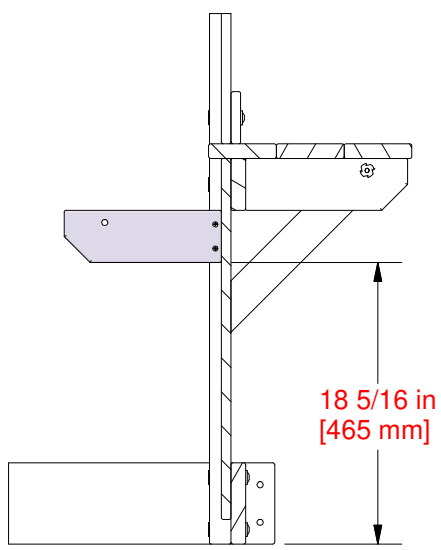
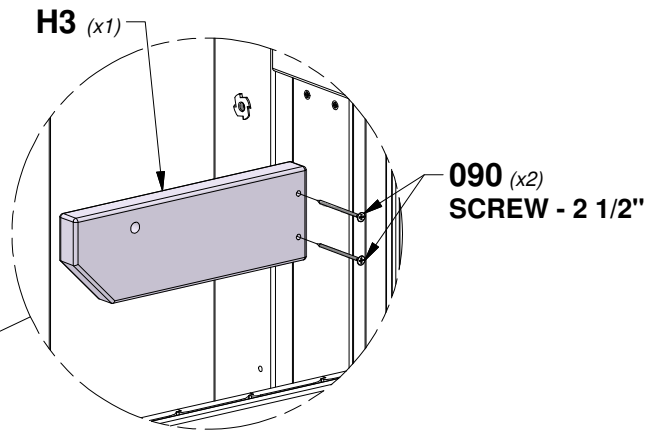
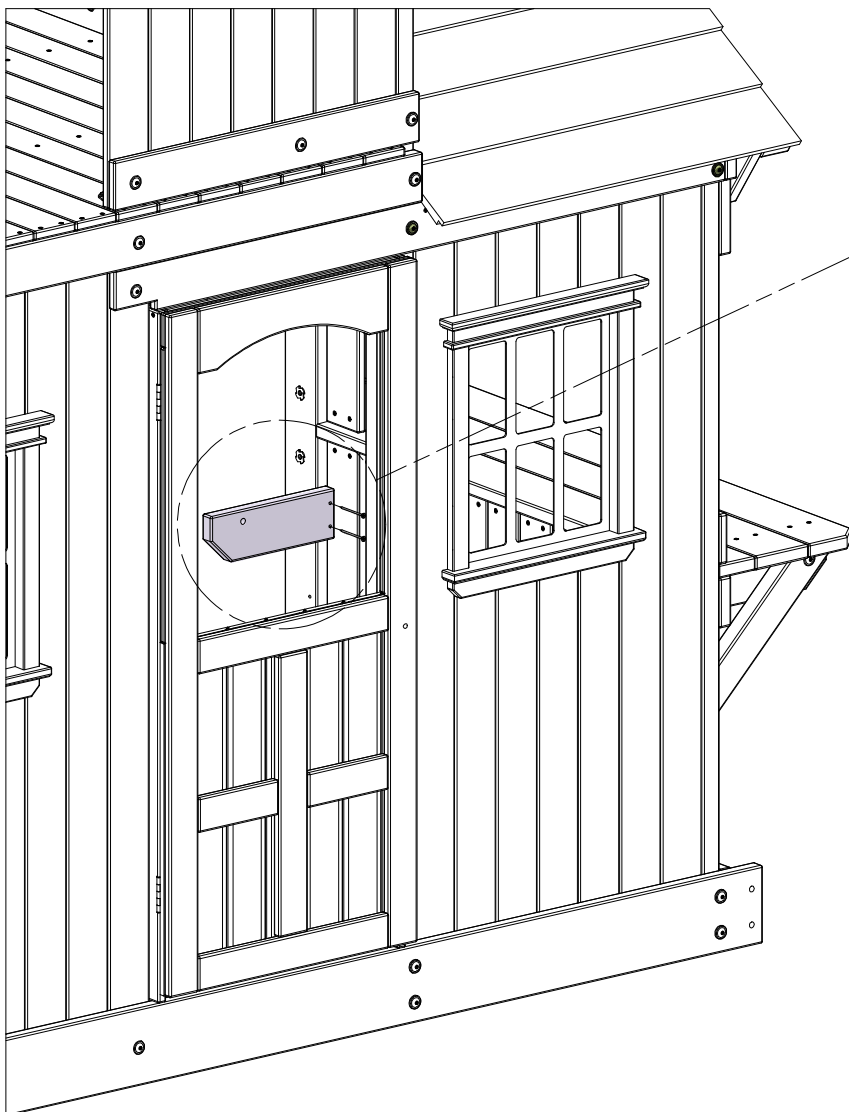


# STEP 61 - FORT ASSEMBLY

QTY	PART NUMBER	DESCRIPTION
2	H100090	SCREW PFH 8x2 1/2



**H3** | SHELF SUPPORT - W104176  
(x1) | 1"x3 3/8"x10 1/4" (24x86x260)



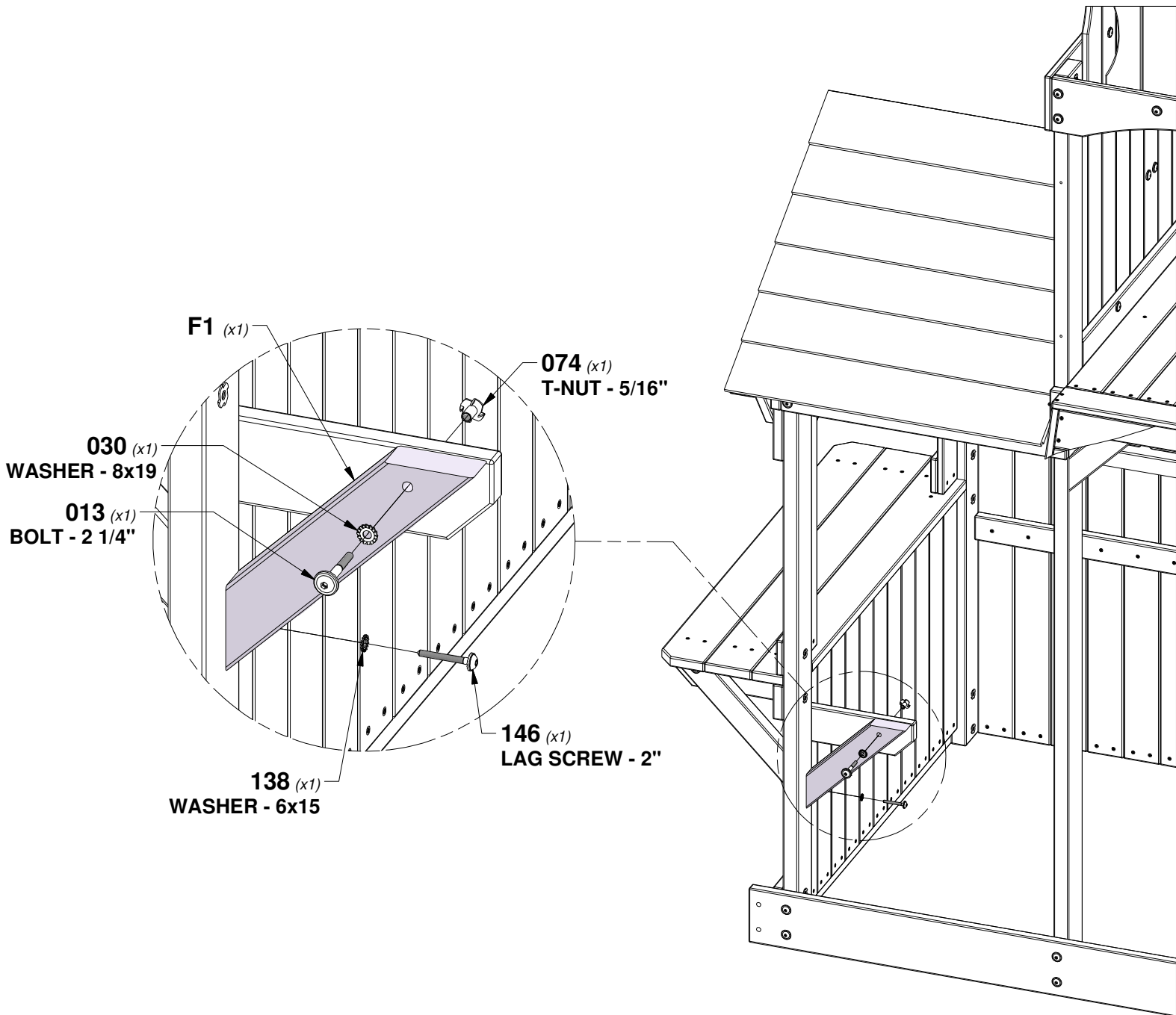
# STEP 62 - FORT ASSEMBLY

QTY	PART NUMBER	DESCRIPTION
1	H100013	BOLT WH 5/16x2 1/4
1	H100030	WASHER LOCK EXT 8x19
1	H100074	T-NUT 5/16
1	H100138	WASHER LOCK EXT 6x15
1	H100146	LAG SCREW WH 1/4x2



**F1** | SHELF BRACE - W4L16741  
 (x1) | 1 3/8"x2 3/8"x13 1/8" (36x60x332)

**TIP:**  
 INSTALL T-NUTS IN WOOD FIRST



# STEP 63 - FORT ASSEMBLY

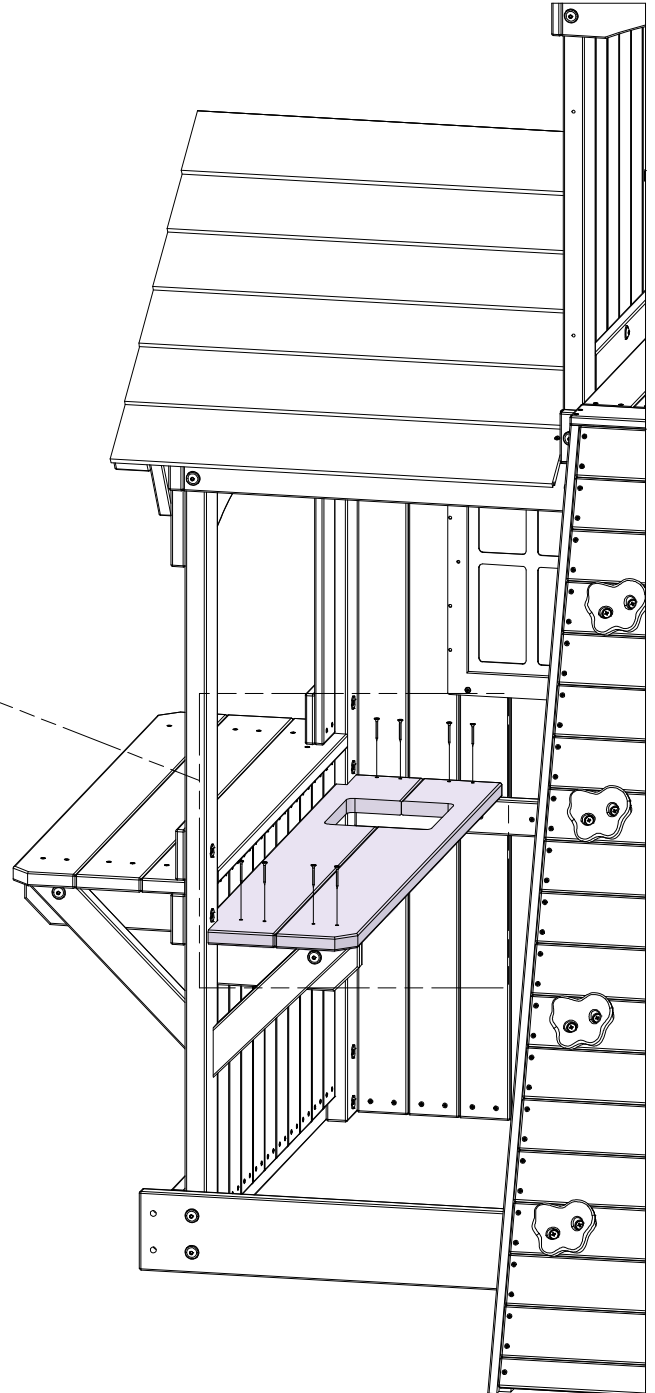
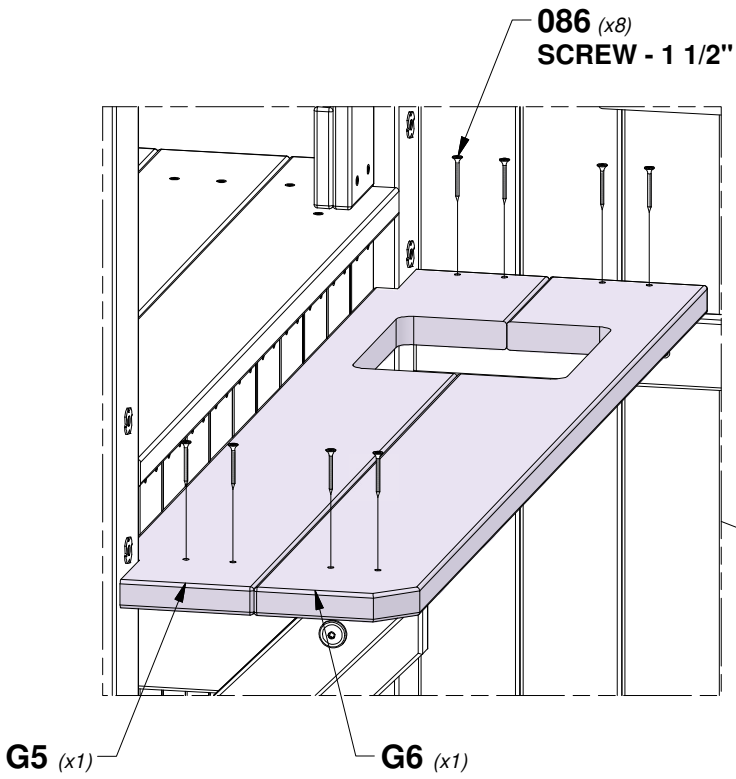
QTY	PART NUMBER	DESCRIPTION
8	H100086	SCREW PFH 8x1-1/2"



**G5** | SHELF BOARD - W4L17484  
(x1) | 1"x5 1/4"x43" (24x134x1092)

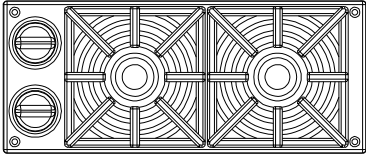


**G6** | SHELF BOARD - W4L17485  
(x1) | 1"x5 1/4"x43" (24x134x1092)

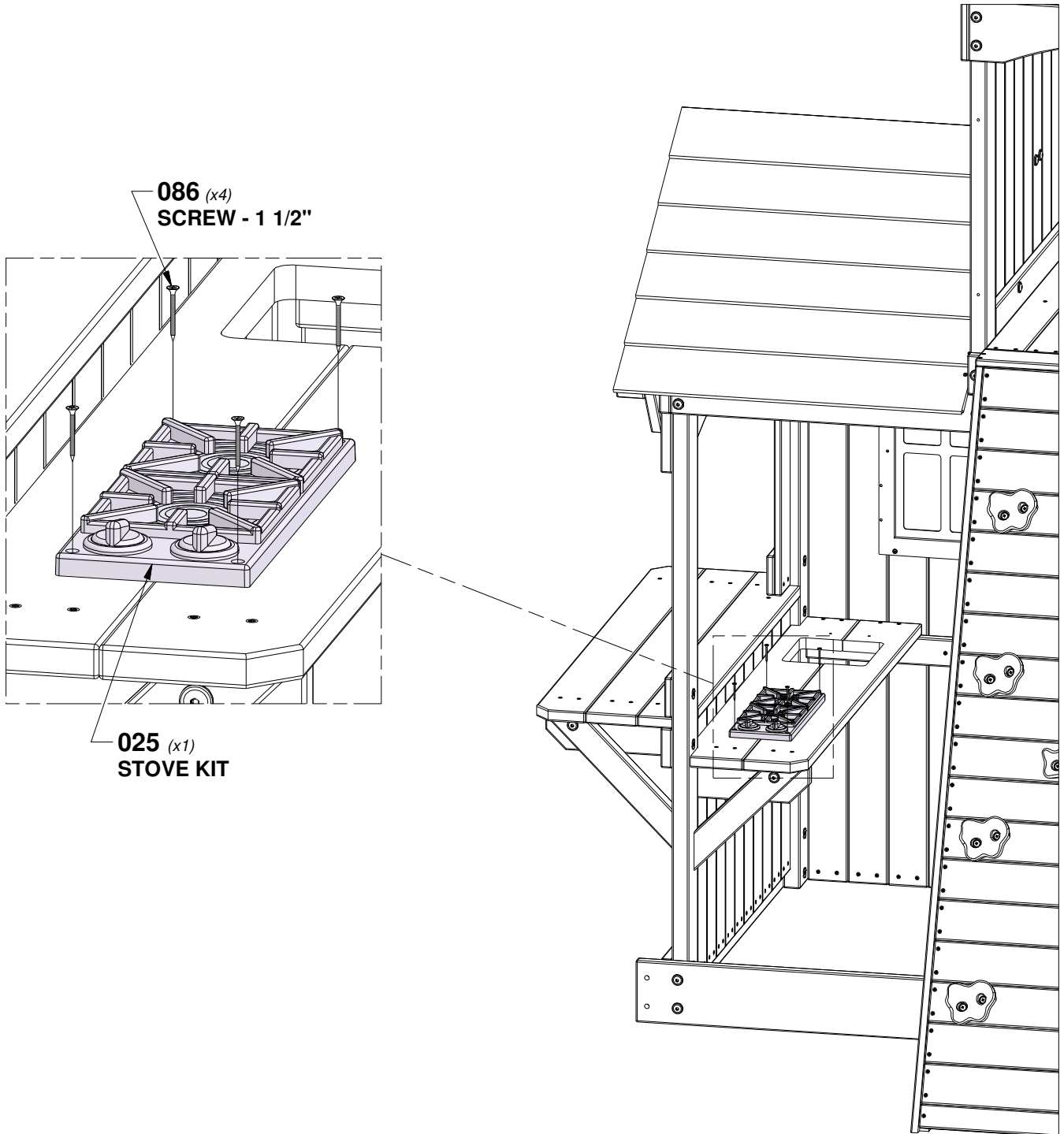


# STEP 64 - FORT ASSEMBLY

QTY	PART NUMBER	DESCRIPTION
4	H100086	SCREW PFH 8x1-1/2"



**A6P00025** | STOVE KIT  
*(x1)*

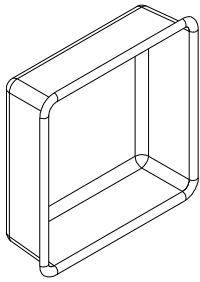


**086** *(x4)*  
SCREW - 1 1/2"

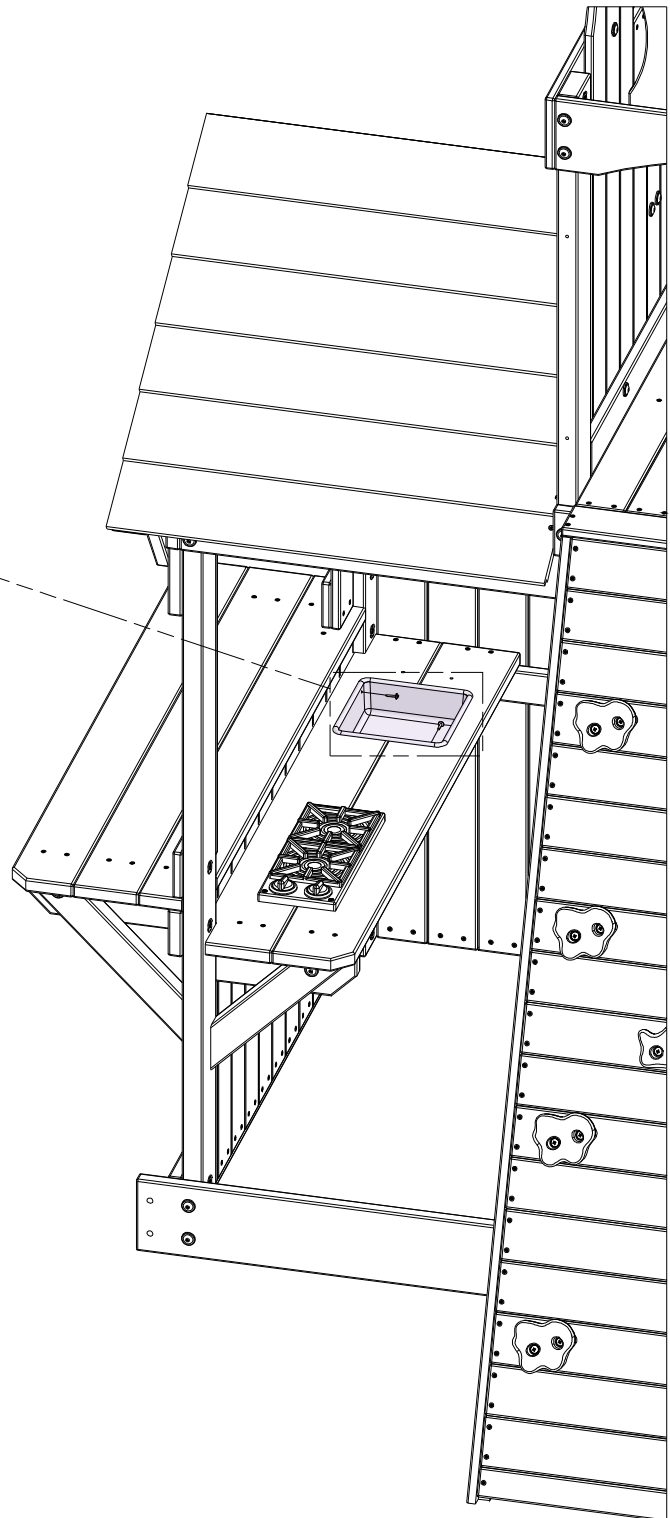
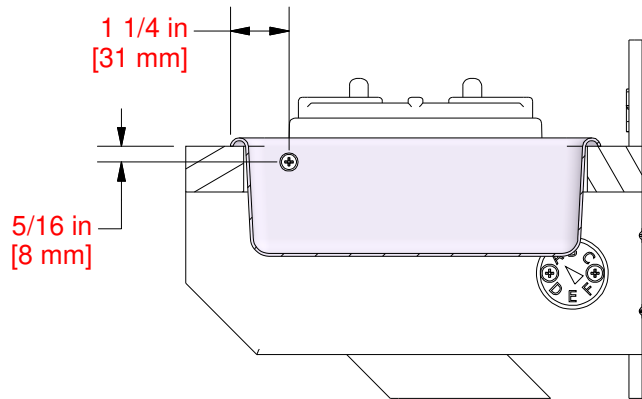
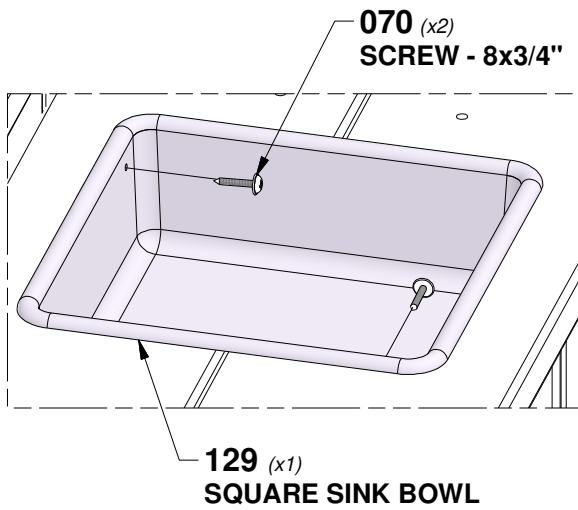
**025** *(x1)*  
STOVE KIT

# STEP 65 - FORT ASSEMBLY

QTY	PART NUMBER	DESCRIPTION
2	H100070	SCREW PWH 8x3/4



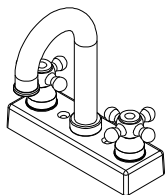
**A100129** | SQUARE SINK BOWL  
(x1)



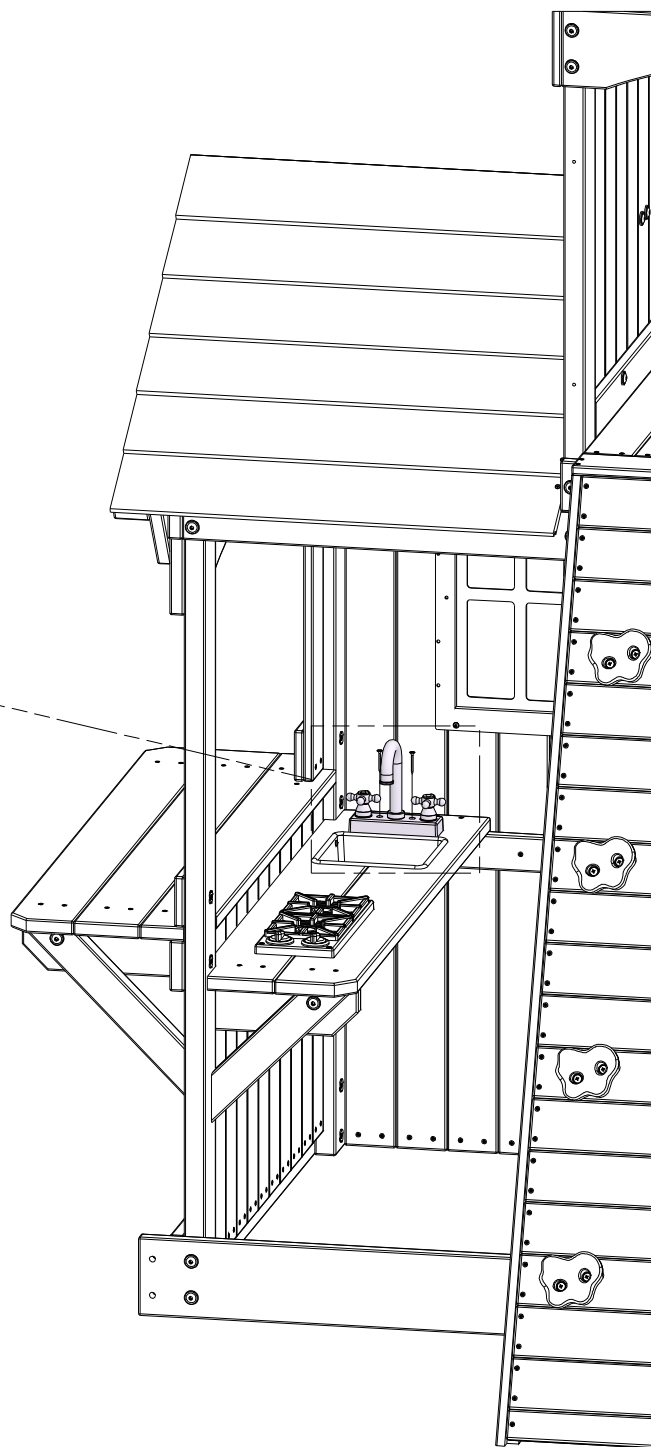
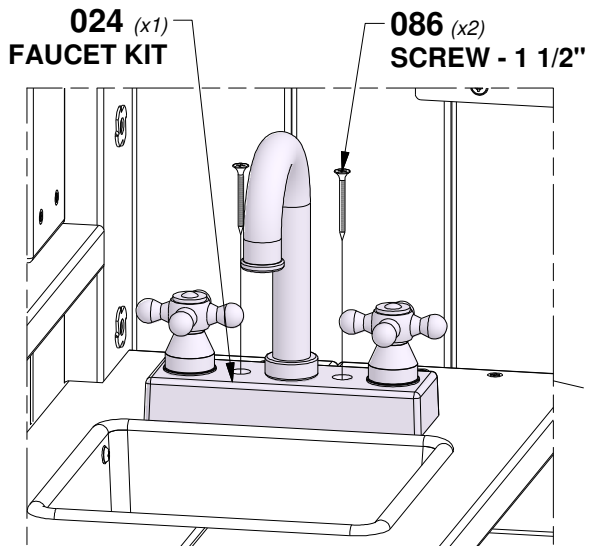


# STEP 66 - FORT ASSEMBLY

QTY	PART NUMBER	DESCRIPTION
2	H100086	SCREW PFH 8x1-1/2"

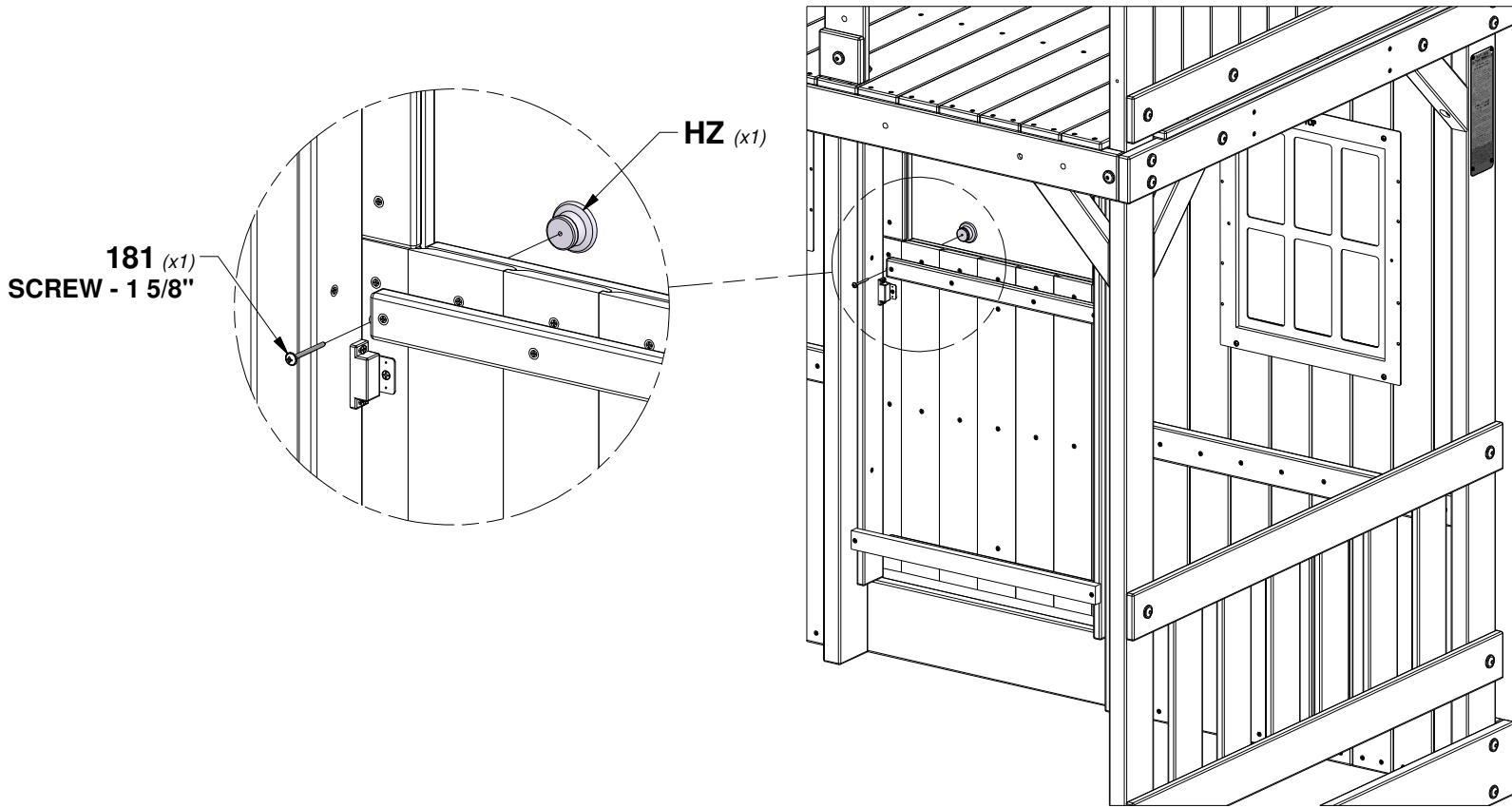


**A6P00024** | FAUCET KIT  
(x1)



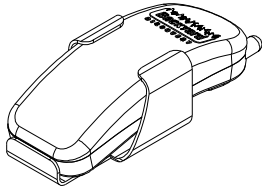
# STEP 67 - FORT ASSEMBLY

QTY	PART NUMBER	DESCRIPTION
1	H100181	SCREW PWH 8x1-5/8

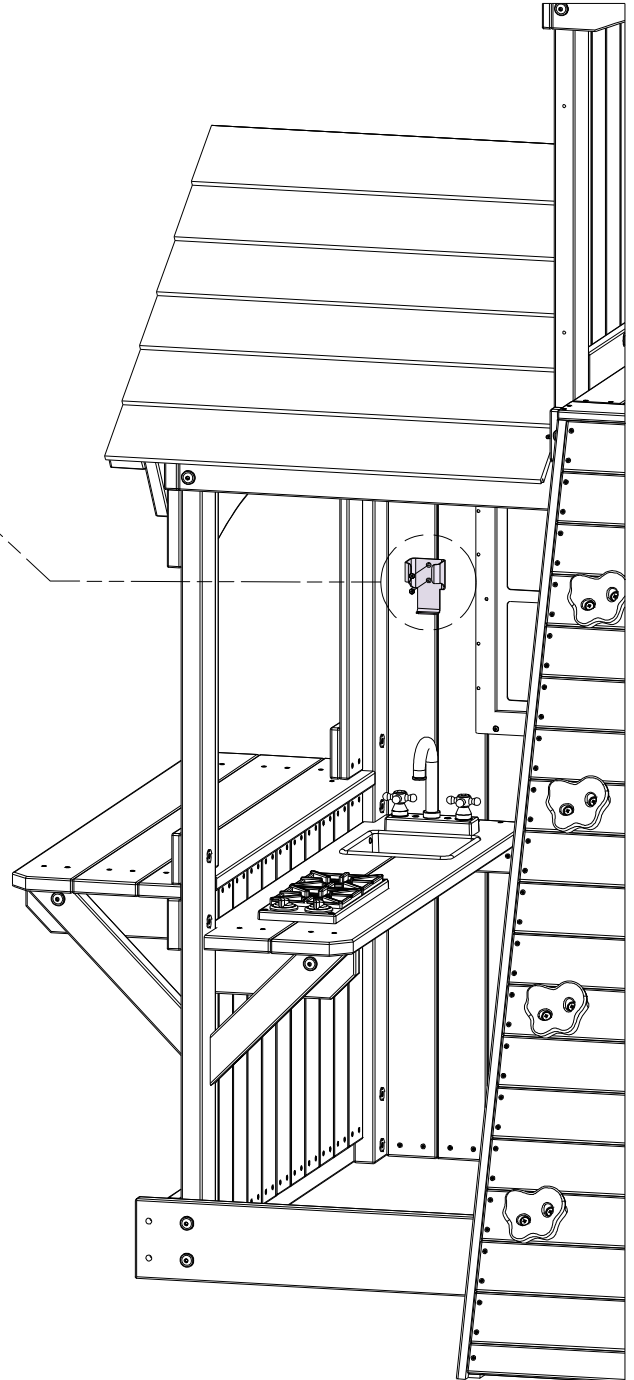
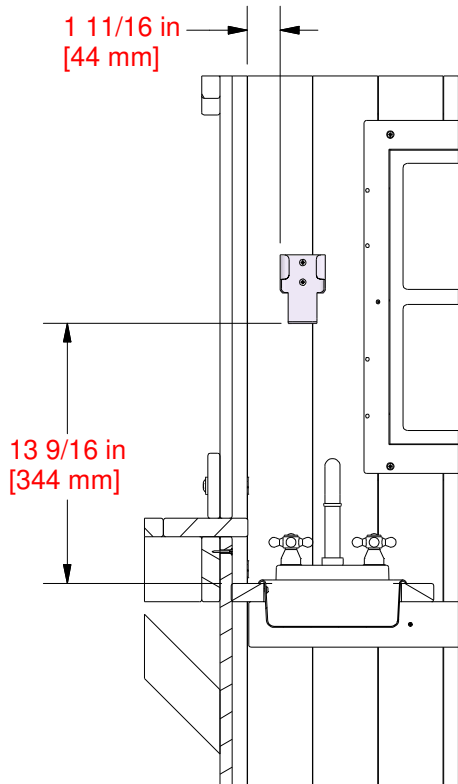
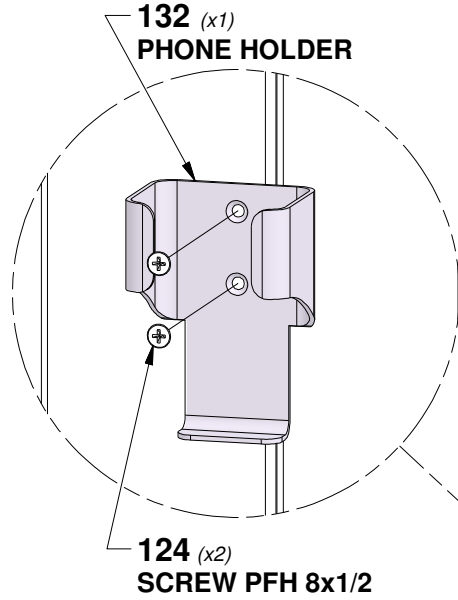


# STEP 68 - FORT ASSEMBLY

QTY	PART NUMBER	DESCRIPTION
2	H100124	SCREW PFH 8x1/2

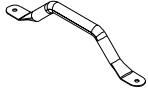


**MS**  
(x1) | PHONE KIT - A100132

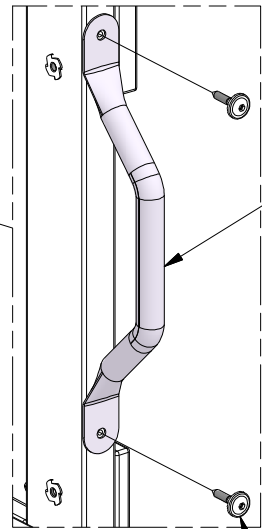
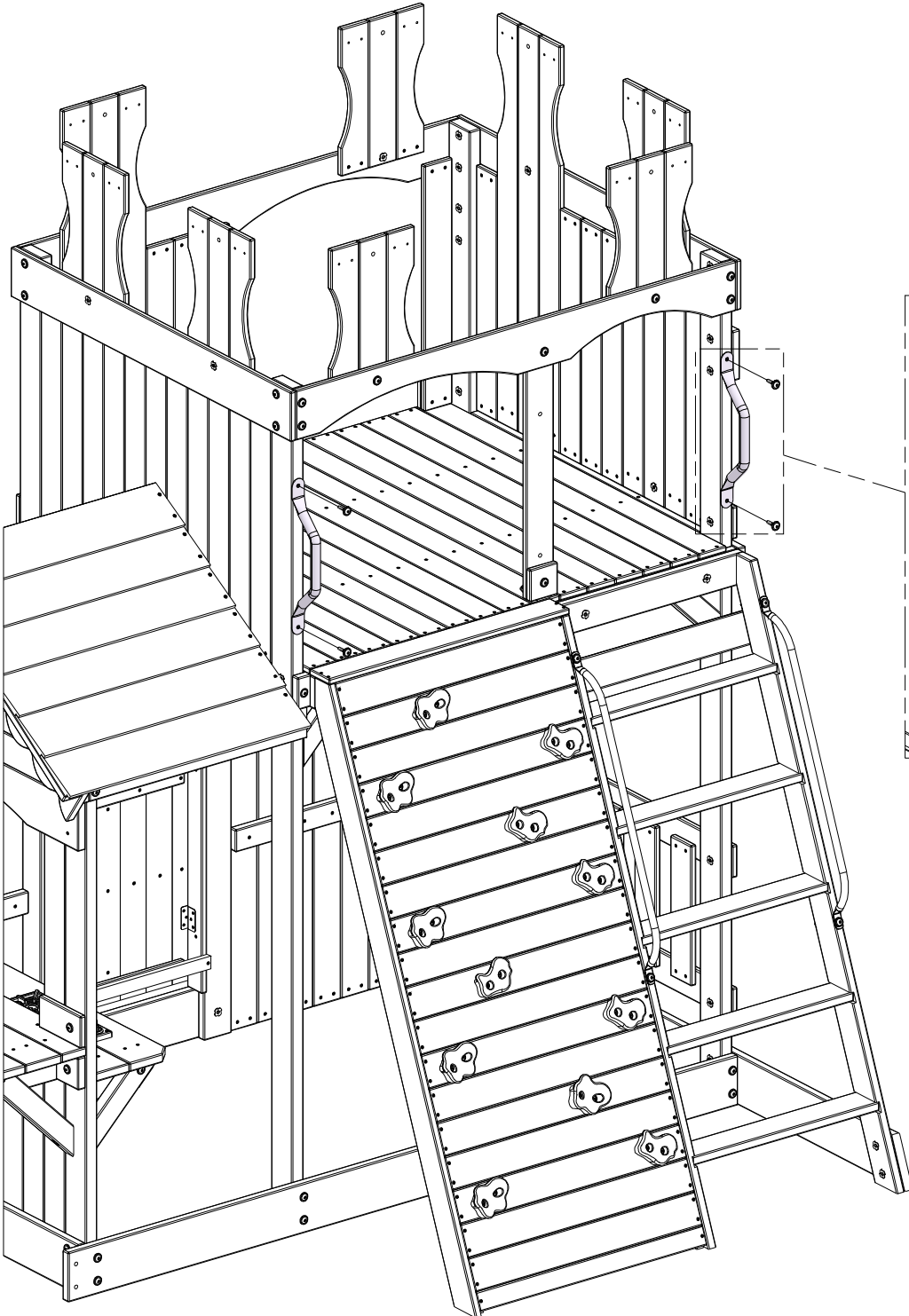


# STEP 69 - FORT ASSEMBLY

QTY	PART NUMBER	DESCRIPTION
4	H100026	LAG SCREW WH 5/16x1 1/2



**A100118** | **HAND GRIP**  
*(x2)* | **METAL GREEN**  
**381 c/c**

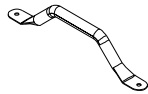


**118** *(x2)*  
**HAND GRIP METAL**

**026** *(x4)*  
**LAG SCREW - 1 1/2"**

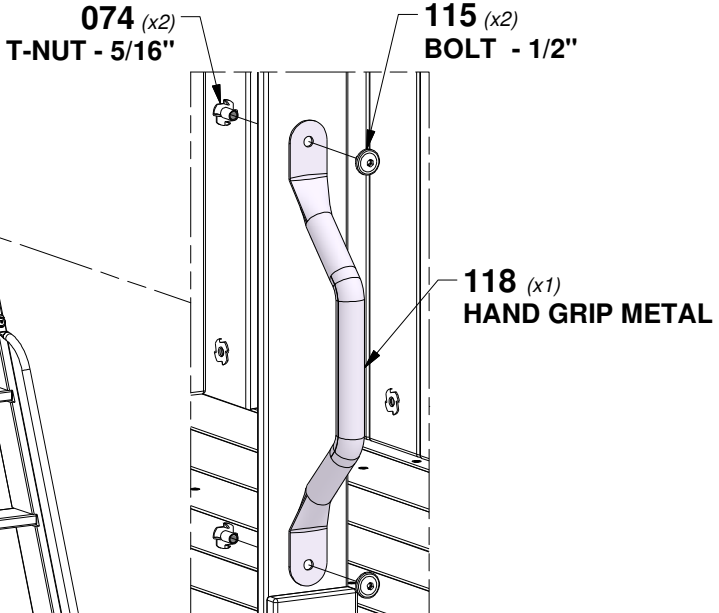
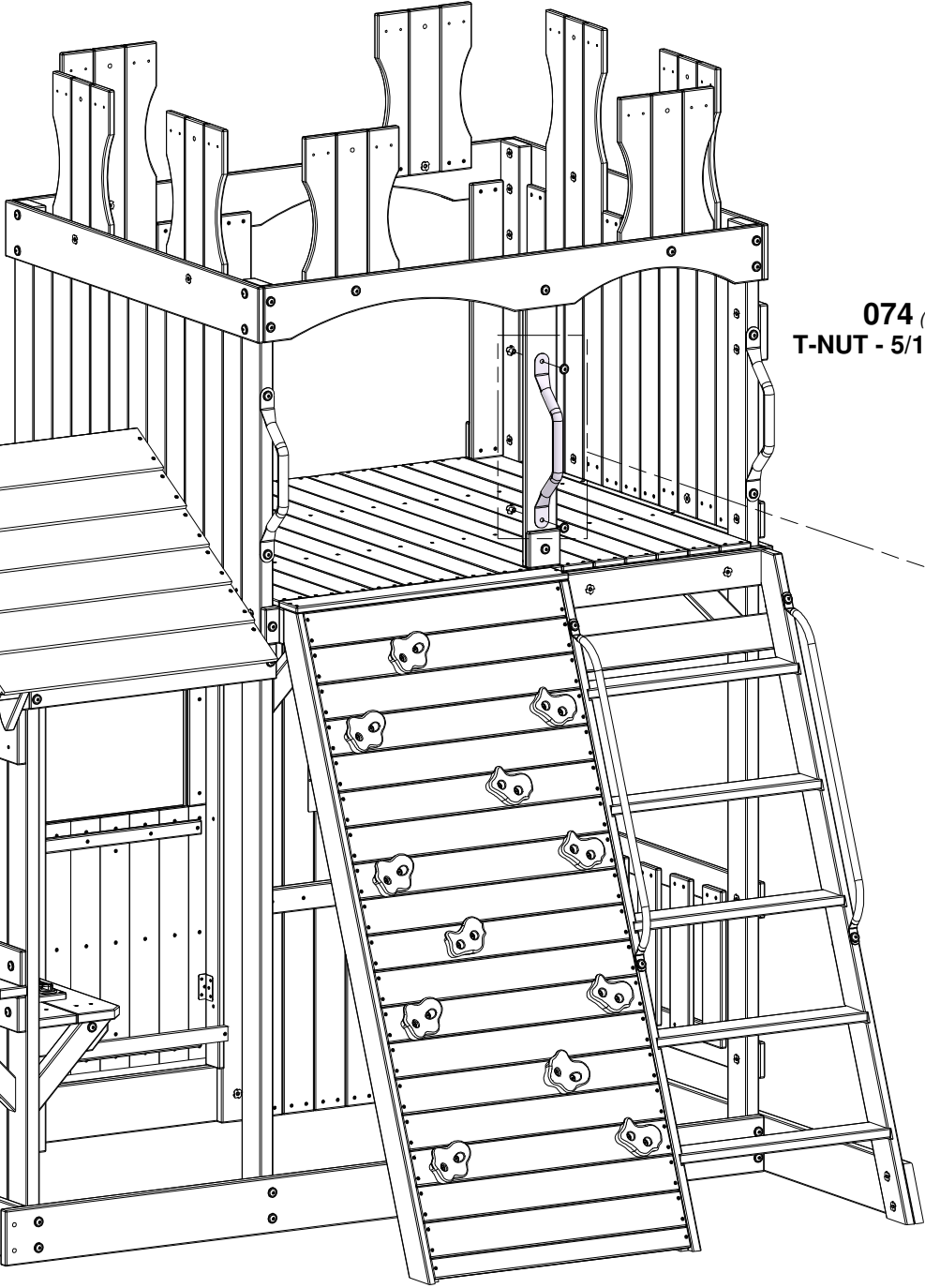
# STEP 70 - FORT ASSEMBLY

QTY	PART NUMBER	DESCRIPTION
2	H100074	T-NUT 5/16
2	H100115	BOLT WH 5/16x1/2



**A100118** | **HAND GRIP**  
*(x1)* | **METAL GREEN**  
**381 c/c**

**TIP:**  
**INSTALL T-NUTS IN WOOD FIRST**



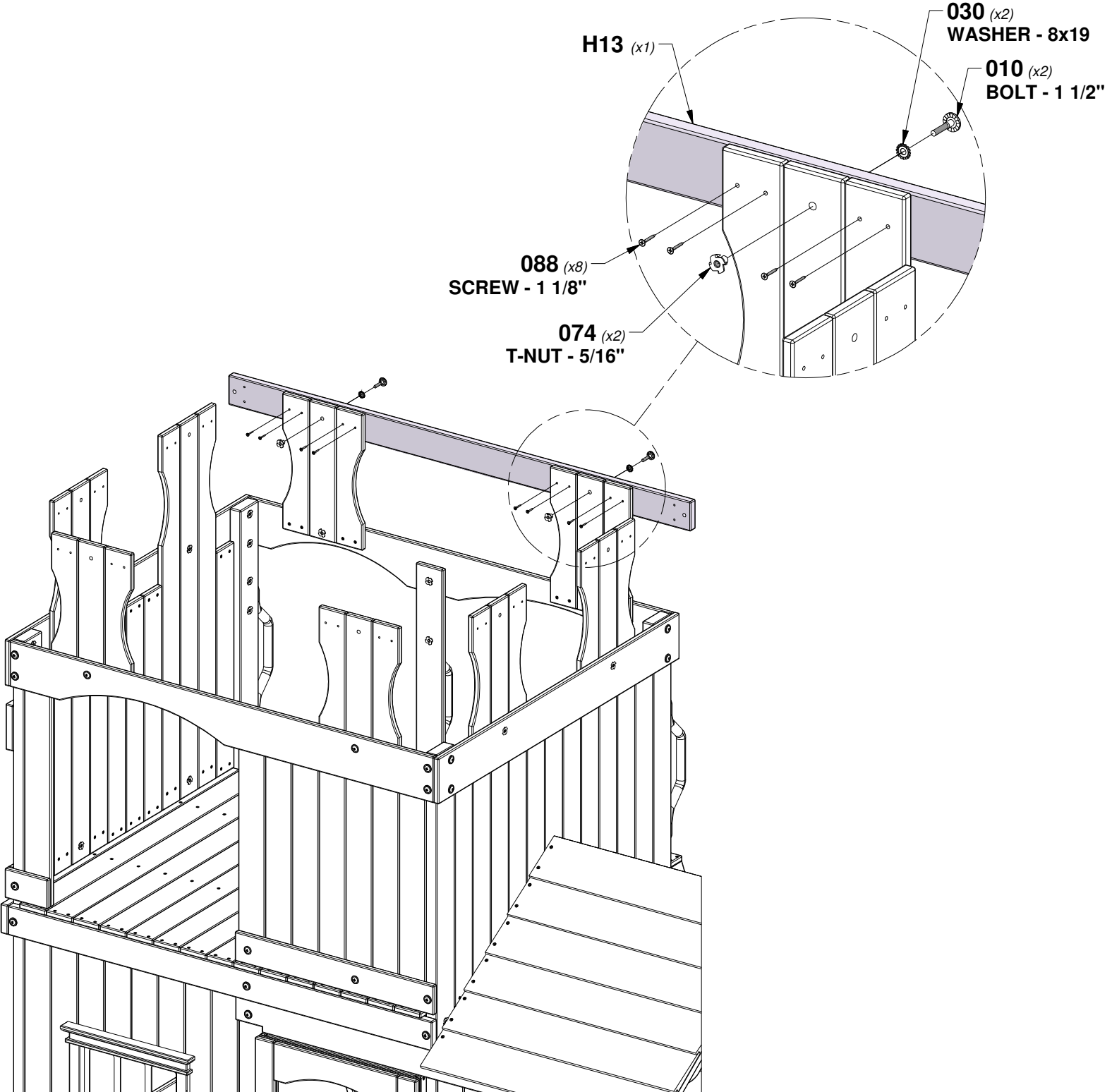
# STEP 71 - FORT ASSEMBLY

QTY	PART NUMBER	DESCRIPTION
2	H100010	BOLT WH 5/16x1 1/2
2	H100030	WASHER LOCK EXT 8x19
2	H100074	T-NUT 5/16
8	H100088	SCREW PFH 8x1-1/8"



**H13** | HORIZONTAL ROOF SUPPORT - W104146  
 (x1) | 1"x3 3/8"x58 7/8" (24x86x1494)

**TIP:**  
 INSTALL T-NUTS IN WOOD FIRST



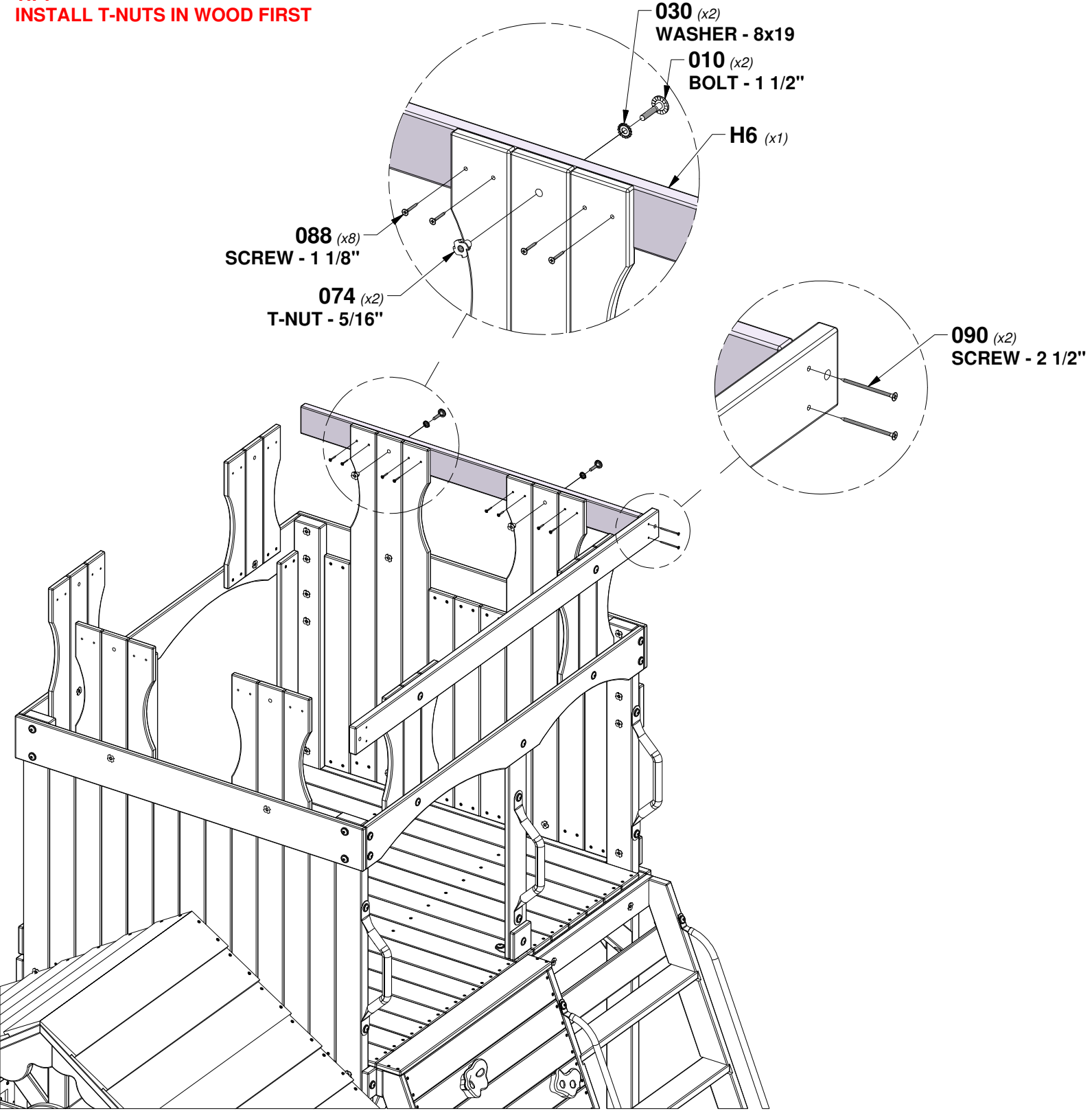
# STEP 72 - FORT ASSEMBLY

QTY	PART NUMBER	DESCRIPTION
2	H100010	BOLT WH 5/16x1 1/2
2	H100030	WASHER LOCK EXT 8x19
2	H100074	T-NUT 5/16
8	H100088	SCREW PFH 8x1-1/8"
2	H100090	SCREW PFH 8x2 1/2



**H6** | HORIZONTAL ROOF SUPPORT - W104145  
 (x1) | 1"x3 3/8"x44 1/4" (24x86x1124)

**TIP:**  
 INSTALL T-NUTS IN WOOD FIRST



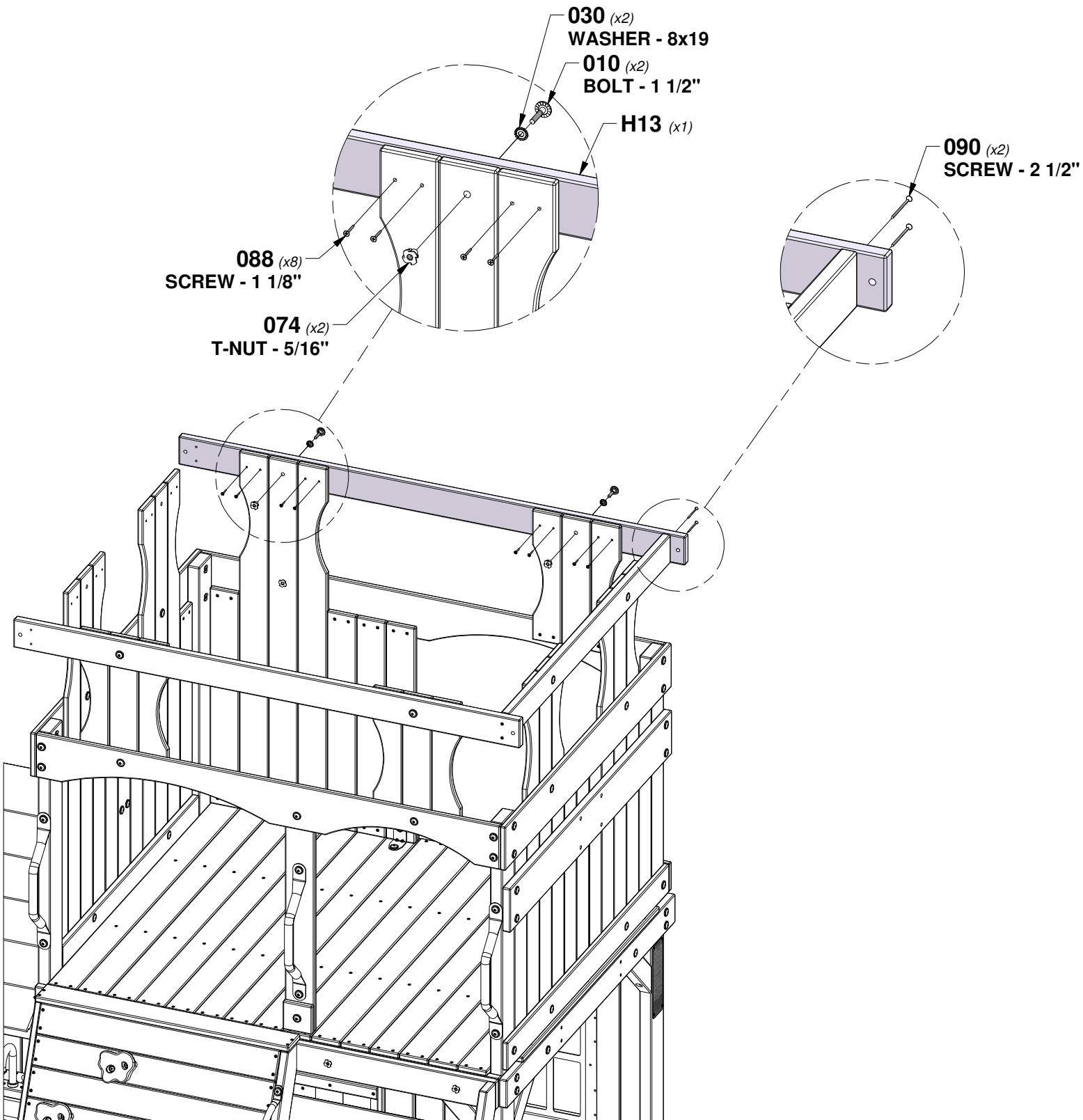
# STEP 73 - FORT ASSEMBLY



**H13** | HORIZONTAL ROOF SUPPORT - W104146  
 (x1) | 1"x3 3/8"x58 7/8" (24x86x1494)

QTY	PART NUMBER	DESCRIPTION
2	H100010	BOLT WH 5/16x1 1/2
2	H100030	WASHER LOCK EXT 8x19
2	H100074	T-NUT 5/16
8	H100088	SCREW PFH 8x1-1/8"
2	H100090	SCREW PFH 8x2 1/2"

**TIP:**  
**INSTALL T-NUTS IN WOOD FIRST**





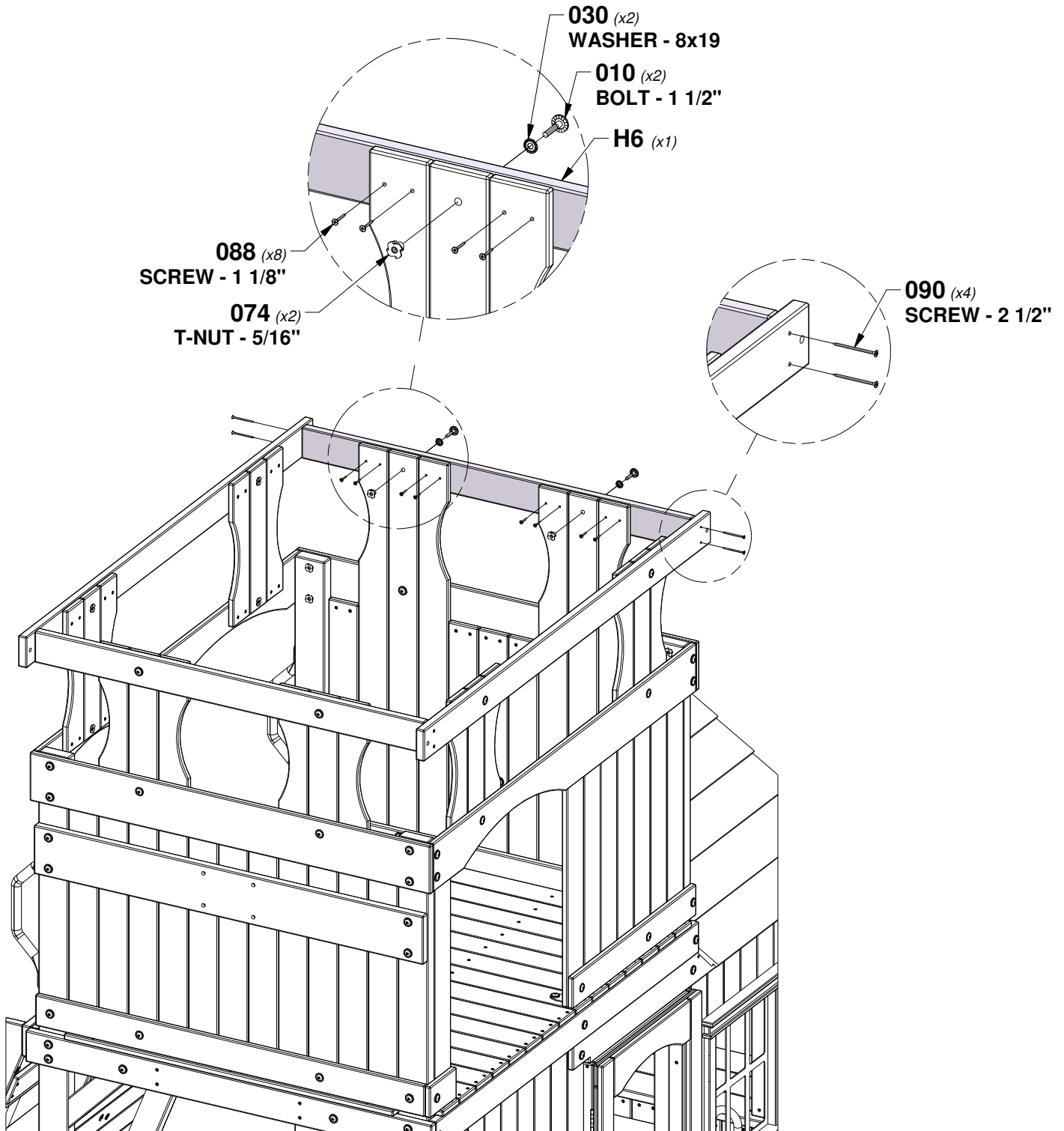
# STEP 74 - FORT ASSEMBLY

QTY	PART NUMBER	DESCRIPTION
2	H100010	BOLT WH 5/16x1 1/2
2	H100030	WASHER LOCK EXT 8x19
2	H100074	T-NUT 5/16
8	H100088	SCREW PFH 8x1-1/8"
4	H100090	SCREW PFH 8x2 1/2"



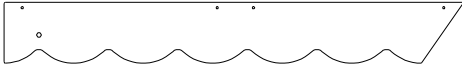
**H6** | HORIZONTAL ROOF SUPPORT - W104145  
 (x1) | 1"x3 3/8"x44 1/4" (24x86x1124)

**TIP:**  
**INSTALL T-NUTS IN WOOD FIRST**



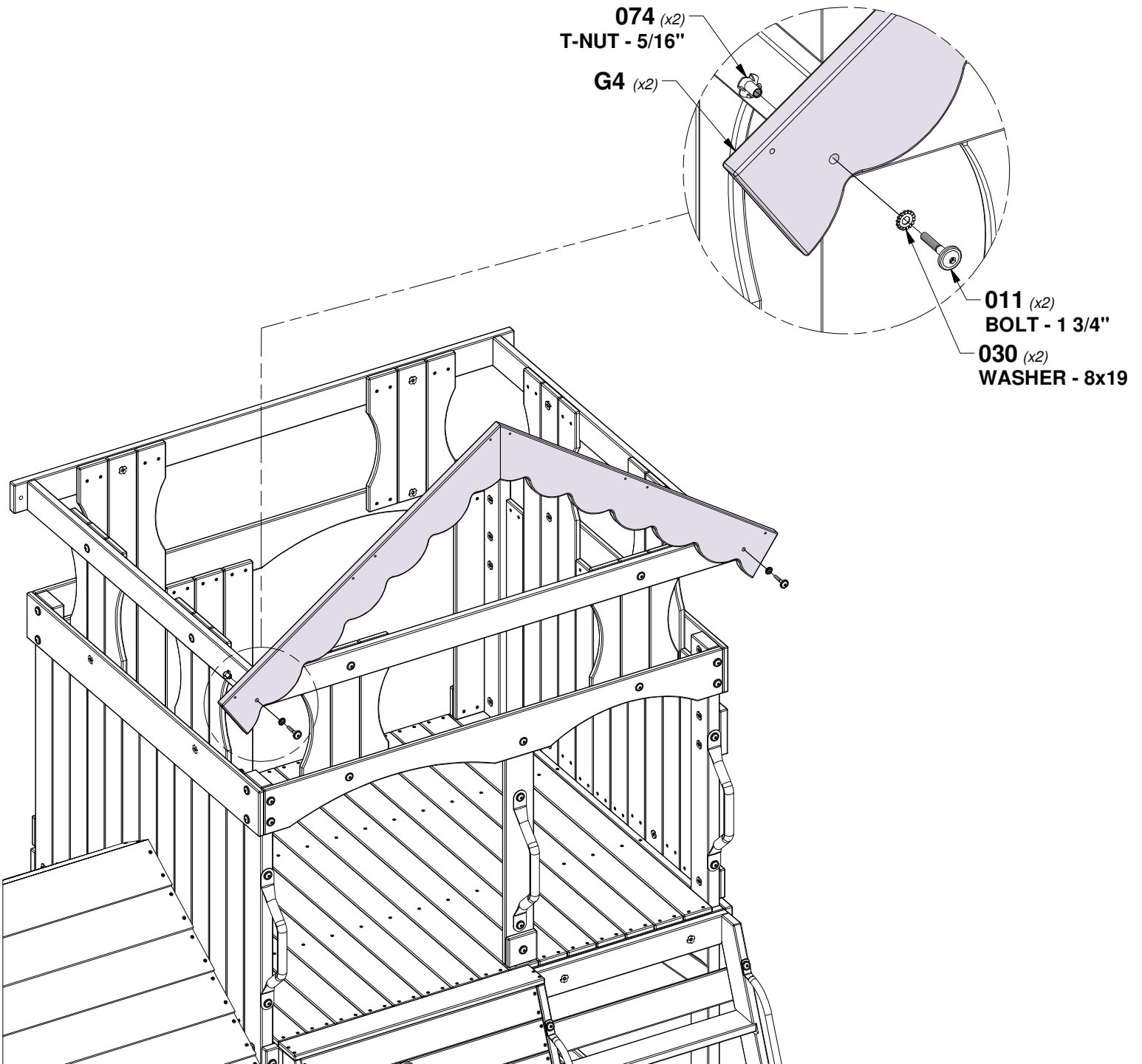
# STEP 75 - FORT ASSEMBLY

QTY	PART NUMBER	DESCRIPTION
2	H100011	BOLT WH 5/16x1 3/4
2	H100030	WASHER LOCK EXT 8x19
2	H100074	T-NUT 5/16



**G4** | FORT GABLE BOARD - W104150  
(x2) | 1"x5 1/4"x39 7/8" (24x134x1014)

**TIP:**  
INSTALL T-NUTS IN WOOD FIRST



# STEP 76 - FORT ASSEMBLY

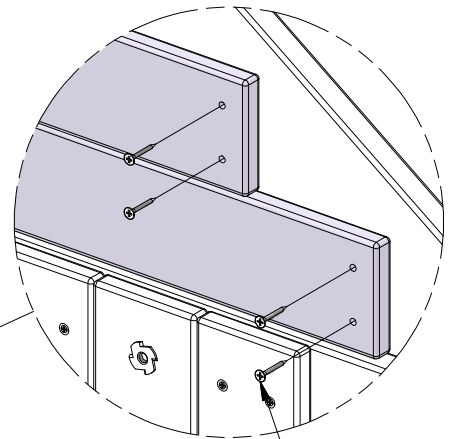
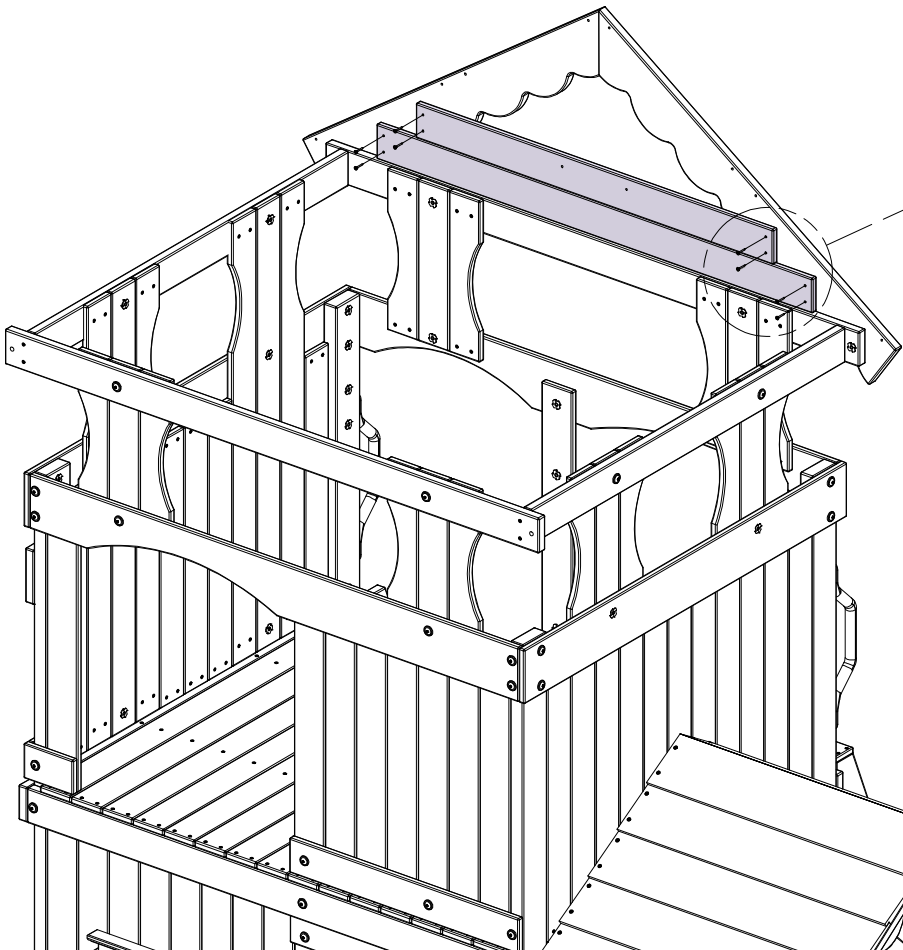
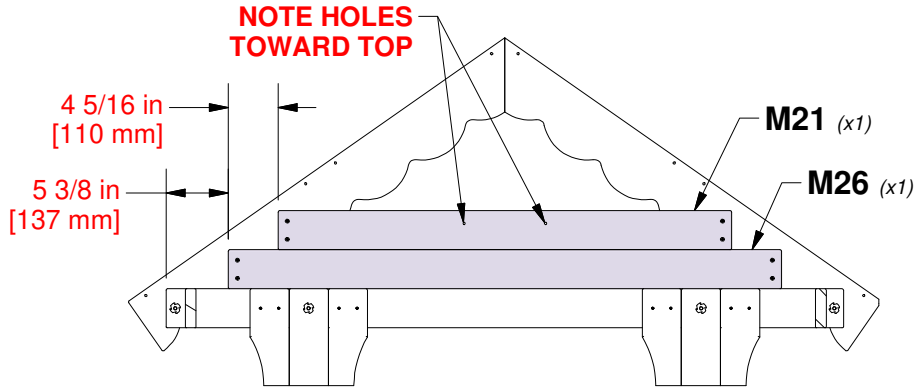
QTY	PART NUMBER	DESCRIPTION
8	H100088	SCREW PFH 8x1-1/8"



**M26** | GABLE BOARD - W104157  
(x1) | 5/8"x3 3/8"x48" (16x86x1220)



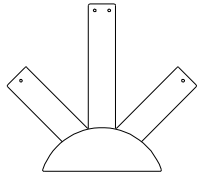
**M21** | GABLE BOARD - W104158  
(x1) | 5/8"x3 3/8"x39 3/8" (16x86x1000)



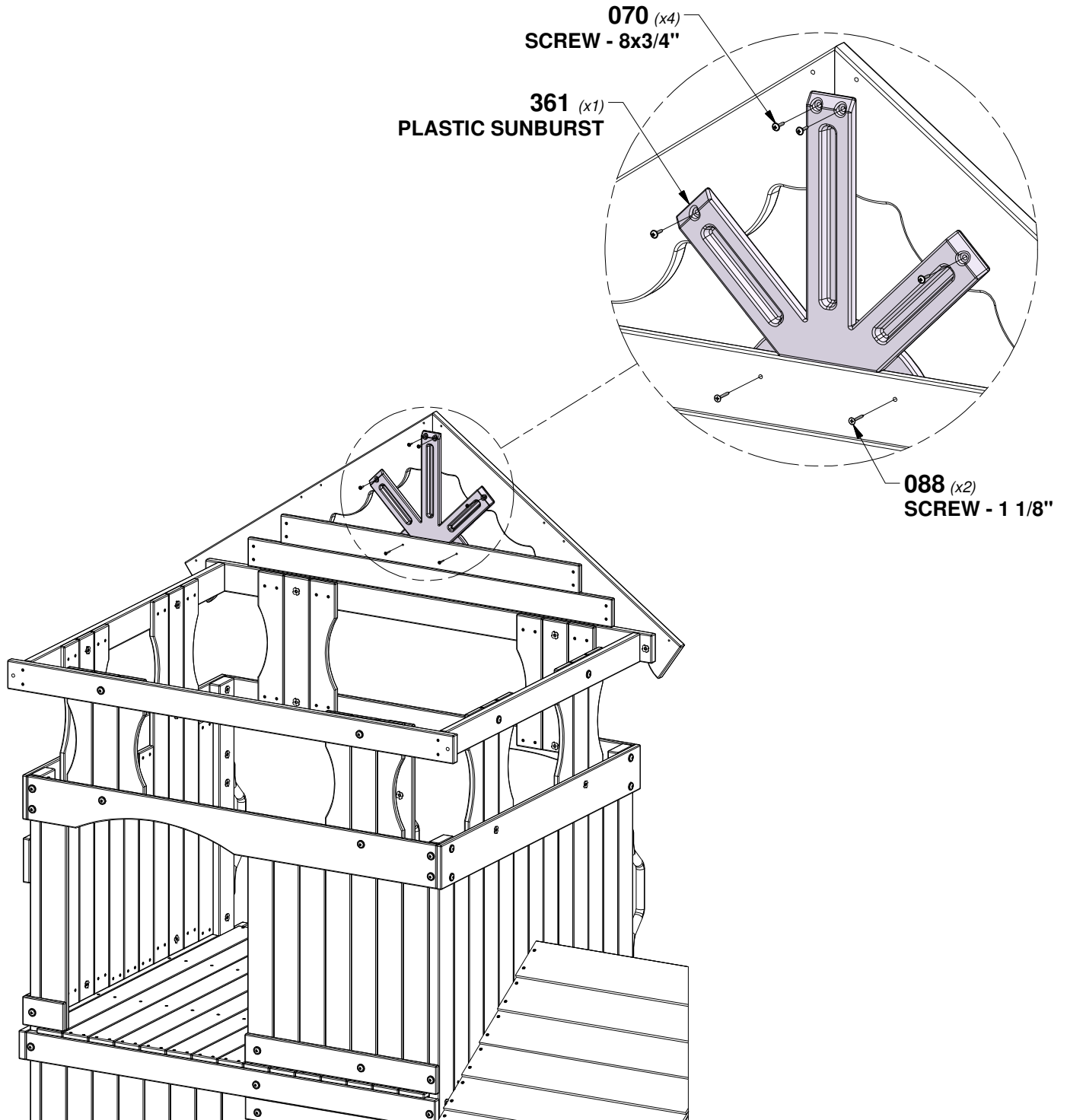
**088** (x8)  
SCREW - 1 1/8"

# STEP 77 - FORT ASSEMBLY

QTY	PART NUMBER	DESCRIPTION
4	H100070	SCREW PWH 8x3/4
2	H100088	SCREW PFH 8x1-1/8"

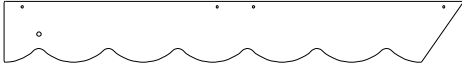


**A100361**  
(x1) | **PLASTIC SUNBURST**



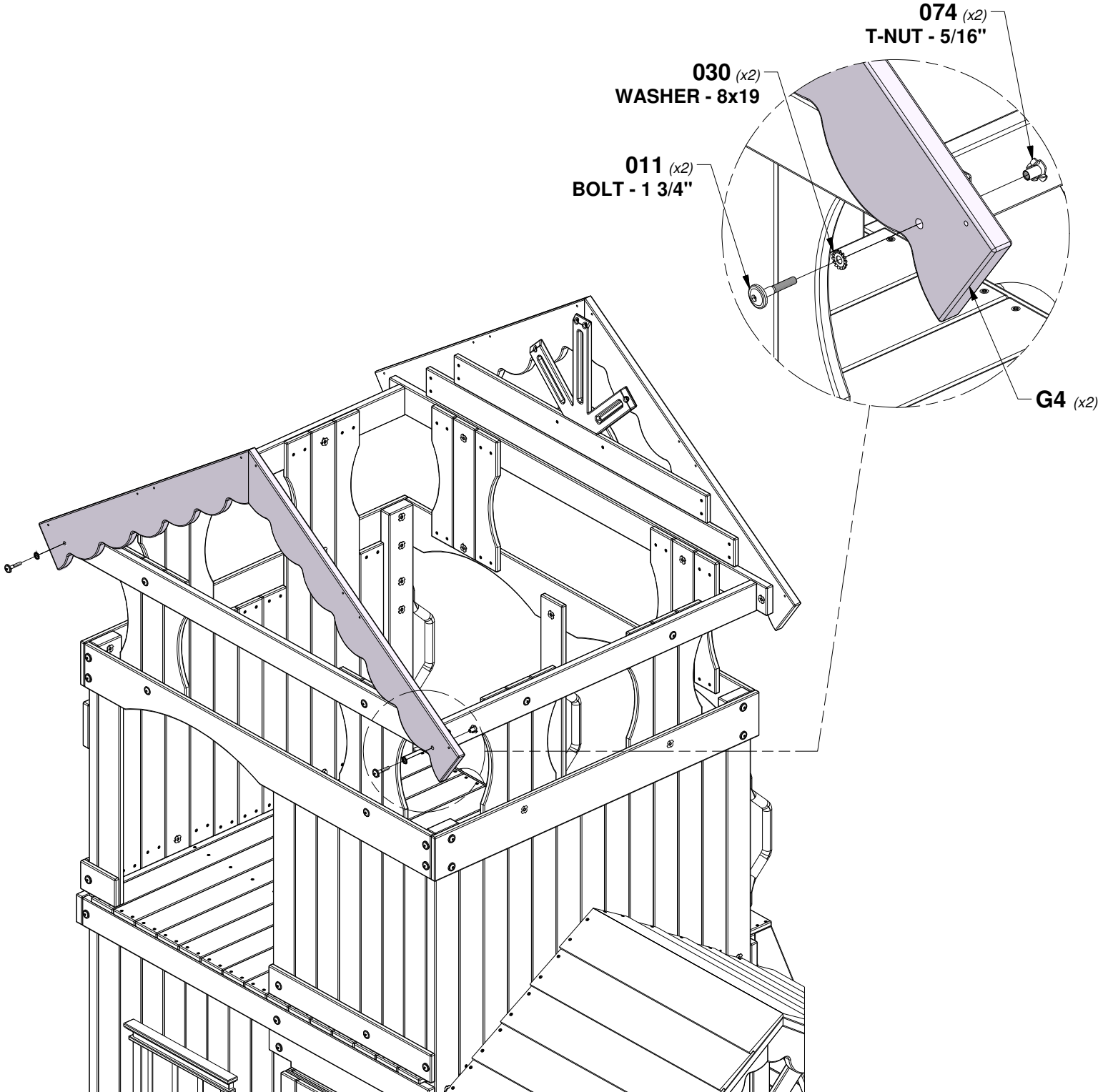
# STEP 78 - FORT ASSEMBLY

QTY	PART NUMBER	DESCRIPTION
2	H100011	BOLT WH 5/16x1 3/4
2	H100030	WASHER LOCK EXT 8x19
2	H100074	T-NUT 5/16



**G4** | FORT GABLE BOARD - W104150  
(x2) | 1"x5 1/4"x39 7/8" (24x134x1014)

**TIP:**  
INSTALL T-NUTS IN WOOD FIRST



# STEP 79 - FORT ASSEMBLY

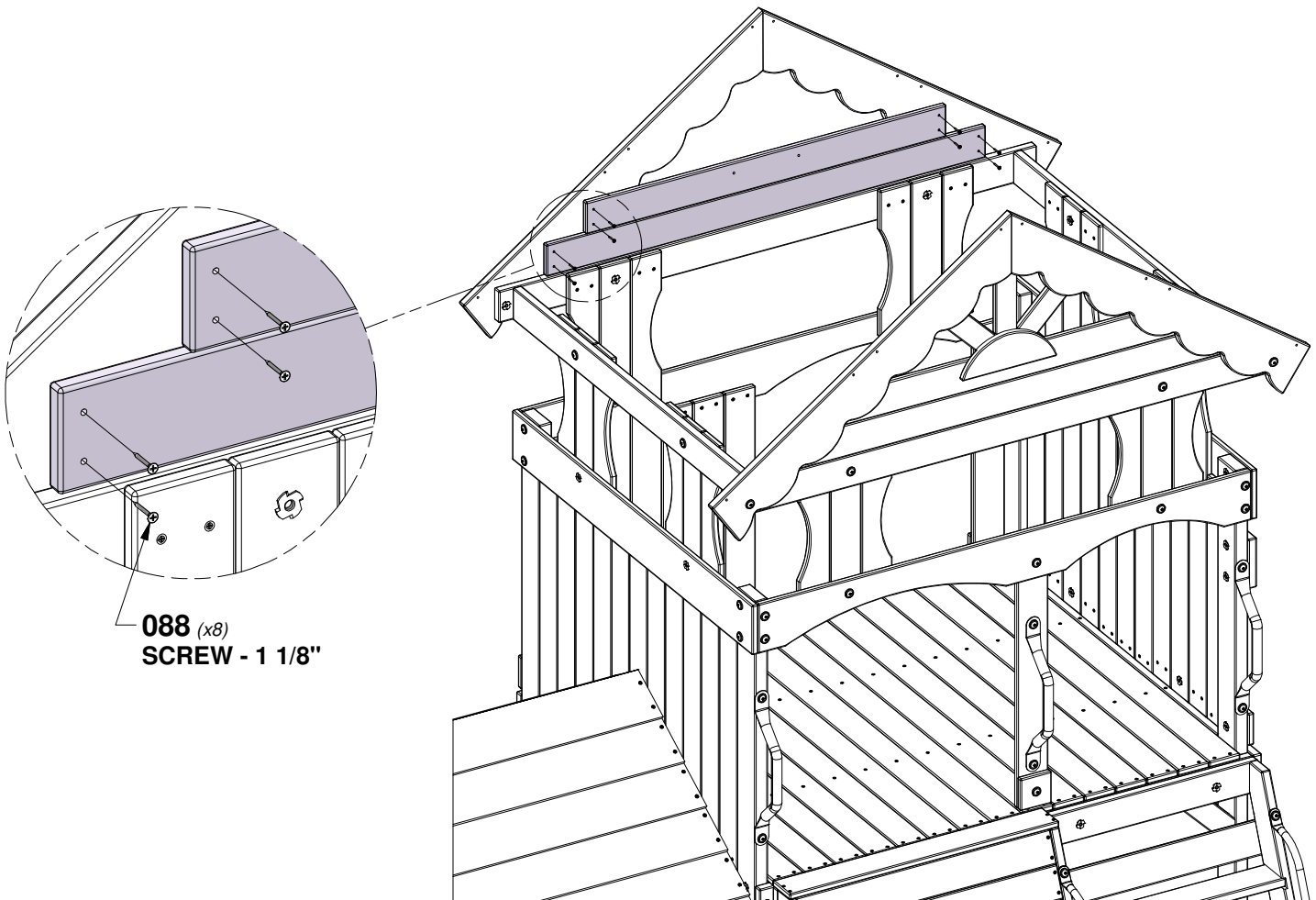
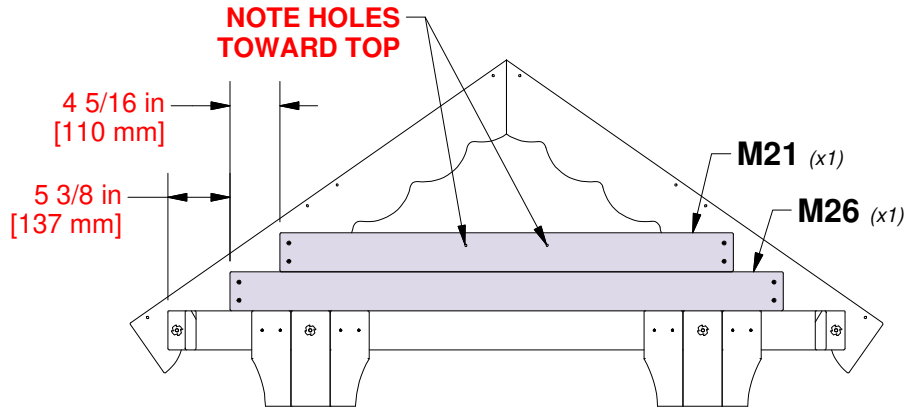
QTY	PART NUMBER	DESCRIPTION
8	H100088	SCREW PFH 8x1-1/8"



**M26** | GABLE BOARD - W104157  
(x1) | 5/8"x3 3/8"x48" (16x86x1220)

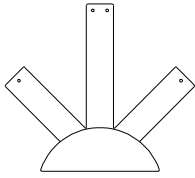


**M21** | GABLE BOARD - W104158  
(x1) | 5/8"x3 3/8"x39 3/8" (16x86x1000)

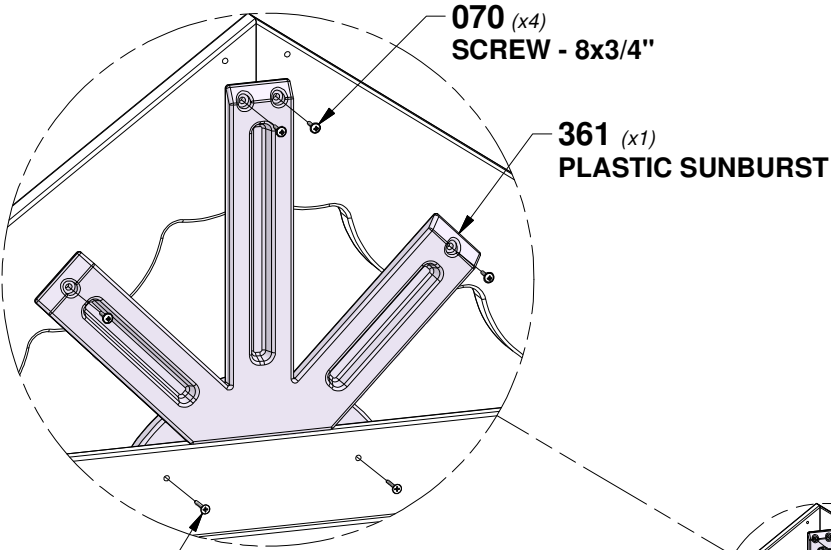


# STEP 80 - FORT ASSEMBLY

QTY	PART NUMBER	DESCRIPTION
4	H100070	SCREW PWH 8x3/4
2	H100088	SCREW PFH 8x1-1/8"



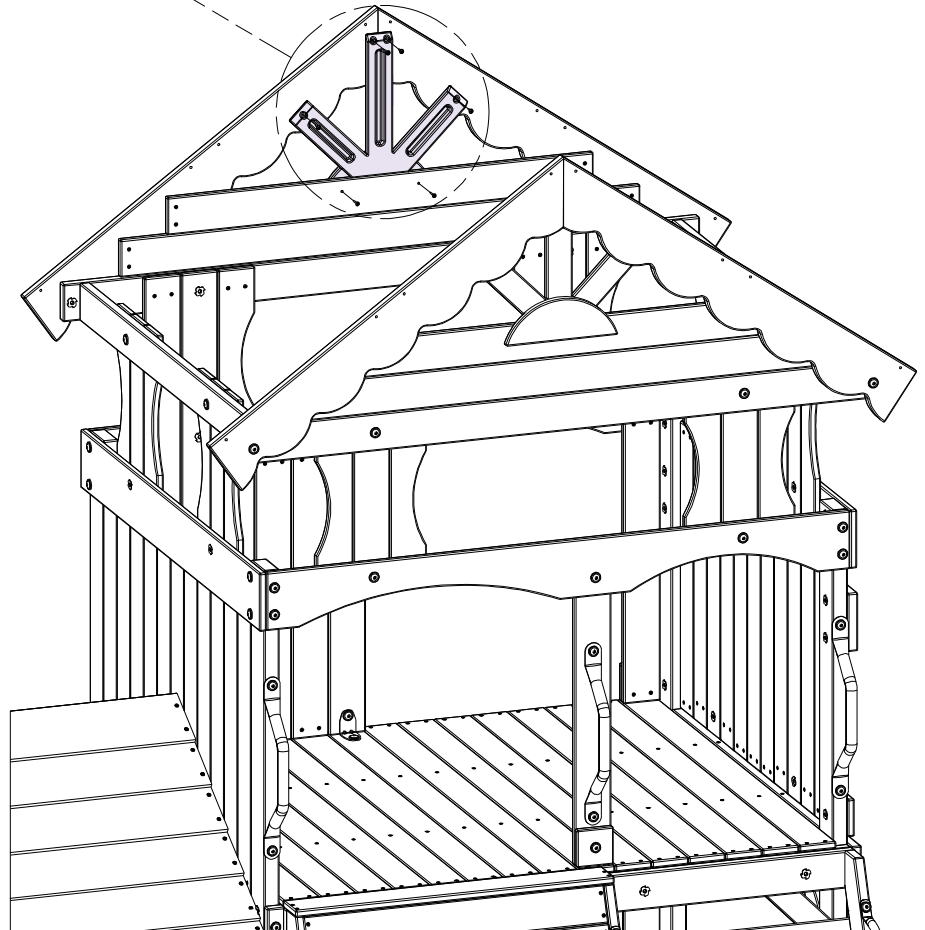
**A100361**  
(x1) | **PLASTIC SUNBURST**



**070** (x4)  
**SCREW - 8x3/4"**

**361** (x1)  
**PLASTIC SUNBURST**

**088** (x2)  
**SCREW - 1 1/8"**



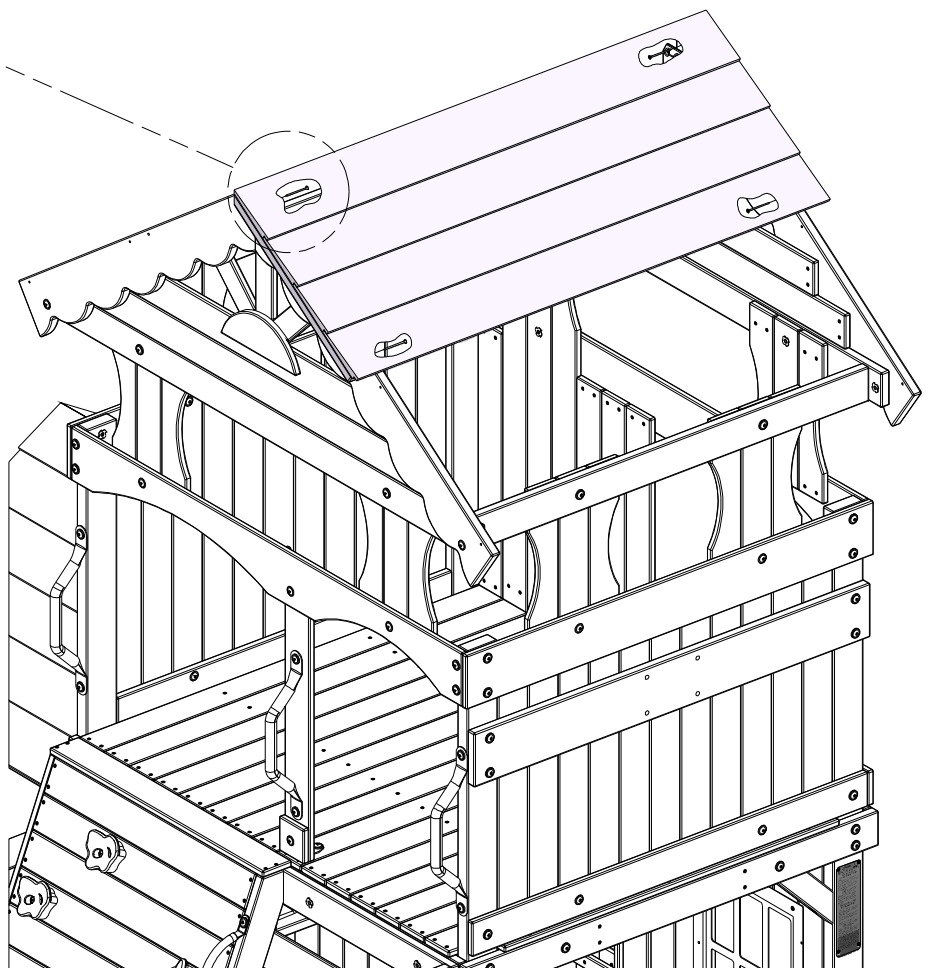
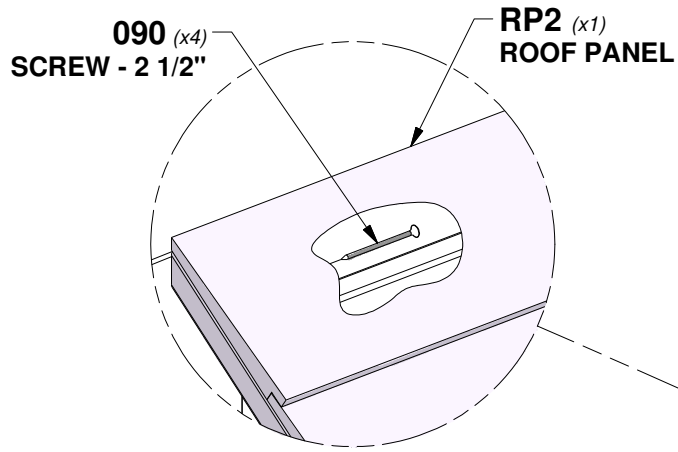


# STEP 81 - FORT ASSEMBLY

QTY	PART NUMBER	DESCRIPTION
4	H100090	SCREW PFH 8x2 1/2



**RP2** | ROOF PANEL - W104149  
(x1) | 1 5/8"x20 5/8"x52 3/4" (42x524x1340)



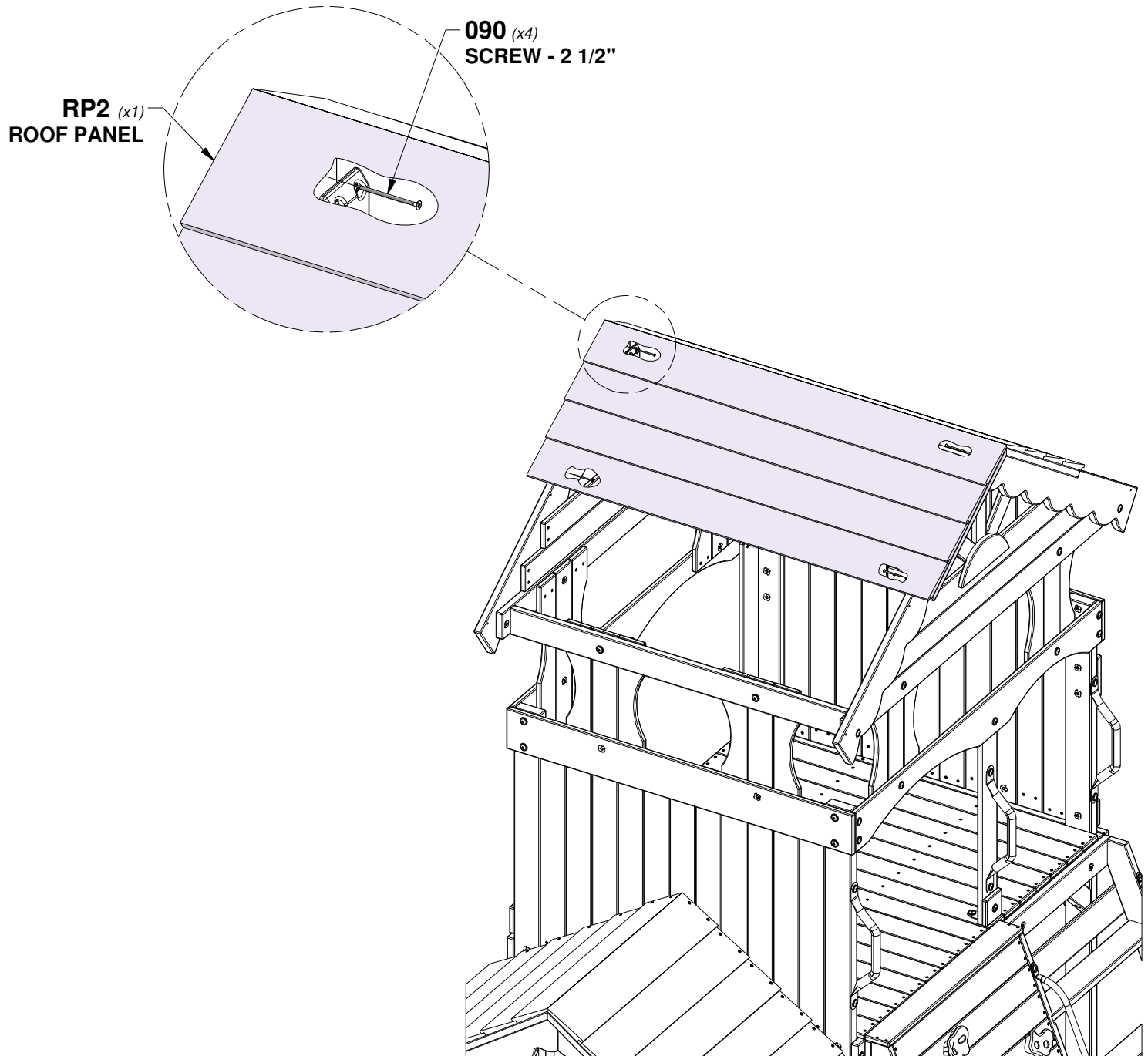


# STEP 82 - FORT ASSEMBLY

QTY	PART NUMBER	DESCRIPTION
4	H100090	SCREW PFH 8x2 1/2

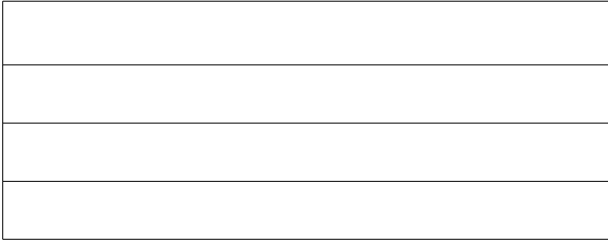


**RP2** | ROOF PANEL - W104149  
(x1) | 1 5/8"x20 5/8"x52 3/4" (42x524x1340)

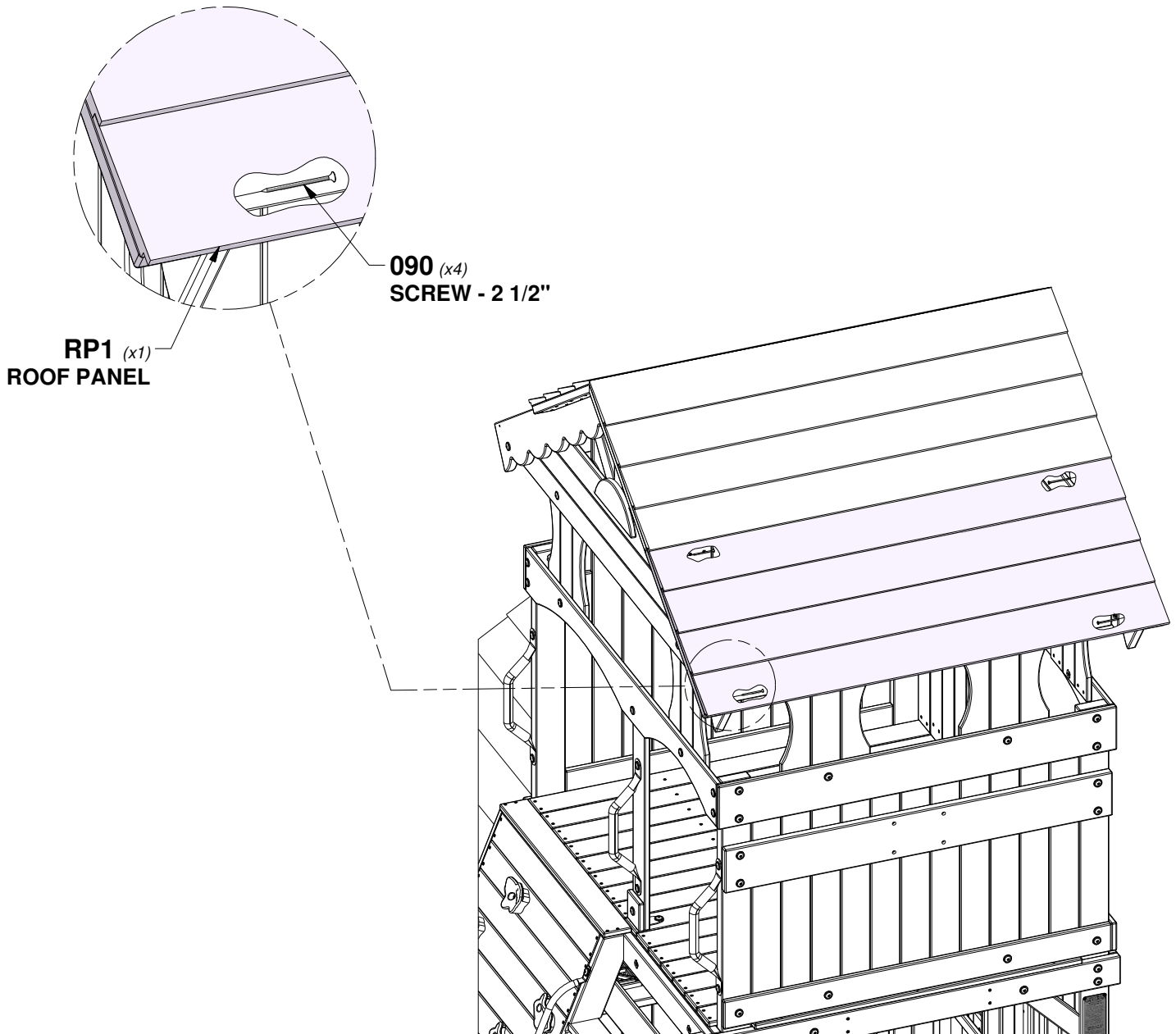


# STEP 83 - FORT ASSEMBLY

QTY	PART NUMBER	DESCRIPTION
4	H100090	SCREW PFH 8x2 1/2

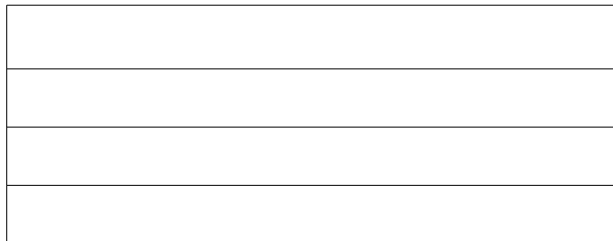


**RP1 | ROOF PANEL - W104148**  
(x1) | 1 5/8"x20 5/8"x52 3/4" (42x524x1340)

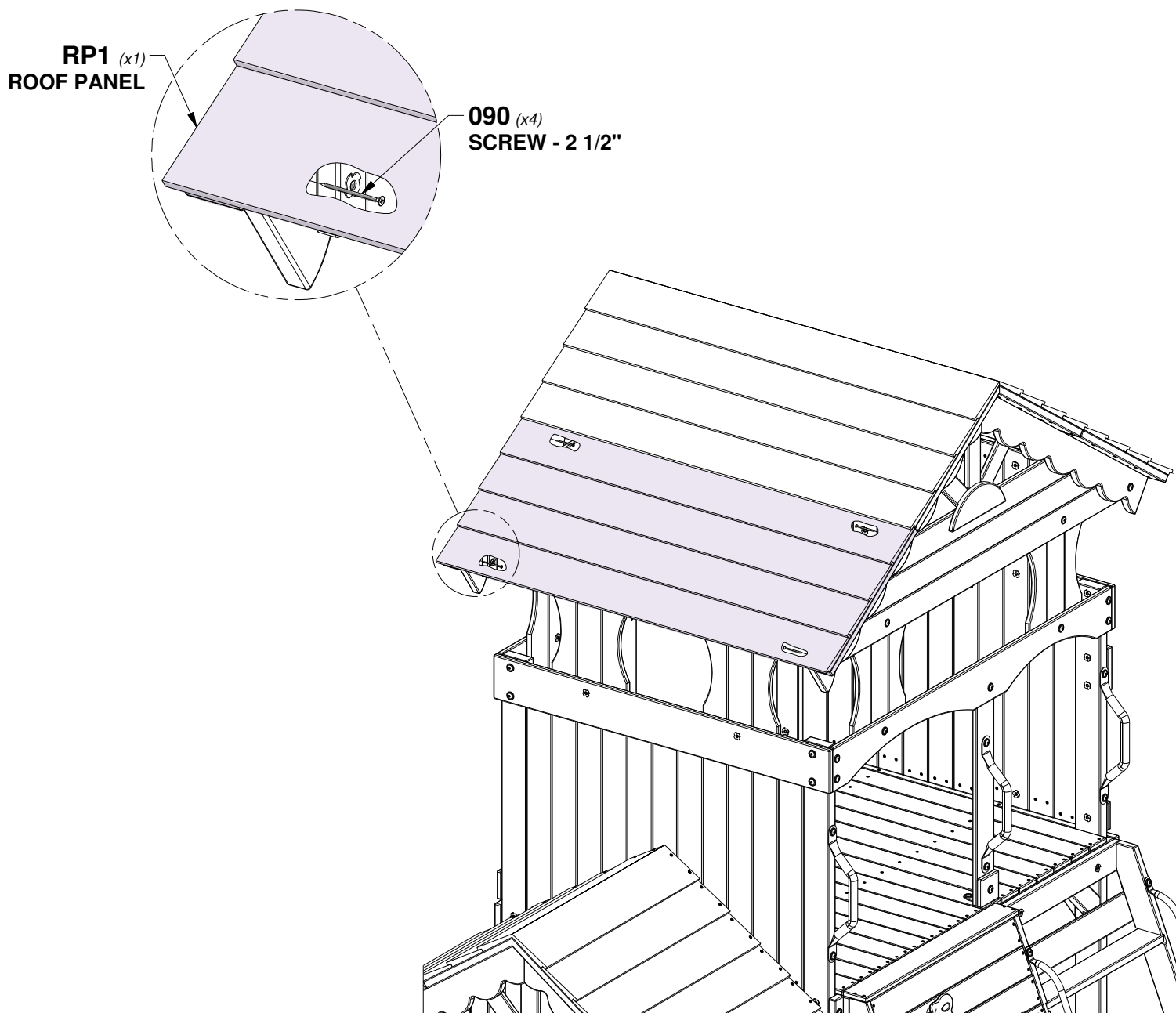


# STEP 84 - FORT ASSEMBLY

QTY	PART NUMBER	DESCRIPTION
4	H100090	SCREW PFH 8x2 1/2

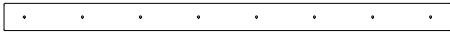


**RP1 | ROOF PANEL - W104148**  
(x1) | 1 5/8"x20 5/8"x52 3/4" (42x524x1340)

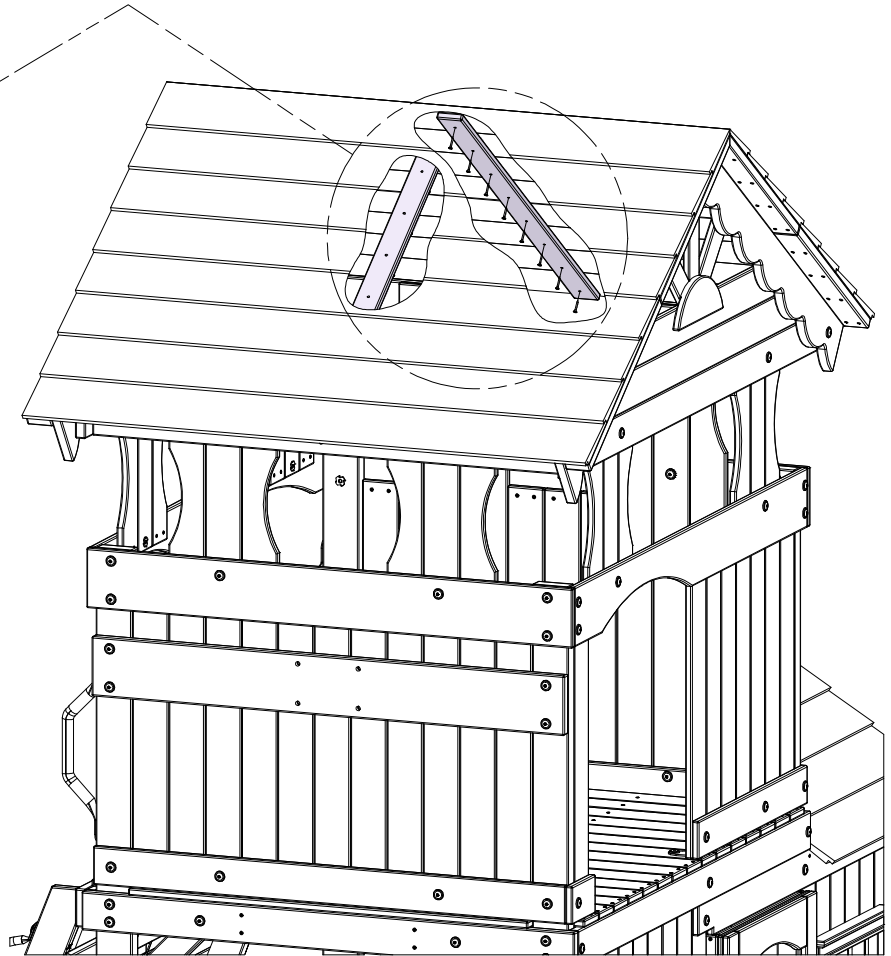
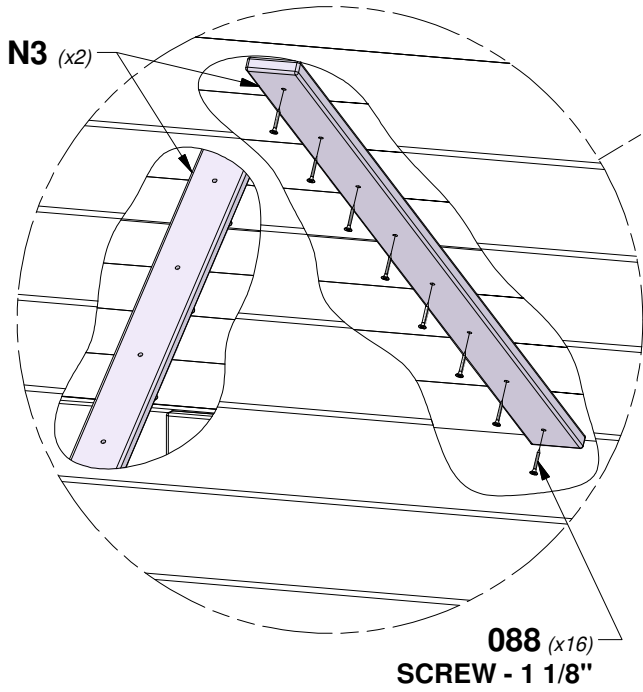
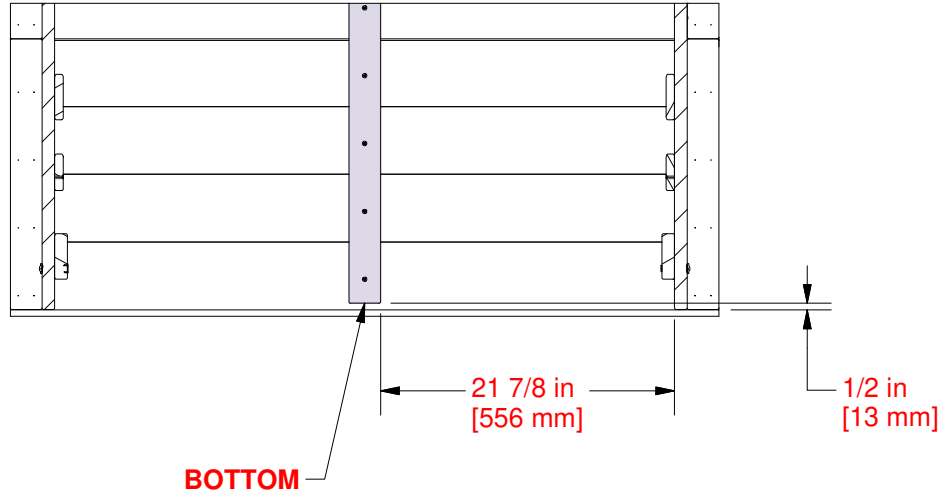


# STEP 85 - FORT ASSEMBLY

QTY	PART NUMBER	DESCRIPTION
16	H100088	SCREW PFH 8x1-1/8"



**N3** | ROOF SUPPORT - W4L16744  
(x2) | 5/8"x2 3/8"x38 7/8" (16x60x987)



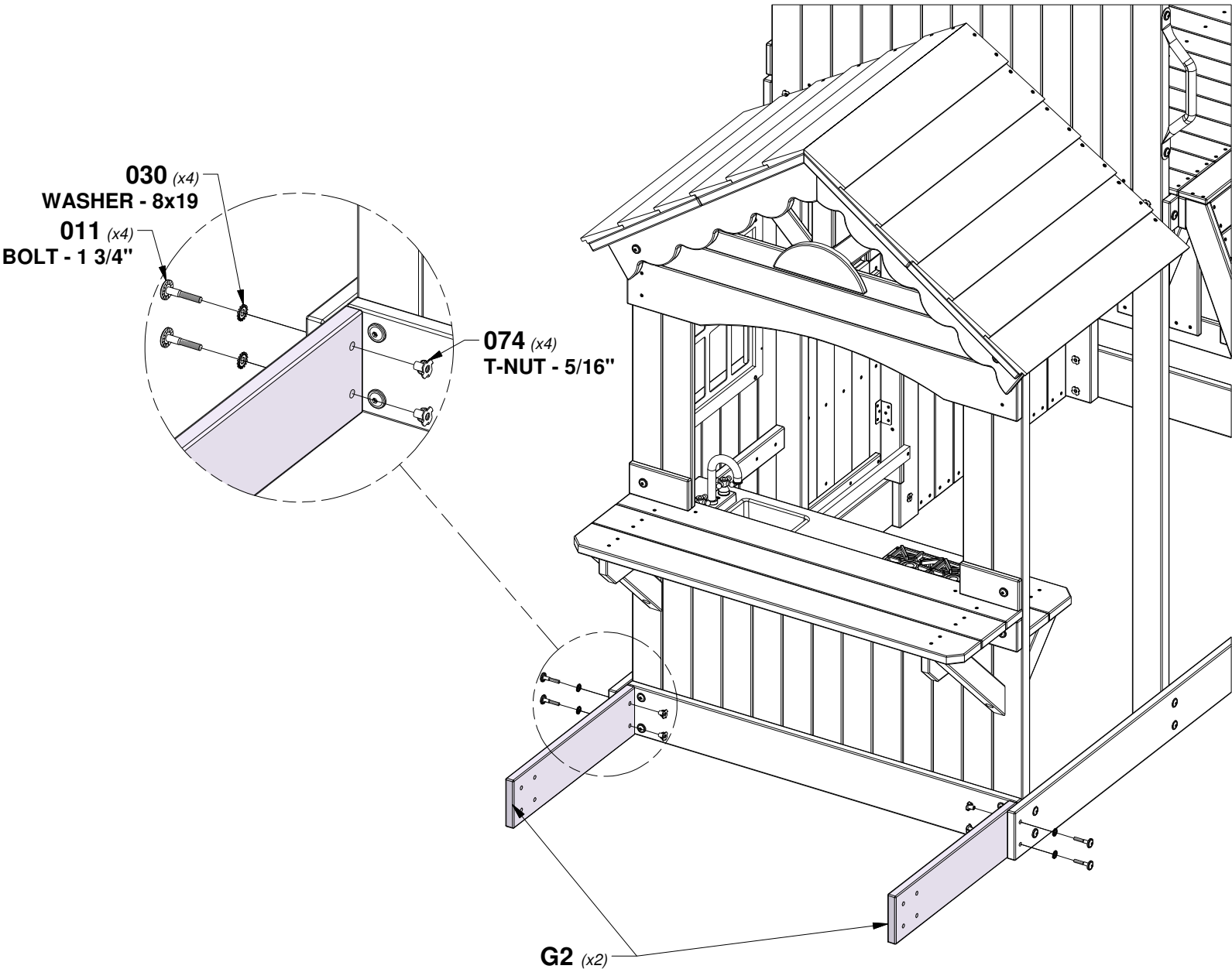
# STEP 86 - FORT ASSEMBLY

QTY	PART NUMBER	DESCRIPTION
4	H100011	BOLT WH 5/16x1 3/4
4	H100030	WASHER LOCK EXT 8x19
4	H100074	T-NUT 5/16



**G2** | HORIZONTAL BENCH LEG - W104168  
 (x2) | 1"x5 1/4"x22" (24x134x560)

**TIP:**  
 INSTALL T-NUTS IN WOOD FIRST



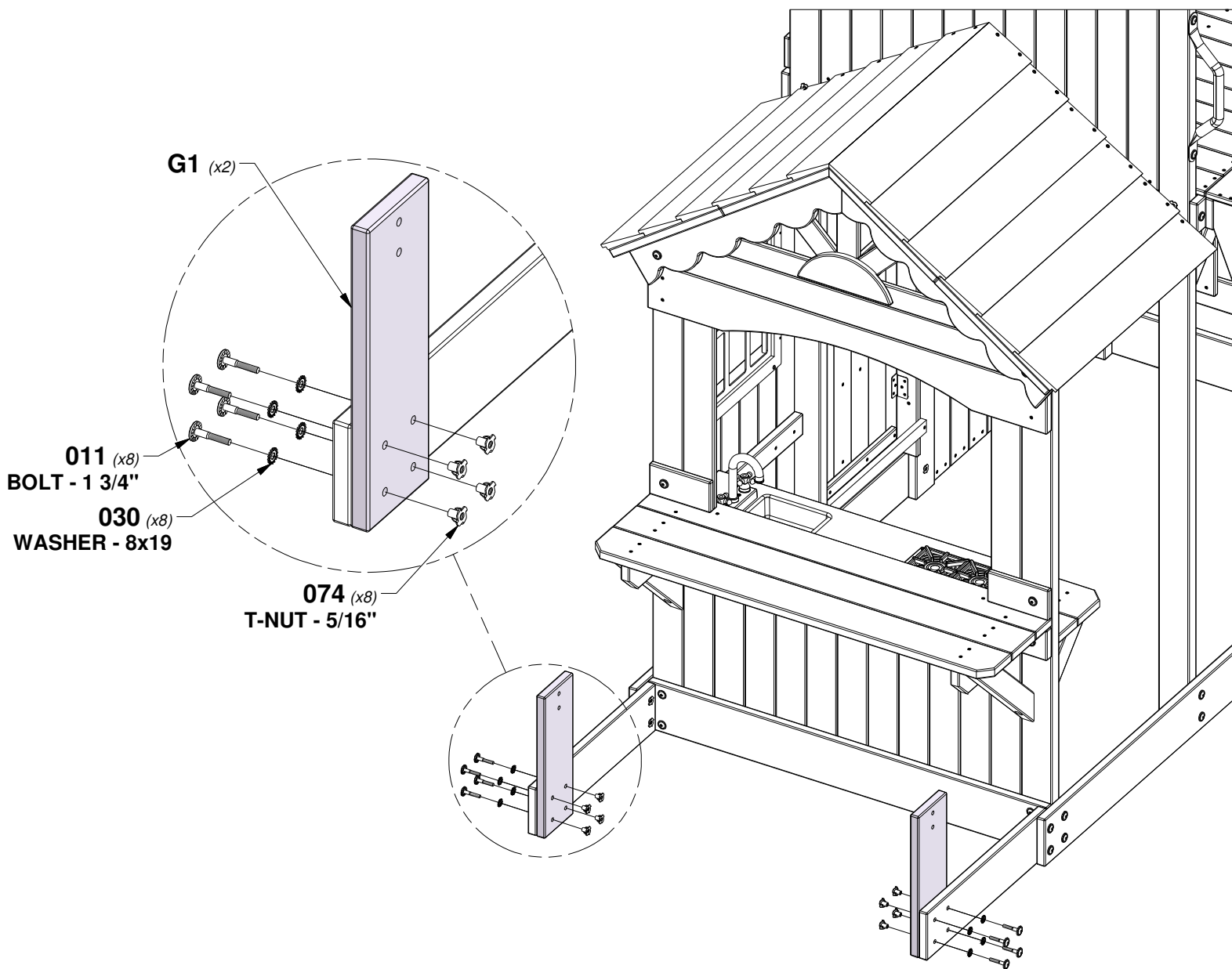
# STEP 87 - FORT ASSEMBLY



**G1** | VERTICAL BENCH LEG - W104170  
(x2) | 1"x5 1/4"x15 3/4" (24x134x400)

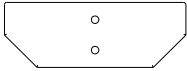
QTY	PART NUMBER	DESCRIPTION
8	H100011	BOLT WH 5/16x1 3/4
8	H100030	WASHER LOCK EXT 8x19
8	H100074	T-NUT 5/16

**TIP:**  
INSTALL T-NUTS IN WOOD FIRST



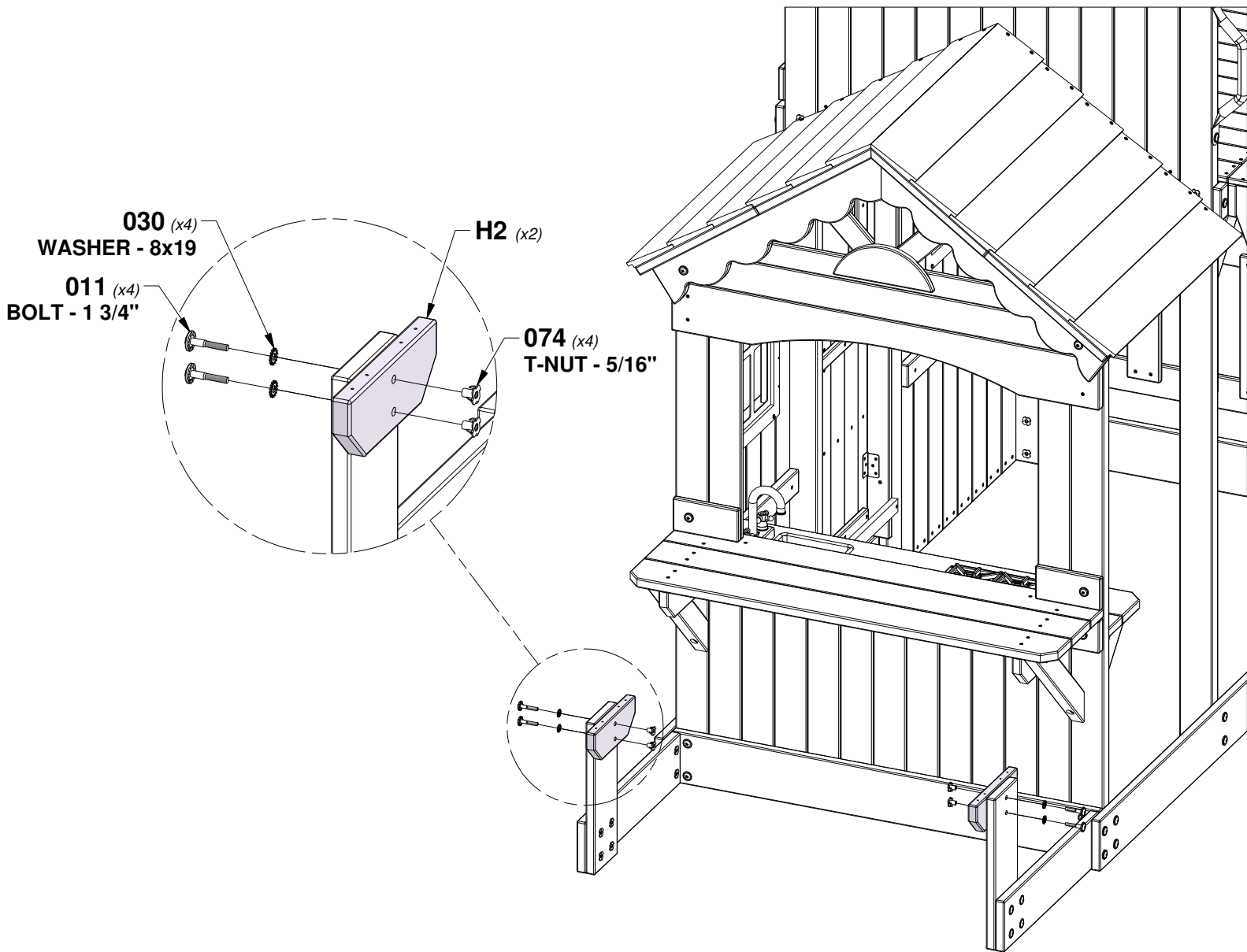
# STEP 88 - FORT ASSEMBLY

QTY	PART NUMBER	DESCRIPTION
4	H100011	BOLT WH 5/16x1 3/4
4	H100030	WASHER LOCK EXT 8x19
4	H100074	T-NUT 5/16



**H2** | BENCH SEAT SUPPORT - W4L16743  
(x2) 1"x3 3/8"x9 1/2" (24x86x240)

**TIP:**  
INSTALL T-NUTS IN WOOD FIRST



# STEP 89 - FORT ASSEMBLY

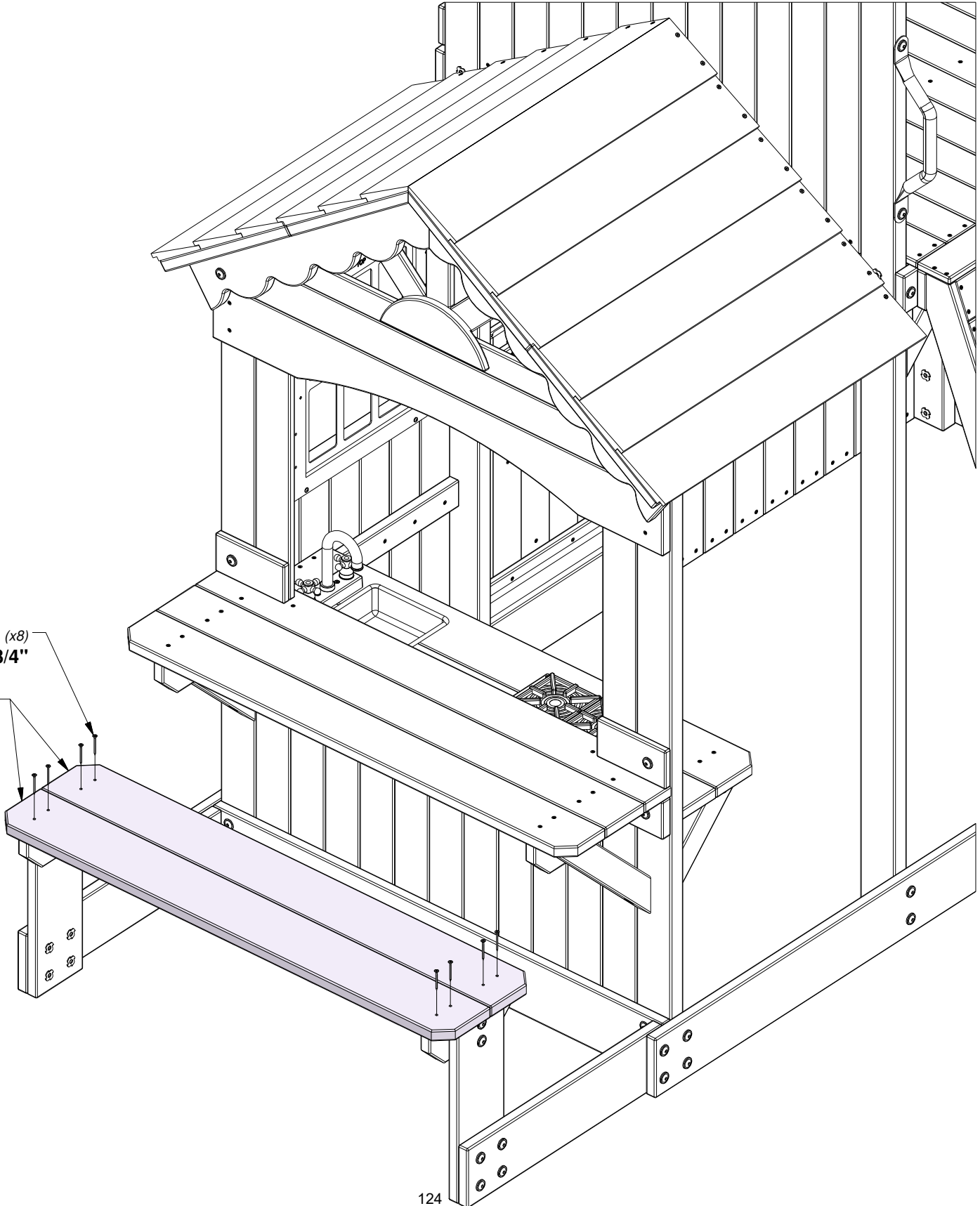
QTY	PART NUMBER	DESCRIPTION
8	H100089	SCREW PFH 8x1-3/4"



**G9** | SEAT BOARD - W104172  
(x2) | 1"x5 1/4"x44 1/4" (24x134x1124)

**089** (x8)  
SCREW - 1 3/4"

**G9** (x2)

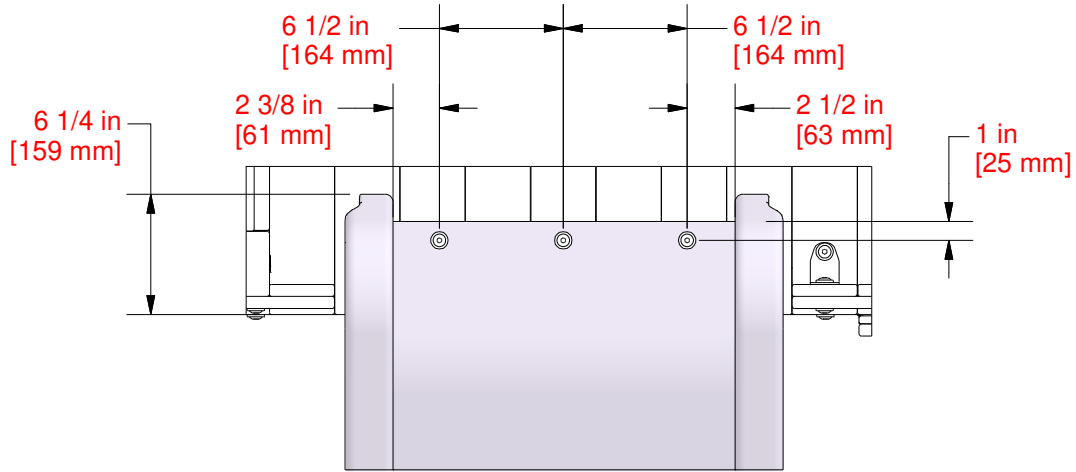




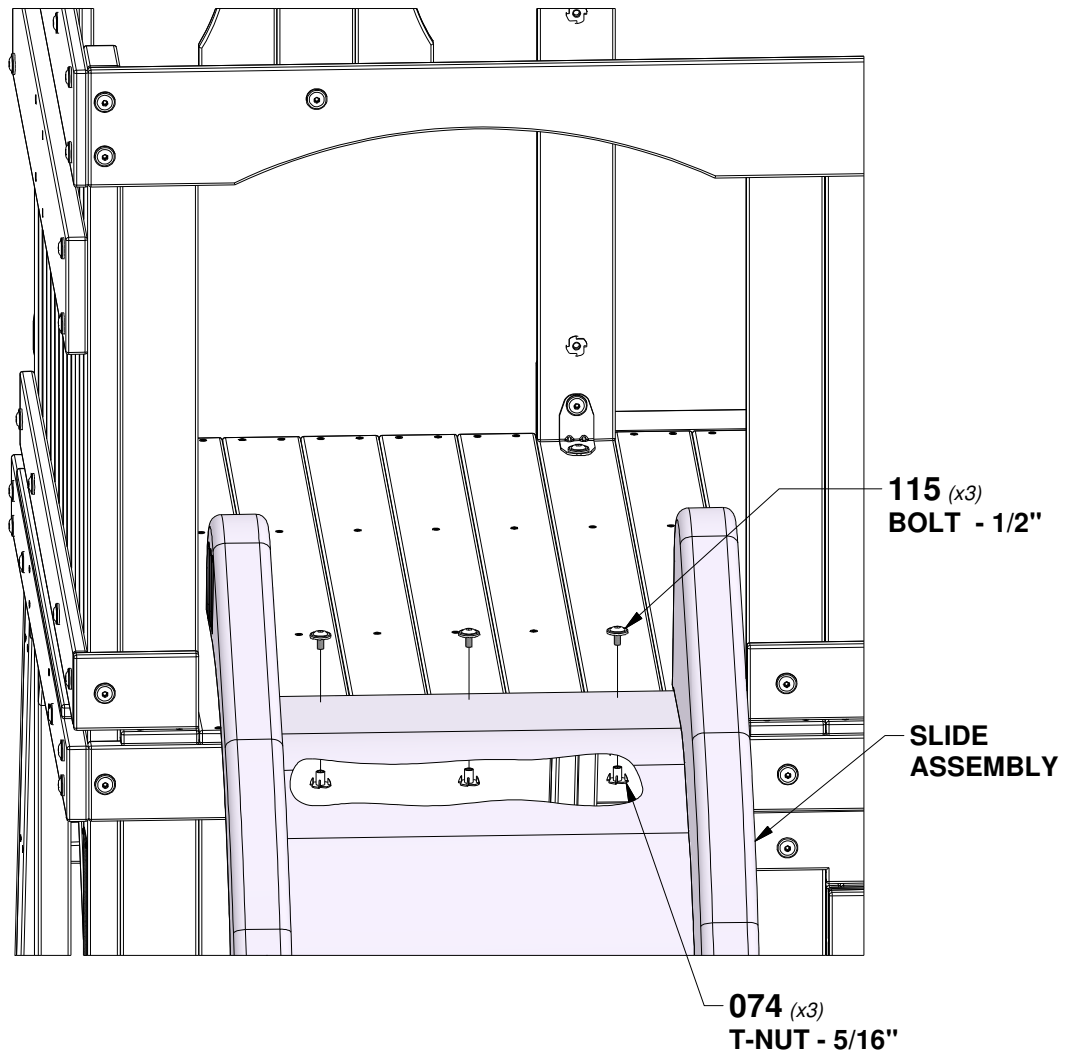
# STEP 1 - FINAL ASSEMBLY

QTY	PART NUMBER	DESCRIPTION
3	H100074	T-NUT 5/16
3	H100115	BOLT WH 5/16x1/2

**TIP:**  
**INSTALL T-NUTS IN WOOD FIRST**

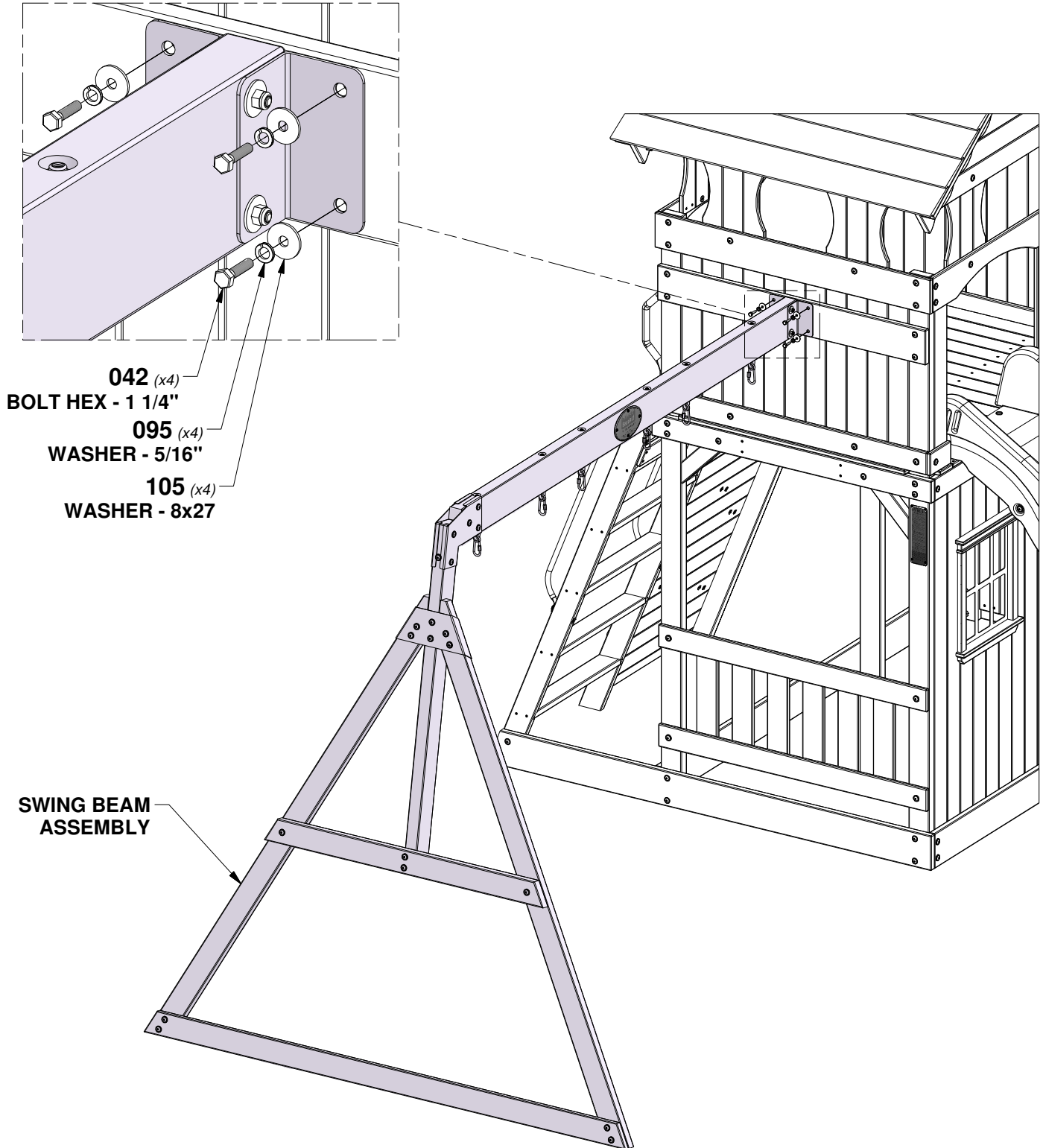


**NOTE:**  
 CENTER SLIDE IN OPENING. USING DIMENSIONS BELOW AS A  
 TEMPLATE, DRILL (3) 3/8" [10mm] HOLES THROUGH DECK FOR HARDWARE.

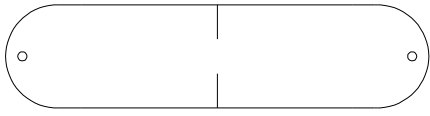


# STEP 2 - FINAL ASSEMBLY

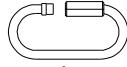
QTY	PART NUMBER	DESCRIPTION
4	H100042	BOLT HEX 5/16x1 1/4
4	H100095	WASHER SPLIT 5/16
4	H100105	WASHER FLAT 8x27



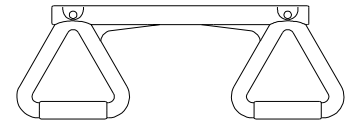
# STEP 3 - FINAL ASSEMBLY



**A6P00054**  
(x2) | **SWING SEAT GREEN 22"**



**A100069**  
(x6) | **QUICK LINK**



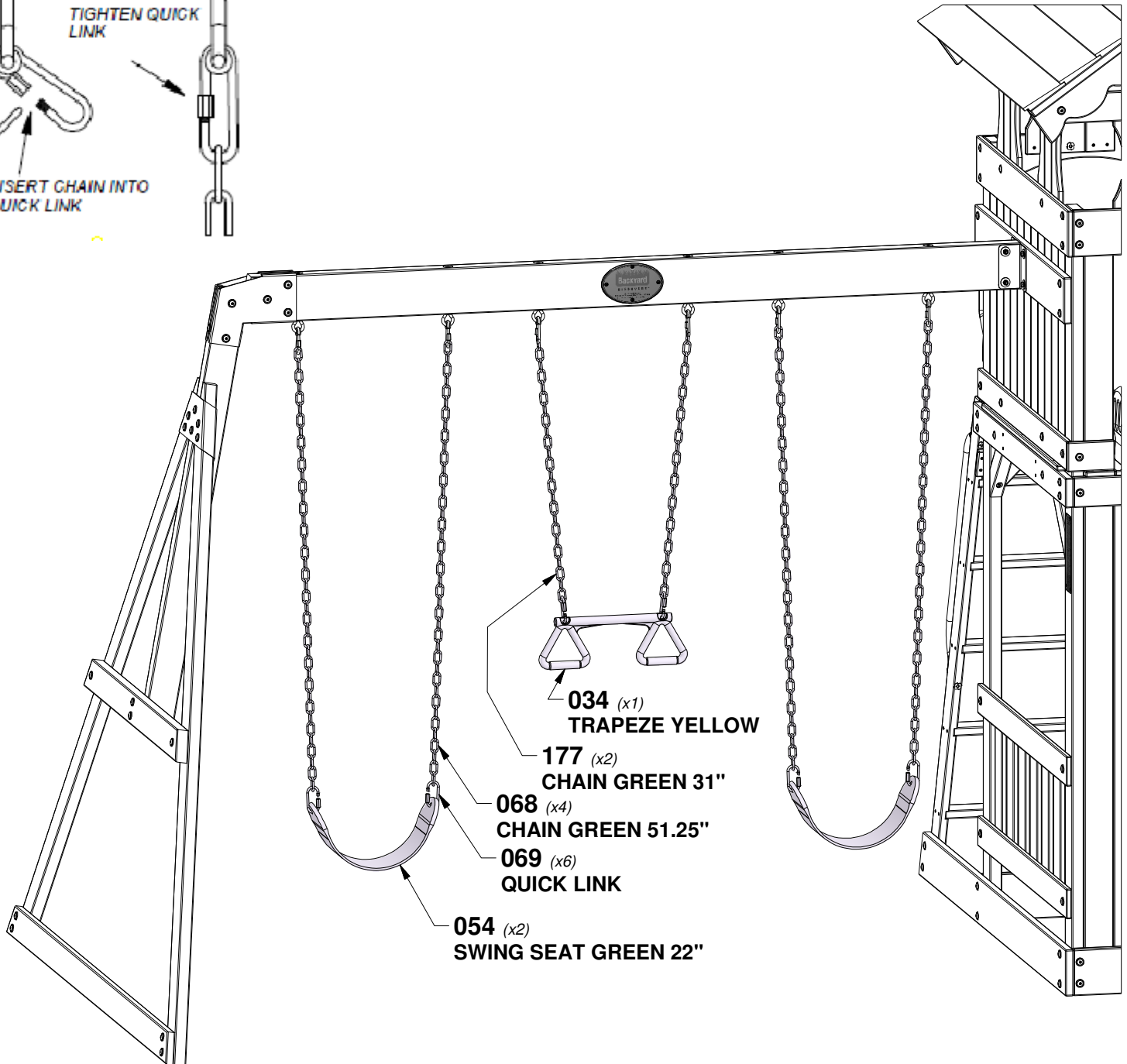
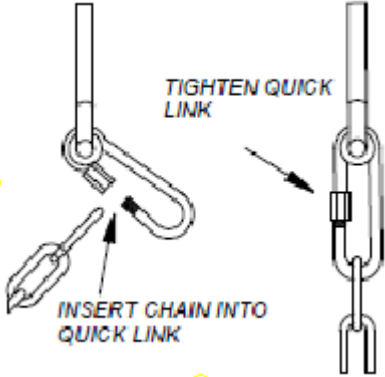
**A6P00034**  
(x1) | **TRAPEZE YELLOW**



**A100068**  
(x4) | **CHAIN GREEN 51.25"**

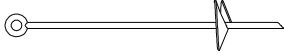


**A100177**  
(x2) | **CHAIN GREEN 31"**



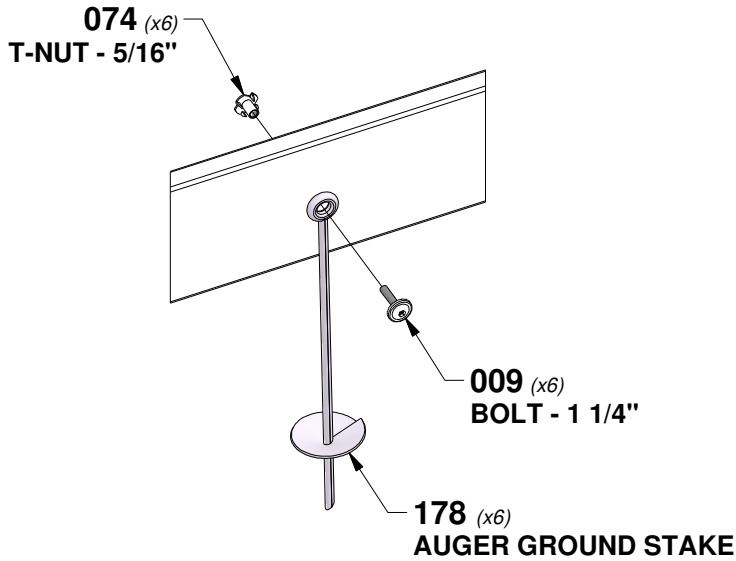
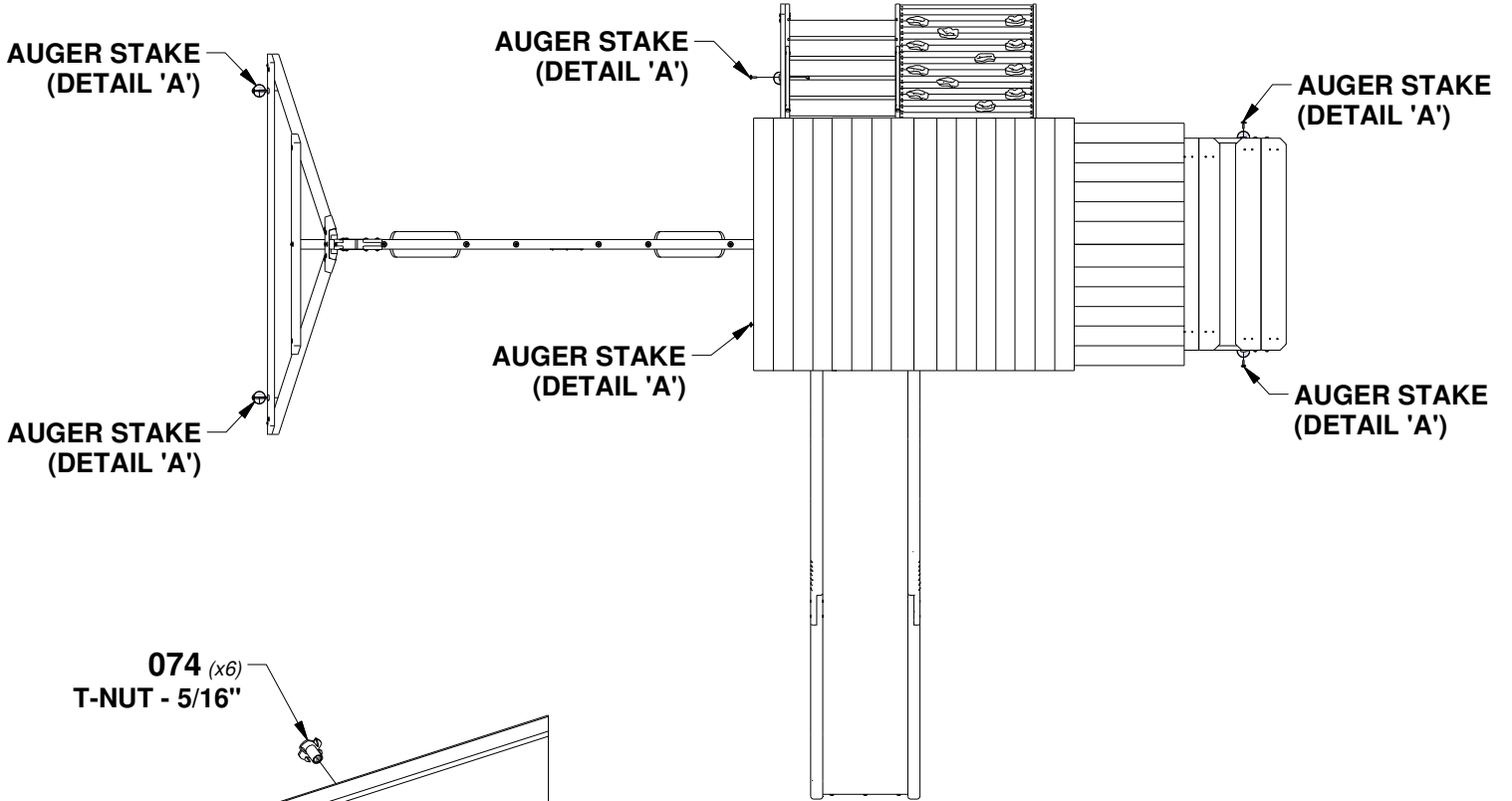
# STEP 4 - FINAL ASSEMBLY

QTY	PART NUMBER	DESCRIPTION
6	H100009	BOLT WH 5/16x1 1/4
6	H100074	T-NUT 5/16



**A100178**  
(x6) | AUGER GROUND STAKE

**TIP:**  
INSTALL T-NUTS IN WOOD FIRST



**DETAIL 'A'**

**TWIST GROUND STAKE INTO GROUND AT LOCATIONS SHOWN. USING AUGER STAKE AS A GUIDE, DRILL A 3/8" [10mm] HOLE FOR HARDWARE.**