



MANUFACTURED BY:  
**Backyard Discovery**  
3305 Airport Drive, Pittsburg, KS 66762  
800-856-4445

Basepoint Business Centre: Rivermead Drive, Westlea, Swindon SN5 7EX Phone: 0800-118-2476  
J.P. Coenstraat 7, The Bridge, The Hague, 2595 WP, Netherlands Phone: 0800-567-8990

# GRAYSON PEAK CLOUD PEAK Swing Set Model # 2106024 & 2101012

The assembly manual must be retained  
since it contains important information



## WARNING

**Adult Assembly Required.**

Not suitable for children under 36 months due to small parts.

**FOR DOMESTIC USE ONLY. INTENDED FOR OUTDOOR USE.**



**Please visit [www.backyarddiscovery.com](http://www.backyarddiscovery.com)**

For the most up to date assembly manual, to register your set, or to order replacement parts  
*Para obtener instrucciones en español, visite [www.backyarddiscovery.com](http://www.backyarddiscovery.com)*



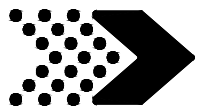
**EASY STEP-BY-STEP  
3D INTERACTIVE INSTRUCTIONS**

DOWNLOAD THE FREE APP



Made in China

INS-2106024-A-GRAYSON PEAK-ENG 10-2-2023  
& INS-2101012-A-CLOUD PEAK-ENG 10-2-2023



Place the set on level ground, not less than 6'-7" [2 m] from any structure or obstruction such as a fence, garage, house, overhanging branches, laundry lines, or electrical wires.

- While assembling unit, take time before and after each phase to make sure fort is level. If fort is not level, assembly will be difficult and improper assembly may result. Extra care must be taken to insure the fort is square.
- The safe play area refers to a zone extending 6'-7" (2m) beyond the play product on all sides, including the space above the play product.

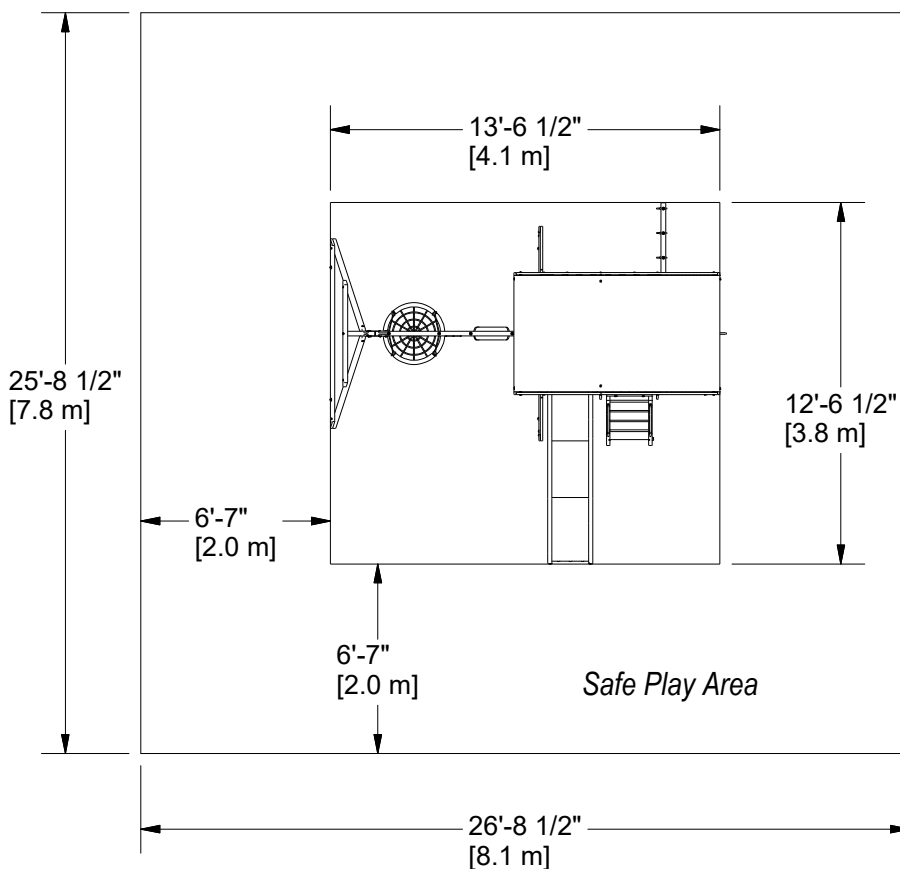
## SAFE PLAY AREA DIAGRAM

### Ground Dimension

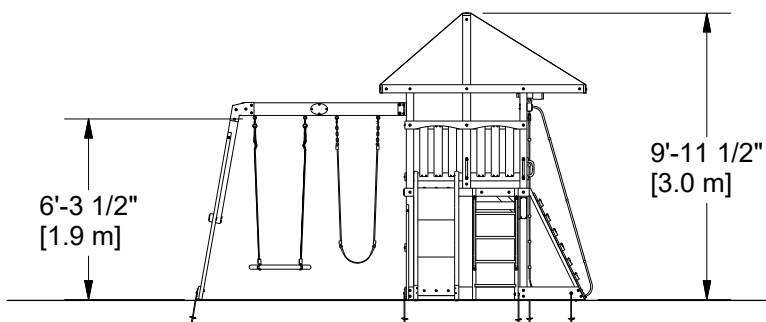
13' - 6 1/2" [4.1m] x 12' - 6 1/2" [3.8m]

### Safe Play Area

25' - 8" [7.8m] x 26' - 8 1/2" [8.1m]



**SAFE PLAY HEIGHT: 16'-6 1/2" [5.0 m]**  
**MAXIMUM FALL HEIGHT: 6'-3 1/2" [1.9 m]**

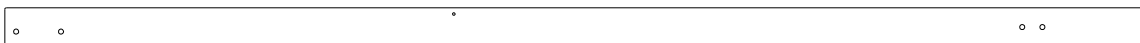


### General Information:

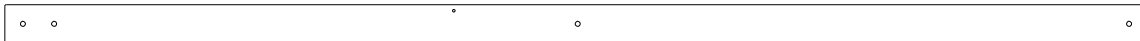
Your set has been designed and engineered for children only and for residential use only.  
 A maximum of 150 lbs. per child is recommended for play activities designed for individual use.  
 A maximum of 120 lbs. per child is recommended for play activities designed for multiple child use.  
 A maximum of 9 children is recommended for this swing set.



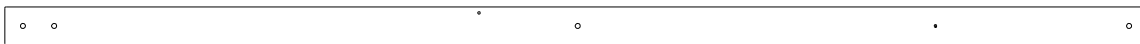
Wood Components (Not to Scale)



**B2** | UPRIGHT POST - W4L13768  
(x1) | 3"x3"x89 1/2" (76x76x2274)



**B3** | UPRIGHT POST - W4L13769  
(x1) | 3"x3"x89 1/2" (76x76x2274)



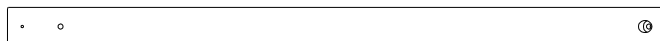
**B4** | UPRIGHT POST - W4L13770  
(x1) | 3"x3"x89 1/2" (76x76x2274)



**E1** | RAIL - W4L13761  
(x1) | 1 3/8"x3"x51 7/8" (36x76x1318)



**E2** | RAIL - W4L13755  
(x1) | 1 3/8"x3"x51 7/8" (36x76x1318)



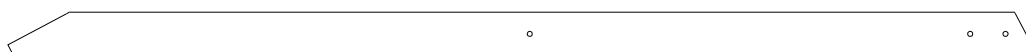
**E3** | RAIL - W4L13762  
(x1) | 1 3/8"x3"x51 7/8" (36x76x1318)



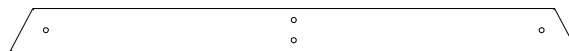
**E74** | LEFT UPRIGHT - W4L13775  
(x1) | 1 3/8"x3 3/8"x50 3/4" (36x86x1290)



**E75** | RIGHT UPRIGHT - W4L13776  
(x1) | 1 3/8"x3 3/8"x50 3/4" (36x86x1290)



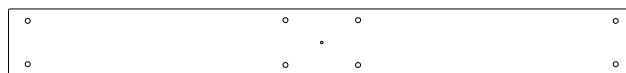
**E77** | ANGLE BRACE - W4L13782  
(x2) | 1 3/8"x3 3/8"x80 1/2" (36x86x2043)



**E79** | END SUPPORT - W4L13783  
(x1) | 1 1/2"x3 1/2"x44 1/2" (36x86x1127)



**G1** | GROUND BOARD - W4L13582  
(x1) | 1"x5 1/4"x79 1/8" (24x134x2010)



**G2** | WALL RAIL - W4L07153  
(x1) | 1"x5 1/4"x48 7/8" (24x134x1243)



**G50** | GROUND BOARD - W4L13784  
(x1) | 1"x5 1/4"x79" (24x134x2006)



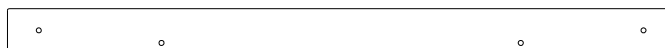
Wood Components (Not to Scale)



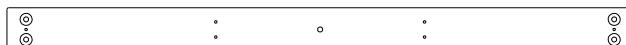
**H1** | ANGLE BRACE - W4L07127  
(x2) | 1"x3 3/8"x44 1/2" (24x86x1129)



**H2** | FLOOR SUPPORT - W4L13772  
(x1) | 1"x3 3/8"x52 1/8" (24x86x1324)



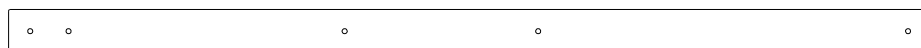
**H3** | FLOOR SUPPORT - W4L13773  
(x1) | 1"x3 3/8"x52 1/8" (24x86x1324)



**H4** | FLOOR SUPPORT - W4L07130  
(x1) | 1"x3 3/8"x48 7/8" (24x86x1243)



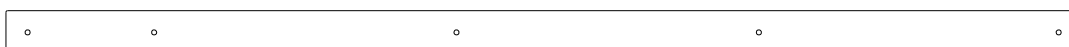
**H5** | FLOOR SUPPORT - W4L07131  
(x1) | 1"x3 3/8"x48 7/8" (24x86x1243)



**H6** | UPRIGHT - W4L13763  
(x1) | 1"x3 3/8"x72" (24x86x1828)



**H7** | UPRIGHT - W4L13764  
(x1) | 1"x3 3/8"x72" (24x86x1828)



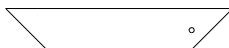
**H8** | ROOF RAIL - W4L13765  
(x2) | 1"x3 3/8"x83 7/8" (24x86x2132)



**H9** | ROOF RAIL - W4L13766  
(x2) | 1"x3 3/8"x50 7/8" (24x86x1291)



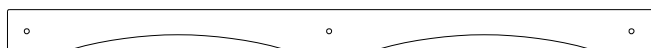
**H10** | ROOF RAIL - W4L13767  
(x1) | 1"x3 3/8"x48 7/8" (24x86x1243)



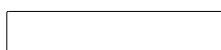
**H11** | DECK BRACE - W4L07296  
(x2) | 1"x3 3/8"x17 3/4" (24x86x450)



**H12** | DECK BRACE - W4L13771  
(x4) | 1"x3 3/8"x15 7/8" (24x86x402)



**H13** | ARCHED RAIL - W4L13774  
(x1) | 1"x3 3/8"x50 7/8" (24x86x1292)



**H81** | LADDER RUNG - W4L13778  
(x4) | 1"x3 3/8"x17 1/8" (24x86x434)



Wood Components (Not to Scale)



**J1 | FLOOR JOIST - W4L07139**  
(x2) | 1"x2 3/8"x50 1/4" (24x60x1275)



**J2 | FLOOR SUPPORT - W4L06710**  
(x4) | 1"x2 3/8"x3" (24x60x76)



**K1 | GROUND BOARD - W4L07122**  
(x1) | 5/8"x5 1/4"x74 1/4" (16x134x1888)



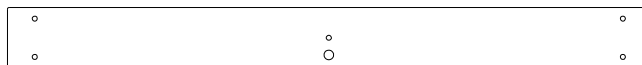
**K2 | GROUND BOARD - W4L07123**  
(x1) | 5/8"x5 1/4"x89 3/8" (16x134x2270)



**K3 | GROUND BOARD - W4L07124**  
(x1) | 5/8"x5 1/4"x50 1/8" (16x134x1274)



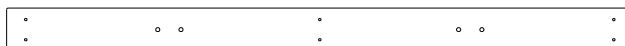
**K4 | GROUND BOARD - W4L13756**  
(x1) | 5/8"x5 1/4"x23 1/8" (16x134x588)



**K5 | GROUND BOARD - W4L13757**  
(x1) | 5/8"x4 3/4"x50 1/4" (16x120x1275)



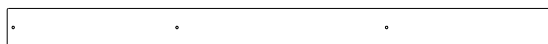
**M1 | ROCK WALL BOARD - W4L13758**  
(x7) | 5/8"x3 3/8"x48 7/8" (16x86x1243)



**M2 | ROCK WALL BOARD - W4L13759**  
(x3) | 5/8"x3 3/8"x48 7/8" (16x86x1243)



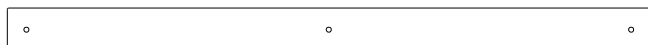
**M3 | ROCK WALL BOARD - W4L13760**  
(x3) | 5/8"x3 3/8"x48 7/8" (16x86x1243)



**M4 | FLOOR BOARD - W4L07141**  
(x2) | 5/8"x3"x42 7/8" (16x76x1090)



**M5 | FLOOR BOARD - W4L07142**  
(x1) | 5/8"x3 3/8"x48 7/8" (16x86x1242)



**M8 | WALL RAIL - W4L07145**  
(x2) | 5/8"x3 3/8"x50 7/8" (16x86x1292)



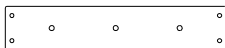
Wood Components (Not to Scale)



**M9 | WALL RAIL - W4L07146**  
(x3) 5/8"x3 3/8"x48 7/8" (16x86x1243)



**M44 | PICKET - W4L07152**  
(x13) 5/8"x3 3/8"x21 3/8" (16x86x542)



**M77 | SLIDE BRACE - W4L08748**  
(x1) 5/8"x3 3/8"x17 1/4" (16x86x438)



**M78 | CENTER SLIDE BRACE - W4L08749**  
(x2) 5/8"x3 3/8"x17 1/4" (16x86x438)



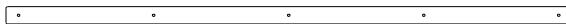
**M102 | ATTACHMENT BOARD - W4L13779**  
(x1) 5/8"x3 3/8"x19" (16x86x482)



**M103 | REAR SUPPORT - W4L13777**  
(x1) 5/8"x3 3/8"x19" (16x86x482)



**SB74 | SWING BEAM 2 POSITION - W4L13780**  
(x1) 2"x5 1/4"x68 3/4" (50x134x1745)



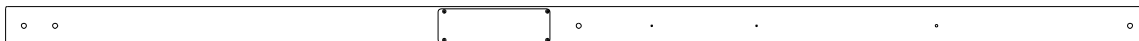
**T1 | SUPPORT BOARD - W4L07140**  
(x2) 1"x1 3/8"x44 1/8" (24x34x1122)



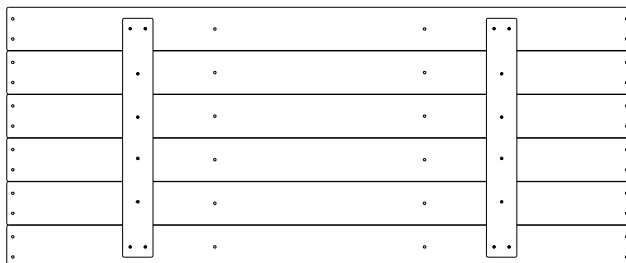
**W1 | SUPPORT BOARD - W4L07156**  
(x1) 2"x3 3/8"x78 7/8" (50x86x2005)



**W71 | SWING BEAM SUPPORT - W4L13781**  
(x1) 2"x3 3/8"x49 3/8" (50x86x1254)



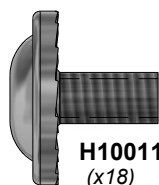
**B1 | UPRIGHT POST ASSEMBLY - W2A02851**  
(x1) 3"x3"x89 1/2" (76x76x2274)



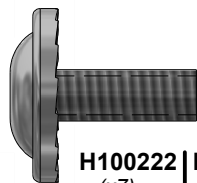
**FP1 | FLOOR PANEL - W2A02850**  
(x2) 1 1/4"x20 3/8"x48 5/8" (32x519x1242)



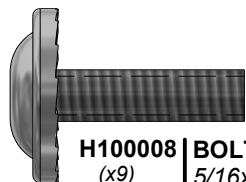
Hardware Components



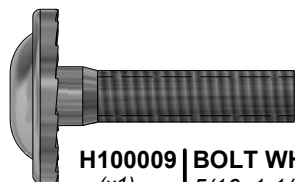
H100115 | BOLT WH  
(x18) | 5/16x1/2



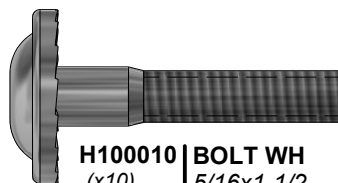
H100222 | BOLT WH  
(x7) | 5/16x3/4



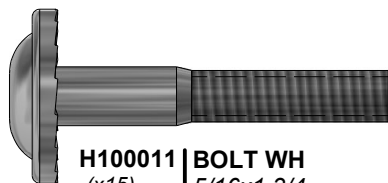
H100008 | BOLT WH  
(x9) | 5/16x1



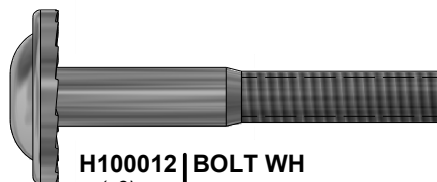
H100009 | BOLT WH  
(x1) | 5/16x1 1/4



H100010 | BOLT WH  
(x10) | 5/16x1-1/2



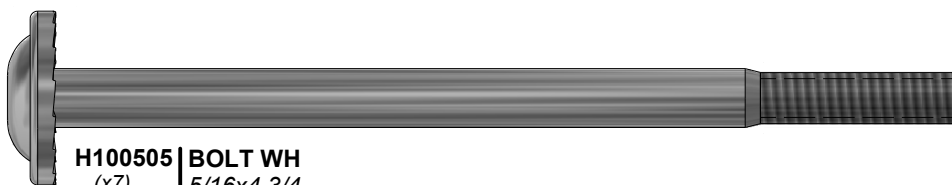
H100011 | BOLT WH  
(x15) | 5/16x1 3/4



H100012 | BOLT WH  
(x3) | 5/16x2



H100047 | BOLT HEX  
(x2) | 5/16x2 3/4



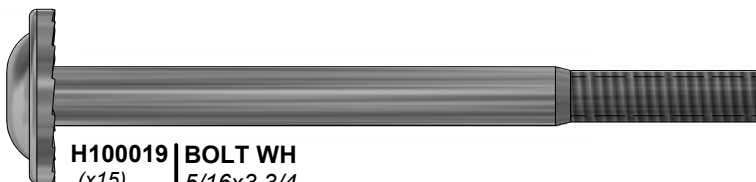
H100505 | BOLT WH  
(x7) | 5/16x4 3/4



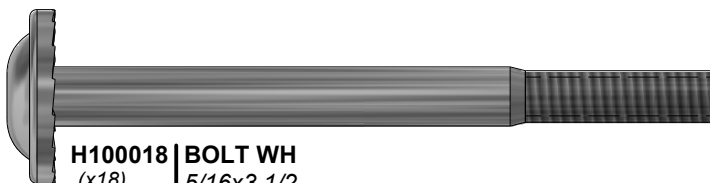
H100021 | BOLT WH  
(x1) | 5/16x4 1/2



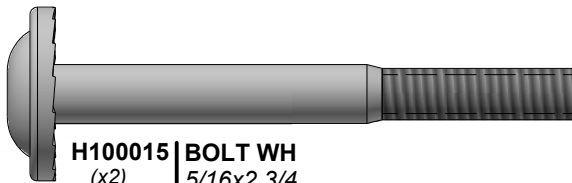
H100020 | BOLT WH  
(x2) | 5/16x4



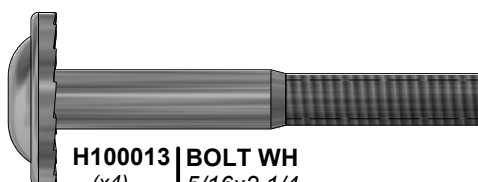
H100019 | BOLT WH  
(x15) | 5/16x3 3/4



H100018 | BOLT WH  
(x18) | 5/16x3 1/2



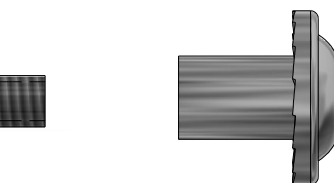
H100015 | BOLT WH  
(x2) | 5/16x2 3/4



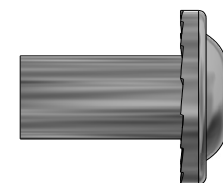
H100013 | BOLT WH  
(x4) | 5/16x2 1/4



H100042 | BOLT HEX  
(x4) | 5/16x1 1/4



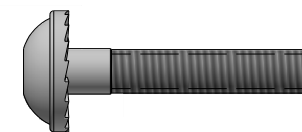
H100004 | NUT BARREL WH  
(x9) | 5/16 x 5/8



H100005 | NUT BARREL WH  
(x17) | 5/16x7/8



H100831 | NUT BARREL PTH BLK  
(x4) | 1/4x3/4



H100142 | BOLT WH  
(x2) | 1/4x1-1/4



## Hardware Components



**H100088 | SCREW PFH**  
(x56) | 8x1 1/8



**H100087 | SCREW PFH**  
(x2) | 8x1 1/4



**H100086 | SCREW PFH**  
(x176) | 8x1 1/2



**H100089 | SCREW PFH**  
(x19) | 8x1 3/4



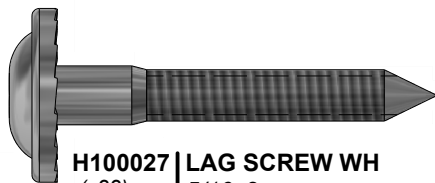
**H100111 | SCREW PFH**  
(x17) | 8x2



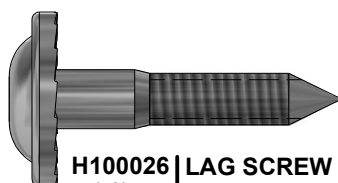
**H100090 | SCREW PFH**  
(x35) | 8x2 1/2"



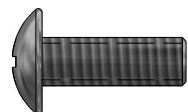
**H100028 | LAG SCREW WH**  
(x7) | 5/16x2 1/2



**H100027 | LAG SCREW WH**  
(x22) | 5/16x2



**H100026 | LAG SCREW WH**  
(x2) | 5/16x1 1/2



**H100063 | BOLT PTH**  
(x20) | 1/4x3/4



**H100832 | BOLT PTH BLK (with LOCTITE)**  
(x4) | 1/4x3/4



**H100145 | LAG SCREW WH**  
(x7) | 1/4x1 1/2



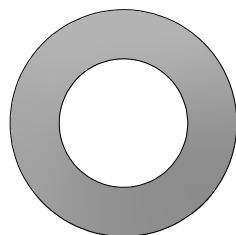
**H100146 | LAG SCREW WH**  
(x9) | 1/4x2



**H100128 | SCREW PWH**  
(x2) | 8x5/8



**H100070 | SCREW PWH**  
(x19) | 8x3/4



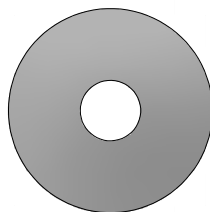
**H100103 | WASHER SAFETY**  
(x8) | 17x30



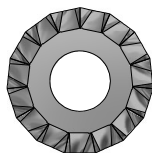
**H100031 | WASHER LOCK EXT**  
(x19) | 12x19



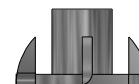
**H100110 | NUT LOCK**  
(x10) | 5/16



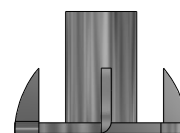
**H100105 | WASHER FLAT**  
(x16) | 8x27



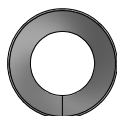
**H100030 | WASHER LOCK EXT**  
(x92) | 8x19



**H100072 | T-NUT**  
(x22) | 1/4



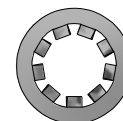
**H100074 | T-NUT**  
(x85) | 5/16



**H100095 | WASHER SPLIT**  
(x4) | 5/16

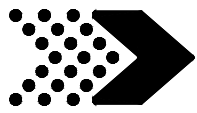


**H100138 | WASHER LOCK EXT**  
(x17) | 6x15

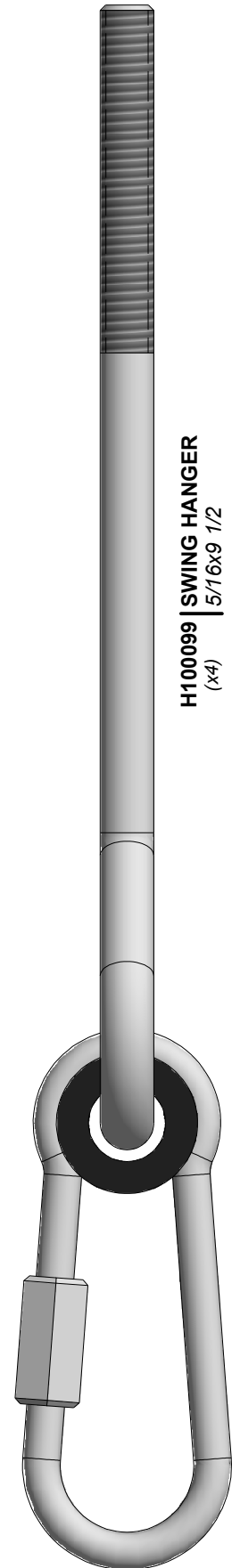
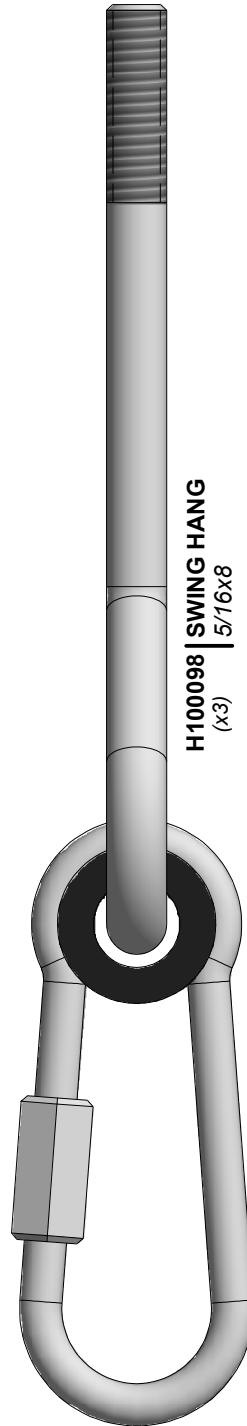
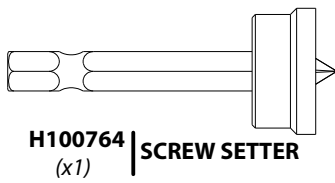
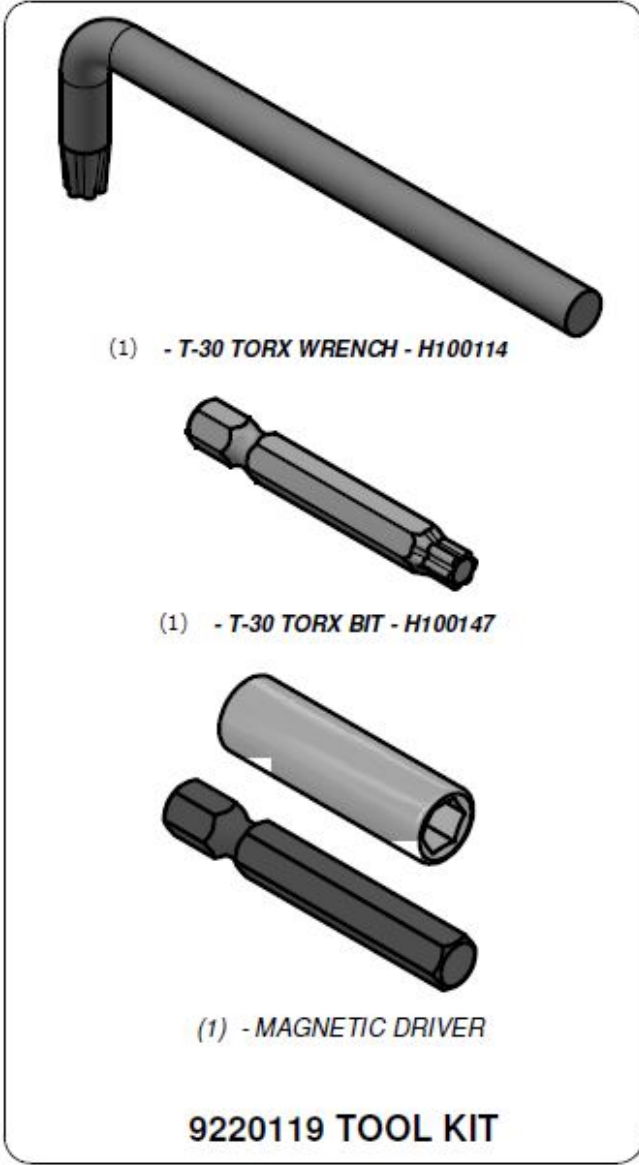


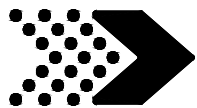
**H100108 | WASHER LOCK INT**  
(x19) | 8x15





Hardware Components





Accessory Components (Not to Scale)



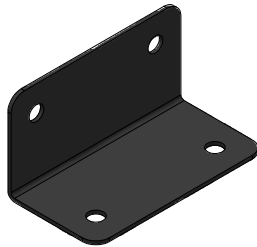
A100028 | HAND GRIP GREEN PLASTIC  
(x4)



A100134 | HAND GRIP GREEN 816 C/C  
(x2)



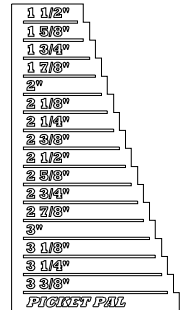
A100107 | STEERING WHEEL  
(x1)



A100140 | L BRACKET 66x66x127  
(x3)



A100164 | BYD ID TAG (LARGE) AGES 3-10  
(x1)



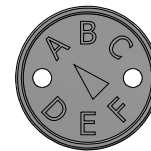
A6P00410 | PICKET PAL  
(x1)



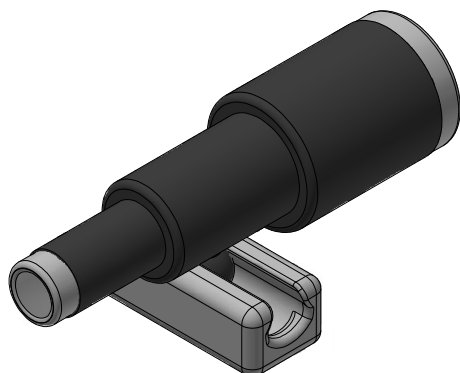
A4M01046 | L BRACKET 2.5x38x55x55  
(x8)



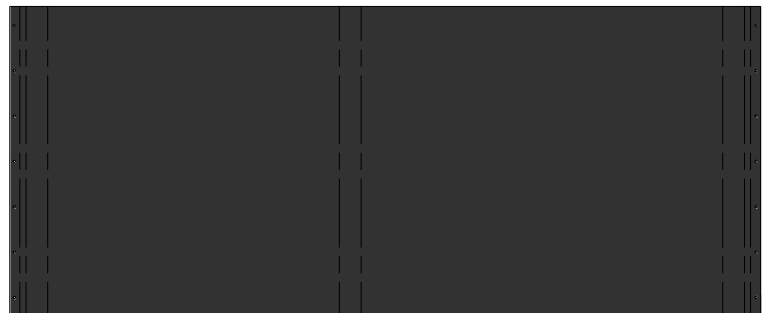
A6P00037 | GREEN HC ROCK #2  
(x9)



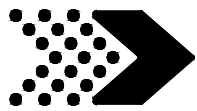
A100314 | "A" REVISION TAG  
(x1)



A6P00096 | TELESCOPE  
(x1)



A6P00157 | TARP  
(x1)



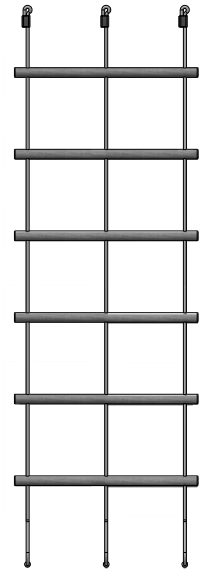
Accessory Components (Not to Scale)



A100054 (x1) | SLIDE RAIL 8' GREEN RIGHT



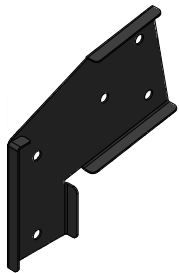
A100055 (x1) | SLIDE RAIL 8' GREEN LEFT



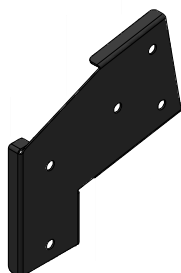
A6P00161 (x1) | ROPE LADDER



A6P00386 (x1) | SLIDE BED 8' DARK GREEN



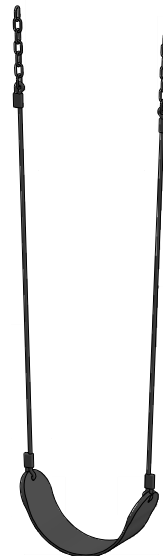
A100325 (x1) | SWING BEAM EXTENSION BRACKET-LEFT



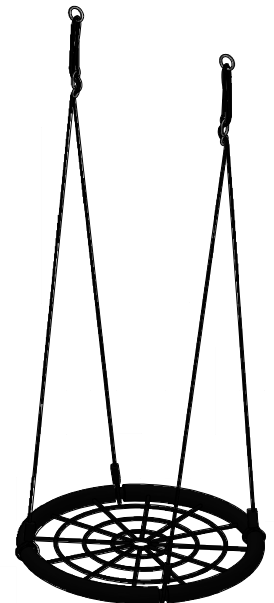
A100326 (x1) | SWING BEAM EXTENSION BRACKET-RIGHT



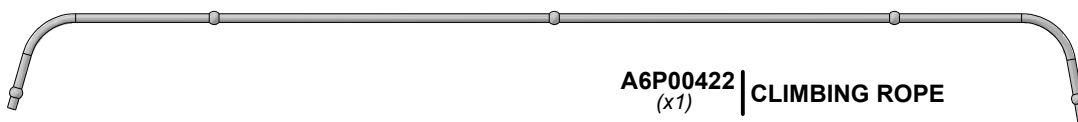
A100178 (x7) | AUGER GROUND STAKE



A6P00397 (x1) | ROPE-CHAIN GR / SEAT GR 22"



A4M01126 (x1) | 26" WEB SWING



A6P00422 (x1) | CLIMBING ROPE



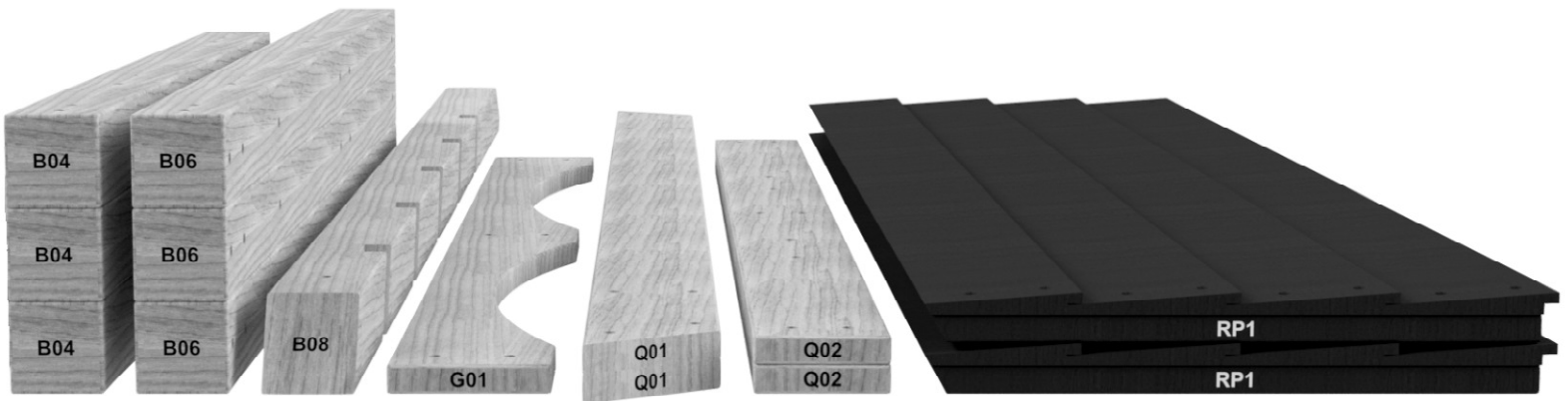
It is critical for ease of assembly that you take the time to sort and organize the wood and hardware.

---

**WOOD PARTS:**

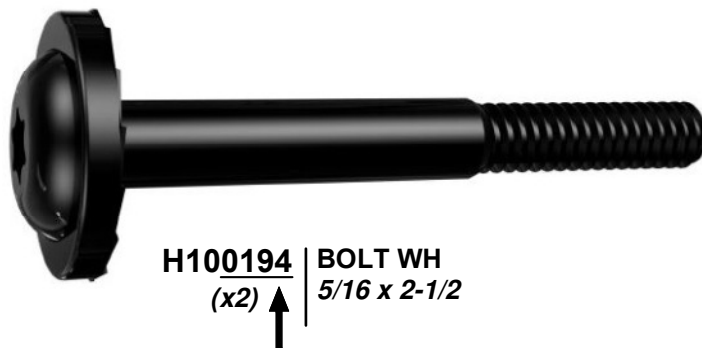
- Organize wood parts by the three-digit, alpha-numeric number stamped on each board (ex. P01).
- If there are multiple boards with the same stamped number, stack those pieces together.
- Stamps can be found on the flat surface of the boards or on the end of the boards.
- Allow yourself plenty of room - the wood pieces can take up a significant amount of space.

**NOTE: CARTONS ARE NOT ORGANIZED BY BOARD NUMBER.**



**HARDWARE PARTS:**

- We recommend that you have a separate table to organize the hardware.
- Hardware bags are printed with a seven-digit, alpha-numeric part number.
- You can organize your hardware by part number or group by hardware type (i.e. bolts, nuts, etc.).
- During assembly you only need to reference the last four digits of the number.





## PRE-ASSEMBLY

## STEP 2 - TOOLS REQUIRED



Cordless Drill or  
Electric Drill



Drill Attachments:  
Phillips Head



1/8", 3/16", 3/8" & 7/16"  
Drill Bits



Phillips Screw Driver



Open End Wrenches 1/2" & 9/16"



3/8" Drive Ratchet, 1/2" &  
9/16" STD Sockets 1/2" & 9/16"  
Deep Sockets



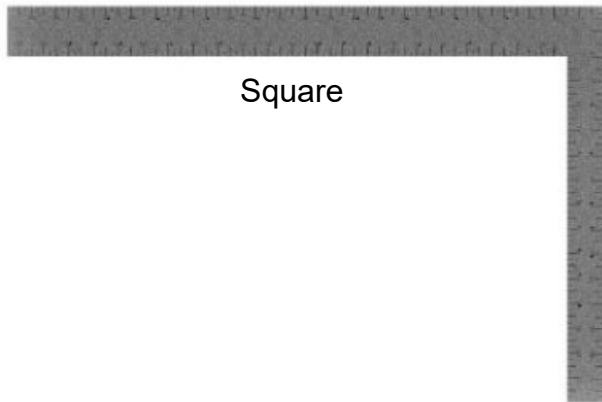
Claw Hammer



Rubber Mallet - Optional



Tape Measure



Square



Level 24"



There are several types of assembly instructions available to you.

1. Printed Assembly Manual included with your set
2. BILT APP - 3D interactive instructions
3. Combination of the Printed Manual and BILT APP (Note: Step numbers can differ between the two methods)

**BILT.**

Scan for easy  
**3D instructions**

Download the BILT app  
before you begin

Download on the  
App Store

GET IT ON  
Google Play



# SLIDE ASSEMBLY

# STEP 1



**A6P00386** | SLIDE BED 8' DARK GREEN  
(x1)



**M77** | SLIDE BRACE - W4L08748  
(x1) | 5/8"x3 3/8"x17 1/4" (16x86x438)

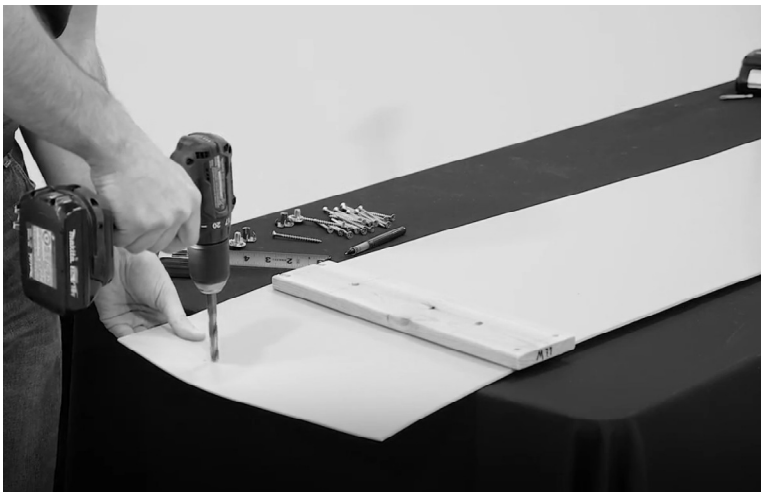
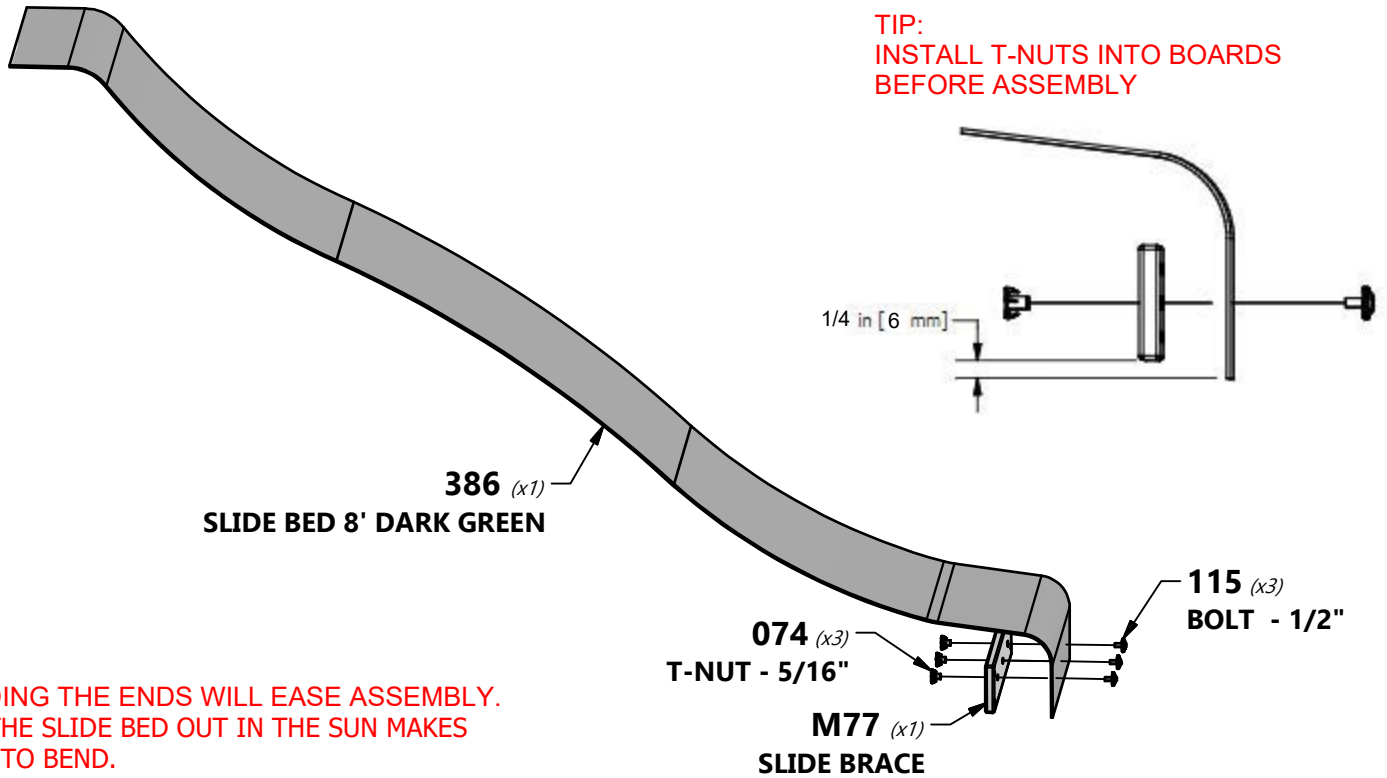


**H100115** | BOLT WH  
(x3) | 5/16x1/2



**H100074** | T-NUT  
(x3) | 5/16

**NOTE:** TAKE NOTE OF SLIDE BED SURFACE FINISH, THE DULL SIDE WILL BE TOWARDS THE GROUND. PLACE SLIDE BRACE CENTERED ON THE BOTTOM (DULL SIDE) AND 1/4" FROM THE EDGE. USE M77 BOARD AS A TEMPLATE FOR DRILLING BOTTOM HOLE PATTERN IN SLIDE BED. USE A 5/16" DRILL BIT.





# SLIDE ASSEMBLY

# STEP 2



**M78** | CENTER SLIDE BRACE - W4L08749  
(x2) | 5/8"x3 3/8"x17 1/4" (16x86x438)



**A100054** | SLIDE RAIL 8' GREEN RIGHT  
(x1)



**A100055** | SLIDE RAIL 8' GREEN LEFT  
(x1)



**H100090** | SCREW PFH  
(x24) | 8x2-1/2

**NOTE:**

PLACE THE SLIDE RAIL ON FLAT SURFACE. STARTING AT THE BOTTOM, INSERT THE SLIDE BED INTO THE CHANNEL ON THE INSIDE OF THE RAIL. HOLD THE SLIDE BED IN PLACE WHILE A HELPER BENDS THE SLIDE BED INTO THE CHANNEL. MAKE SURE THE SLIDE BED IS COMPLETELY INSERTED INTO THE CHANNEL.

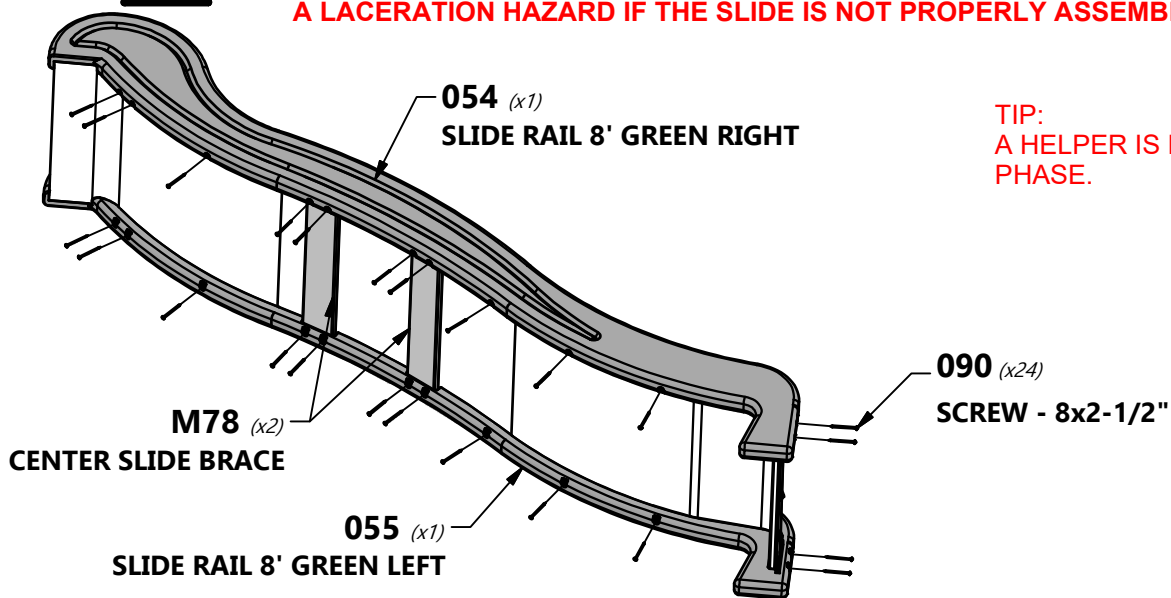
INSERT THE TWO CENTER SLIDE BRACES INTO THEIR RESPECTIVE LOCATIONS. SECURE THE SLIDE BED AND CENTER USING THE PROVIDED HARDWARE.

USING A 1/8" DRILL BIT, DRILL PILOT HOLES IN EACH INDENTATION ALONG EACH SIDE RAIL. THERE SHOULD BE 12 INDENTIONS ON EACH RAIL.

**REPEAT THIS PROCESS FOR THE OPPOSITE SLIDE RAIL.**



**FAILURE TO INSERT SLIDE BED PROPERLY MAY RESULT IN INJURY OR AMPUTATION. EXPOSED SLIDE EDGES CAN BE SHARP AND BECOME A LACERATION HAZARD IF THE SLIDE IS NOT PROPERLY ASSEMBLED.**



**TIP:**  
A HELPER IS REQUIRED FOR THIS PHASE.







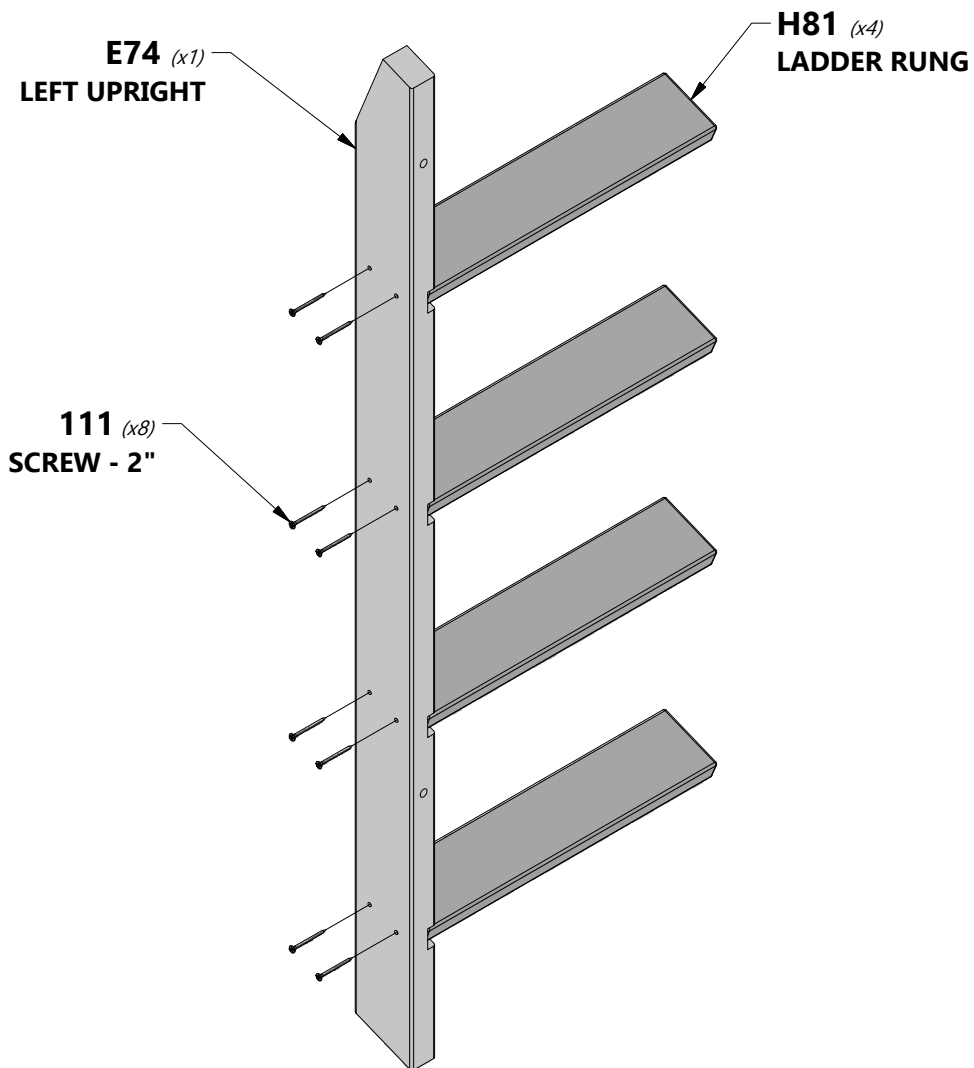
**E74** | LEFT UPRIGHT - W4L13775  
(x1) | 1 3/8"x3 3/8"x50 3/4" (36x86x1290)

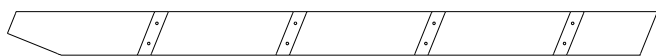


**H81** | LADDER RUNG - W4L13778  
(x4) | 1"x3 3/8"x17 1/8" (24x86x434)



**H100111** | SCREW PFH  
(x8) | 8x2

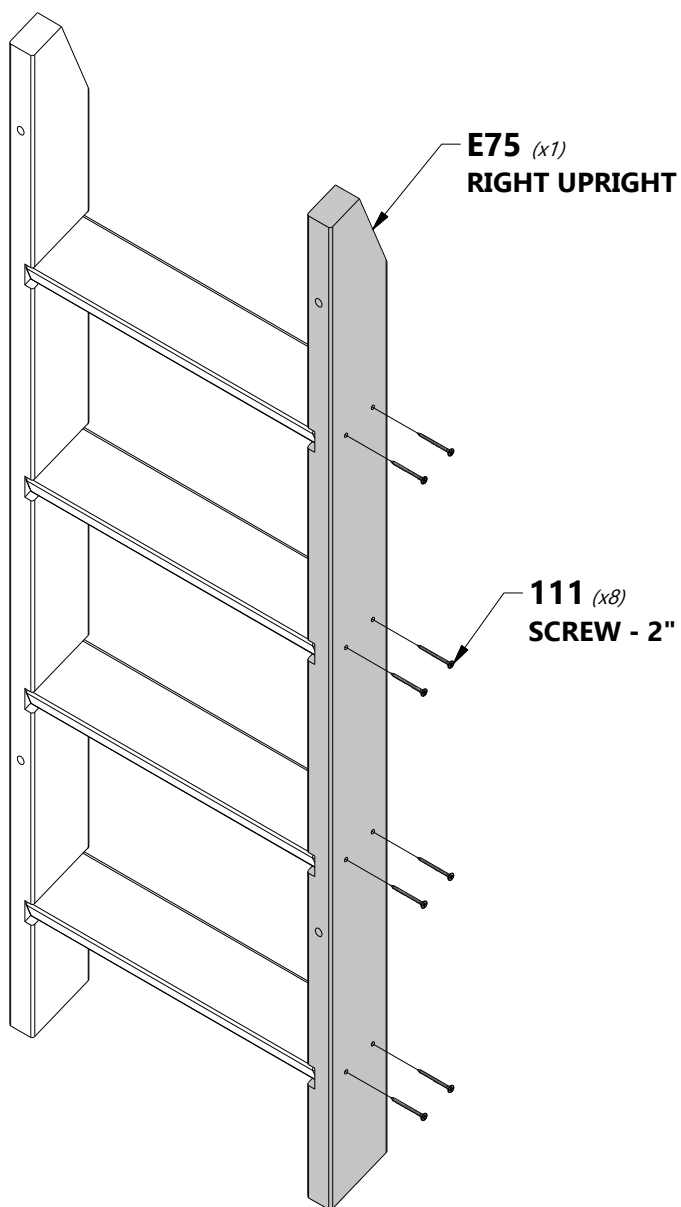




**E75** | **RIGHT UPRIGHT - W4L13776**  
(x1) | 1 3/8"x3 3/8"x50 3/4" (36x86x1290)



**H100111** | **SCREW PFH**  
(x8) | 8x2





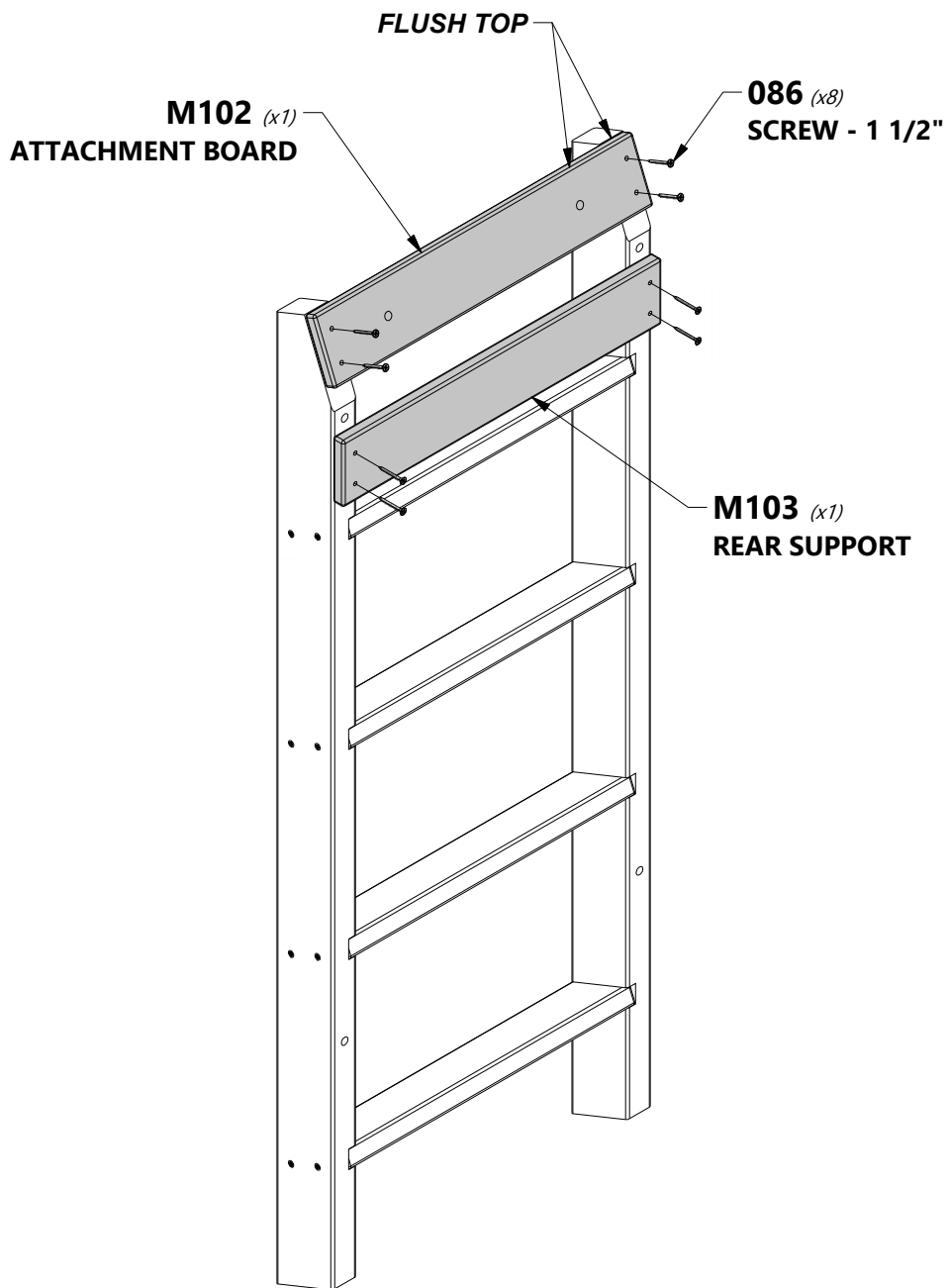
**M103** REAR SUPPORT - W4L13777  
(x1) 5/8"x3 3/8"x19" (16x86x482)

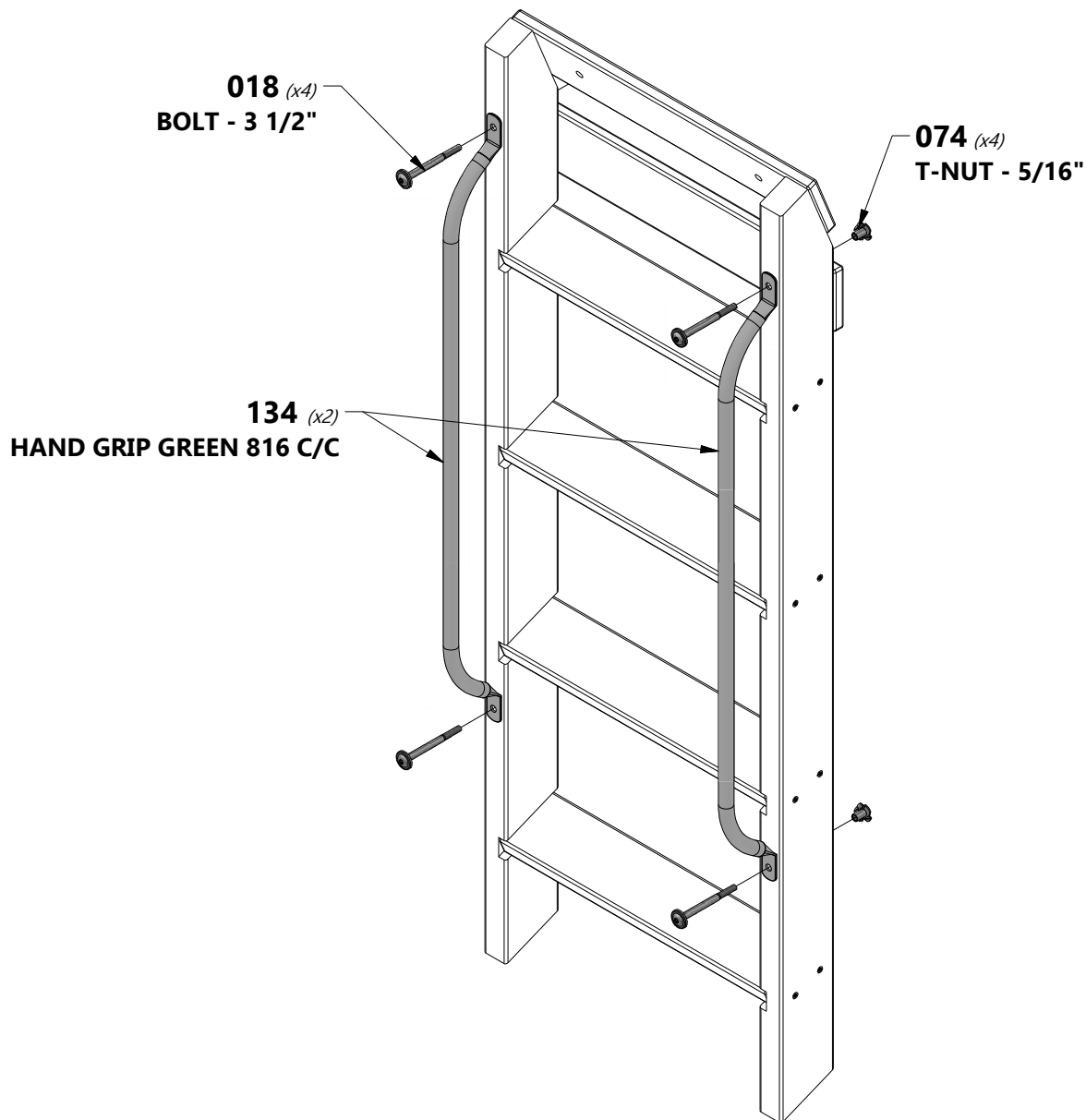
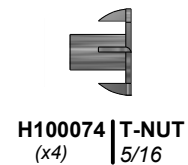
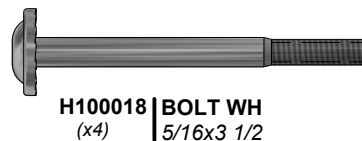


**M102** ATTACHMENT BOARD - W4L13779  
(x1) 5/8"x3 3/8"x19" (16x86x482)



**H100086** SCREW PFH  
(x8) 8x1 1/2

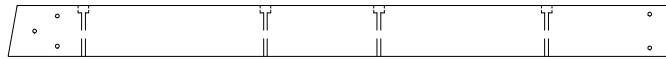




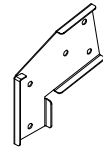


# SWING BEAM

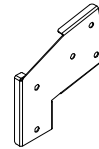
# STEP 1



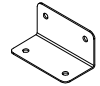
**SB74** | SWING BEAM 2 POSITION - W4L13780  
(x1) | 2"x5 1/4"x68 3/4" (50x134x1745)



**A100325** | SWING BEAM  
EXTENSION  
BRACKET-LEFT  
(x1)



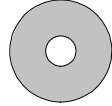
**A100326** | SWING BEAM  
EXTENSION  
BRACKET-RIGHT  
(x1)



**A100140** | L BRACKET  
(x2) | 66x66x127



**H100047** | BOLT HEX  
(x2) | 5/16x2 3/4



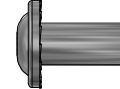
**H100105** | WASHER FLAT  
(x4) | 8x27



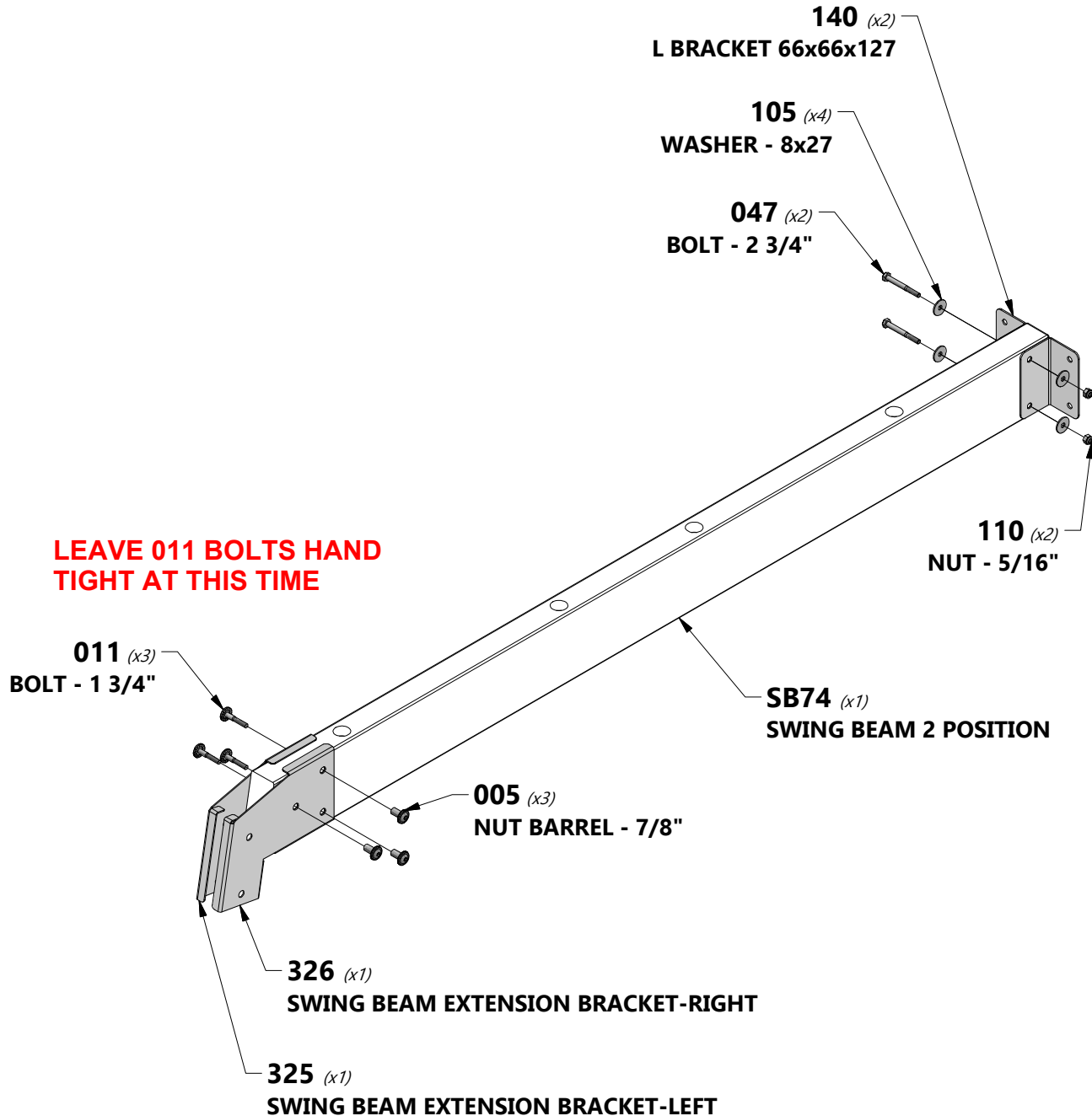
**H100110** | NUT LOCK  
(x2) | 5/16



**H100011** | BOLT WH  
(x3) | 5/16x1 3/4



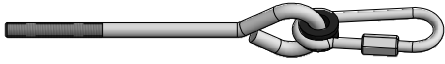
**H100005** | NUT BARREL WH  
(x3) | 5/16x7/8



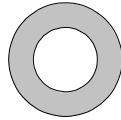


# SWING BEAM

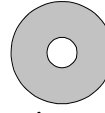
# STEP 2



**H100099 | SWING HANGER**  
(x4) | 5/16x9 1/2



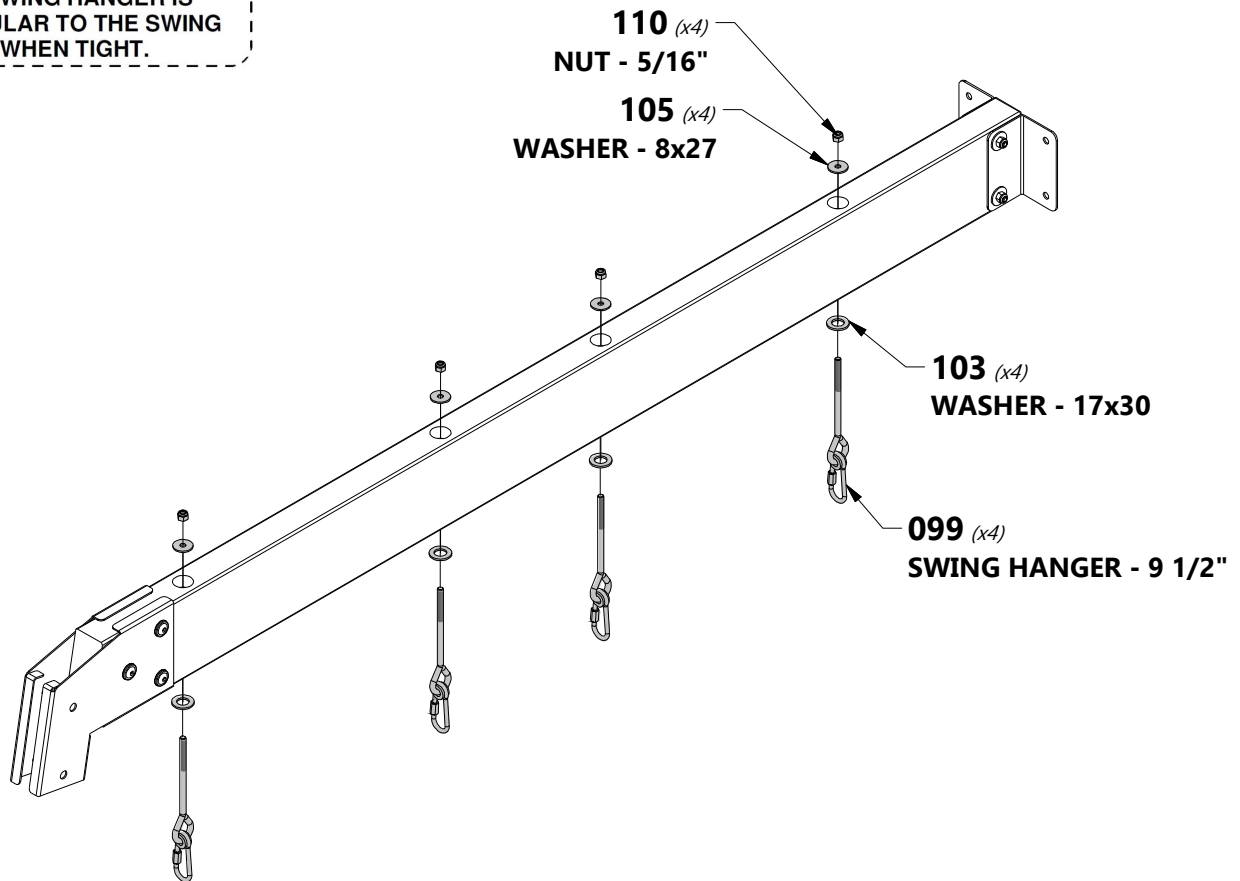
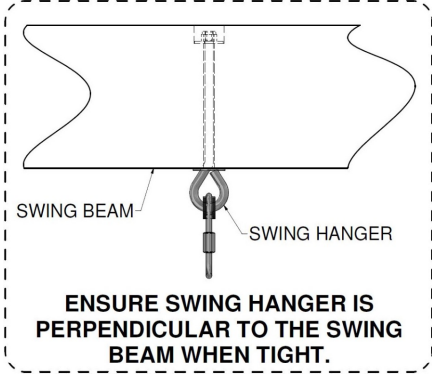
**H100103 | WASHER SAFETY**  
(x4) | 17x30



**H100105 | WASHER FLAT**  
(x4) | 8x27



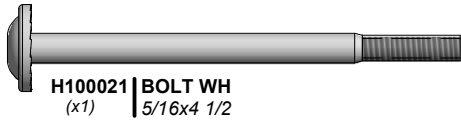
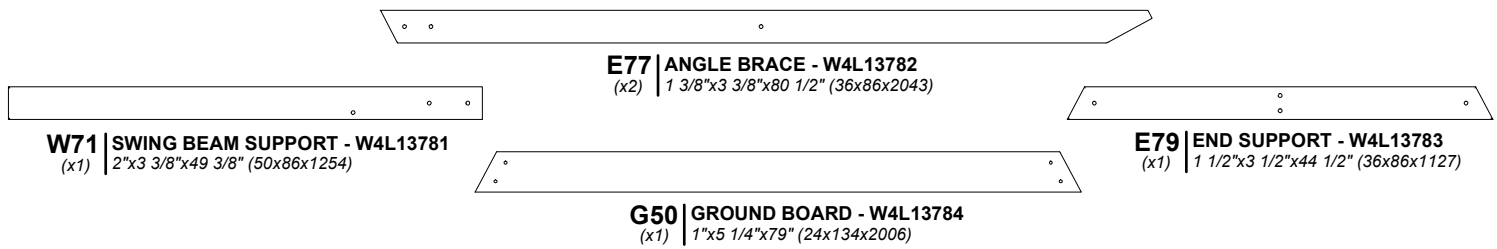
**H100110 | NUT LOCK**  
(x4) | 5/16



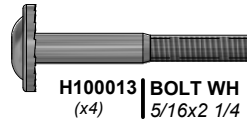


# SWING BEAM

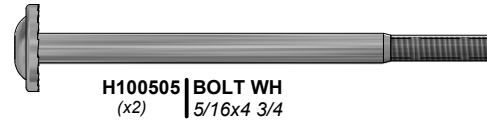
# STEP 3



**H100021** | BOLT WH  
(x1) | 5/16x4 1/2



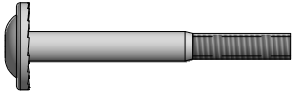
**H100013** | BOLT WH  
(x4) | 5/16x2 1/4



**H100505** | BOLT WH  
(x2) | 5/16x4 3/4



**H100074** | T-NUT  
(x8) | 5/16



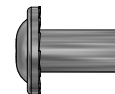
**H100015** | BOLT WH  
(x2) | 5/16x2 3/4



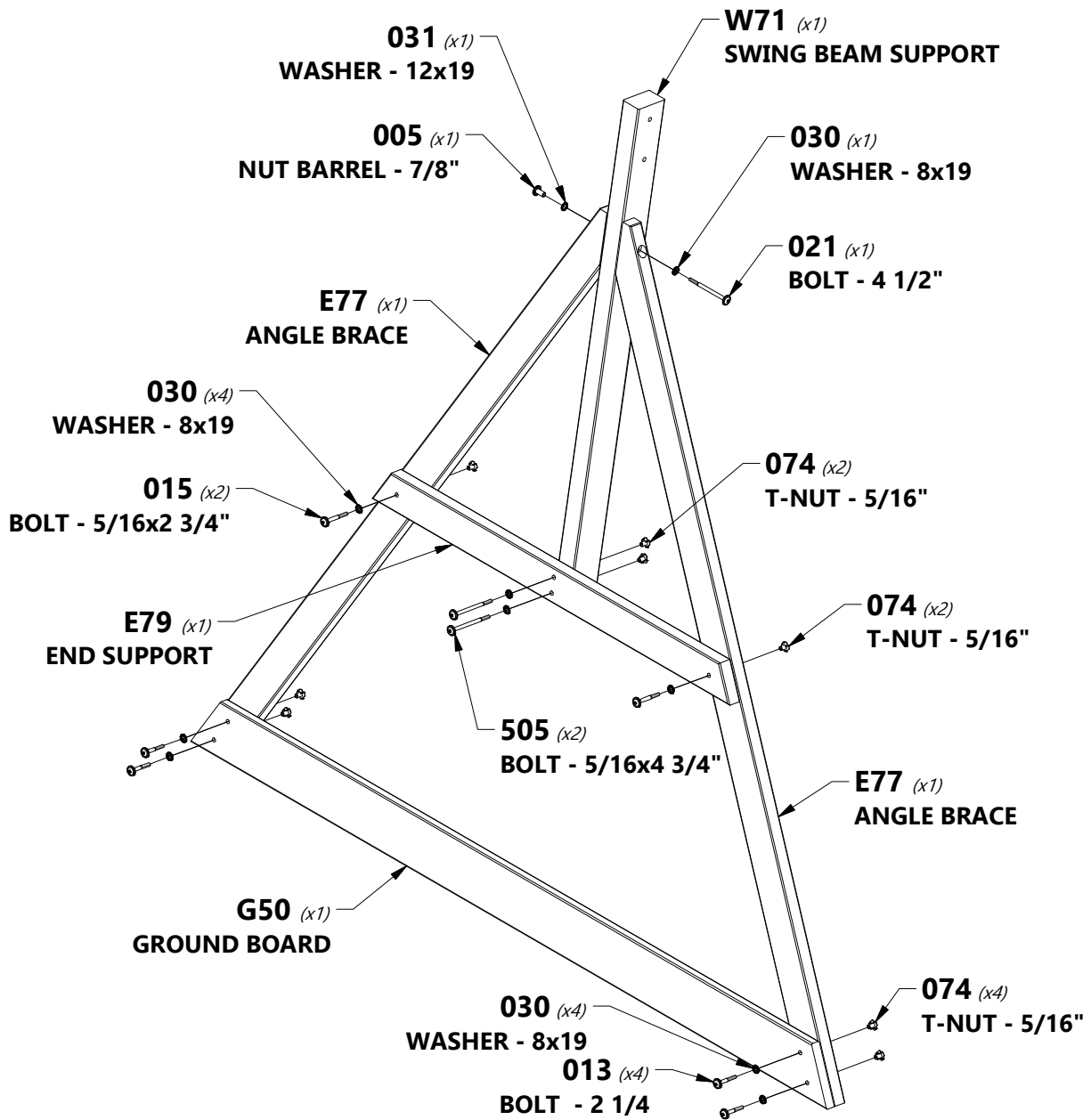
**H100031** | WASHER LOCK EXT  
(x1) | 12x19



**H100030** | WASHER LOCK EXT  
(x9) | 8x19



**H100005** | NUT BARREL WH  
(x1) | 5/16x7/8





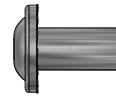
# SWING BEAM

# STEP 4

SWING BEAM SUB ASSEMBLY  
(FROM STEP 2)

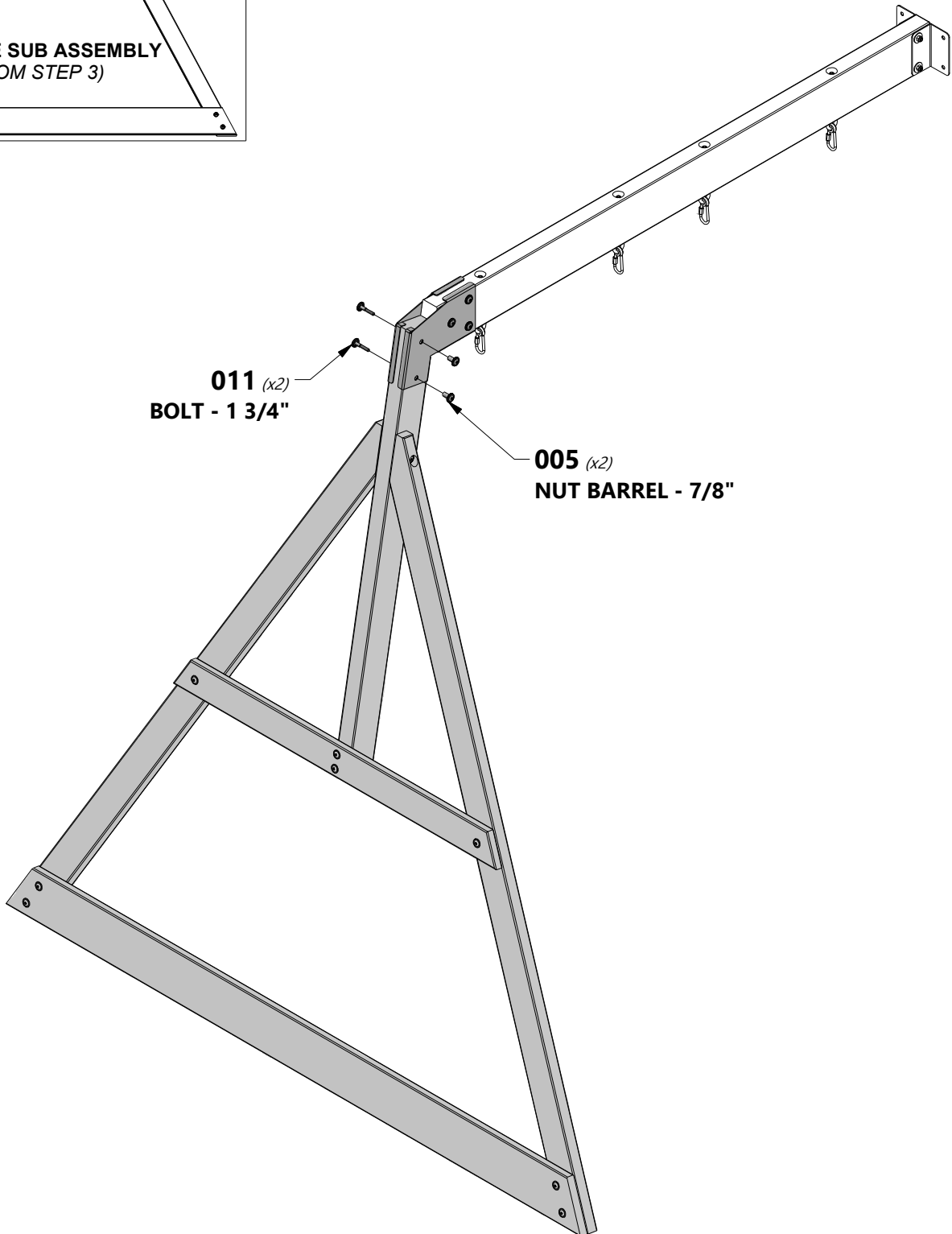


H100011 | BOLT WH  
(x2) | 5/16x1 3/4



H100005 | NUT BARREL WH  
(x2) | 5/16x7/8

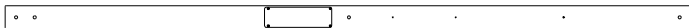
'A' FRAME SUB ASSEMBLY  
(FROM STEP 3)



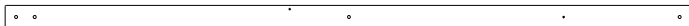
011 (x2)  
BOLT - 1 3/4"

005 (x2)  
NUT BARREL - 7/8"





**B1** | UPRIGHT POST ASSEMBLY - W2A02851  
(x1) | 3"x3"x89 1/2" (76x76x2274)



**B4** | UPRIGHT POST - W4L13770  
(x1) | 3"x3"x89 1/2" (76x76x2274)



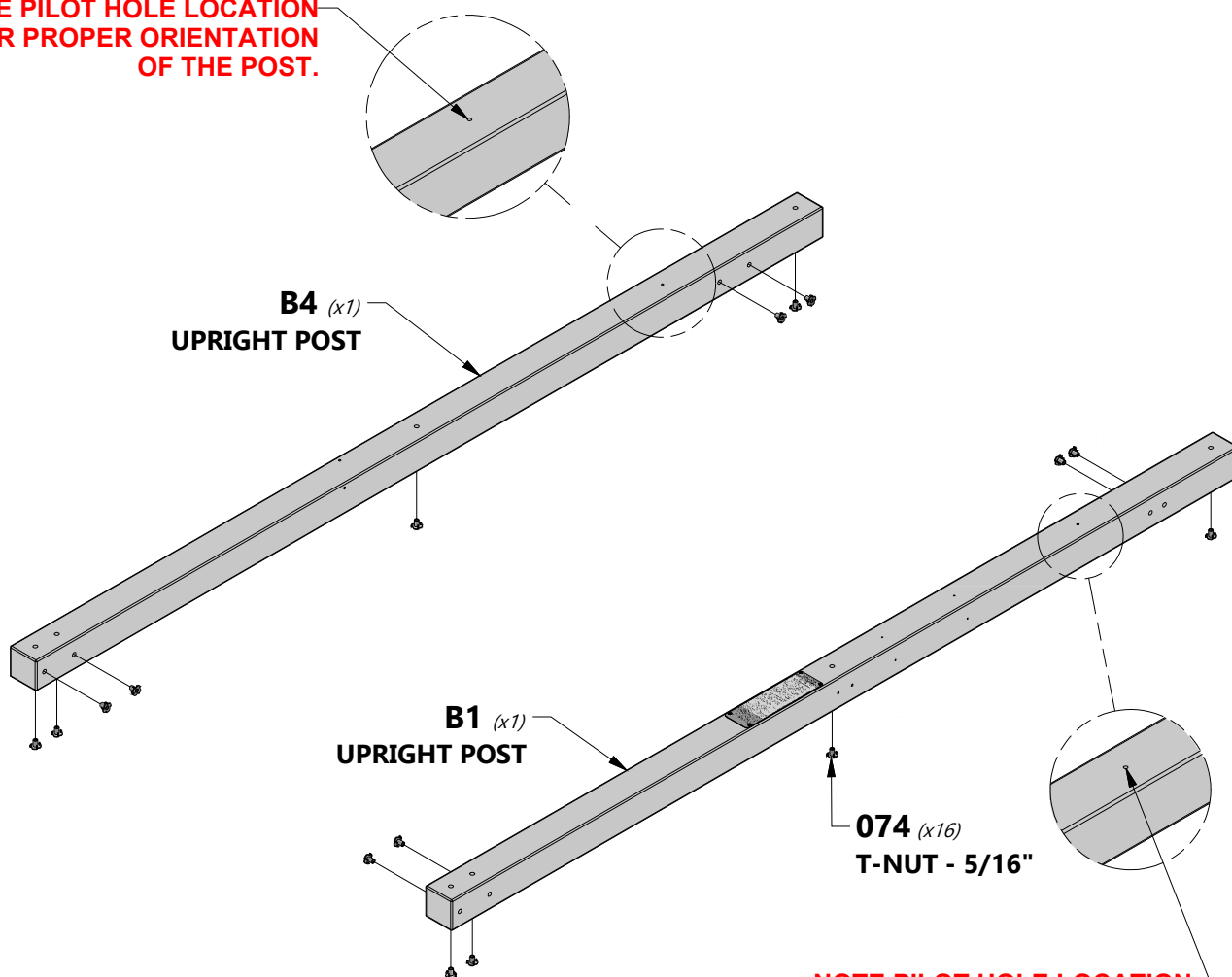
**H100074** | T-NUT  
(x16) | 5/16



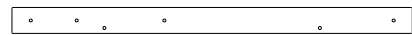
**TIP:**

1. FOR EASE OF ASSEMBLY WE RECOMMEND USING SAW HORSES TO ASSEMBLE FORT WALLS.
2. WE RECOMMEND INSTALLING T-NUTS INTO BOARDS BEFORE ASSEMBLY.

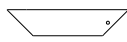
**NOTE PILOT HOLE LOCATION FOR PROPER ORIENTATION OF THE POST.**



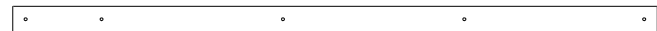
**NOTE PILOT HOLE LOCATION FOR PROPER ORIENTATION OF THE POST.**



**H2** | FLOOR SUPPORT - W4L13772  
(x1) | 1"x3 3/8"x52 1/8" (24x86x1324)



**H12** | DECK BRACE - W4L13771  
(x2) | 1"x3 3/8"x15 7/8" (24x86x402)



**H8** | ROOF RAIL - W4L13765  
(x1) | 1"x3 3/8"x83 7/8" (24x86x2132)

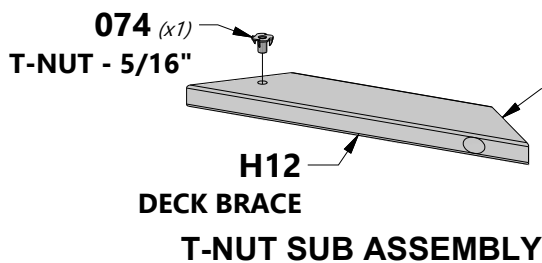


**H13** | ARCHED RAIL - W4L13774  
(x1) | 1"x3 3/8"x50 7/8" (24x86x1292)

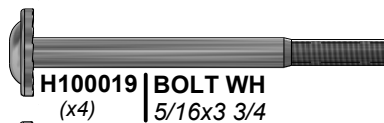


**K1** | GROUND BOARD - W4L07122  
(x1) | 5/8"x5 1/4"x74 1/4" (16x134x1888)

ASSEMBLE T-NUT INTO ONLY (1) H12 DECK BRACE.



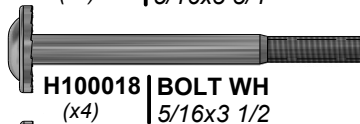
**TIP:**  
INSTALL T-NUTS IN WOOD FIRST



**H100019** | BOLT WH  
(x4) | 5/16x3 3/4



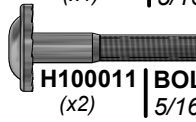
**H100030** | WASHER LOCK  
(x12) | EXT  
8x19



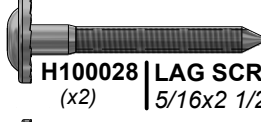
**H100018** | BOLT WH  
(x4) | 5/16x3 1/2



**H100074** | T-NUT  
(x4) | 5/16



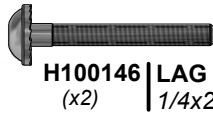
**H100011** | BOLT WH  
(x2) | 5/16x1 3/4



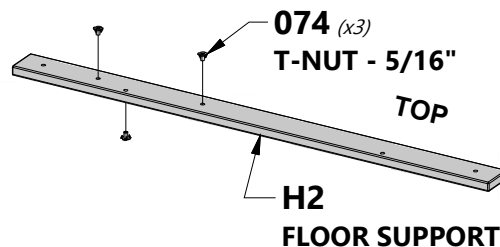
**H100028** | LAG SCREW WH  
(x2) | 5/16x2 1/2



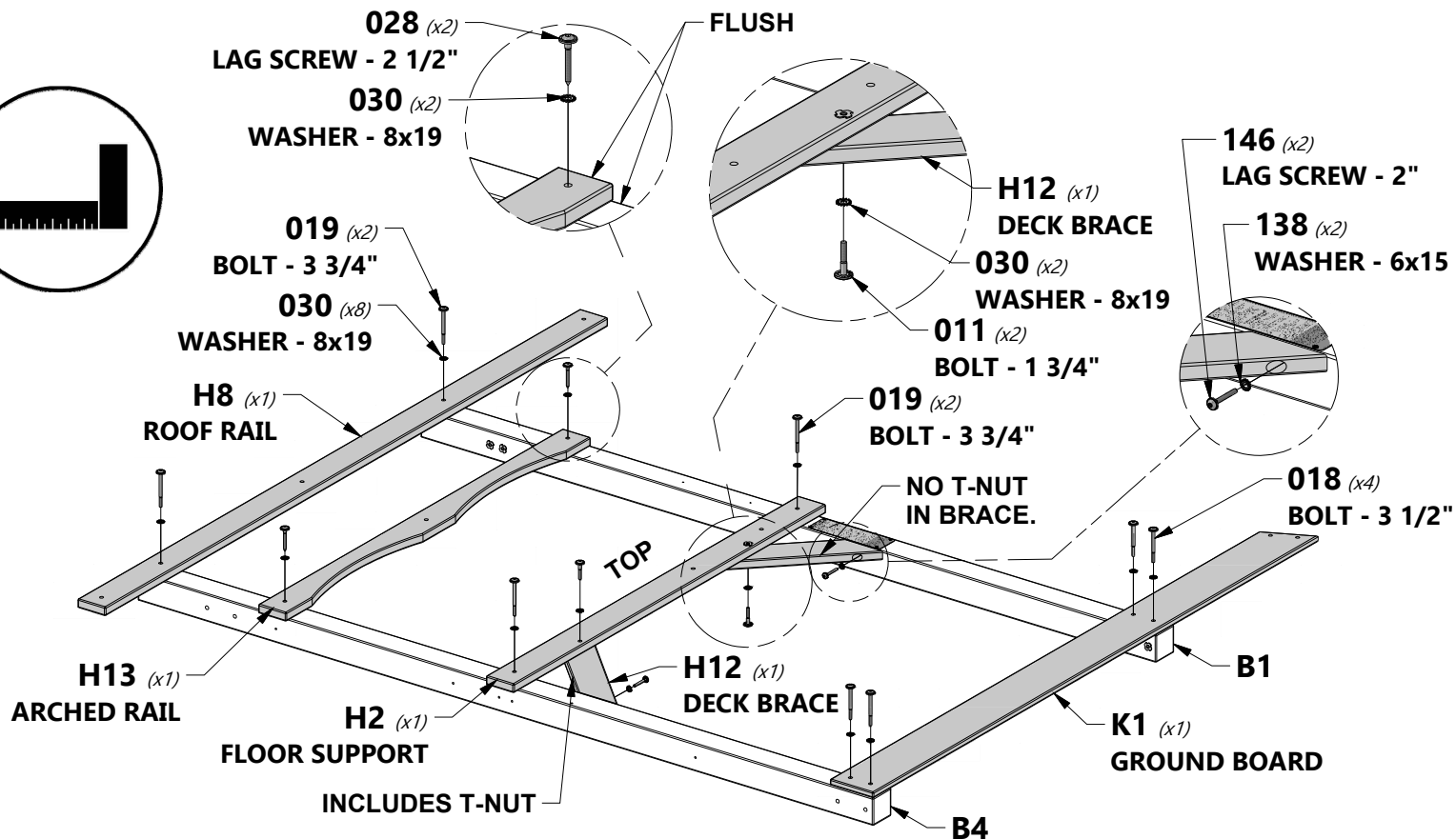
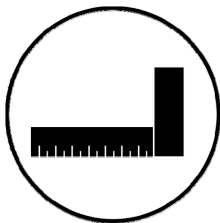
**H100138** | WASHER LOCK  
(x2) | EXT  
6x15



**H100146** | LAG SCREW WH  
(x2) | 1/4x2

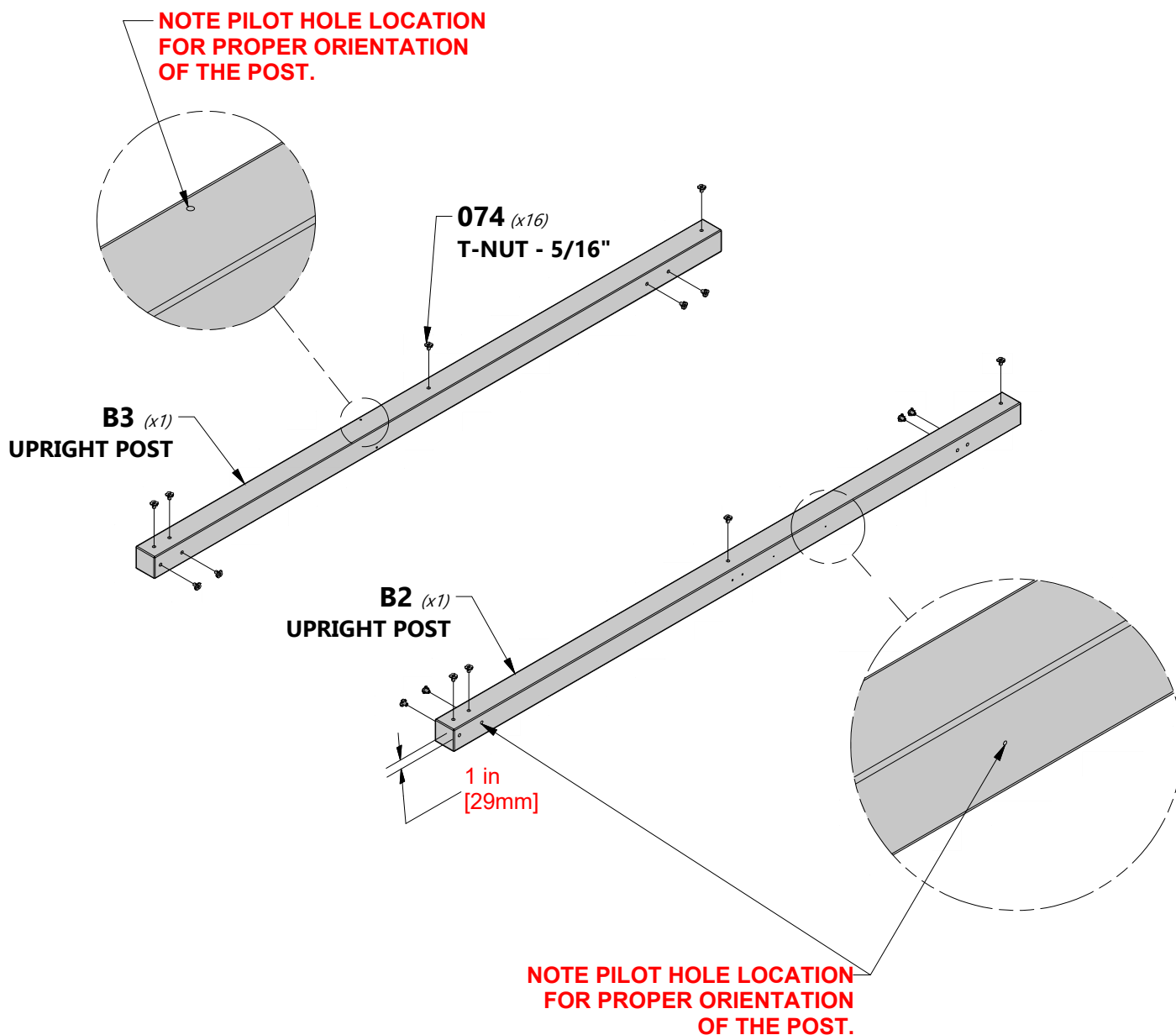
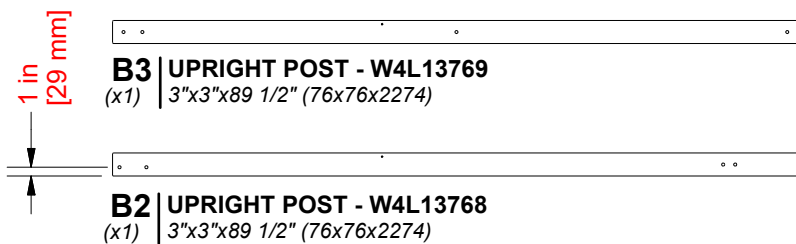


**T-NUT SUB ASSEMBLY**





**H100074** | T-NUT  
(x16) | 5/16





**H3** | FLOOR SUPPORT - W4L13773  
(x1) | 1"x3 3/8"x52 1/8" (24x86x1324)

**H12** | DECK BRACE - W4L13771  
(x2) | 1"x3 3/8"x15 7/8" (24x86x402)

**H8** | ROOF RAIL - W4L13765  
(x1) | 1"x3 3/8"x83 7/8" (24x86x2132)

**K3** | GROUND BOARD - W4L07124  
(x1) | 5/8"x5 1/4"x50 1/8" (16x134x1274)

**M8** | WALL RAIL - W4L07145  
(x2) | 5/8"x3 3/8"x50 7/8" (16x86x1292)

**H100019** | BOLT WH  
(x4) | 5/16x3 3/4

**H100018** | BOLT WH  
(x4) | 5/16x3 1/2

**H100011** | BOLT WH  
(x2) | 5/16x1 3/4

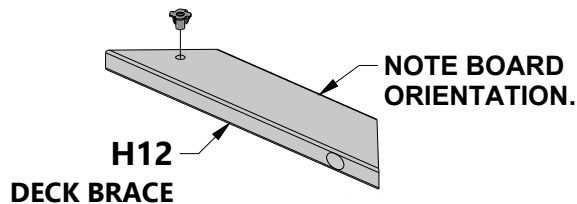
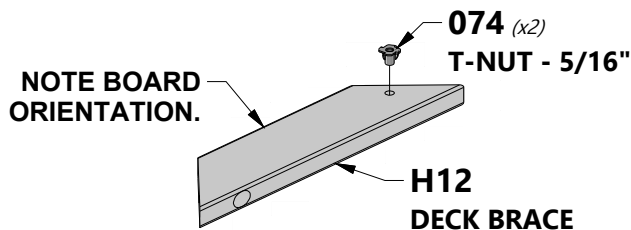
**H100027** | LAG SCREW WH  
(x4) | 5/16x2

**H100146** | LAG SCREW WH  
(x2) | 1/4x2

**H100030** | WASHER LOCK  
(x14) | EXT  
8x19

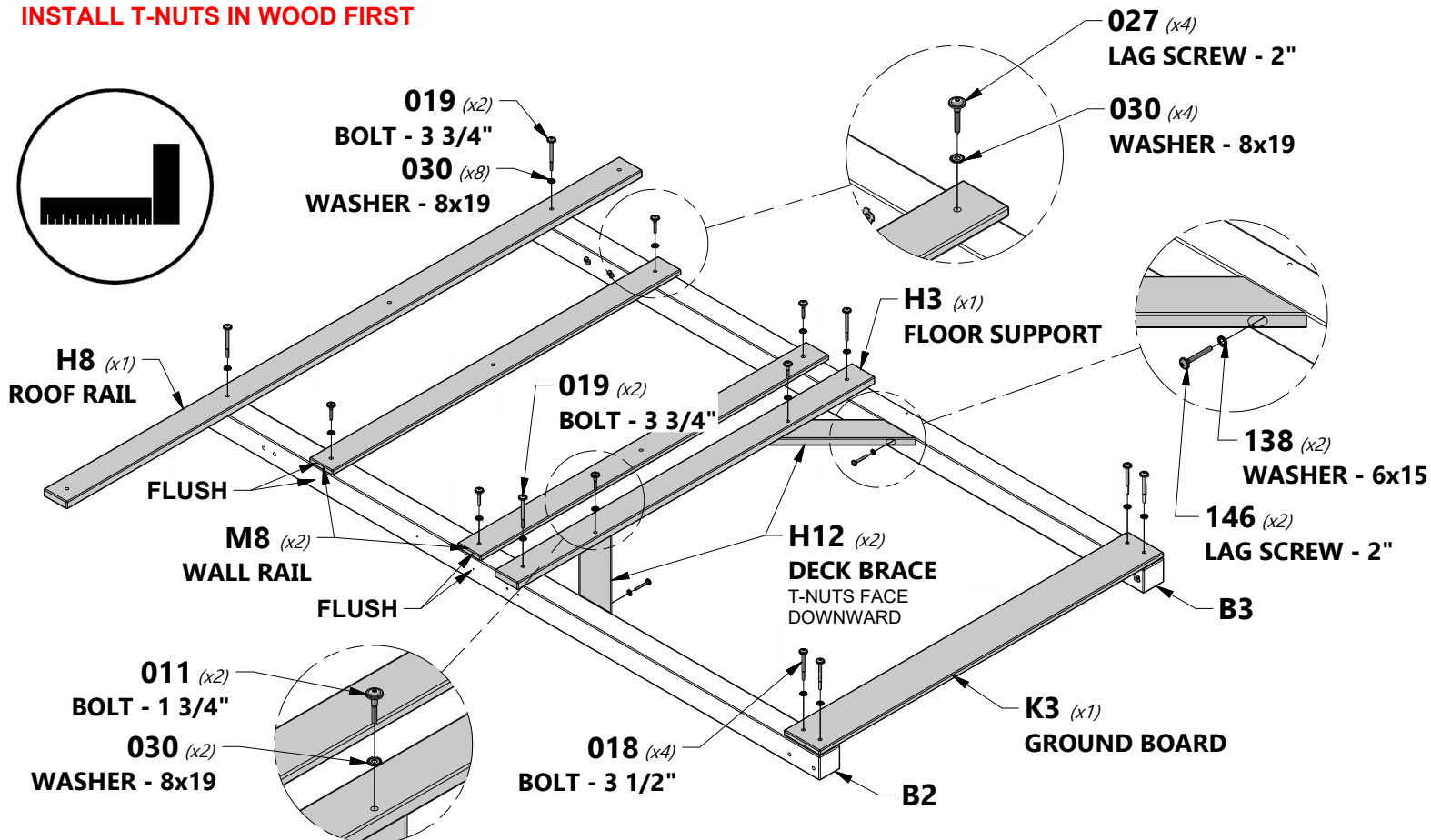
**H100074** | T-NUT  
(x2) | 5/16

**H100138** | WASHER LOCK  
(x2) | EXT  
6x15



### T-NUT SUB ASSEMBLY

**TIP:**  
INSTALL T-NUTS IN WOOD FIRST

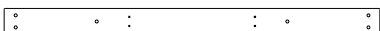




**G2** | WALL RAIL - W4L07153  
(x1) | 1"x5 1/4"x48 7/8" (24x134x1243)



**M9** | WALL RAIL - W4L07146  
(x3) | 5/8"x3 3/8"x48 7/8" (16x86x1243)



**H5** | FLOOR SUPPORT - W4L07131  
(x1) | 1"x3 3/8"x48 7/8" (24x86x1243)



**K2** | GROUND BOARD - W4L07123  
(x1) | 5/8"x5 1/4"x89 3/8" (16x134x2270)



**H100019** | BOLT WH  
(x4) | 5/16x3 3/4



**H100018** | BOLT WH  
(x4) | 5/16x3 1/2



**H100028** | LAG SCREW WH  
(x4) | 5/16x2 1/2



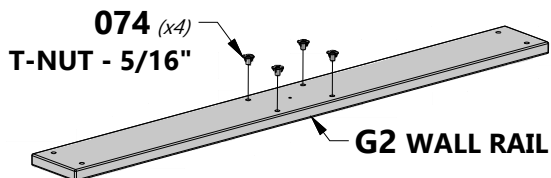
**H100027** | LAG SCREW WH  
(x6) | 5/16x2



**H100030** | WASHER LOCK  
(x18) | EXT  
8x19



**H100074** | T-NUT  
(x4) | 5/16



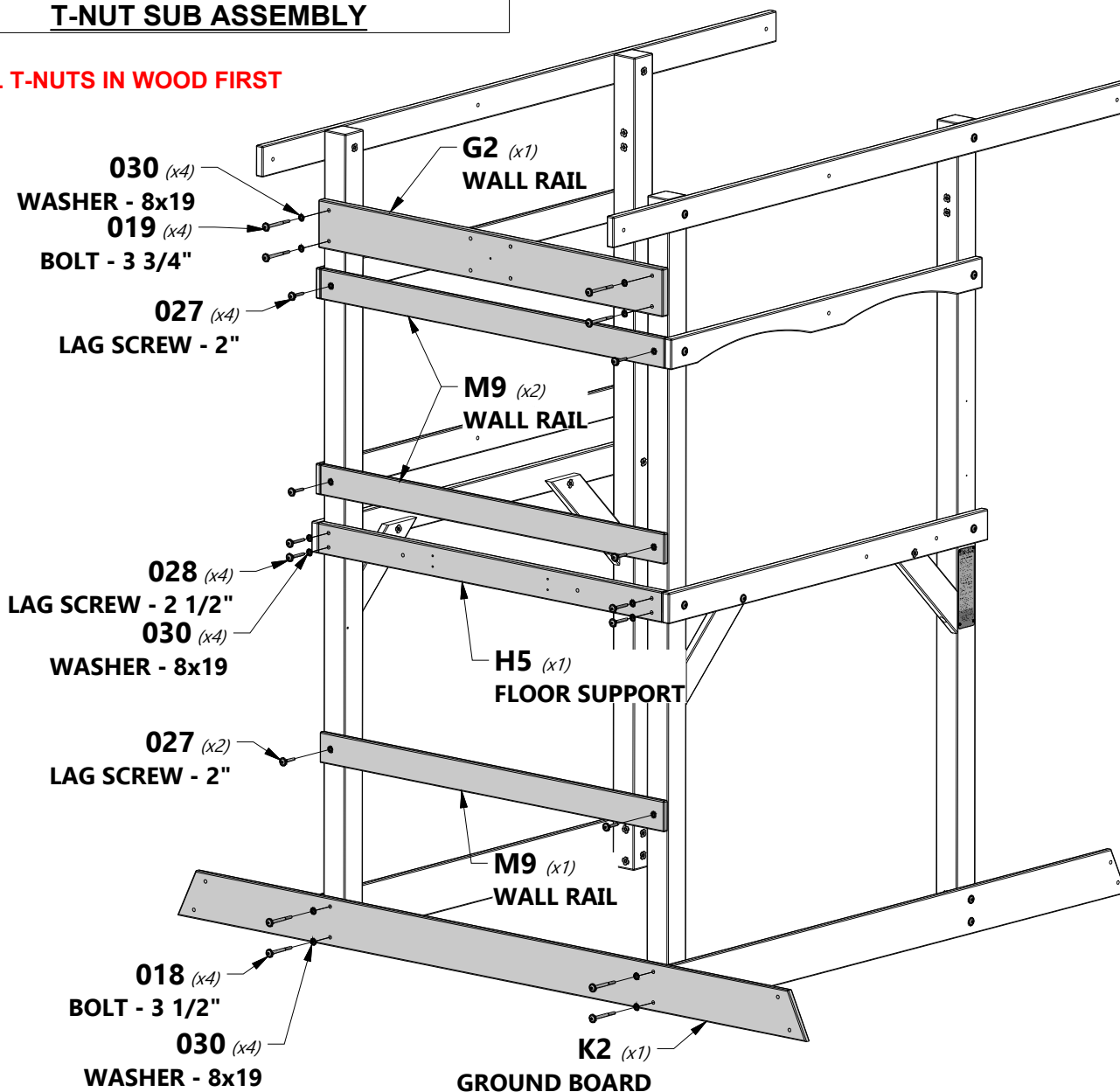
**T-NUT SUB ASSEMBLY**



**NOTE:**

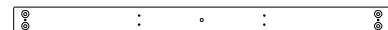
ASSEMBLE THE T-NUT SUB ASSEMBLY FIRST.

**TIP:**  
INSTALL T-NUTS IN WOOD FIRST





**G1** | GROUND BOARD - W4L13582  
(x1) | 1"x5 1/4"x79 1/8" (24x134x2010)



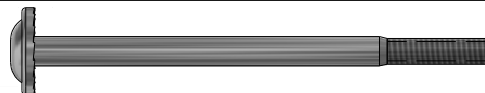
**H4** | FLOOR SUPPORT - W4L07130  
(x1) | 1"x3 3/8"x48 7/8" (24x86x1243)



**W1** | SUPPORT BOARD - W4L07156  
(x1) | 2"x3 3/8"x78 7/8" (50x86x2005)



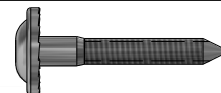
**A100140** | L BRACKET 66x66x127  
(x1)



**H100505** | BOLT WH  
(x4) | 5/16x4 3/4



**H100020** | BOLT WH  
(x2) | 5/16x4



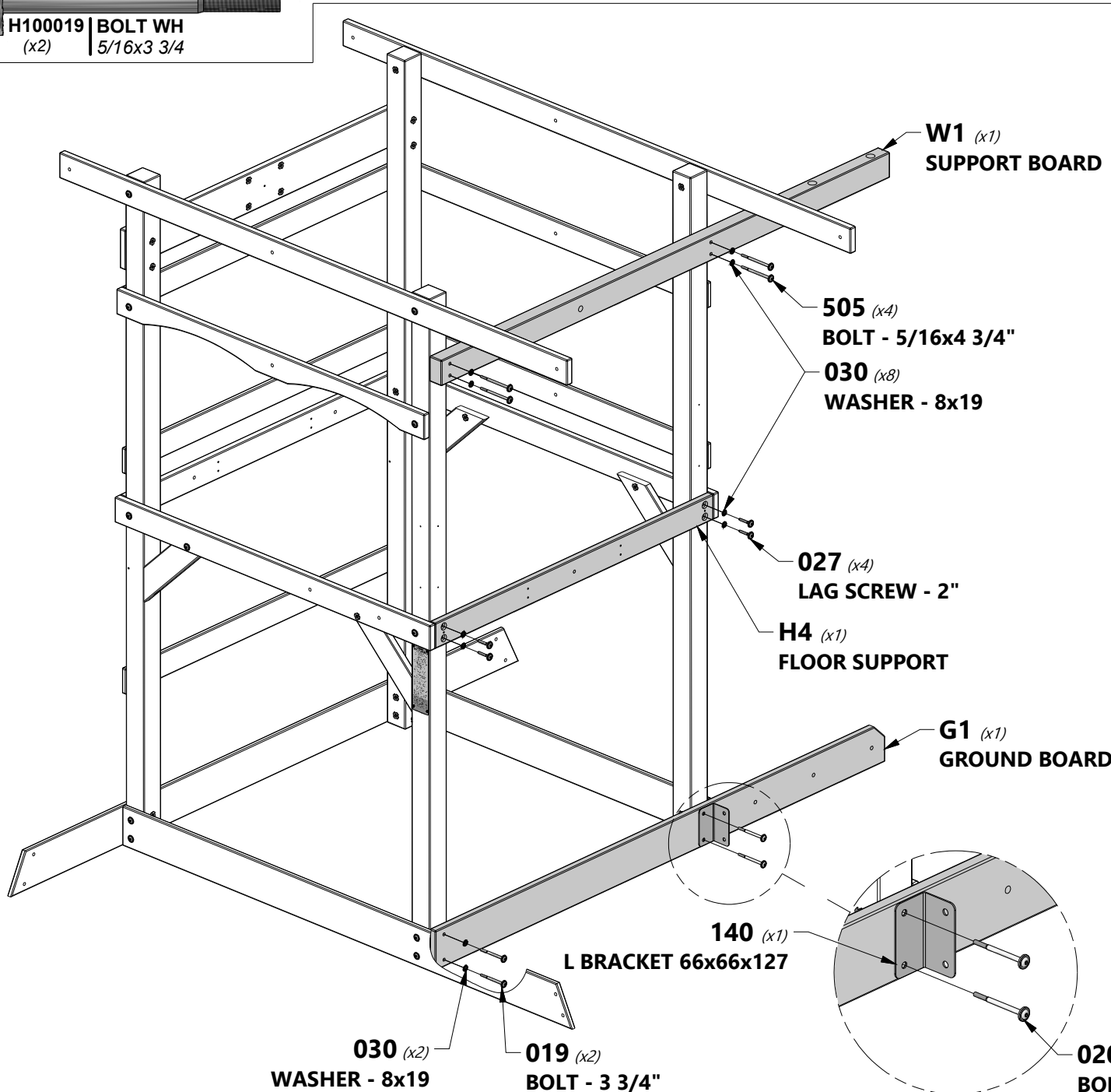
**H100027** | LAG SCREW WH  
(x4) | 5/16x2



**H100030** | WASHER LOCK  
EXT  
8x19  
(x10)



**H100019** | BOLT WH  
(x2) | 5/16x3 3/4





**K4** | GROUND BOARD - W4L13756  
(x1) | 5/8"x5 1/4"x23 1/8" (16x134x588)



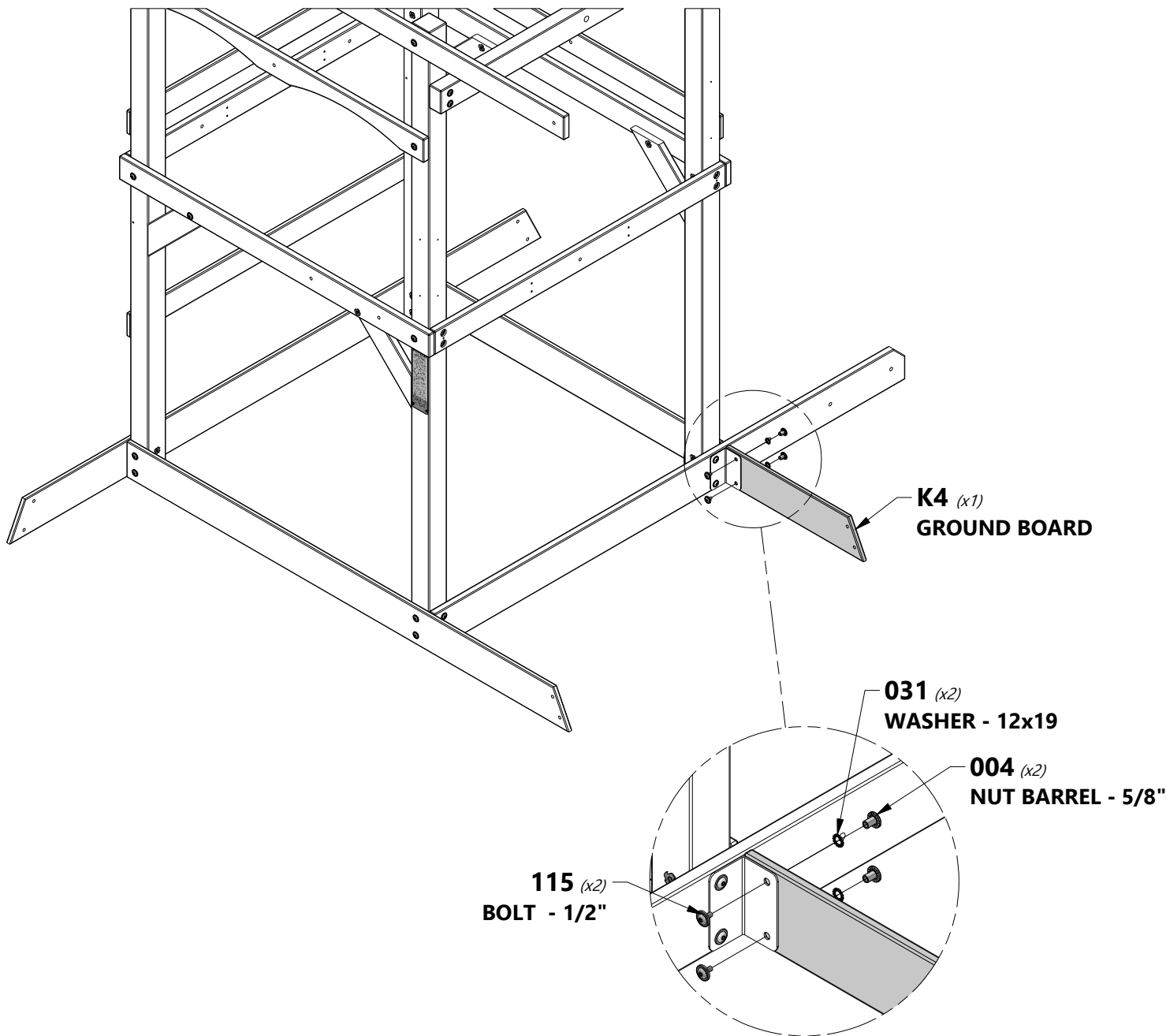
**H100115** | BOLT WH  
(x2) | 5/16x1/2



**H100031** | WASHER LOCK  
(2) | EXT  
12x19



**H100004** | NUT BARREL WH  
(x2) | 5/16 x 5/8





**H1** | **ANGLE BRACE - W4L07127**  
 (x2) | 1"x3 3/8"x44 1/2" (24x86x1129)

**H11** | **DECK BRACE - W4L07296**  
 (x2) | 1"x3 3/8"x17 3/4" (24x86x450)

**H100011** | **BOLT WH**  
 (x2) | 5/16x1 3/4



**H100030** | **WASHER LOCK**  
 (6) | **EXT**  
 8x19

**H100010** | **BOLT WH**  
 (x4) | 5/16x1-1/2



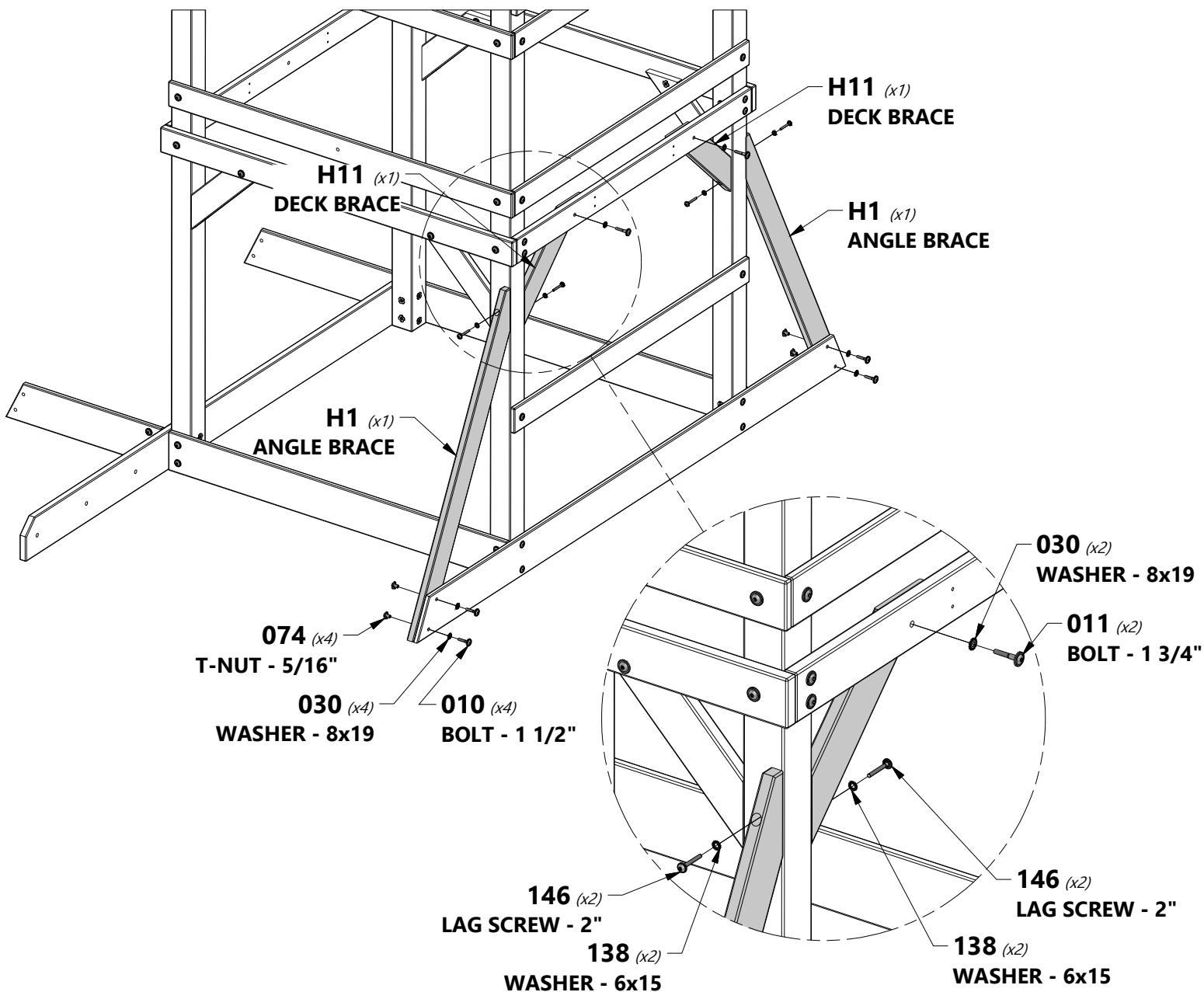
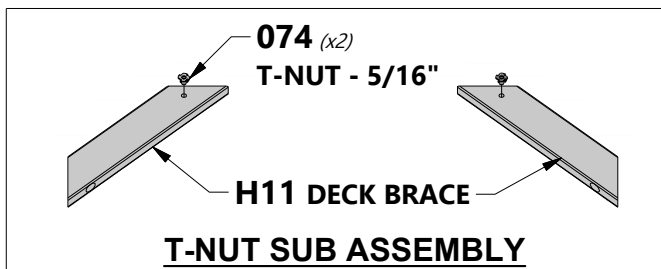
**H100138** | **WASHER LOCK**  
 (4) | **EXT**  
 6x15

**H100146** | **LAG SCREW WH**  
 (x4) | 1/4x2



**H100074** | **T-NUT**  
 (x6) | 5/16

**TIP:**  
**INSTALL T-NUTS IN WOOD FIRST**







**E1** RAIL - W4L13761  
 (x1) | 1 3/8"x3"x51 7/8" (36x76x1318)

**E2** RAIL - W4L13755  
 (x1) | 1 3/8"x3"x51 7/8" (36x76x1318)

**E3** RAIL - W4L13762  
 (x1) | 1 3/8"x3"x51 7/8" (36x76x1318)

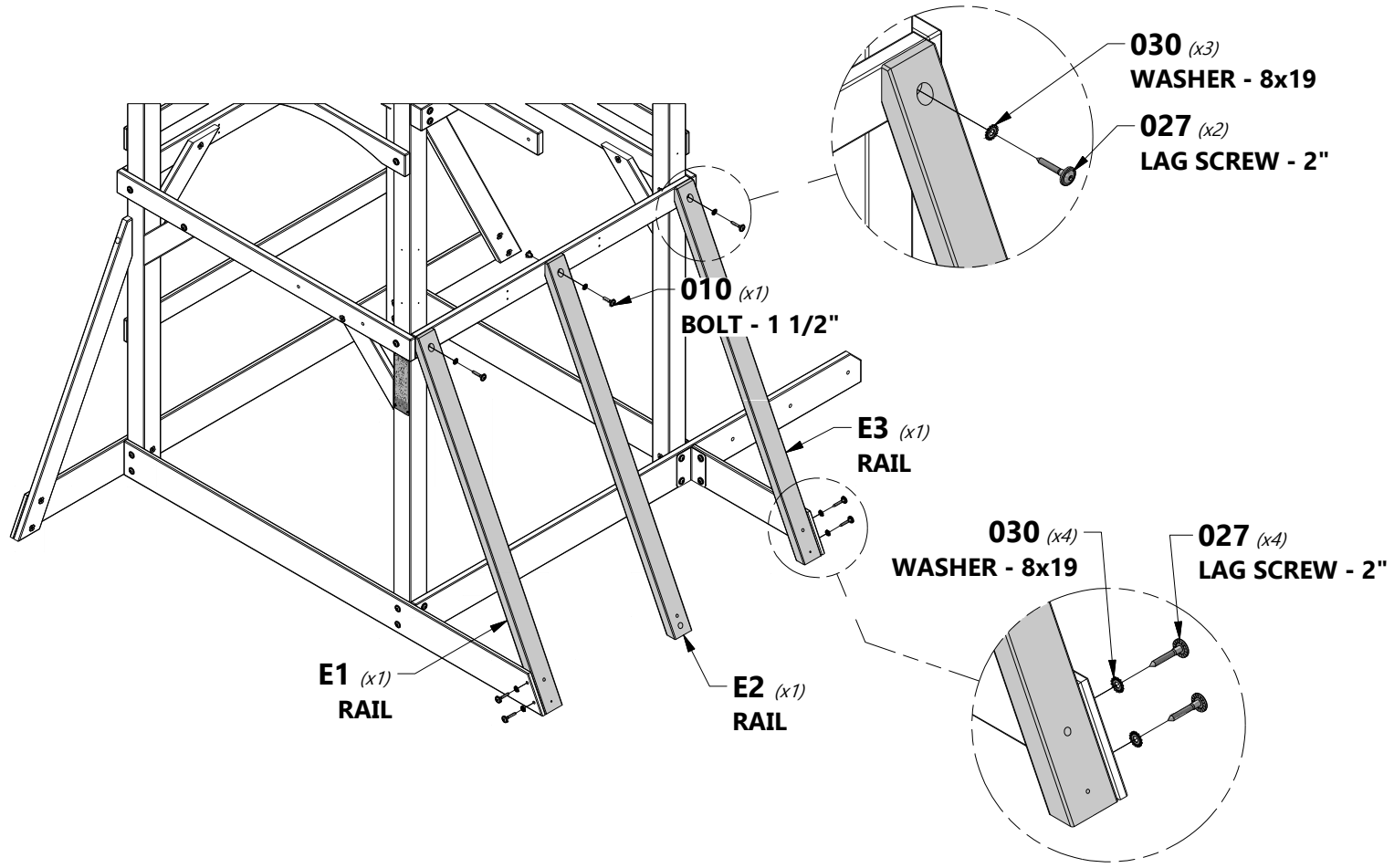
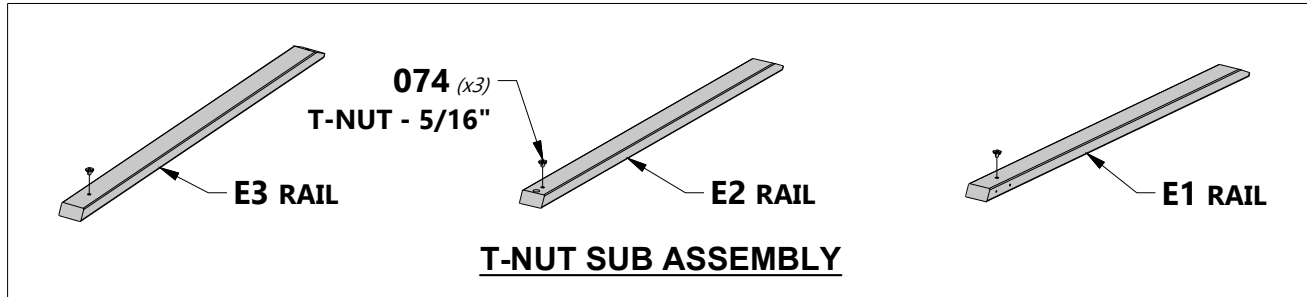
**H100027** LAG SCREW WH  
 (x6) | 5/16x2

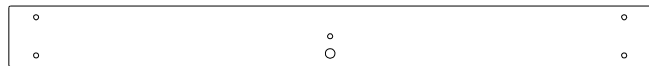
**H100030** WASHER LOCK  
 (x7) | EXT  
 8x19

**H100010** BOLT WH  
 (x1) | 5/16x1-1/2

**H100074** T-NUT  
 (x4) | 5/16

**TIP:**  
 INSTALL T-NUTS IN WOOD FIRST





**K5** | GROUND BOARD - W4L13757  
(x1) | 5/8"x4 3/4"x50 1/4" (16x120x1275)



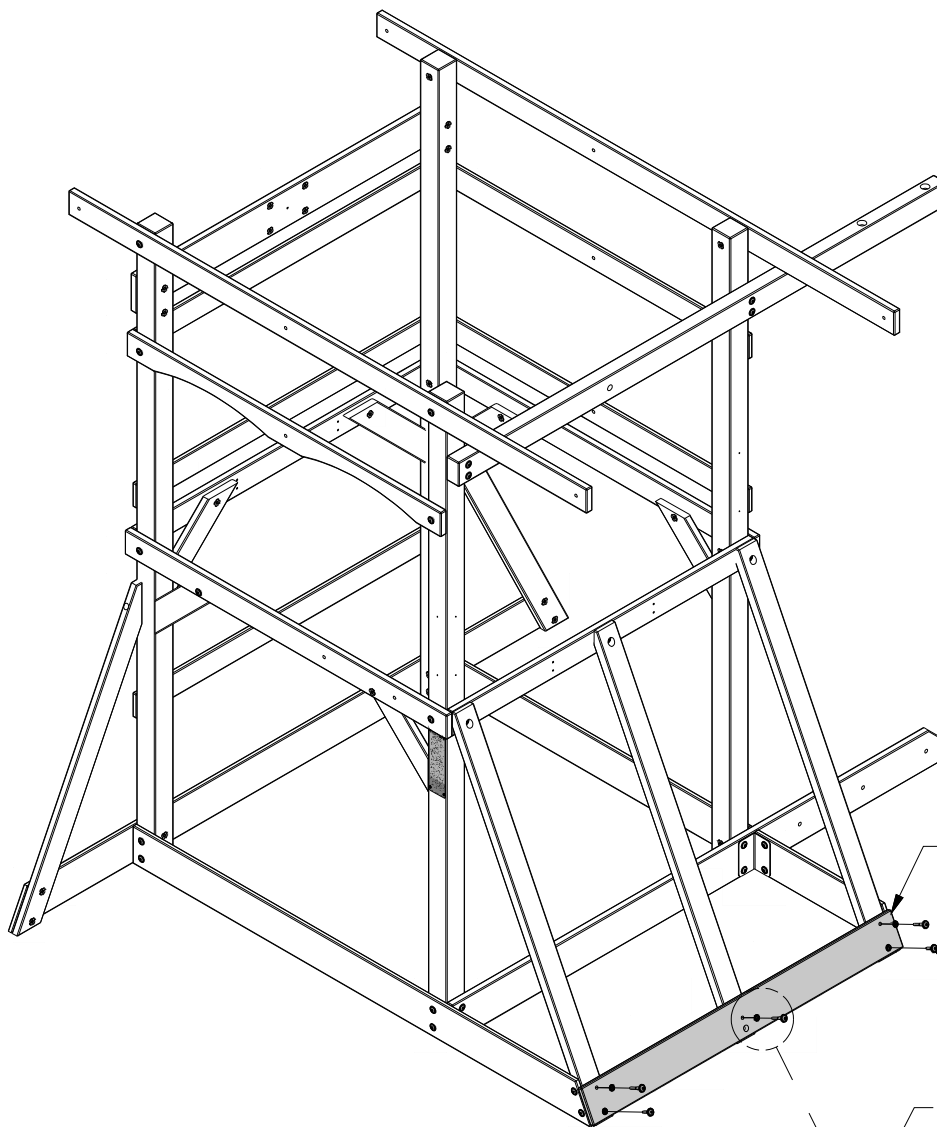
**H100012** | BOLT WH  
(x3) | 5/16x2



**H100030** | WASHER LOCK  
(x5) | EXT  
8x19



**H100026** | LAG SCREW WH  
(x2) | 5/16x1 1/2



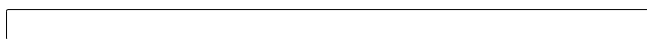
**K5** (x1)  
GROUND BOARD

**026** (x2)  
LAG SCREW - 1 1/2"

**030** (x5)  
WASHER - 8x19

**012** (x3)  
BOLT - 2"

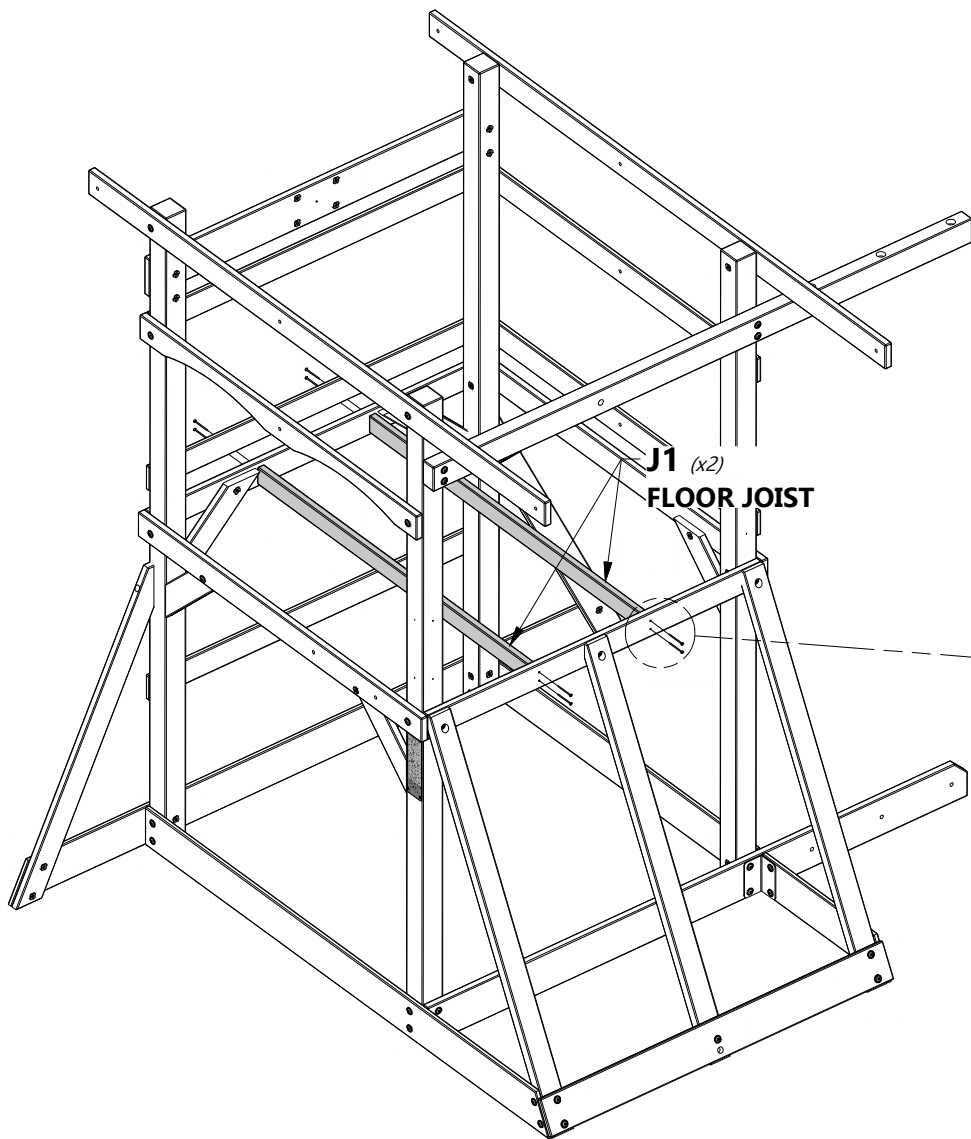
**NOTE HOLE LOCATION FOR PROPER ORIENTATION OF THE BOARD.**



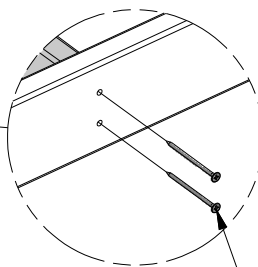
**J1** | FLOOR JOIST - W4L07139  
(x2) | 1"x2 3/8"x50 1/4" (24x60x1275)



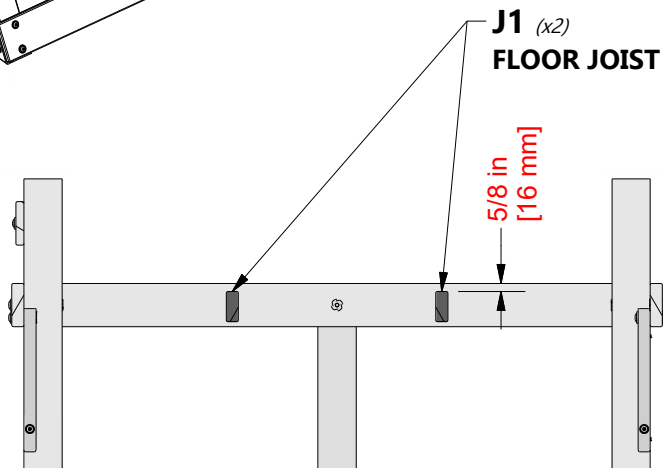
**H100090** | SCREW PFH  
(x8) | 8x2 1/2"



**J1 (x2)**  
FLOOR JOIST



**090 (x8)**  
SCREW - 2 1/2"



**J1 (x2)**  
FLOOR JOIST

5/8 in  
[16 mm]



**M2** | ROCK WALL BOARD - W4L13759  
(x3) | 5/8"x3 3/8"x48 7/8" (16x86x1243)

**M3** | ROCK WALL BOARD - W4L13760  
(x3) | 5/8"x3 3/8"x48 7/8" (16x86x1243)



**A6P00037** | GREEN HC ROCK #2  
(x9)



**H100063** | BOLT PTH  
(x18) | 1/4x3/4

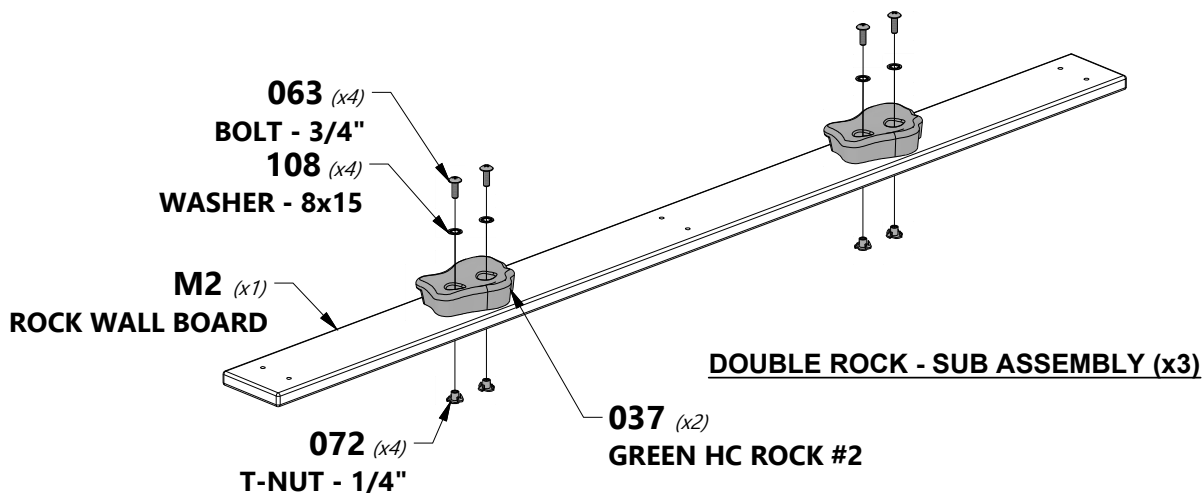
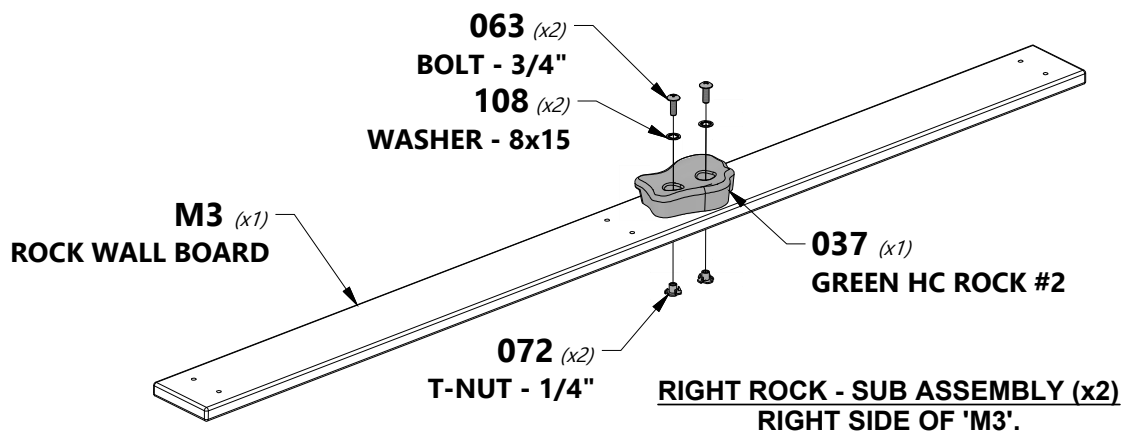
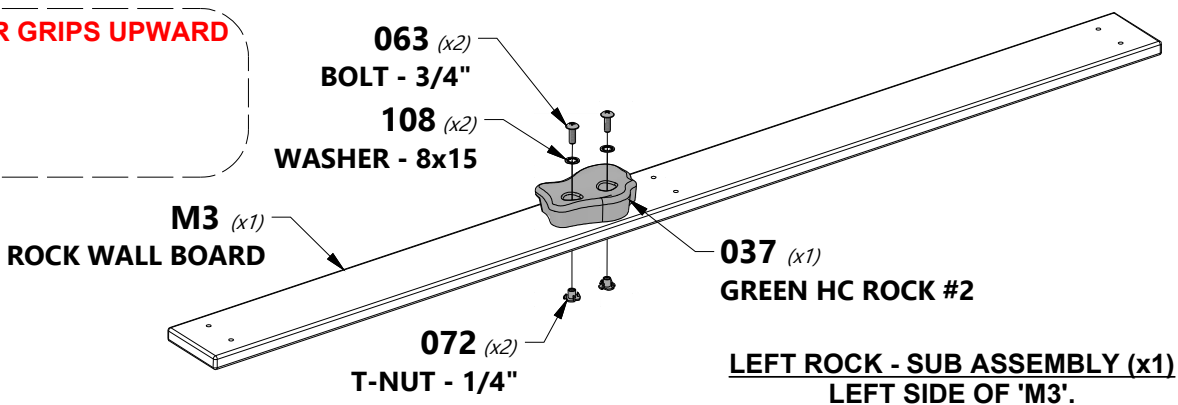
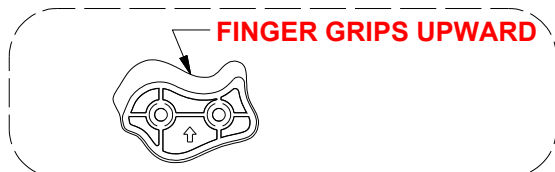


**H100108** | WASHER LOCK INT  
(x18) | 8x15



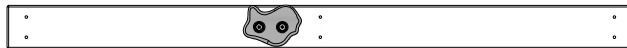
**H100072** | T-NUT  
(x18) | 1/4

**TIP:**  
INSTALL T-NUTS IN WOOD FIRST





**M1** | **ROCK WALL BOARD - W4L13758**  
(x7) | 5/8"x3 3/8"x48 7/8" (16x86x1243)



**LEFT ROCK - SUB ASSEMBLY (x1)**  
(FROM STEP 14).



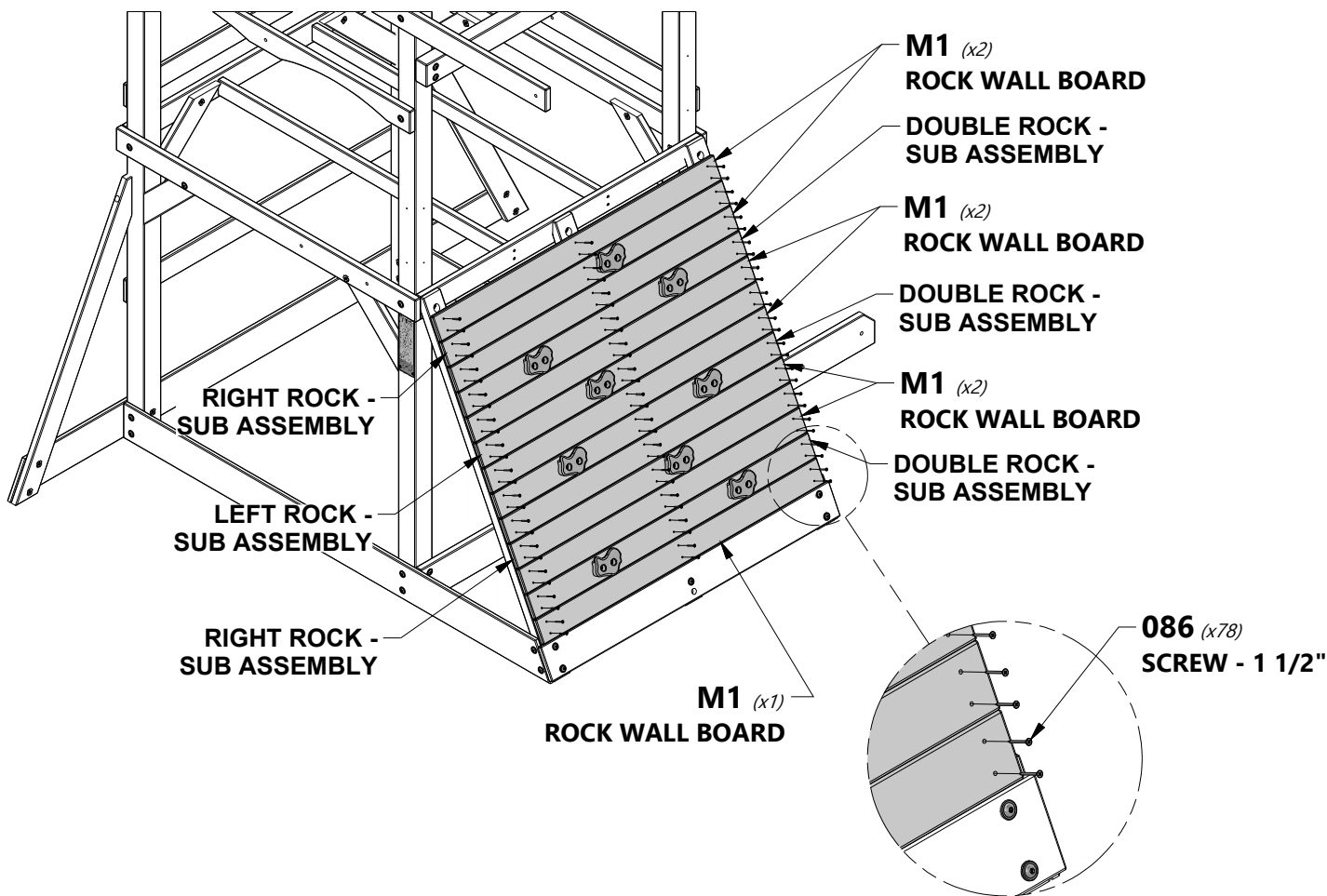
**DOUBLE ROCK - SUB ASSEMBLY (x3)**  
(FROM STEP 14).

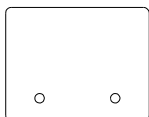


**RIGHT ROCK - SUB ASSEMBLY (x2)**  
(FROM STEP 14).



**H100086 | SCREW PFH**  
(x78) | 8x1 1/2





**J2** | FLOOR SUPPORT - W4L06710  
(x4) | 1"x2 3/8"x3" (24x60x76)



**H100089** | SCREW PFH  
(x8) | 8x1 3/4

5/8 in  
[16 mm]

FLOOR SUPPORT

CORNER POST

J2 FLOOR SUPPORT

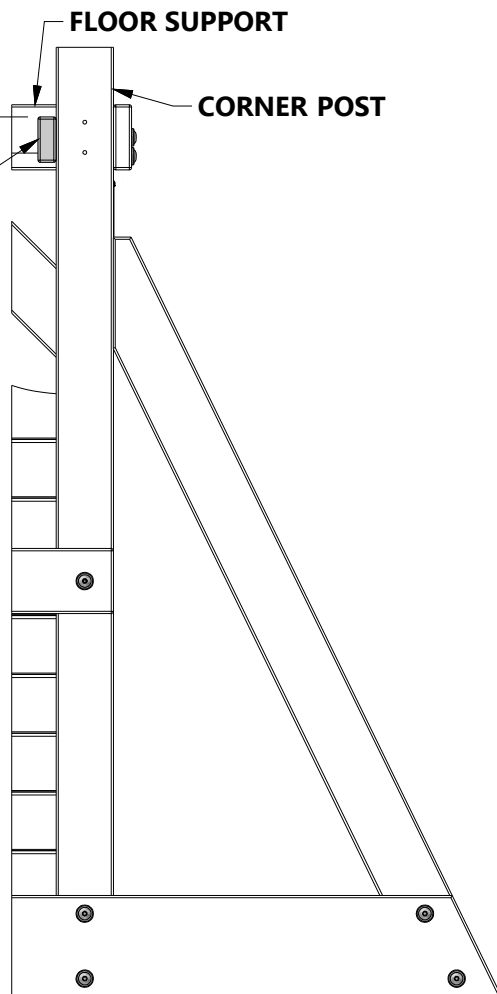
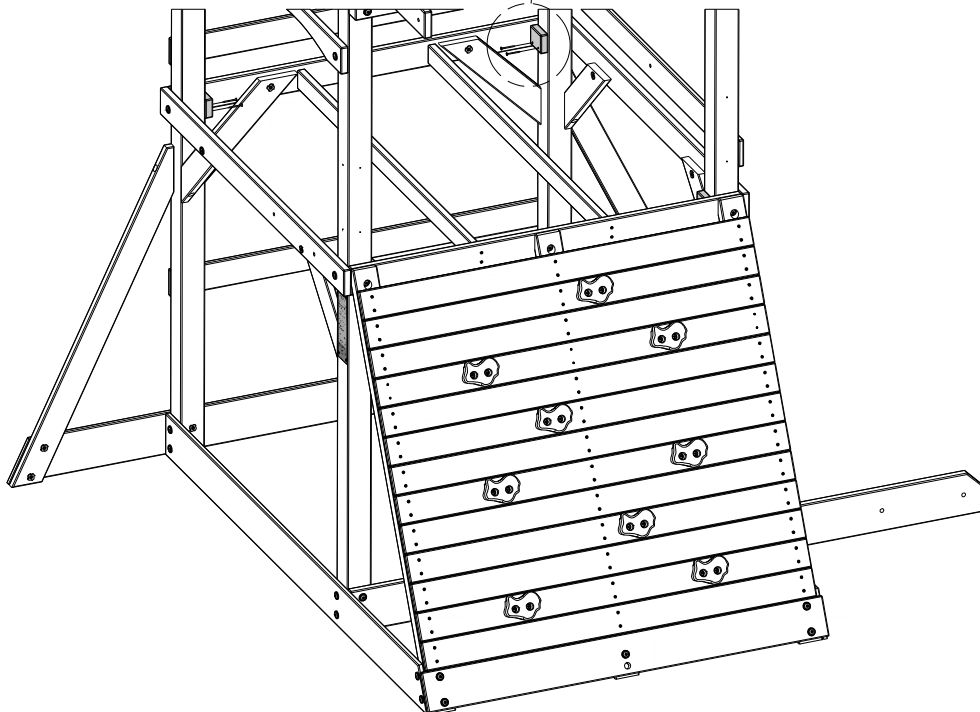
FLOOR SUPPORT

**089** (x2)  
SCREW - 1 3/4"

**J2** (x1)  
FLOOR SUPPORT  
(4 CORNER POSTS)

FLUSH

CORNER POST

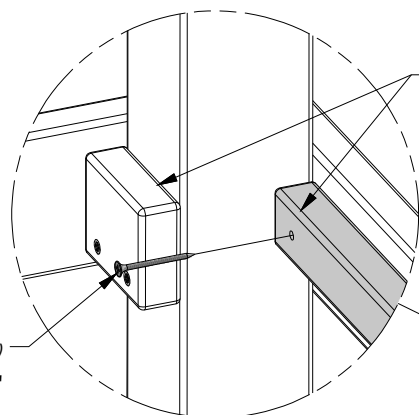




**T1 | SUPPORT BOARD - W4L07140**  
(x2) | 1"x1 3/8"x44 1/8" (24x34x1122)

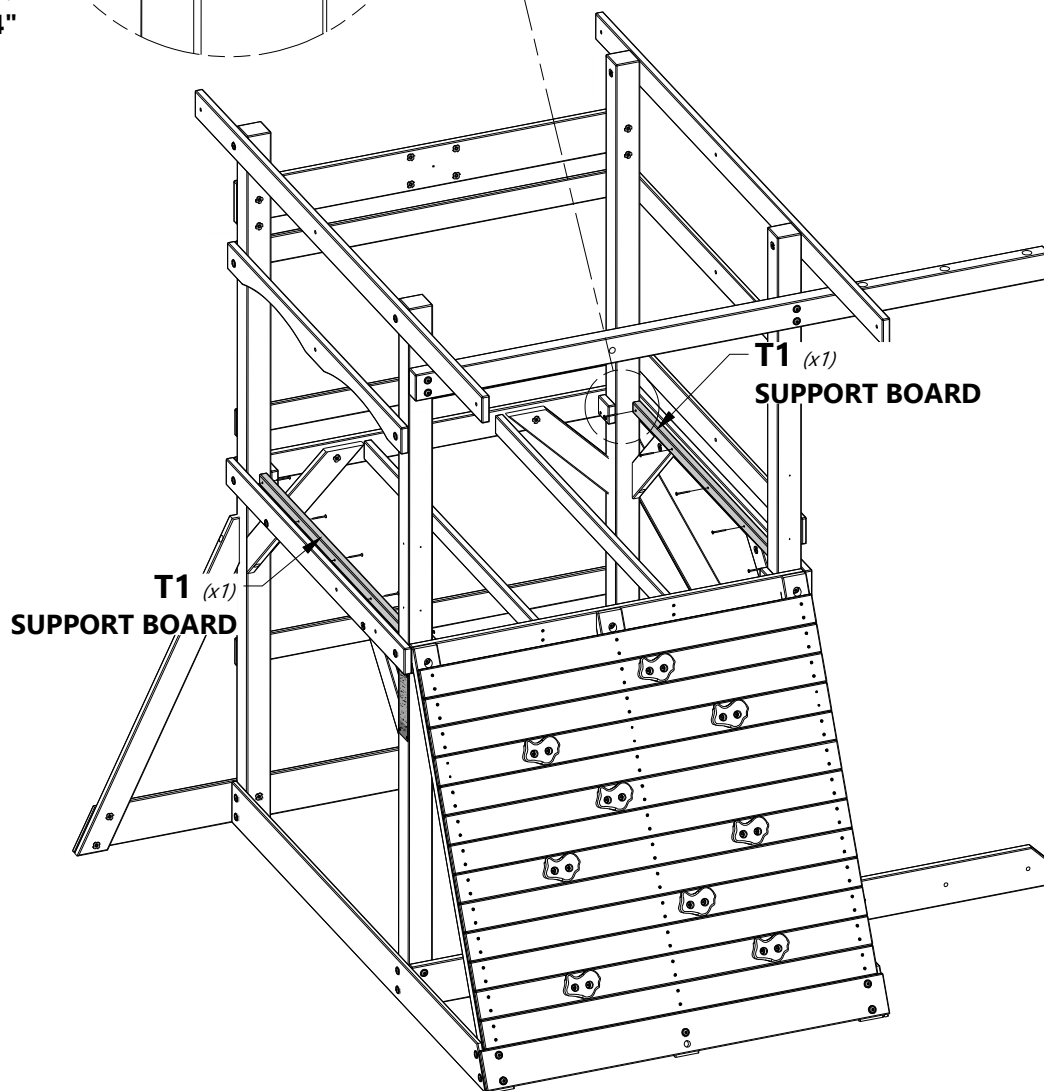


**H100089 | SCREW PFH**  
(x10) | 8x1 3/4



FLUSH

**089 (x10)**  
SCREW - 1 3/4"

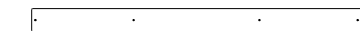


**T1 (x1)**  
SUPPORT BOARD

**T1 (x1)**  
SUPPORT BOARD



**FP1 | FLOOR PANEL**  
(x2) | 1 1/4"x17"x48 5/8" (32x432x1242)



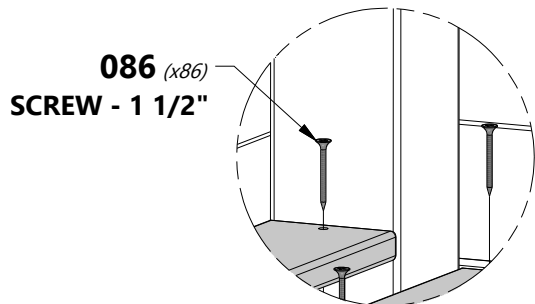
**M4 | FLOOR BOARD - W4L07141**  
(x2) | 5/8"x3"x42 7/8" (16x76x1090)



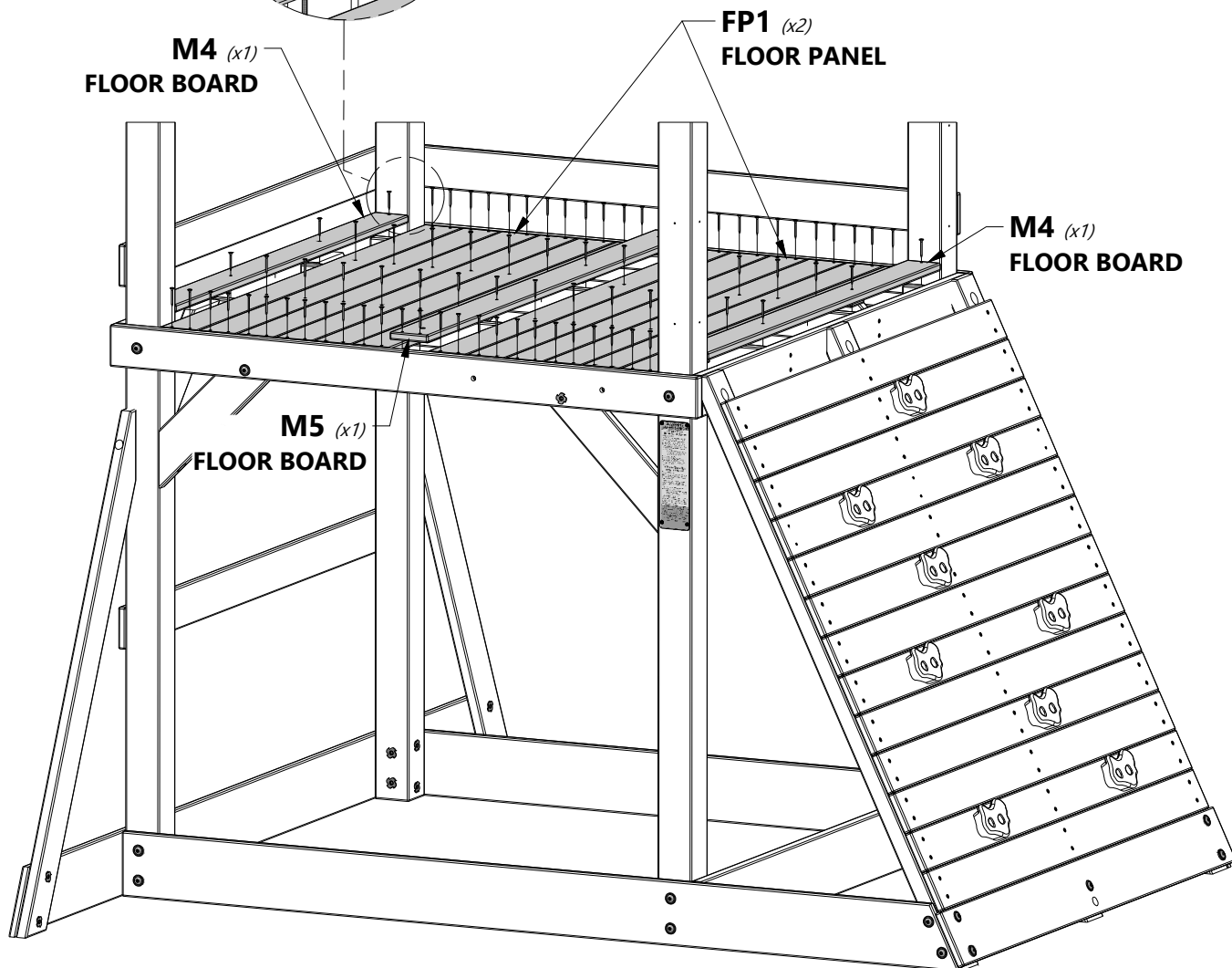
**M5 | FLOOR BOARD - W4L07142**  
(x1) | 5/8"x3 3/8"x48 7/8" (16x86x1242)



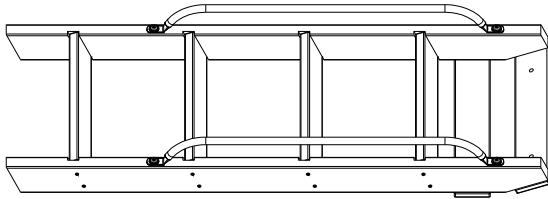
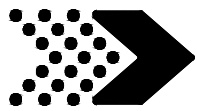
**H100086 | SCREW PFH**  
(x86) | 8x1 1/2



**086 (x86)**  
SCREW - 1 1/2"







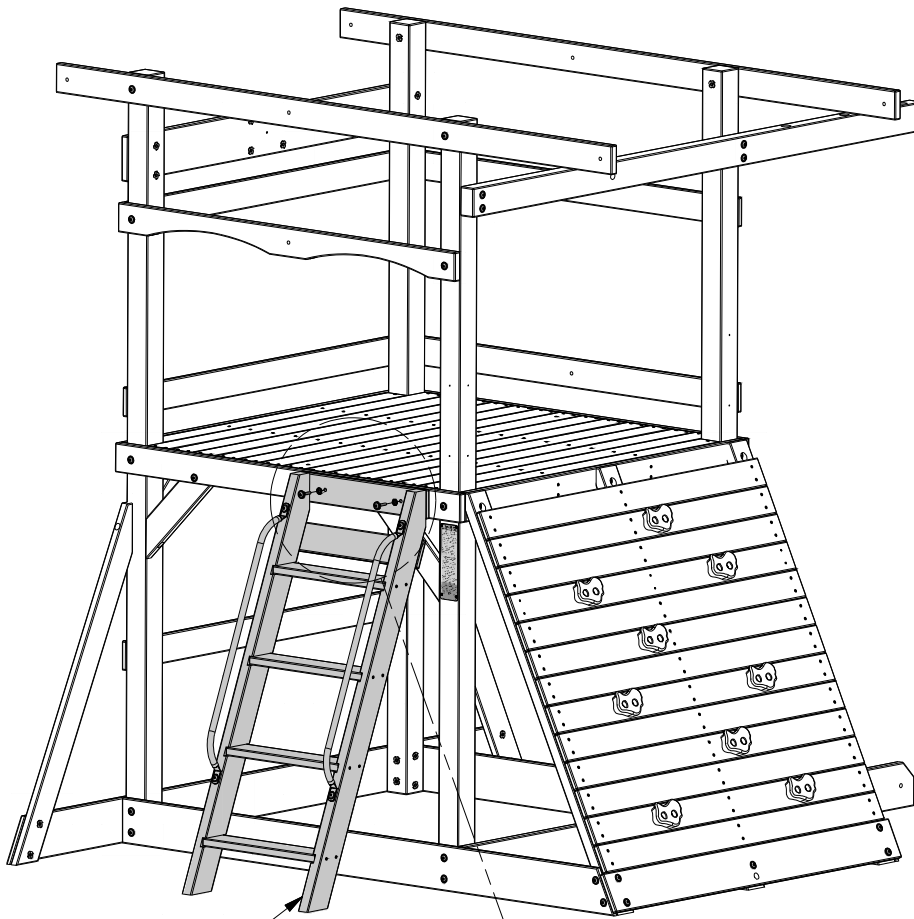
(1) LADDER ASSEMBLY



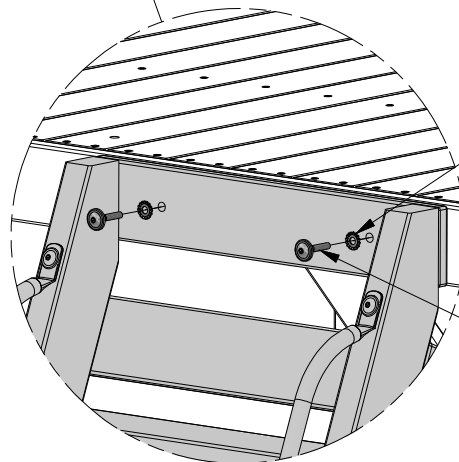
H100010 | BOLT WH  
(x2) | 5/16x1-1/2



H100030 | WASHER LOCK  
(x2) | EXT  
8x19



LADDER ASSEMBLY



030 (x2)  
WASHER - 8x19

010 (x2)  
BOLT - 1 1/2"



**H6** | UPRIGHT - W4L13763  
(x1) | 1"x3 3/8"x72" (24x86x1828)

TOP



**H100011** | BOLT WH  
(x1) | 5/16x1 3/4



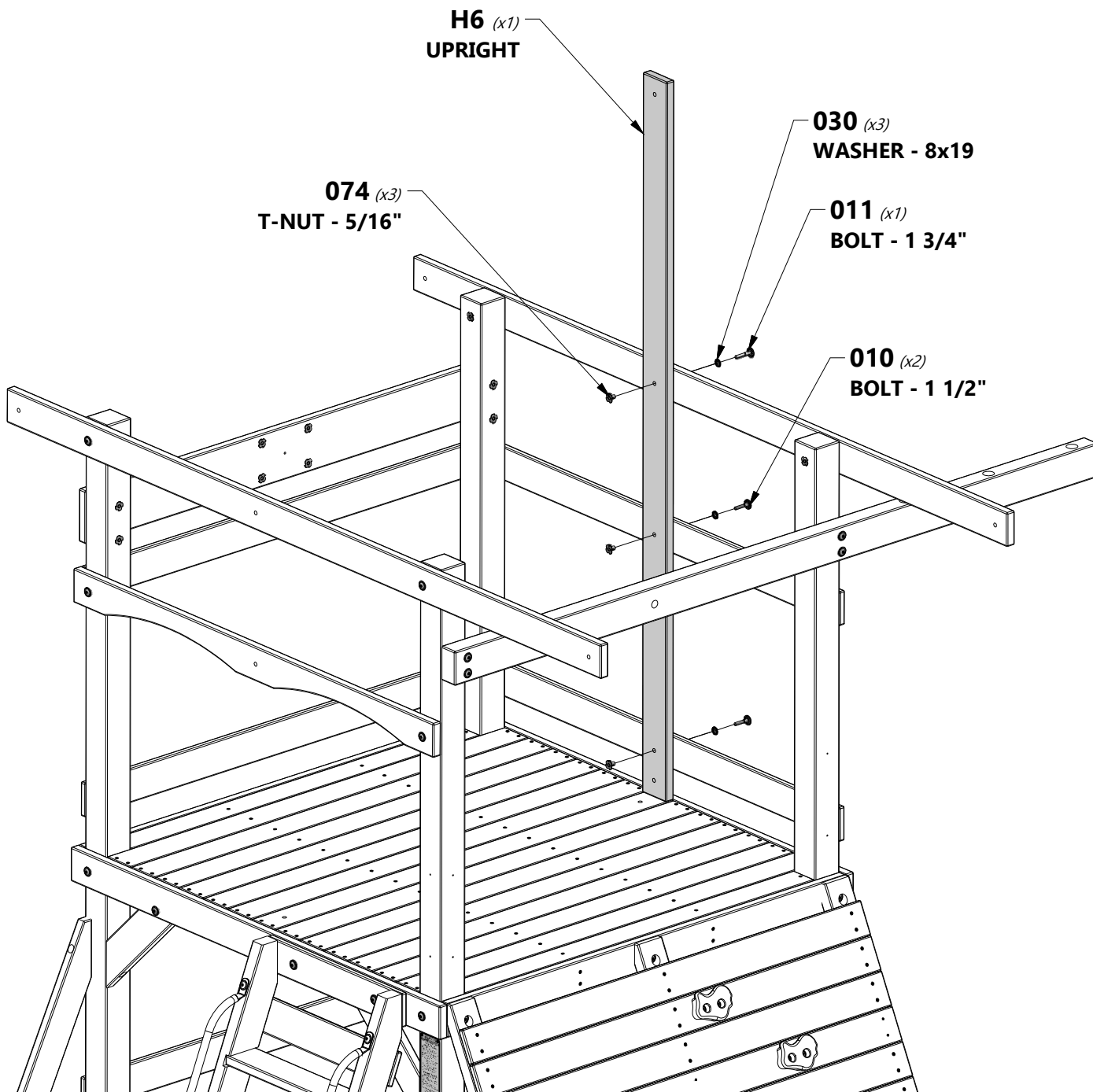
**H100010** | BOLT WH  
(x2) | 5/16x1-1/2

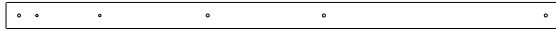
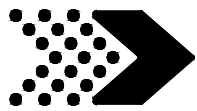


**H100074** | T-NUT  
(x3) | 5/16



**H100030** | WASHER LOCK  
(x3) | EXT  
8x19





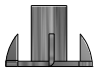
**H7** | UPRIGHT - W4L13764  
(x1) | 1"x3 3/8"x72" (24x86x1828)



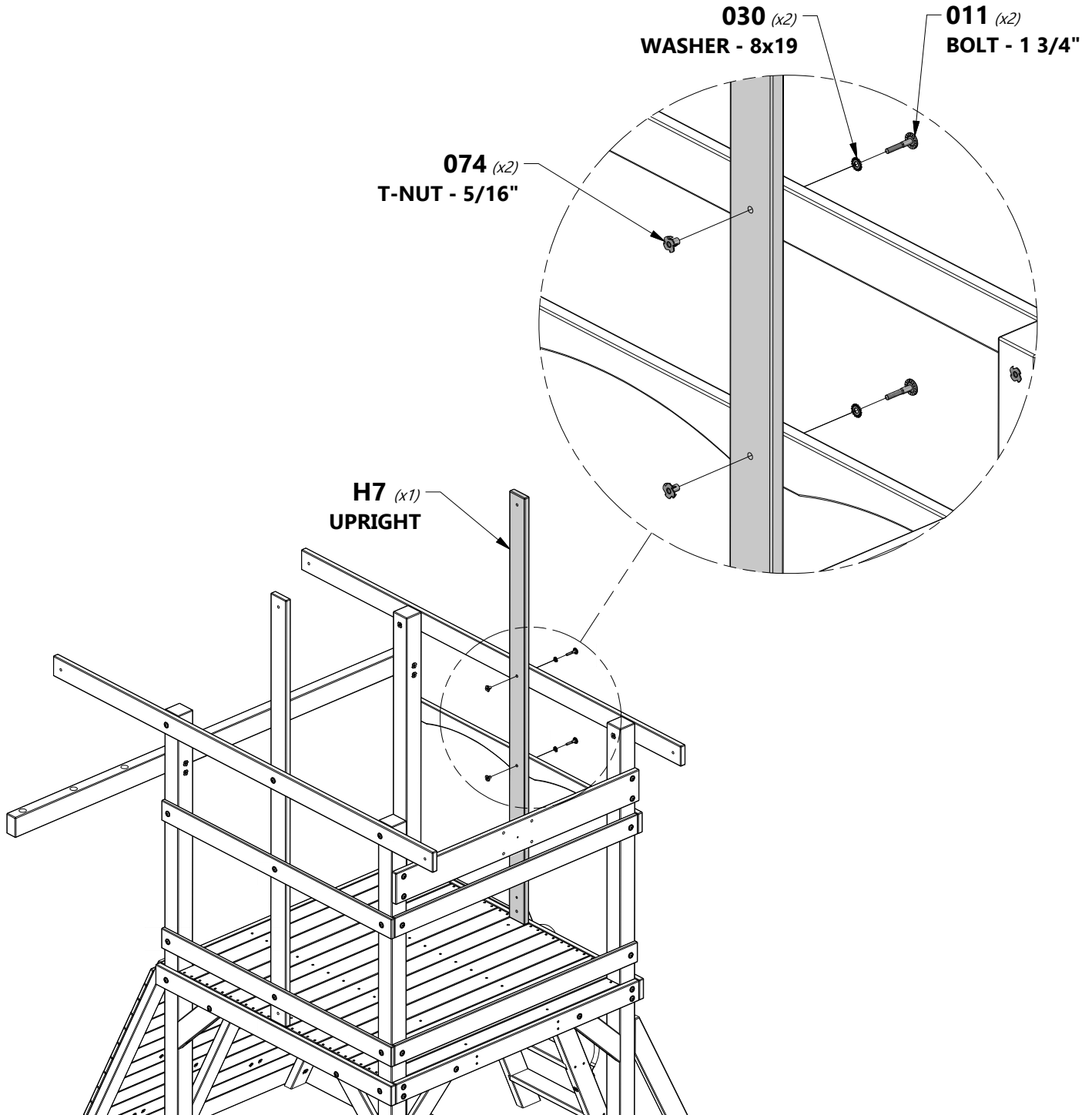
**H100011** | BOLT WH  
(x2) | 5/16x1 3/4



**H100030** | WASHER LOCK  
(x2) | EXT  
8x19



**H100074** | T-NUT  
(x2) | 5/16





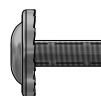
**A4M01046** | L BRACKET  
(2) | 2.5x38x55x55



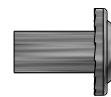
**H100115** | BOLT WH  
(x2) | 5/16x1/2



**H100031** | WASHER LOCK EXT  
(x2) | 12x19



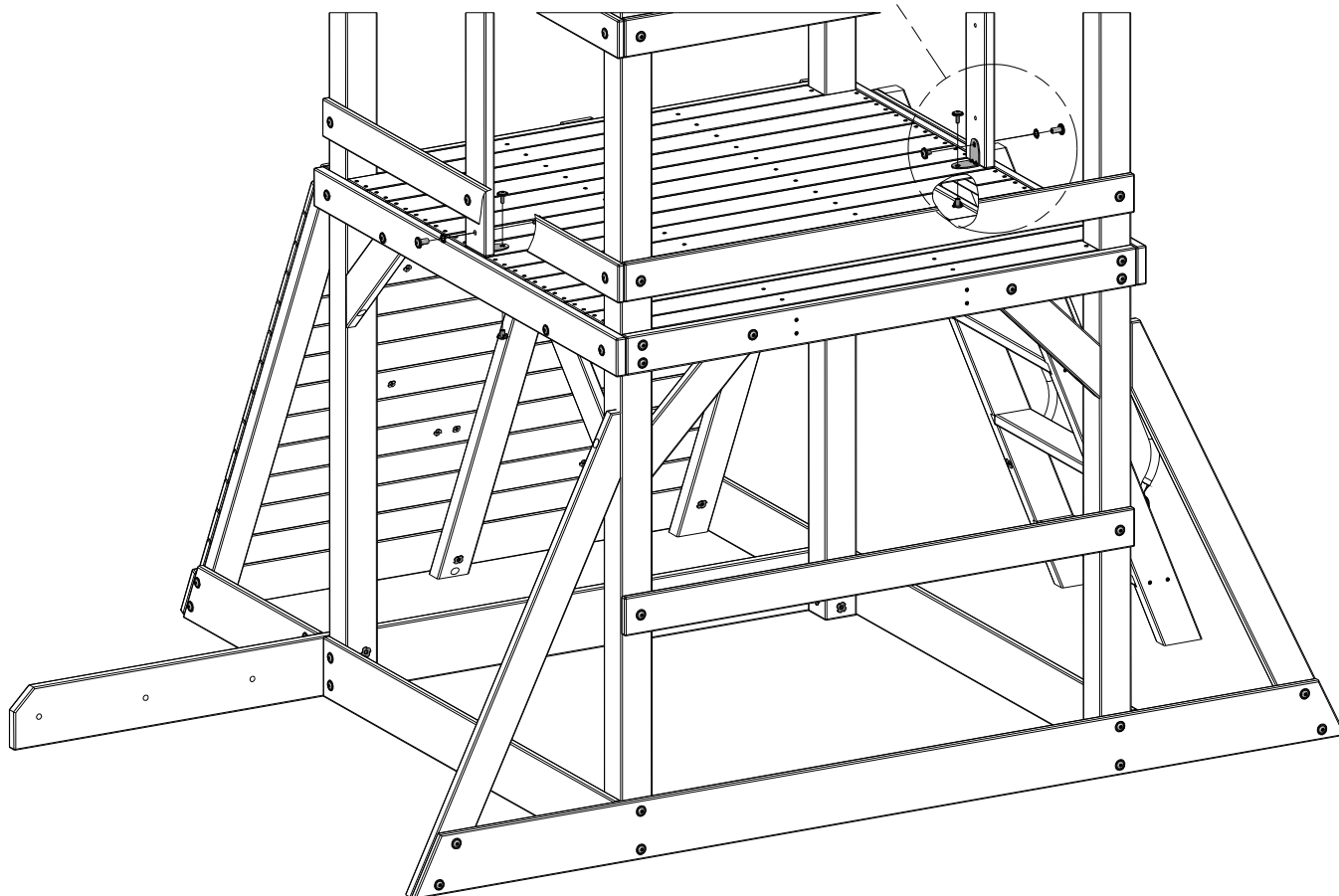
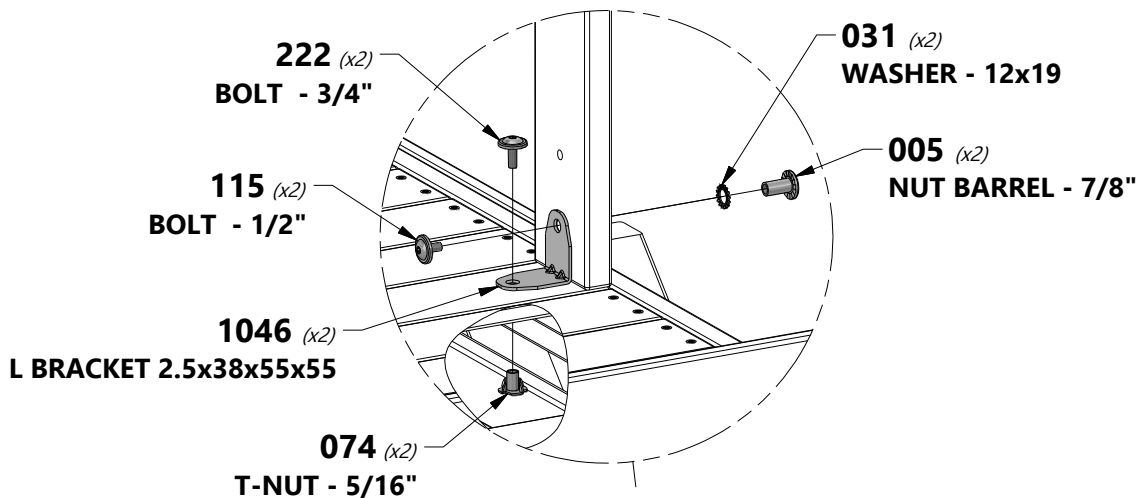
**H100222** | BOLT WH  
(x2) | 5/16x3/4

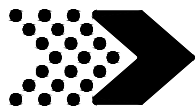


**H100005** | NUT BARREL WH  
(x2) | 5/16x7/8



**H100074** | T-NUT  
(x2) | 5/16

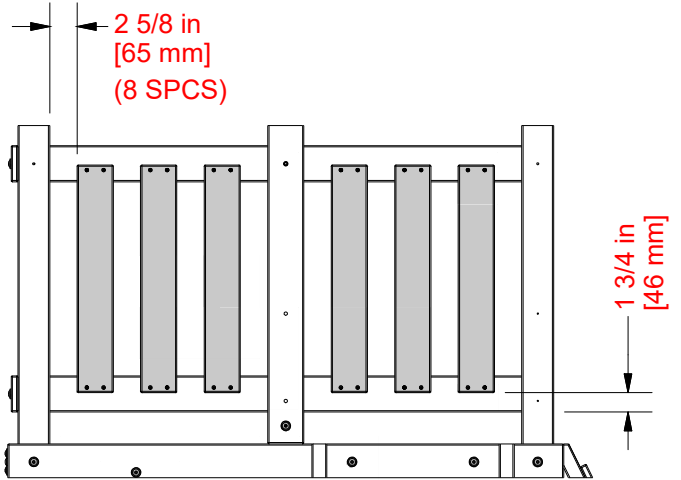
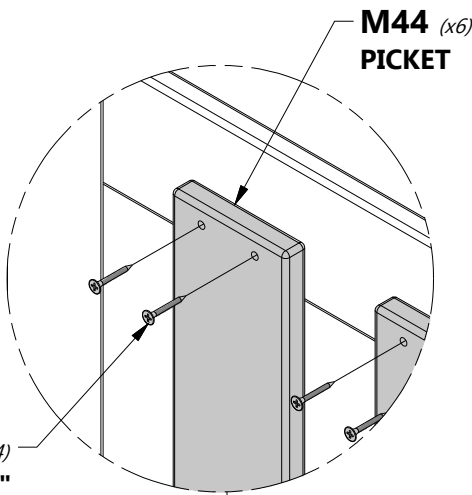




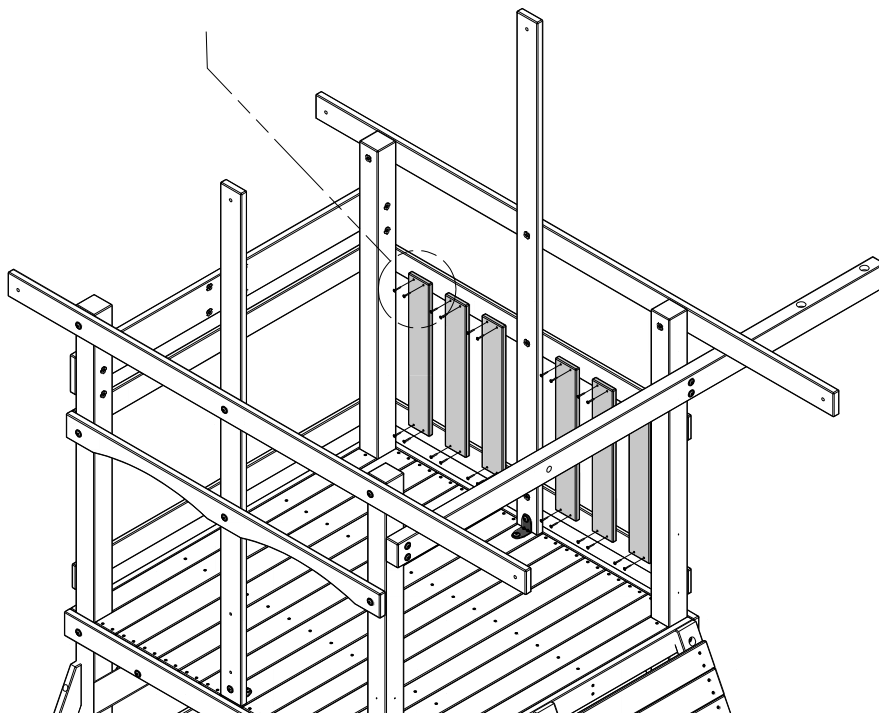
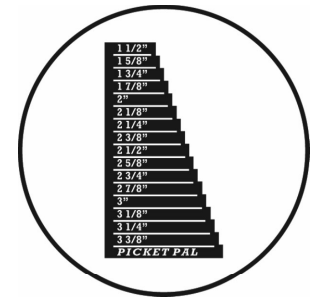
**M44** PICKET - W4L07152  
(x6) | 5/8"x3 3/8"x21 3/8" (16x86x542)

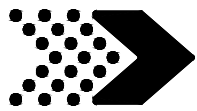


**H100088** SCREW PFH  
(x24) | 8x1 1/8



**PICKET SPACING**

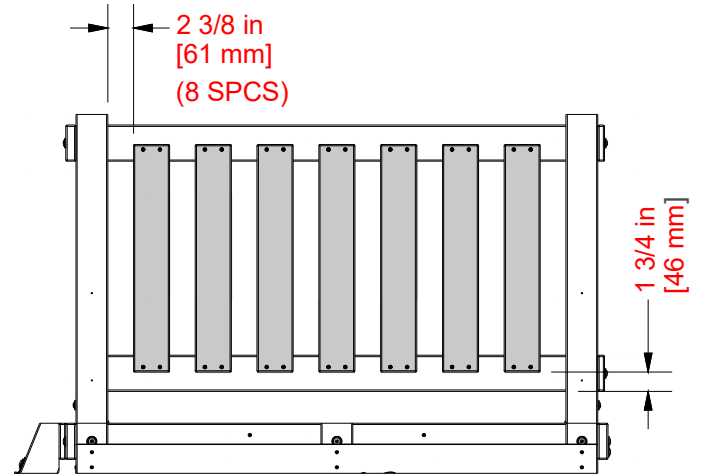




**M44** PICKET - W4L07152  
(x7) | 5/8"x3 3/8"x21 3/8" (16x86x542)

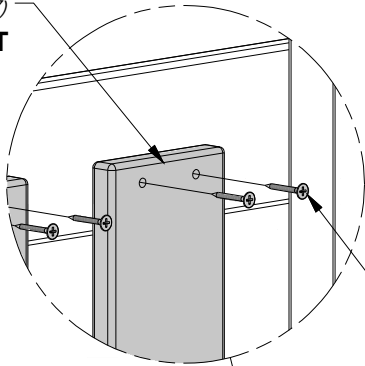


**H100088** SCREW PFH  
(x28) | 8x1 1/8

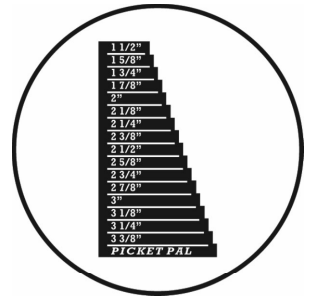
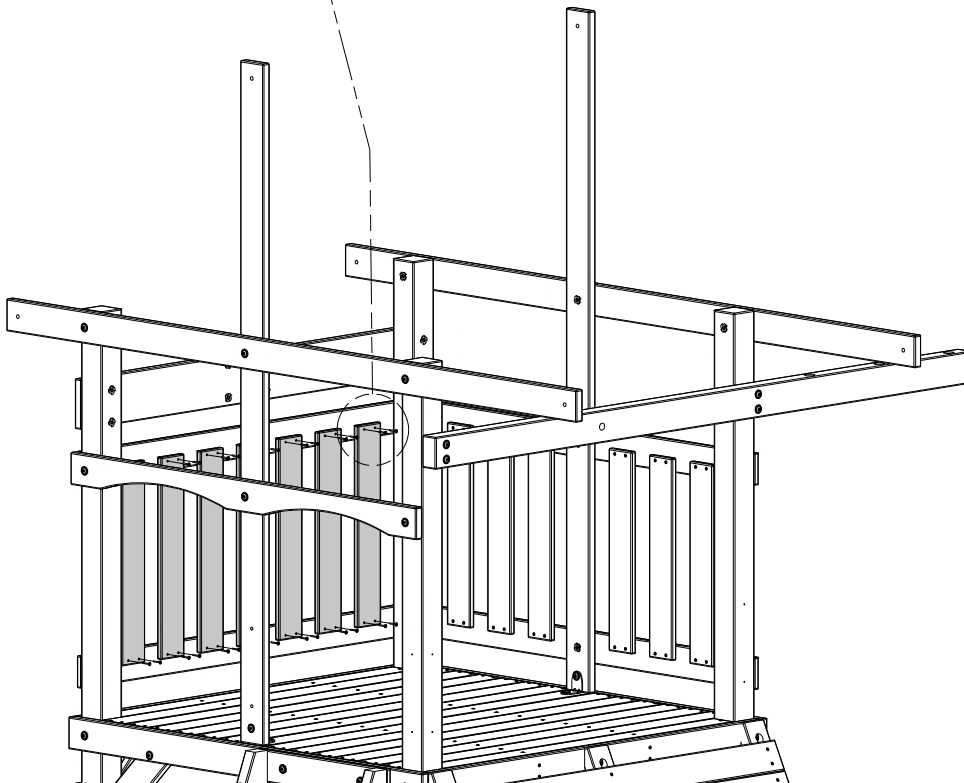


**PICKET SPACING**

**M44** (x7)  
**PICKET**



**088** (x28)  
**SCREW - 1 1/8"**





**H9** | ROOF RAIL - W4L13766  
(x2) | 1"x3 3/8"x50 7/8" (24x86x1291)



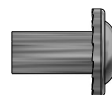
**H10** | ROOF RAIL - W4L13767  
(x1) | 1"x3 3/8"x48 7/8" (24x86x1243)



**A4M01046** | L BRACKET  
(x6) | 2.5x38x55x55



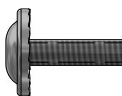
**H100115** | BOLT WH  
(x6) | 5/16x1/2



**H100005** | NUT BARREL WH  
(x6) | 5/16x7/8



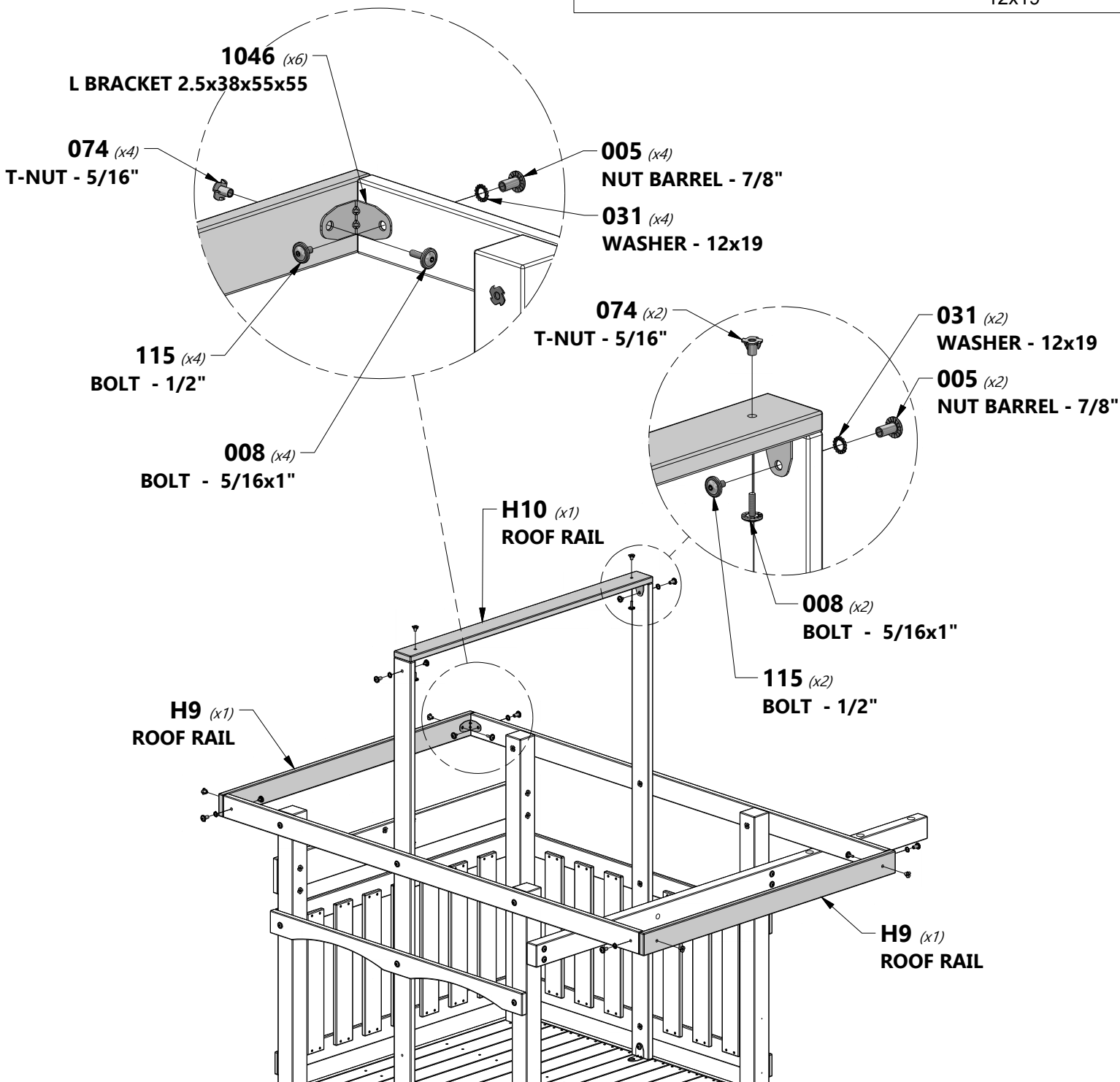
**H100074** | T-NUT  
(x6) | 5/16

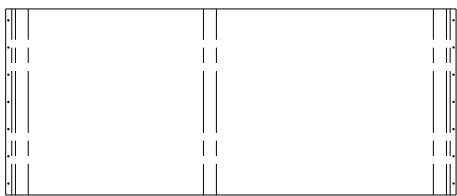


**H100008** | BOLT WH  
(x6) | 5/16x1



**H100031** | WASHER LOCK  
(x6) | EXT  
12x19

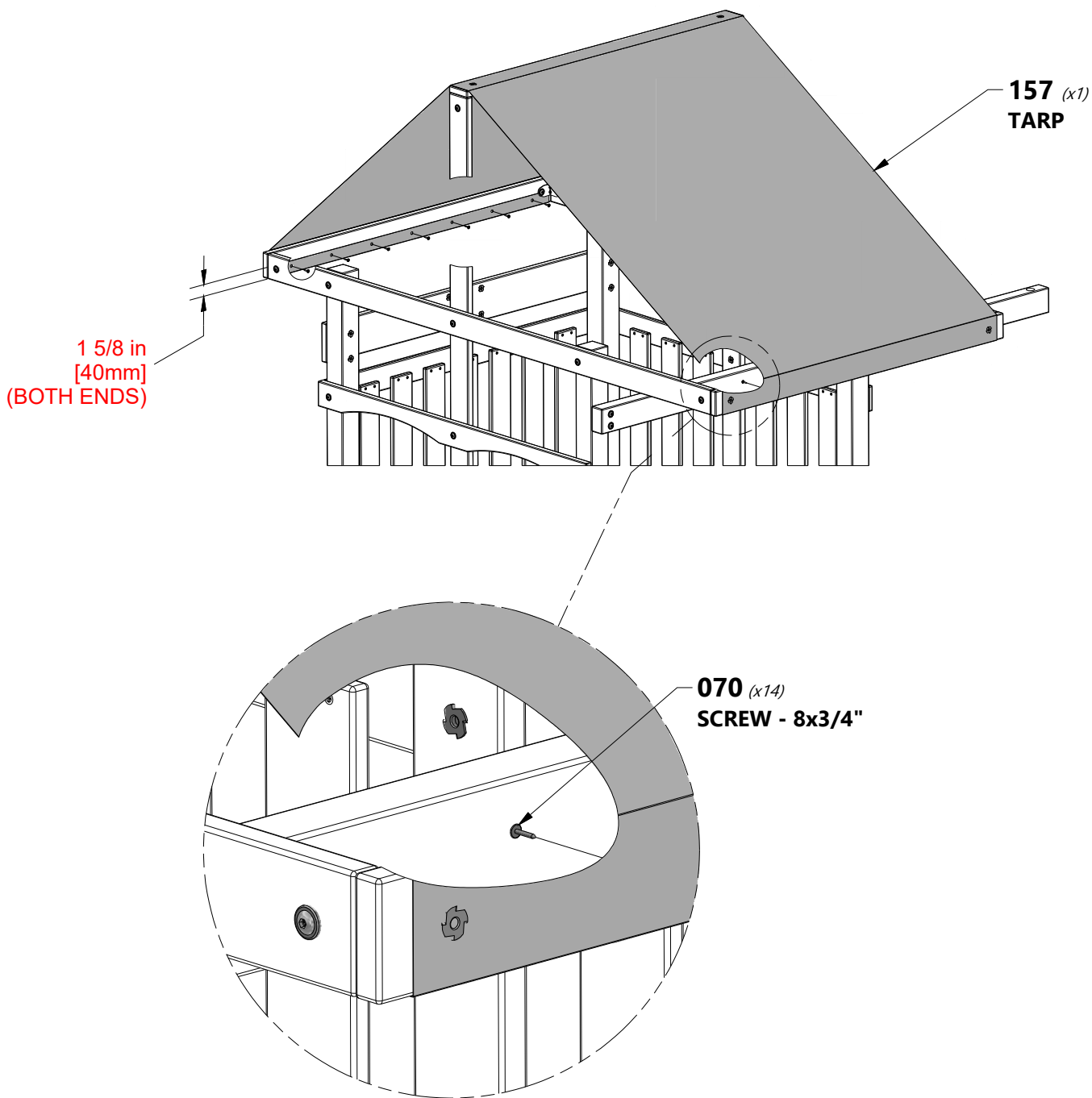




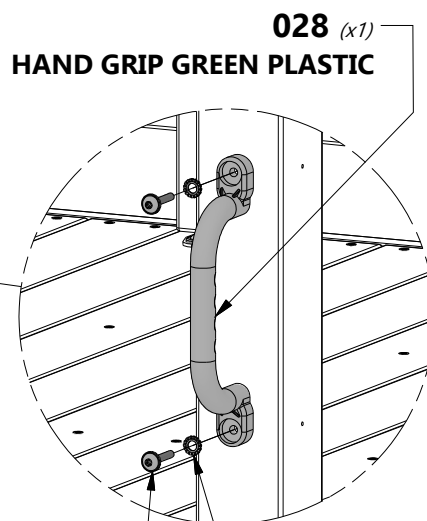
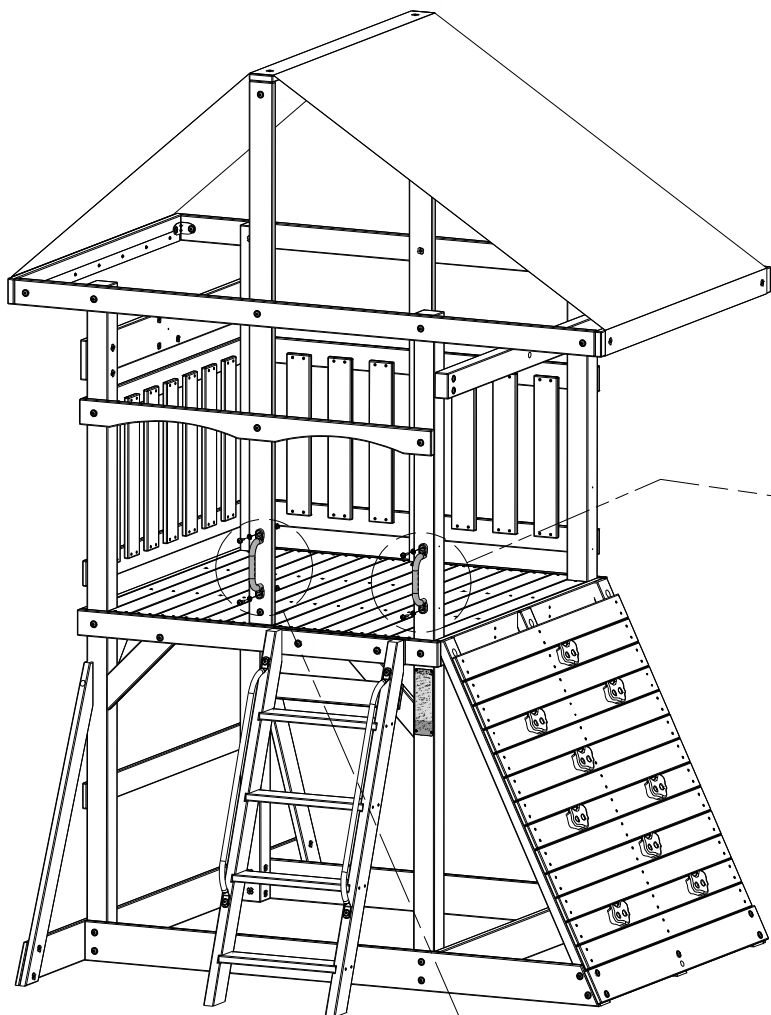
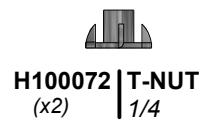
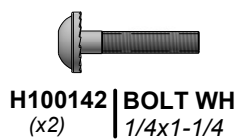
**A6P00157** | TARP  
(x1)



**H100070** | SCREW PWH  
(x14) | 8x3/4

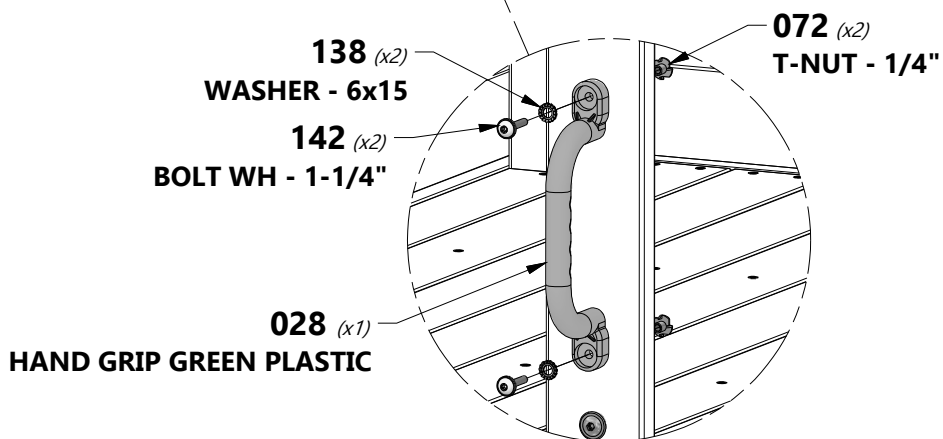






**145 (x2)**  
LAG SCREW - 1 1/2"

**138 (x2)**  
WASHER - 6x15





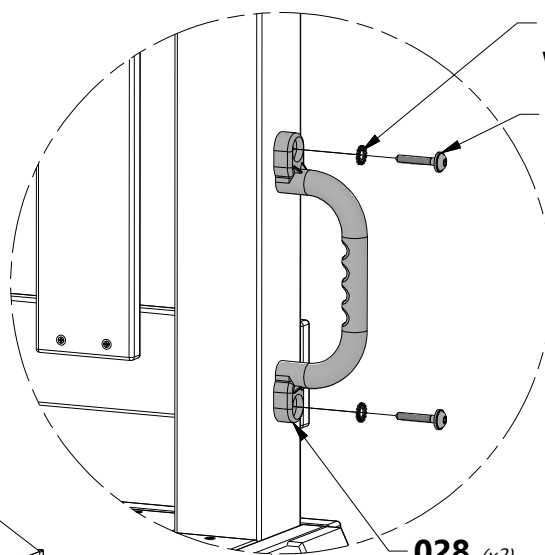
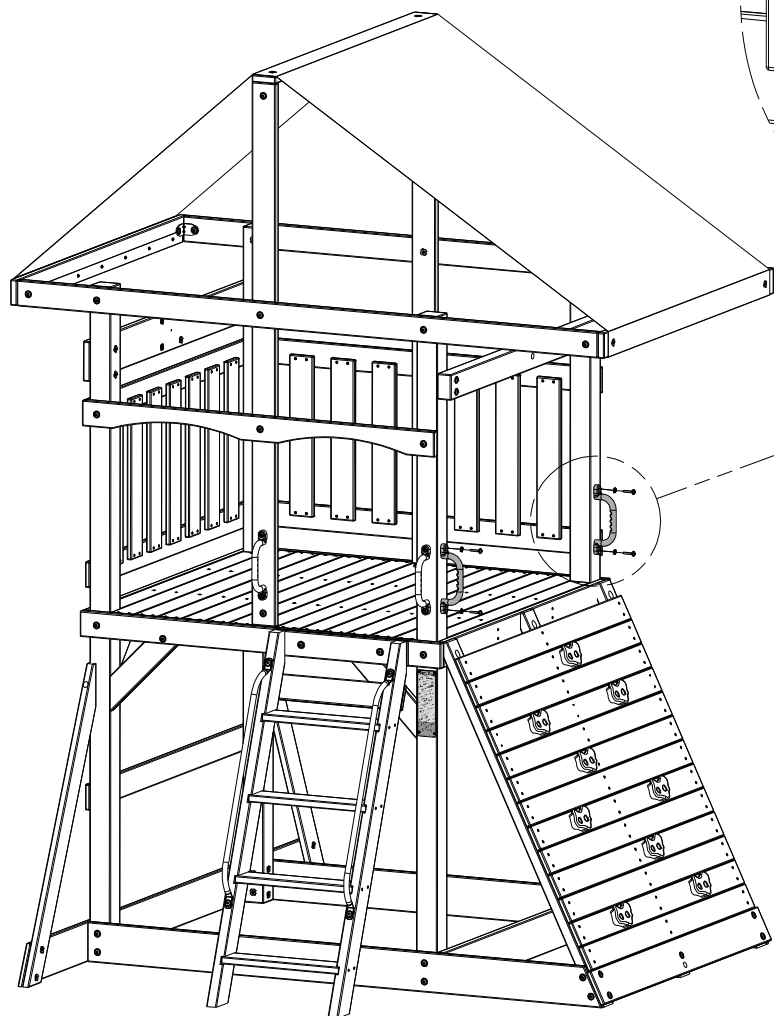
**A100028** | **HAND GRIP GREEN PLASTIC**  
(x2)



**H100145** | **LAG SCREW WH**  
(x4) | 1/4x1 1/2



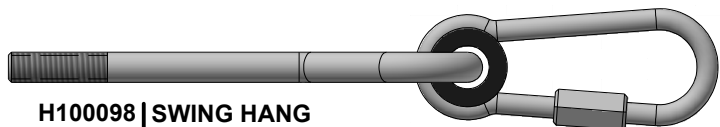
**H100138** | **WASHER LOCK**  
(x4) | **EXT**  
6x15



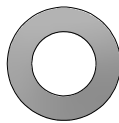
**138** (x2)  
**WASHER - 6x15**

**145** (x2)  
**LAG SCREW - 1 1/2"**

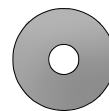
**028** (x2)  
**HAND GRIP GREEN PLASTIC**



**H100098 | SWING HANG**  
(x3) | 5/16x8



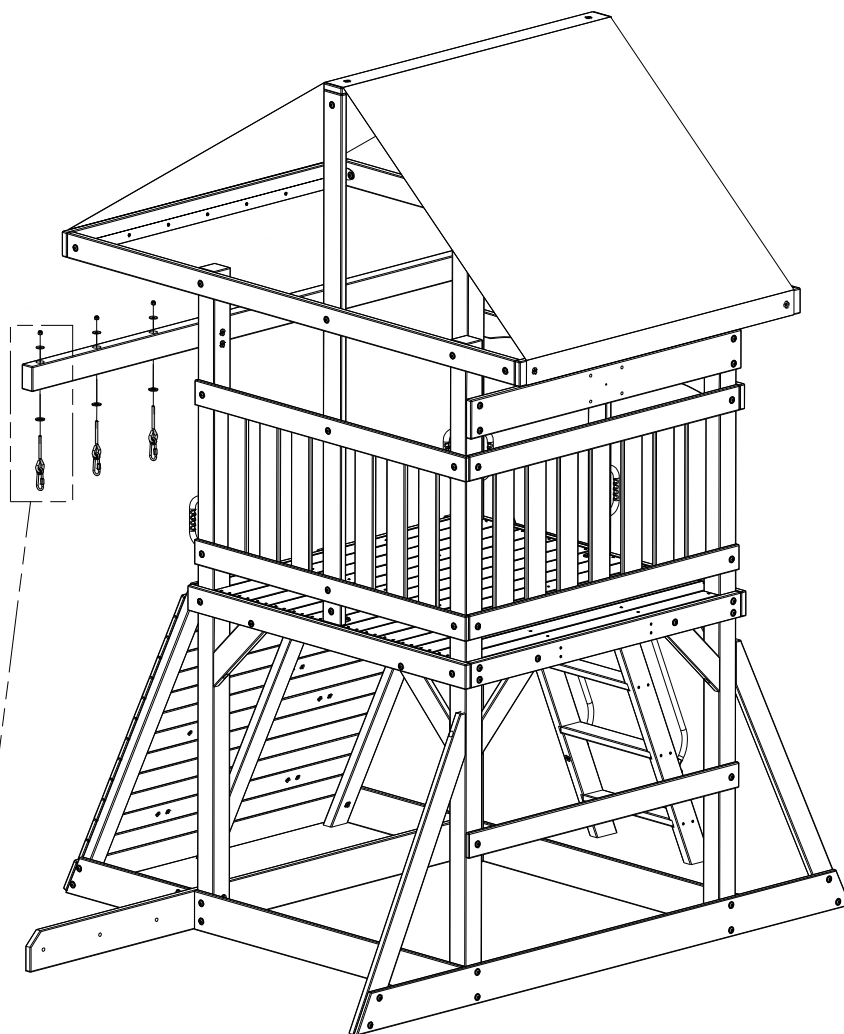
**H100103 | WASHER SAFETY**  
(x3) | 17x30



**H100105 | WASHER FLAT**  
(x3) | 8x27



**H100110 | NUT LOCK**  
(x3) | 5/16

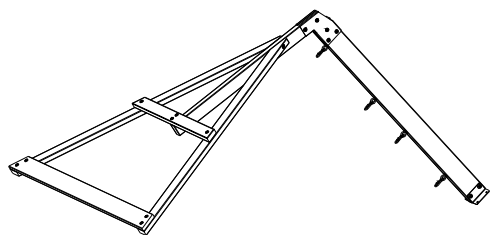


**110 (x3)**  
NUT - 5/16"

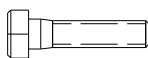
**105 (x3)**  
WASHER - 8x27

**103 (x3)**  
WASHER - 17x30

**098 (x3)**  
SWING - HANGER



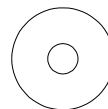
(1) SWING BEAM ASSEMBLY



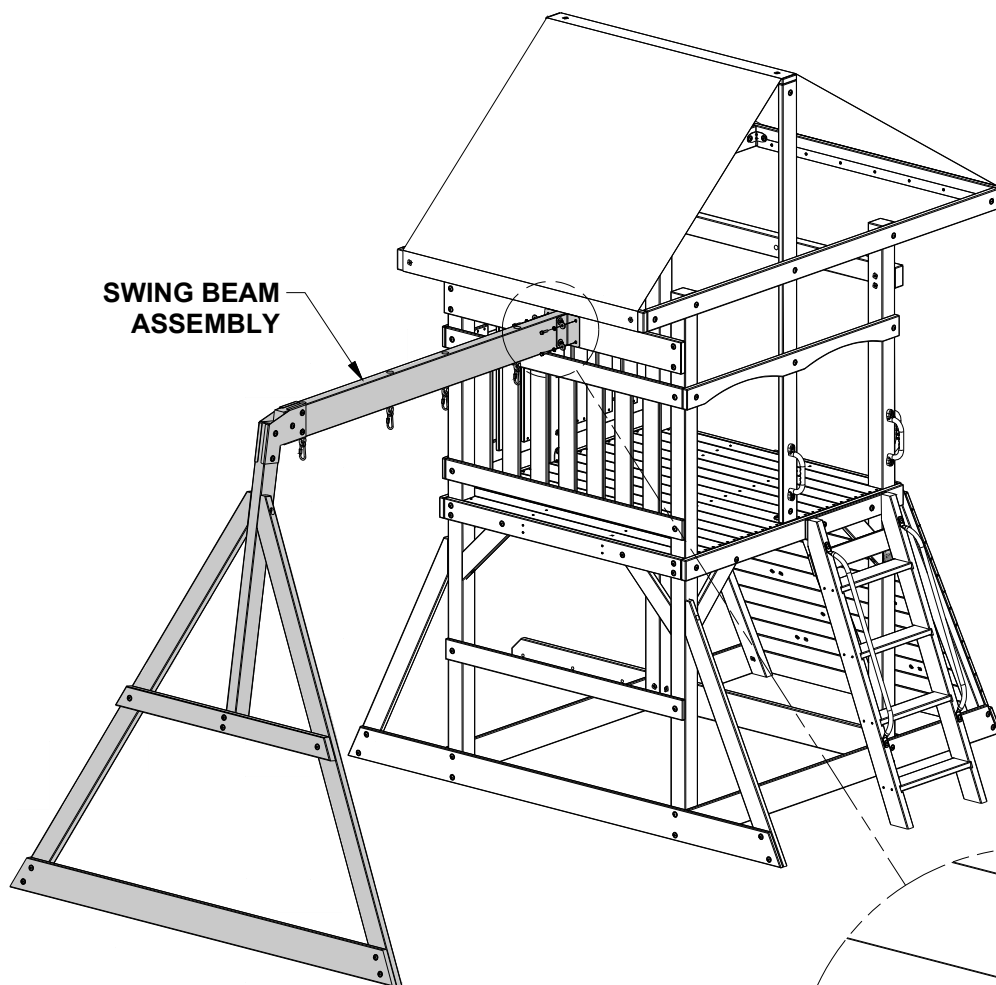
H100042 BOLT HEX  
(x4) 5/16x1 1/4



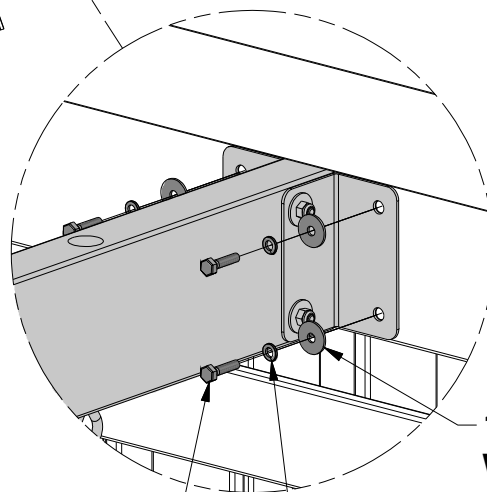
H100095 WASHER SPLIT  
(x4) 5/16



H100105 WASHER FLAT  
(x4) 8x27



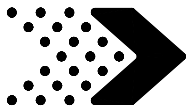
SWING BEAM ASSEMBLY



105 (x4)  
WASHER - 8x27

042 (x4)  
BOLT HEX - 1 1/4"

095 (x4)  
WASHER - 5/16"



# SETUP

# WEB SWING

## WEB SWING SETUP INSTRUCTIONS:

FOLLOW INSTRUCTIONS BELOW BEFORE USING THE WEB SWING.



H100832 | BOLT PTH BLK (with LOCTITE)  
(4) | 1/4x3/4

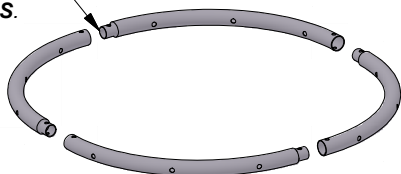


H100831 | NUT BARREL PTH BLK  
(4) | 1/4x3/4

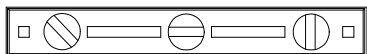
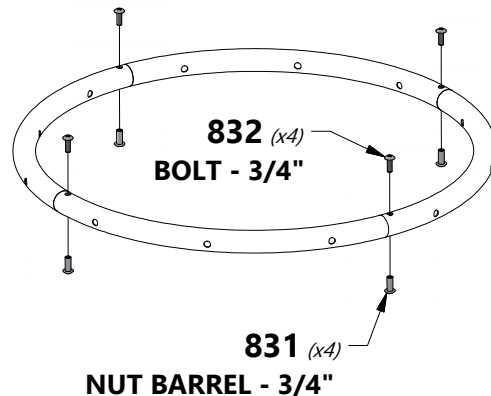


**IMPORTANT:**  
SLIDE ROPE LOOPS OVER TUBE ENDS FIRST!

SLIDE NARROW END OF TUBES INTO LARGER OPENING AFTER SLIDING ROPE LOOPS ONTO TUBES.



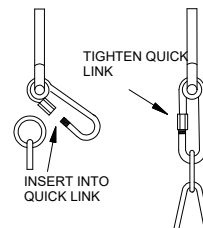
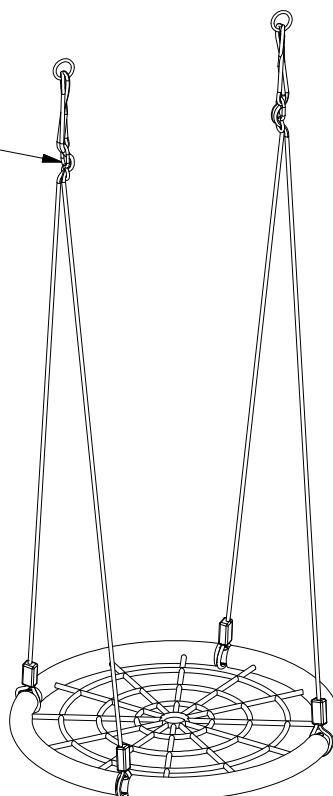
NOTE: ROPE WEBBING NOT SHOWN IN ILLUSTRATION FOR CLARITY.

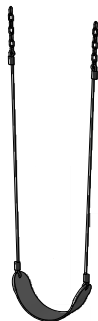


*Note: It is important that the web swing hang level.*

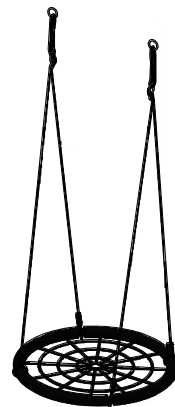


**IMPORTANT**  
TO ENSURE STRAIGHT SWINGING MOTION, ADJUST BOTH "S" BRACKETS UNTIL WEB SEAT IS LEVEL.





A6P00397 (x1) | ROPE-CHAIN GR / SEAT GR 22"

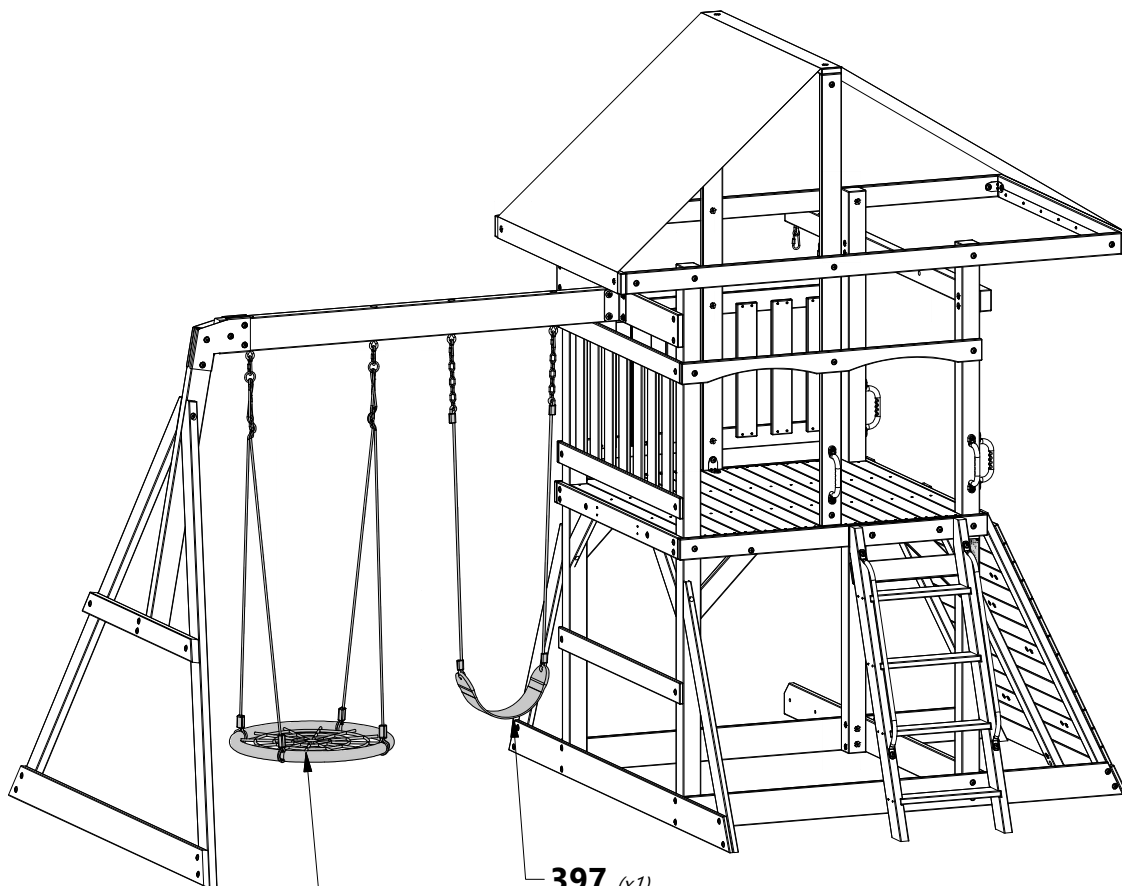
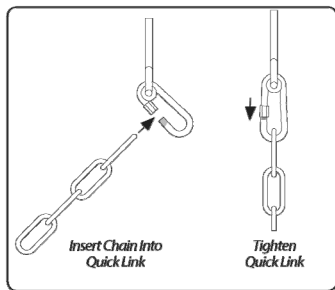


A4M01126 (x1) | 26" WEB SWING



**NOTE:**

WHEN HANGING YOUR SWINGS IT IS RECOMMENDED THAT THE BOTTOM OF THE SWING SEAT, WHEN SITTING ON IT, IS LOCATED NO LOWER THAN (35 cm) 13 7/8 INCHES FROM THE GROUND.

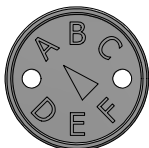


126 (x1) | 26" WEB SWING

397 (x1) | SWING SEAT GREEN 22"



**A100164** | BYD ID TAG (LARGE) AGES 3-10  
(x1)



**A100314** | "A" REVISION TAG  
(x1)

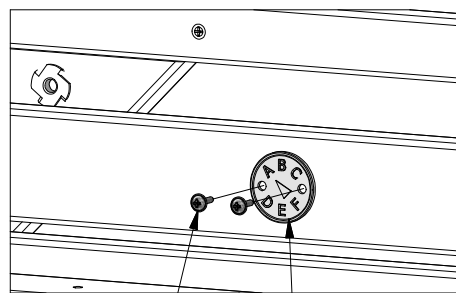


**H100128** | SCREW PWH  
(x2) | 8x5/8



**H100070** | SCREW PWH  
(x4) | 8x3/4

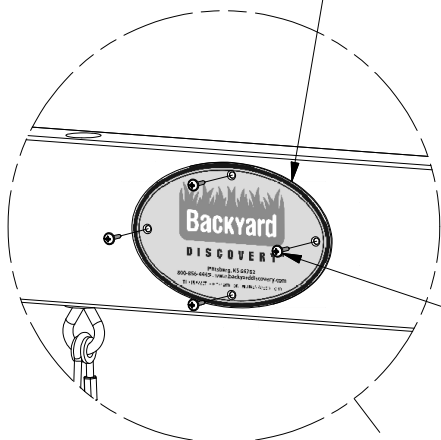
LOCATE THE REVISION TAG UNDER THE DECK ON THE CENTER JOIST.



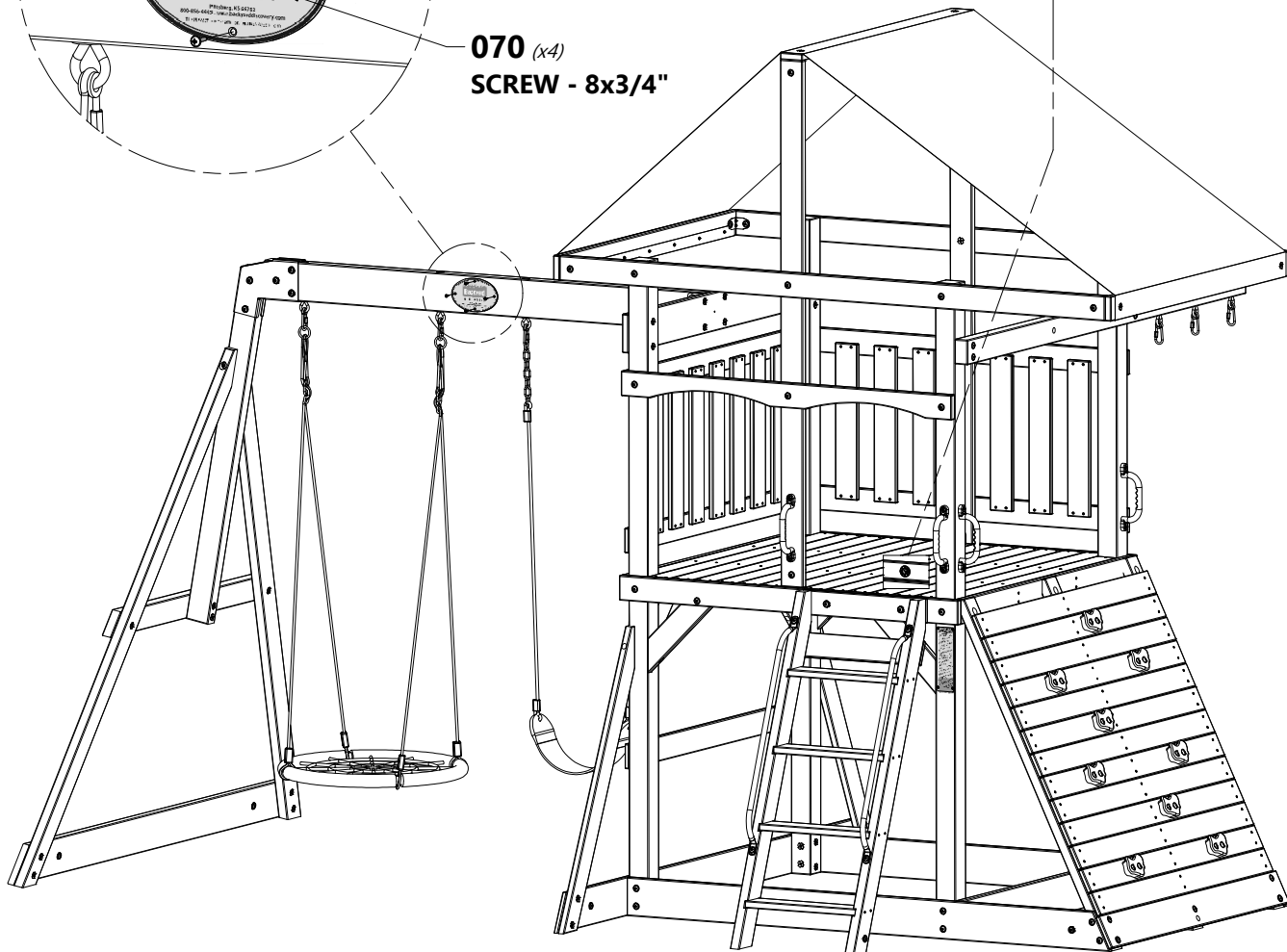
**128** (x2)  
SCREW - 5/8

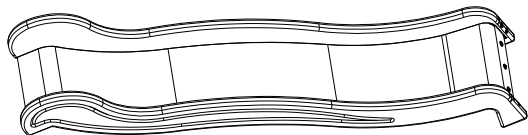
**314** (x1)  
"A" REVISION TAG

**164** (x1)  
BYD ID TAG (LARGE) AGES 3-10



**070** (x4)  
SCREW - 8x3/4"





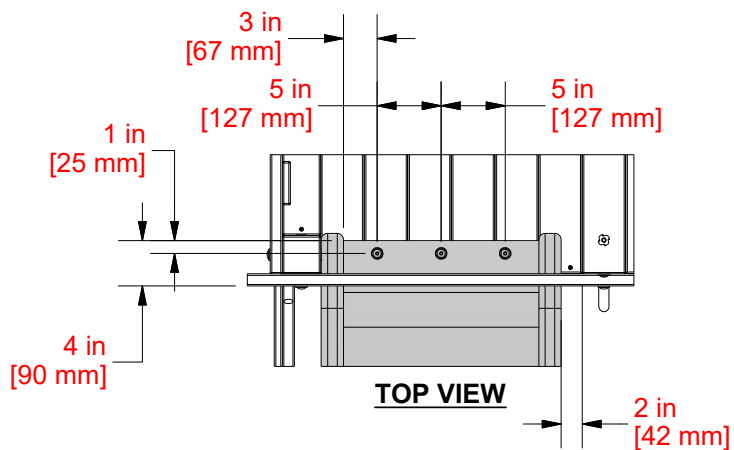
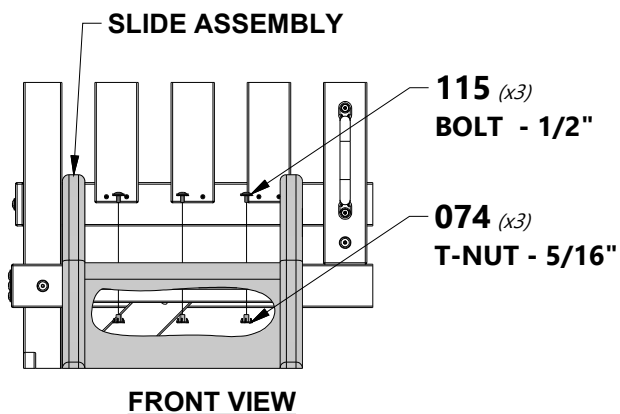
(1) SLIDE ASSEMBLY



H100115 | BOLT WH  
(x3) | 5/16x1/2

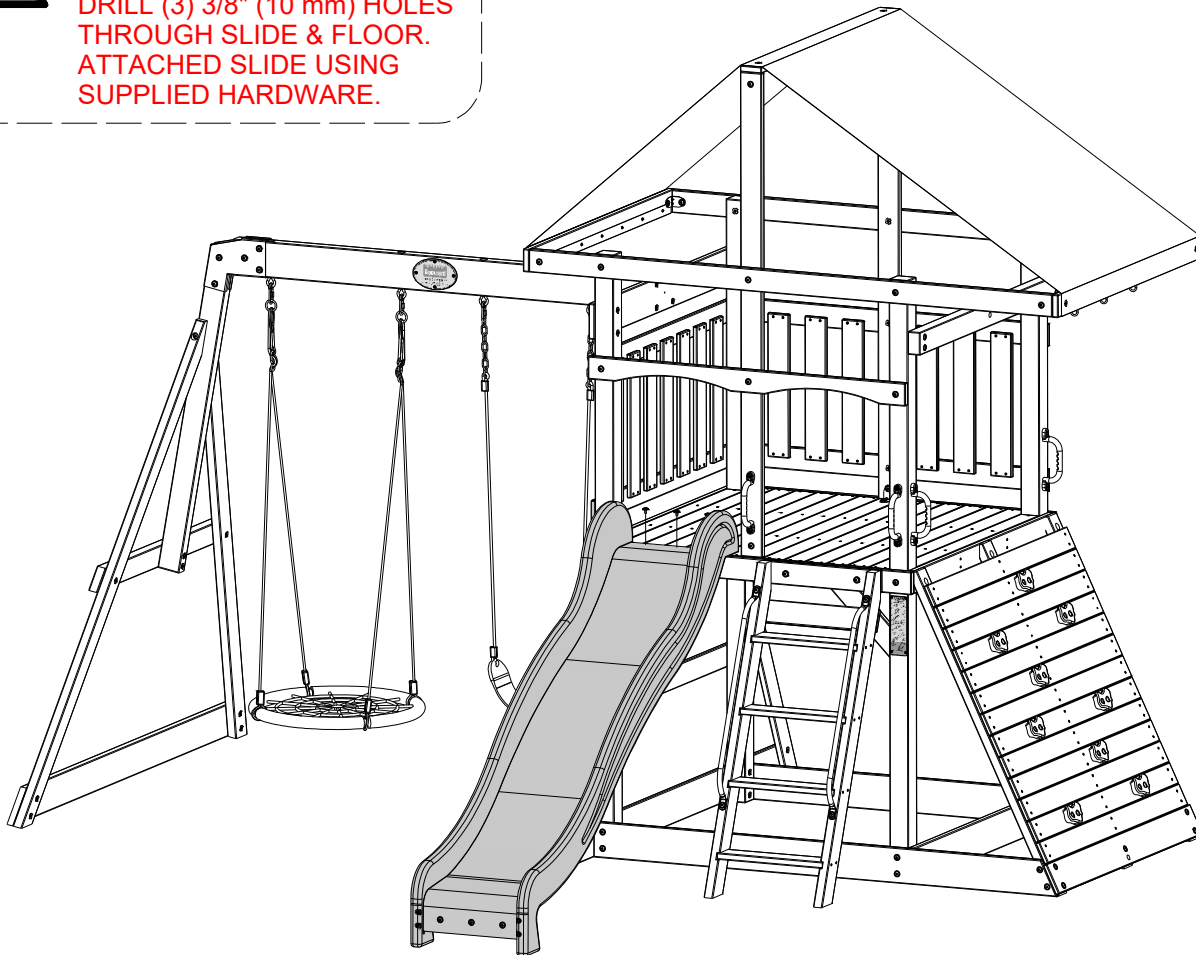


H100074 | T-NUT  
(x3) | 5/16

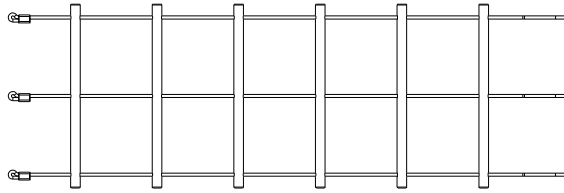
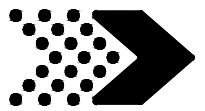


**NOTE:**

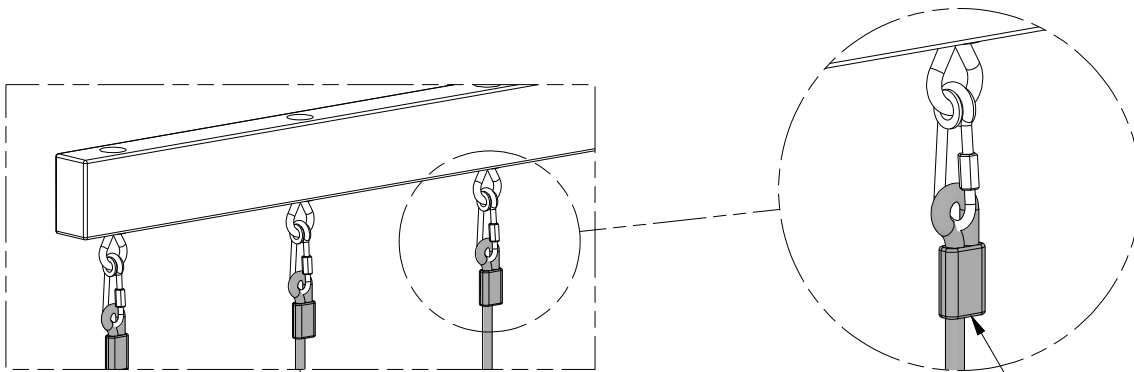
USING DIMENSIONS SHOWN DRILL (3) 3/8" (10 mm) HOLES THROUGH SLIDE & FLOOR. ATTACHED SLIDE USING SUPPLIED HARDWARE.





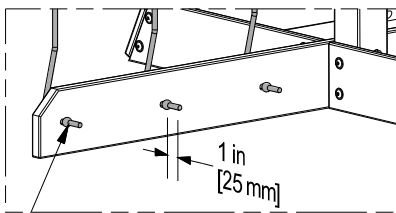


A6P00161  
(x1) ROPE LADDER

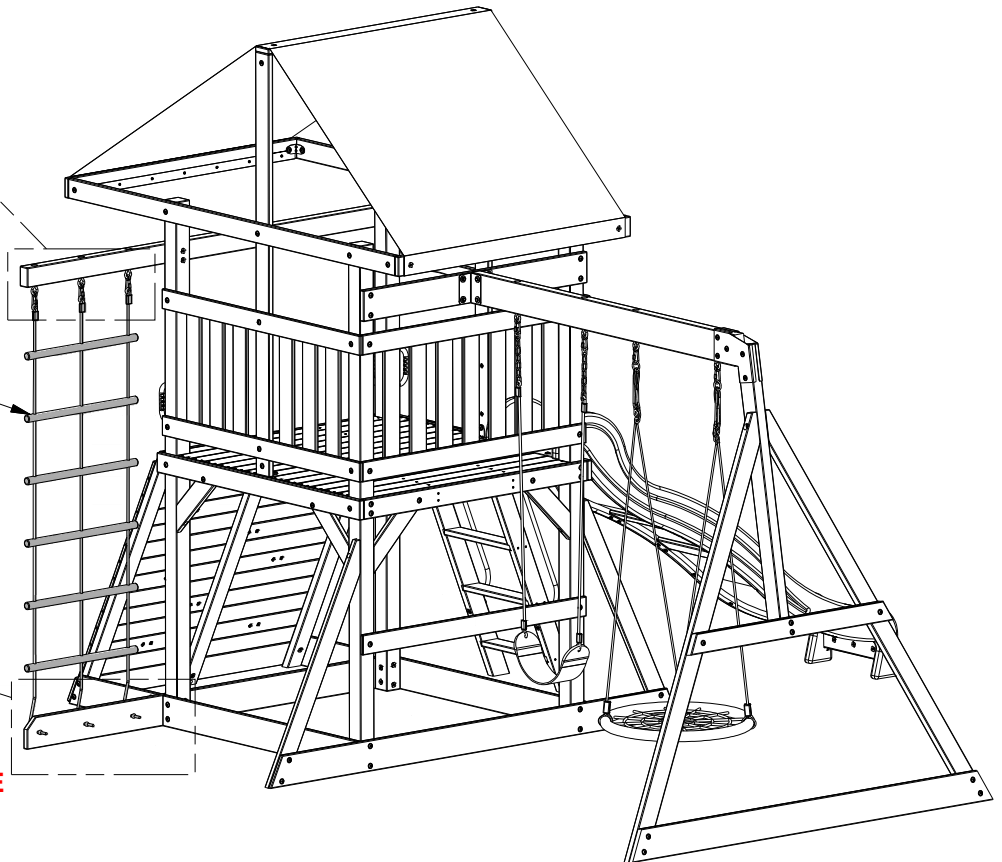


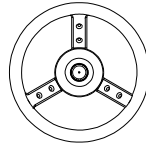
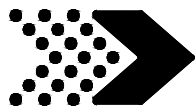
**INSERT THE ROPE LOOPS INTO QUICK LINKS. TIGHTEN QUICK LINKS.**

LADDER ROPE ASSEMBLY

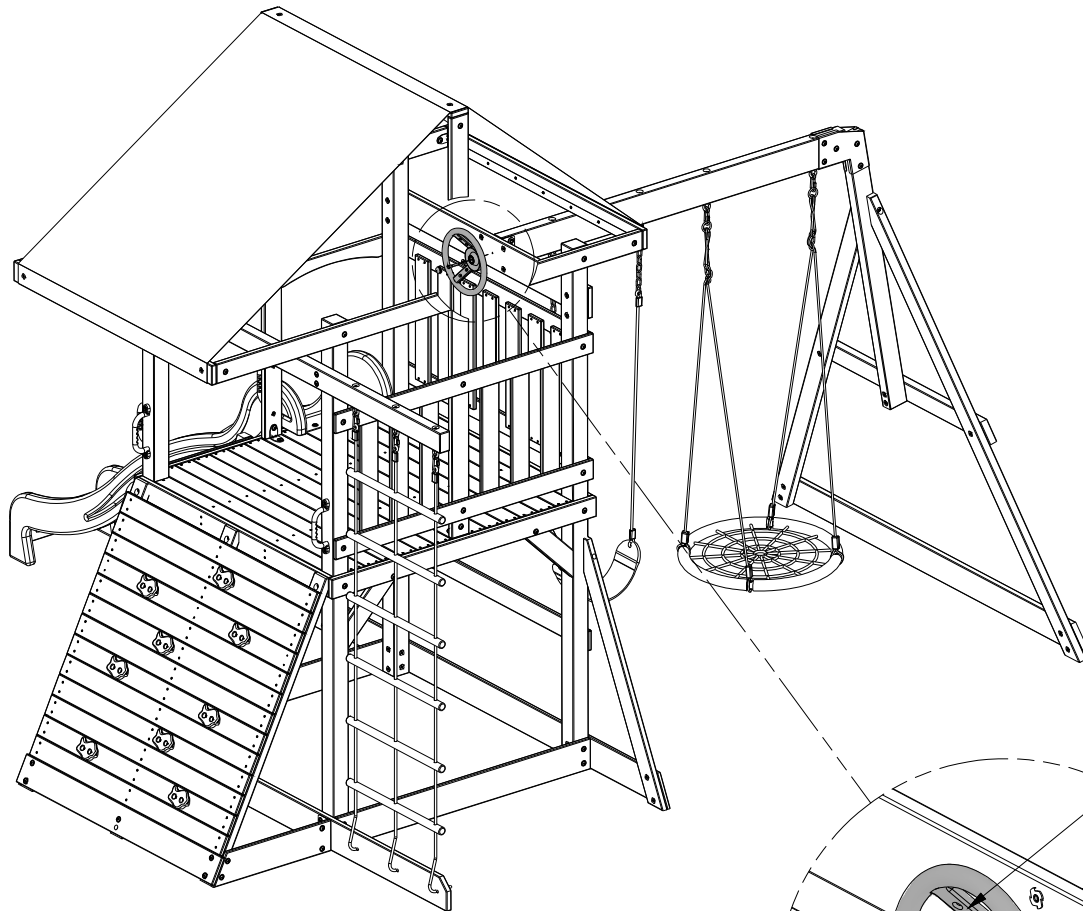


**INSERT THE ROPE ENDS THROUGH THE PRE-DRILLED HOLES. MEASURE APPROXIMATELY 1 INCH UP FROM THE ROPE ENDS AND TIE A KNOT IN EACH ROPE TO SECURE THE ROPE LADDER ASSEMBLY.**





A100107 | STEERING WHEEL  
(x1)

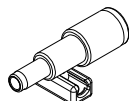


107 (x1)  
STEERING WHEEL

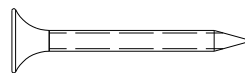
(x1) CENTER CAP  
(INCLUDED WITH STEERING WHEEL)

(x1) LAG SCREW HEX 5/16x2  
(INCLUDED WITH STEERING WHEEL)

(x1) WASHER FLAT OD23xID8.25x2THK  
(INCLUDED WITH STEERING WHEEL)



**A6P00096** | TELESCOPE  
(x1)



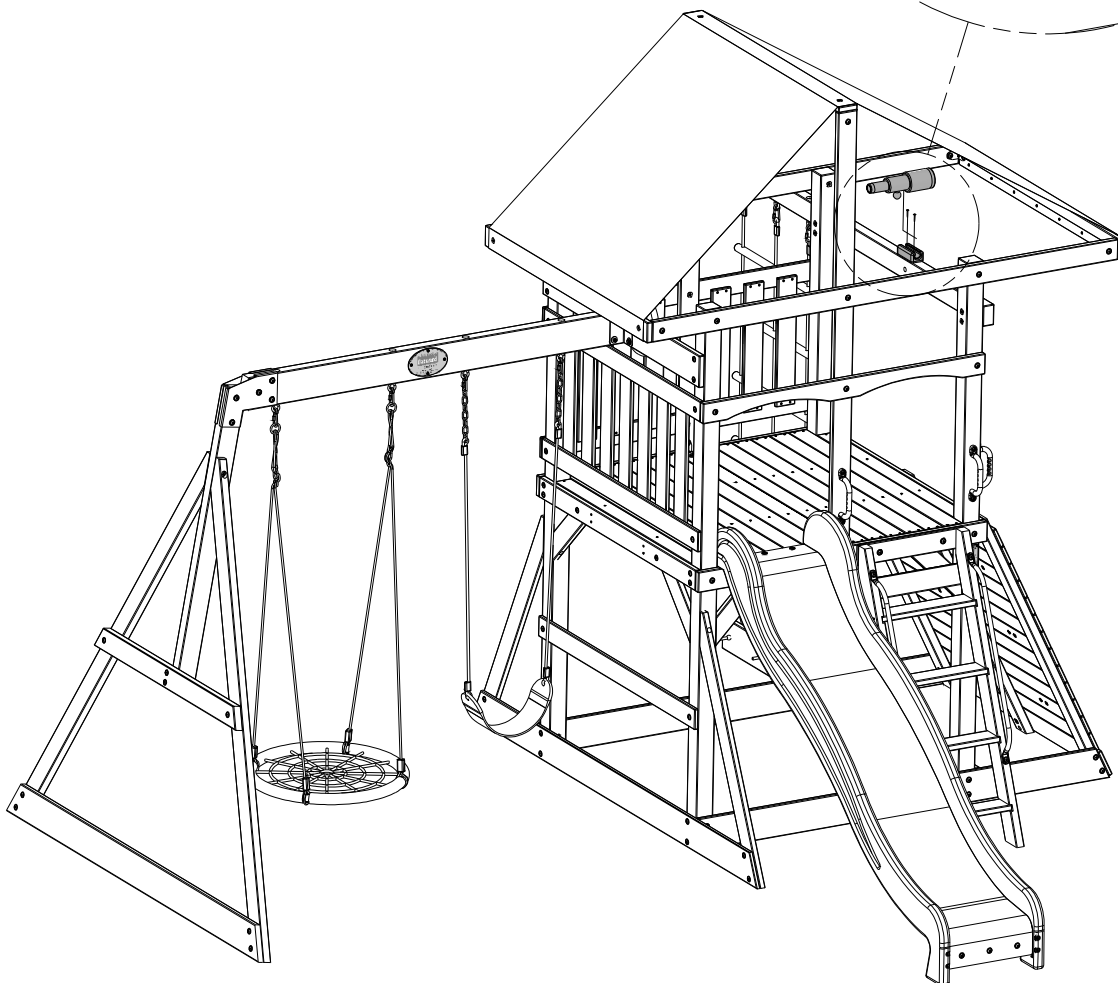
**H100087** | SCREW PFH  
(x2) | 8x1 1/4

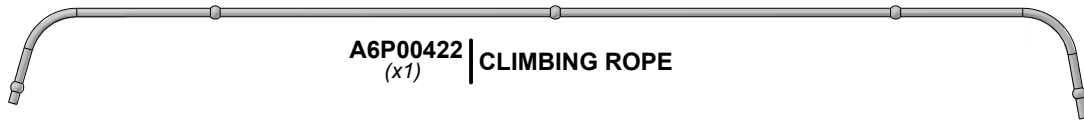
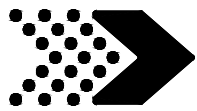


**NOTE:**  
PILOT DRILL, IN DESIRED LOCATION, USING A  
1/8" (3 mm) DRILL BIT.

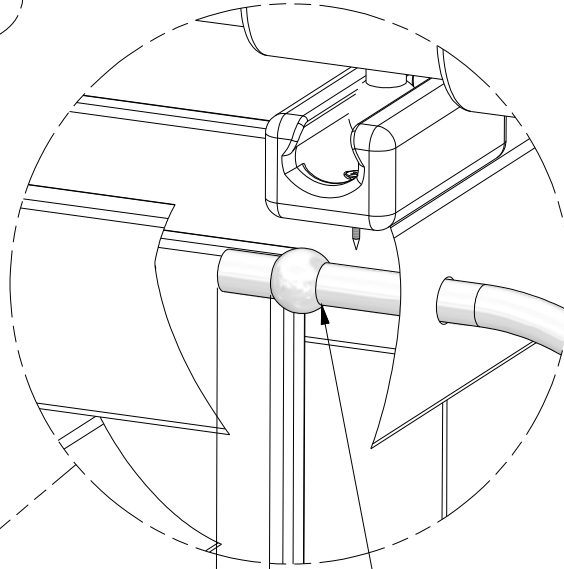
**096** (x1)  
TELESCOPE

**087** (x2)  
SCREW - 1-1/4"



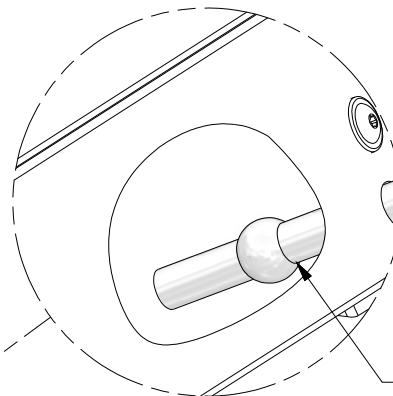
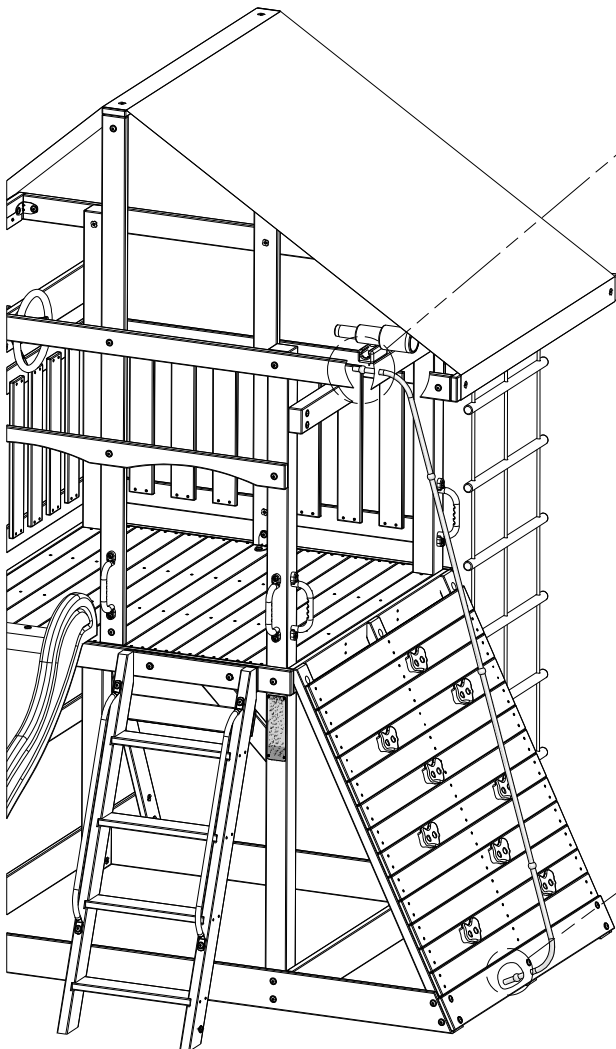


**NOTE:**  
BEFORE ATTACHING ROPE, ADD THREE  
KNOTS EVENLY SPACED



1 in  
[25 mm]

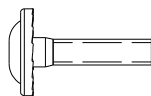
**INSERT THE ROPE END THROUGH  
THE PRE-DRILLED HOLE. MEASURE  
APPROXIMATELY 1 INCH UP FROM  
THE ROPE END AND TIE A KNOT IN  
THE ROPE TO SECURE.**



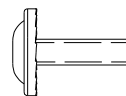
**INSERT THE ROPE END THROUGH  
THE PRE-DRILLED HOLE.  
PULL TIGHT AND TIE A  
KNOT IN THE ROPE TO SECURE.**



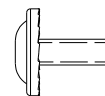
**A100178** | AUGER GROUND STAKE  
(x7)



**H100009** | BOLT WH  
(x1) | 5/16x1 1/4



**H100008** | BOLT WH  
(x2) | 5/16x1



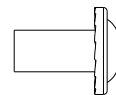
**H100222** | BOLT WH  
(x4) | 5/16x3/4



**H100031** | WASHER LOCK  
(7) | EXT  
12x19



**H100004** | NUT BARREL WH  
(x6) | 5/16 x 5/8



**H100005** | NUT BARREL WH  
(x1) | 5/16x7/8



**NOTE:**

TWIST GROUND STAKE INTO THE GROUND WHERE SHOWN. THEN USING GROUND STAKE AS A GUIDE, DRILL A 7/16" (10mm) HOLE FOR HARDWARE.



**NOTE:**

GROUND STAKE LOCATIONS REPEAT ON OPPOSITE SIDE.

