



MANUFACTURED BY:
Backyard Discovery
3305 Airport Drive, Pittsburg, KS 66762
800-856-4445

Basepoint Business Centre: Rivermead Drive, Westlea, Swindon SN5 7EX Phone: 0800-118-2476
J.P. Coenstraat 7, The Bridge, The Hague, 2595 WP, Netherlands Phone: 0800-567-8990

WOODRIDGE ELITE TIMBER RETREAT

Swing Set

Model # 1801080 or 2300200 & 2200258

The assembly manual must be retained since it contains important information



WARNING

Adult Assembly Required.

Not suitable for children under 36 months due to small parts.

FOR DOMESTIC USE ONLY. INTENDED FOR OUTDOOR USE.



Please visit www.backyarddiscovery.com

For the most up to date assembly manual, to register your set, or to order replacement parts

Para obtener instrucciones en español, visite www.backyarddiscovery.com



**EASY STEP-BY-STEP
3D INTERACTIVE INSTRUCTIONS**

DOWNLOAD THE FREE APP



Made in China

INS-1801080 or 2300200-A-WOODRIDGE ELITE-ENG 8-24-2023

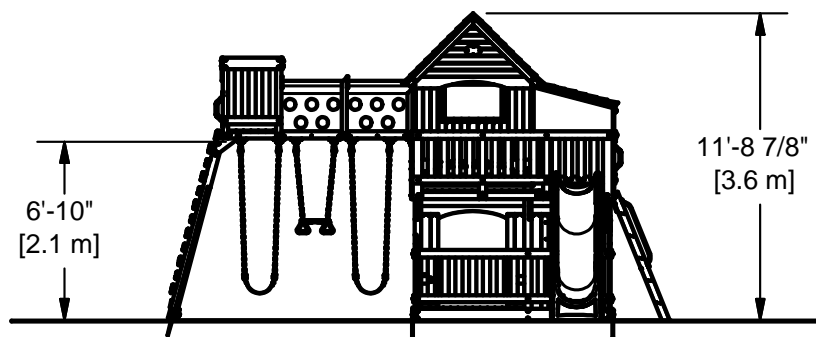
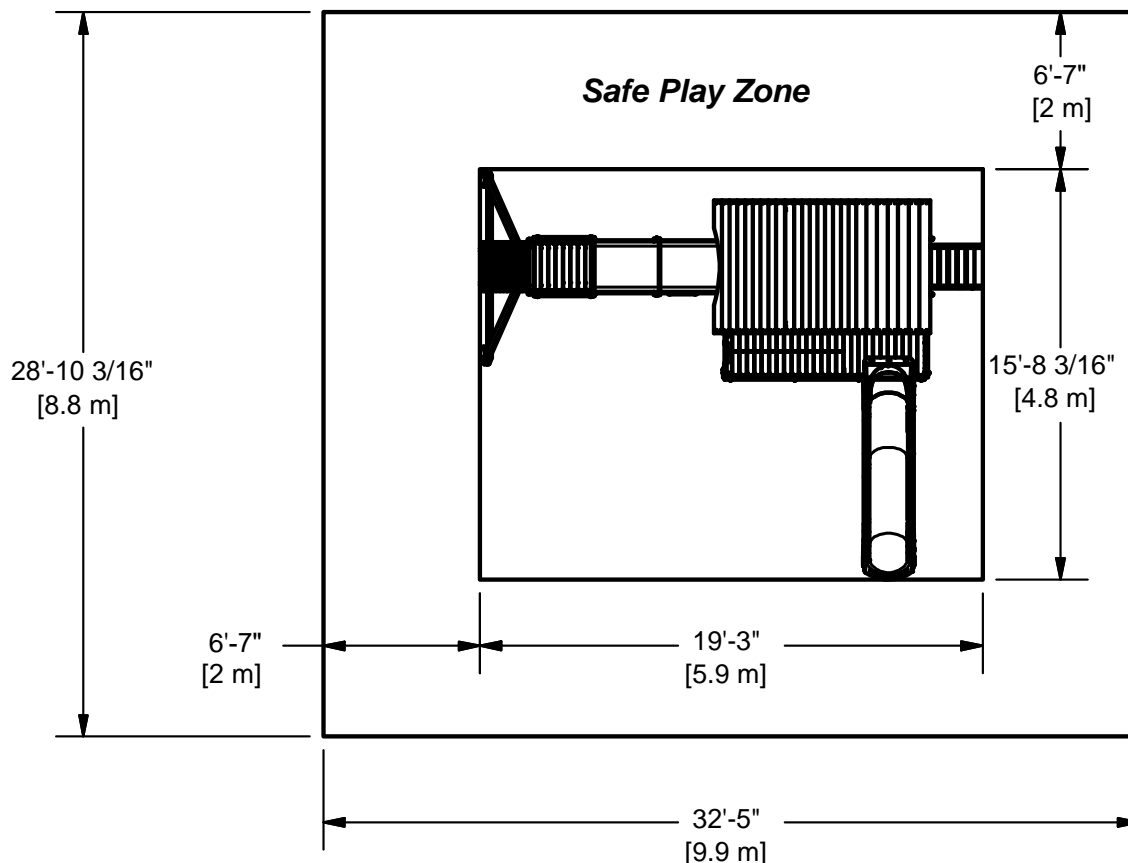
INS-2200258-A-TIMBER RETREAT-ENG 8-24-2023

Owner's Manual - Basic Setup Dimensions & Assembly Notes

Place the set on level ground, not less than 6'-7" [2 m] from any structure or obstruction such as a fence, garage, house, overhanging branches, laundry lines, or electrical wires.

- While assembling unit, take time before and after each phase to make sure fort is level. If fort is not level, assembly will be difficult and improper assembly may result. Extra care must be taken to insure the fort is square.
- The safe play area refers to a zone extending 6'-7" (2 m) beyond the play product on all sides, including the space above the play product.

SAFE PLAY AREA DIAGRAM



Safe play height: 18'-3 7/8" [5.6 m]
Maximum fall height: 6'-10" [2.1 m]

General Information:

Your set has been designed and engineered for children only and for residential use only. A maximum of 150 lbs. per child is recommended for play activities designed for individual use. A maximum of 120 lbs. per child is recommended for play activities designed for multiple child use. A maximum of 9 children is recommended for this swing set.

Parts Identification

Wood Components

(NOT TO SCALE)



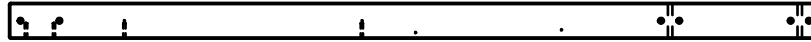
- (1) **B1 - SWING BEAM - W4L09091**
3"x3"x89 1/2" (76x76x2274)



- (1) **B2 - SWING BEAM - W4L09090**
3"x3"x89 1/2" (76x76x2274)



- (1) **B3 - POST - W4L11178**
3"x3"x70 3/8" (76x76x1786)



- (1) **B4 - POST - W4L11179**
3"x3"x70 3/8" (76x76x1786)



- (1) **B5 - POST - W4L11180**
3"x3"x59" (76x76x1500)



- (1) **B6 - POST - W2A02493**
3"x3"x59" (76x76x1500)



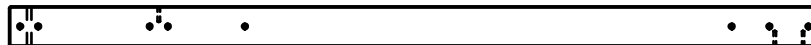
- (1) **E1 - FLOOR SUPPORT - W4L09077**
1 3/8"x3 3/8"x92" (36x86x2336)



- (2) **E2 - LADDER RAIL - W4L09100**
1 3/8"x3 3/8"x89 1/4" (36x86x2266)



- (2) **E3 - BRACE - W4L09103**
1 3/8"x3 3/8"x72 5/8" (36x86x1845)



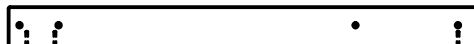
- (1) **E4 - UPRIGHT - W4L11181**
1 3/8"x3 3/8"x70 3/8" (36x86x1786)



- (1) **E5 - UPRIGHT - W4L11182**
1 3/8"x3 3/8"x70 3/8" (36x86x1786)



- (2) **E6 - UPRIGHT - W4L11183**
1 3/8"x3 3/8"x41" (36x86x1040)



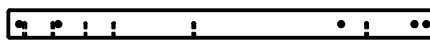
- (2) **E7 - UPRIGHT - W4L11184**
1 3/8"x3 3/8"x41" (36x86x1040)



- (1) **E77 - LEFT UPRIGHT - W4L11414**
1 3/8"x3 3/8"x64 3/8" (36x86x1634)



- (1) **E78 - RIGHT UPRIGHT - W4L11415**
1 3/8"x3 3/8"x64 3/8" (36x86x1634)

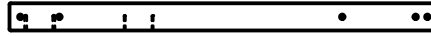


- (2) **F1 - UPRIGHT - W4L11185**
1 3/8"x2 3/8"x37" (36x60x940)

Parts Identification

Wood Components

(NOT TO SCALE)



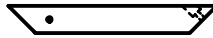
- (2) **F2 - UPRIGHT - W4L11186**
1 3/8"x2 3/8"x37" (36x60x940)



- (2) **F3 - UPRIGHT - W4L09093**
1 3/8"x2 3/8"x28 1/4" (36x60x716)



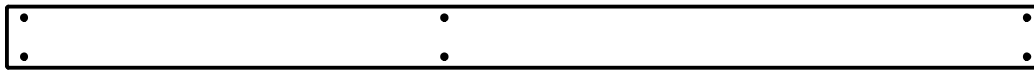
- (2) **F4 - UPRIGHT - W4L09063**
1 3/8"x2 3/8"x23 1/8" (36x60x586)



- (3) **F5 - BRACE - W4L11187**
1 3/8"x2 3/8"x18 1/8" (36x60x460)



- (2) **F6 - BRACE - W4L11632**
1 3/8"x2 3/8"x18 1/8" (36x60x460)



- (2) **G1 - GROUND BOARD - W4L09084**
1"x5 1/4"x90 1/8" (24x134x2288)



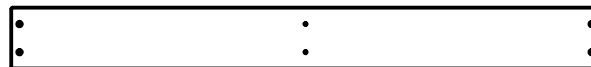
- (1) **G2 - GROUND BOARD - W4L09104**
1"x5 1/4"x89 1/2" (24x134x2274)



- (1) **G3 - GROUND BOARD - W4L09087**
1"x5 1/4"x78 1/4" (24x134x1987)



- (1) **G4 - GROUND BOARD - W4L09086**
1"x5 1/4"x78 1/4" (24x134x1987)



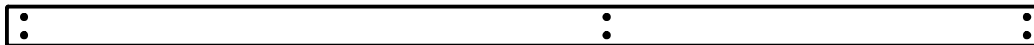
- (1) **G5 - GROUND BOARD - W4L09089**
1"x5 1/4"x51 1/8" (24x134x1298)



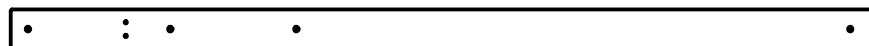
- (1) **G6 - FLOOR JOIST - W4L11188**
1"x5 1/4"x49 1/2" (24x134x1256)



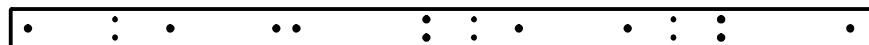
- (1) **G7 - SEAT - W4L11189**
1"x5 1/4"x49 7/8" (24x134x1266)



- (1) **H1 - FLOOR SUPPORT - W4L09076**
1"x3 3/8"x90 1/8" (24x86x2288)



- (1) **H2 - FLOOR SUPPORT - W4L09066**
1"x3 3/8"x75 3/8" (24x86x1914)



- (1) **H3 - FLOOR SUPPORT - W4L09078**
1"x3 3/8"x75 3/8" (24x86x1914)



- (1) **H4 - FLOOR SUPPORT - W4L11190**
1"x3 3/8"x74 3/8" (24x86x1890)

Parts Identification

Wood Components

(NOT TO SCALE)



- (2) **H5 - FLOOR SUPPORT - W4L09073**
1"x3 3/8"x53 3/4" (24x86x1366)



- (2) **H6 - FLOOR JOIST - W4L11191**
1"x3 3/8"x53 3/4" (24x86x1366)



- (1) **H7 - FLOOR SUPPORT - W4L09069**
1"x3 3/8"x53 3/4" (24x86x1366)



- (1) **H8 - FLOOR SUPPORT - W4L09064**
1"x3 3/8"x53" (24x86x1346)



- (1) **H9 - FLOOR SUPPORT - W4L09072**
1"x3 3/8"x53" (24x86x1346)



- (1) **H10 - SUPPORT BOARD - W4L09062**
1"x3 3/8"x53" (24x86x1346)



- (4) **H11 - ROOF RAFTER - W4L11192**
1"x3 3/8"x43 7/8" (24x86x1114)



- (1) **H12 - WALL RAIL - W4L09057**
1"x3 3/8"x38 3/4" (24x86x983)



- (1) **H13 - WALL RAIL - W4L09049**
1"x3 3/8"x36 1/4" (24x86x922)



- (1) **H14 - FLOOR SUPPORT - W4L11193**
1"x3 3/8"x35 3/8" (24x86x898)



- (3) **H15 - FLOOR JOIST - W4L11194**
1"x3 3/8"x35 3/8" (24x86x898)



- (1) **H16 - WALL RAIL - W4L09053**
1"x3 3/8"x26 1/4" (24x86x668)



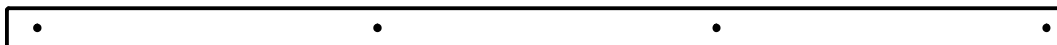
- (1) **H17 - WALL RAIL - W4L09052**
1"x3 3/8"x23 3/4" (24x86x604)



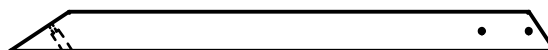
- (1) **H18 - SEAT - W4L11195**
1"x3 3/8"x49 7/8" (24x86x1266)



- (1) **H19 - SUPPORT BOARD - W4L11196**
1"x3 3/8"x5 1/4" (24x86x132)



- (1) **H20 - WALL RAIL - W4L09051**
1"x3 3/8"x92" (24x86x2336)



- (2) **H21 - ANGLE BRACE - W4L11112**
1"x3 3/8"x47 1/4" (24x86x1201)

Parts Identification

Wood Components

(NOT TO SCALE)



- (1) **H22 - WALL RAIL - W4L09050**
1"x3 3/8"x78" (24x86x1982)



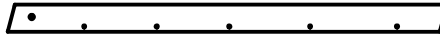
- (2) **H23 - SUPPORT BOARD - W4L11452**
1"x3 3/8"x6 1/4" (24x86x160)



- (1) **H24 - FLOOR JOIST - W4L11451**
1"x3 3/8"x53 3/4" (24x86x1366)



- (5) **H76 - LADDER RUNG - W4L06609**
1"x3 3/8"x18 1/8" (24x86x460)



- (2) **J1 - PORCH RAFTER - W4L11197**
1"x2 3/8"x38 1/8" (24x60x969)



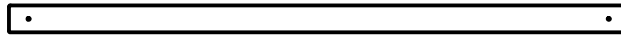
- (1) **J2 - SAFETY RAIL - W4L09075**
1"x2 3/8"x52 1/4" (24x60x1326)



- (1) **J3 - SAFETY RAIL - W4L09065**
1"x2 3/8"x50 1/2" (24x60x1282)



- (1) **J4 - SAFETY RAIL - W4L09074**
1"x2 3/8"x52" (24x60x1322)



- (1) **J5 - SAFETY RAIL - W4L09070**
1"x2 3/8"x53 3/4" (24x60x1366)



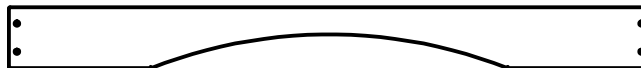
- (1) **K1 - DOUBLE ARCHED RAIL - W4L09079**
5/8"x5 1/4"x90 1/8" (16x134x2288)



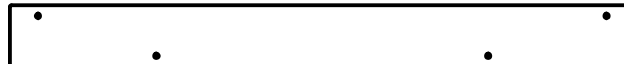
- (1) **K2 - WALL RAIL - W4L09060**
5/8"x5 1/4"x55 5/8" (16x134x1414)



- (1) **K3 - ARCHED RAIL - W4L09047**
5/8"x5 1/4"x55 5/8" (16x134x1414)



- (1) **K4 - ARCHED RAIL - W4L09045**
5/8"x5 1/4"x55 5/8" (16x134x1414)



- (1) **K5 - WALL RAIL - W4L09061**
5/8"x5 1/4"x54 1/4" (16x134x1378)



- (1) **K6 - ARCHED RAIL - W4L09046**
5/8"x5 1/4"x54 1/4" (16x134x1378)



- (1) **K7 - ARCHED RAIL - W4L09048**
5/8"x5 1/4"x54 1/4" (16x134x1378)

Parts Identification

Wood Components

(NOT TO SCALE)



- (2) **K8 - WALL RAIL - W4L09097**
5/8"x5 1/4"x27 1/8" (16x134x690)



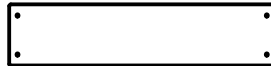
- (2) **K9 - WALL RAIL - W4L09096**
5/8"x5 1/4"x26 7/8" (16x134x682)



- (2) **K10 - ARCHED RAIL - W4L09094**
5/8"x5 1/4"x25 7/8" (16x134x658)



- (1) **K11 - ARCHED RAIL - W4L09098**
5/8"x5 1/4"x25 7/8" (16x134x658)



- (1) **K12 - FLOOR BOARD - W4L11198**
5/8"x5 1/4"x23 1/8" (16x134x586)



- (2) **K13 - WALL RAIL - W4L09071**
5/8"x5 1/4"x14 1/8" (16x134x360)



- (1) **K14 - WALL RAIL - W4L09068**
5/8"x5 1/4"x11 5/8" (16x134x294)



- (1) **K15 - WALL RAIL - W4L09067**
5/8"x5 1/4"x11 5/8" (16x134x294)



- (1) **K16 - SAFETY RAIL - W4L11199**
5/8"x5 1/4"x16 7/8" (16x134x430)



- (2) **K91 - GABLE BOARD - W4L11200**
3/8"x3 3/8"x49 5/8" (11x86x1260)



- (2) **K92 - GABLE BOARD - W4L11201**
3/8"x3 3/8"x43 1/4" (11x86x1098)



- (2) **K93 - GABLE BOARD - W4L11202**
3/8"x3 3/8"x36 7/8" (11x86x936)



- (2) **K94 - GABLE BOARD - W4L11203**
3/8"x3 3/8"x30 1/2" (11x86x774)



- (2) **K95 - GABLE BOARD - W4L11204**
3/8"x3 3/8"x24 1/8" (11x86x612)



- (2) **K96 - GABLE BOARD - W4L11205**
3/8"x3 3/8"x17 3/4" (11x86x450)

Parts Identification

Wood Components

(NOT TO SCALE)



- (2) **K97 - GABLE BOARD - W4L11206**
3/8"x3 3/8"x11 3/8" (11x86x288)



- (2) **K98 - GABLE BOARD - W4L11207**
3/8"x3 3/8"x5" (11x86x126)



- (1) **L1 - WALL BOARD - W4L11208**
5/8"x4 3/8"x54 1/4" (16x112x1378)



- (2) **L2 - WALL BOARD - W4L11209**
5/8"x4 3/8"x45 1/8" (16x112x1146)



- (1) **L3 - CORNER BOARD - W4L11210**
5/8"x4 3/8"x41 1/2" (16x112x1055)



- (2) **L4 - WALL BOARD - W4L11211**
5/8"x4 3/8"x41 1/8" (16x112x1044)



- (2) **L5 - WALL BOARD - W4L11212**
5/8"x4 3/8"x36" (16x112x914)



- (1) **L6 - CORNER BOARD - W4L11111**
5/8"x4 3/8"x31" (16x112x788)



- (1) **L7 - CORNER BOARD - W4L11213**
5/8"x4 3/8"x31" (16x112x788)



- (1) **L8 - CORNER BOARD - W4L11214**
5/8"x4 3/8"x31" (16x112x788)



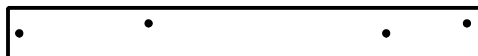
- (2) **L9 - CORNER BOARD - W4L11215**
5/8"x4 3/8"x31" (16x112x788)



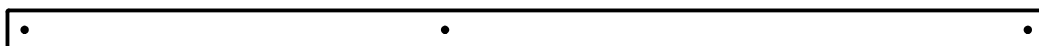
- (4) **L10 - WALL BOARD - W4L11216**
5/8"x4 3/8"x23 3/4" (16x112x602)



- (1) **L11 - WALL BOARD - W4L11217**
5/8"x4 3/8"x20 3/8" (16x112x518)



- (1) **L12 - CORNER BOARD - W4L11218**
5/8"x4 3/8"x41 1/2" (16x112x1055)



- (2) **M2 - WALL RAIL - W4L09088**
5/8"x3 3/8"x90 1/8" (16x86x2288)

Parts Identification

Wood Components

(NOT TO SCALE)



- (11) **M4 - FLOOR BOARD - W4L11219**
5/8"x3 3/8"x76 3/4" (16x86x1950)



- (14) **M5 - FLOOR BOARD - W4L11220**
5/8"x3 3/8"x53" (16x86x1346)



- (16) **M6 - FLOOR BOARD - W4L11221**
5/8"x3 3/8"x53" (16x86x1346)



- (1) **M7 - WALL RAIL - W4L09054**
5/8"x3 3/8"x63 1/4" (16x86x1608)



- (4) **M8 - WALL RAIL - W4L09085**
5/8"x3 3/8"x51 3/4" (16x86x1314)



- (2) **M9 - WALL BOARD - W4L11222**
5/8"x3 3/8"x45 1/8" (16x86x1146)



- (2) **M10 - WALL BOARD - W4L11223**
5/8"x3 3/8"x41 1/8" (16x86x1044)



- (1) **M11 - WALL RAIL - W4L09055**
5/8"x3 3/8"x39 7/8" (16x86x1012)



- (6) **M12 - WALL BOARD - W4L11224**
5/8"x3 3/8"x36" (16x86x914)



- (20) **M13 - WALL BOARD - W4L11225**
5/8"x3 3/8"x36" (16x86x914)



- (2) **M14 - WALL BOARD - W4L11226**
5/8"x3 3/8"x31" (16x86x788)



- (2) **M15 - WALL BOARD - W4L11227**
5/8"x3 3/8"x31" (16x86x788)



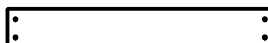
- (4) **M16 - WALL RAIL - W4L09092**
5/8"x3 3/8"x27 3/4" (16x86x706)



- (2) **M17 - WALL RAIL - W4L09095**
5/8"x3 3/8"x26 7/8" (16x86x682)



- (16) **M18 - FLOOR BOARD - W4L11228**
5/8"x3 3/8"x24 3/4" (16x86x628)



- (24) **M19 - FLOOR BOARD - W4L11229**
5/8"x3 3/8"x23 1/8" (16x86x586)



- (1) **M20 - FLOOR BOARD - W4L11230**
5/8"x3 3/8"x23 1/8" (16x86x586)

Parts Identification

Wood Components

(NOT TO SCALE)



- (1) **M21 - LADDER RUNG - W4L09102**
5/8"x3 3/8"x22 1/2" (16x86x572)



- (11) **M22 - LADDER RUNG - W4L09101**
5/8"x3 3/8"x22 1/2" (16x86x572)



- (1) **M23 - LADDER RUNG - W4L09099**
5/8"x3 3/8"x16 7/8" (16x86x429)



- (1) **M24 - WALL RAIL - W4L09056**
5/8"x3 3/8"x16" (16x86x406)



- (5) **M25 - WALL BOARD - W4L11231**
5/8"x3 3/8"x14 1/4" (16x86x362)



- (1) **M26 - WALL RAIL - W4L09082**
5/8"x3 3/8"x11 1/8" (16x86x284)



- (1) **M27 - WALL RAIL - W4L09083**
5/8"x3 3/8"x10 3/4" (16x86x274)



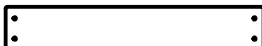
- (2) **M28 - CLEAT - W4L11232**
5/8"x3 3/8"x5 1/4" (16x86x132)



- (6) **M47 - PICKET - 51 - W4L11233**
5/8"x3 3/8"x25 1/4" (16x86x640)



- (53) **M49 - PICKET - 53 - W4L11234**
5/8"x3 3/8"x20 3/8" (16x86x518)



- (1) **M73 - REAR SUPPORT - W4L11417**
5/8"x3 3/8"x20 1/8" (16x86x512)



- (1) **M110 - ATTACHMENT BOARD - W4L11450**
5/8"x3 3/8"x20 1/8" (16x86x512)



- (1) **N1 - WALL BOARD - W4L11235**
5/8"x2 3/8"x32" (16x60x812)



- (1) **N2 - WINDOW TRIM - W4L09059**
5/8"x2 3/8"x30" (16x60x761)



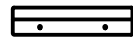
- (1) **N3 - WINDOW TRIM - W4L09081**
5/8"x2 3/8"x22 1/2" (16x60x570)



- (2) **N4 - WINDOW TRIM - W4L09080**
5/8"x2 3/8"x19 7/8" (16x60x504)



- (2) **N5 - WINDOW TRIM - W4L09058**
5/8"x2 3/8"x14" (16x60x356)



- (2) **N6 - WALL BOARD - W4L11236**
5/8"x2 3/8"x10 3/8" (16x60x264)

Parts Identification

Wood Components

(NOT TO SCALE)



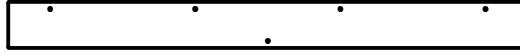
- (2) O5 - CLEAT - W4L11237
5/8"x1 3/8"x36 7/8" (16x34x936)



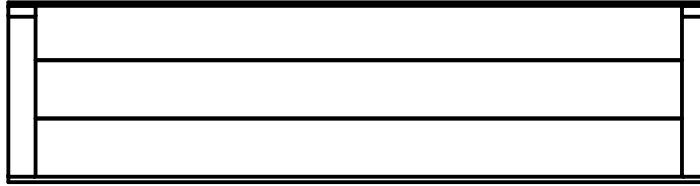
- (1) O6 - CLEAT - W4L11238
5/8"x1 3/8"x26 3/4" (16x34x680)



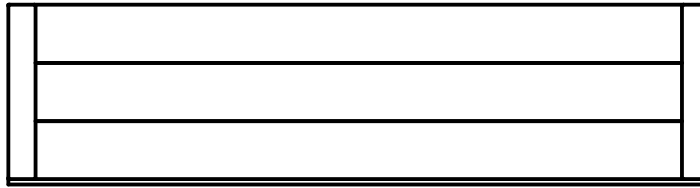
- (1) O70 - SLIDE MOUNTING BOARD - W4L09040
5/8"x1 3/8"x20 3/8" (16x34x517)



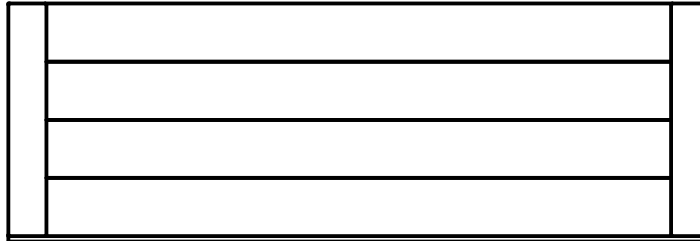
- (1) Y1 - FLOOR BOARD - W4L11239
5/8"x4"x45 1/8" (16x102x1146)



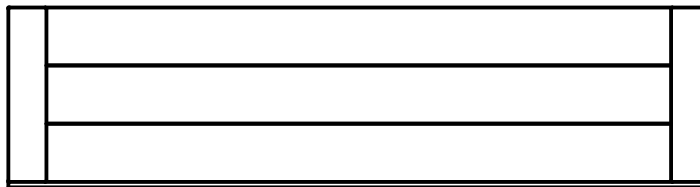
- (2) RP1 - PEAK ROOF PANEL - W2A02287
1 5/8"x15 5/8"x60 7/8" (42x396x1546)



- (3) RP2 - ROOF PANEL - W2A02288
1 5/8"x15 5/8"x60 7/8" (42x396x1546)



- (1) RP3 - PORCH PANEL - W2A02289
1 5/8"x20 5/8"x60 7/8" (42x524x1546)



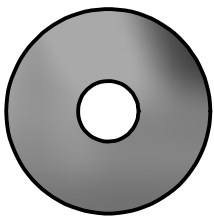
- (1) RP4 - PORCH PANEL - W2A02290
1 5/8"x15 5/8"x60 7/8" (42x396x1546)



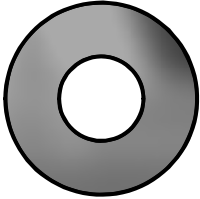
- (1) RP5 - ROOF PANEL - W2A02291
1 5/8"x15 5/8"x60 7/8" (42x396x1546)

Parts Identification

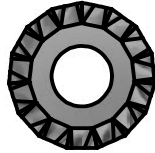
Hardware



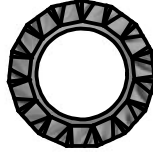
(4) - WASHER FLAT 8x27 SD - H100705



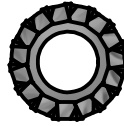
(13) - WASHER FLAT 11x25 SD - H100703



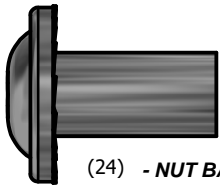
(197) - WASHER LOCK EXT 8x19 SD - H100554



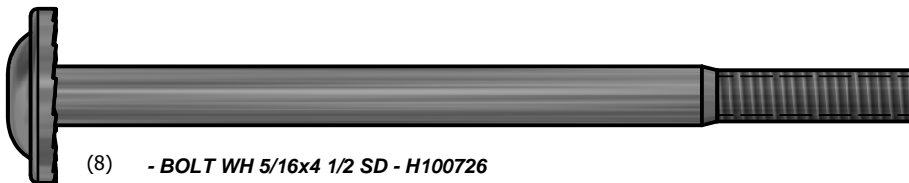
(24) - WASHER LOCK EXT 12x19 SD - H100707



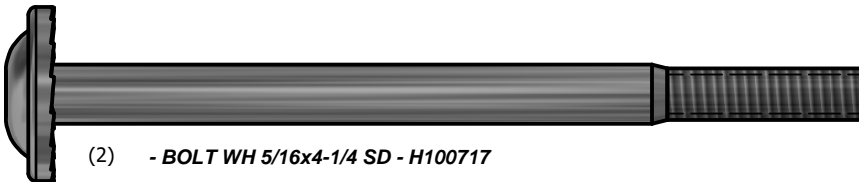
(2) - WASHER LOCK EXT 6x15 SD - H100546



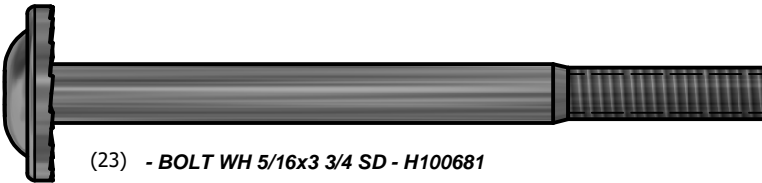
(24) - NUT BARREL WH 5/16x7/8 SD - H100693



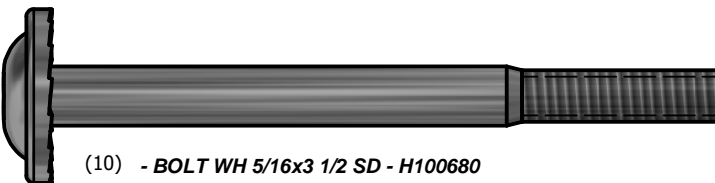
(8) - BOLT WH 5/16x4 1/2 SD - H100726



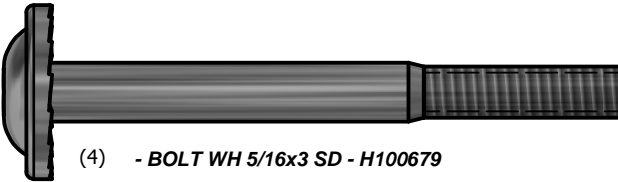
(2) - BOLT WH 5/16x4-1/4 SD - H100717



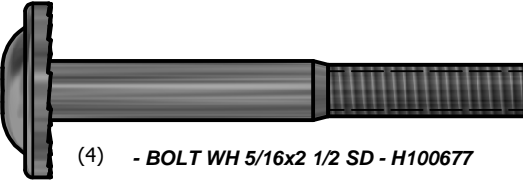
(23) - BOLT WH 5/16x3 3/4 SD - H100681



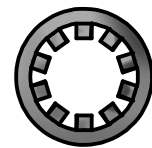
(10) - BOLT WH 5/16x3 1/2 SD - H100680



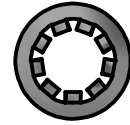
(4) - BOLT WH 5/16x3 SD - H100679



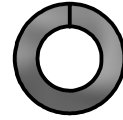
(4) - BOLT WH 5/16x2 1/2 SD - H100677



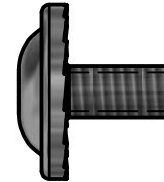
(13) - WASHER LOCK INT 10x18 SD - H100708



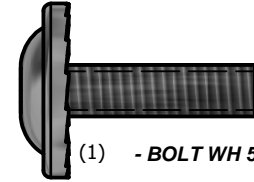
(24) - WASHER LOCK INT 8x15 SD - H100710



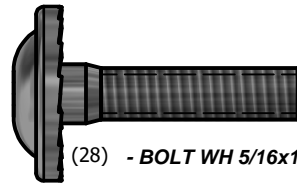
(4) - WASHER SPLIT 5/16 SD - H100711



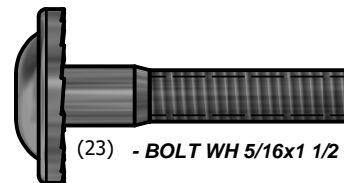
(13) - BOLT WH 5/16x1/2 SD - H100675



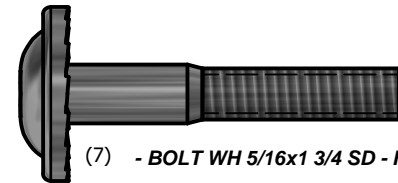
(1) - BOLT WH 5/16x1 SD - H100672



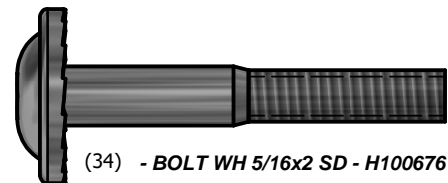
(28) - BOLT WH 5/16x1 1/4 SD - H100714



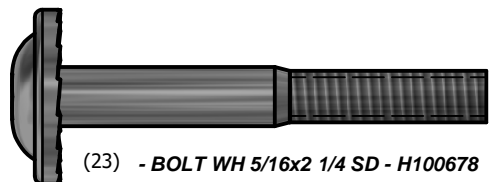
(23) - BOLT WH 5/16x1 1/2 SD - H100673



(7) - BOLT WH 5/16x1 3/4 SD - H100555



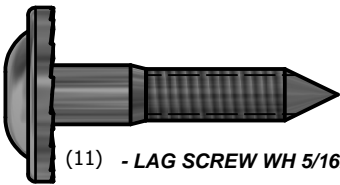
(34) - BOLT WH 5/16x2 SD - H100676



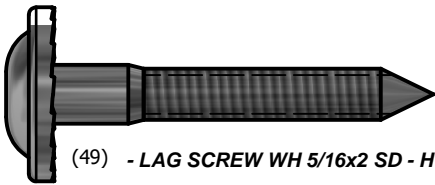
(23) - BOLT WH 5/16x2 1/4 SD - H100678

Parts Identification

Hardware



(11) - LAG SCREW WH 5/16x1-1/2 SD - H100685



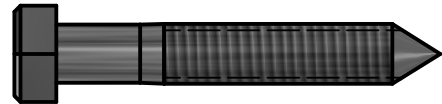
(49) - LAG SCREW WH 5/16x2 SD - H100686



(3) - LAG SCREW WH 5/16x2-1/2 SD - H100687



(22) - LAG SCREW WH 5/16x3 SD - H100689



(2) - LAG SCREW HEX 5/16x2 SD - H100684



(2) - LAG SCREW WH 1/4x2 SD - H100553



(4) - SCREW PFH 8x1/2 SD - H100543



(537) - SCREW PFH 8x1 1/8 SD - H100540



(23) - SCREW PFH 8x1 1/4 SD - H100539



(355) - SCREW PFH 8x1 1/2 SD - H100538



(9) - SCREW PFH 8x1 3/4 SD - H100541



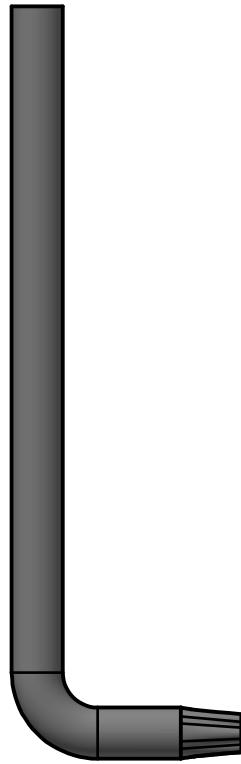
(212) - SCREW PFH 8x2 SD - H100542



(70) - SCREW PFH 8x2 1/2 SD - H100695



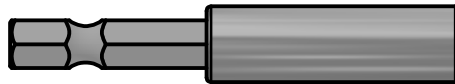
(2) - SCREW PFH 8x3 SD - H100723



(1) - T-30 TORX WRENCH - H100114



(1) - T-30 TORX BIT - H100147



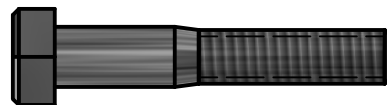
(1) - MAGNETIC DRIVER - H101100



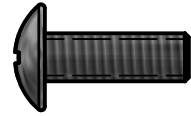
(1) - SCREW SETTER - H100764



(13) - BOLT HEX 3/8x3 1/4 SD - H100727



(2) - BOLT HEX 5/16x1 3/4 SD - H100674



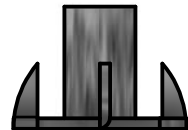
(24) - BOLT PTH 1/4x3/4 SD - H100670



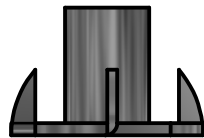
(9) - SCREW PWH 8x5/8 SD - H100544



(24) - T-NUT 1/4 SD - H100699



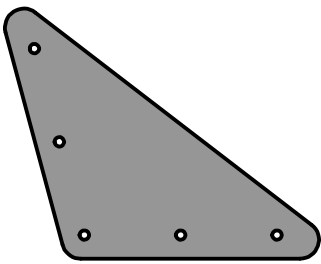
(148) - T-NUT 5/16 SD - H100556



(13) - T-NUT 3/8 SD - H100700

Parts Identification

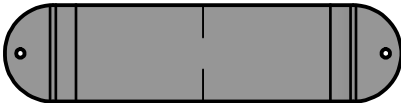
Accessories
(NOT TO SCALE)



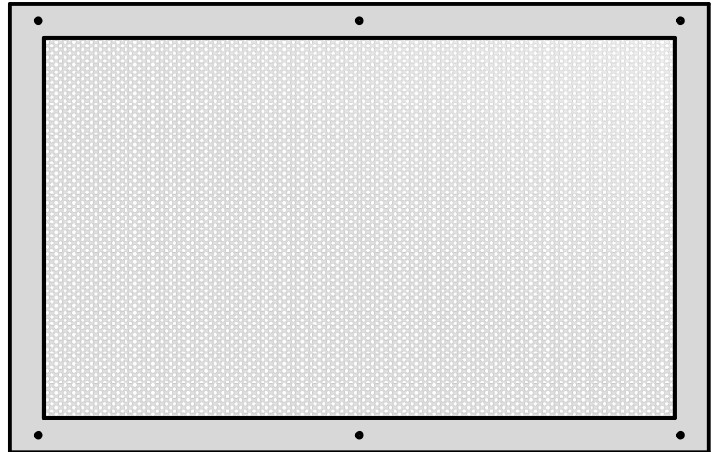
(2) DD - TRIANGLE PLATE 105 5 HOLE - A100005



(1) SLIDE VF 10 FT - A100287 or A6P00539 or A6P00540



(2) - SWING SEAT GREEN 22IN - A6P00054



(1) HP - MESH PANEL - A100012



(4) EF - CHAIN GREEN 57" - A100047



(2) KN - CHAIN GREEN 31" - A100177



(2) JV - HAND GRIP GREEN 816 C/C - A100134



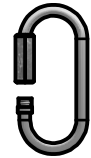
(4) FX - HAND GRIP METAL GREEN 381 c/c - A100118



(1) HC - BYD ID TAG (LARGE) 2011 WITH AGES - A100164



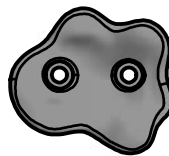
(13) TZ - L BRACKET 2.5x38x50x55 - A100340



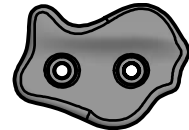
(6) - QUICK LINK SD - A4M00927



(1) SQ - "A" REVISION TAG - A100314



(6) - GREEN HC ROCK #1 - A6P00036



(5) - GREEN HC ROCK #2 - A6P00037



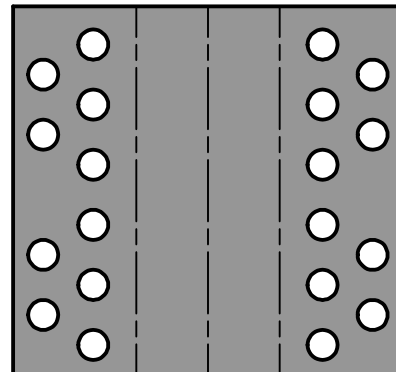
(6) SWING HANGER - A4M00926



(6) - GROUND STAKE REBAR - A4M00527



(1) - TRAPEZE - A6P00034



(1) - TUNNEL - A6P00273
1/8"x61 3/8"x81" (2x1558x1649)

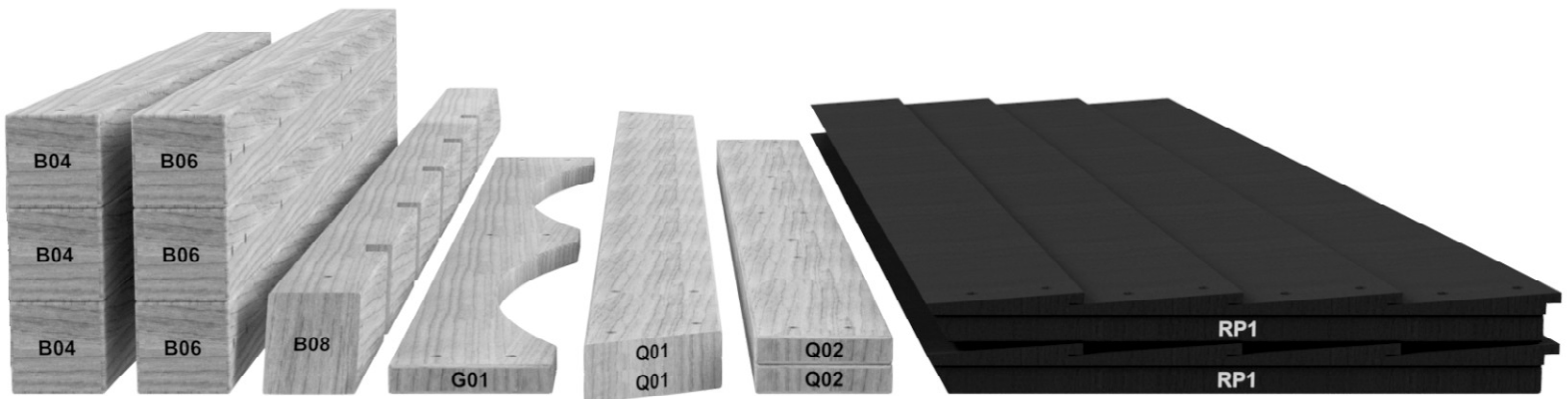
PRE-ASSEMBLY STEP 1 - SORTING PARTS

It is critical for ease of assembly that you take the time to sort and organize the wood and hardware.

WOOD PARTS:

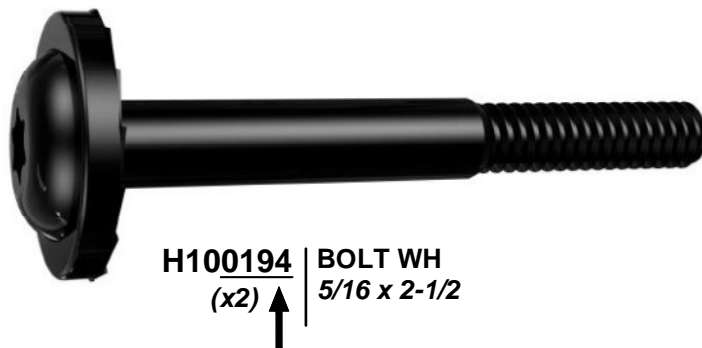
- Organize wood parts by the three-digit, alpha-numeric number stamped on each board (ex. P01).
- If there are multiple boards with the same stamped number, stack those pieces together.
- Stamps can be found on the flat surface of the boards or on the end of the boards.
- Allow yourself plenty of room - the wood pieces can take up a significant amount of space.

NOTE: CARTONS ARE NOT ORGANIZED BY BOARD NUMBER.



HARDWARE PARTS:

- We recommend that you have a separate table to organize the hardware.
- Hardware bags are printed with a seven-digit, alpha-numeric part number.
- You can organize your hardware by part number or group by hardware type (i.e. bolts, nuts, etc.).
- During assembly you only need to reference the last four digits of the number.



PRE-ASSEMBLY STEP 2 - TOOLS REQUIRED



Cordless Drill or
Electric Drill



Drill Attachments:
Phillips Head



1/8", 3/16", 3/8" & 7/16"
Drill Bits



Phillips Screw Driver



Open End Wrenches 1/2" & 9/16"



3/8" Drive Ratchet, 1/2" &
9/16" STD Sockets 1/2" & 9/16" Deep
Sockets



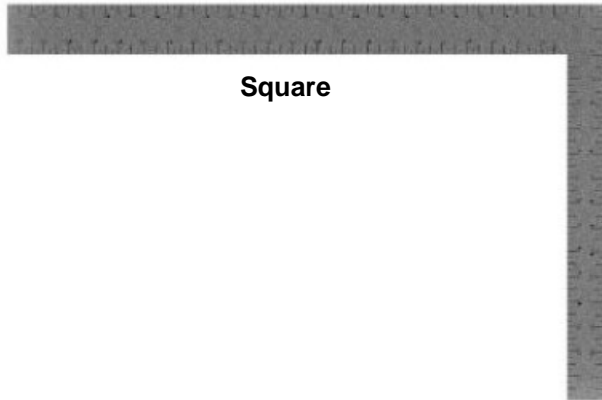
Claw Hammer



Rubber Mallet - Optional



Tape Measure



Square

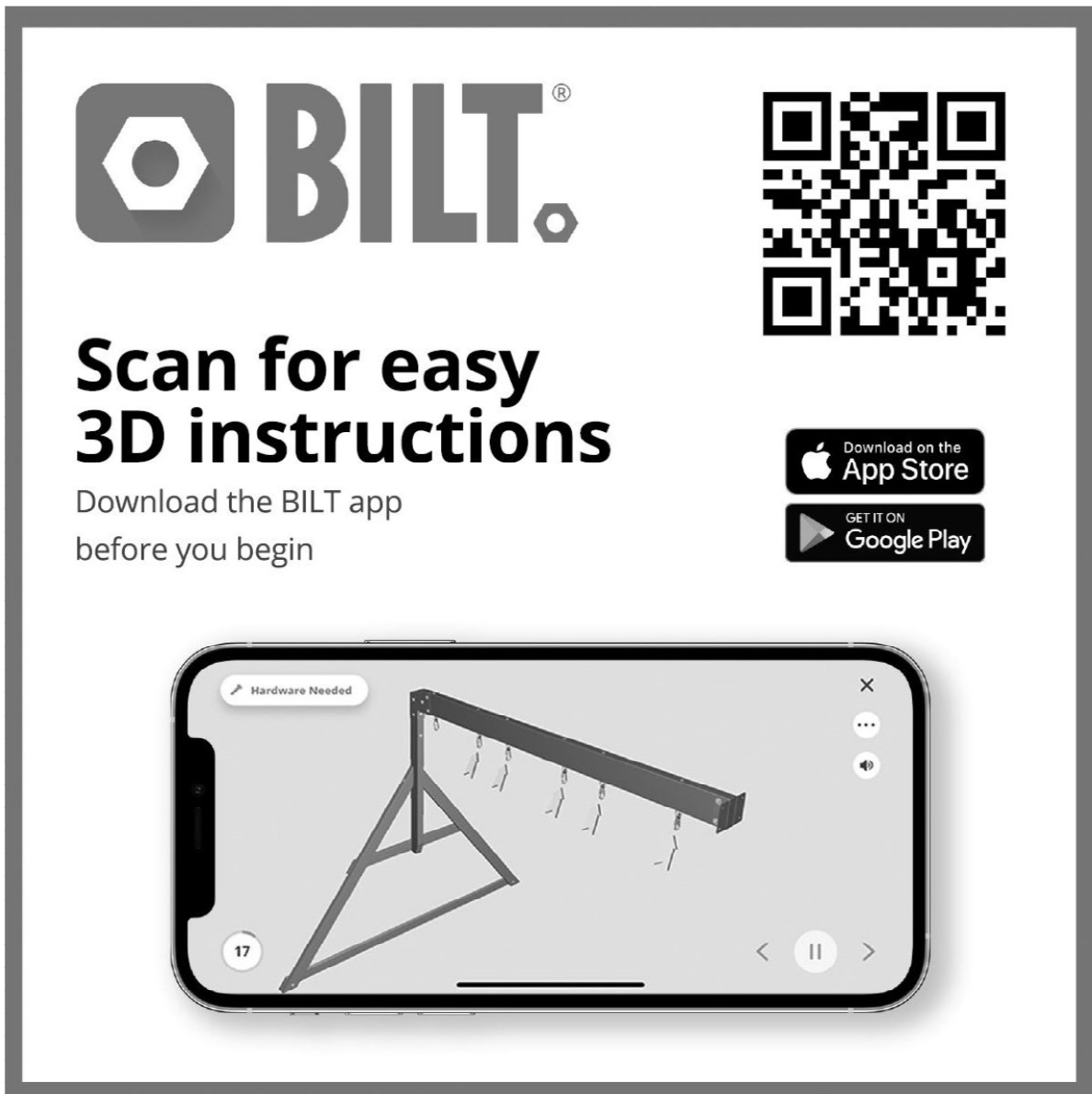


Level 24"

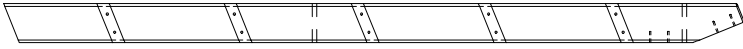
PRE-ASSEMBLY STEP 3 - CHOOSE YOUR ASSEMBLY METHOD

There are several types of assembly instructions available to you.

1. Printed Assembly Manual included with your set
2. BILT APP - 3D interactive instructions
3. Combination of the Printed Manual and BILT APP (Note: Step numbers can differ between the two methods)



The advertisement features the BILT logo (a hexagon with a dot) and the word "BILT." in a bold, sans-serif font. To the right is a large QR code. Below the logo, the text "Scan for easy 3D instructions" is written in a large, bold font, followed by "Download the BILT app before you begin" in a smaller font. To the right of this text are two buttons: "Download on the App Store" and "GET IT ON Google Play". At the bottom, a smartphone screen displays a 3D assembly instruction for step 17, showing a metal frame with a horizontal bar and several hanging components. The screen includes a "Hardware Needed" label, a close button (X), a menu button (three dots), a volume icon, and navigation arrows.

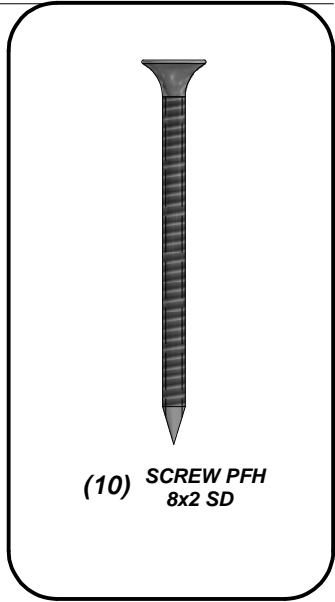
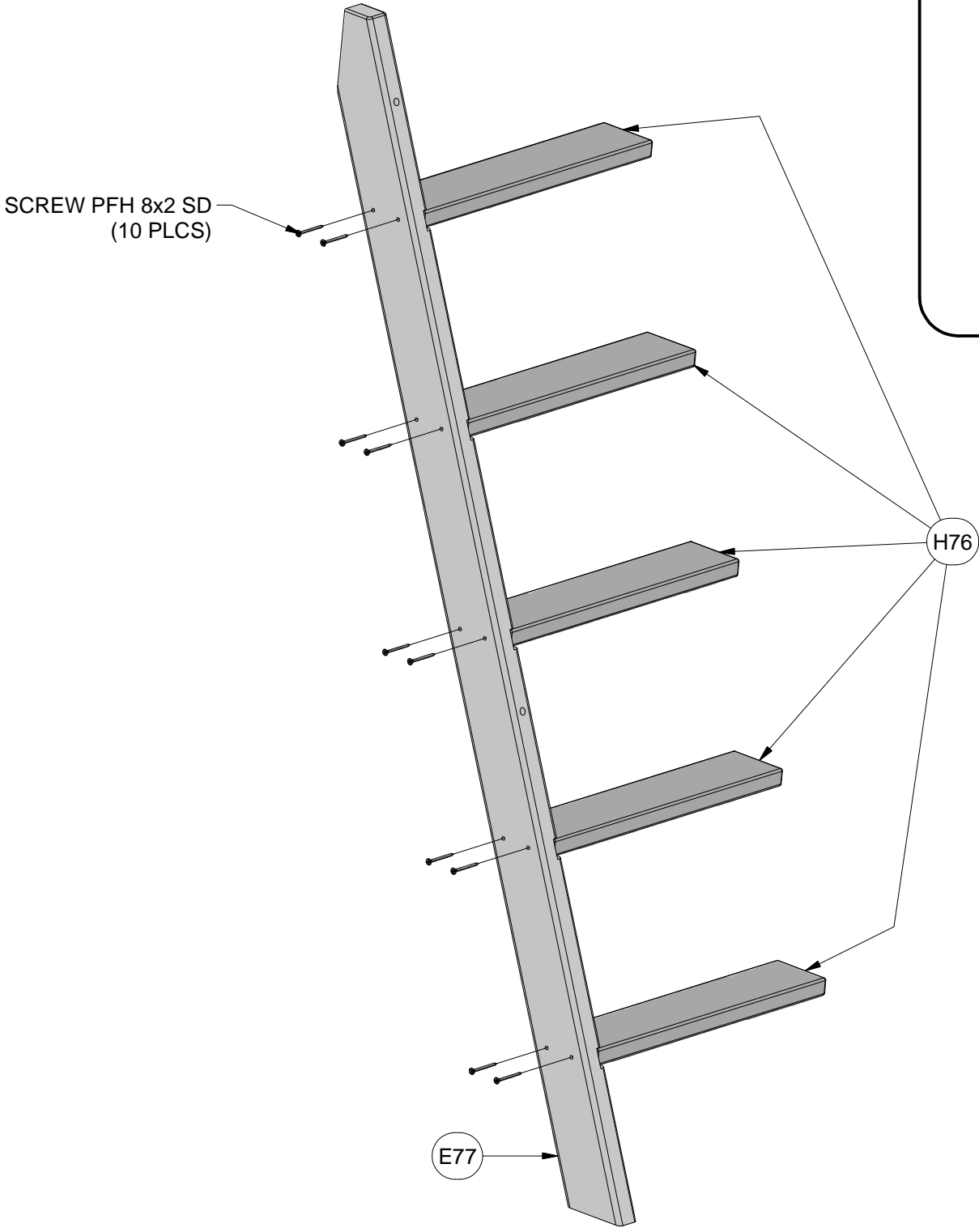


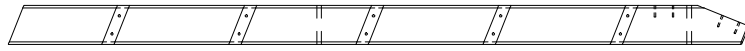
(1) **E77 - LEFT UPRIGHT - W4L11414**
1 3/8"x3 3/8"x64 3/8" (36x86x1634)



(5) **H76 - LADDER RUNG - W4L06609**
1"x3 3/8"x18 1/8" (24x86x460)

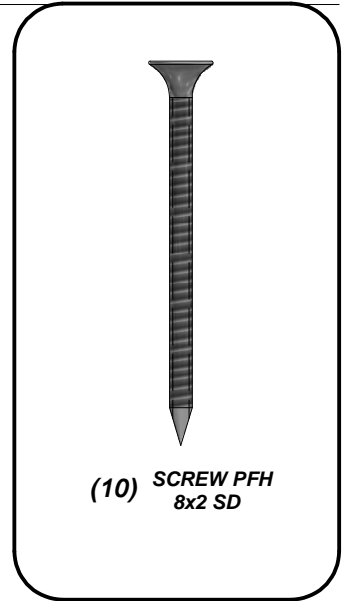
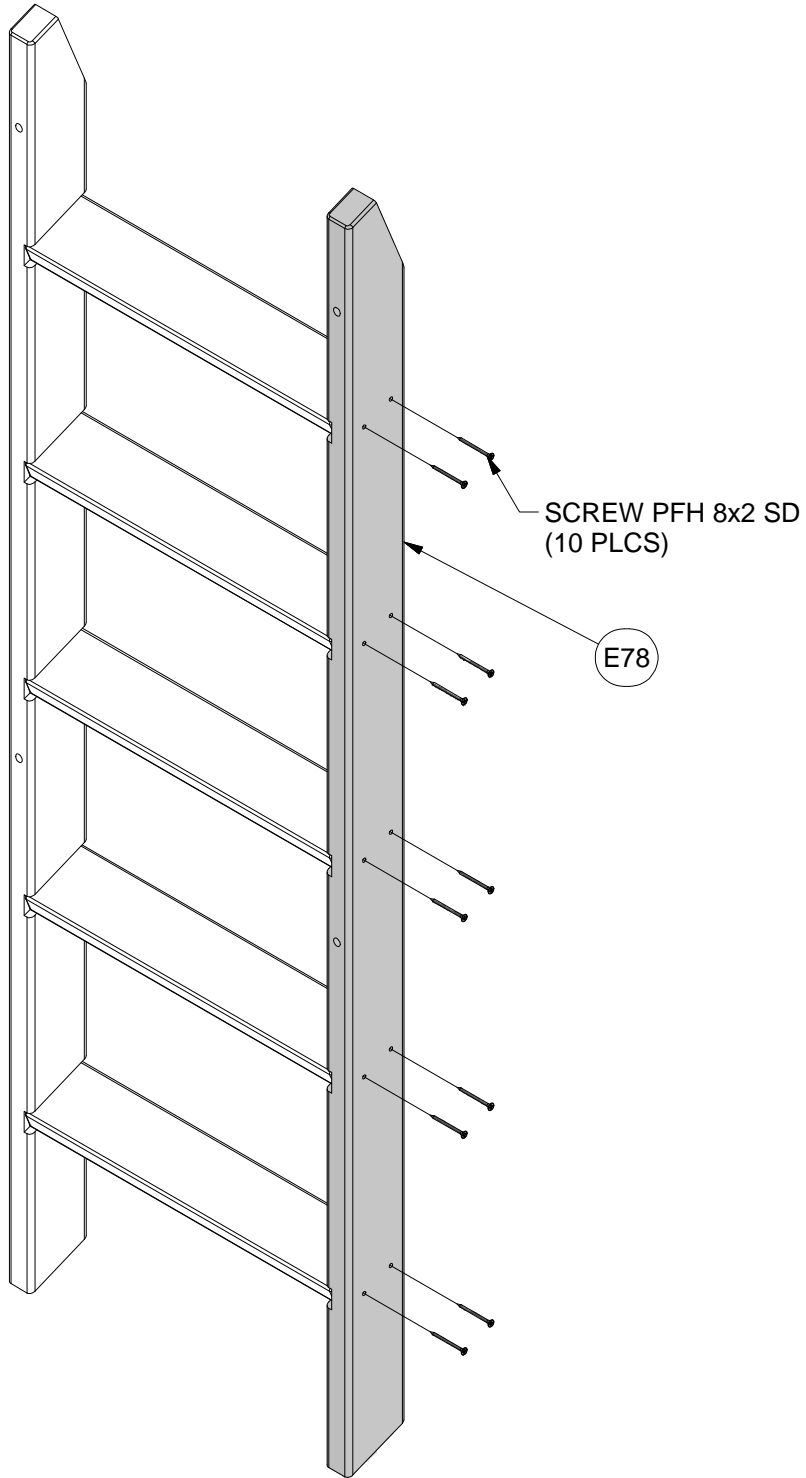
5 FOOT LADDER ASSEMBLY STEP 1





(1) **E78 - RIGHT UPRIGHT - W4L11415**
1 3/8"x3 3/8"x64 3/8" (36x86x1634)

5 FOOT LADDER ASSEMBLY
STEP 2



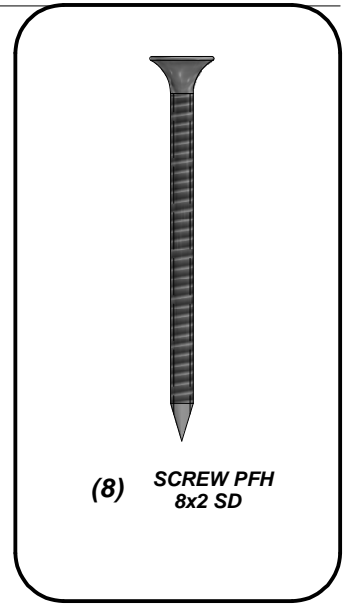
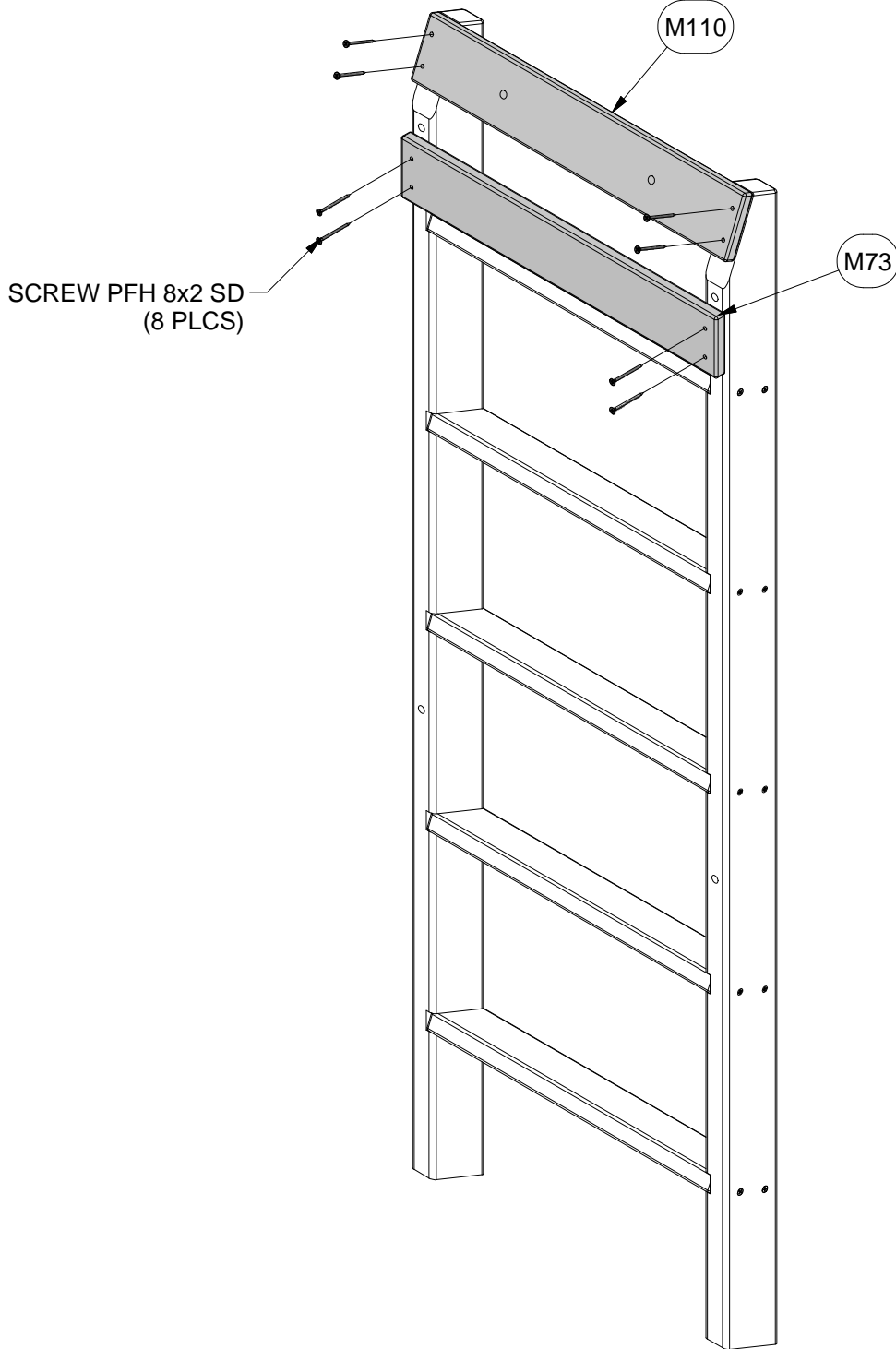


(1) **M73 - REAR SUPPORT - W4L11417**
 5/8"x3 3/8"x20 1/8" (16x86x512)



(1) **M110 - ATTACHMENT BOARD - W4L11450**
 5/8"x3 3/8"x20 1/8" (16x86x512)

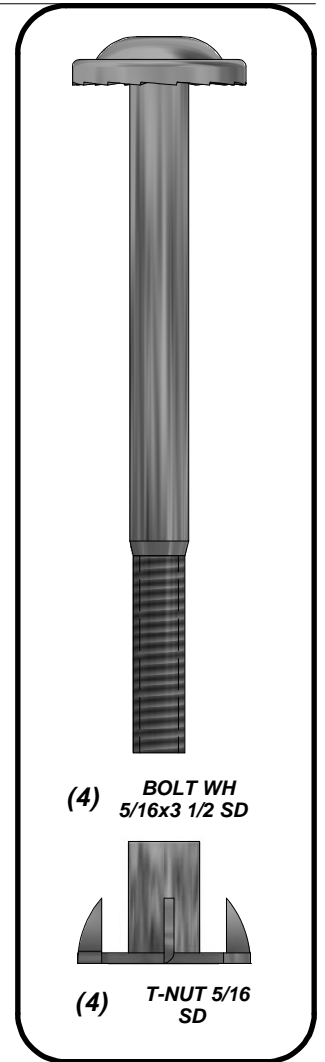
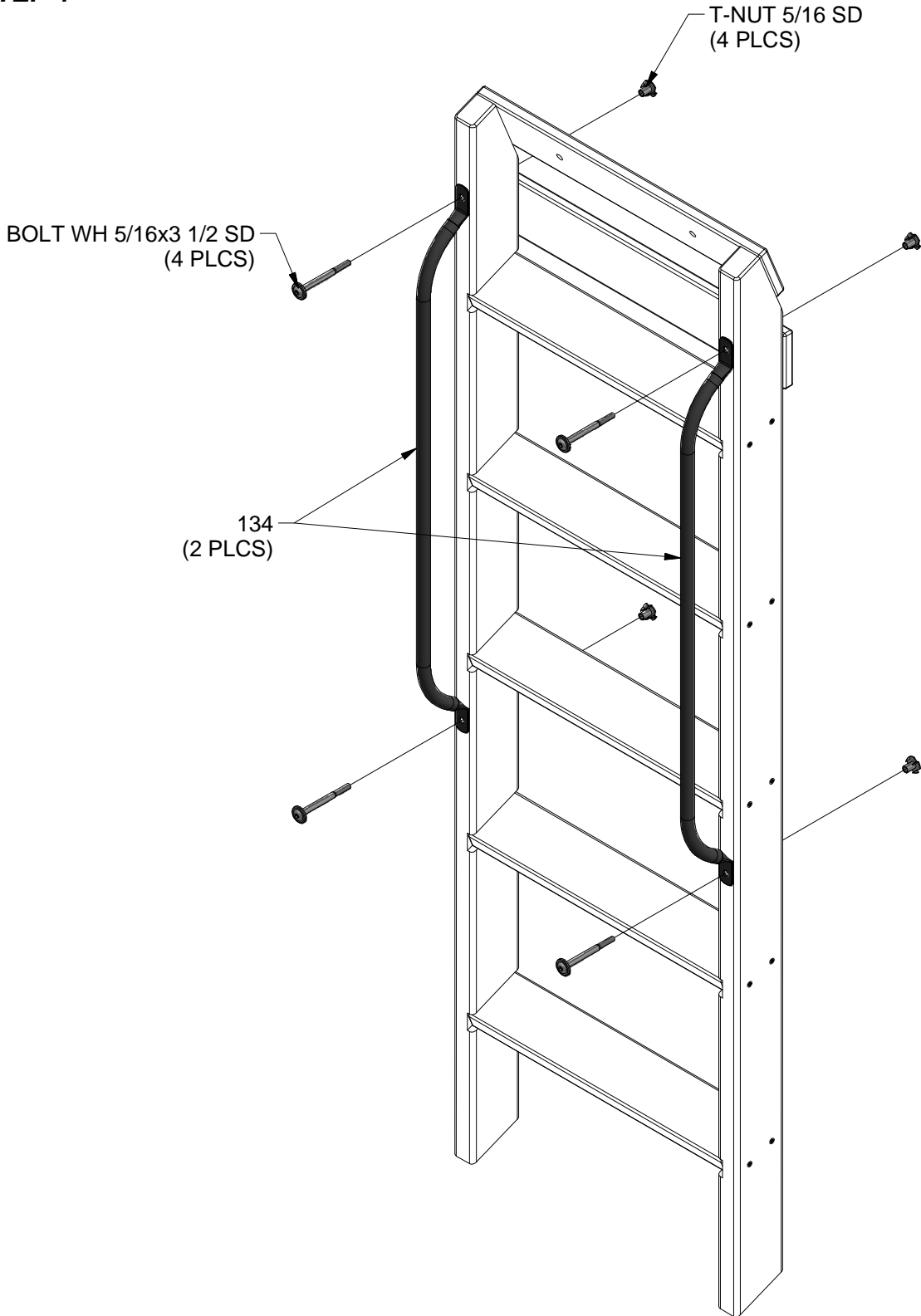
5 FOOT LADDER ASSEMBLY
STEP 3





(2) - HAND GRIP GREEN 816 C/C - A100134

5 FOOT LADDER ASSEMBLY STEP 4





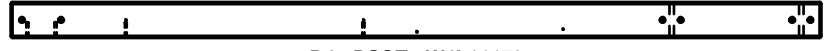
(1) M2 - WALL RAIL - W4L09088
5/8"x3 3/8"x90 1/8" (16x86x2288)



(1) G1 - GROUND BOARD - W4L09084
1"x5 1/4"x90 1/8" (24x134x2288)



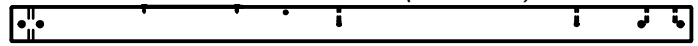
(1) H7 - FLOOR SUPPORT - W4L09069
1"x3 3/8"x53 3/4" (24x86x1366)



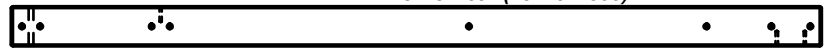
(1) B4 - POST - W4L11179
3"x3"x70 3/8" (76x76x1786)



(1) H5 - FLOOR SUPPORT - W4L09073
1"x3 3/8"x53 3/4" (24x86x1366)

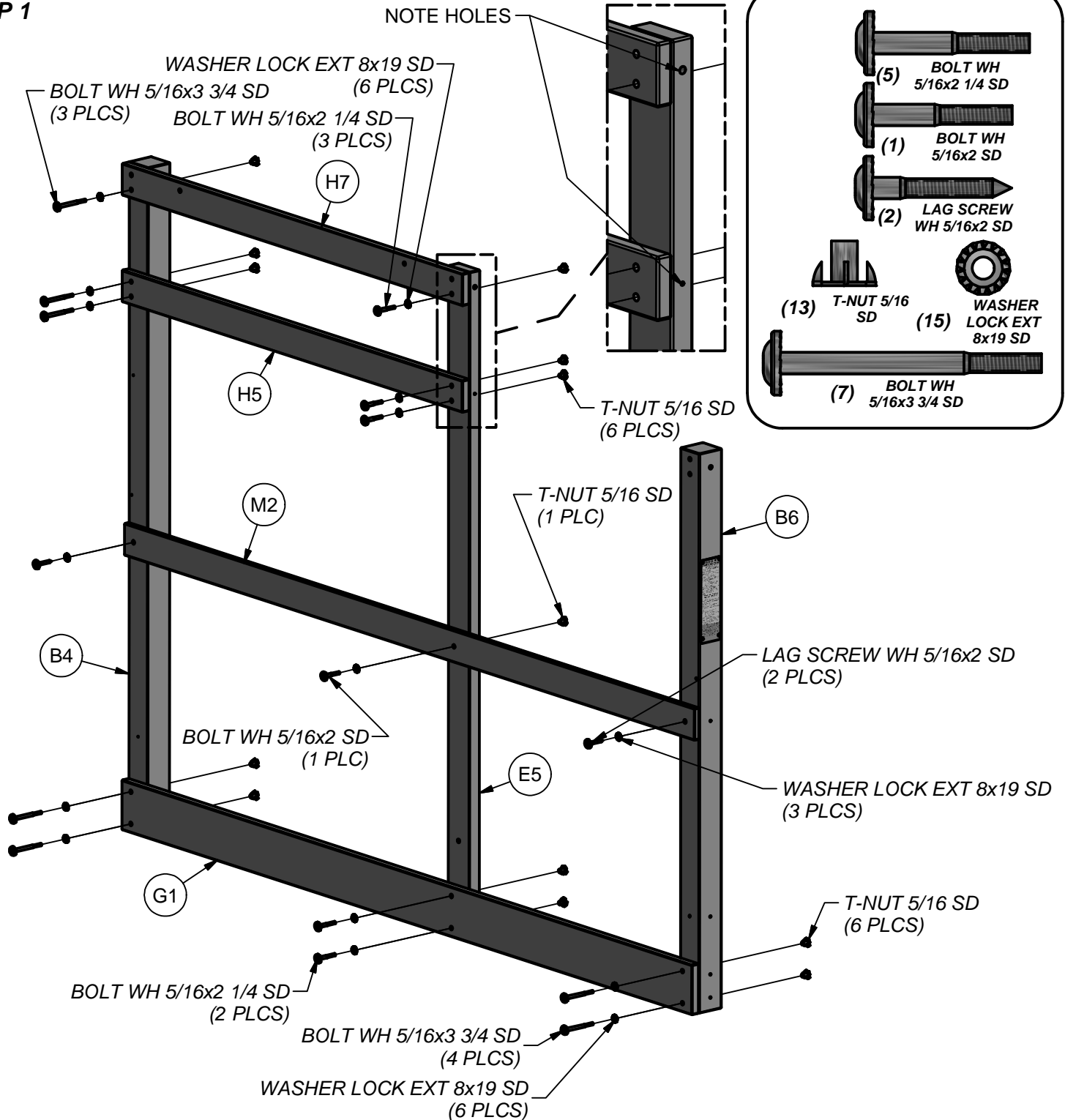


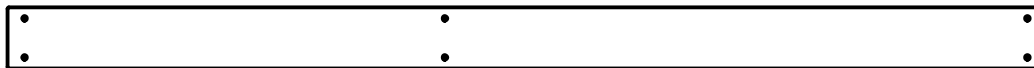
(1) B6 - POST - W2A02493
3"x3"x59" (76x76x1500)



(1) E5 - UPRIGHT - W4L11182
1 3/8"x3 3/8"x70 3/8" (36x86x1786)

STEP 1





(1) **G1 - GROUND BOARD - W4L09084**
1"x5 1/4"x90 1/8" (24x134x2288)



(1) **K1 - DOUBLE ARCHED RAIL - W4L09079**
5/8"x5 1/4"x90 1/8" (16x134x2288)



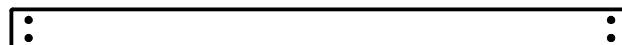
(1) **B5 - POST - W4L11180**
3"x3"x59" (76x76x1500)



(1) **B3 - POST - W4L11178**
3"x3"x70 3/8" (76x76x1786)

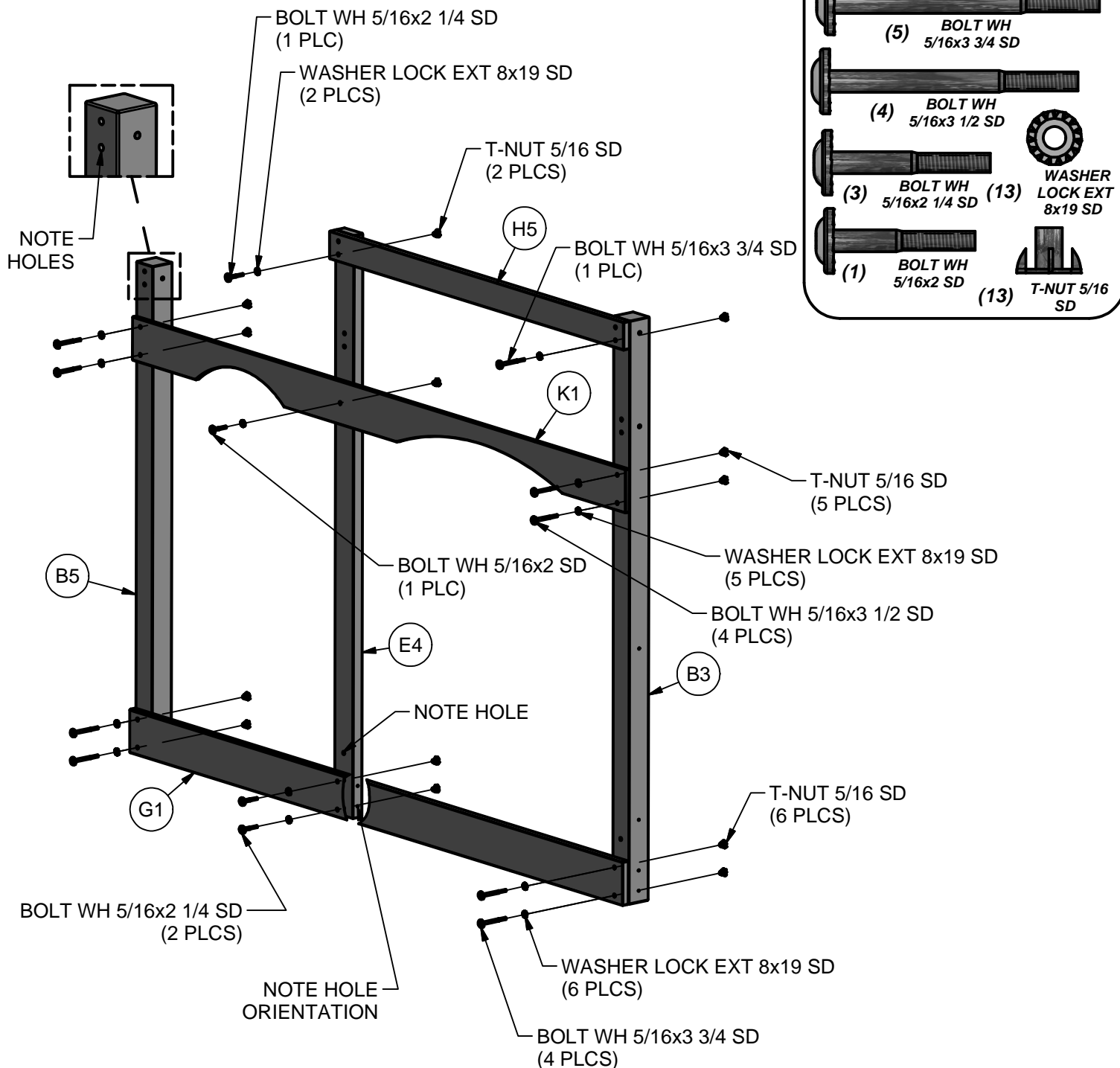


(1) **E4 - UPRIGHT - W4L11181**
1 3/8"x3 3/8"x70 3/8" (36x86x1786)



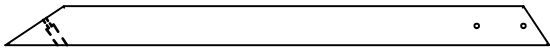
(1) **H5 - FLOOR SUPPORT - W4L09073**
1"x3 3/8"x53 3/4" (24x86x1366)

STEP 2



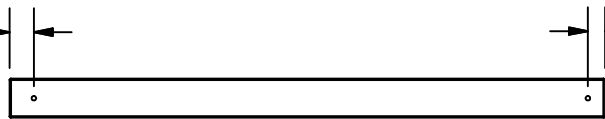


(1) **G4 - GROUND BOARD - W4L09086**
1"x5 1/4"x78 1/4" (24x134x1987)



(1) **H21 - ANGLE BRACE - W4L11112**
1"x3 3/8"x47 1/4" (24x86x1201)

54 mm
[2 1/8 in]



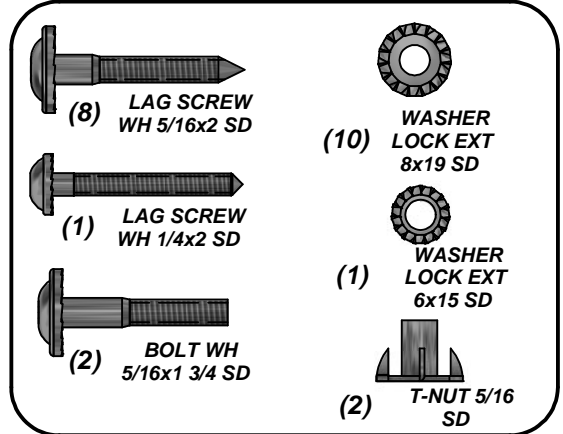
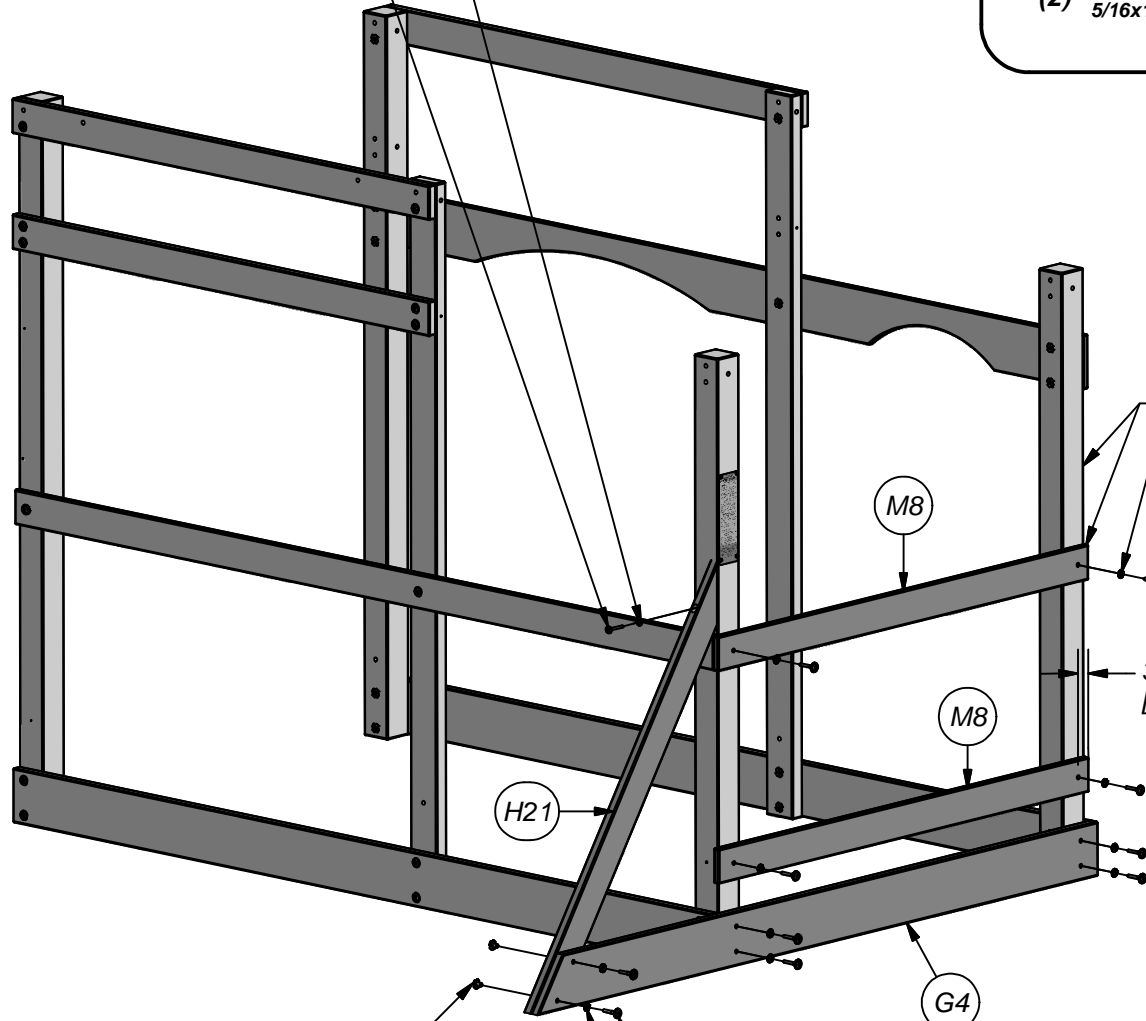
38 mm
[1 1/2 in]

(2) **M8 - WALL RAIL - W4L09085**
5/8"x3 3/8"x51 3/4" (16x86x1314)

STEP 3

WASHER LOCK EXT 6x15 SD
(1 PLC)

LAG SCREW WH 1/4x2 SD
(1 PLC)



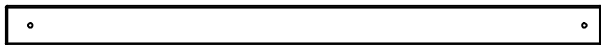
T-NUT 5/16 SD
(2 PLCS)

BOLT WH 5/16x1 3/4 SD
(2 PLCS)

WASHER LOCK EXT 8x19 SD
(2 PLCS)

FLUSH
WASHER LOCK EXT 8x19 SD
(8 PLCS)
LAG SCREW WH 5/16x2 SD
(8 PLCS)

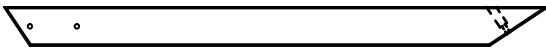
38 mm
[1 1/2 in]



(1) M8 - WALL RAIL - W4L09085
5/8"x3 3/8"x51 3/4" (16x86x1314)



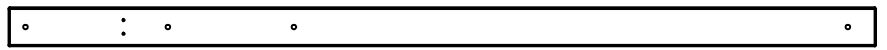
(1) H8 - FLOOR SUPPORT - W4L09064
1"x3 3/8"x53" (24x86x1346)



(1) H21 - ANGLE BRACE - W4L11112
1"x3 3/8"x47 1/4" (24x86x1201)

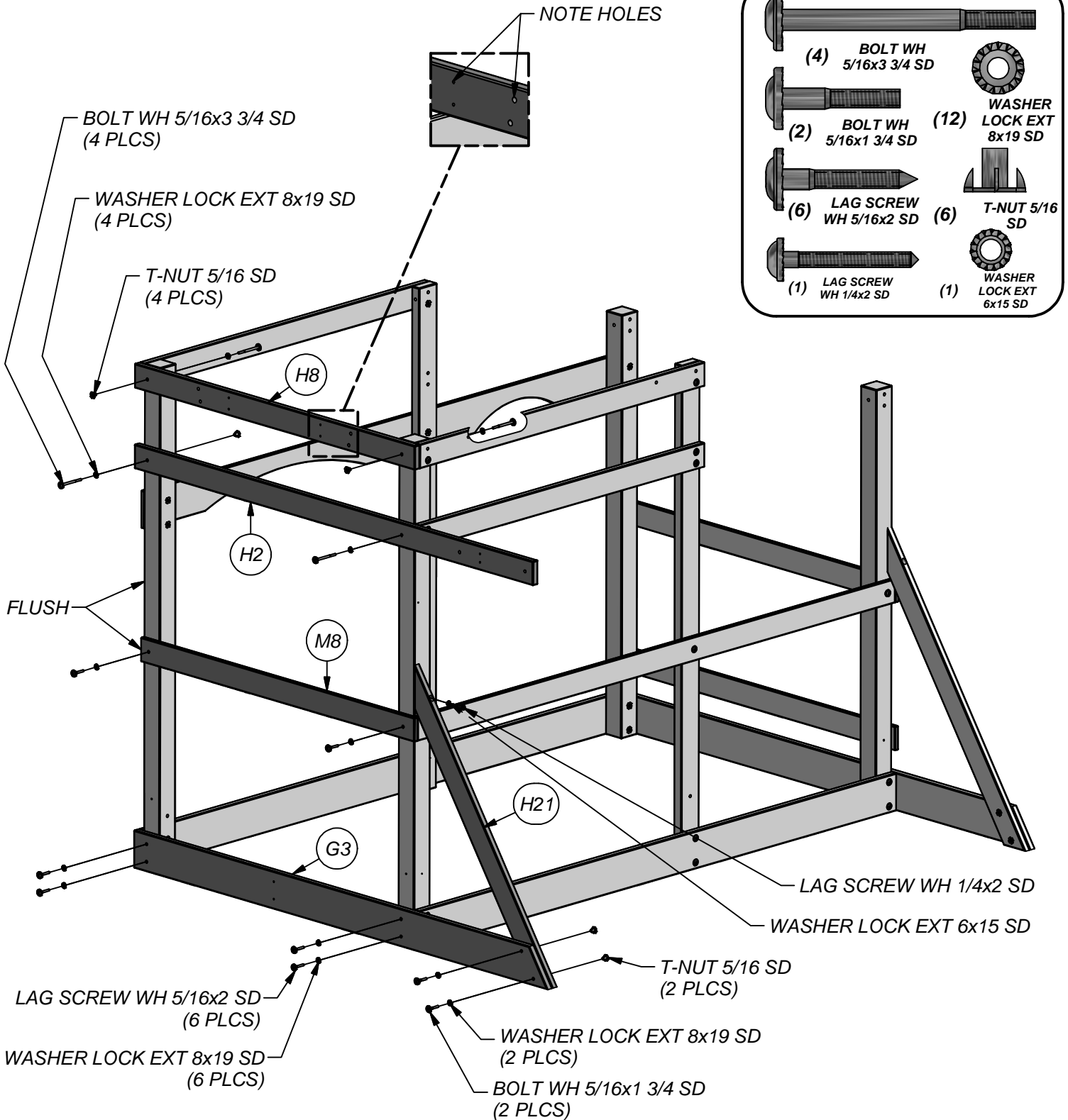


(1) G3 - GROUND BOARD - W4L09087
1"x5 1/4"x78 1/4" (24x134x1987)



(1) H2 - FLOOR SUPPORT - W4L09066
1"x3 3/8"x75 3/8" (24x86x1914)

STEP 4



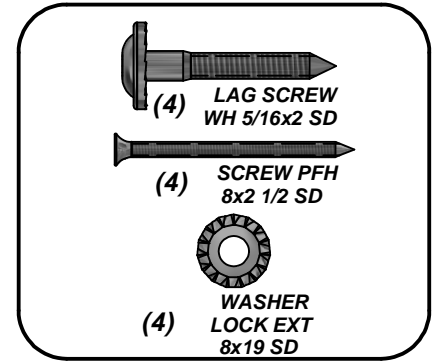


(1) **G6 - FLOOR JOIST - W4L11188**
1"x5 1/4"x49 1/2" (24x134x1256)



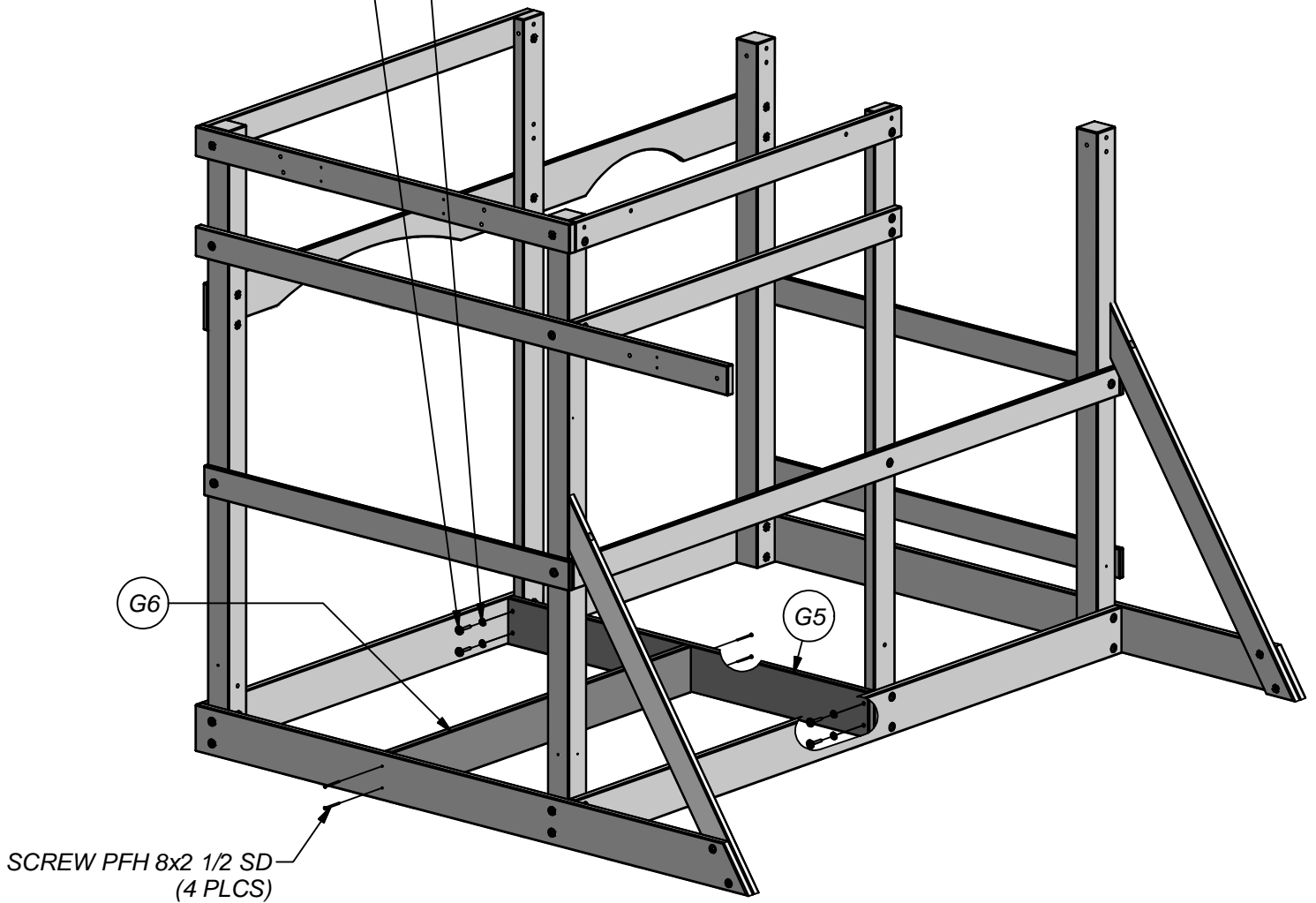
(1) **G5 - GROUND BOARD - W4L09089**
1"x5 1/4"x51 1/8" (24x134x1298)

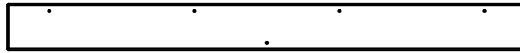
STEP 5



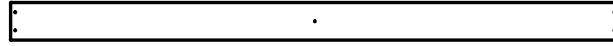
WASHER LOCK EXT 8x19 SD
(4 PLCS)

LAG SCREW WH 5/16x2 SD
(4 PLCS)



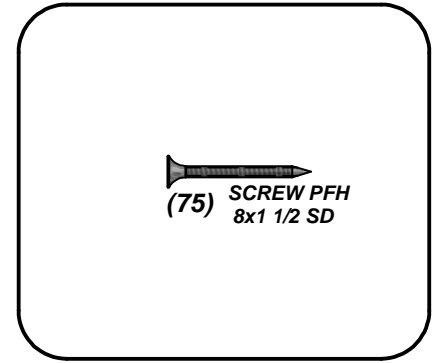


(1) **Y1 - FLOOR BOARD - W4L11239**
5/8"x4"x45 1/8" (16x102x1146)

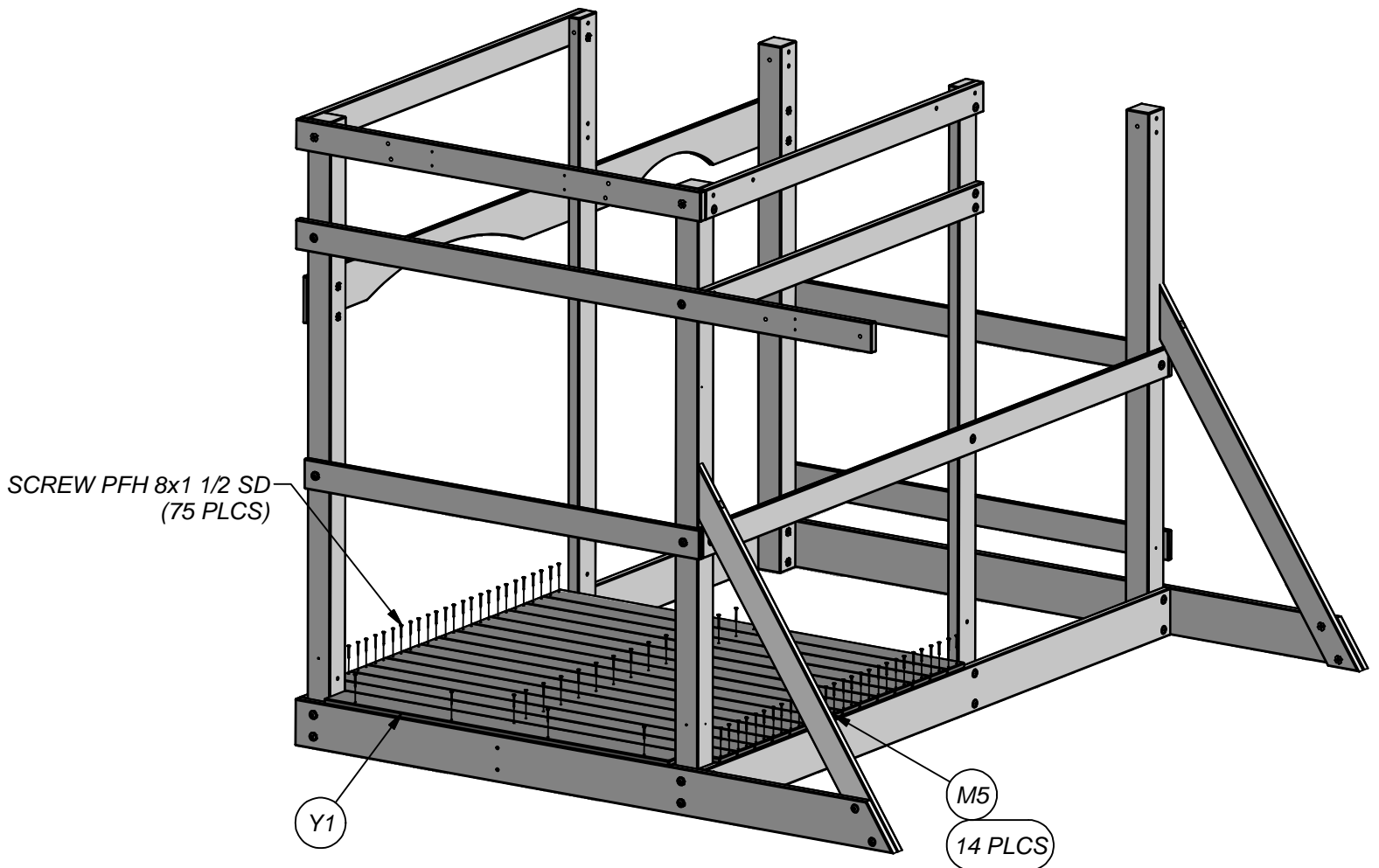


(14) **M5 - FLOOR BOARD - W4L11220**
5/8"x3 3/8"x53" (16x86x1346)

STEP 6



(75) **SCREW PFH**
8x1 1/2 SD



SCREW PFH 8x1 1/2 SD
(75 PLCS)

Y1

M5

14 PLCS

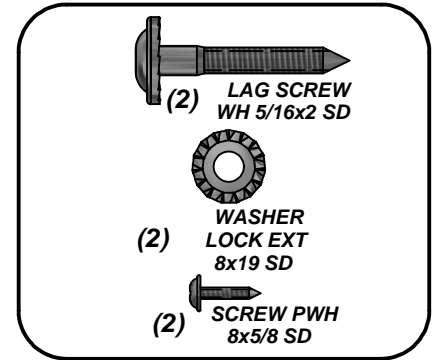


(1) **H4 - FLOOR SUPPORT - W4L11190**
1"x3 3/8"x74 3/8" (24x86x1890)

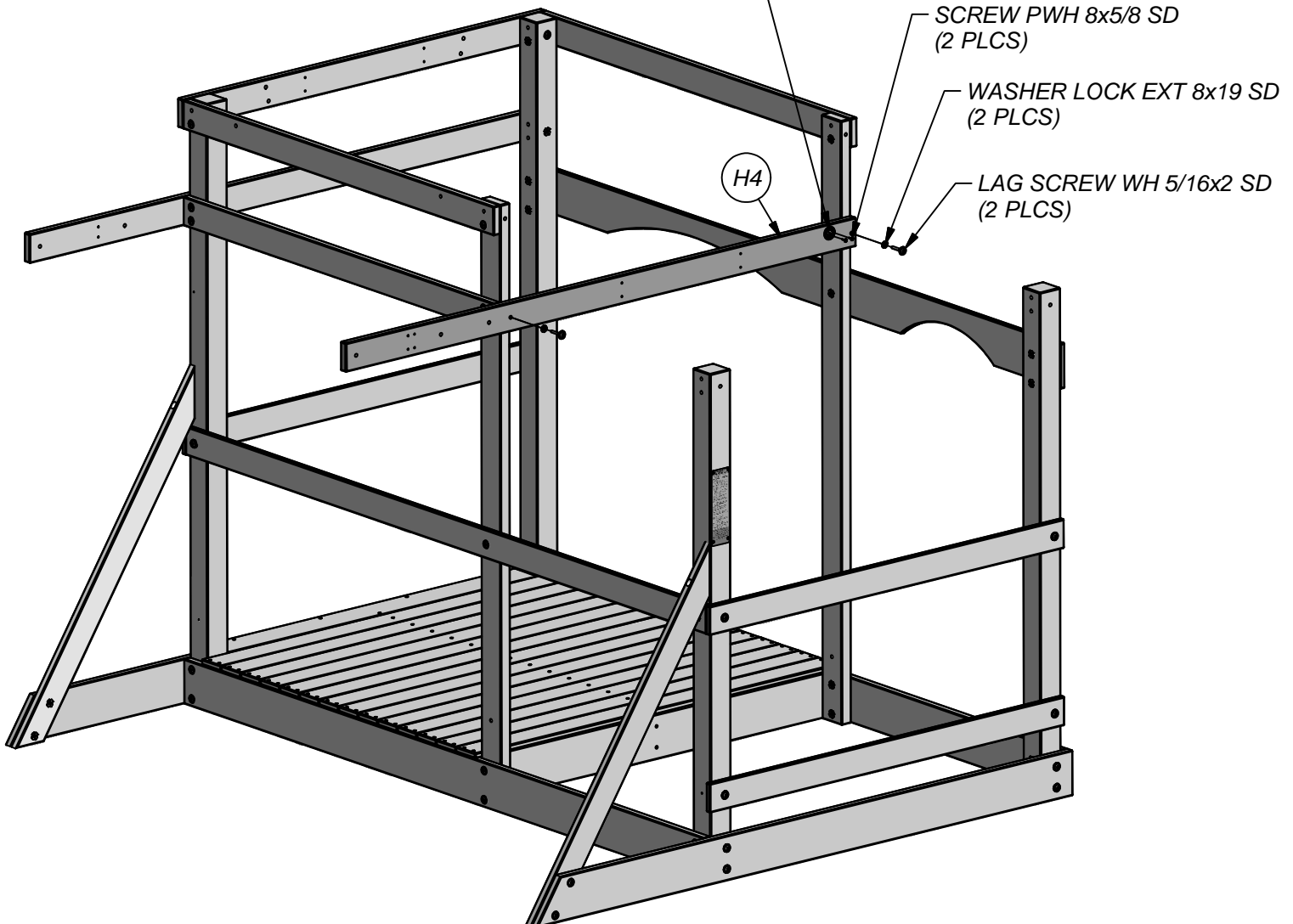


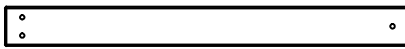
(1) - "A" REVISION TAG - A100314

STEP 7



"A" REVISION TAG
(1 PLC)



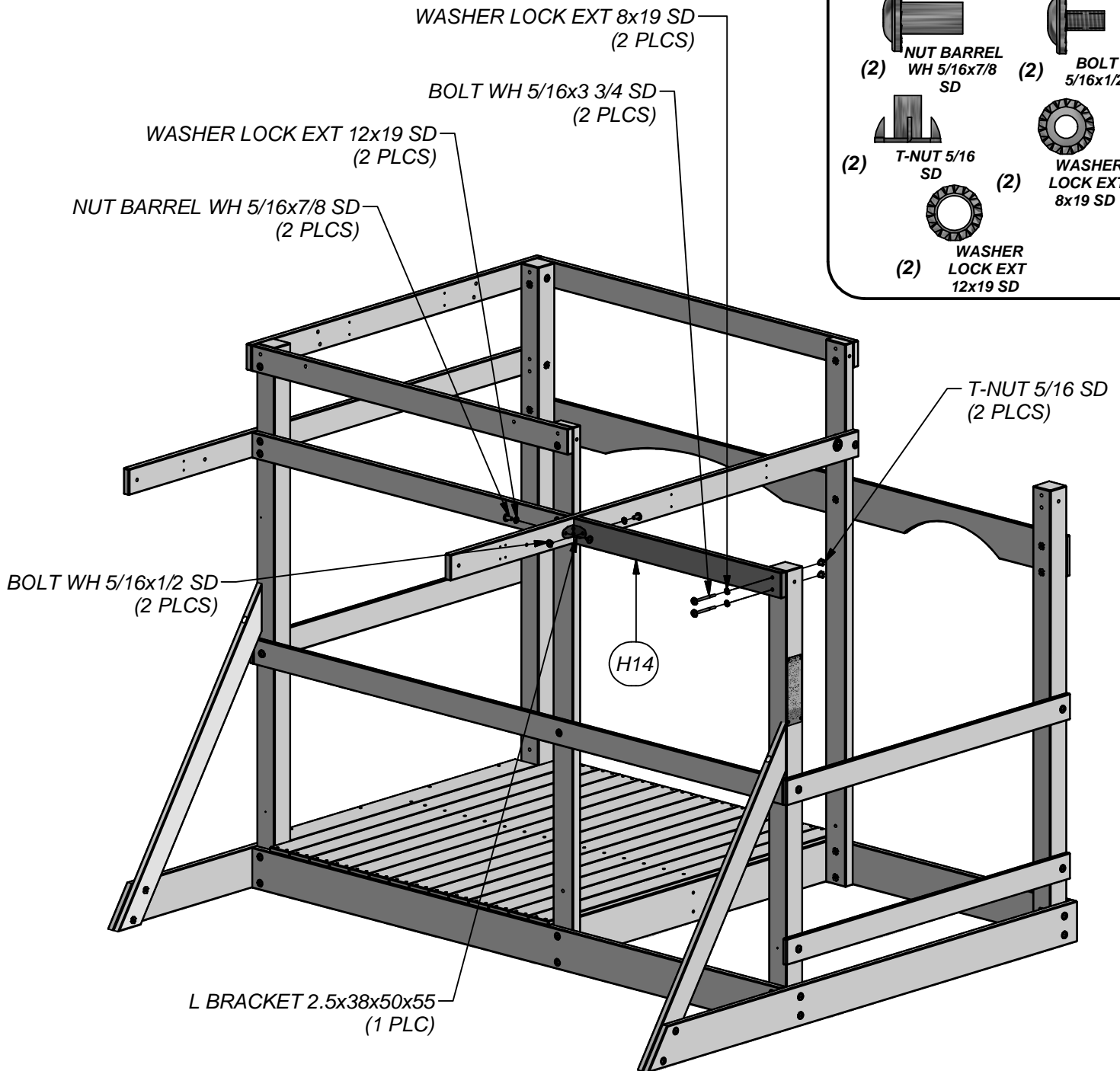
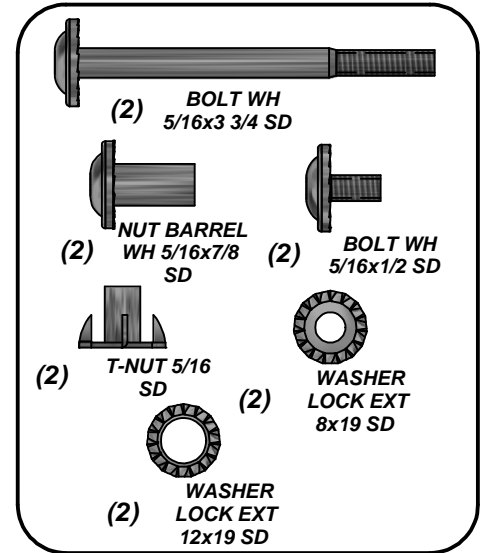


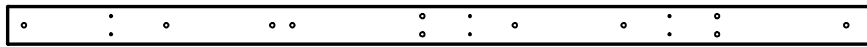
(1) **H14 - FLOOR SUPPORT - W4L11193**
 1"x3 3/8"x35 3/8" (24x86x898)



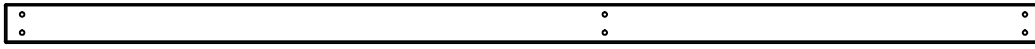
(1) **- L BRACKET 2.5x38x50x55 - A100340**

STEP 8



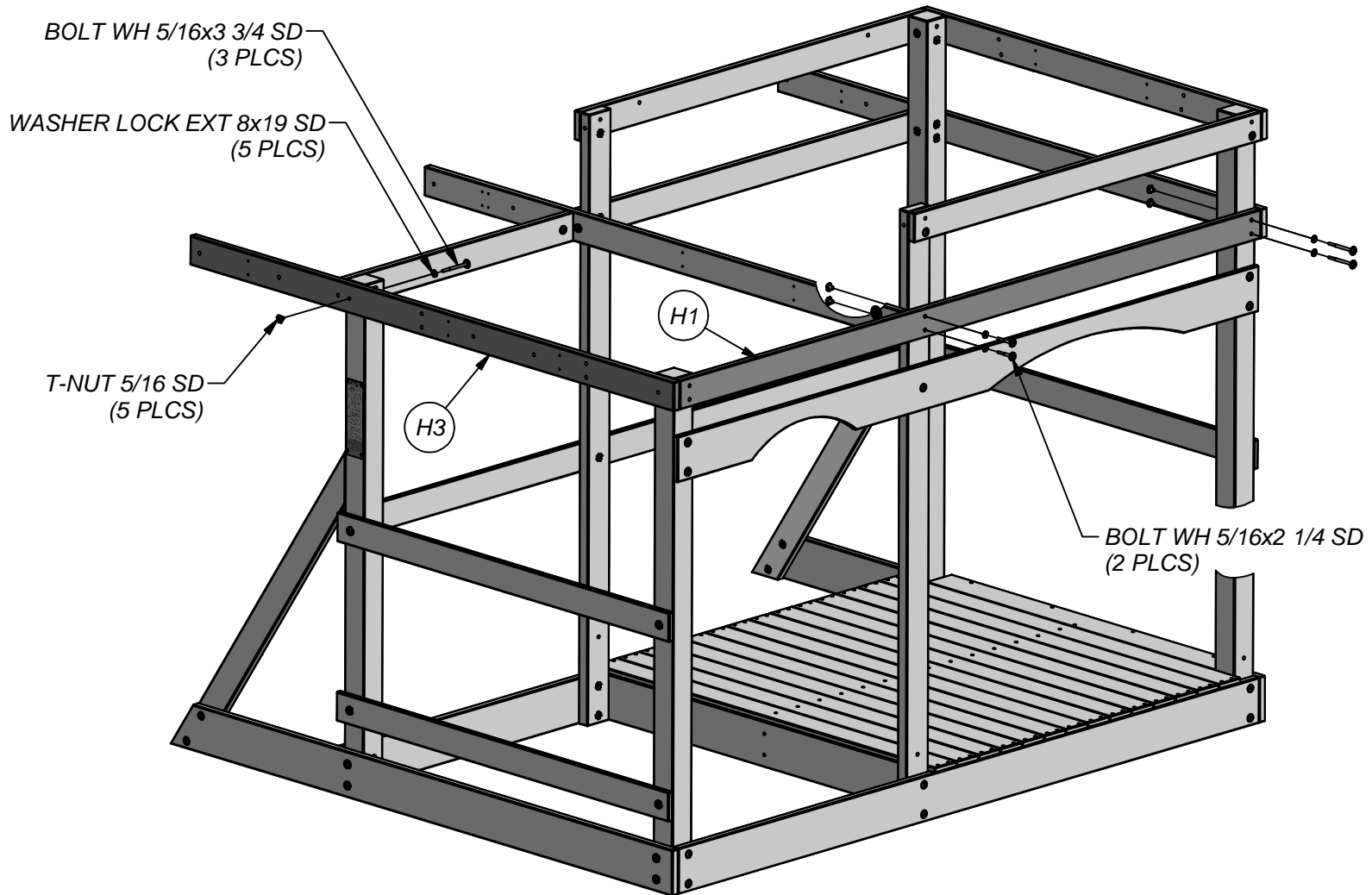
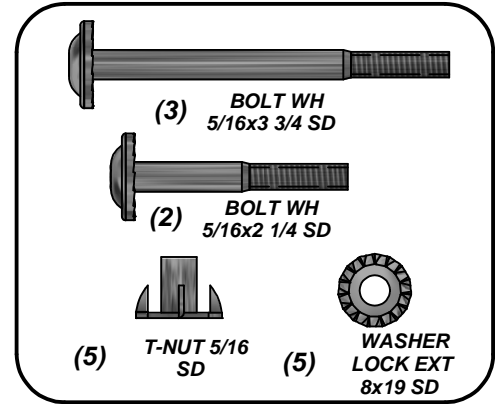


(1) **H3 - FLOOR SUPPORT - W4L09078**
1"x3 3/8"x75 3/8" (24x86x1914)



(1) **H1 - FLOOR SUPPORT - W4L09076**
1"x3 3/8"x90 1/8" (24x86x2288)

STEP 9



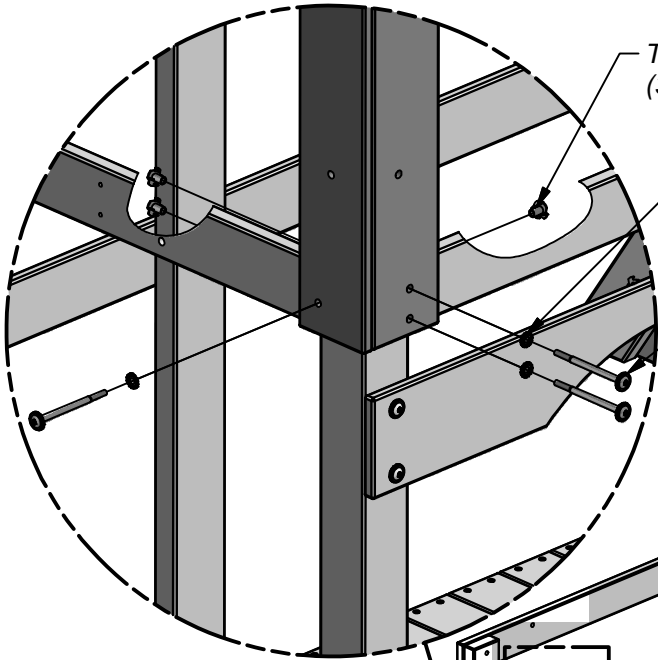
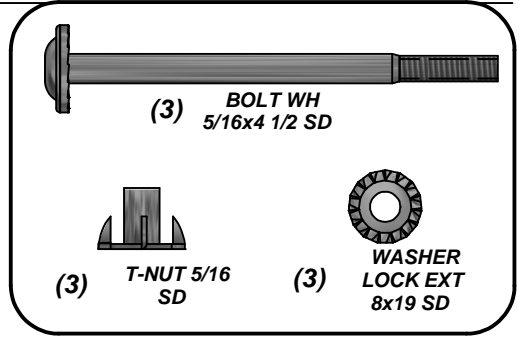


(1) L12 - CORNER BOARD - W4L11218
5/8"x4 3/8"x41 1/2" (16x112x1055)



(1) L7 - CORNER BOARD - W4L11213
5/8"x4 3/8"x31" (16x112x788)

STEP 10

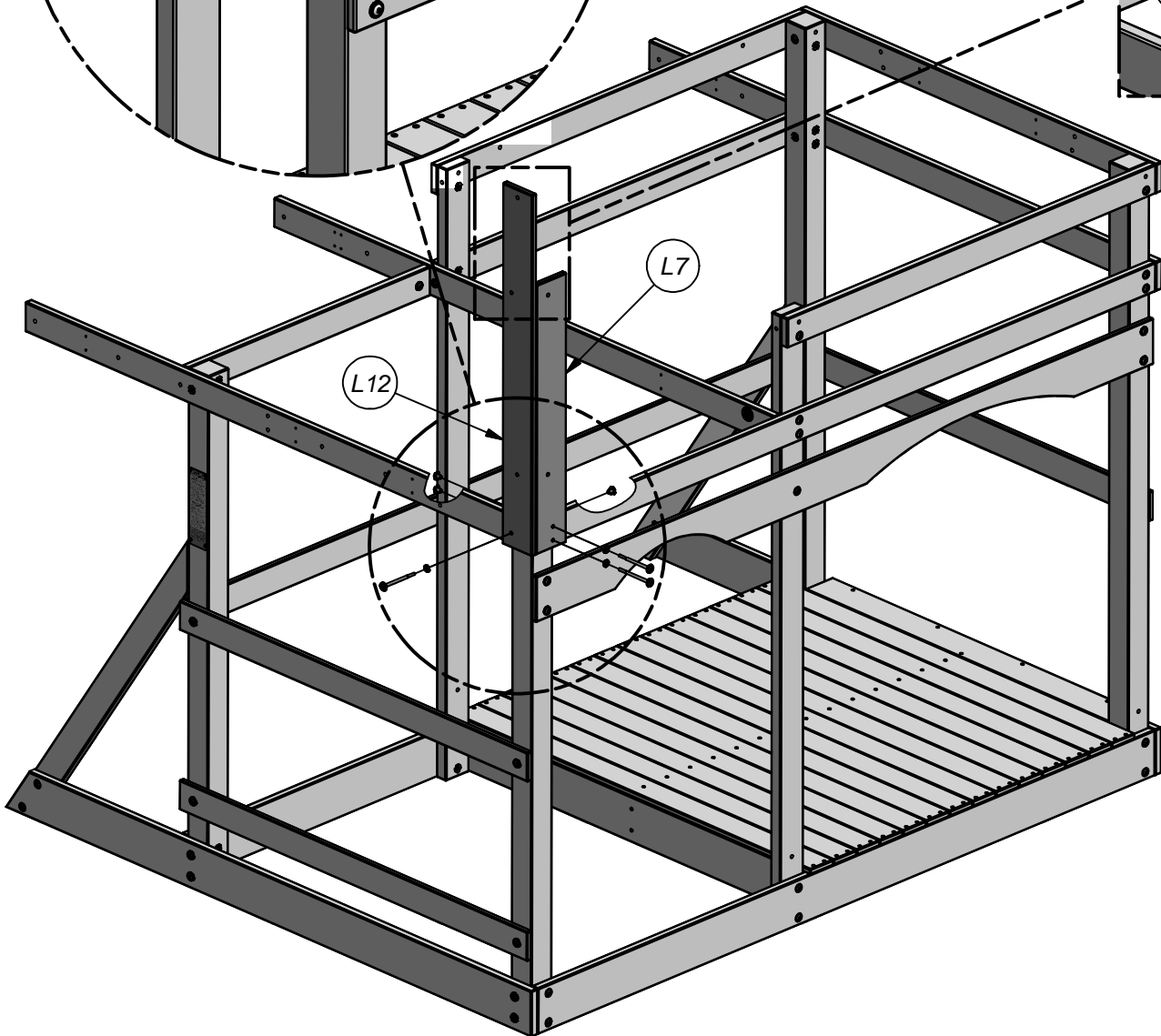
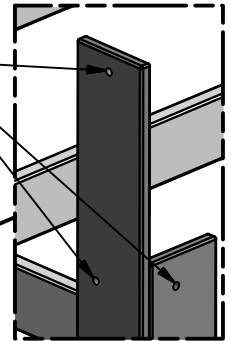


T-NUT 5/16 SD
(3 PLCS)

WASHER LOCK EXT 8x19 SD
(3 PLCS)

BOLT WH 5/16x4 1/2 SD
(3 PLCS)

NOTE HOLES



(1) E1 - FLOOR SUPPORT - W4L09077
1 3/8"x3 3/8"x92" (36x86x2336)

(1) L8 - CORNER BOARD - W4L11214
5/8"x4 3/8"x31" (16x112x788)

(2) L9 - CORNER BOARD - W4L11215
5/8"x4 3/8"x31" (16x112x788)

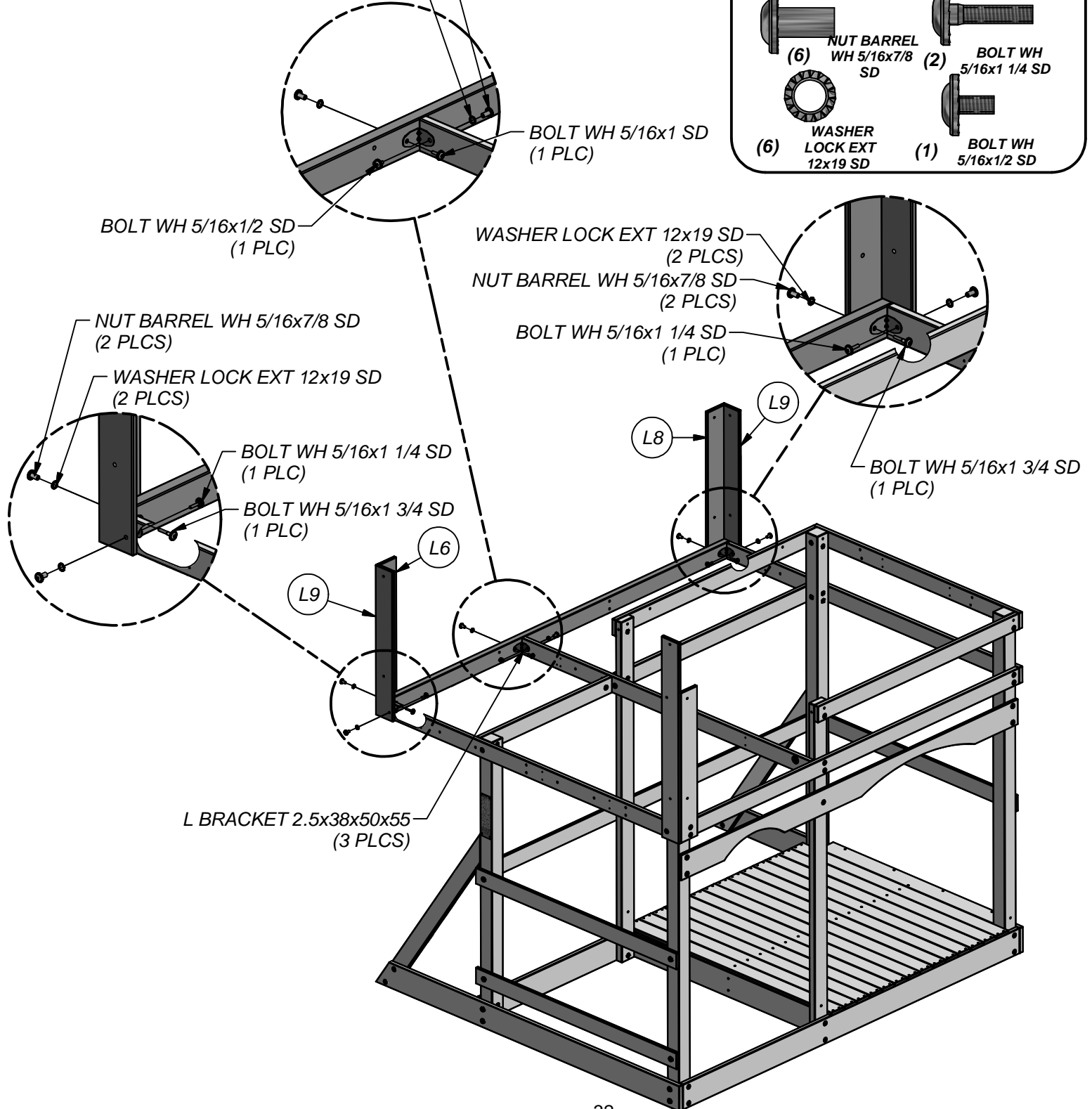
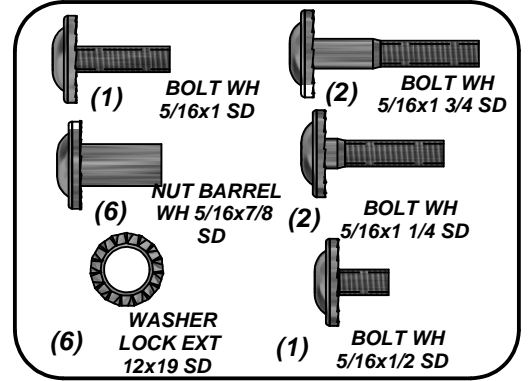
**THIS HOLE
TOWARDS
BOTTOM**

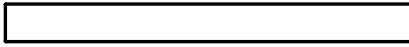
(1) L6 - CORNER BOARD - W4L11111
5/8"x4 3/8"x31" (16x112x788)

(3) - L BRACKET 2.5x38x50x55 - A100340

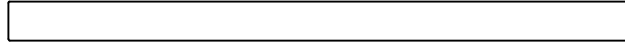
STEP 11

NUT BARREL WH 5/16x7/8 SD (2 PLCS)
WASHER LOCK EXT 12x19 SD (2 PLCS)



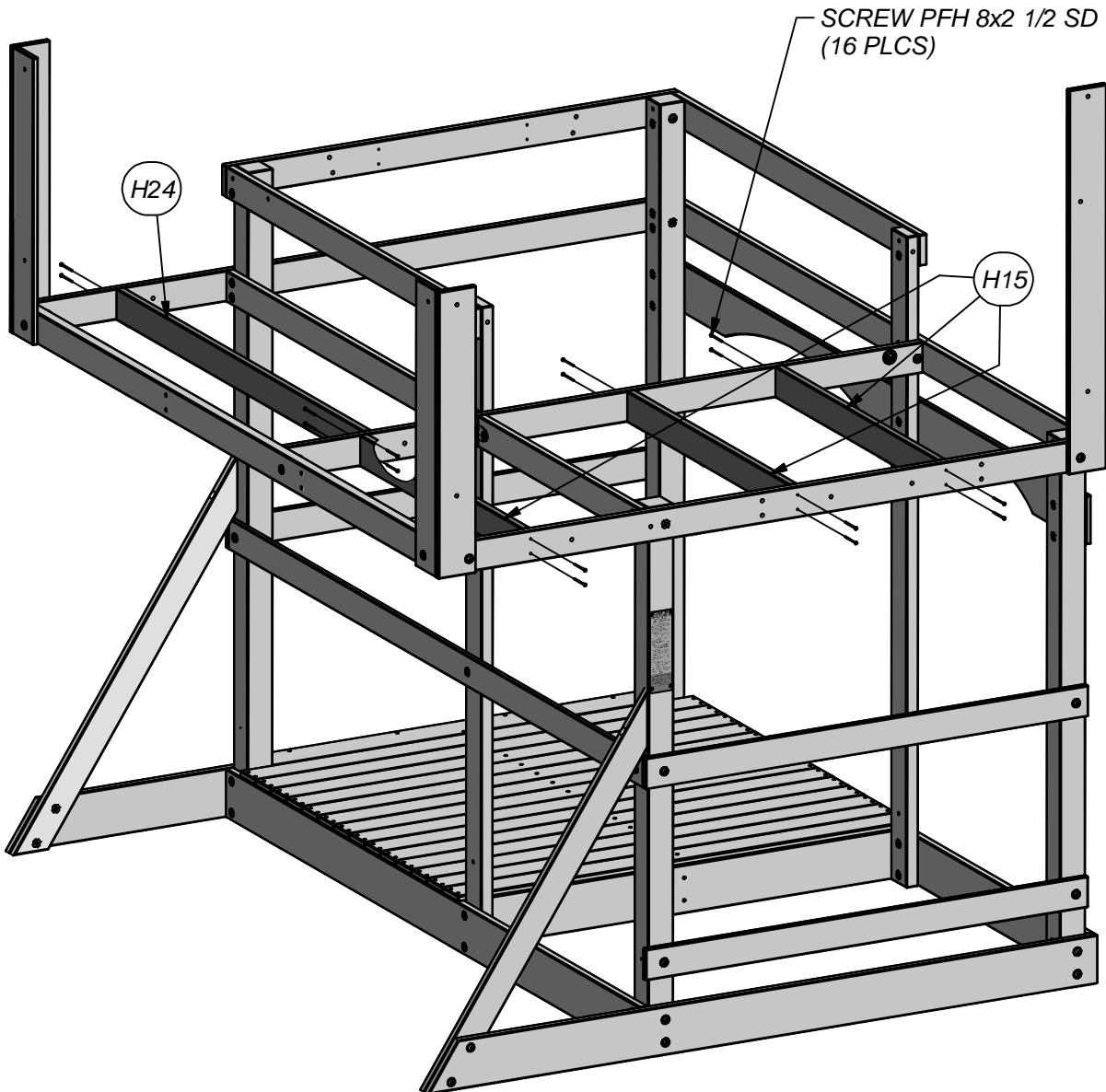
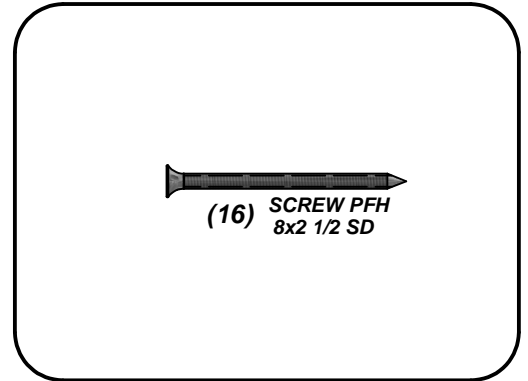


(3) H15 - FLOOR JOIST - W4L11194
1"x3 3/8"x35 3/8" (24x86x898)



(1) H24 - FLOOR JOIST - W4L11451
1"x3 3/8"x53 3/4" (24x86x1366)

STEP 12

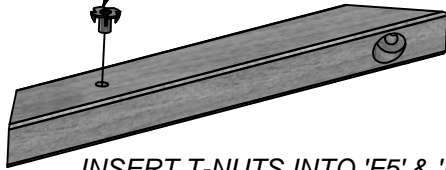


(3) **F5 - BRACE - W4L11187**
 1 3/8"x2 3/8"x18 1/8" (36x60x460)

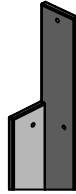
(2) **F6 - BRACE - W4L11632**
 1 3/8"x2 3/8"x18 1/8" (36x60x460)

STEP 13

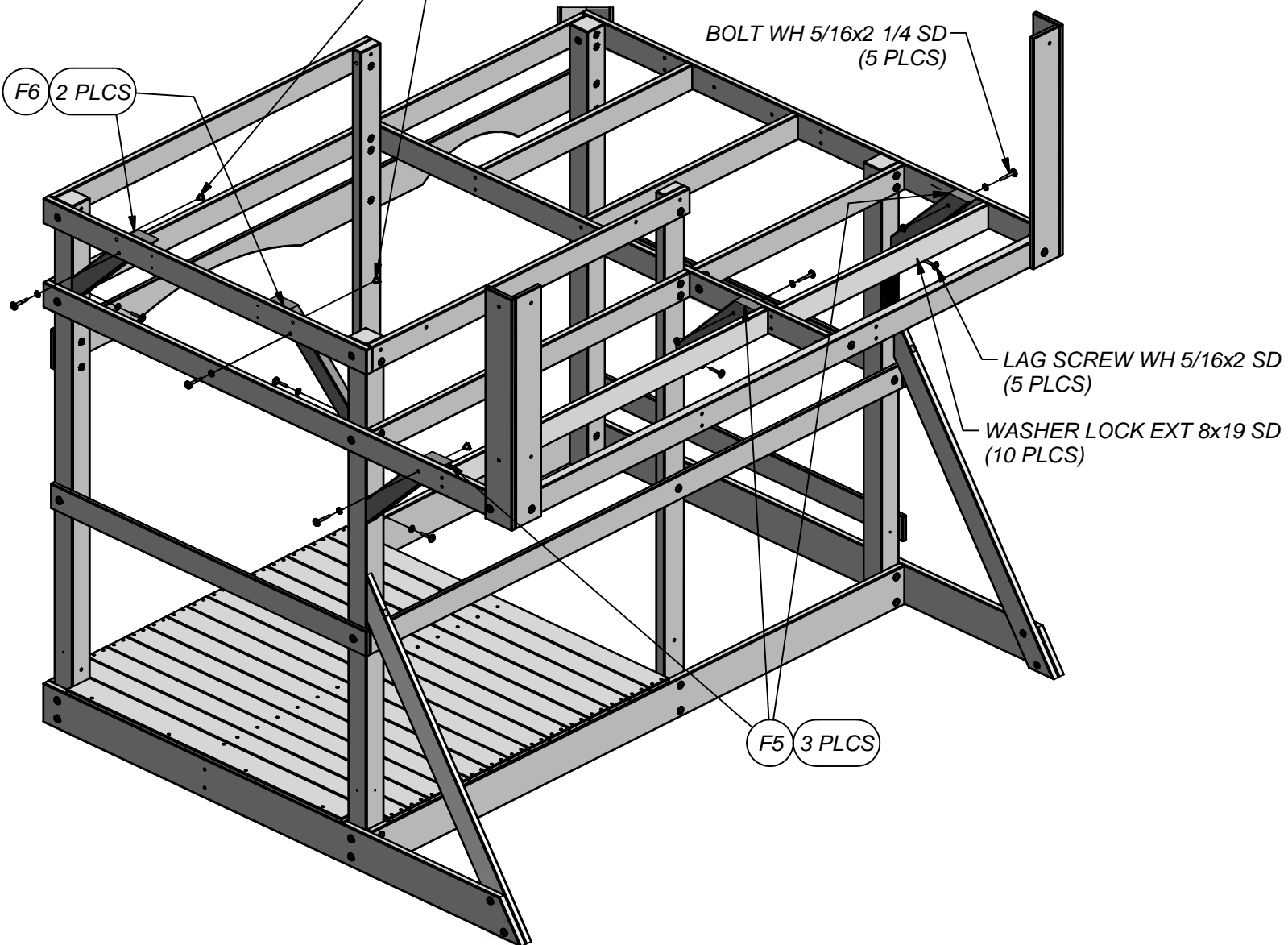
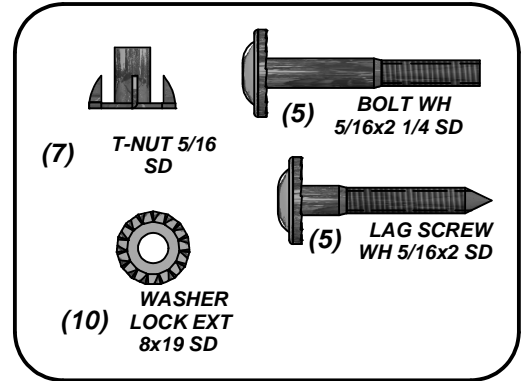
T-NUT 5/16 SD
 (5 PLCS)

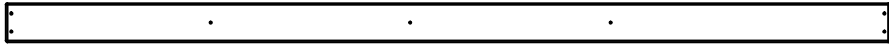


INSERT T-NUTS INTO 'F5' & 'F6'
 BRACE BEFORE INSTALLING.



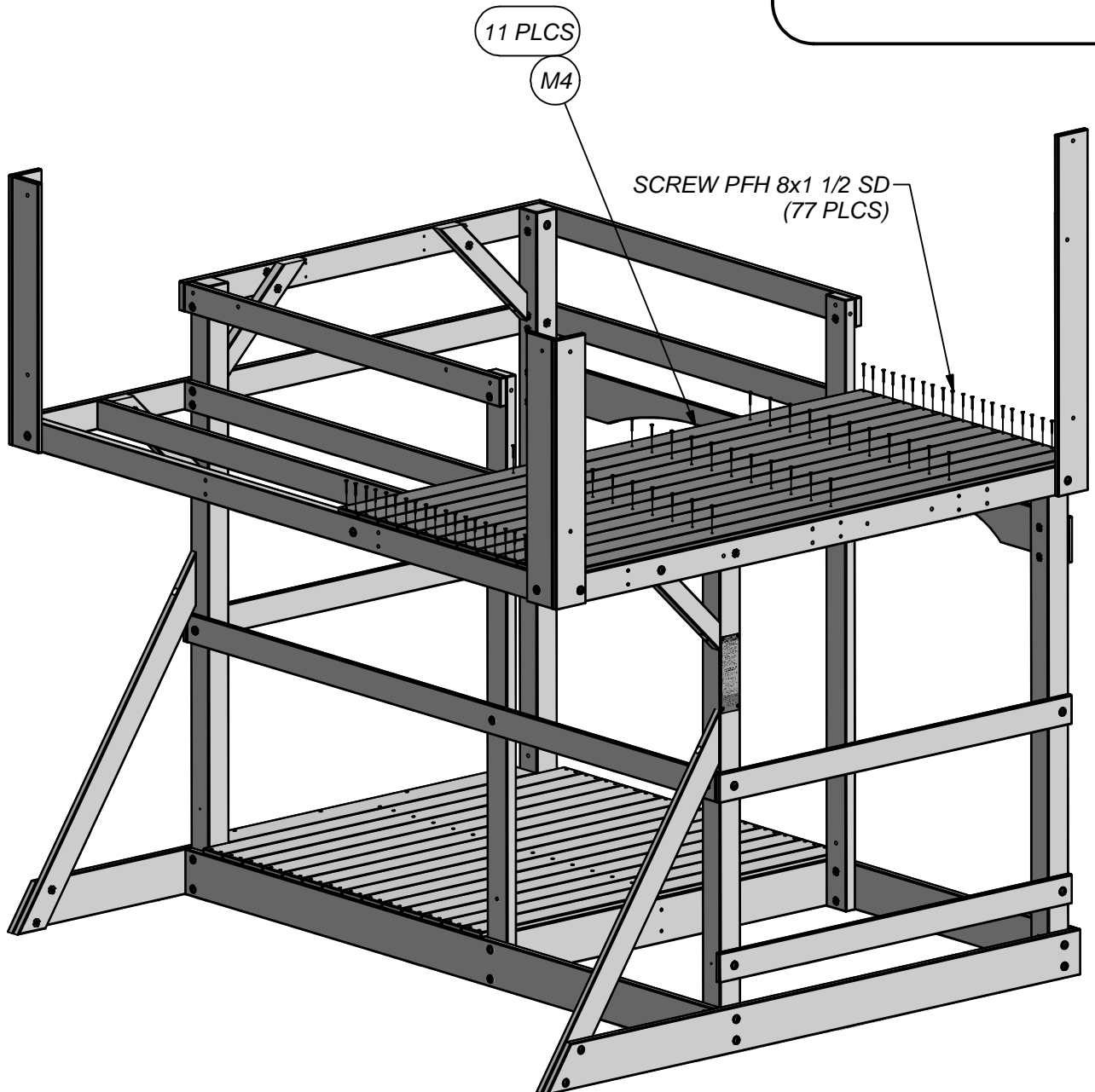
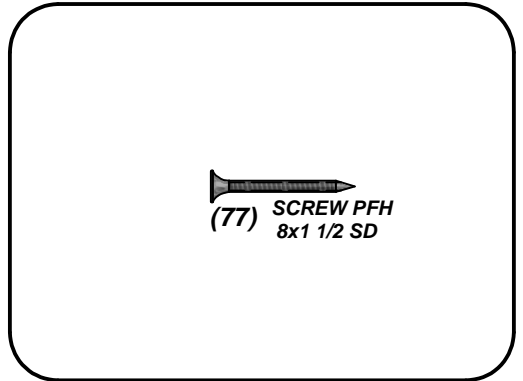
T-NUT 5/16 SD
 (2 PLCS)
 INSTALL THESE BEFORE
 INSTALLING BRACES.

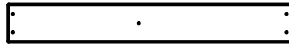




(11) M4 - FLOOR BOARD - W4L11219
5/8"x3 3/8"x76 3/4" (16x86x1950)

STEP 14





(16) **M18 - FLOOR BOARD - W4L11228**
5/8"x3 3/8"x24 3/4" (16x86x628)

STEP 15

SCREW PFH 8x1 1/2 SD
(79 PLCS)

SCREW PFH 8x1 1/4 SD
(1 PLC)

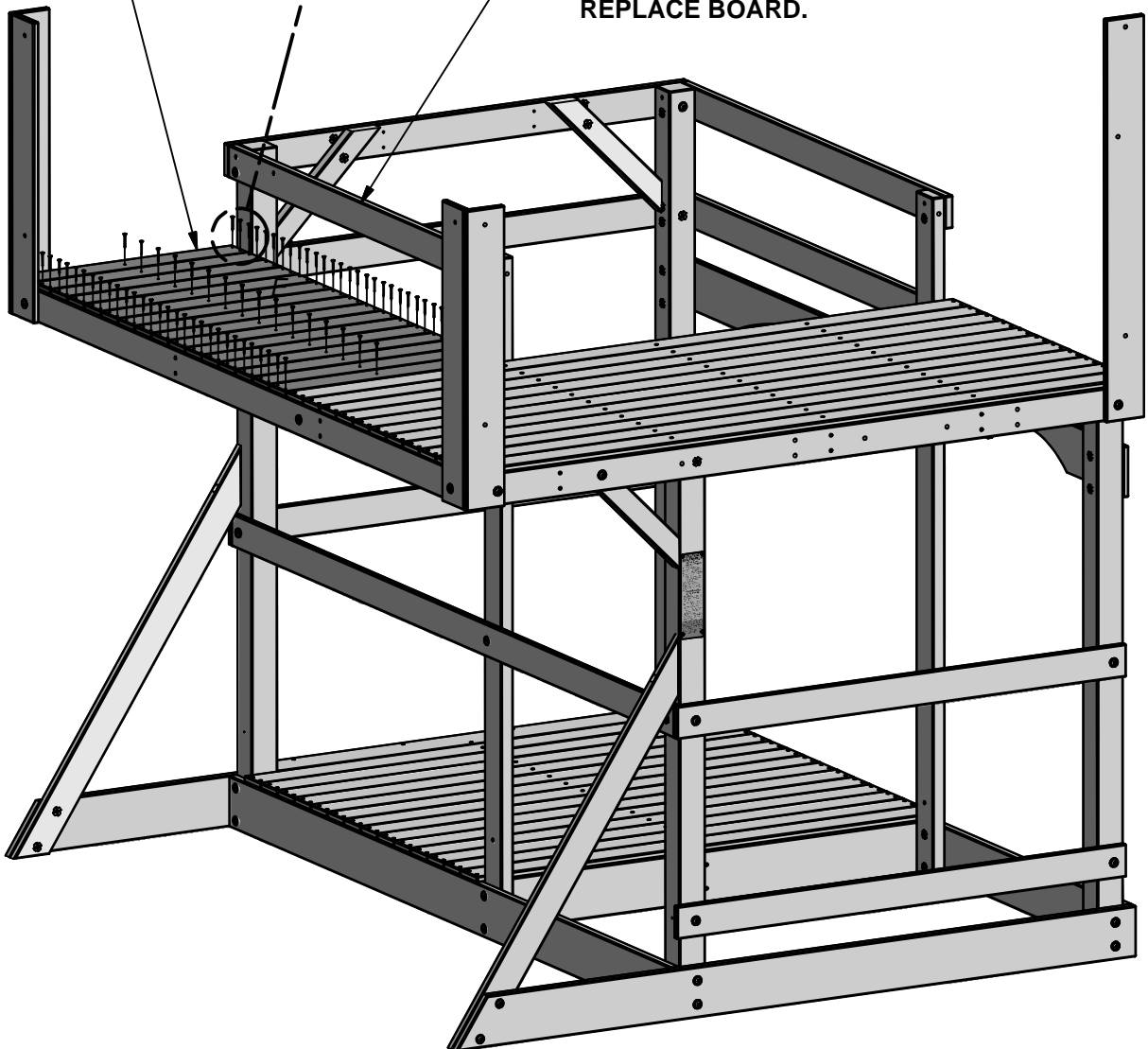
16 PLCS

M18

NOTE: YOU WILL NEED TO REMOVE THIS BOARD TO ACCESS 'M18' SCREW HOLES. INSERT SCREWS THEN REPLACE BOARD.

(79) SCREW PFH
8x1 1/2 SD

(1) SCREW PFH
8x1 1/4 SD



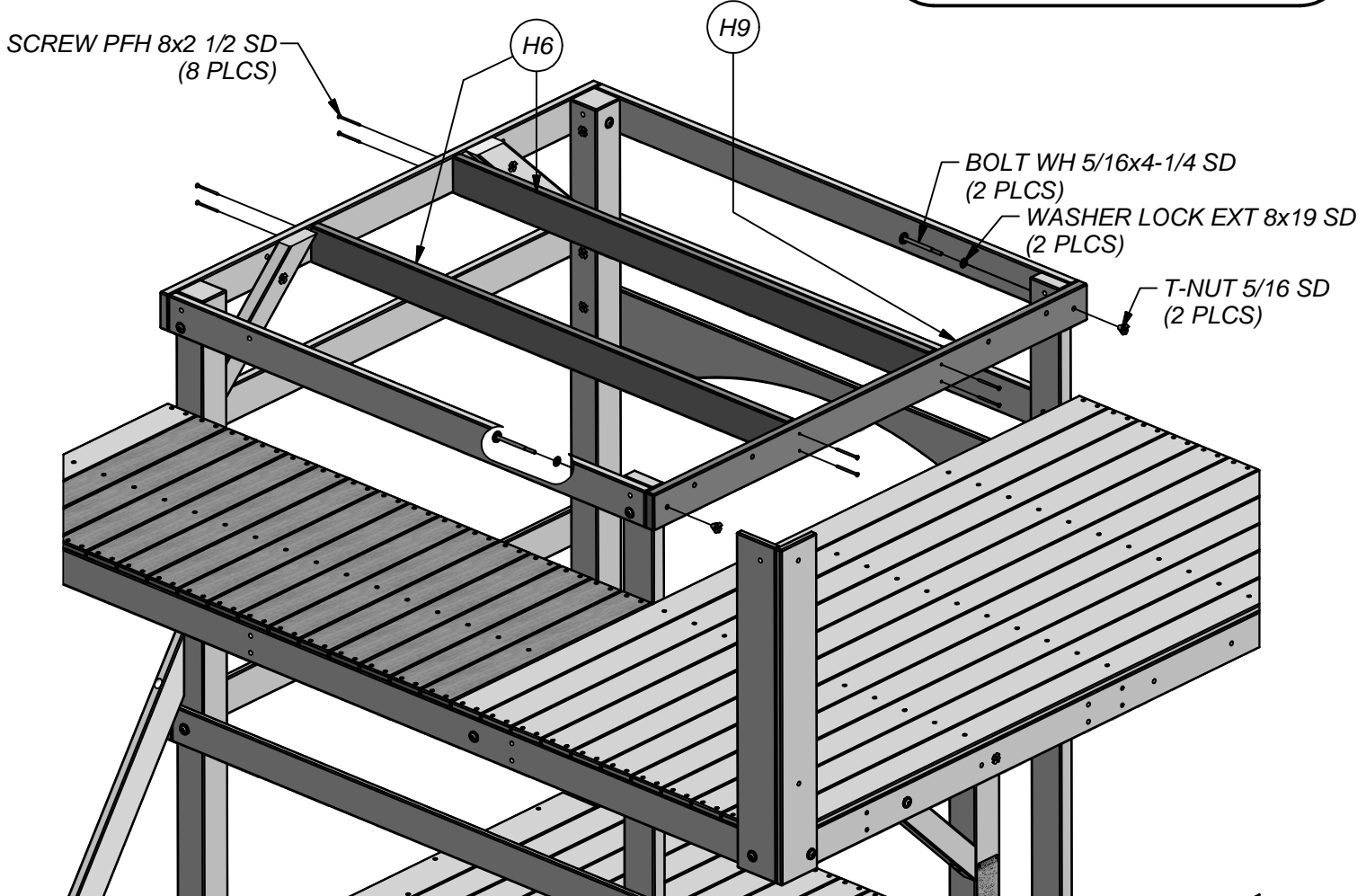
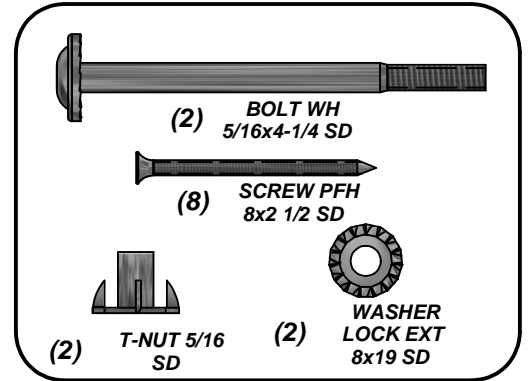


(1) **H9 - FLOOR SUPPORT - W4L09072**
1"x3 3/8"x53" (24x86x1346)



(2) **H6 - FLOOR JOIST - W4L11191**
1"x3 3/8"x53 3/4" (24x86x1366)

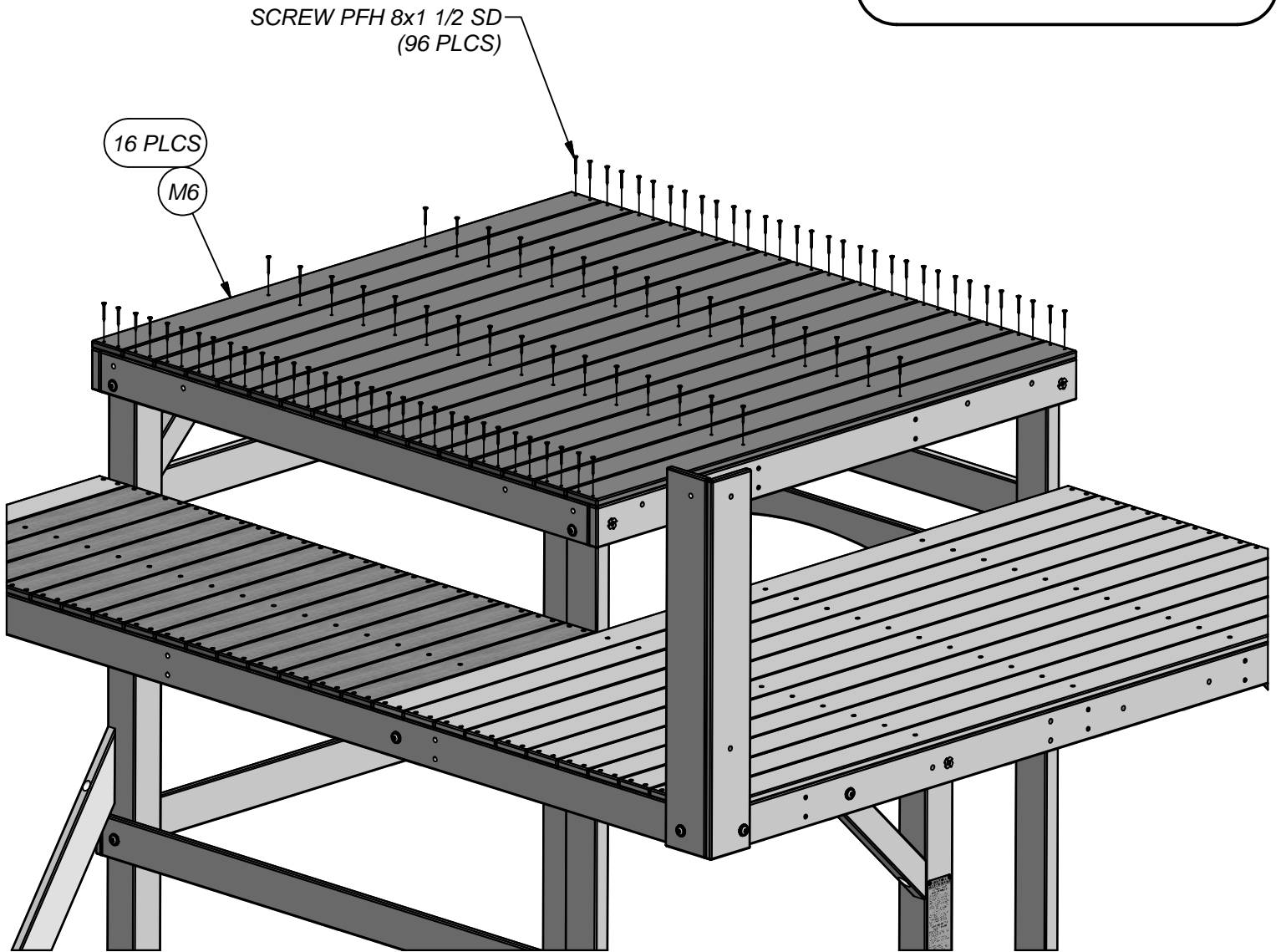
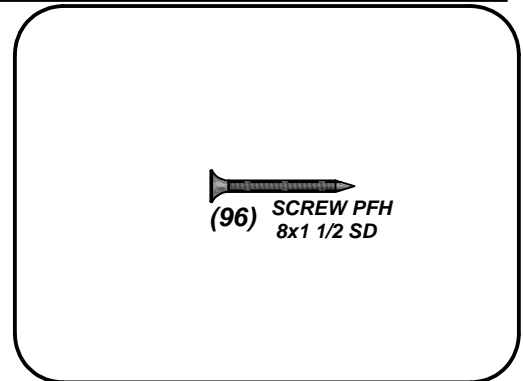
STEP 16





(16) M6 - FLOOR BOARD - W4L11221
5/8"x3 3/8"x53" (16x86x1346)

STEP 17



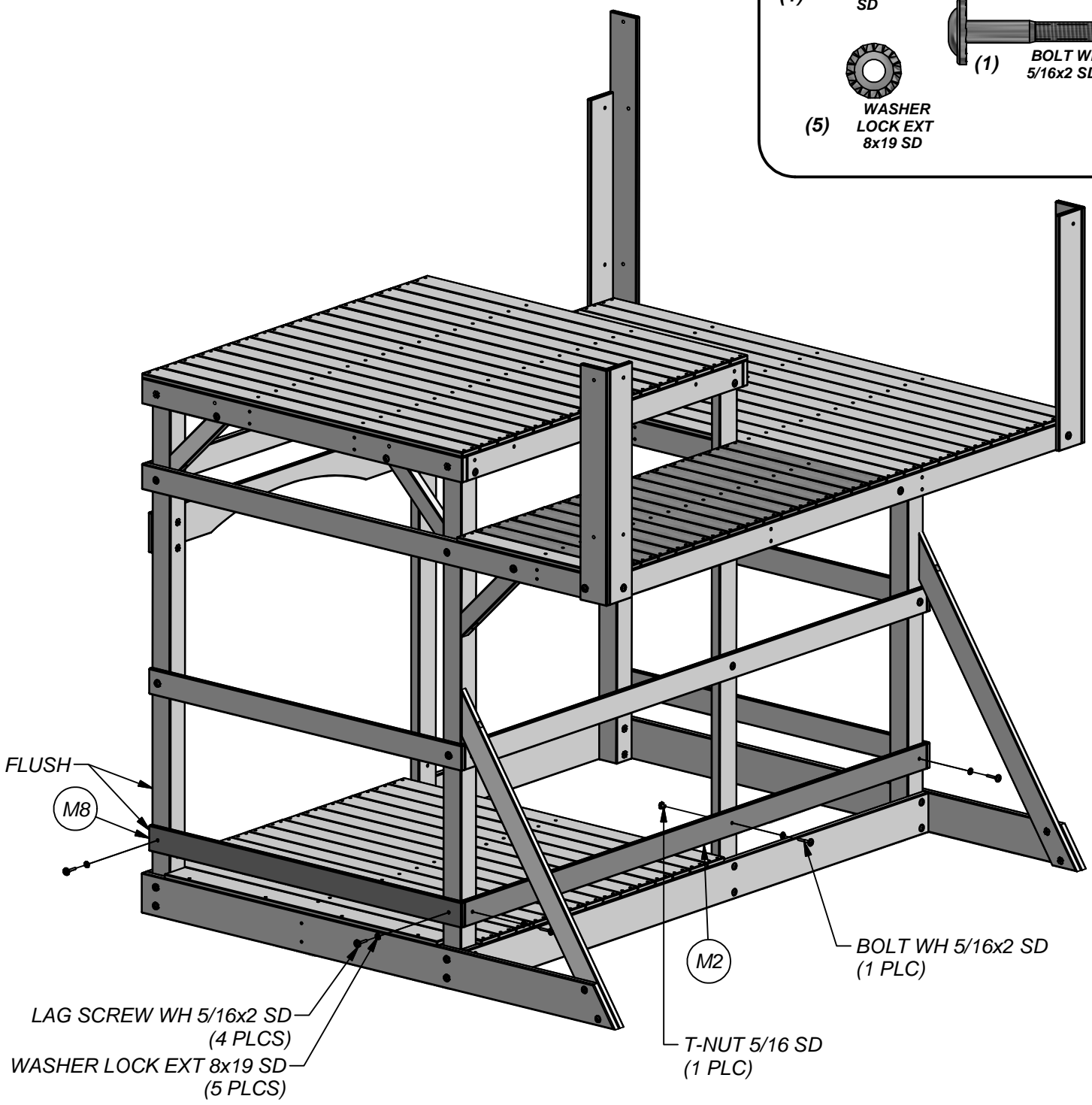
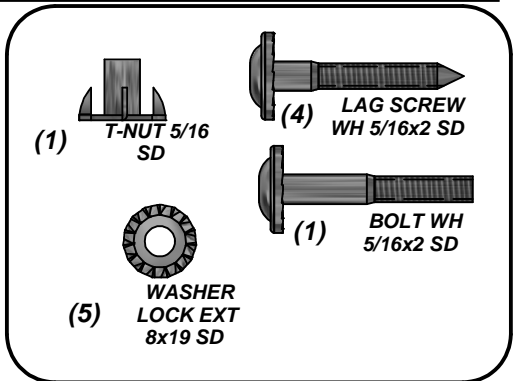


(1) M8 - WALL RAIL - W4L09085
5/8"x3 3/8"x51 3/4" (16x86x1314)



(1) M2 - WALL RAIL - W4L09088
5/8"x3 3/8"x90 1/8" (16x86x2288)

STEP 18





(2) **M10 - WALL BOARD - W4L11223**
5/8"x3 3/8"x41 1/8" (16x86x1044)



(2) **L4 - WALL BOARD - W4L11211**
5/8"x4 3/8"x41 1/8" (16x112x1044)



(1) **M27 - WALL RAIL - W4L09083**
5/8"x3 3/8"x10 3/4" (16x86x274)

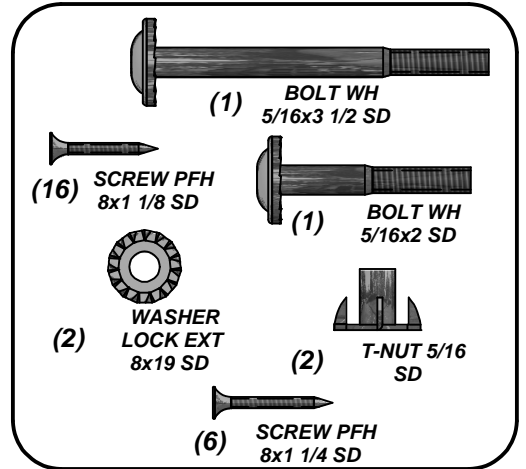
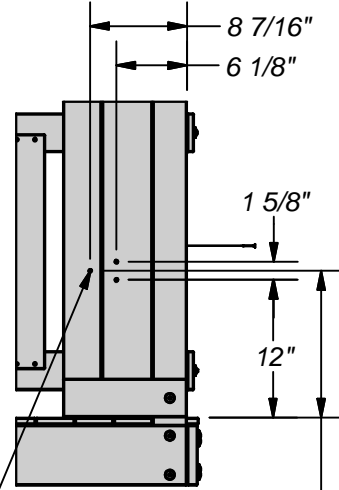
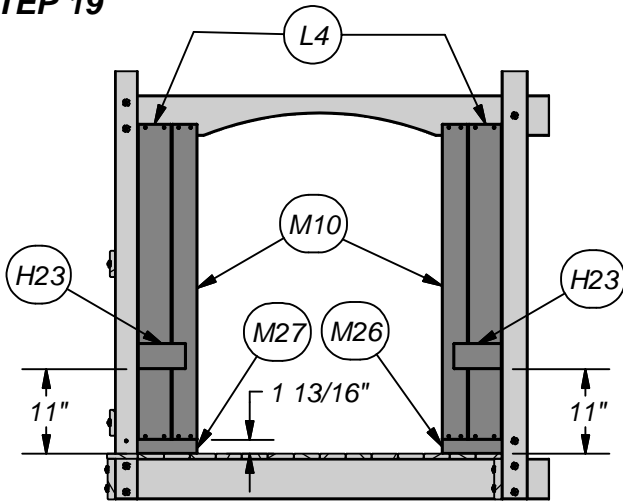


(1) **M26 - WALL RAIL - W4L09082**
5/8"x3 3/8"x11 1/8" (16x86x284)



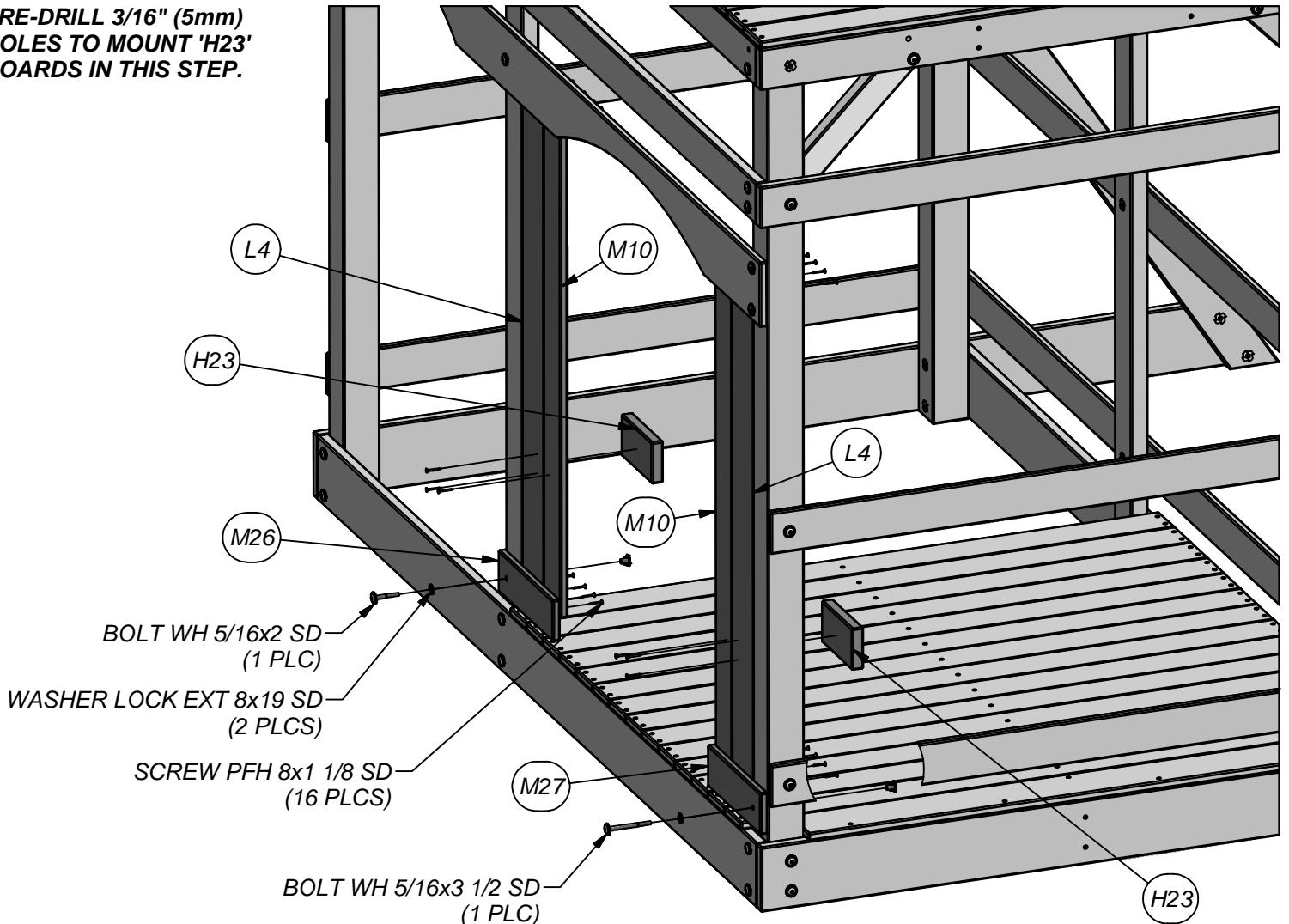
(2) **H23 - SUPPORT BOARD - W4L11452**
1"x3 3/8"x6 1/4" (24x86x160)

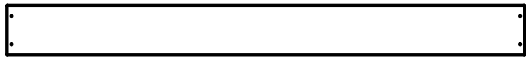
STEP 19



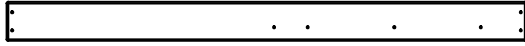
SCREW PFH 8x1 1/4 SD
(6 PLCS)

NOTE:
PRE-DRILL 3/16" (5mm)
HOLES TO MOUNT 'H23'
BOARDS IN THIS STEP.





(2) **L2 - WALL BOARD - W4L11209**
5/8"x4 3/8"x45 1/8" (16x112x1146)

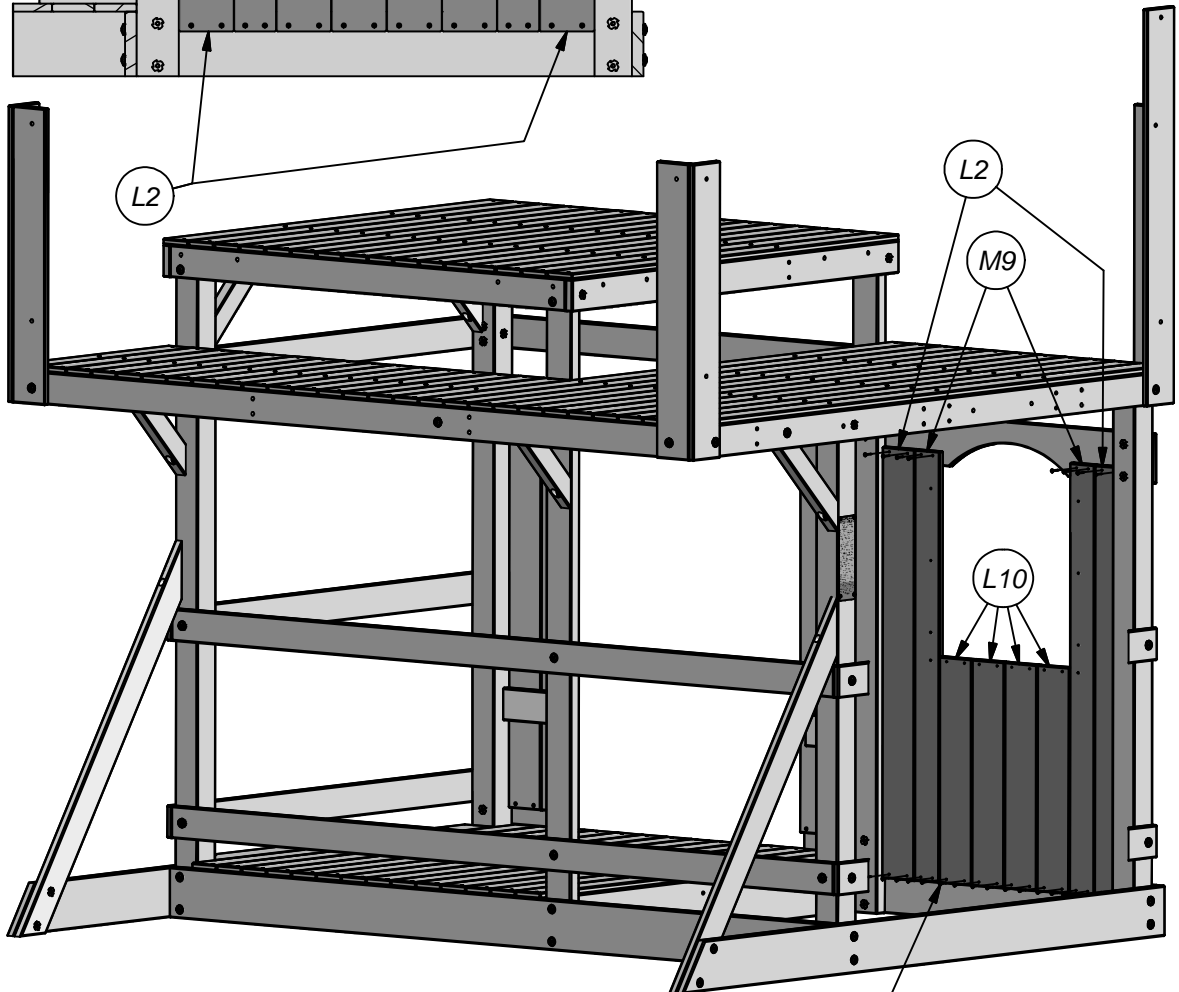
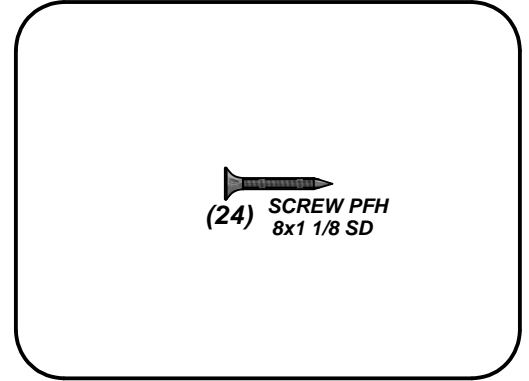
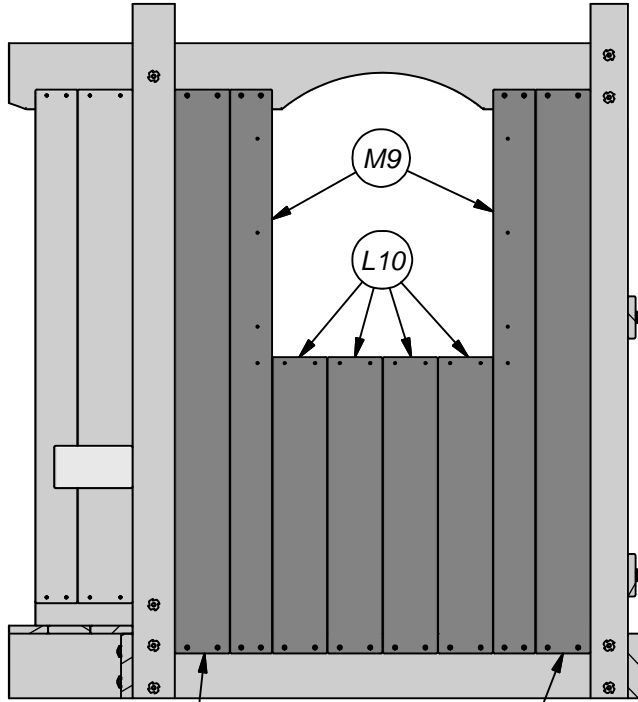


(2) **M9 - WALL BOARD - W4L11222**
5/8"x3 3/8"x45 1/8" (16x86x1146)



(4) **L10 - WALL BOARD - W4L11216**
5/8"x4 3/8"x23 3/4" (16x112x602)

STEP 20

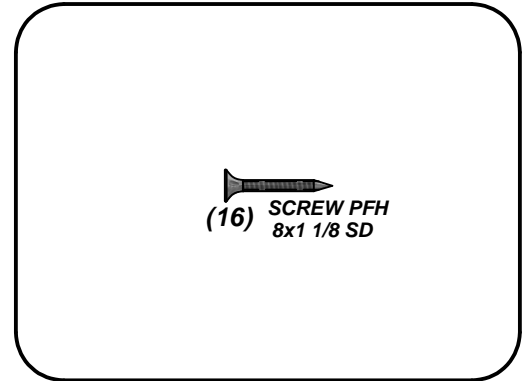
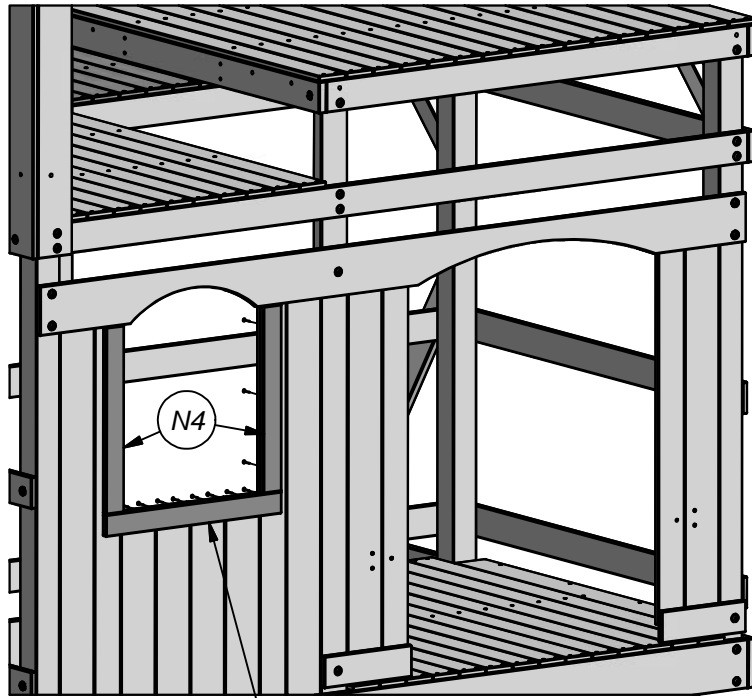


SCREW PFH 8x1 1/8 SD
(24 PLCS)

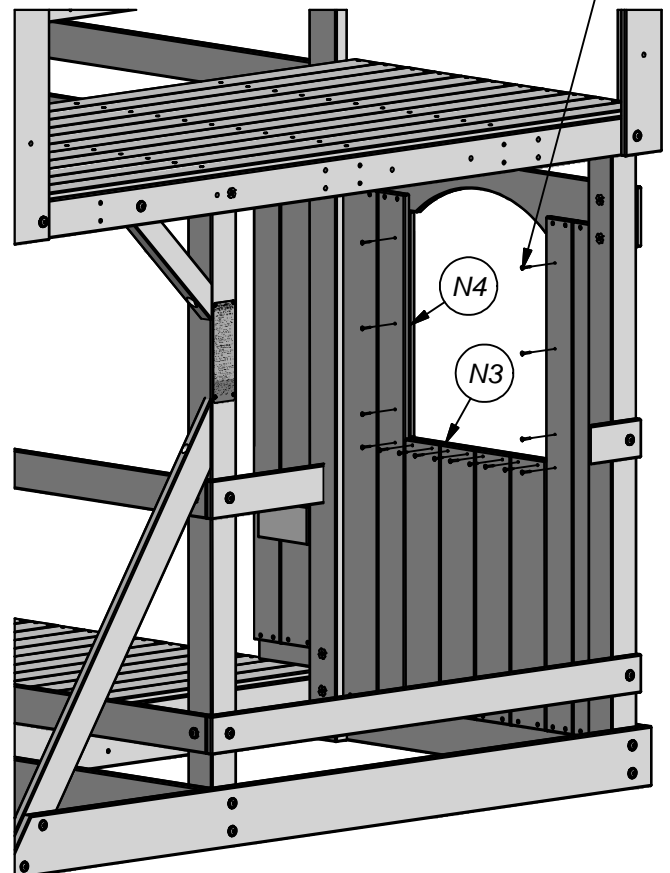
(2) **N4 - WINDOW TRIM - W4L09080**
5/8"x2 3/8"x19 7/8" (16x60x504)

(1) **N3 - WINDOW TRIM - W4L09081**
5/8"x2 3/8"x22 1/2" (16x60x570)

STEP 21



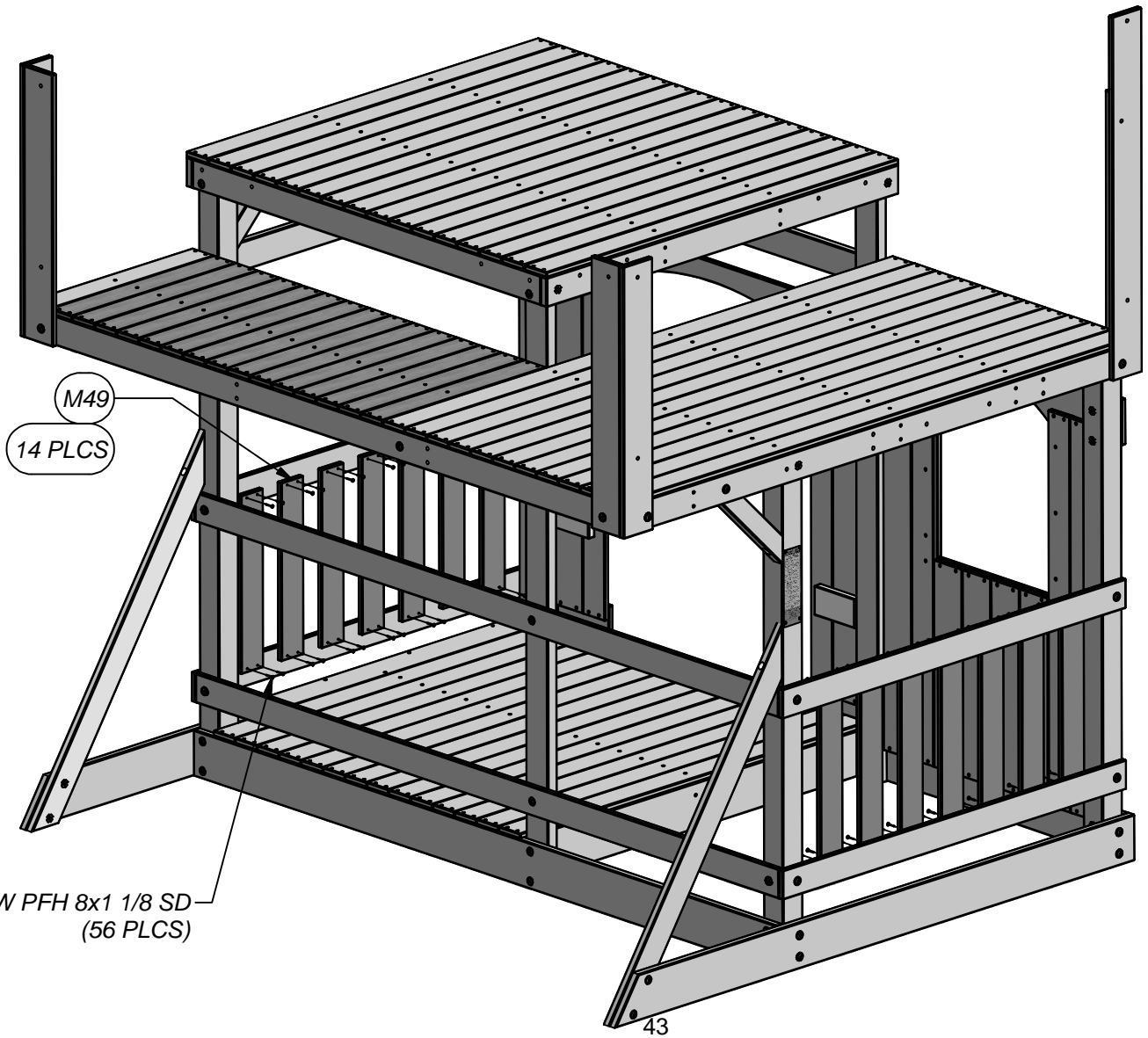
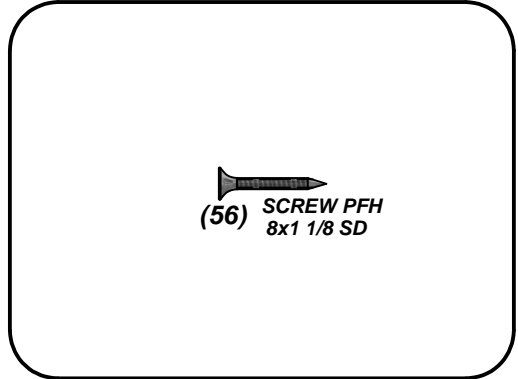
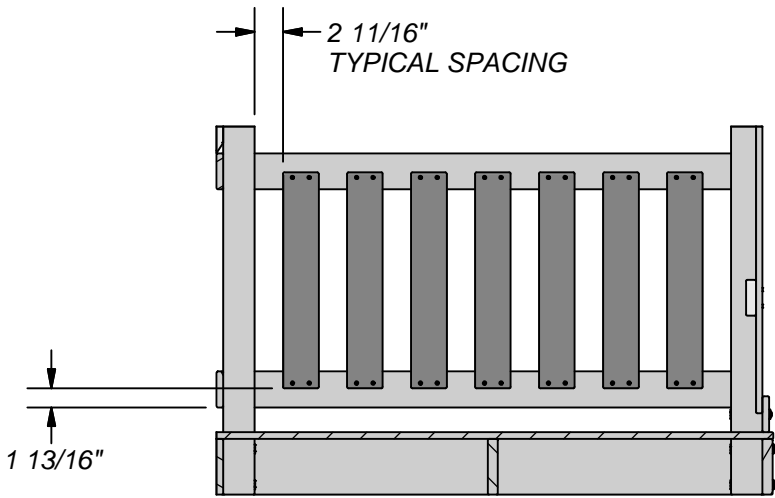
SCREW PFH 8x1 1/8 SD
(16 PLCS)





(14) **M49 - PICKET - 53 - W4L11234**
5/8"x3 3/8"x20 3/8" (16x86x518)

STEP 22



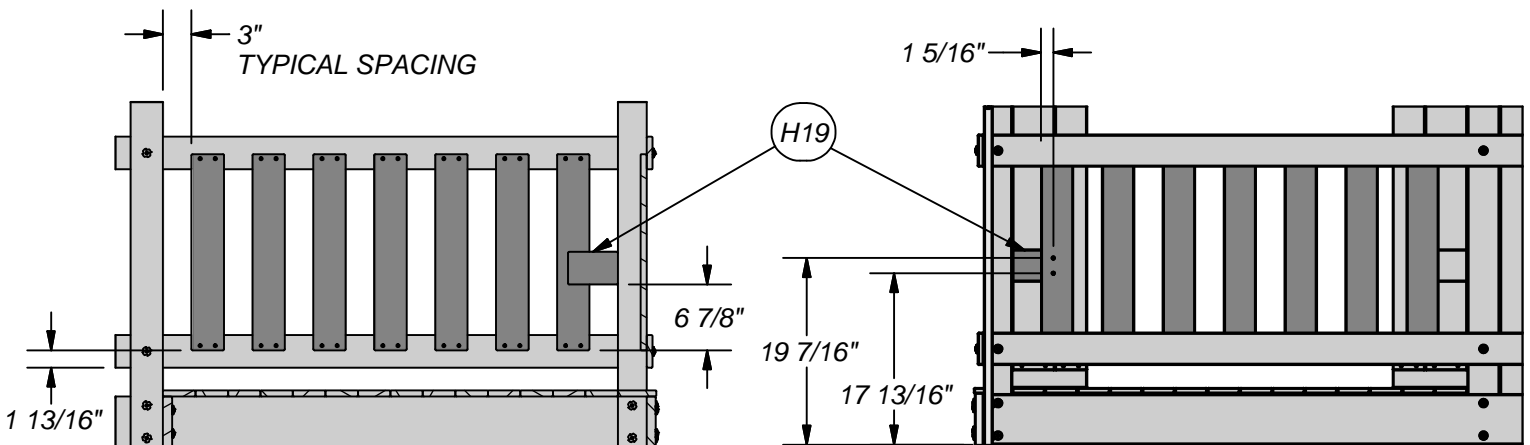
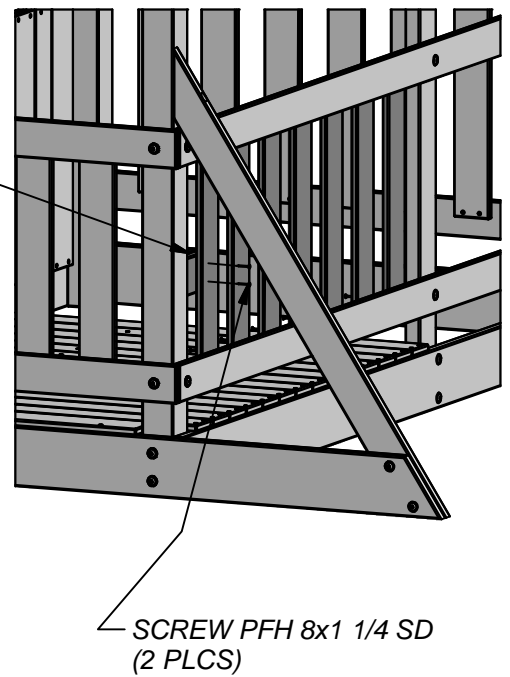
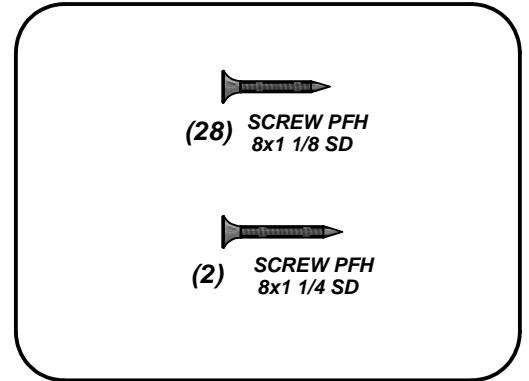
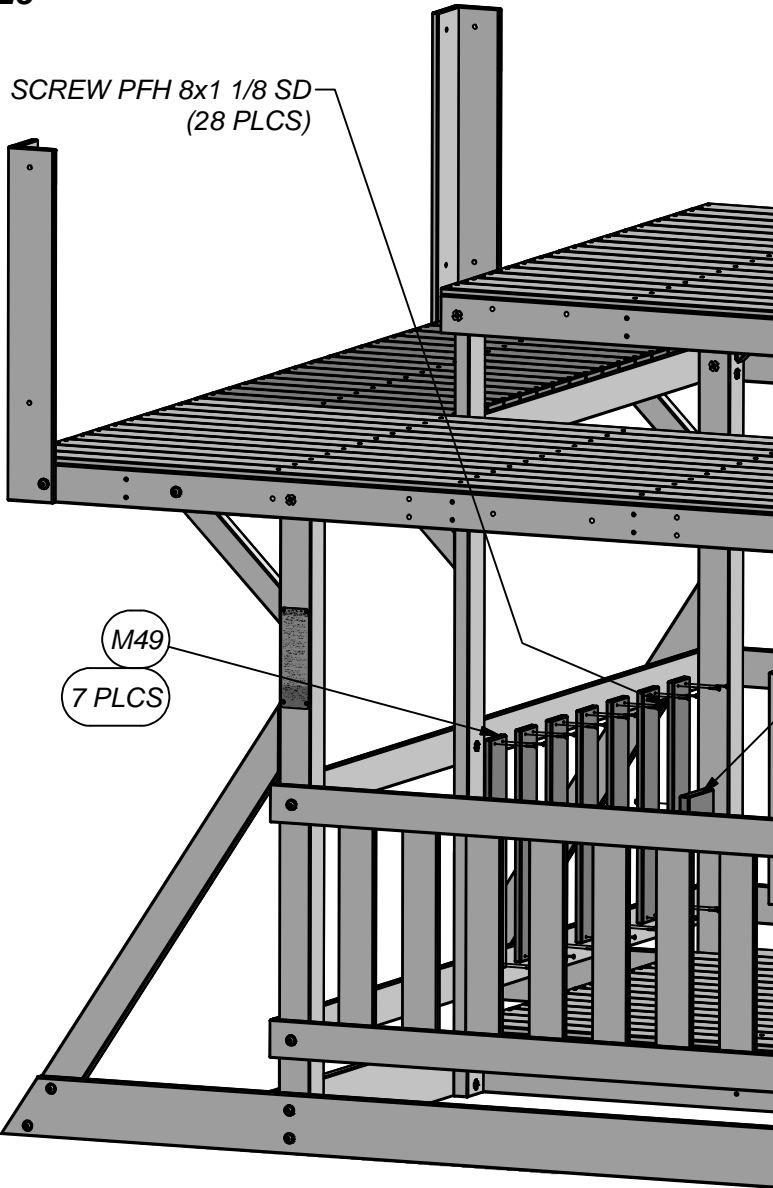


(1) **H19 - SUPPORT BOARD - W4L11196**
 1"x3 3/8"x5 1/4" (24x86x132)



(7) **M49 - PICKET - 53 - W4L11234**
 5/8"x3 3/8"x20 3/8" (16x86x518)

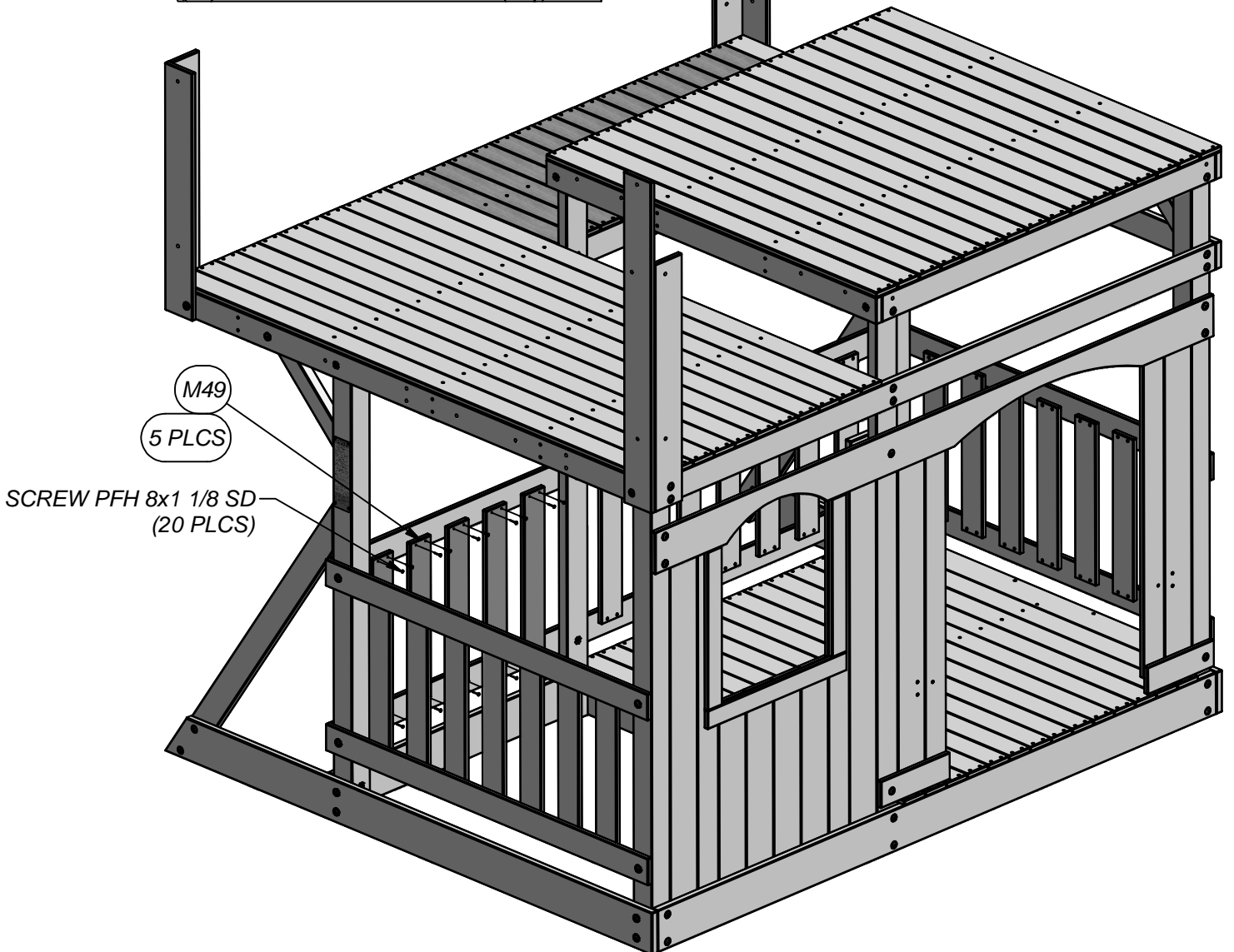
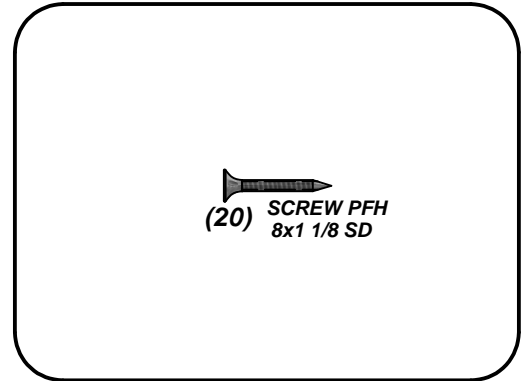
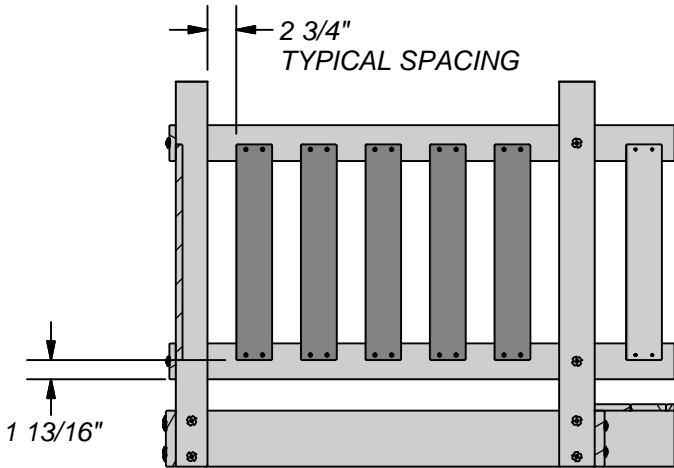
STEP 23





(5) M49 - PICKET - 53 - W4L11234
5/8" x 3 3/8" x 20 3/8" (16x86x518)

STEP 24

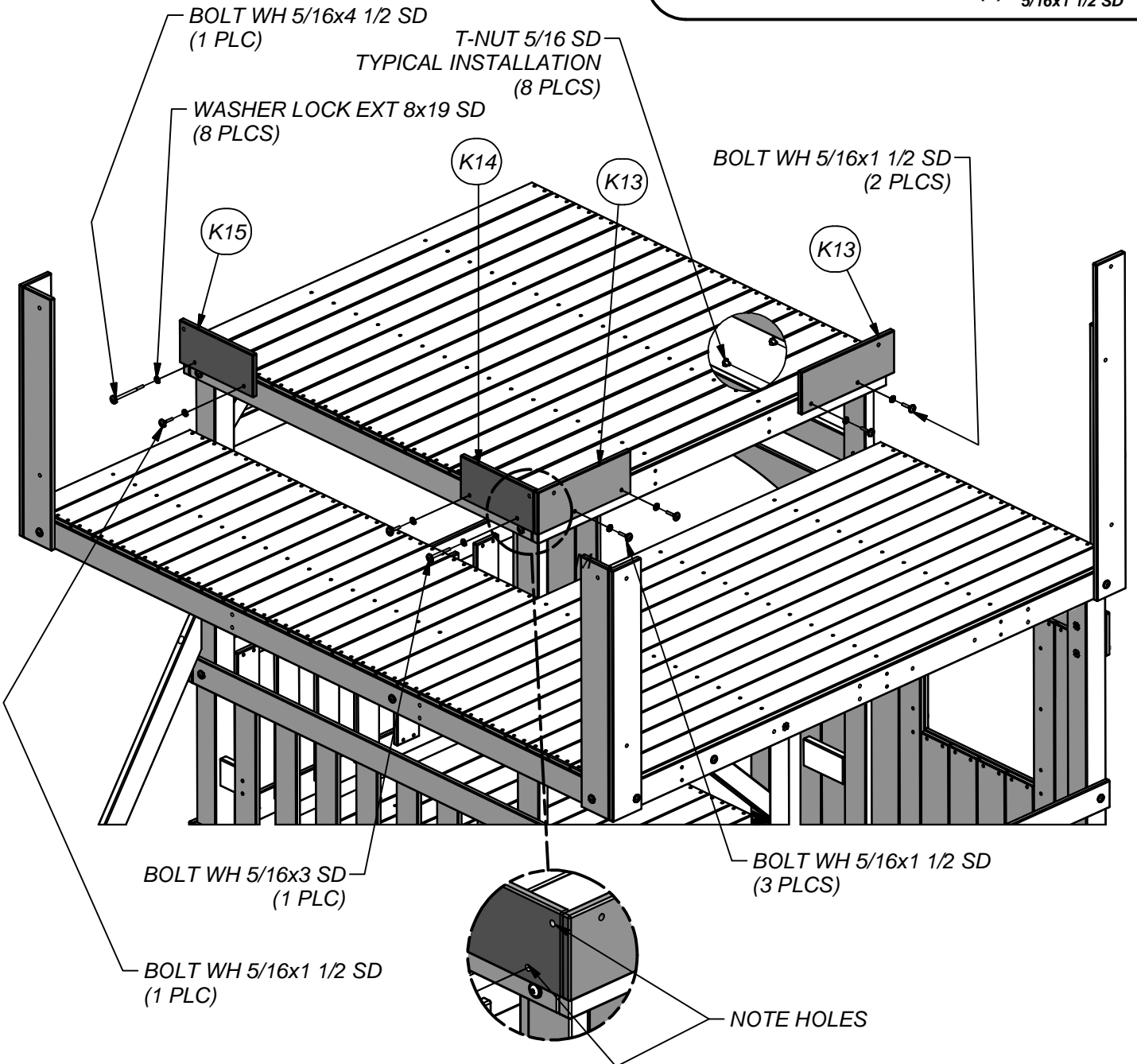
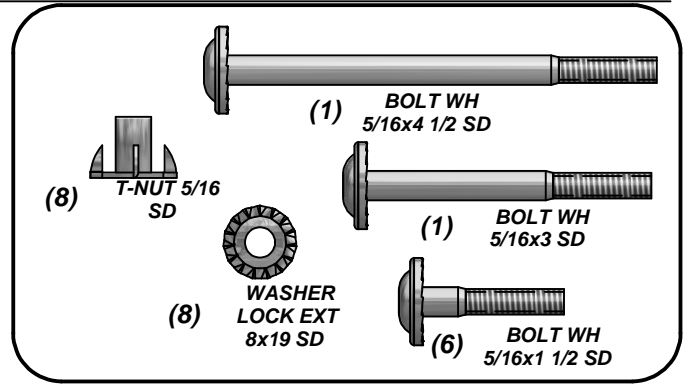


(1) **K15 - WALL RAIL - W4L09067**
5/8"x5 1/4"x11 5/8" (16x134x294)

(1) **K14 - WALL RAIL - W4L09068**
5/8"x5 1/4"x11 5/8" (16x134x294)

(2) **K13 - WALL RAIL - W4L09071**
5/8"x5 1/4"x14 1/8" (16x134x360)

STEP 25



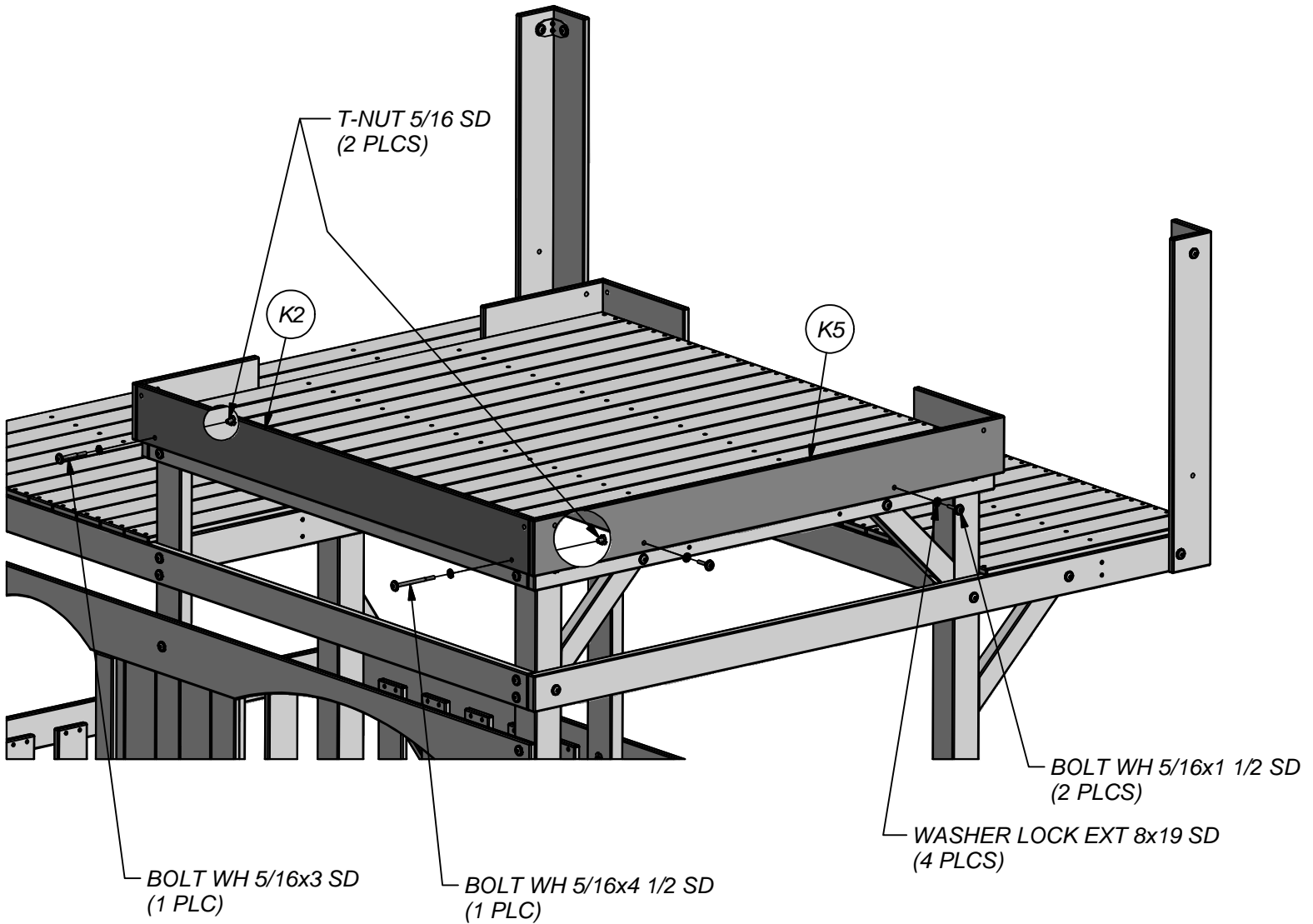
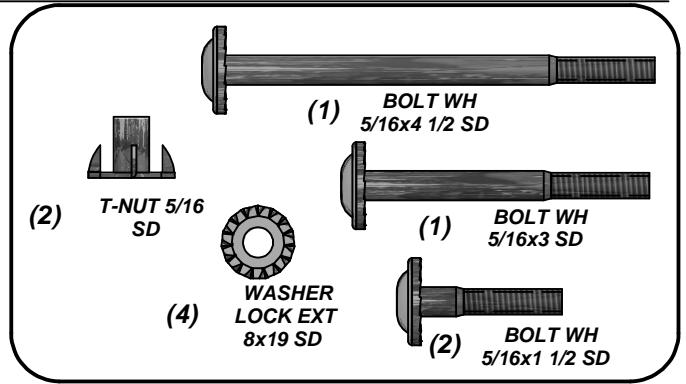


(1) **K5 - WALL RAIL - W4L09061**
5/8"x5 1/4"x54 1/4" (16x134x1378)



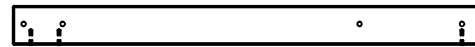
(1) **K2 - WALL RAIL - W4L09060**
5/8"x5 1/4"x55 5/8" (16x134x1414)

STEP 26



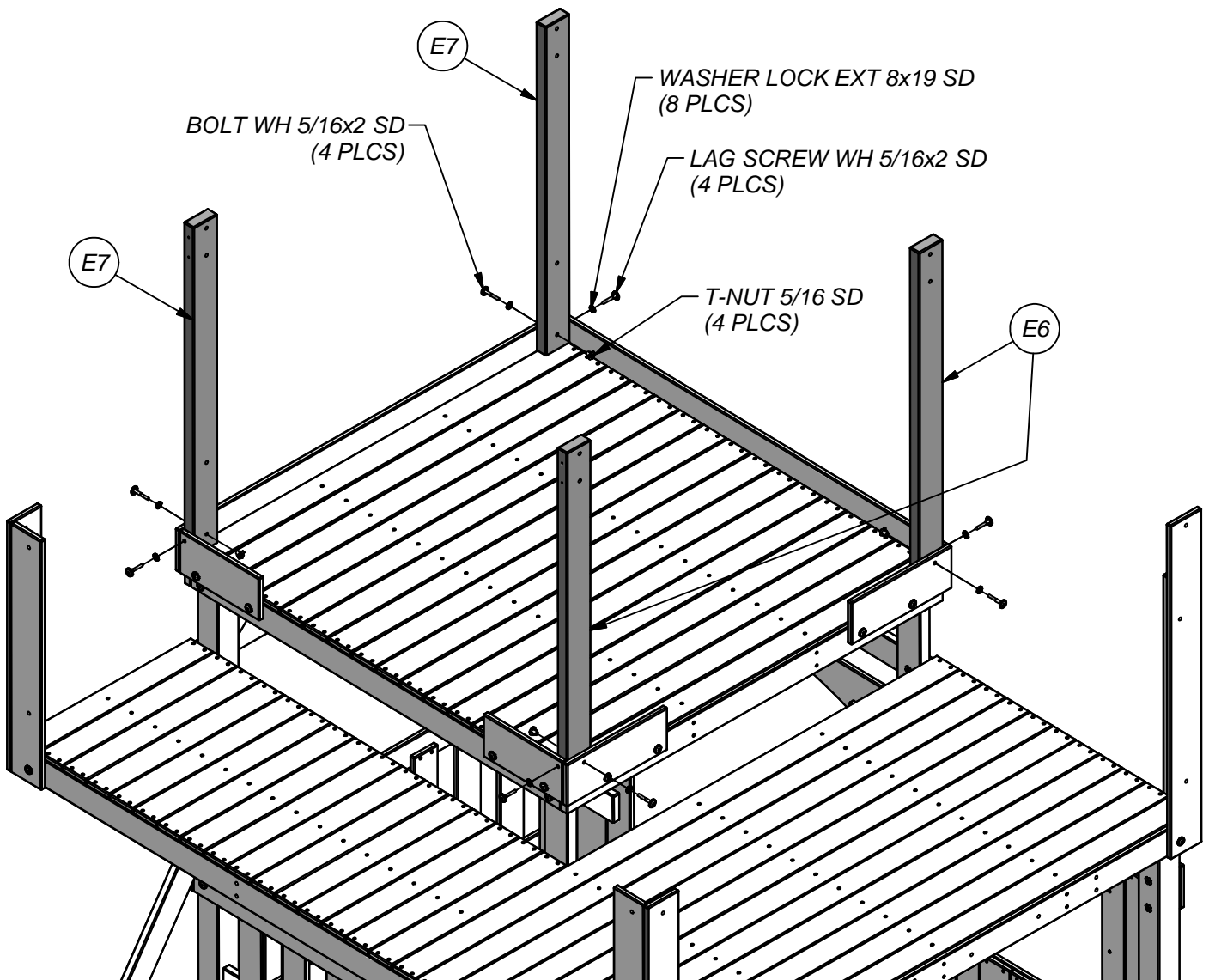
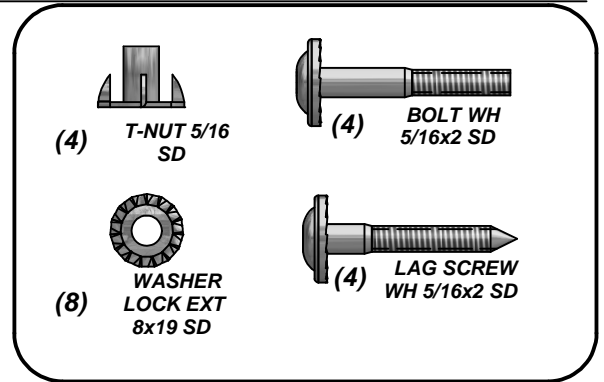


(2) **E6 - UPRIGHT - W4L11183**
 1 3/8"x3 3/8"x41" (36x86x1040)



(2) **E7 - UPRIGHT - W4L11184**
 1 3/8"x3 3/8"x41" (36x86x1040)

STEP 27





(1) **K6 - ARCHED RAIL - W4L09046**
5/8"x5 1/4"x54 1/4" (16x134x1378)



(1) **K7 - ARCHED RAIL - W4L09048**
5/8"x5 1/4"x54 1/4" (16x134x1378)



(1) **K3 - ARCHED RAIL - W4L09047**
5/8"x5 1/4"x55 5/8" (16x134x1414)

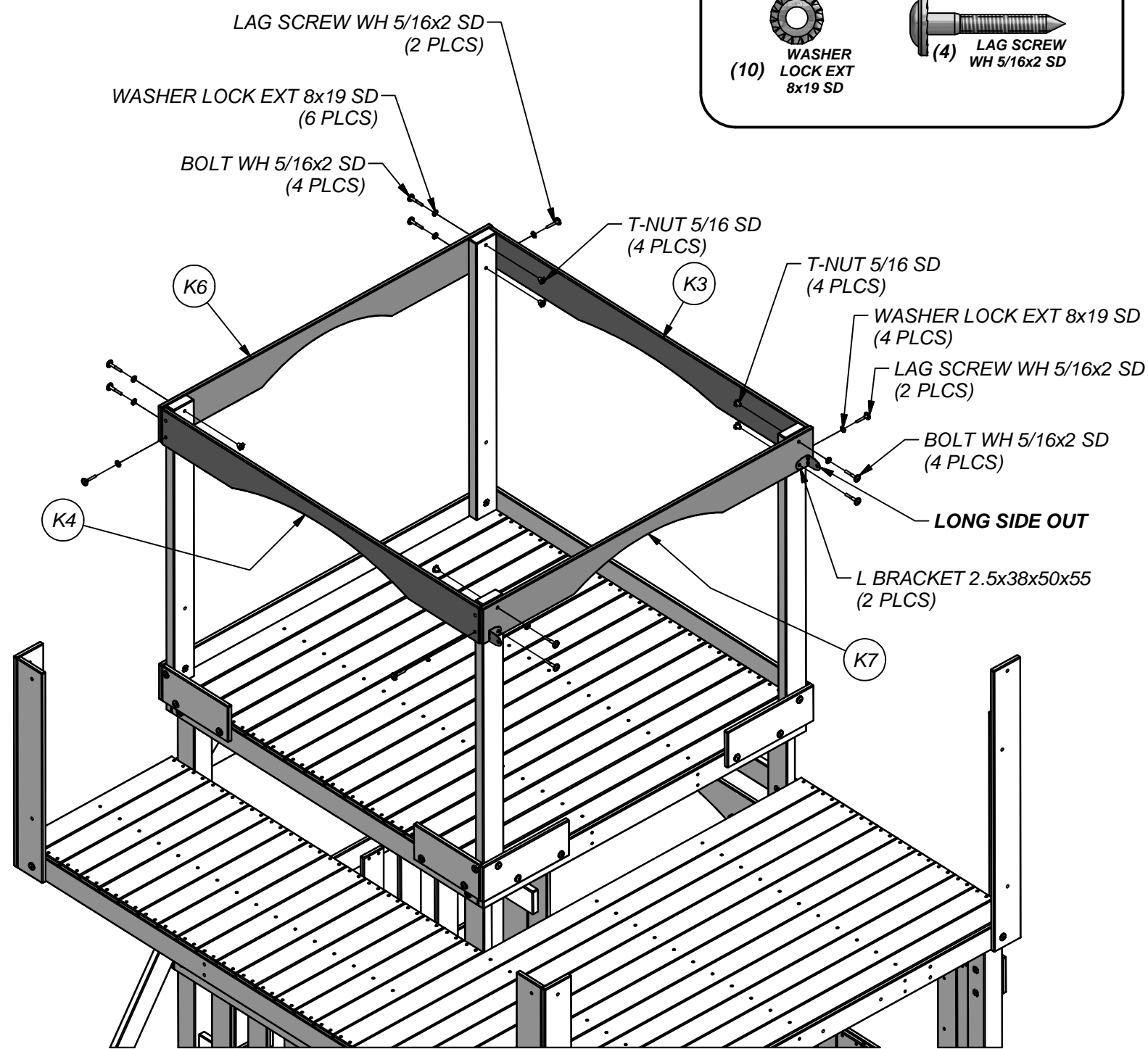
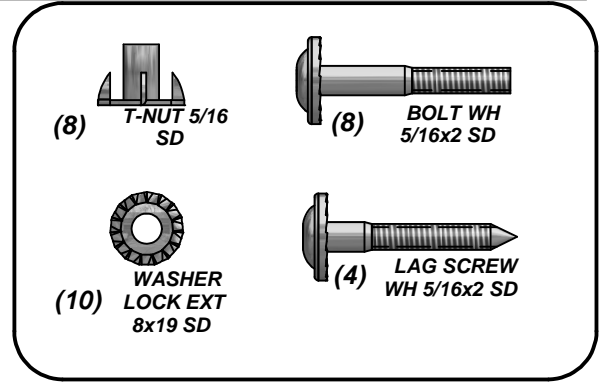


(1) **K4 - ARCHED RAIL - W4L09045**
5/8"x5 1/4"x55 5/8" (16x134x1414)



(2) **TZ - L BRACKET 2.5x38x50x55 - A100340**

STEP 28

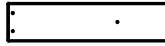




(6) M12 - WALL BOARD - W4L11224
5/8"x3 3/8"x36" (16x86x914)

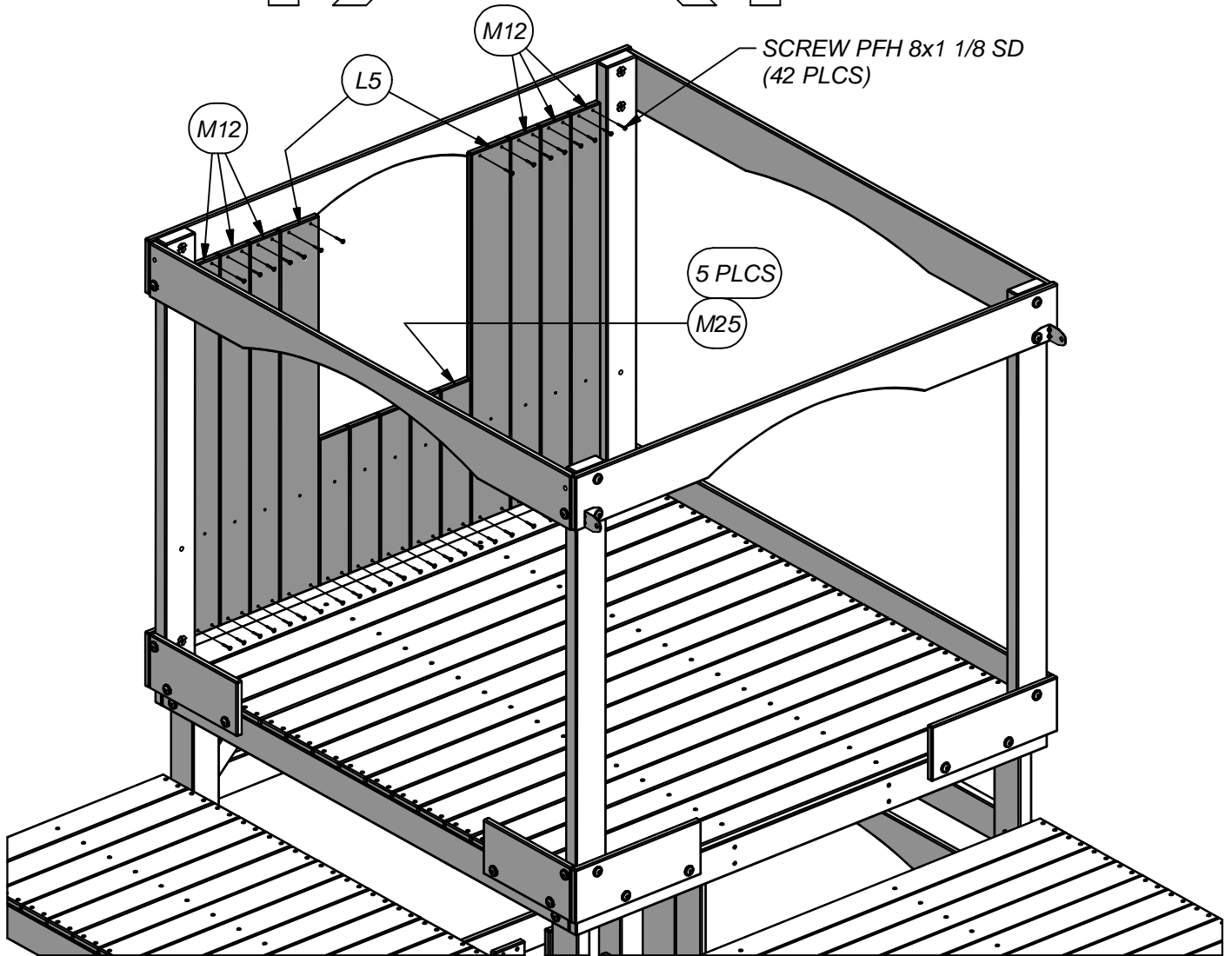
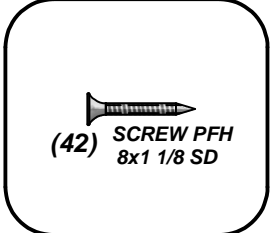
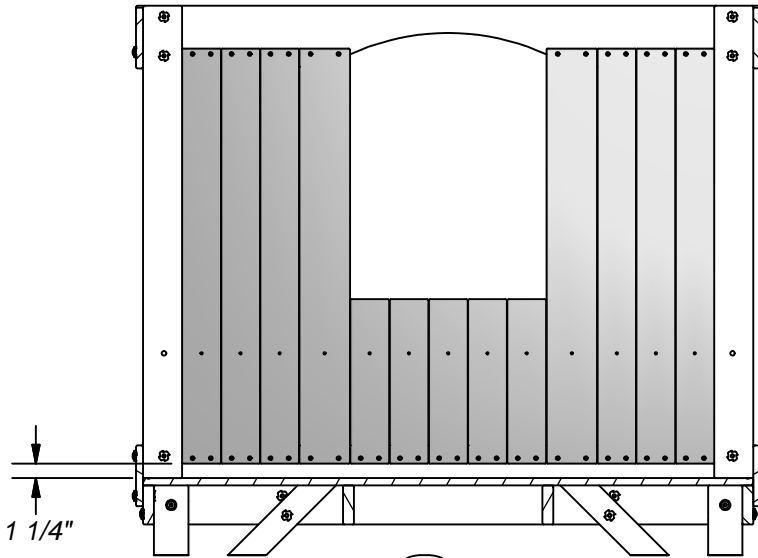


(2) L5 - WALL BOARD - W4L11212
5/8"x4 3/8"x36" (16x112x914)



(5) M25 - WALL BOARD - W4L11231
5/8"x3 3/8"x14 1/4" (16x86x362)

STEP 29



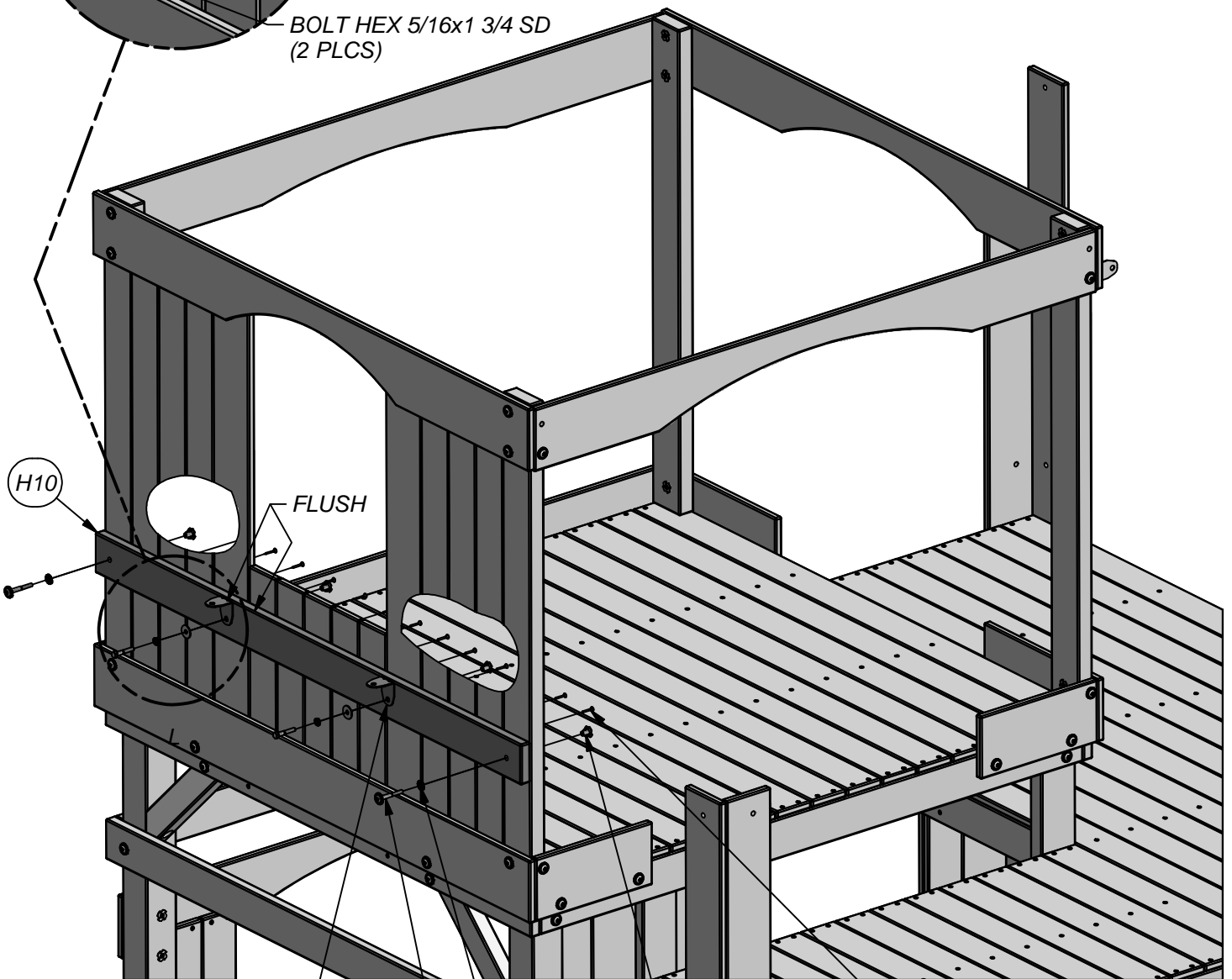
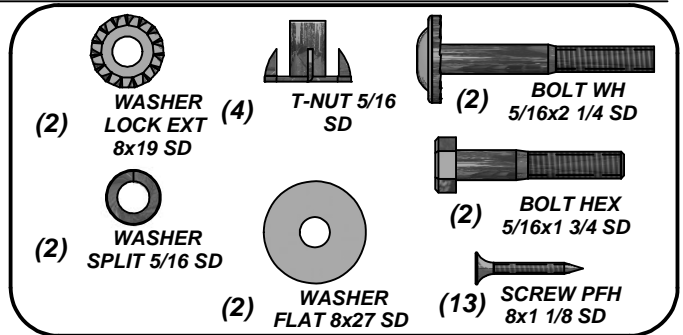
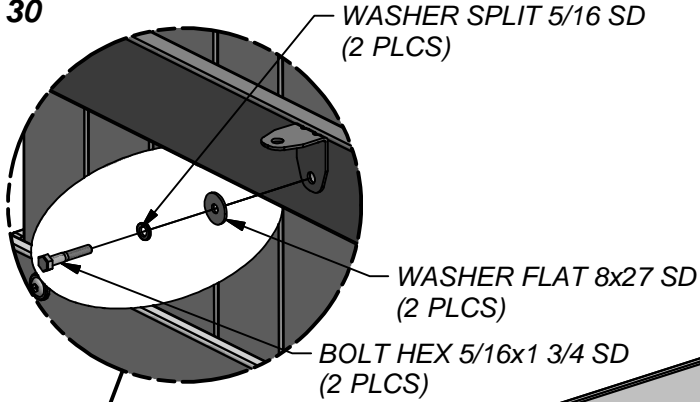


(1) H10 - SUPPORT BOARD - W4L09062
1"x3 3/8"x53" (24x86x1346)



(2) TZ - L BRACKET 2.5x38x50x55 - A100340

STEP 30



L BRACKET 2.5x38x50x55 (2 PLCS)
DRILL 3/8" (10mm) HOLE THROUGH WALL

T-NUT 5/16 SD (4 PLCS)

SCREW PFH 8x1 1/8 SD (13 PLCS)

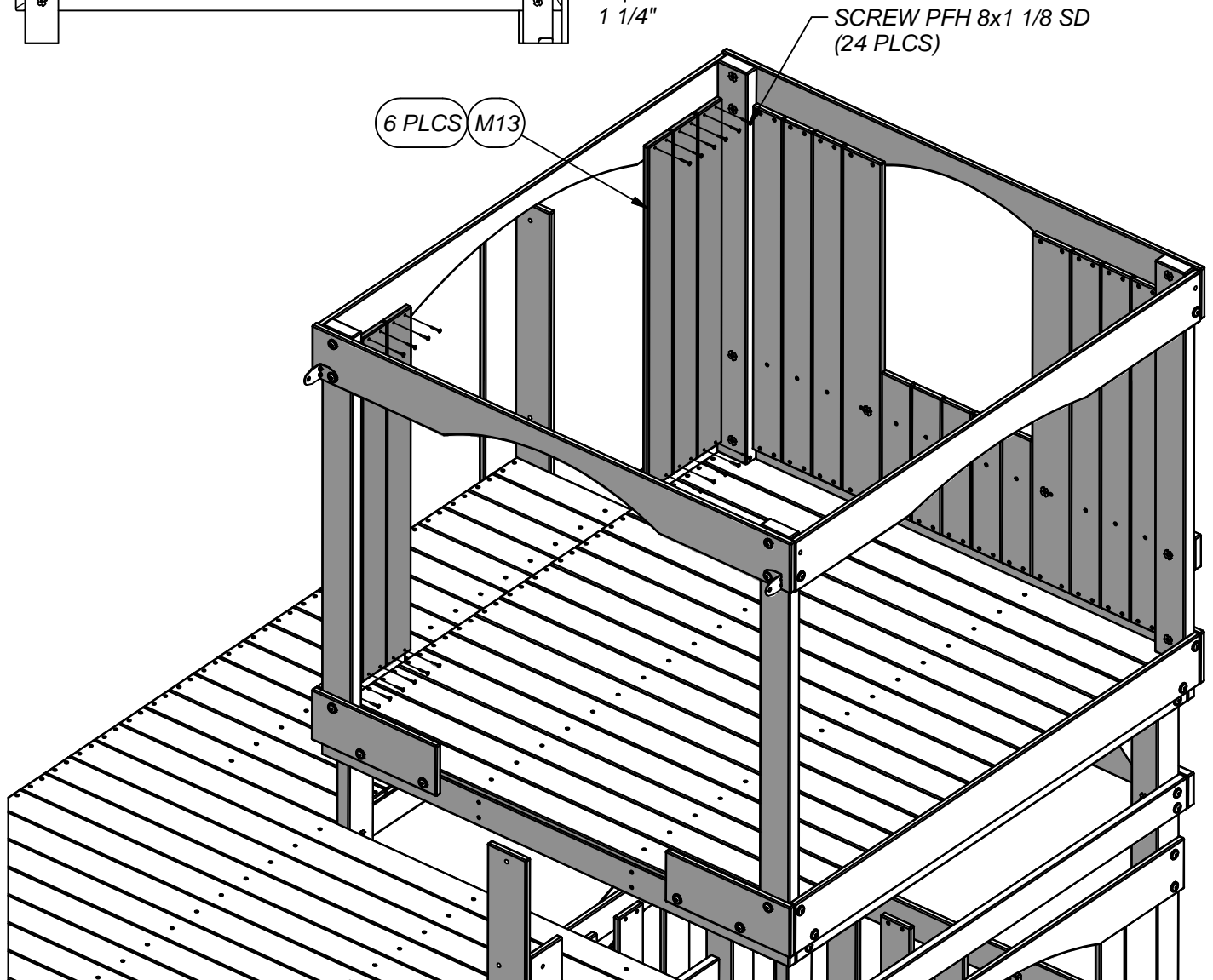
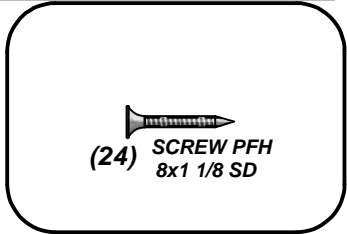
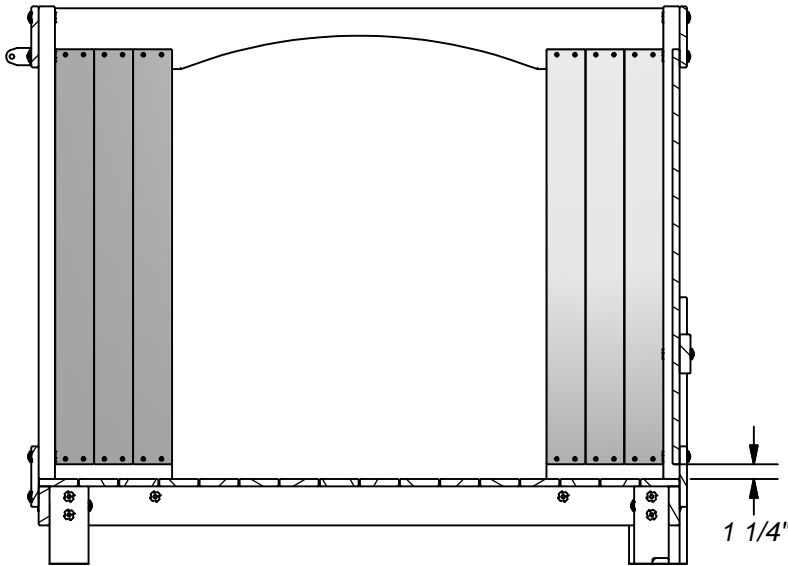
WASHER LOCK EXT 8x19 SD (2 PLCS)

BOLT WH 5/16x2 1/4 SD (2 PLCS)



(6) M13 - WALL BOARD - W4L11225
5/8"x3 3/8"x36" (16x86x914)

STEP 31

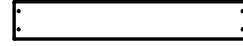




(1) L11 - WALL BOARD - W4L11217
5/8"x4 3/8"x20 3/8" (16x112x518)

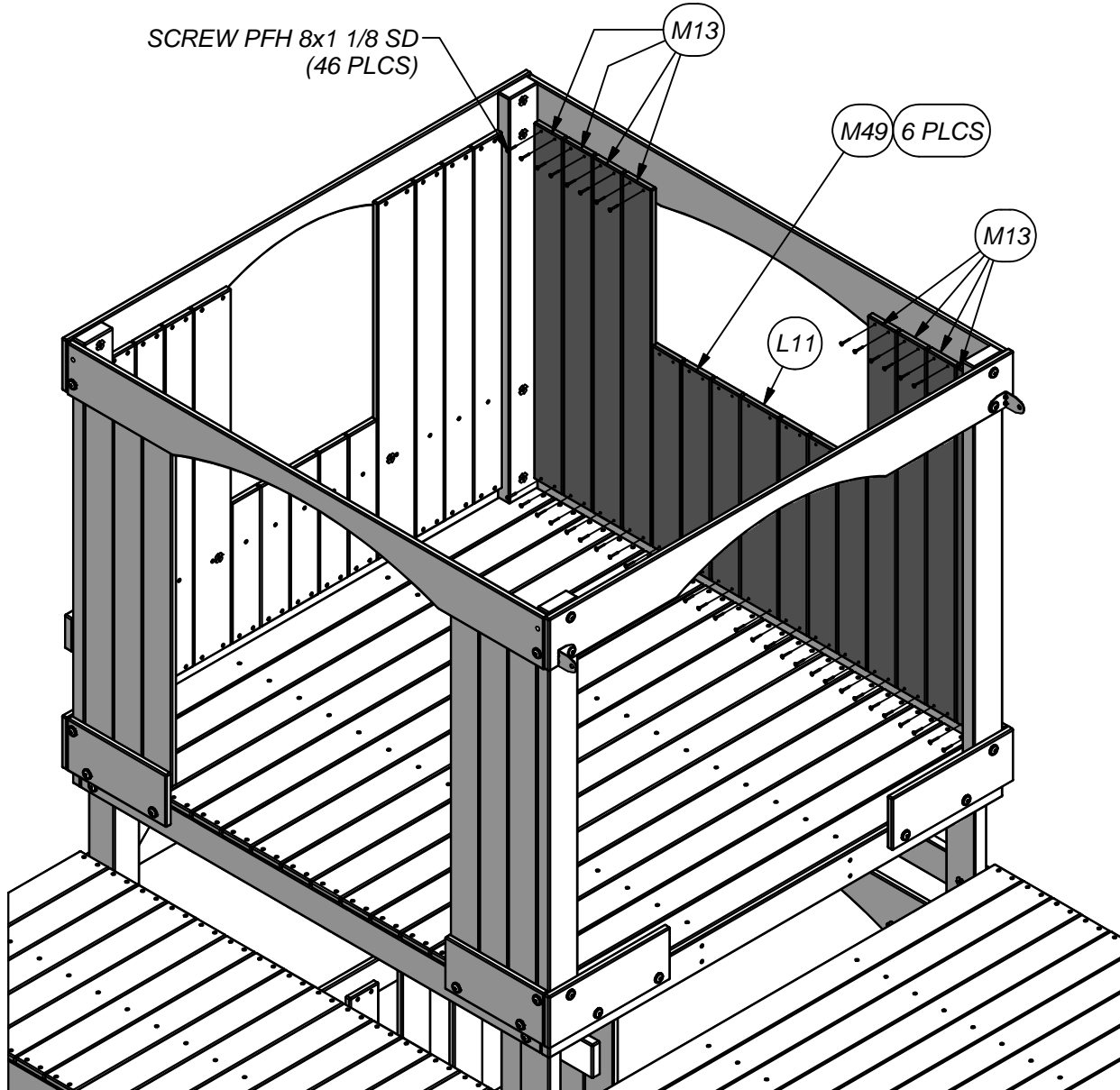
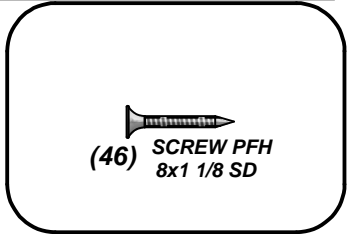
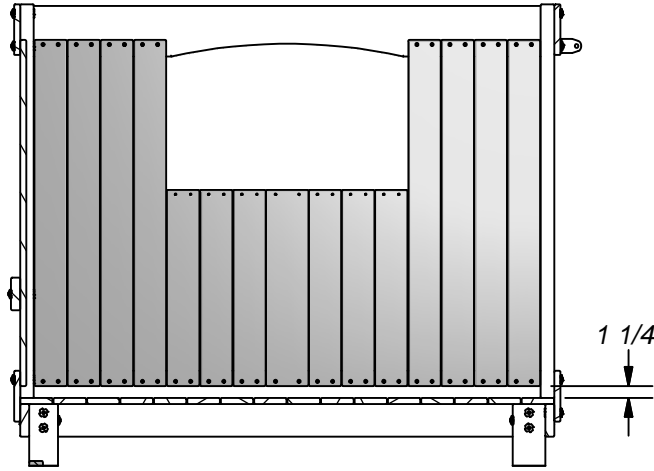


(8) M13 - WALL BOARD - W4L11225
5/8"x3 3/8"x36" (16x86x914)



(6) M49 - PICKET - 53 - W4L11234
5/8"x3 3/8"x20 3/8" (16x86x518)

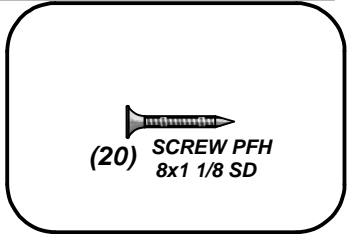
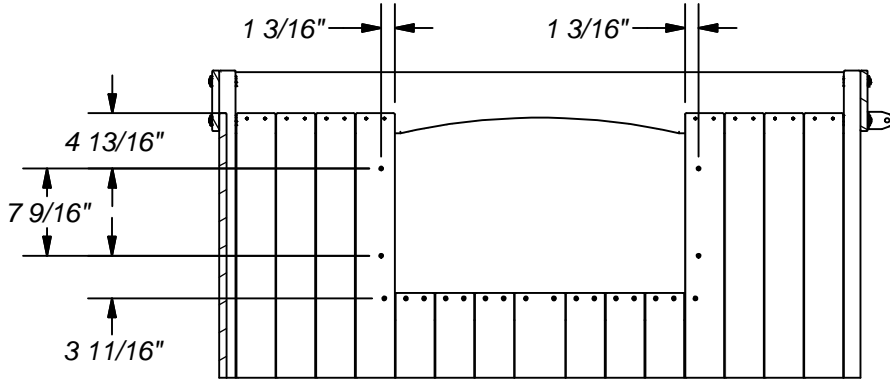
STEP 32



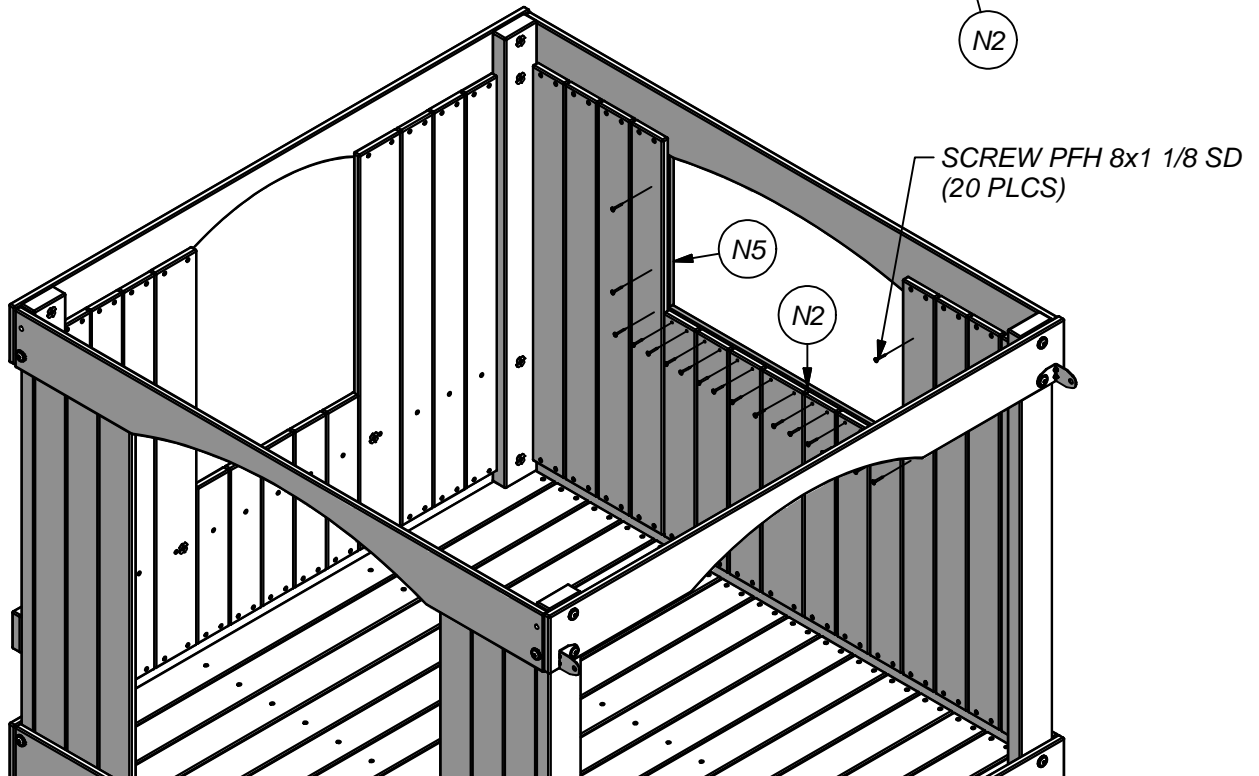
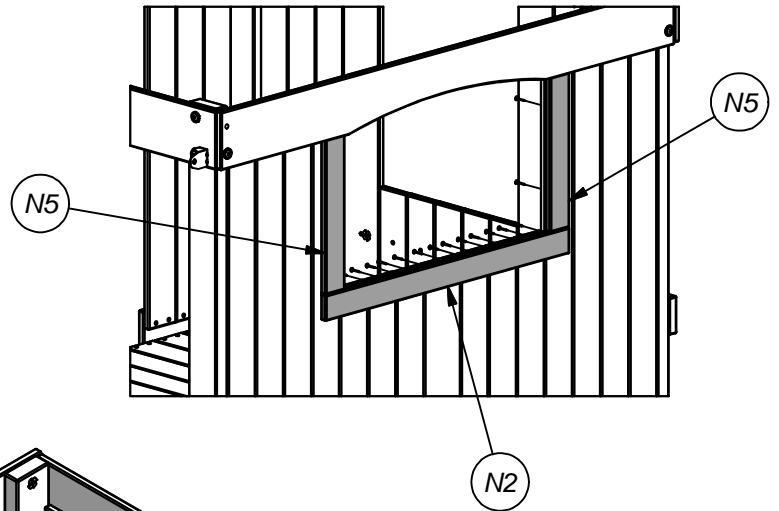
(1) **N2 - WINDOW TRIM - W4L09059**
5/8"x2 3/8"x30" (16x60x761)

(2) **N5 - WINDOW TRIM - W4L09058**
5/8"x2 3/8"x14" (16x60x356)

STEP 33



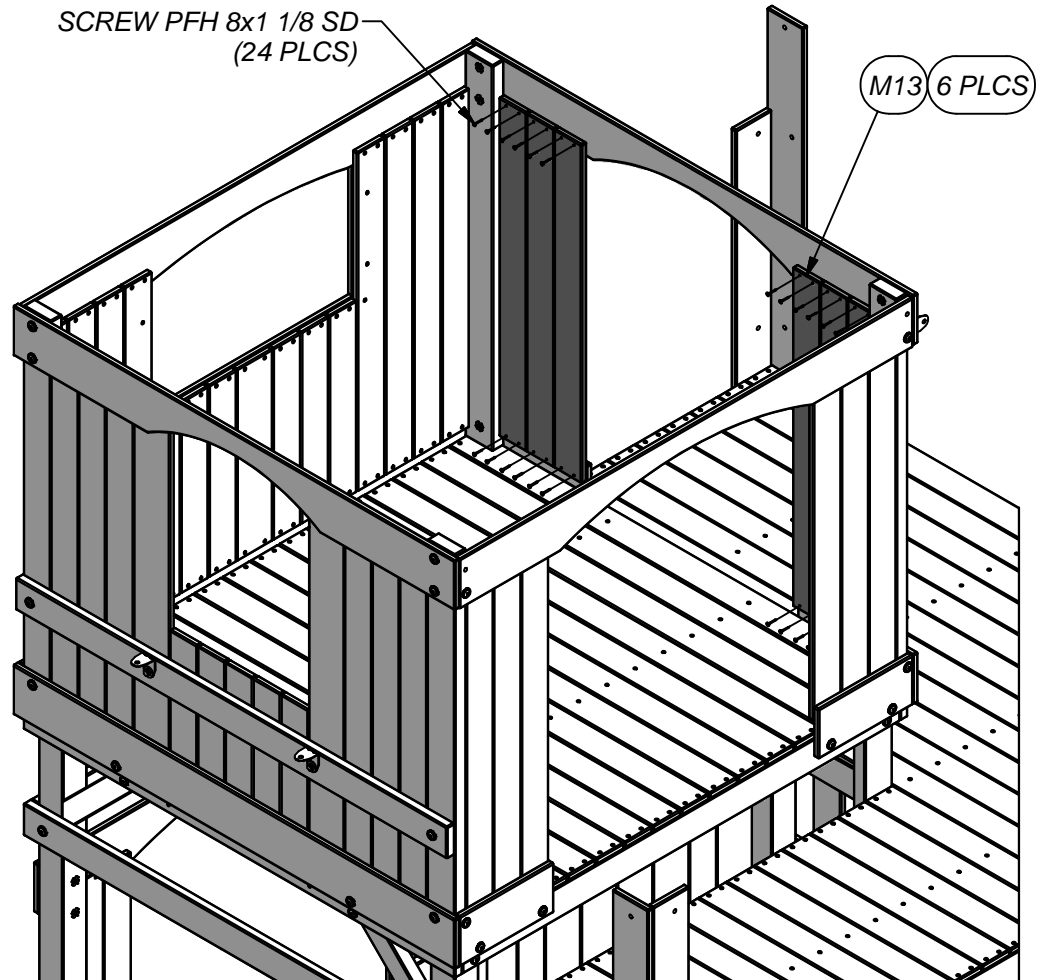
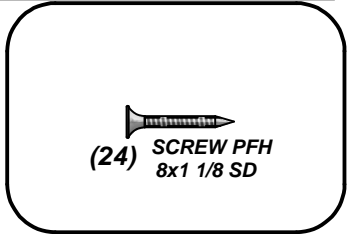
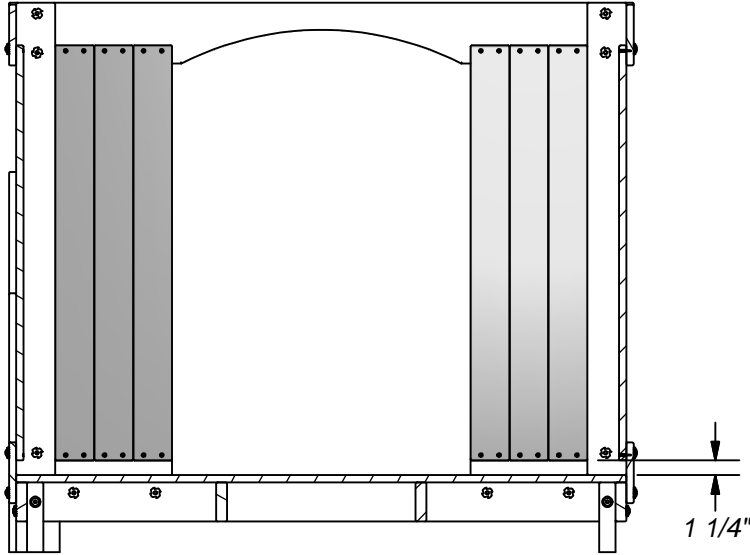
NOTE:
DRILL 3/16" (5mm) HOLES WHERE INDICATED.





(6) M13 - WALL BOARD - W4L11225
5/8"x3 3/8"x36" (16x86x914)

STEP 34

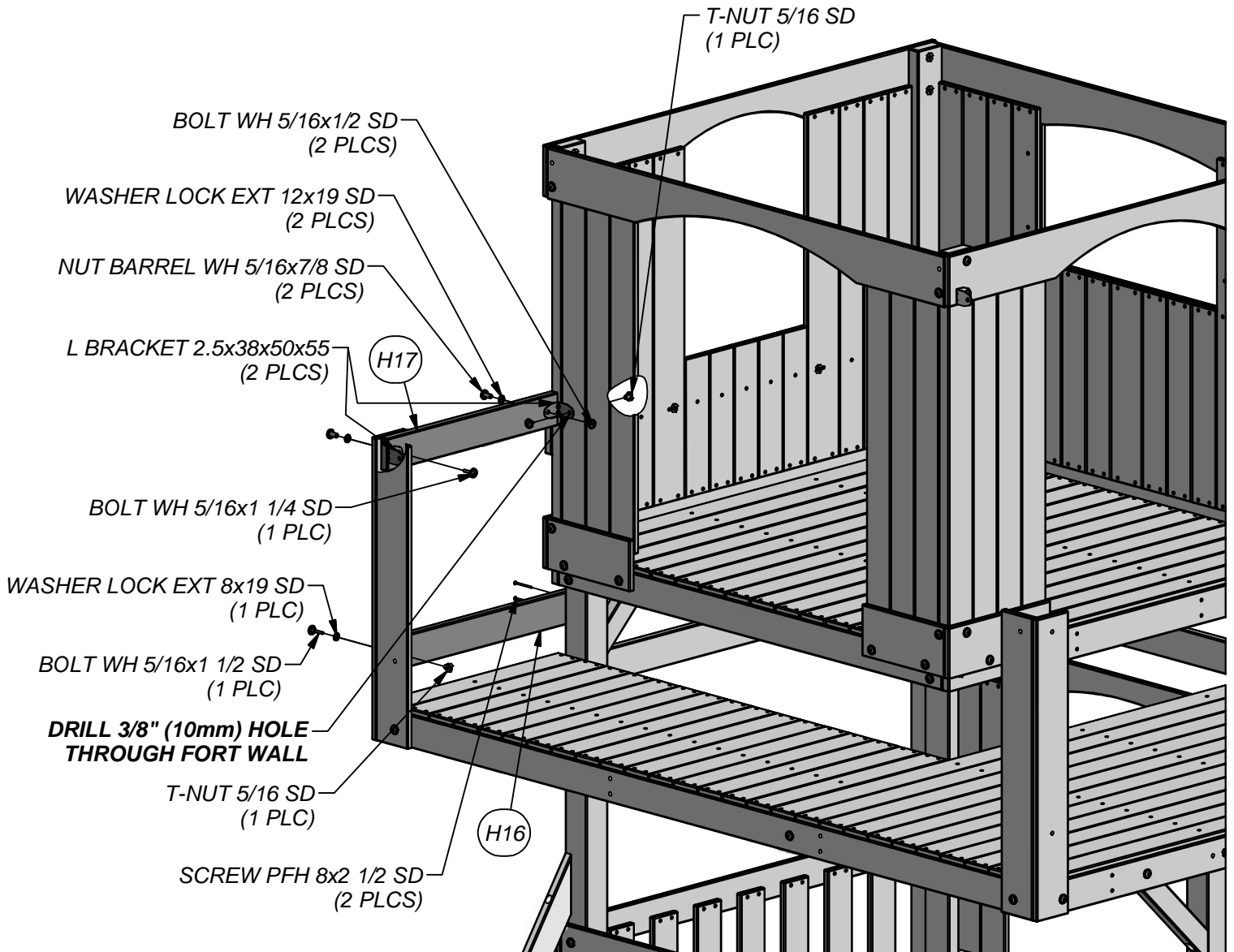
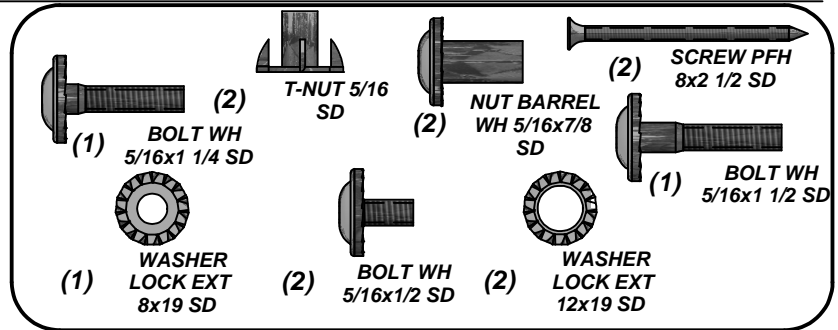


(1) **H17 - WALL RAIL - W4L09052**
 1"x3 3/8"x23 3/4" (24x86x604)

(1) **H16 - WALL RAIL - W4L09053**
 1"x3 3/8"x26 1/4" (24x86x668)

(2) **TZ - L BRACKET 2.5x38x50x55 - A100340**

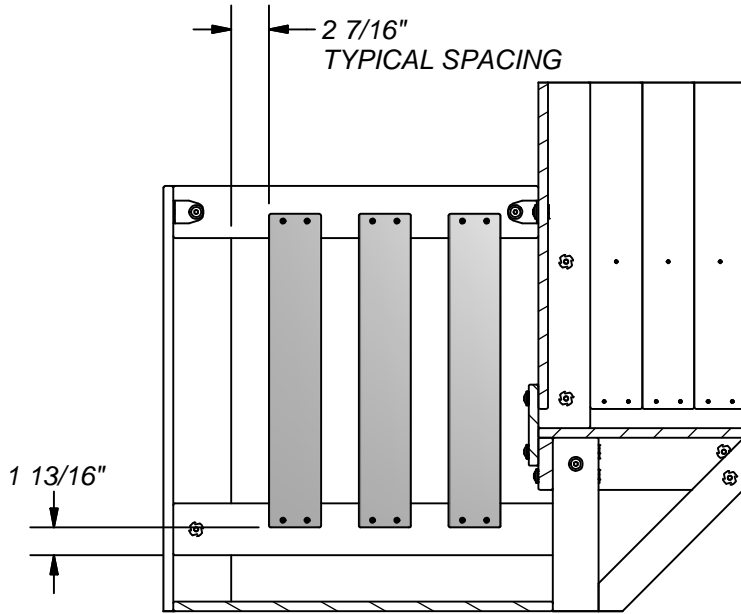
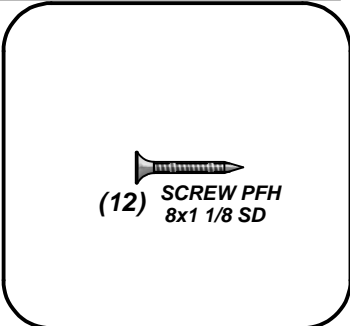
STEP 35





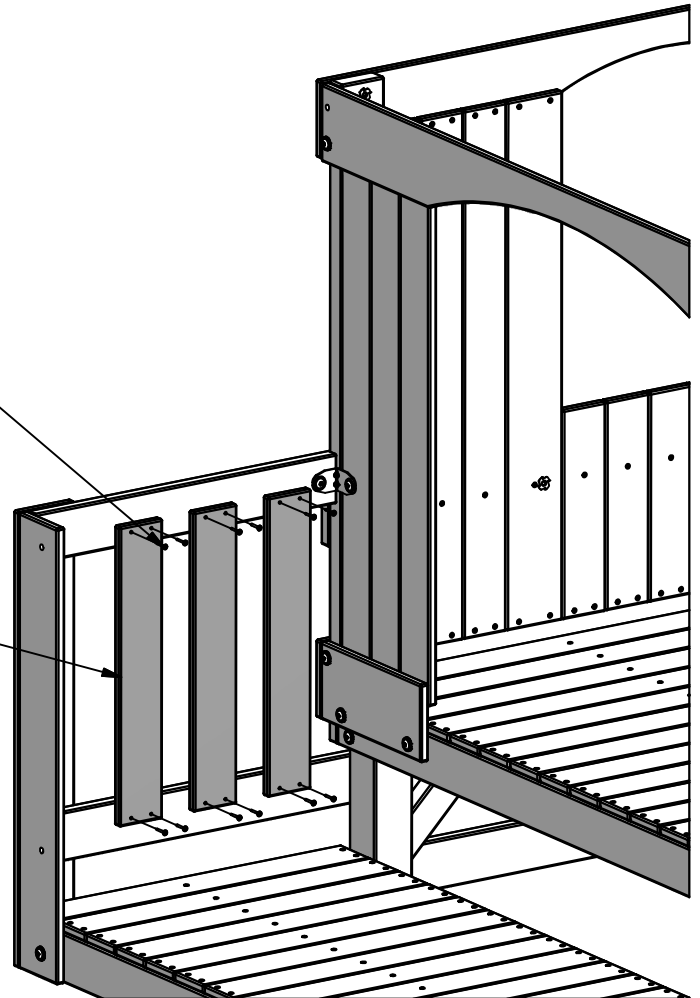
(3) M49 - PICKET - 53 - W4L11234
5/8"x3 3/8"x20 3/8" (16x86x518)

STEP 36



SCREW PFH 8x1 1/8 SD
(12 PLCS)

3 PLCS M49

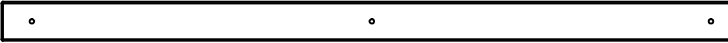




(1) H20 - WALL RAIL - W4L09051
1"x3 3/8"x92" (24x86x2336)



(2) M14 - WALL BOARD - W4L11226
5/8"x3 3/8"x31" (16x86x788)

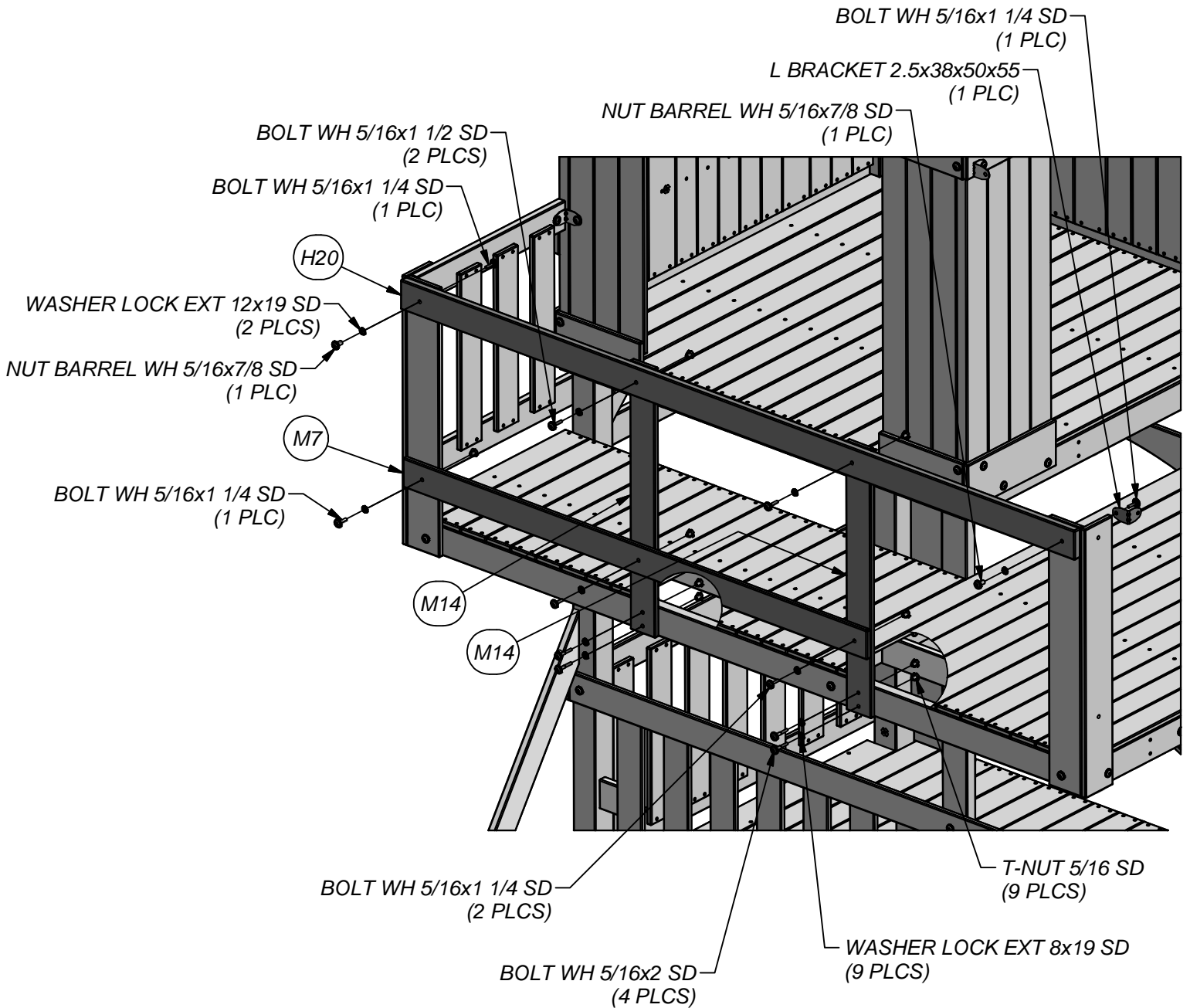
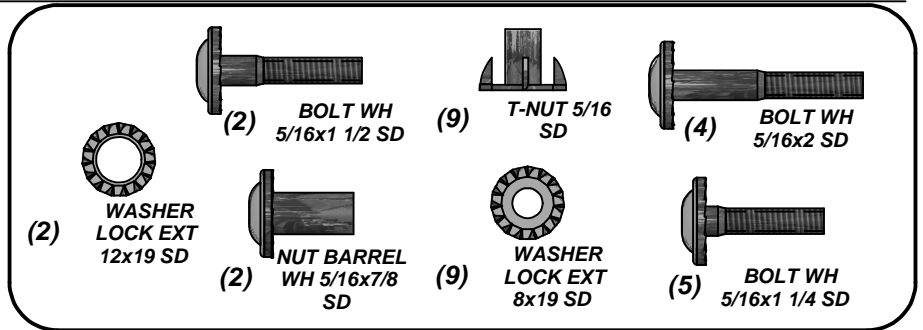


(1) M7 - WALL RAIL - W4L09054
5/8"x3 3/8"x63 1/4" (16x86x1608)



(1) TZ - L BRACKET 2.5x38x50x55 - A100340

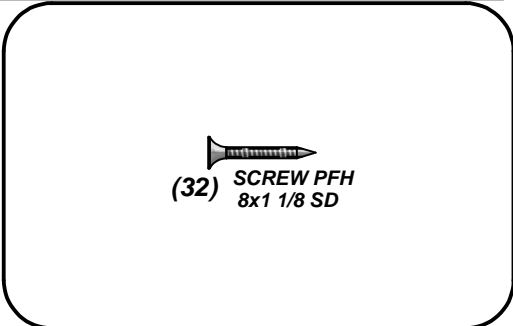
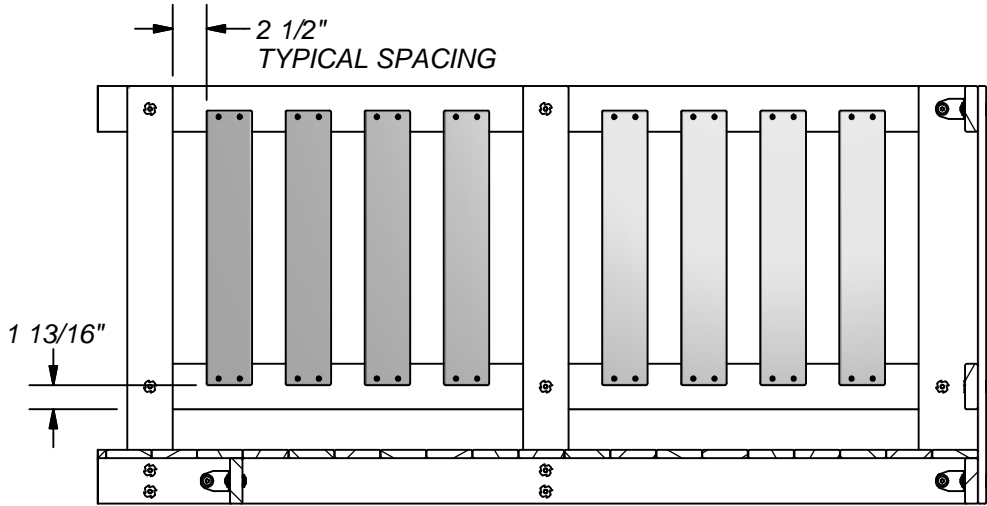
STEP 37





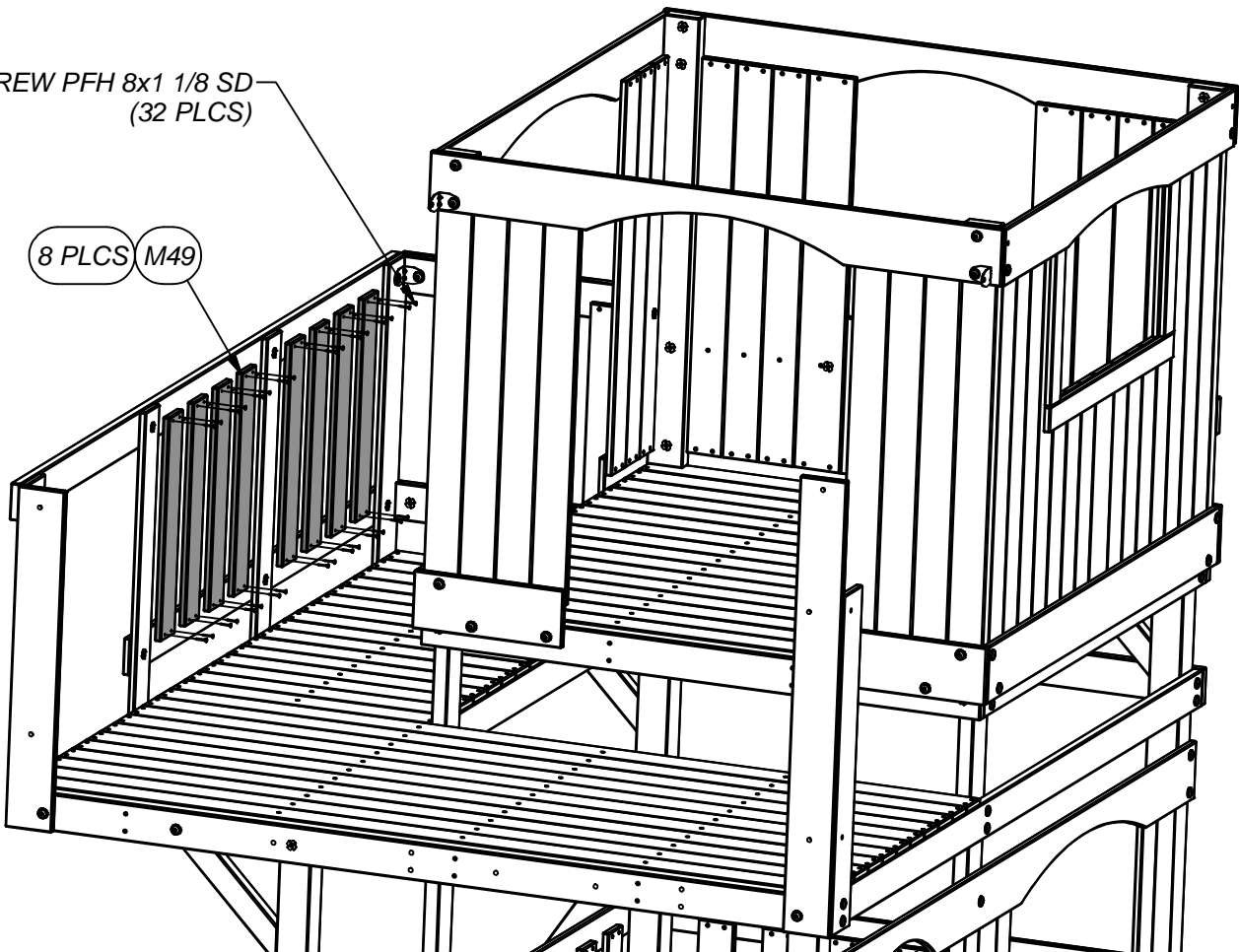
(8) M49 - PICKET - 53 - W4L11234
5/8"x3 3/8"x20 3/8" (16x86x518)

STEP 38



SCREW PFH 8x1 1/8 SD
(32 PLCS)

8 PLCS M49

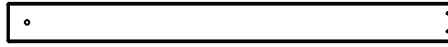




(1) **H13 - WALL RAIL - W4L09049**
1"x3 3/8"x36 1/4" (24x86x922)

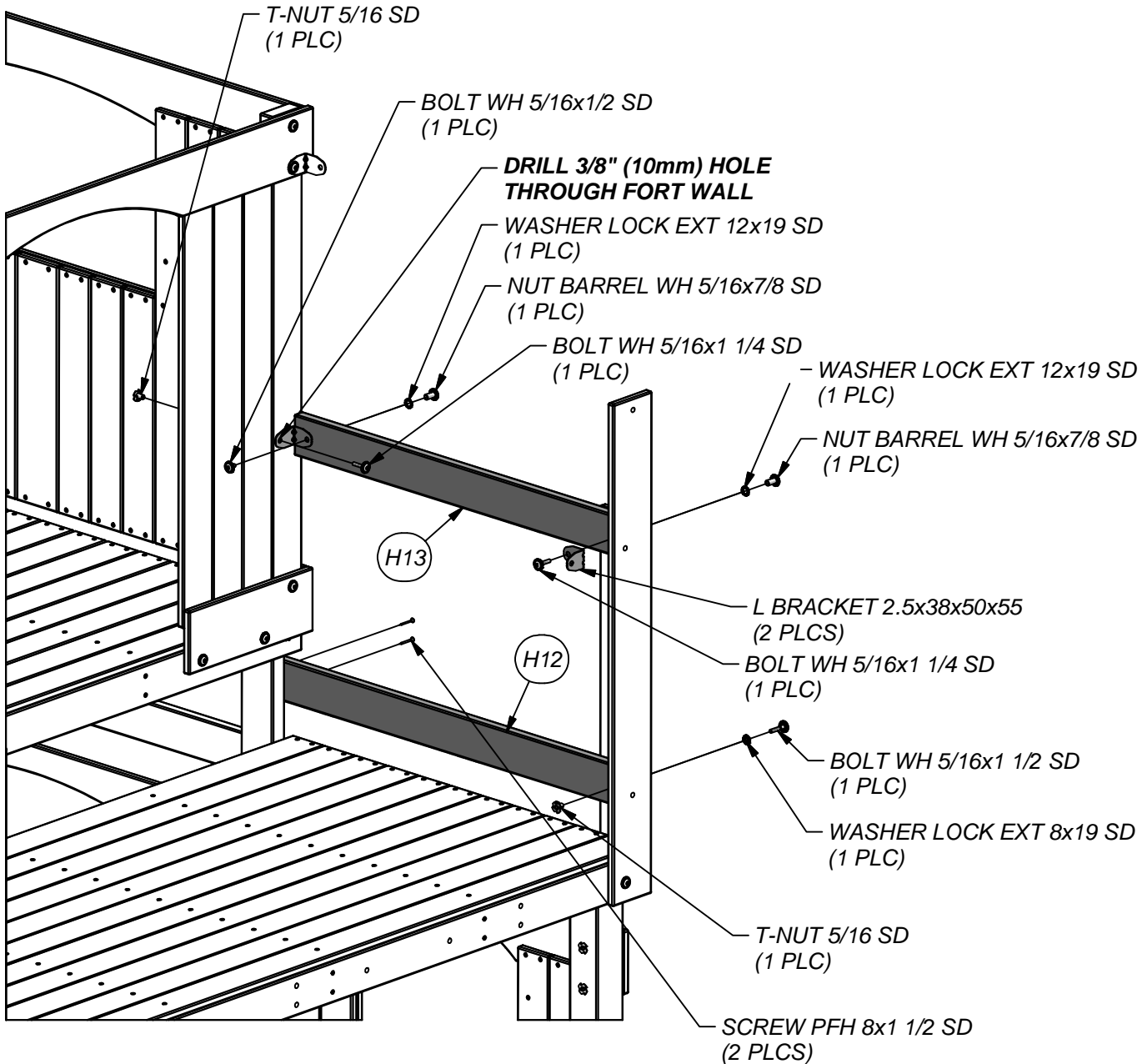
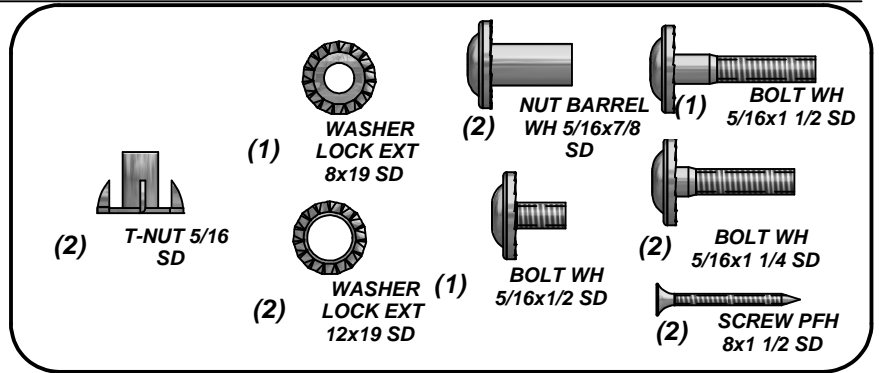


(2) **TZ - L BRACKET 2.5x38x50x55 - A100340**



(1) **H12 - WALL RAIL - W4L09057**
1"x3 3/8"x38 3/4" (24x86x983)

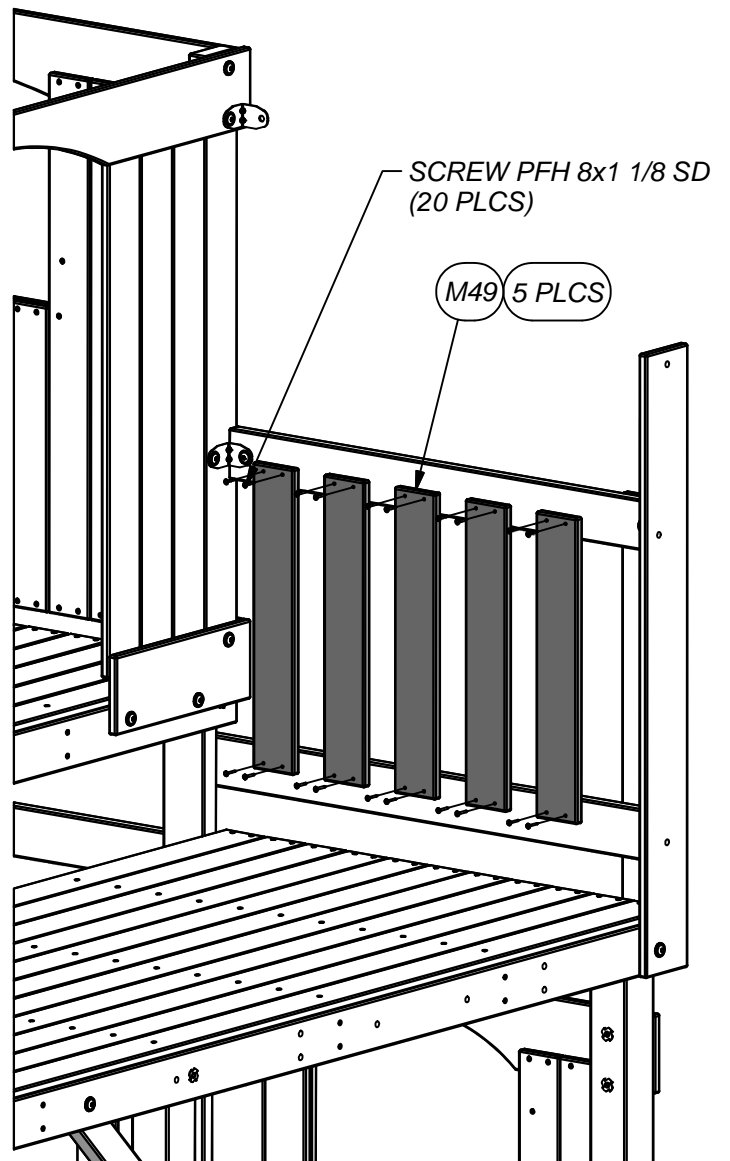
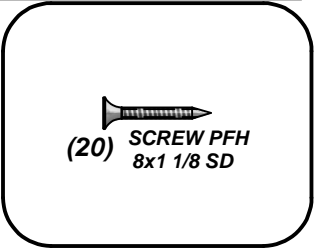
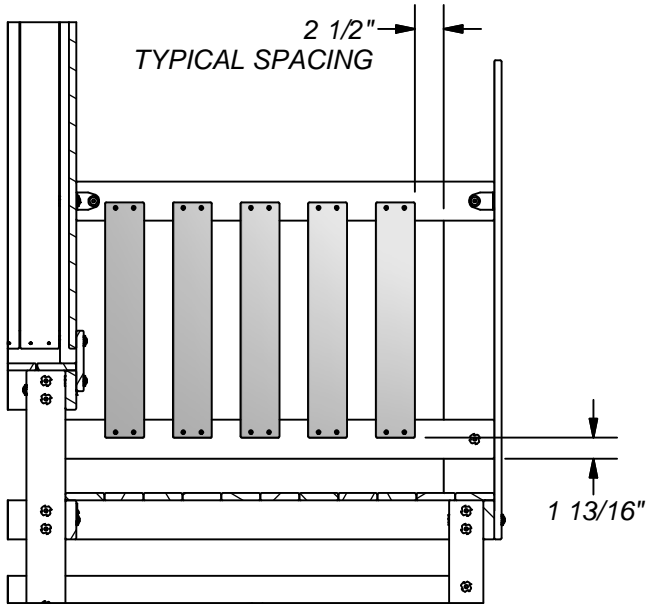
STEP 39

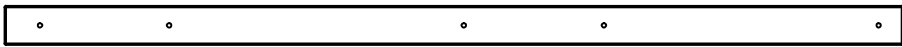




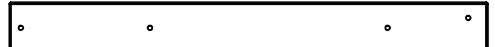
(5) **M49 - PICKET - 53 - W4L11234**
5/8"x3 3/8"x20 3/8" (16x86x518)

STEP 40





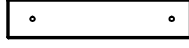
(1) H22 - WALL RAIL - W4L09050
1"x3 3/8"x78" (24x86x1982)



(1) L3 - CORNER BOARD - W4L11210
5/8"x4 3/8"x41 1/2" (16x112x1055)



(1) M11 - WALL RAIL - W4L09055
5/8"x3 3/8"x39 7/8" (16x86x1012)

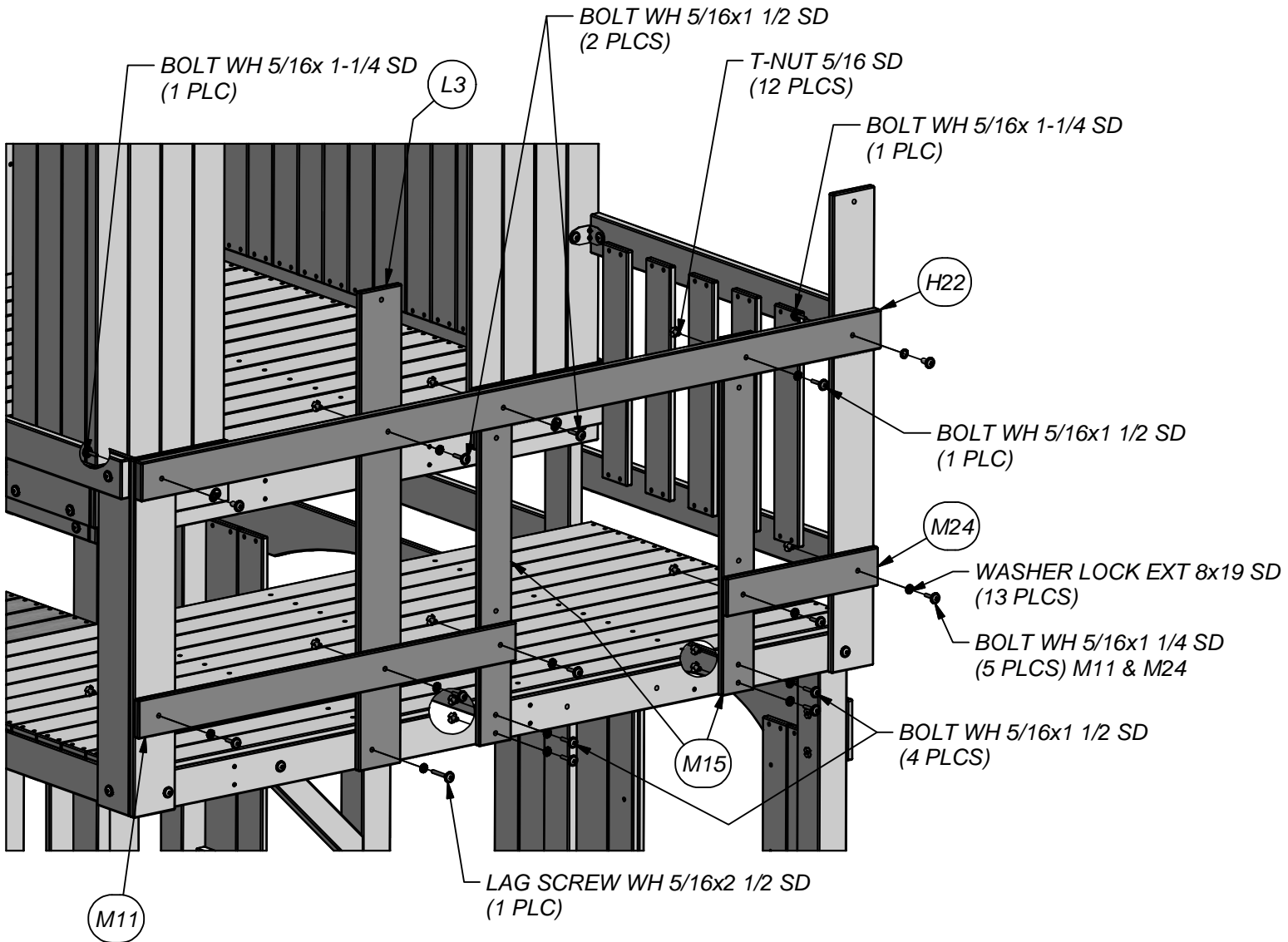
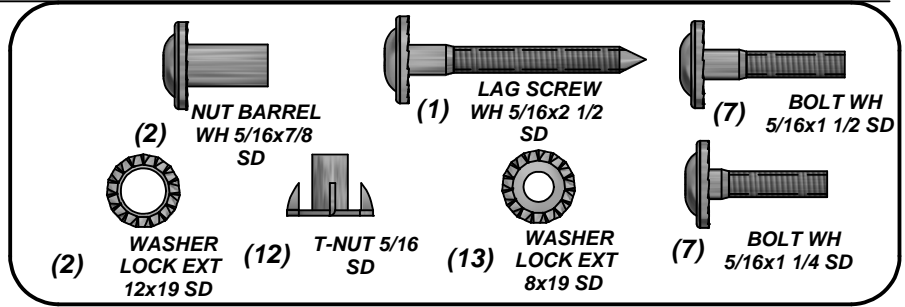


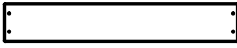
(1) M24 - WALL RAIL - W4L09056
5/8"x3 3/8"x16" (16x86x406)



(2) M15 - WALL BOARD - W4L11227
5/8"x3 3/8"x31" (16x86x788)

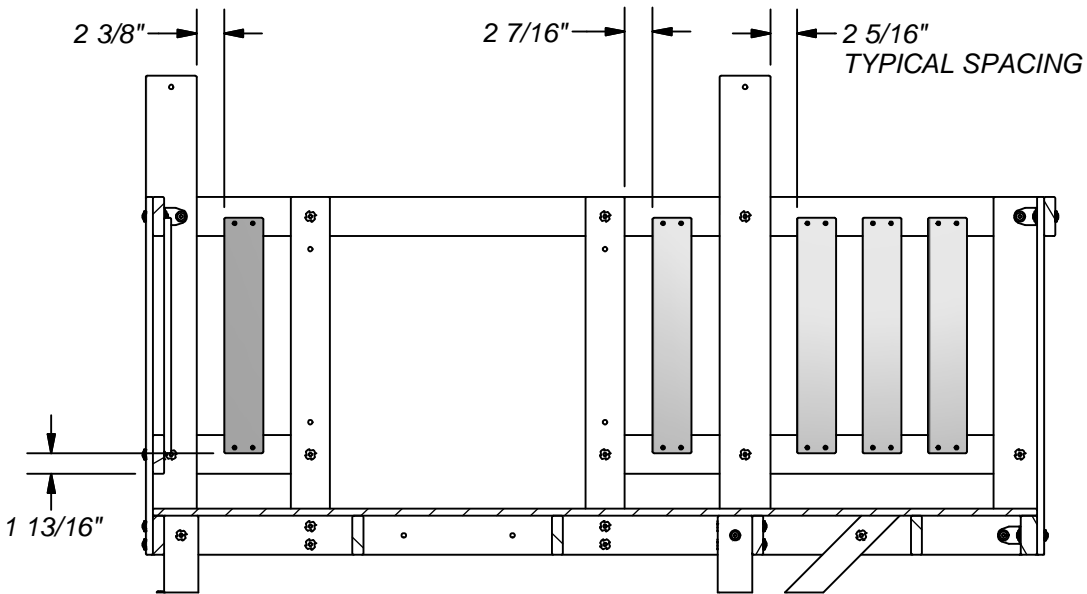
STEP 41



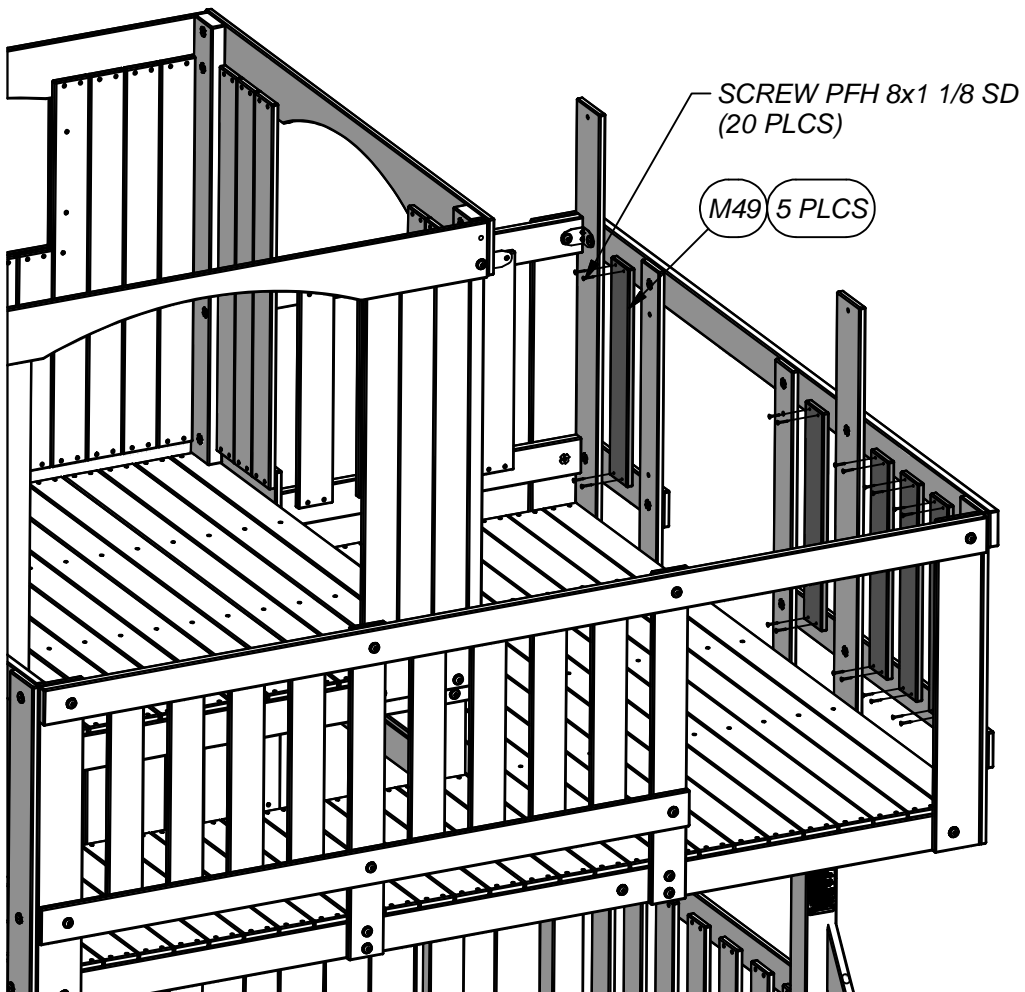


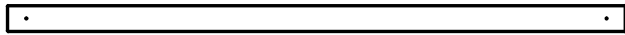
(5) M49 - PICKET - 53 - W4L11234
5/8"x3 3/8"x20 3/8" (16x86x518)

STEP 42




(20) SCREW PFH
8x1 1/8 SD





(1) **J5 - SAFETY RAIL - W4L09070**
1"x2 3/8"x53 3/4" (24x60x1366)



(1) **J2 - SAFETY RAIL - W4L09075**
1"x2 3/8"x52 1/4" (24x60x1326)

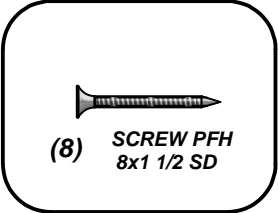
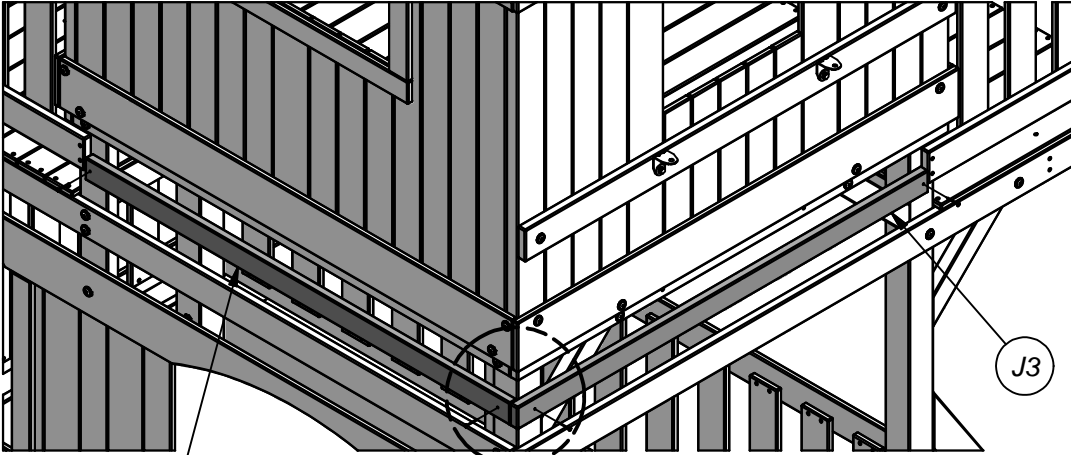


(1) **J4 - SAFETY RAIL - W4L09074**
1"x2 3/8"x52" (24x60x1322)



(1) **J3 - SAFETY RAIL - W4L09065**
1"x2 3/8"x50 1/2" (24x60x1282)

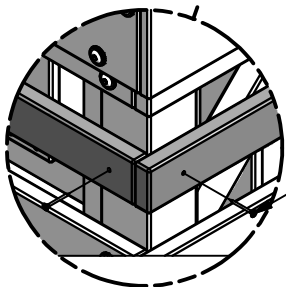
STEP 43



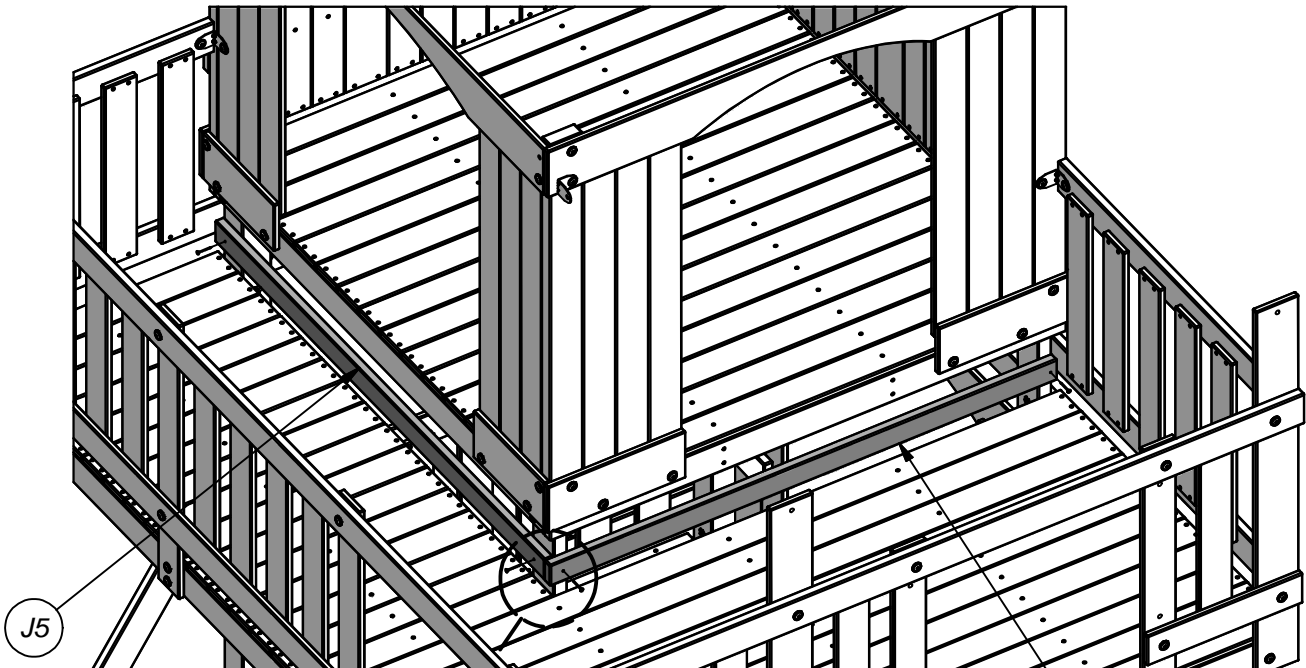
J2

J3

NOTE:
CENTER SAFETY RAILS IN OPENINGS.

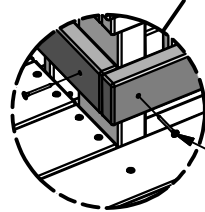


SCREW PFH 8x1 1/2 SD
(4 PLCS)

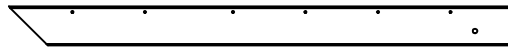


J5

J4

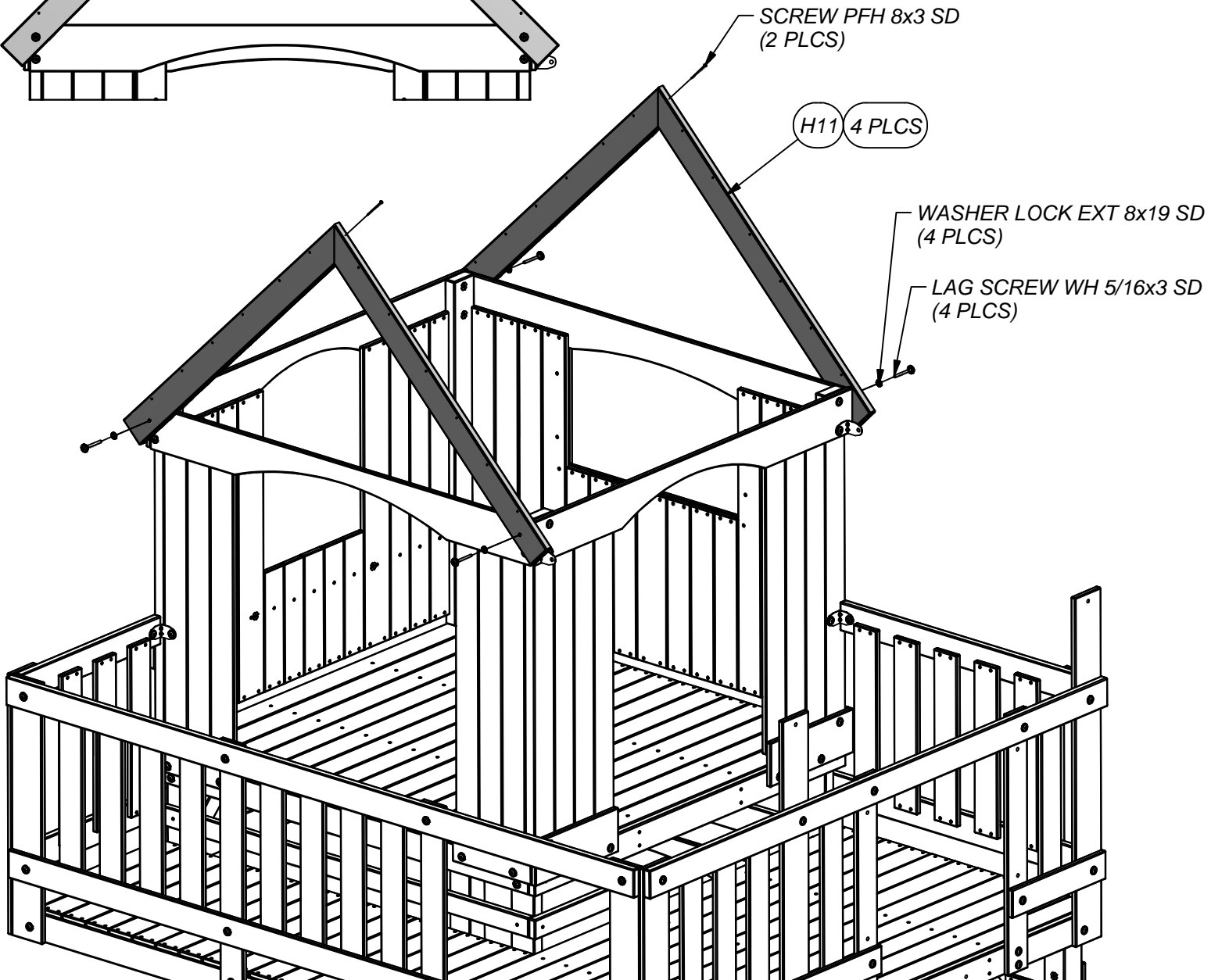
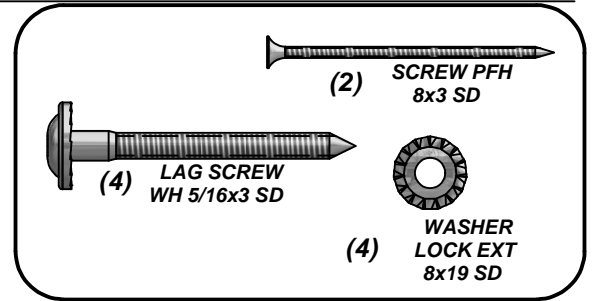
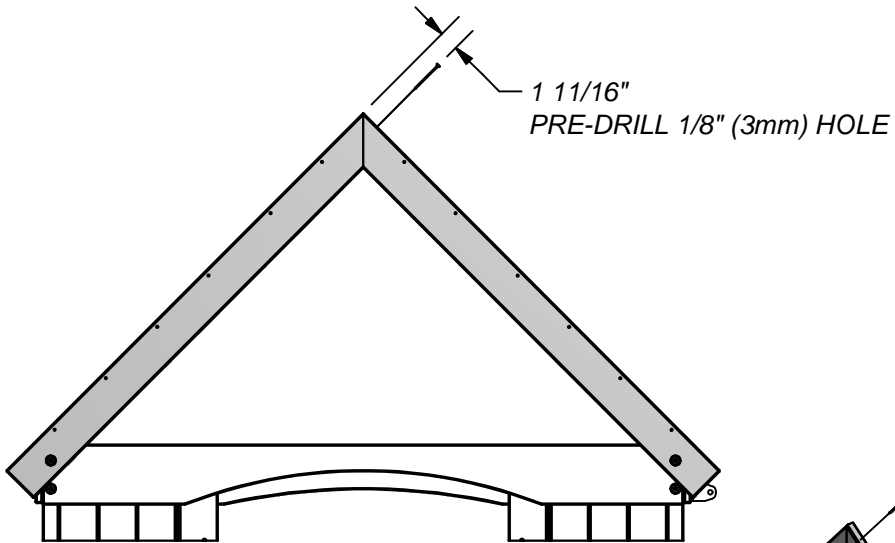


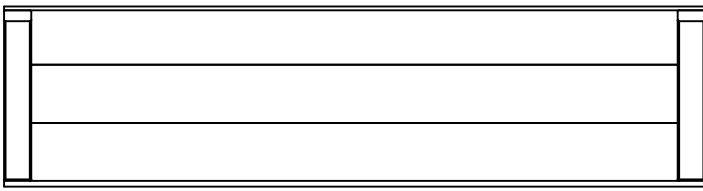
SCREW PFH 8x1 1/2 SD
(4 PLCS)



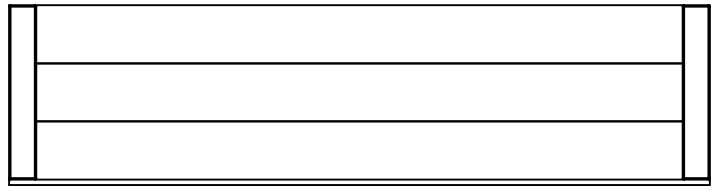
(4) **H11 - ROOF RAFTER - W4L11192**
1"x3 3/8"x43 7/8" (24x86x1114)

STEP 44

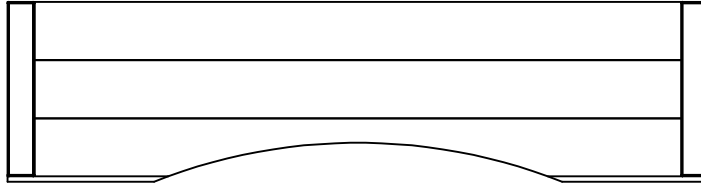




(1) RP1 - PEAK ROOF PANEL - W2A02287
1 5/8"x15 5/8"x60 7/8" (42x396x1546)

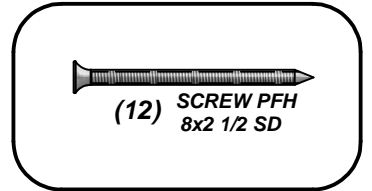


(1) RP2 - ROOF PANEL - W2A02288
1 5/8"x15 5/8"x60 7/8" (42x396x1546)

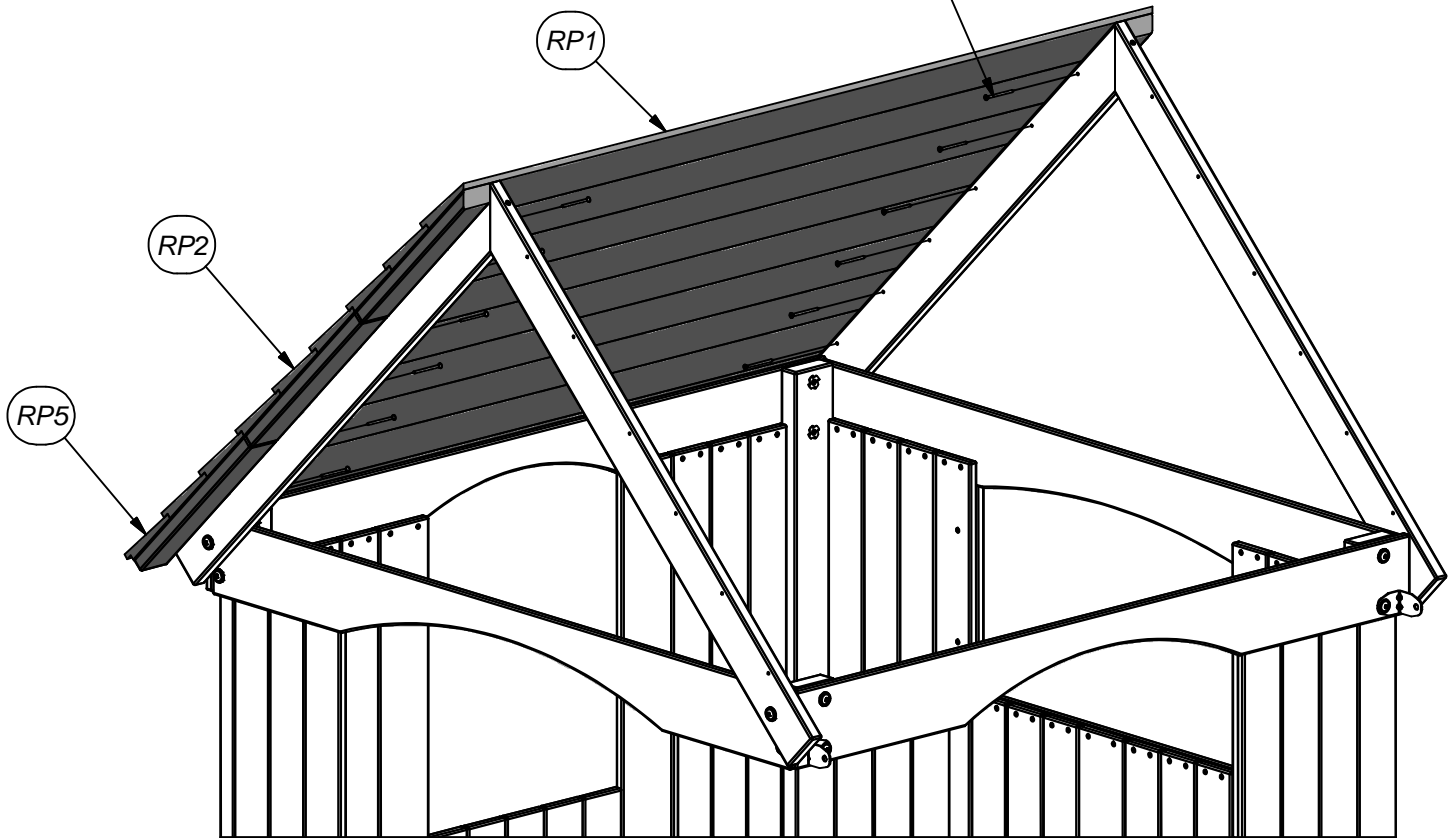


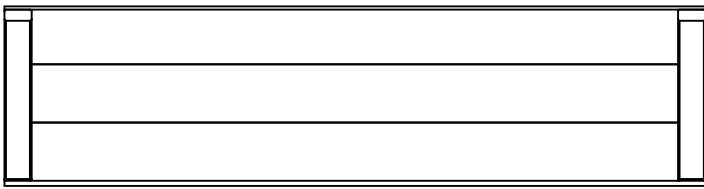
(1) RP5 - ROOF PANEL - W2A02291
1 5/8"x15 5/8"x60 7/8" (42x396x1546)

STEP 45

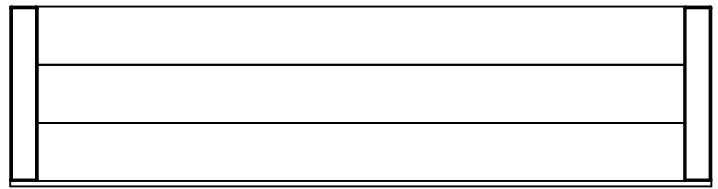


SCREW PFH 8x2 1/2 SD
(12 PLCS)



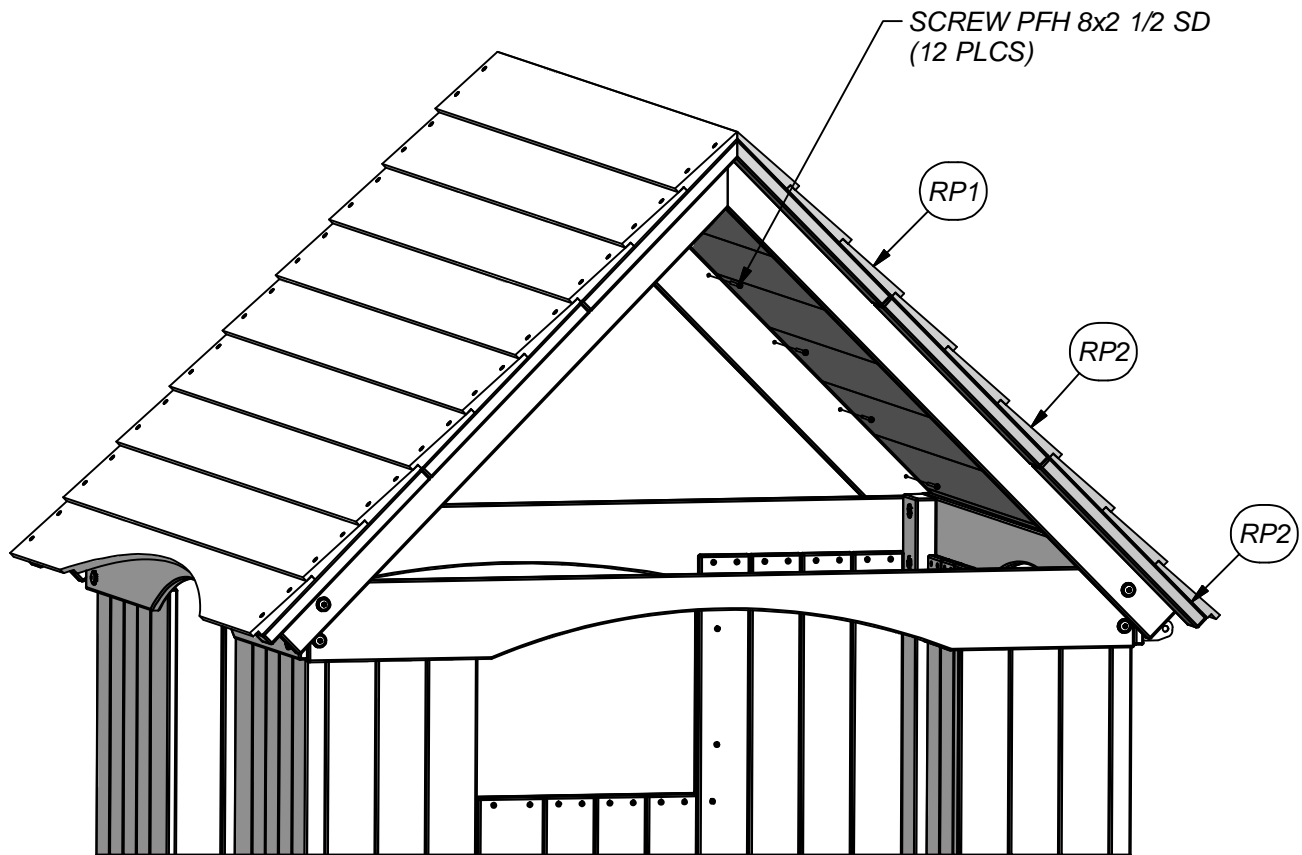
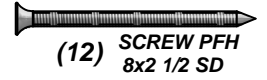


(1) **RP1 - PEAK ROOF PANEL - W2A02287**
1 5/8"x15 5/8"x60 7/8" (42x396x1546)



(2) **RP2 - ROOF PANEL - W2A02288**
1 5/8"x15 5/8"x60 7/8" (42x396x1546)

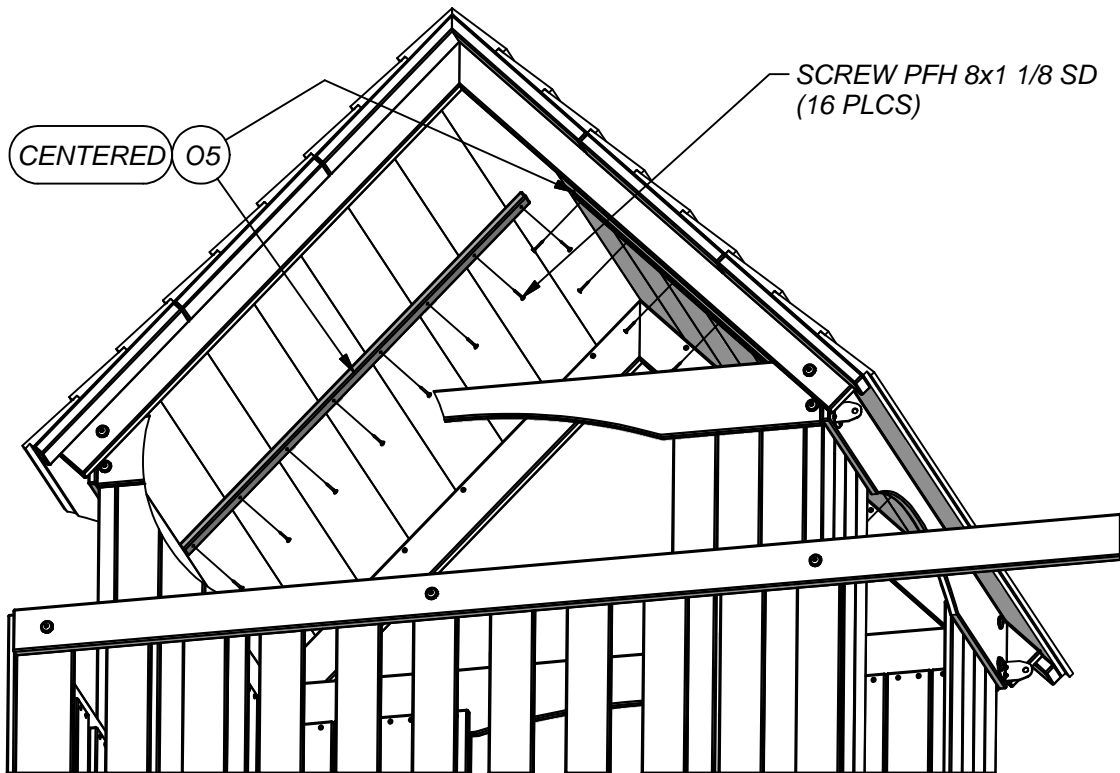
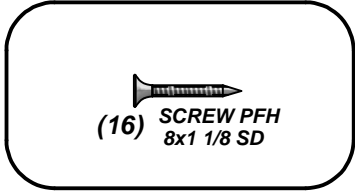
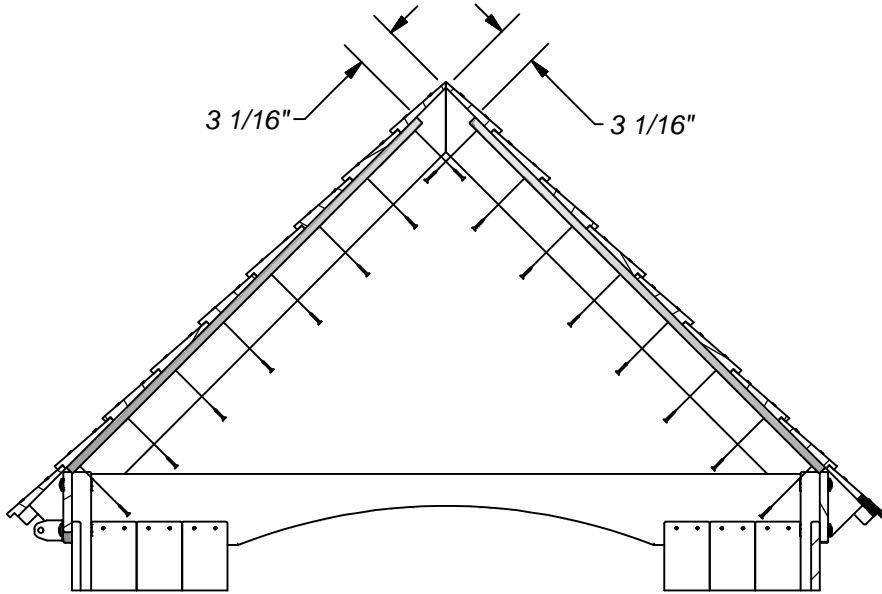
STEP 46





(2) O5 - CLEAT - W4L11237
5/8" x 1 3/8" x 36 7/8" (16x34x936)

STEP 47





(2) K91 - GABLE BOARD - W4L11200
3/8"x3 3/8"x49 5/8" (11x86x1260)



(2) K92 - GABLE BOARD - W4L11201
3/8"x3 3/8"x43 1/4" (11x86x1098)



(2) K93 - GABLE BOARD - W4L11202
3/8"x3 3/8"x36 7/8" (11x86x936)



(2) K94 - GABLE BOARD - W4L11203
3/8"x3 3/8"x30 1/2" (11x86x774)



(2) K95 - GABLE BOARD - W4L11204
3/8"x3 3/8"x24 1/8" (11x86x612)



(2) K96 - GABLE BOARD - W4L11205
3/8"x3 3/8"x17 3/4" (11x86x450)



(2) K97 - GABLE BOARD - W4L11206
3/8"x3 3/8"x11 3/8" (11x86x288)

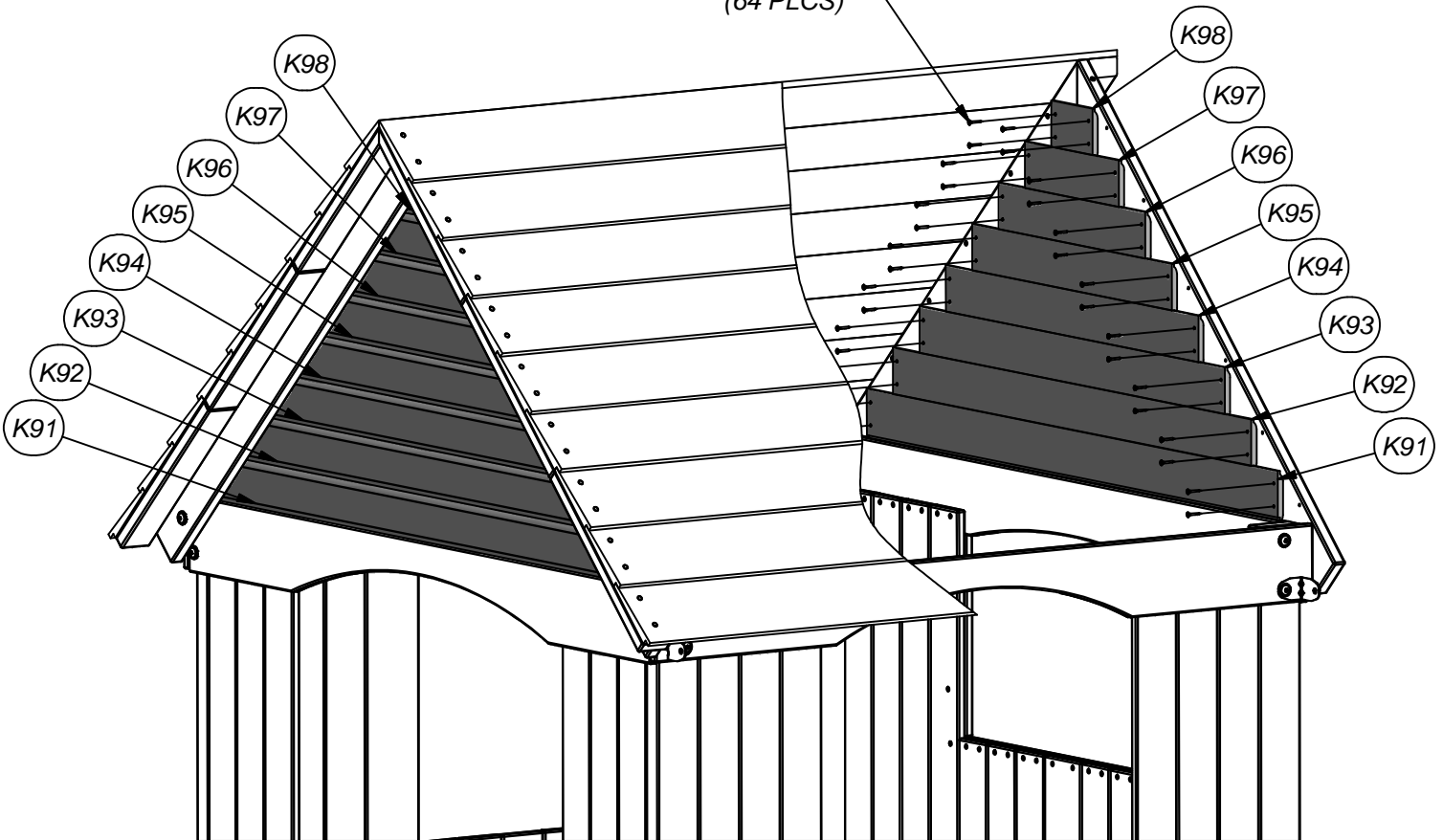


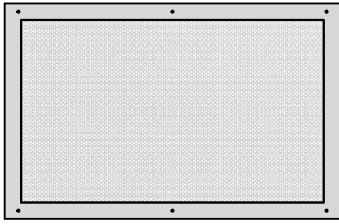
(2) K98 - GABLE BOARD - W4L11207
3/8"x3 3/8"x5" (11x86x126)

STEP 48

 (64) SCREW PFH
8x1 1/8 SD

SCREW PFH 8x1 1/8 SD
(64 PLCS)





(1) HP - MESH PANEL - A100012

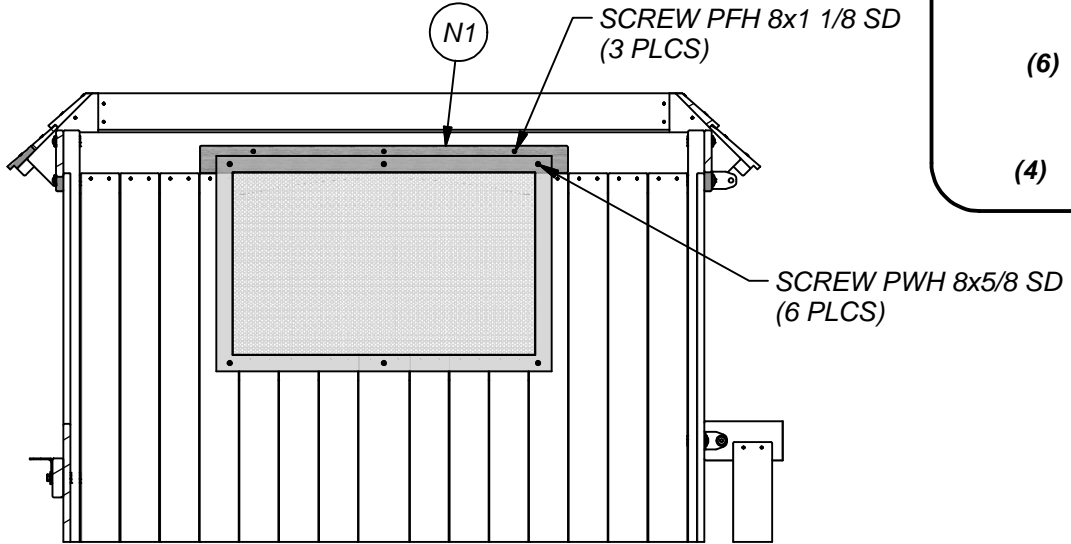



(1) N1 - WALL BOARD - W4L11235
5/8"x2 3/8"x32" (16x60x812)





(1) HC - BYD ID TAG (LARGE) 2011 WITH AGES - A100164

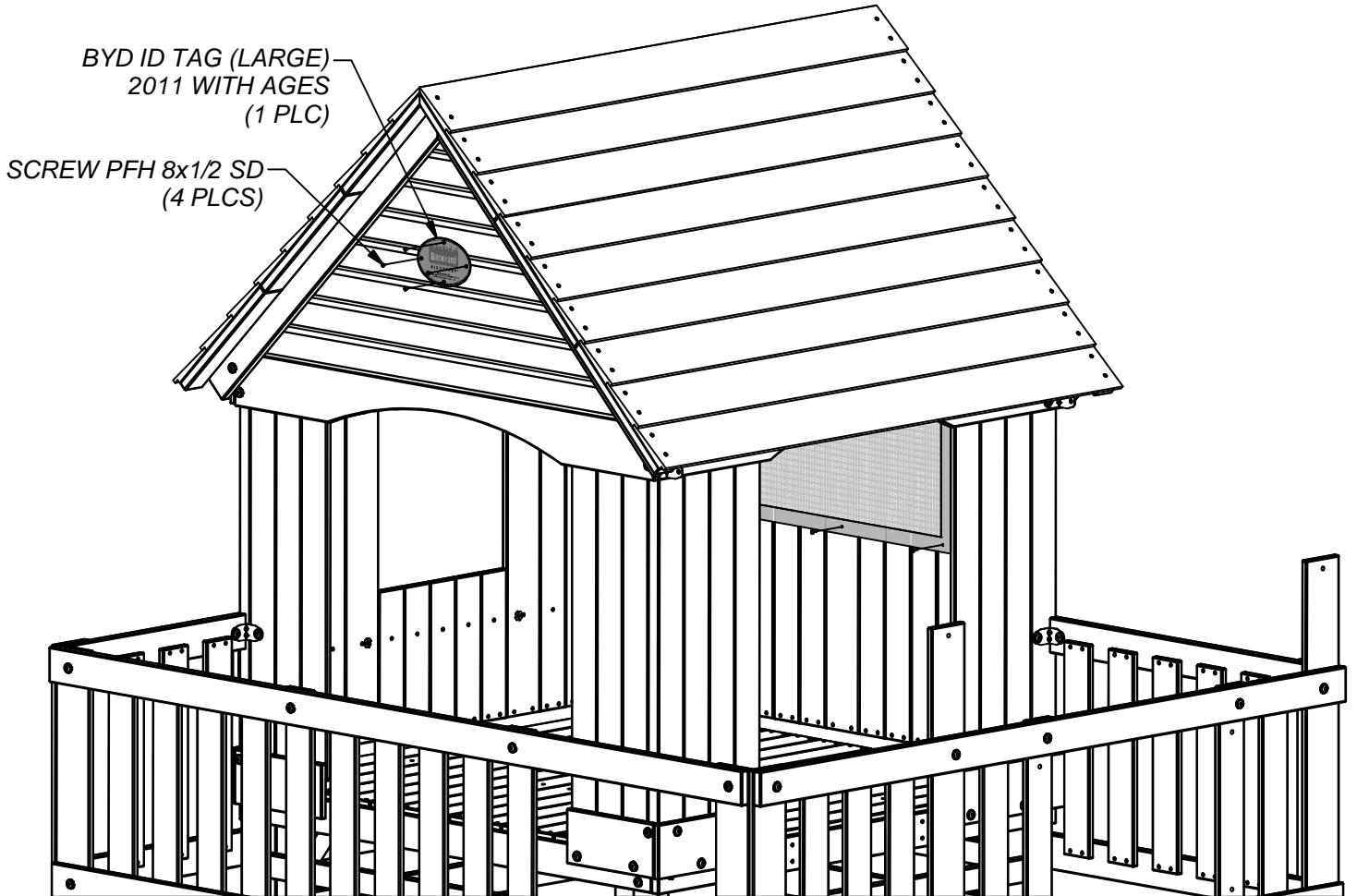
STEP 49

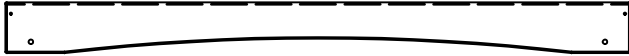


(3)  SCREW PFH 8x1 1/8 SD

(6)  SCREW PWH 8x5/8 SD

(4)  SCREW PFH 8x1/2 SD



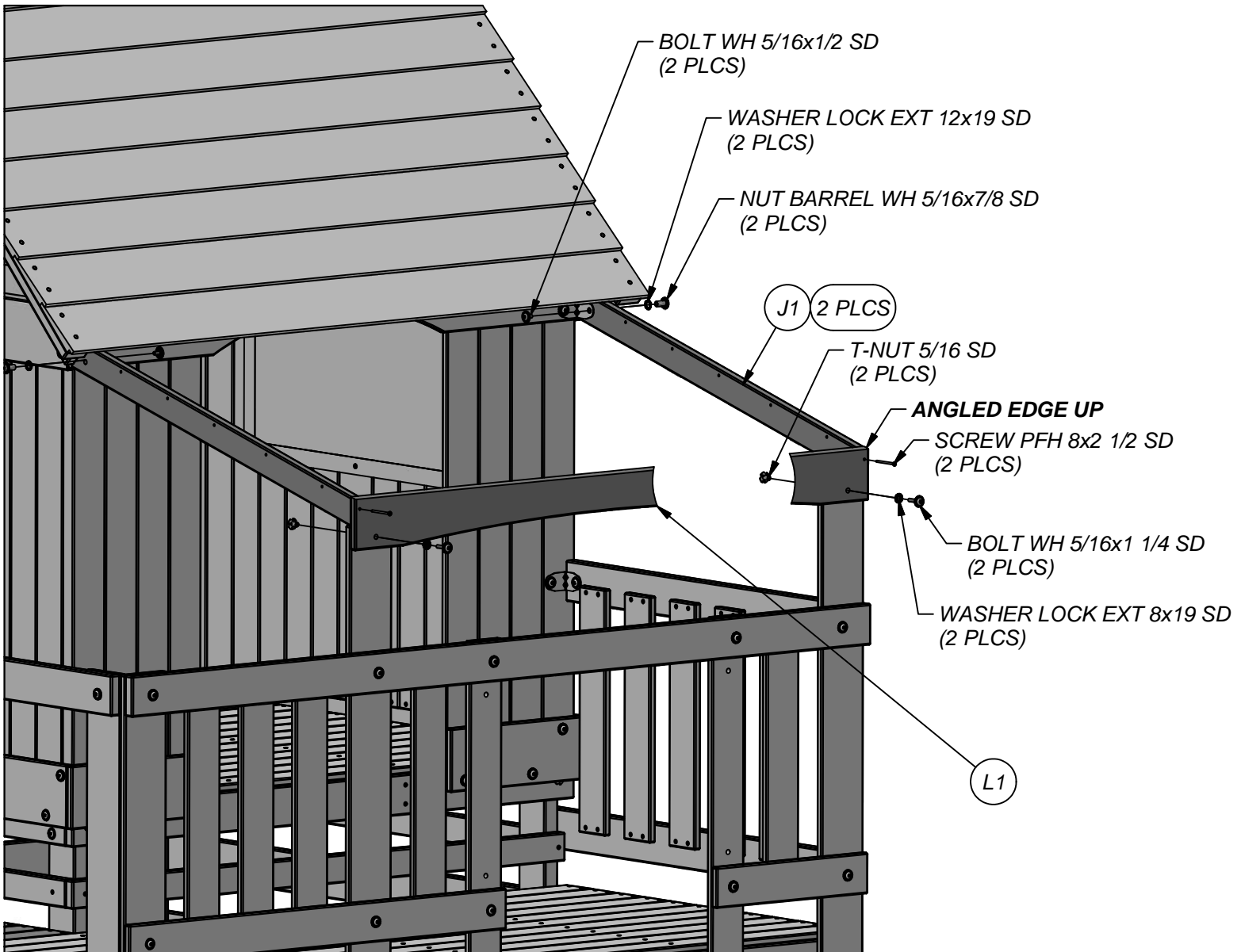
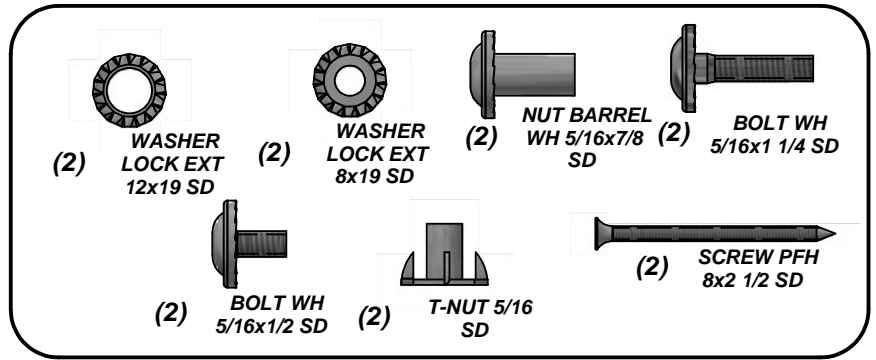


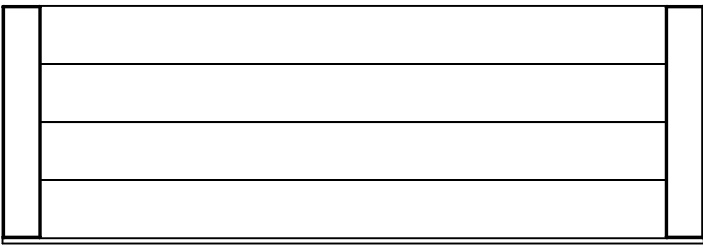
(1) L1 - WALL BOARD - W4L11208
5/8"x4 3/8"x54 1/4" (16x112x1378)



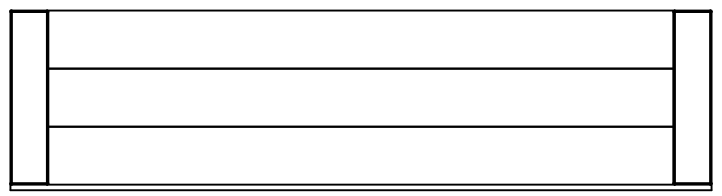
(2) J1 - PORCH RAFTER - W4L11197
1"x2 3/8"x38 1/8" (24x60x969)

STEP 50





(1) **RP3 - PORCH PANEL - W2A02289**
 1 5/8"x20 5/8"x60 7/8" (42x524x1546)

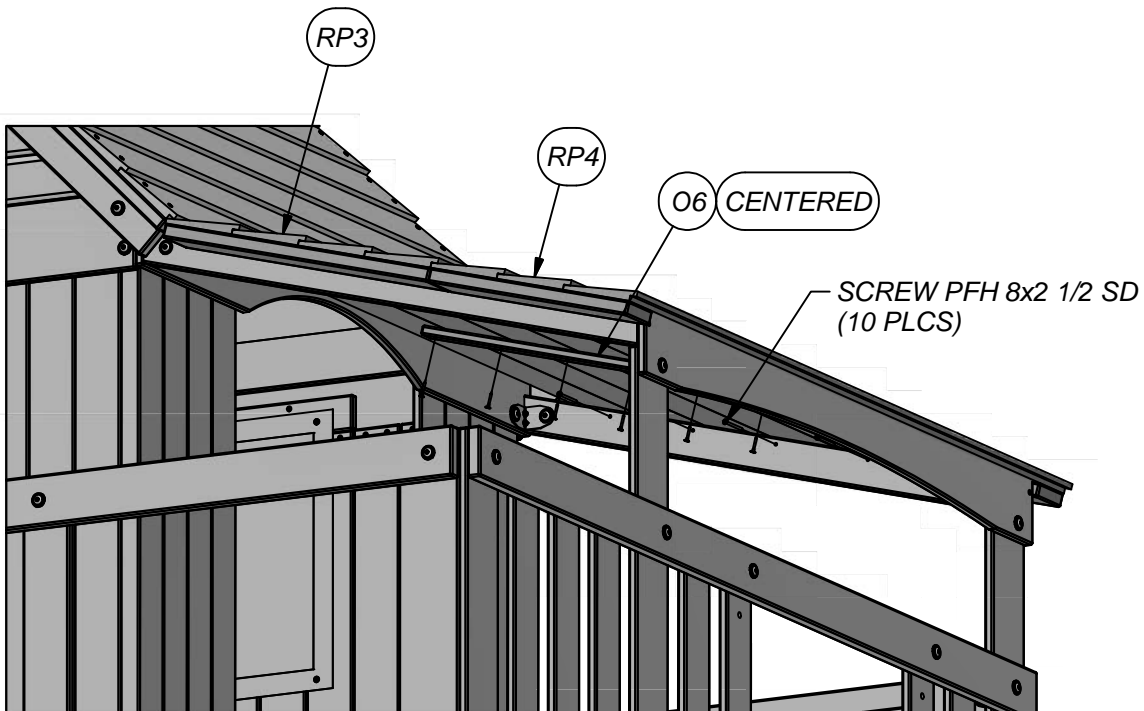
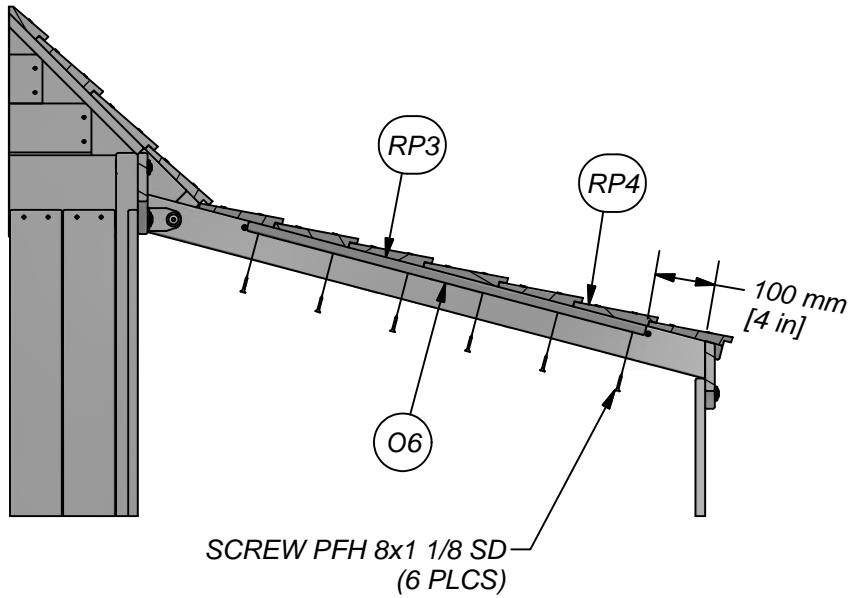
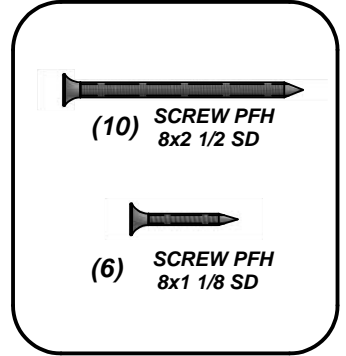


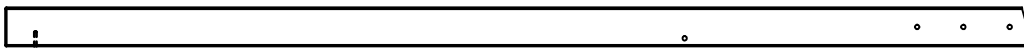
(1) **RP4 - PORCH PANEL - W2A02290**
 1 5/8"x15 5/8"x60 7/8" (42x396x1546)



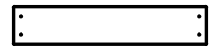
(1) **O6 - CLEAT - W4L11238**
 5/8"x1 3/8"x26 3/4" (16x34x680)

STEP 51





(2) **E2 - LADDER RAIL - W4L09100**
 1 3/8"x3 3/8"x89 1/4" (36x86x2266)



(1) **M23 - LADDER RUNG - W4L09099**
 5/8"x3 3/8"x16 7/8" (16x86x429)

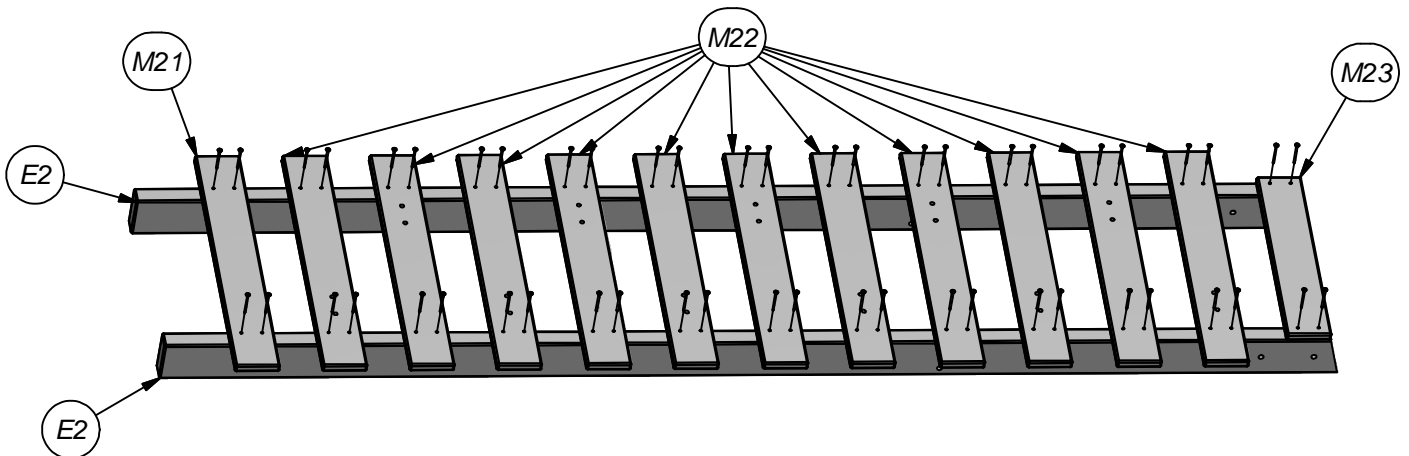
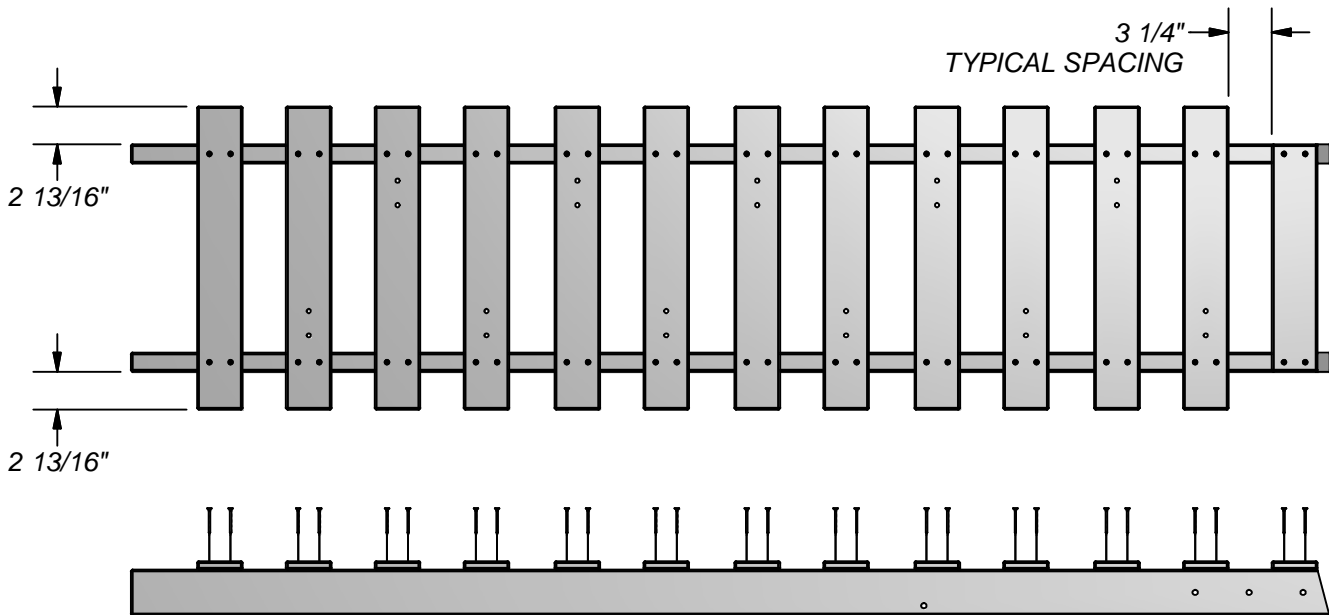
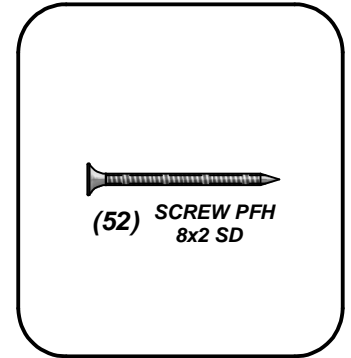


(1) **M21 - LADDER RUNG - W4L09102**
 5/8"x3 3/8"x22 1/2" (16x86x572)



(11) **M22 - LADDER RUNG - W4L09101**
 5/8"x3 3/8"x22 1/2" (16x86x572)

STEP 52



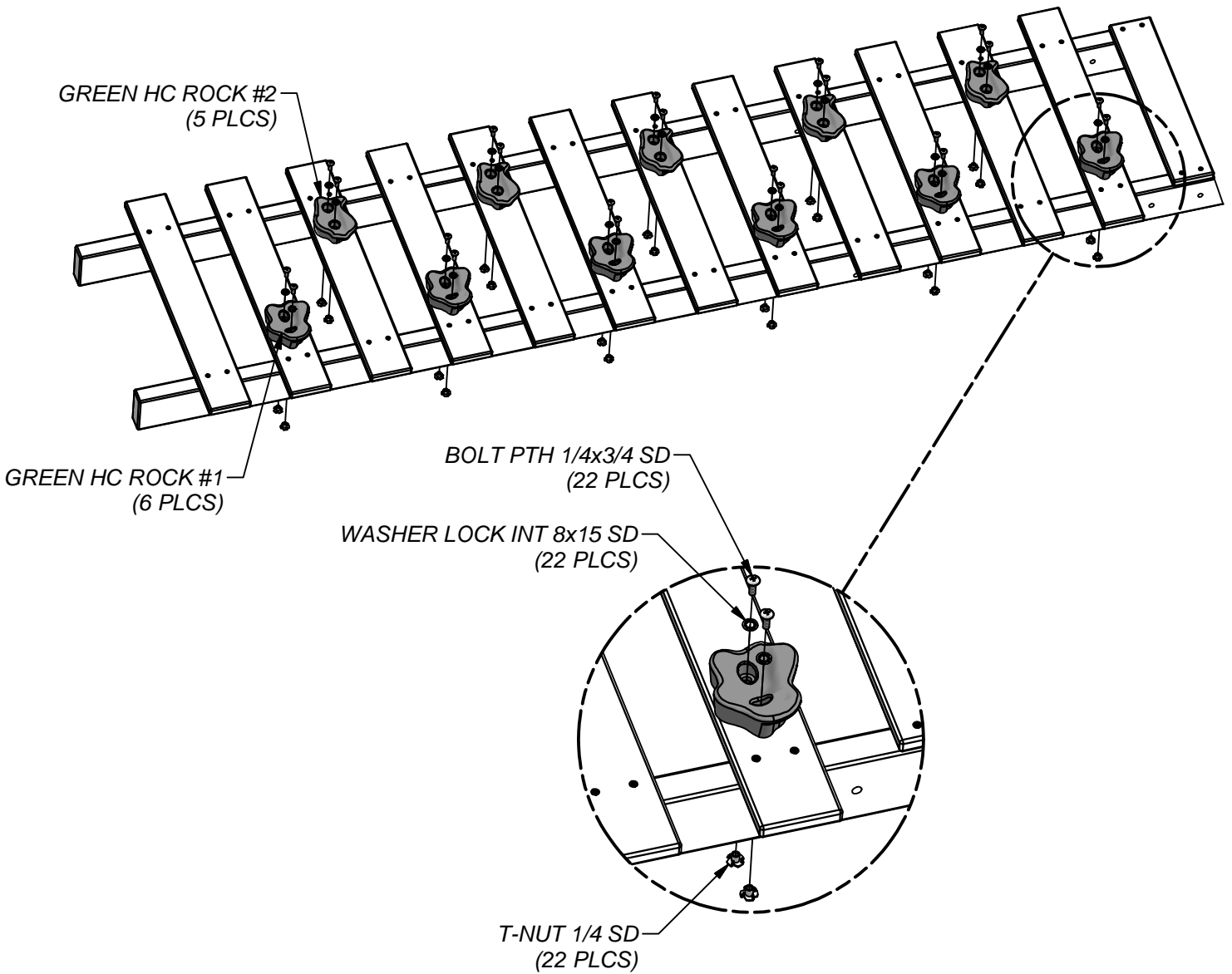
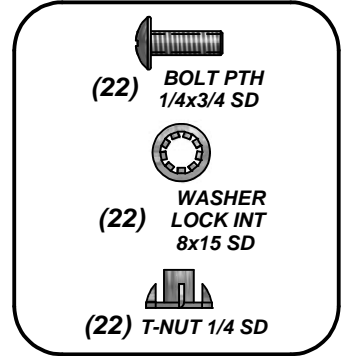


(5) - GREEN HC ROCK #2 - A6P00037



(6) - GREEN HC ROCK #1 - A6P00036

STEP 53



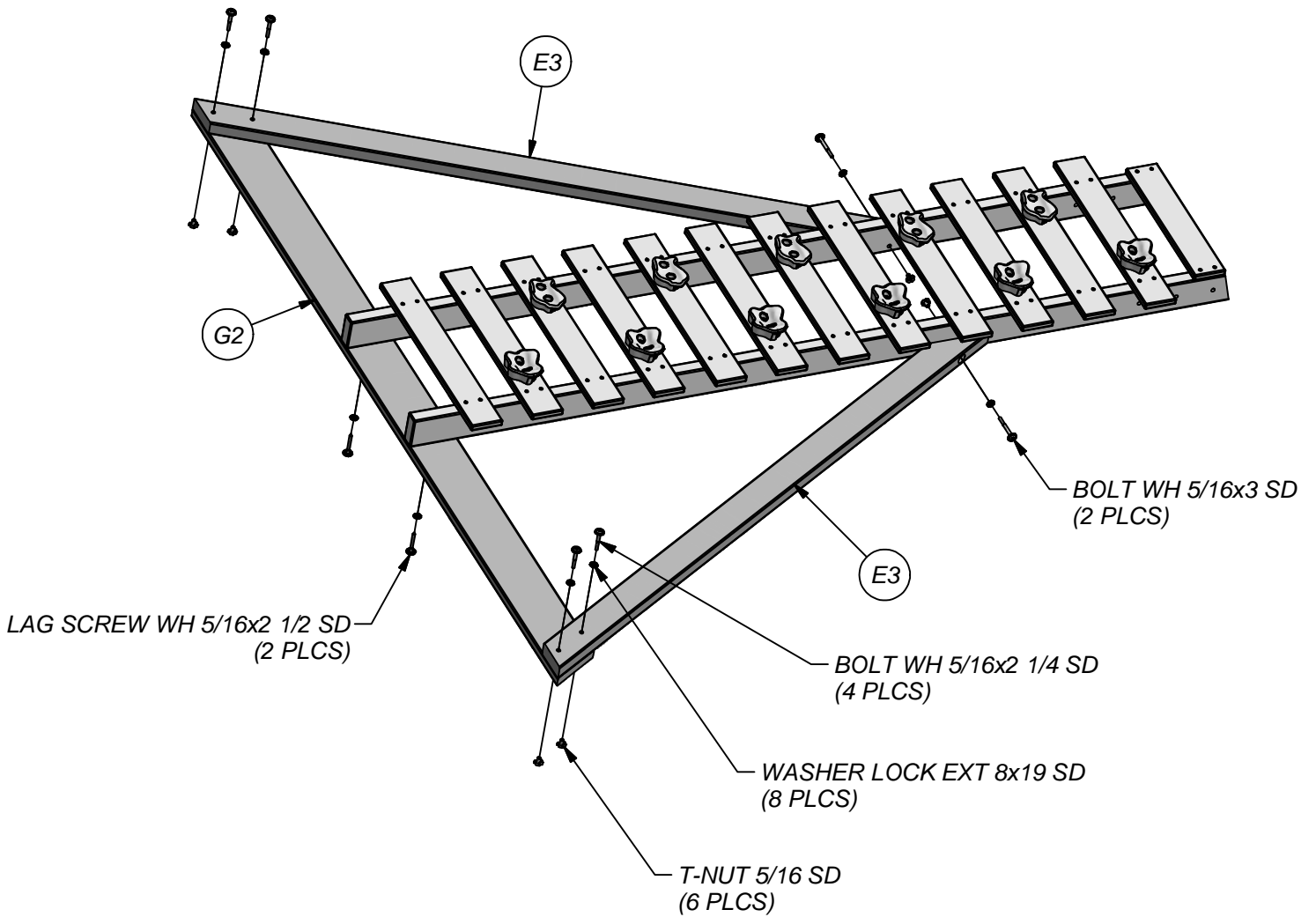
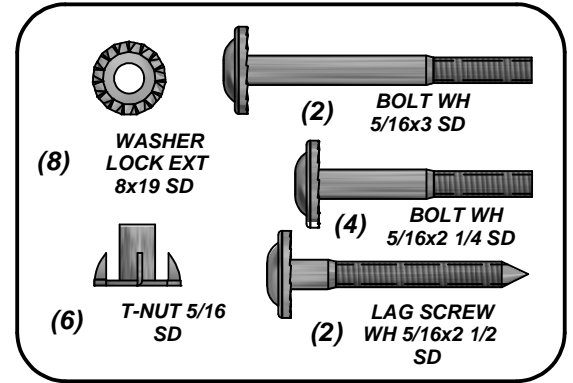


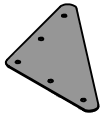
(2) E3 - BRACE - W4L09103
1 3/8"x3 3/8"x72 5/8" (36x86x1845)



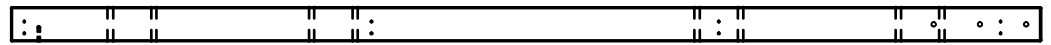
(1) G2 - GROUND BOARD - W4L09104
1"x5 1/4"x89 1/2" (24x134x2274)

STEP 54





(2) DD - TRIANGLE PLATE 105 5 HOLE - A100005

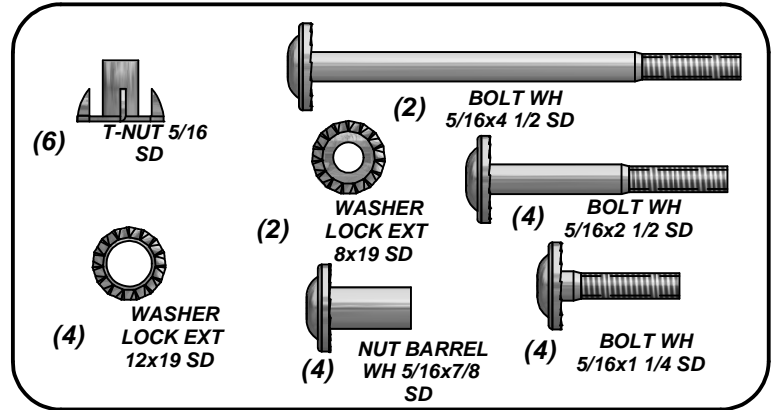


(1) B1 - SWING BEAM - W4L09091
3"x3"x89 1/2" (76x76x2274)



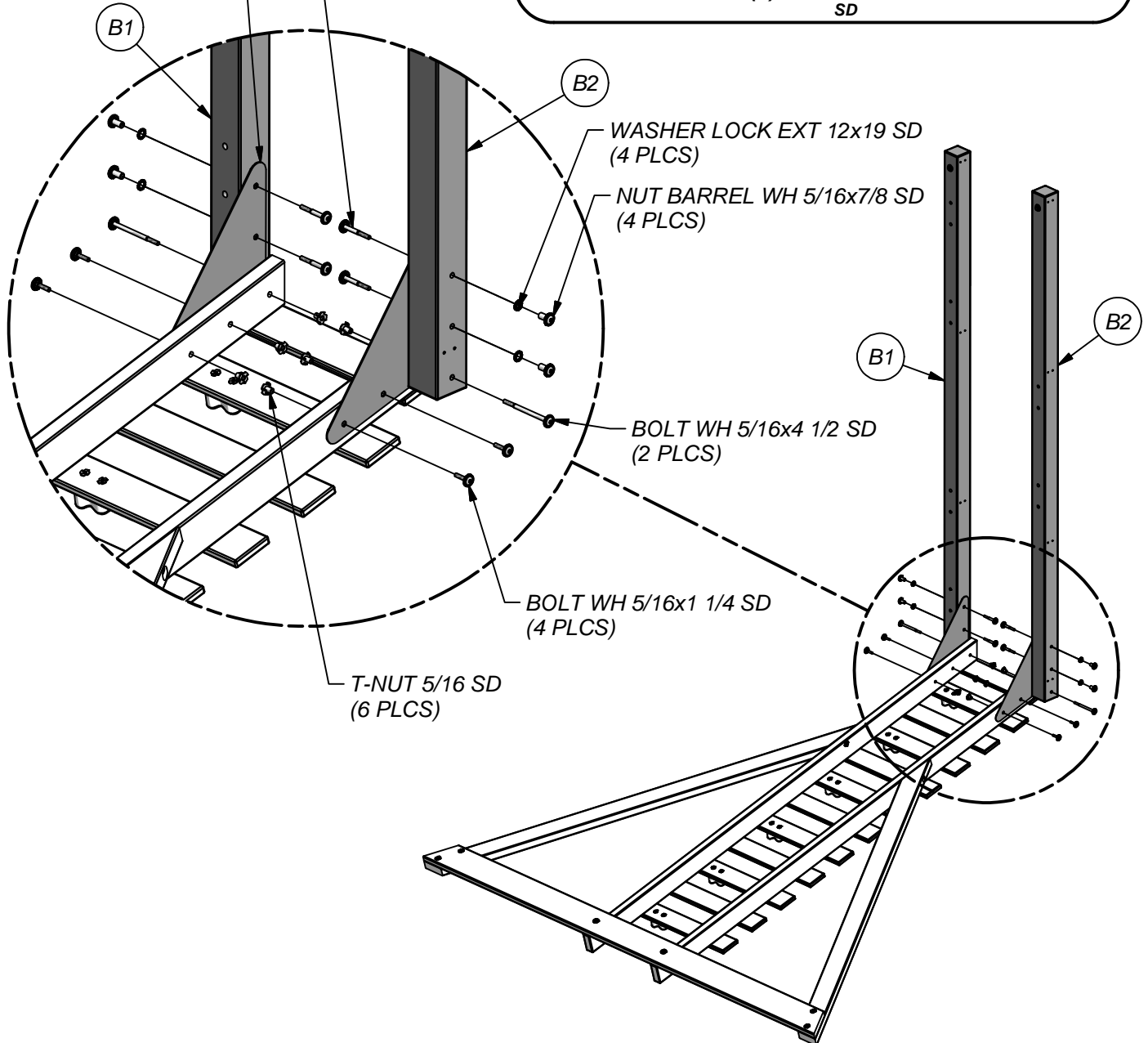
(1) B2 - SWING BEAM - W4L09090
3"x3"x89 1/2" (76x76x2274)

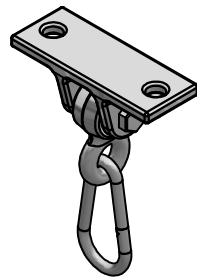
STEP 55



BOLT WH 5/16x2 1/2 SD
(4 PLCS)

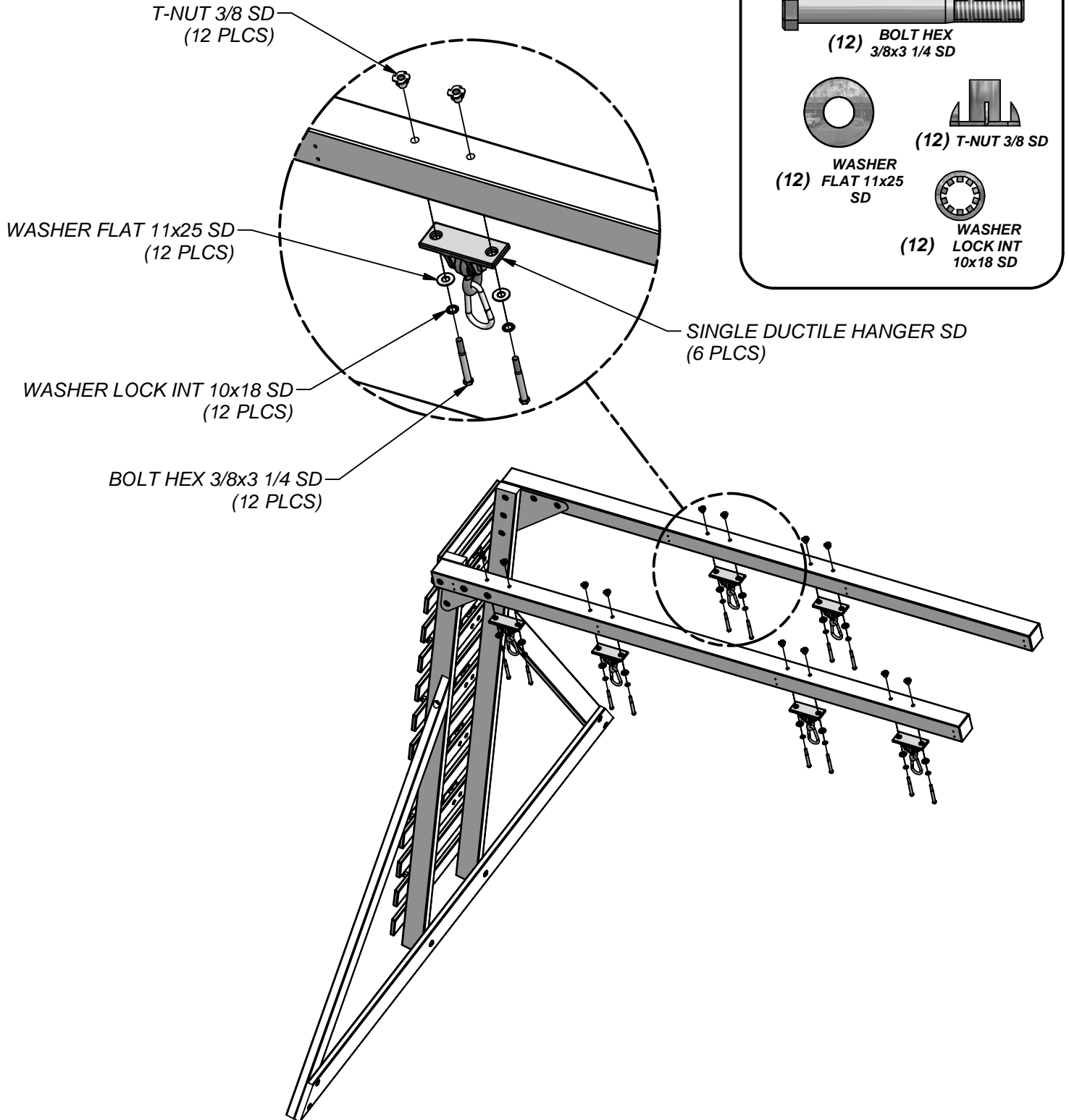
TRIANGLE PLATE 105 5 HOLE
(2 PLCS)



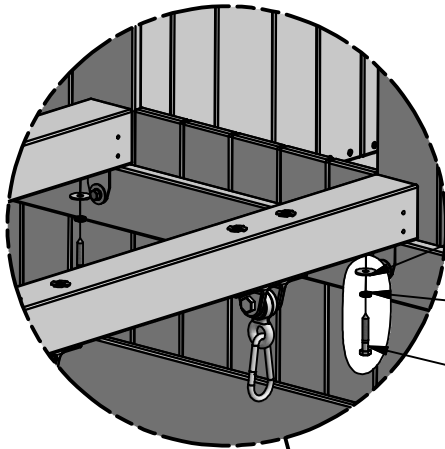


(6) SINGLE DUCTILE HANGER SD - A4M00926

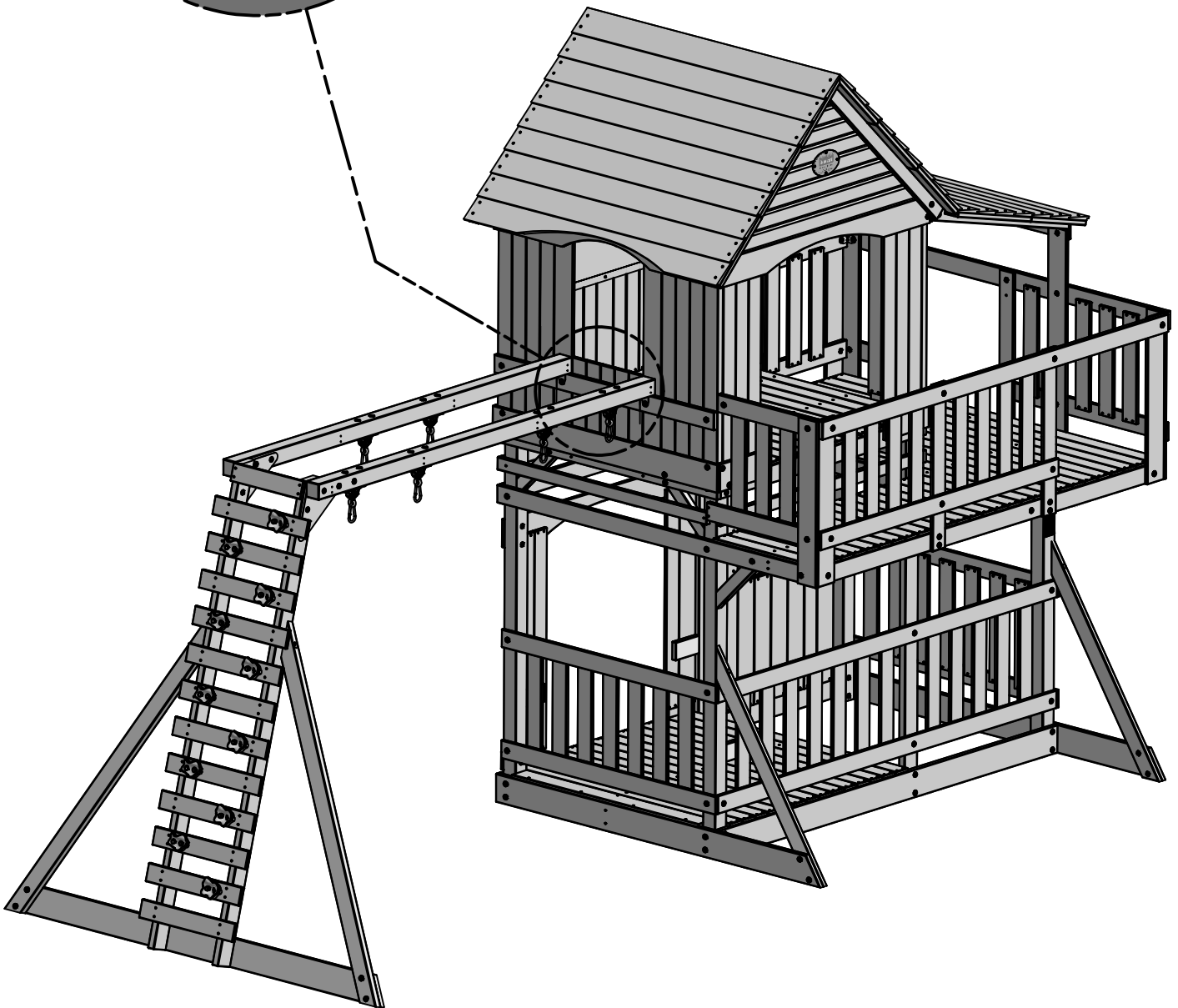
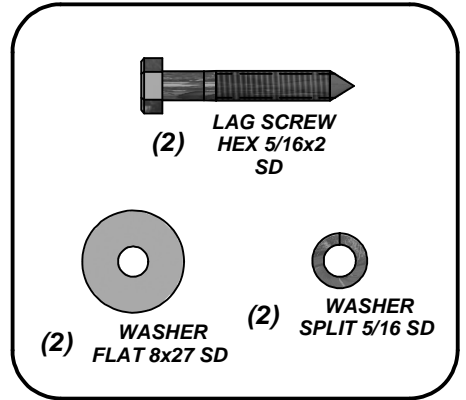
STEP 56



STEP 57

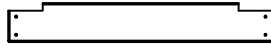


- WASHER FLAT 8x27 SD
(2 PLCS)
- WASHER SPLIT 5/16 SD
(2 PLCS)
- LAG SCREW HEX 5/16x2 SD
(2 PLCS)

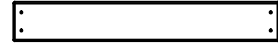




(1) **K12 - FLOOR BOARD - W4L11198**
5/8"x5 1/4"x23 1/8" (16x134x586)

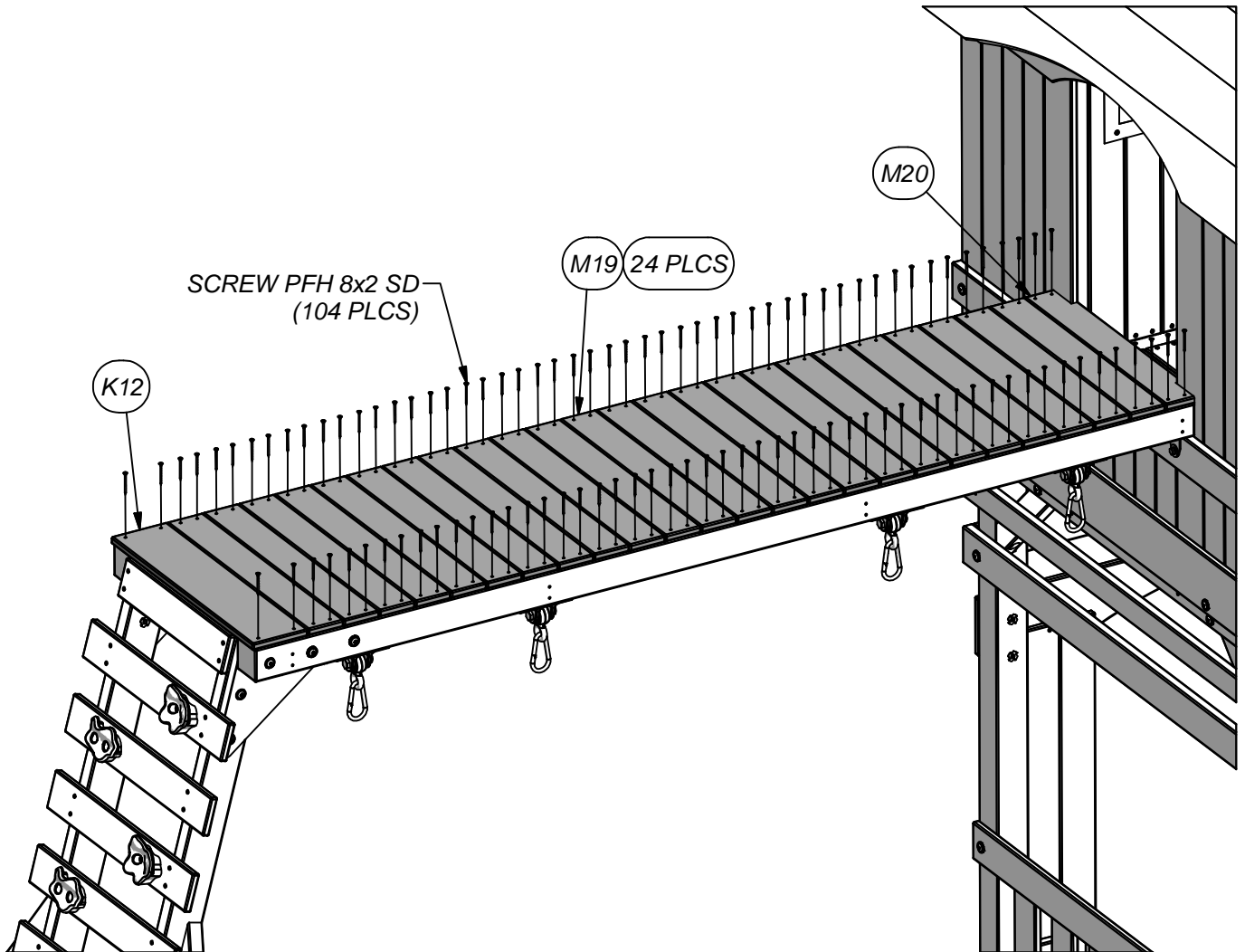
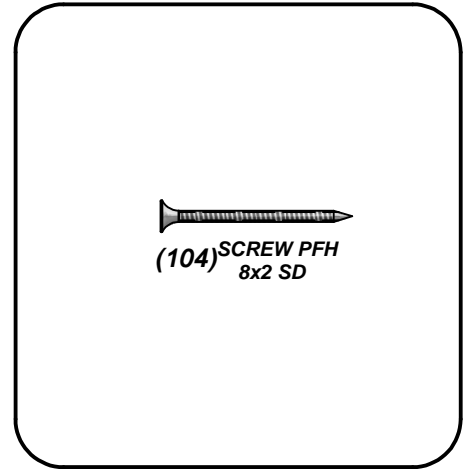


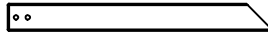
(1) **M20 - FLOOR BOARD - W4L11230**
5/8"x3 3/8"x23 1/8" (16x86x586)



(24) **M19 - FLOOR BOARD - W4L11229**
5/8"x3 3/8"x23 1/8" (16x86x586)

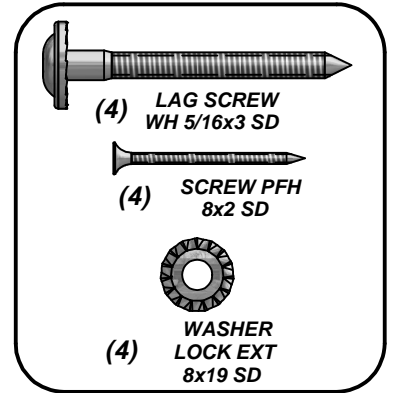
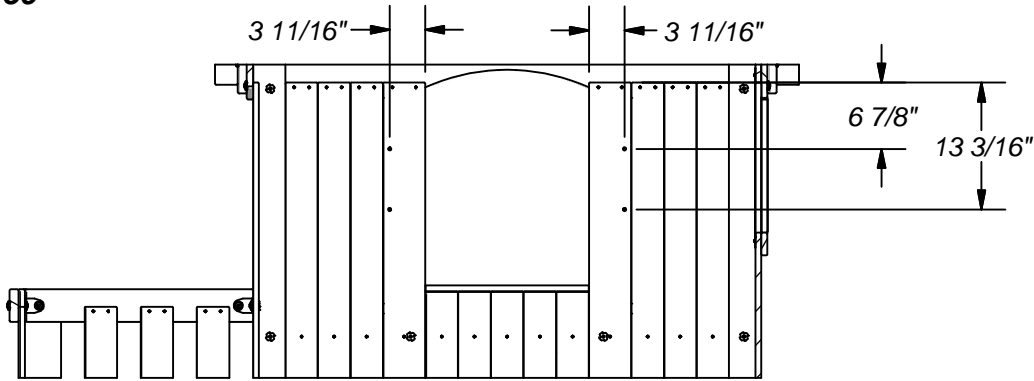
STEP 58



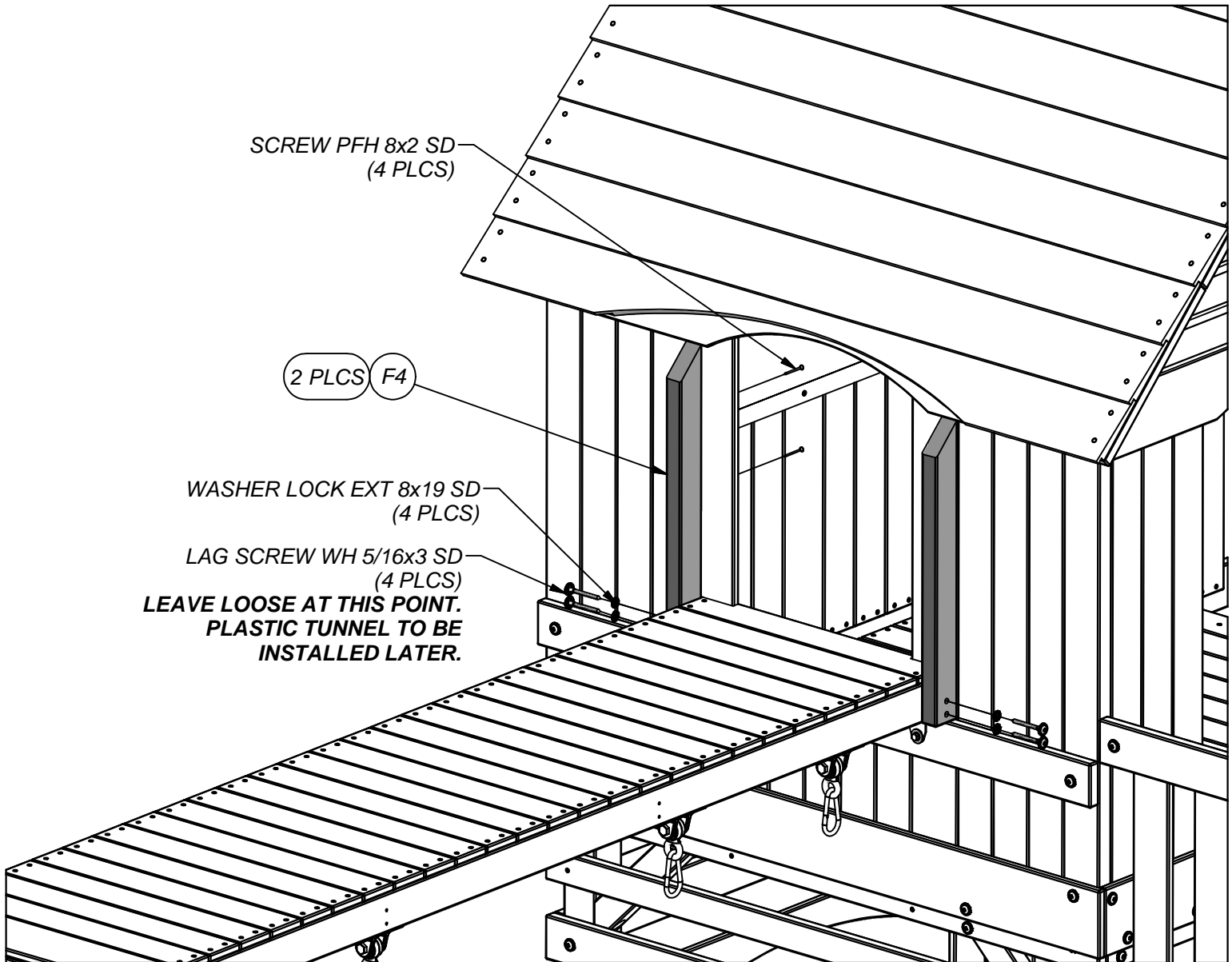


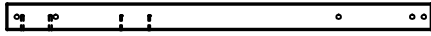
(2) **F4 - UPRIGHT - W4L09063**
 1 3/8"x2 3/8"x23 1/8" (36x60x586)

STEP 59



NOTE:
DRILL 3/16" (5 MM) HOLES WHERE INDICATED.



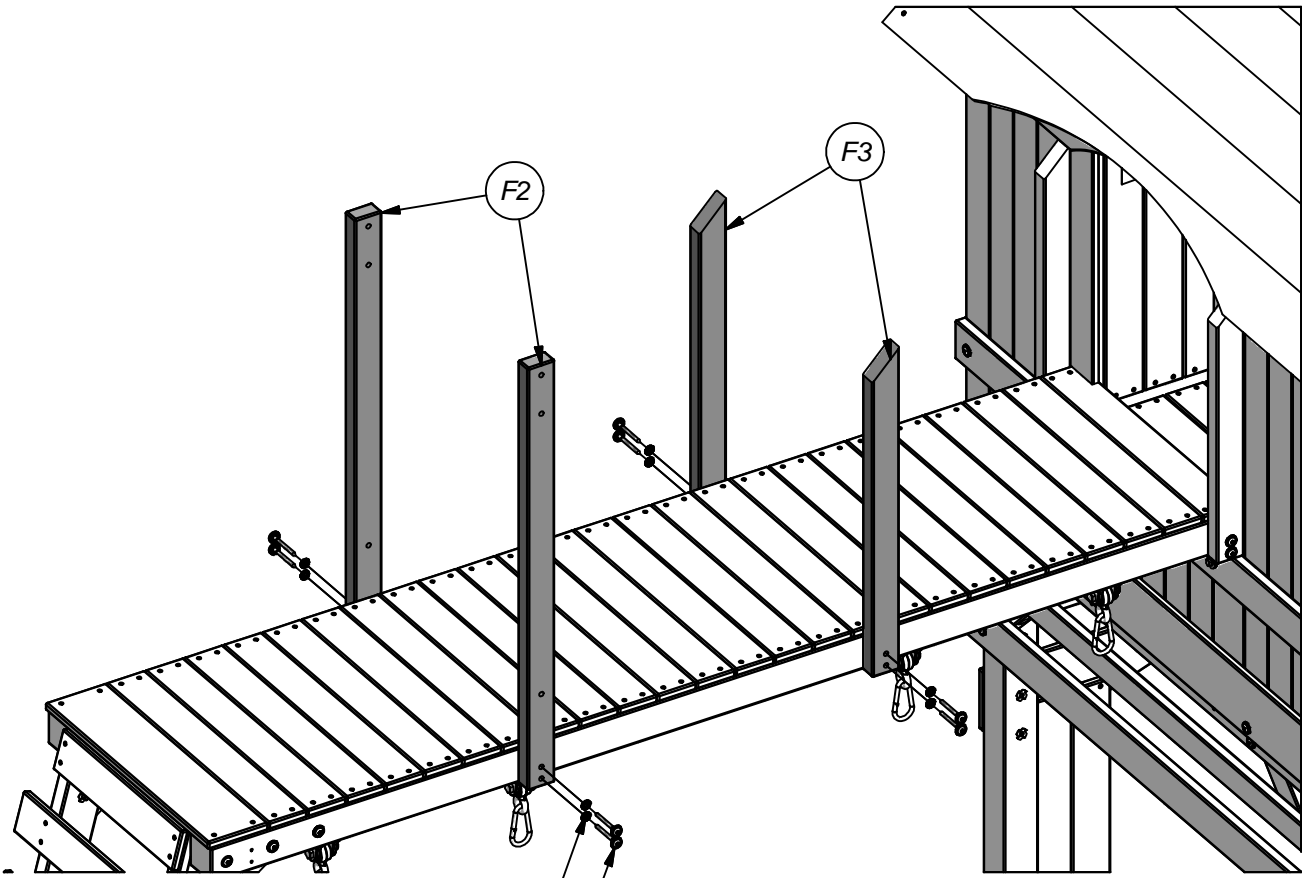
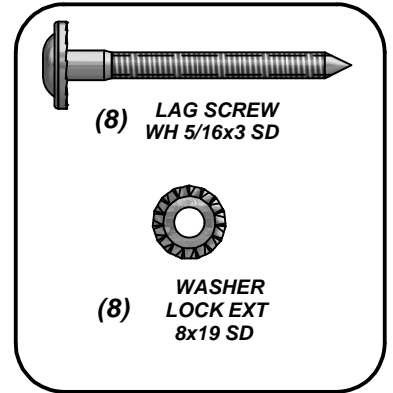


(2) **F2 - UPRIGHT - W4L11186**
 1 3/8"x2 3/8"x37" (36x60x940)



(2) **F3 - UPRIGHT - W4L09093**
 1 3/8"x2 3/8"x28 1/4" (36x60x716)

STEP 60



WASHER LOCK EXT 8x19 SD
 (8 PLCS)

LAG SCREW WH 5/16x3 SD
 (8 PLCS)

LEAVE LOOSE AT THIS TIME.
PLASTIC TUNNEL TO BE
INSTALLED LATER.

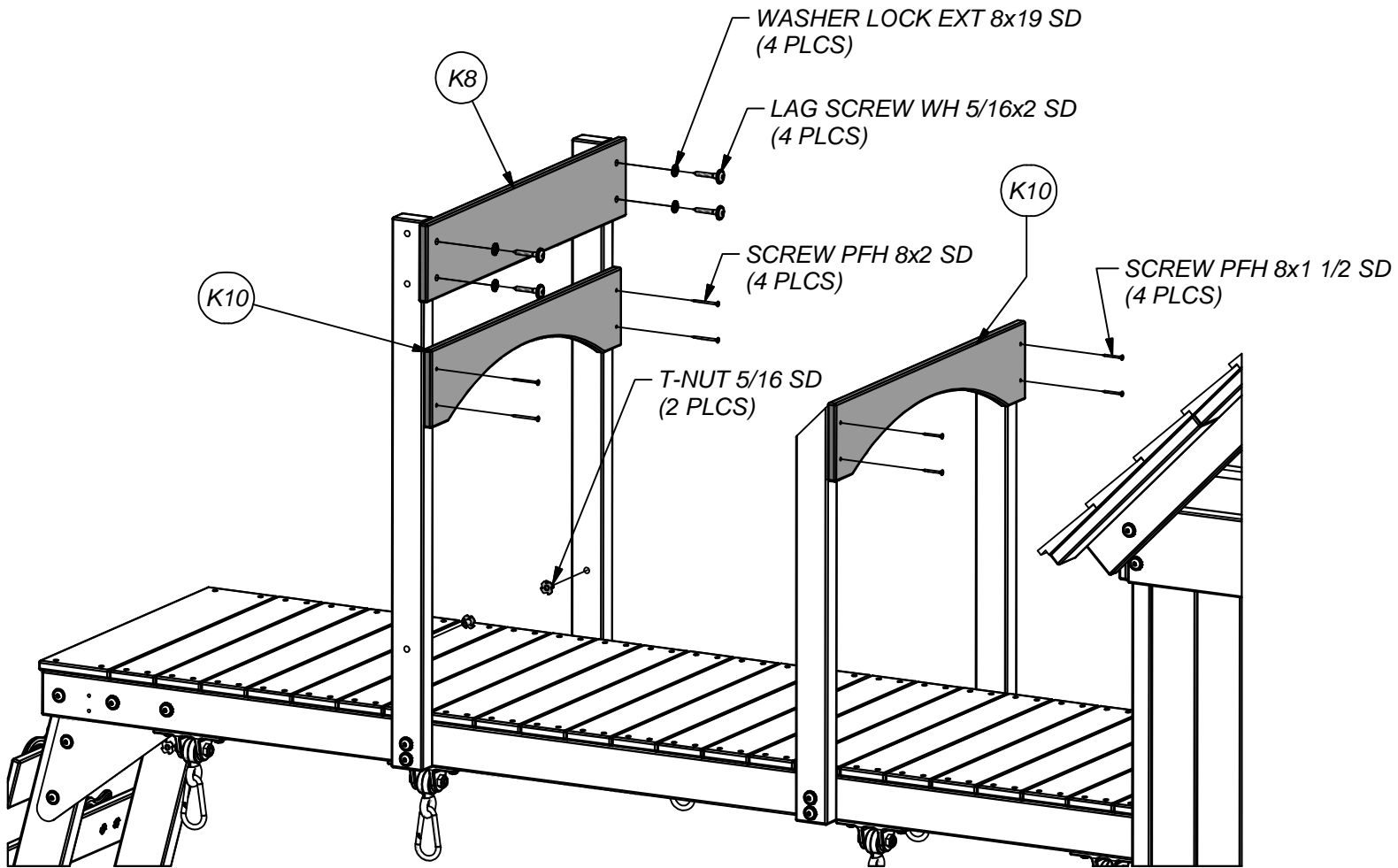
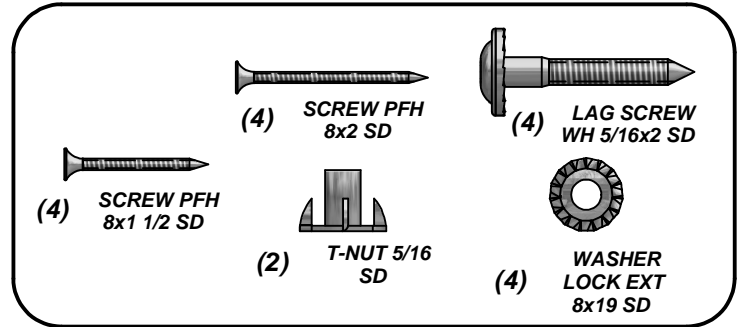


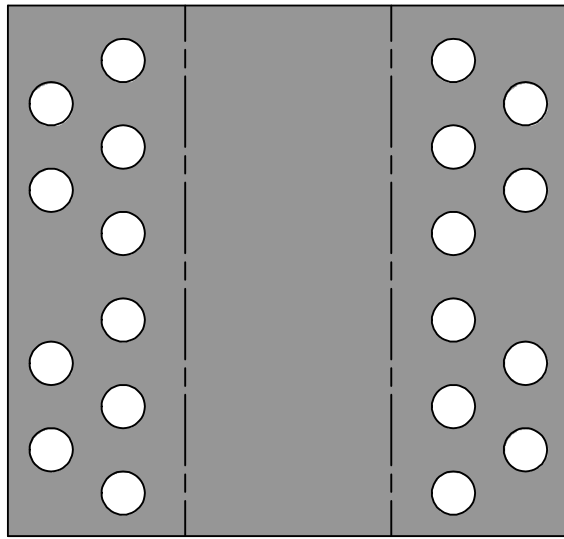
(1) **K8 - WALL RAIL - W4L09097**
5/8"x5 1/4"x27 1/8" (16x134x690)



(2) **K10 - ARCHED RAIL - W4L09094**
5/8"x5 1/4"x25 7/8" (16x134x658)

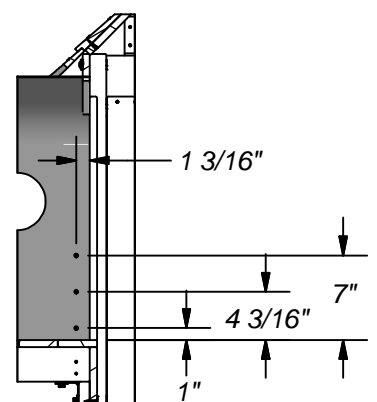
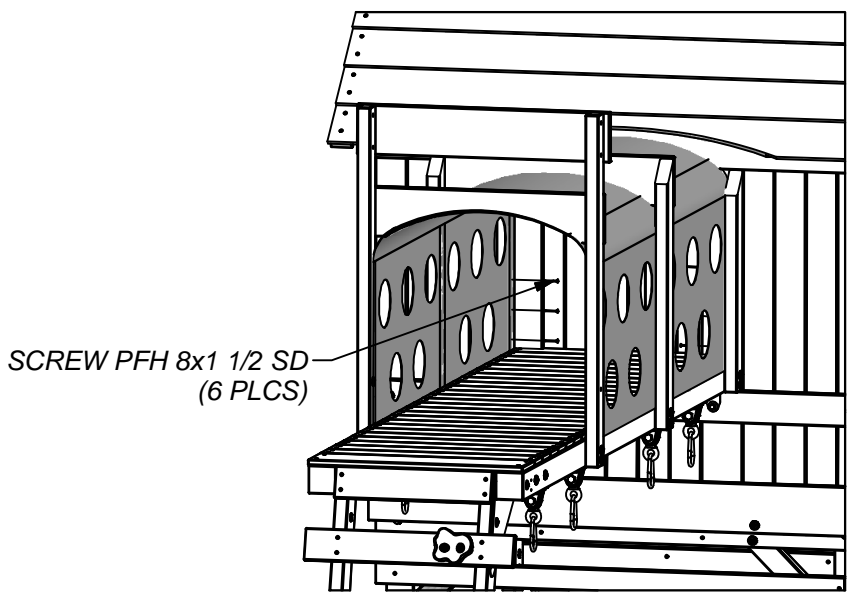
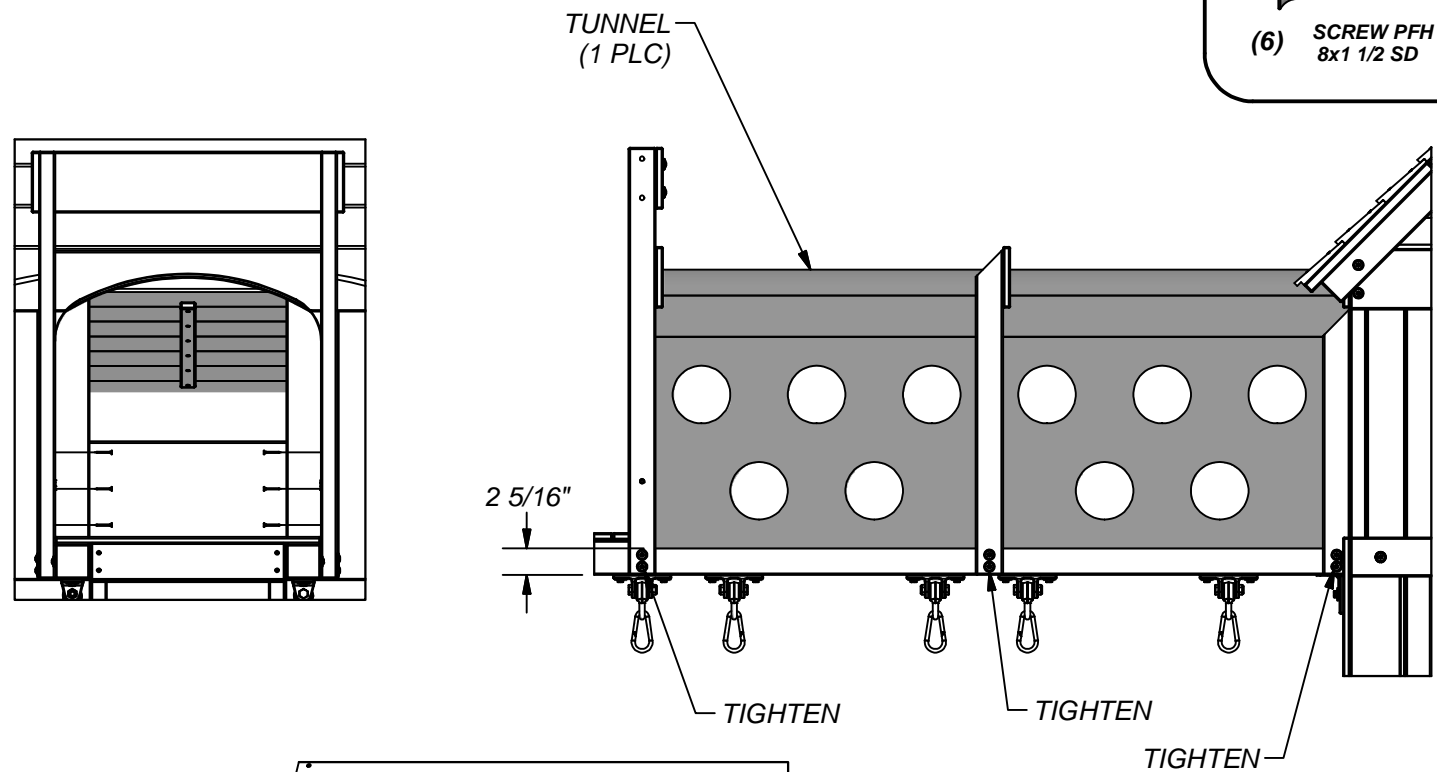
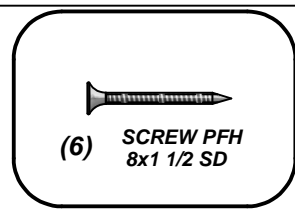
STEP 61

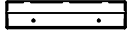




(1) - TUNNEL - A6P00273
 1/8"x61 3/8"x64 7/8" (2x1558x1649)

STEP 62



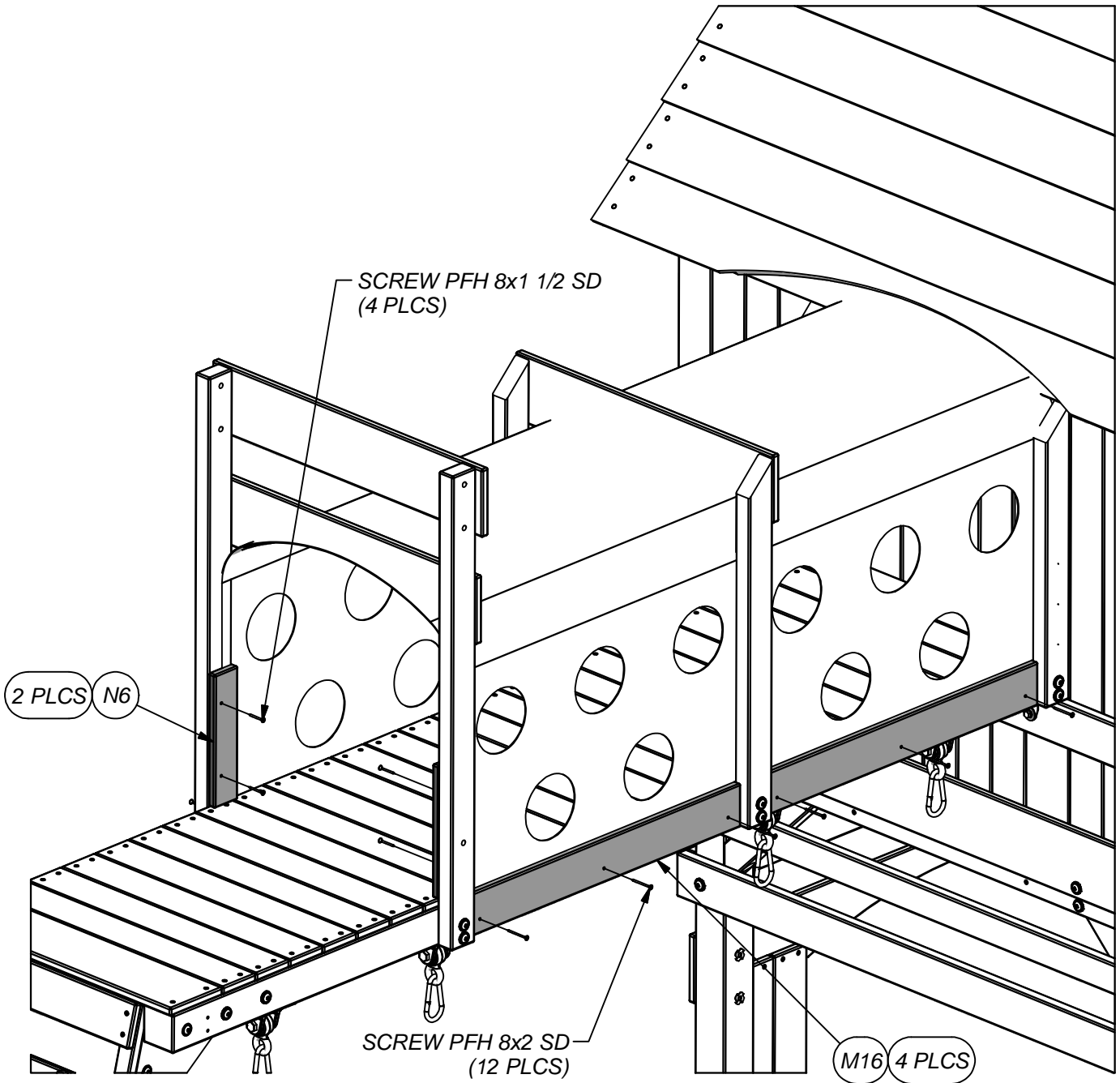
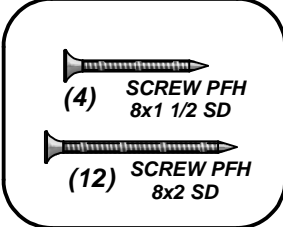


(2) **N6 - WALL BOARD - W4L11236**
 5/8"x2 3/8"x10 3/8" (16x60x264)



(4) **M16 - WALL RAIL - W4L09092**
 5/8"x3 3/8"x27 3/4" (16x86x706)

STEP 63



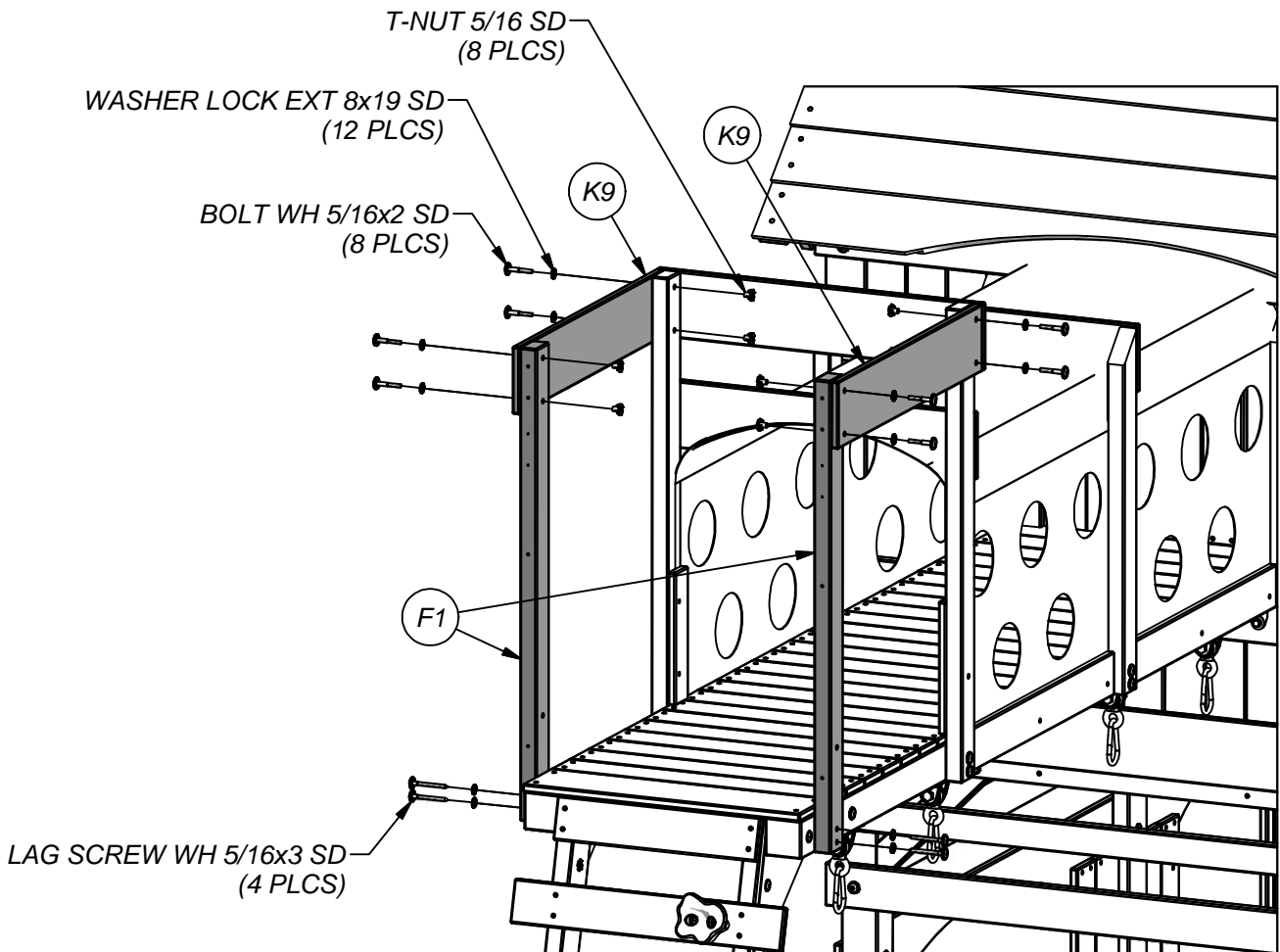
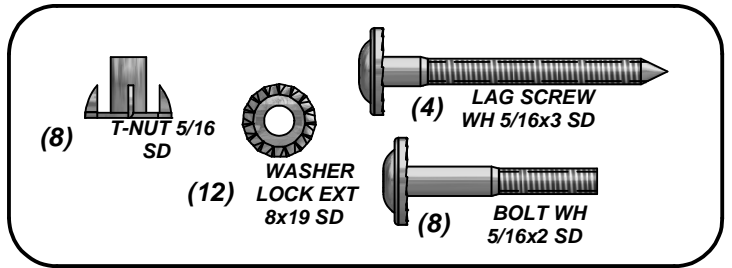


(2) **F1 - UPRIGHT - W4L11185**
1 3/8"x2 3/8"x37" (36x60x940)



(2) **K9 - WALL RAIL - W4L09096**
5/8"x5 1/4"x26 7/8" (16x134x682)

STEP 64





(1) **K8 - WALL RAIL - W4L09097**
5/8"x5 1/4"x27 1/8" (16x134x690)

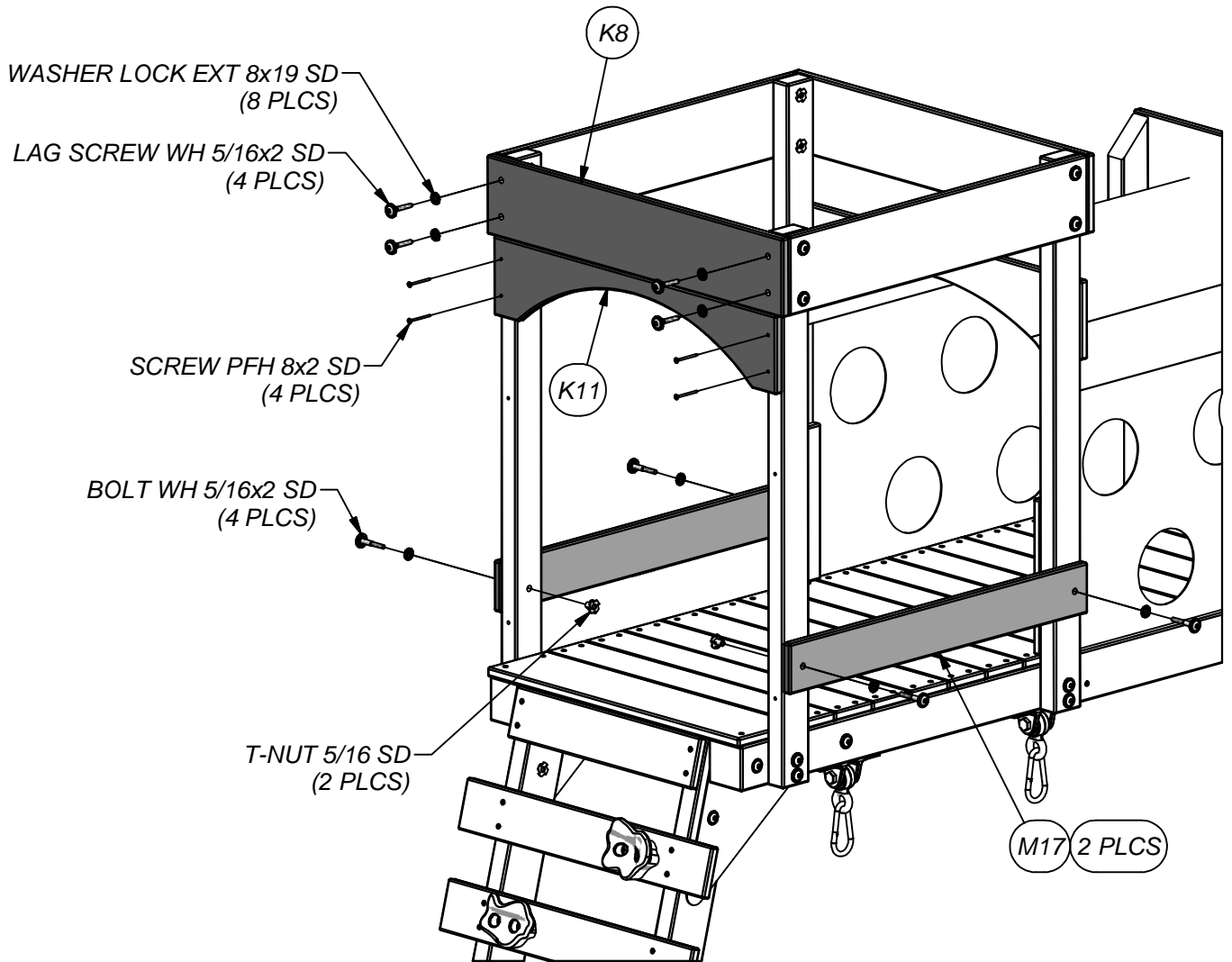
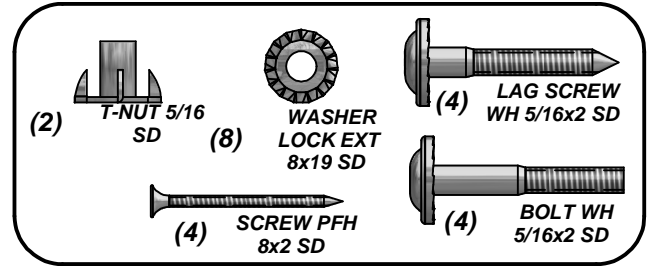


(1) **K11 - ARCHED RAIL - W4L09098**
5/8"x5 1/4"x25 7/8" (16x134x658)



(2) **M17 - WALL RAIL - W4L09095**
5/8"x3 3/8"x26 7/8" (16x86x682)

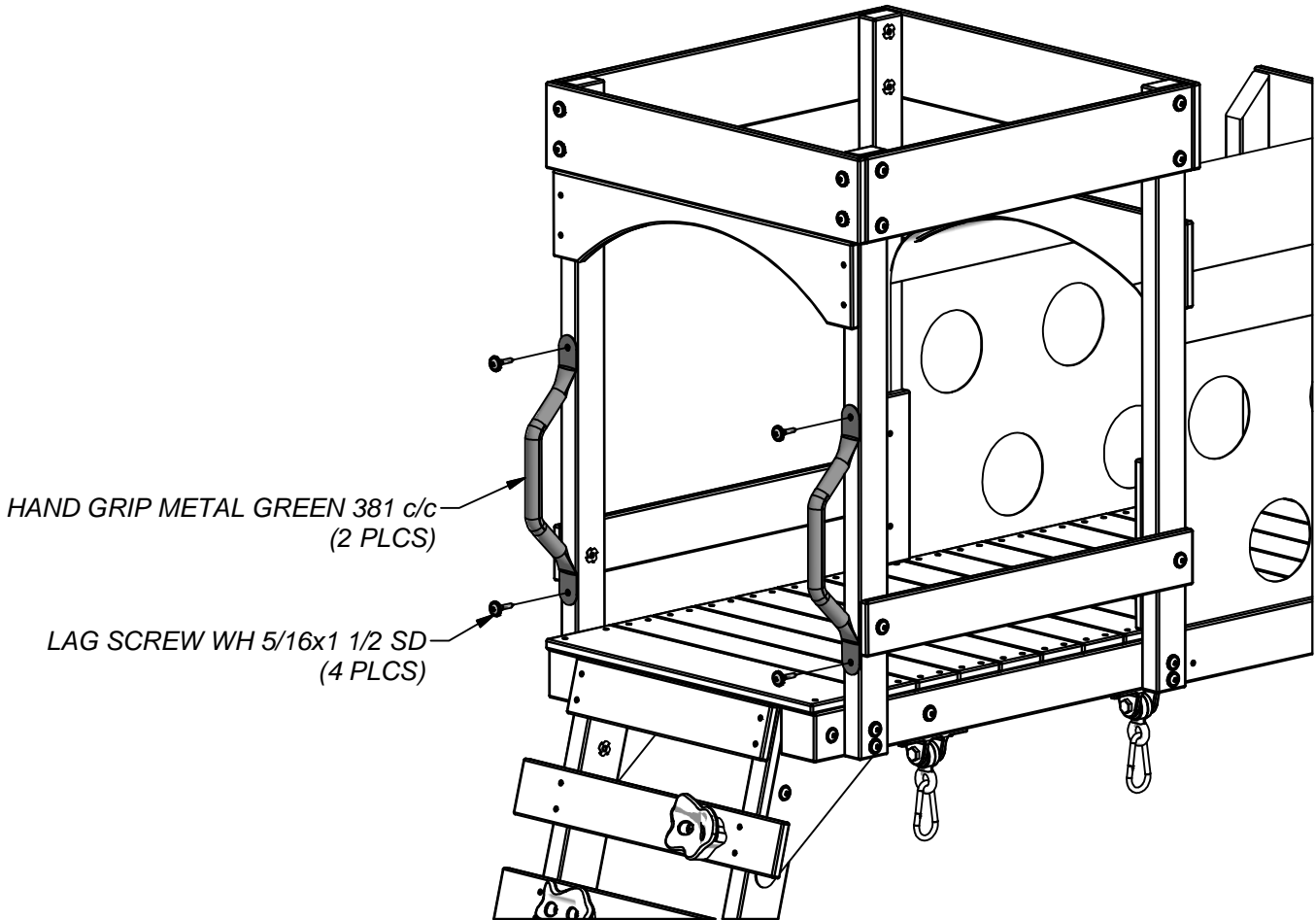
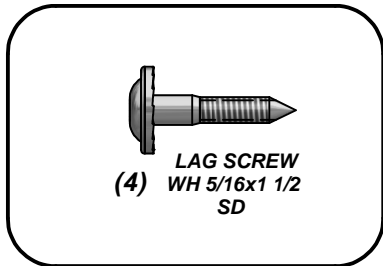
STEP 65





(2) FX - HAND GRIP METAL GREEN 381 c/c - A100118

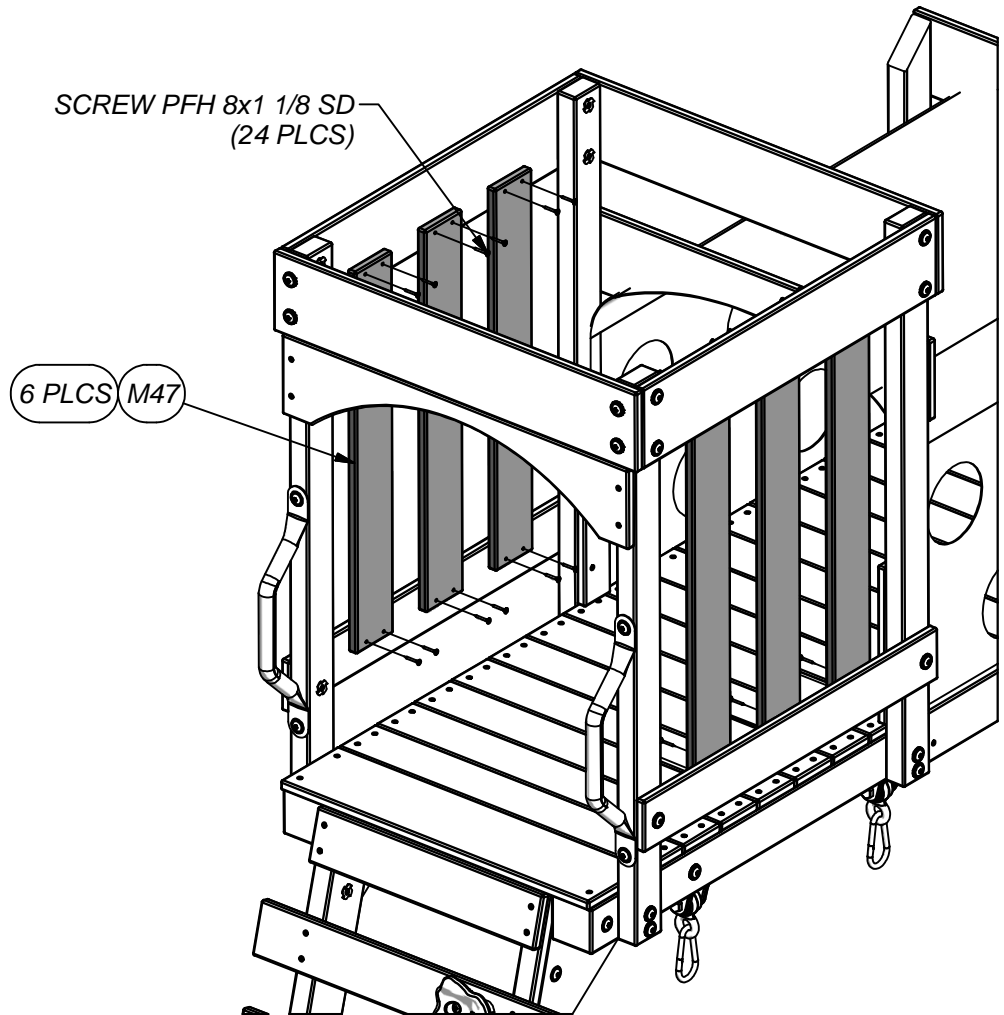
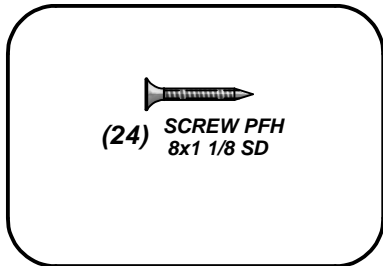
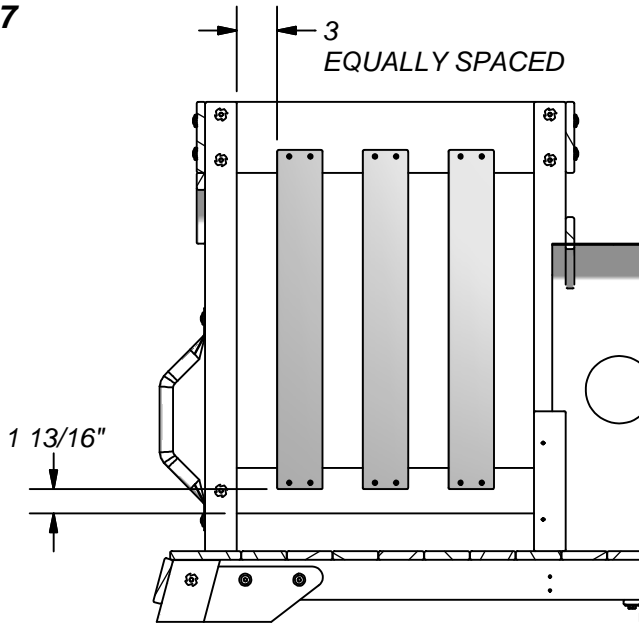
STEP 66





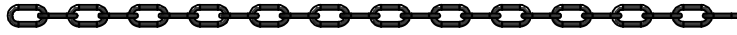
(6) M47 - PICKET - 51 - W4L11233
5/8"x3 3/8"x25 1/4" (16x86x640)

STEP 67





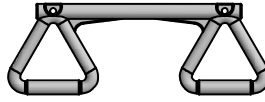
(4) EF - CHAIN GREEN 57" - A100047



(2) - CHAIN GREEN 31" - A100177



(2) - SWING SEAT GREEN 22IN - A6P00054

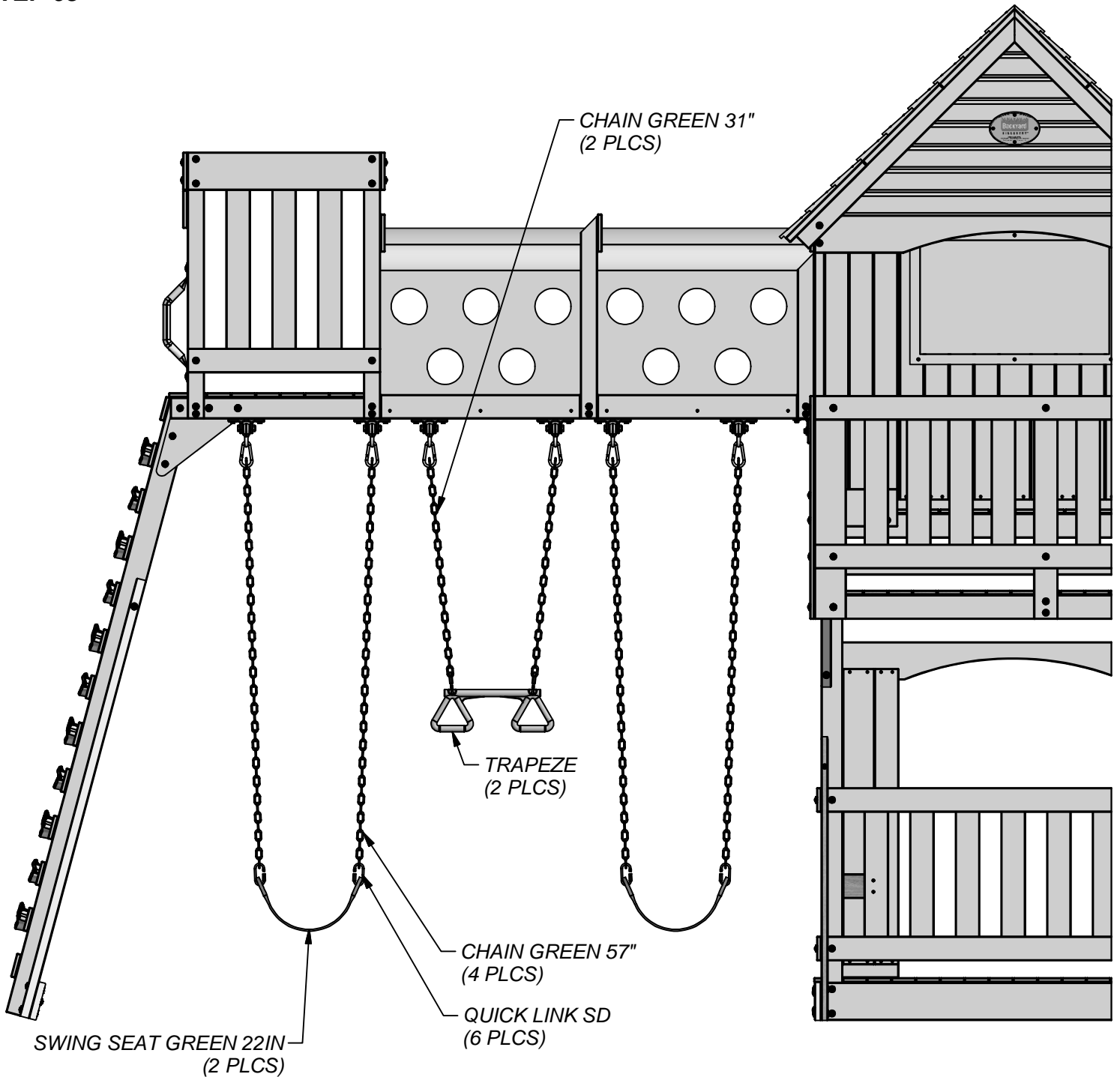


(1) - TRAPEZE - A6P00034



(6) - QUICK LINK SD - A4M00927

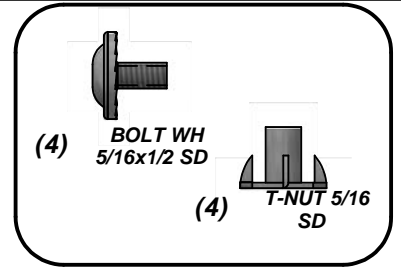
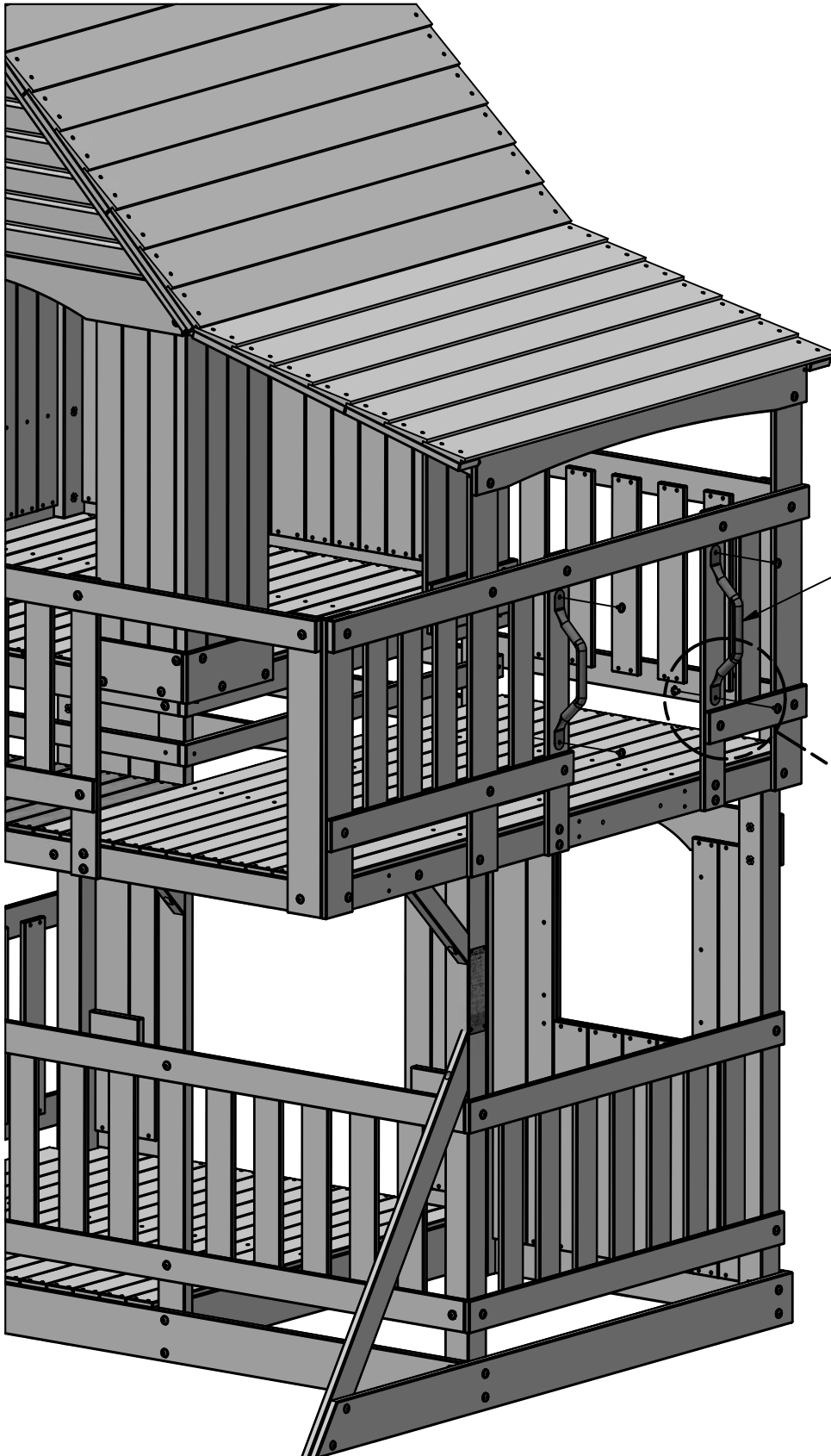
STEP 68



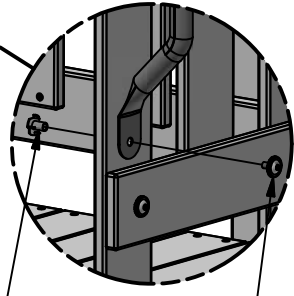


(2) - HAND GRIP METAL GREEN 381 c/c - A100118

STEP 69

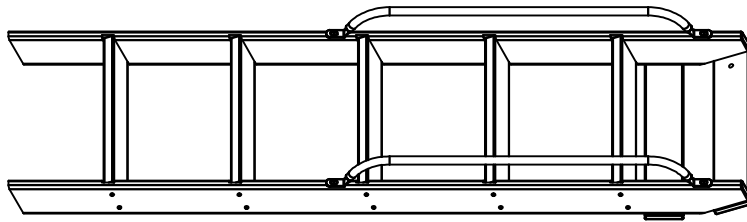


HAND GRIP METAL GREEN 381 c/c
(2 PLCS)



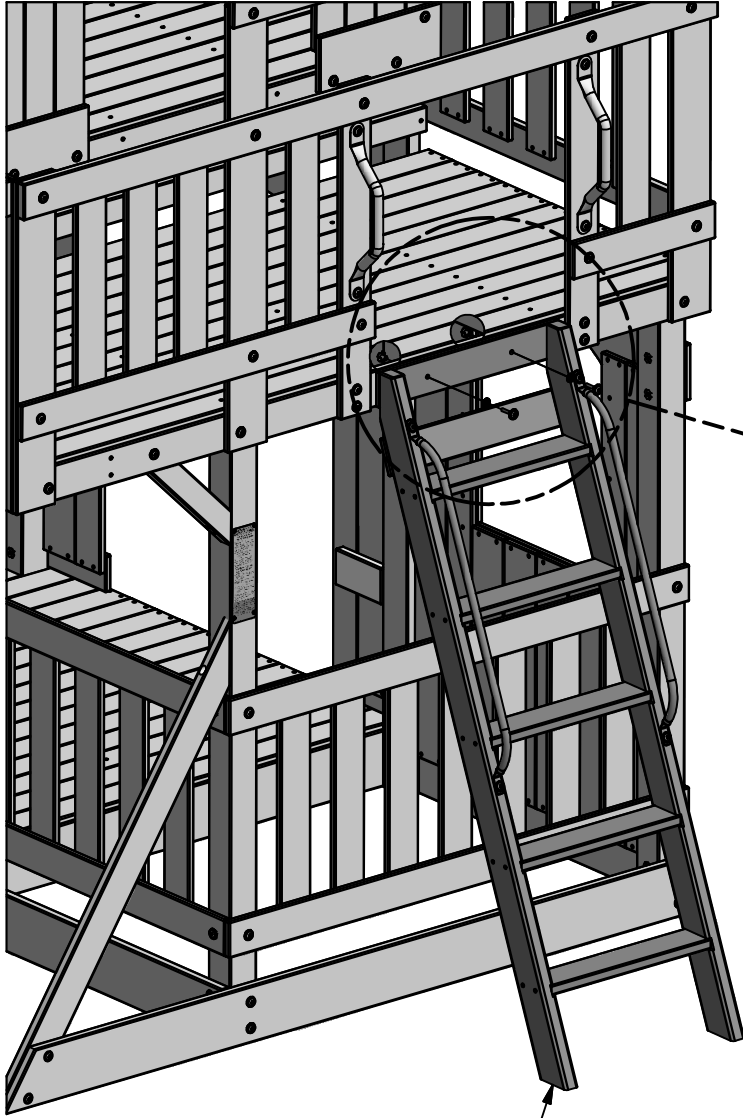
T-NUT 5/16 SD
(4 PLCS)

BOLT WH 5/16x1/2 SD
(4 PLCS)

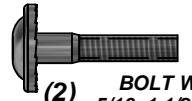
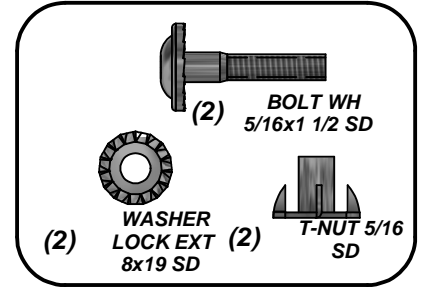


LADDER ASSEMBLY

STEP 70



LADDER ASSEMBLY



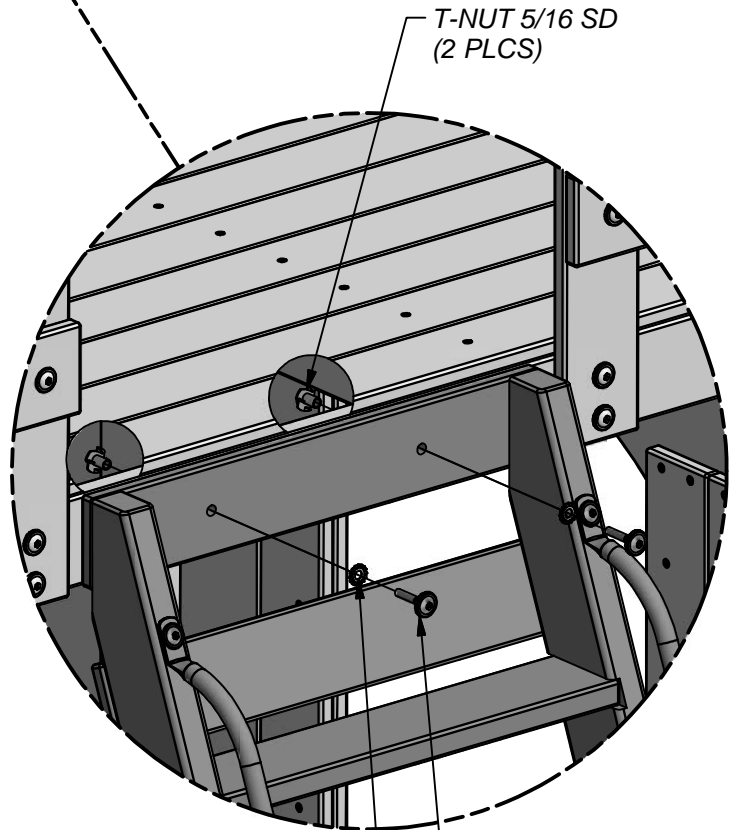
(2) BOLT WH 5/16x1 1/2 SD



(2) WASHER LOCK EXT 8x19 SD



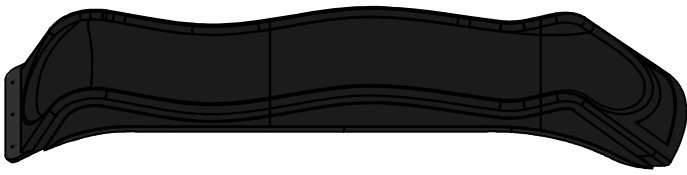
(2) T-NUT 5/16 SD



T-NUT 5/16 SD (2 PLCS)

BOLT WH 5/16x1 1/2 SD (2 PLCS)

WASHER LOCK EXT 8x19 SD (2 PLCS)

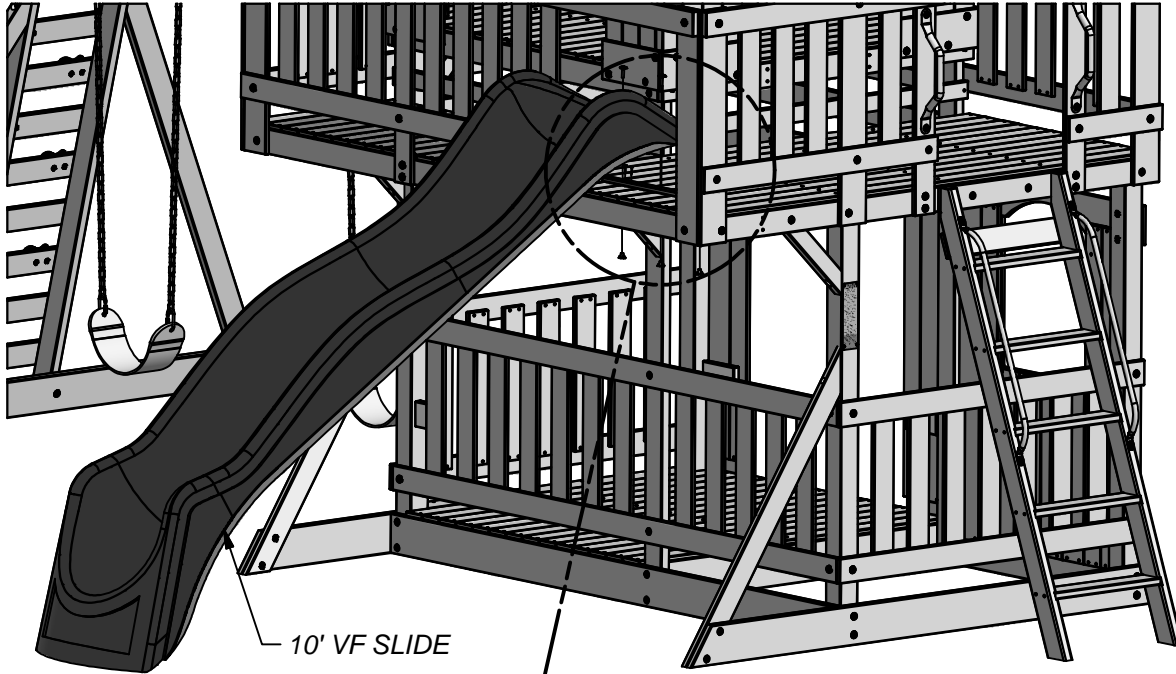


(1) SLIDE VF 10 FT - A100287 or A6P00539 or A6P00540

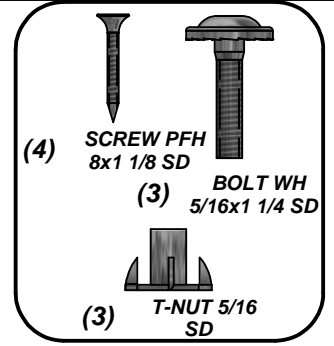


(1) O70 - SLIDE MOUNTING BOARD - W4L09040
5/8"x1 3/8"x20 3/8" (16x34x517)

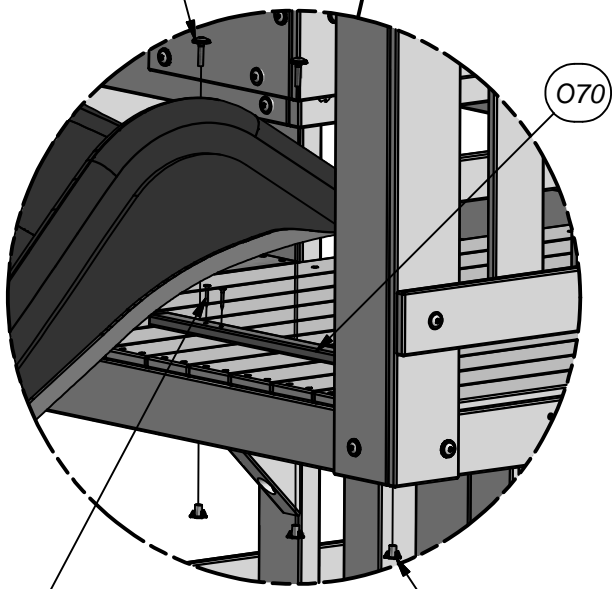
STEP 71



10' VF SLIDE

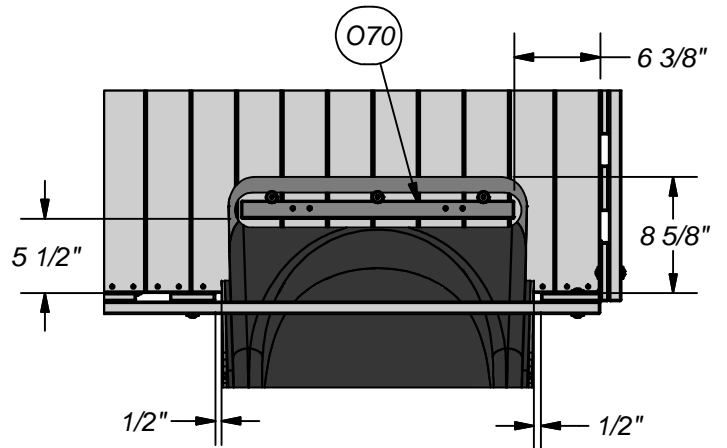


BOLT WH 5/16x1 1/4 SD
(3 PLCS)



SCREW PFH 8x1 1/8 SD
(4 PLCS)

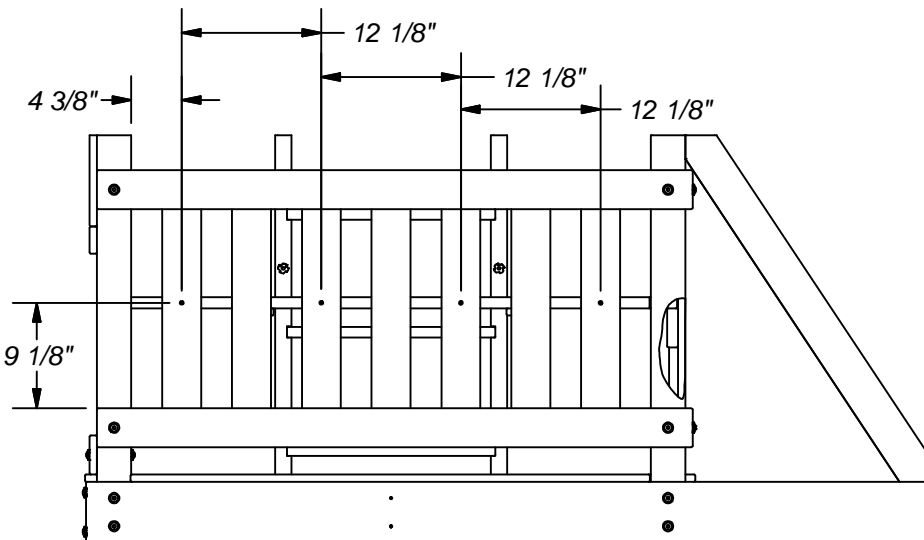
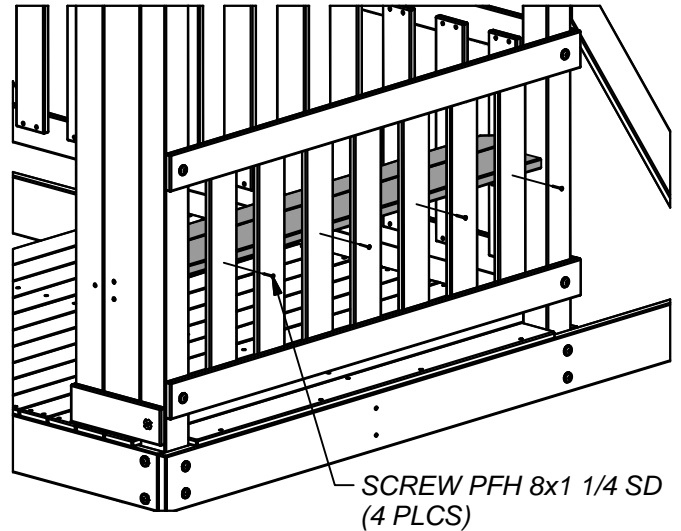
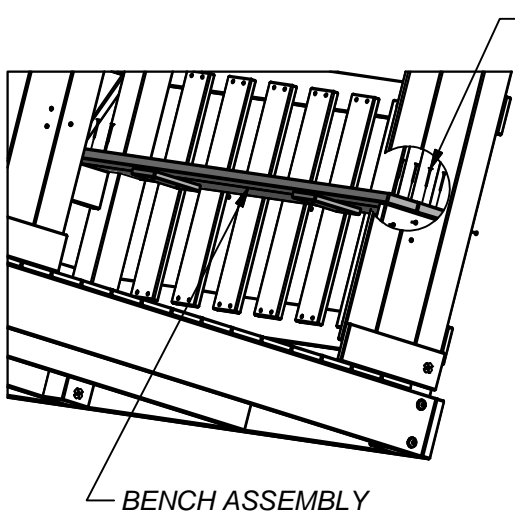
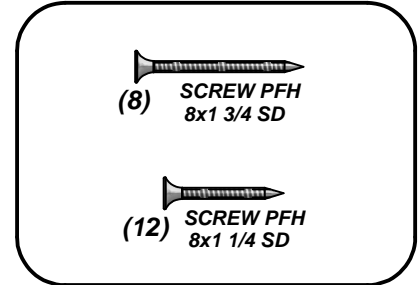
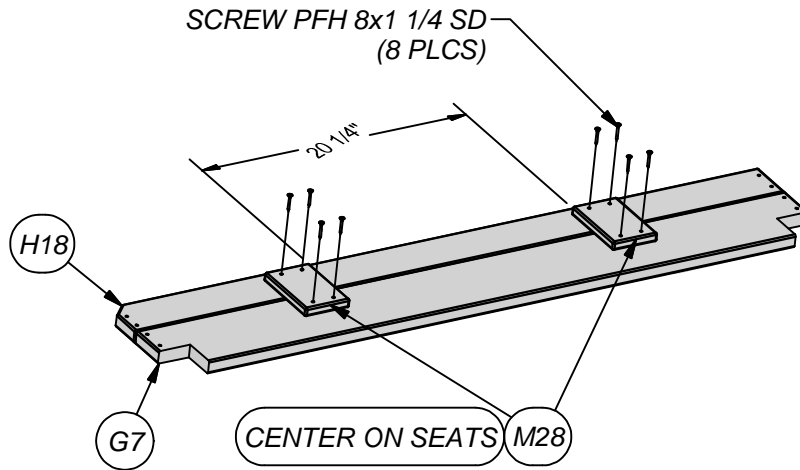
T-NUT 5/16 SD
(3 PLCS)



- (1) H18 - SEAT - W4L11195
1"x3 3/8"x49 7/8" (24x86x1266)
- (1) G7 - SEAT - W4L11189
1"x5 1/4"x49 7/8" (24x134x1266)

- (2) M28 - CLEAT - W4L11232
5/8"x3 3/8"x5 1/4" (16x86x132)

STEP 72

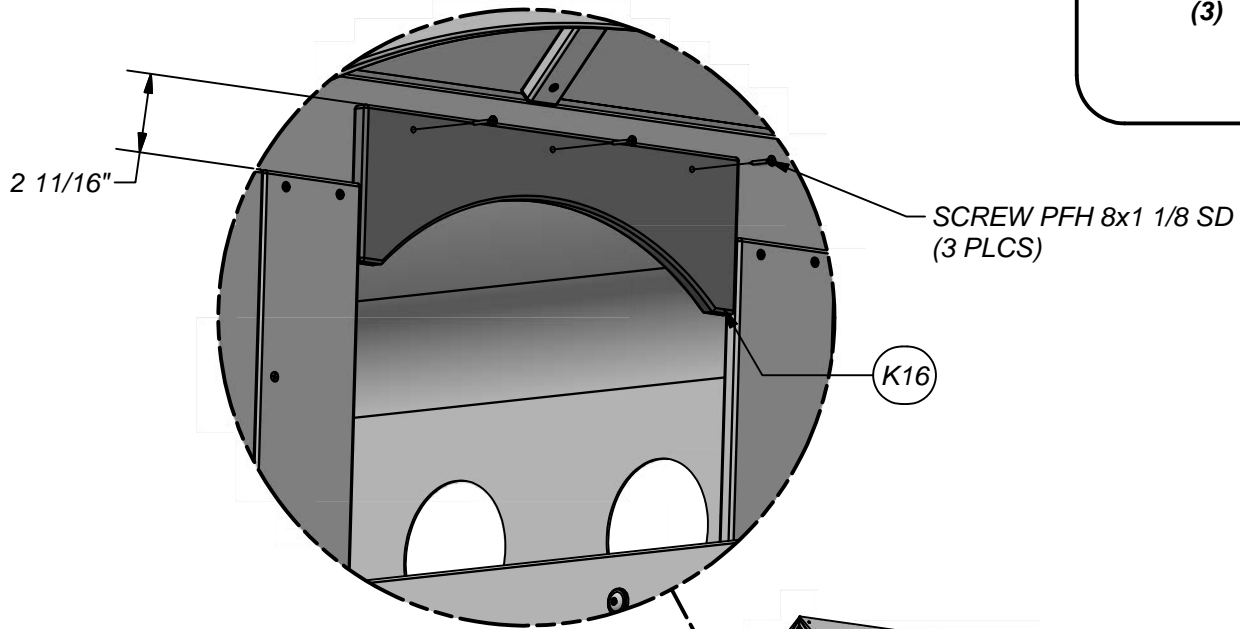
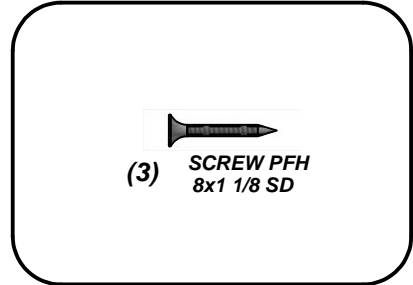


NOTE:
PRE-DRILL 3/16" (5mm)
FOR ALL SCREWS
THIS STEP



(1) **K16 - SAFETY RAIL - W4L11199**
5/8"x5 1/4"x16 7/8" (16x134x430)

STEP 73



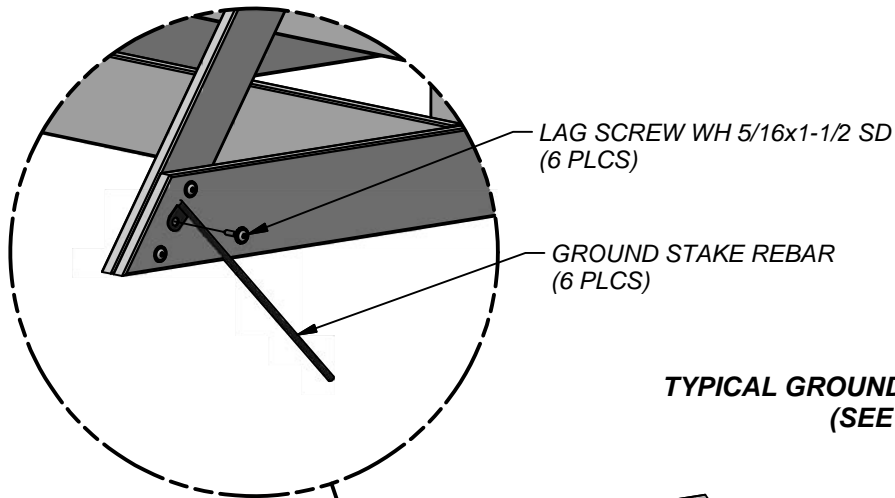
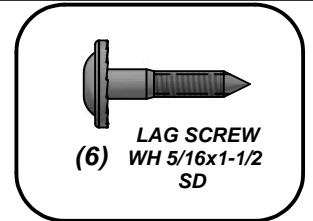


(6) - GROUND STAKE REBAR - A4M00527

STEP 74

NOTE:

FAILURE TO USE GROUND STAKES CAN VOID WARRANTY AND CAUSE INJURY!



TYPICAL GROUND STAKE PLACEMENT (SEE BELOW)



FINAL STEP

DOUBLE CHECK EVERY BOLT, SCREW AND NUT FOR TIGHTNESS. MAKE SURE EVERY BOARD IS SECURE AND MAKE SURE THE PLAYSET IS LEVEL.

ENJOY YOUR NEW PLAYSET!