



Manufactured by:
Backyard Discovery
3305 Airport Drive, Pittsburg, KS 66762
800-856-4445

Basepoint Business Centre: Rivermead Drive, Westlea, Swindon SN5 7EX Phone: 0800-118-2476

J.P. Coenstraat 7, The Bridge, The Hague, 2595 WP, Netherlands Phone: 08005678990

MOUNT TRIUMPH

SWING SET

MODEL: # 1701014



WARNING

Adult Assembly Required.

The assembly manual must be retained since it contains important information
Not suitable for children under 36 months due to small parts.

FOR DOMESTIC USE ONLY. INTENDED FOR OUTDOOR USE.



Please visit www.backyarddiscovery.com

For the most up to date assembly manual, to register your product, or to order replacement parts

Para obtener instrucciones en español, visite www.backyarddiscovery.com



**EASY STEP-BY-STEP
3D INTERACTIVE INSTRUCTIONS**
DOWNLOAD THE FREE APP



Made in China

INS-1701014-A-MOUNT TRIUMPH SWING SET-ENG 8-23-23

Basic Setup Dimensions

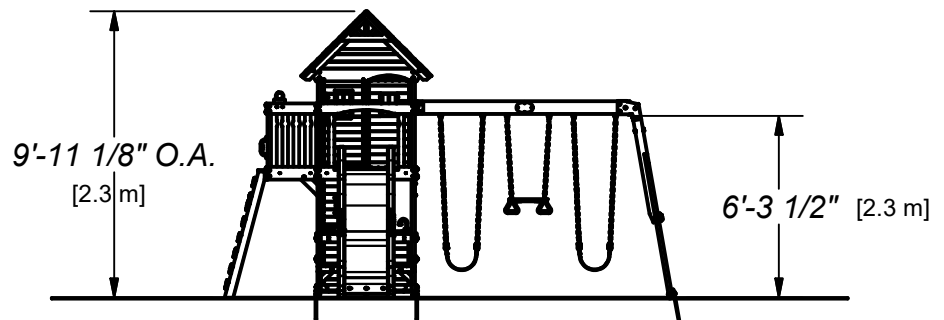
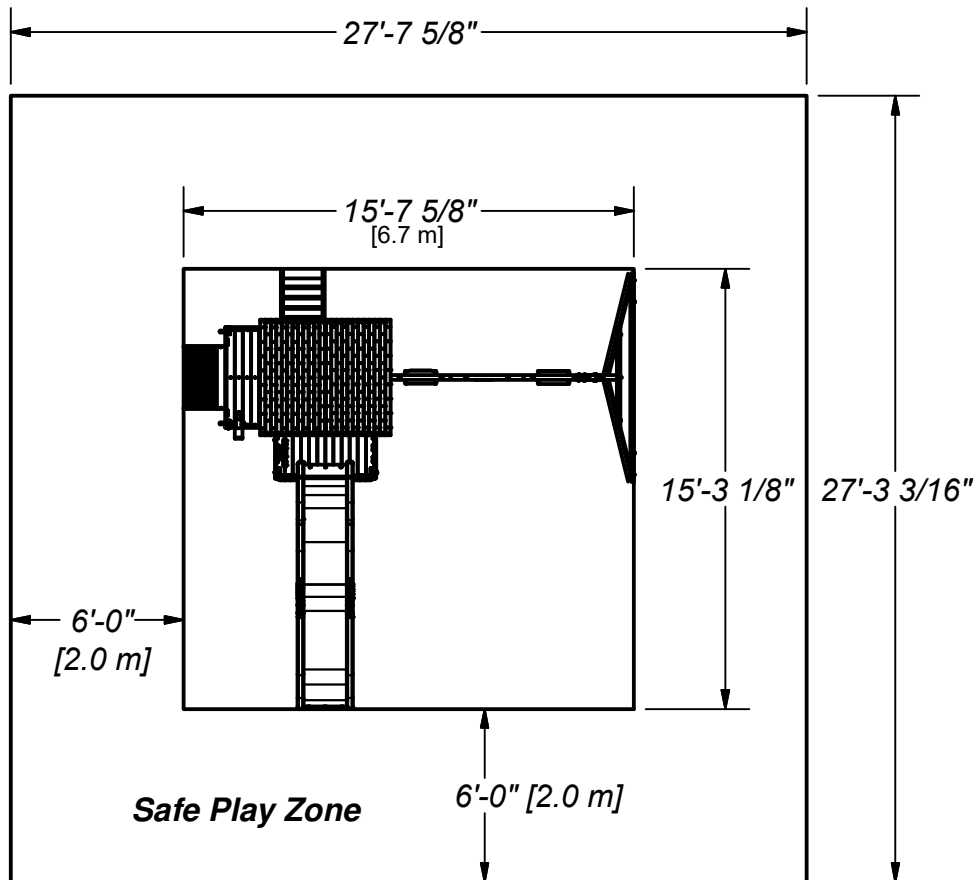
Place the set on level ground, not less than 6'-7" [2 m] from any structure or obstruction such as a fence, garage, house, overhanging branches, laundry lines, or electrical wires.

General Information:

Your set has been designed and engineered for children only and for residential use only. A maximum of 150 lbs. per child is recommended for play activities designed for individual use.

A maximum of 120 lbs. per child is recommended for play activities designed for multiple child use.

A maximum of 9 children is recommended for this swing set.



Important Assembly Notes

Safe play height: 15'-11 1/8" [4.7 m]
Maximum fall height: 6'-3 1/2" [1.8 m]

- 1) While assembling unit, take time before and after each phase to make sure fort is level. If fort is not level, assembly will be difficult and improper assembly may result. Extra care must be taken to ensure the fort is square.
- 2) Tighten bolts securely, tighten nuts on bolts flush to the tube or member.
- 3) Pay close attention to the ITEMS NEEDED FOR EACH PHASE. They can be a valuable aid when sorting your wood and hardware. Assembly will be made easier if items are sorted by phase.
- 4) Pay close attention to make sure you are using the correct hardware in the correct phases. Using incorrect hardware may result in improper assembly.
- 5) Whenever a T-nut is used, follow these directions. Place T-nut in pre-drilled hole. Tap in with hammer. Place bolt with washers in the opposite side. Hand tighten to make sure the bolt is in the T-nut. DO NOT over tighten.
- 6) Read the steps of each phase thoroughly. The written steps may include important information not shown in the illustrations.

Parts Identification

Wood Components

(NOT TO SCALE)



(1) **E1 - RIGHT REAR UPRIGHT - W2A02080**
1 3/8"x3 3/8"x51 3/4" (36x86x1314)



(1) **E2 - LEFT REAR UPRIGHT - W4L07493**
1 3/8"x3 3/8"x51 3/4" (36x86x1314)



(1) **E3 - LEFT FRONT UPRIGHT - W4L07494**
1 3/8"x3 3/8"x51 3/4" (36x86x1314)



(1) **E4 - RIGHT FRONT UPRIGHT - W4L07495**
1 3/8"x3 3/8"x51 3/4" (36x86x1314)



(1) **E5 - RIGHT FRONT BALCONY UPRIGHT - W4L07502**
1 3/8"x3 3/8"x80 3/4" (36x86x2052)



(1) **E6 - LEFT REAR UPRIGHT - W4L07509**
1 3/8"x3 3/8"x43 1/2" (36x86x1104)



(1) **E7 - RIGHT REAR UPRIGHT - W4L07510**
1 3/8"x3 3/8"x43 1/2" (36x86x1104)



(1) **E8 - LEFT FRONT UPRIGHT - W4L07511**
1 3/8"x3 3/8"x43 1/2" (36x86x1104)



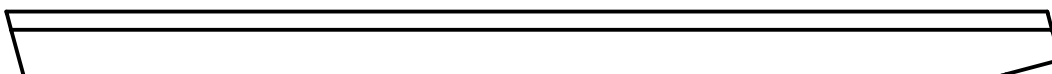
(1) **E9 - RIGHT FRONT UPRIGHT - W4L07512**
1 3/8"x3 3/8"x43 1/2" (36x86x1104)



(2) **E10 - MOUNTING BLOCK - W4L07615**
1 3/8"x3"x4 3/4" (36x76x120)



(1) **E11 - RIGHT FRONT BALCONY UPRIGHT - W4L07673**
1 3/8"x3 3/8"x80 3/4" (36x86x2052)

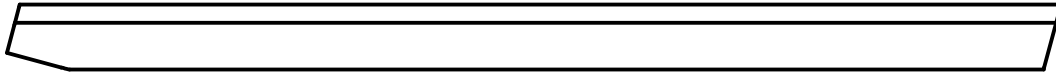


(1) **E72 - LEFT RAIL - W4L07622**
1 3/8"x3 3/8"x54 7/8" (36x86x1395)

Parts Identification

Wood Components

(NOT TO SCALE)



(1) **E73 - RIGHT RAIL - W4L07623**
1 3/8"x3 3/8"x54 7/8" (36x86x1395)



(2) **E77 - ANGLE BRACE - W4L07631**
1 3/8"x3 3/8"x74 3/8" (36x86x1890)



(1) **F1 - RIGHT BALCONY UPRIGHT - W4L07506**
1 3/8"x2 3/8"x31 3/4" (36x60x805)



(1) **F2 - LEFT BALCONY UPRIGHT - W4L07507**
1 3/8"x2 3/8"x31 3/4" (36x60x805)



(1) **F3 - SUPPORT BLOCK - W4L07604**
1 3/8"x2 3/8"x5 7/8" (36x60x148)



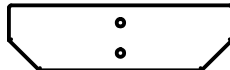
(1) **F4 - SUPPORT BLOCK - W4L07614**
1 3/8"x2 3/8"x5 7/8" (36x60x148)



(1) **G1 - SWING BEAM MOUNT - W4L07513**
1"x5 1/4"x62 1/8" (24x134x1577)



(1) **H1 - TABLE SUPPORT - W4L07583**
1"x3 3/8"x22 3/8" (24x86x567)



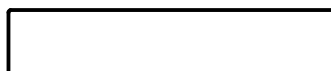
(1) **H2 - TABLE SUPPORT - W4L07584**
1"x3 3/8"x11 5/8" (24x86x295)



(1) **H3 - TABLE SUPPORT - W4L07585**
1"x3 3/8"x11 5/8" (24x86x295)



(4) **H4 - DECK BRACE - W4L07616**
1"x3 3/8"x12 3/4" (24x86x325)



(4) **H76 - LADDER RUNG - W4L07620**
1"x3 3/8"x17 1/4" (24x86x437)

Parts Identification

Wood Components

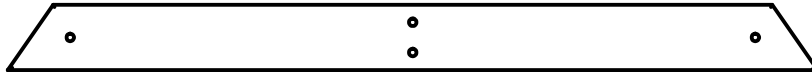
(NOT TO SCALE)



- (1) **H77 - LEFT UPRIGHT - W4L07617**
1"x3 3/8"x58" (24x86x1474)



- (1) **H78 - RIGHT UPRIGHT - W4L07618**
1"x3 3/8"x58" (24x86x1474)



- (1) **H79 - END SUPPORT - W4L07632**
1"x3 1/2"x42" (24x86x1072)



- (1) **H80 - GROUND BOARD - W4L07630**
1"x3 3/8"x87 3/8" (24x86x2218)



- (1) **J1 - PORCH GROUND BOARD - W4L07504**
1"x2 3/8"x40 1/2" (24x60x1030)



- (1) **J2 - PORCH GROUND BOARD - W4L07505**
1"x2 3/8"x40 5/8" (24x60x1032)



- (2) **J3 - BENCH SUPPORT - W4L07586**
1"x2 3/8"x9" (24x60x230)



- (2) **J4 - ANGLE BRACE - W4L07587**
1"x2 3/8"x10" (24x60x254)



- (2) **J5 - SUPPORT BLOCK - W4L07588**
1"x2 3/8"x2 7/8" (24x60x72)



- (2) **J6 - SUPPORT BLOCK - W4L07589**
1"x2 3/8"x6 1/4" (24x60x160)



- (1) **J7 - SUPPORT BLOCK - W4L07595**
1"x2 3/8"x3 3/8" (24x60x86)

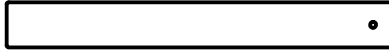


- (1) **J8 - FLOOR JOIST - W4L07602**
1"x2 3/8"x40 1/2" (24x60x1029)

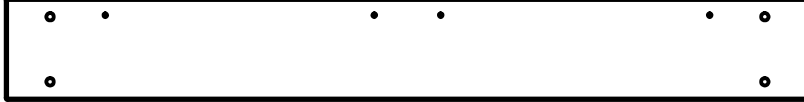
Parts Identification

Wood Components

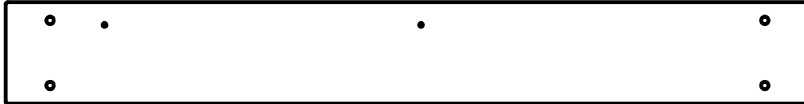
(NOT TO SCALE)



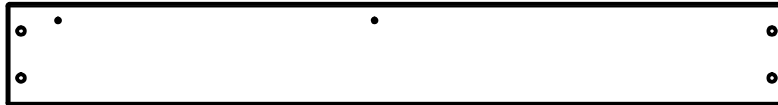
(1) **J9 - FLOOR JOIST - W4L07603**
1"x2 3/8"x20 1/4" (24x60x513)



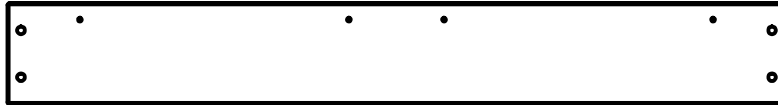
(1) **K1 - GROUND BOARD - W4L07489**
5/8"x5 1/4"x41 7/8" (16x134x1064)



(1) **K2 - GROUND BOARD - W4L07490**
5/8"x5 1/4"x41 7/8" (16x134x1064)



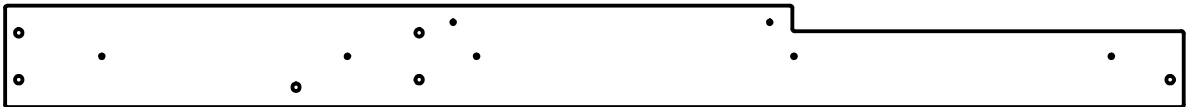
(1) **K3 - GROUND BOARD - W4L07491**
5/8"x5 1/4"x40 1/2" (16x134x1030)



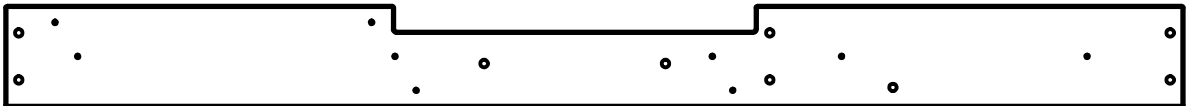
(1) **K4 - GROUND BOARD - W4L07492**
5/8"x5 1/4"x40 1/2" (16x134x1030)



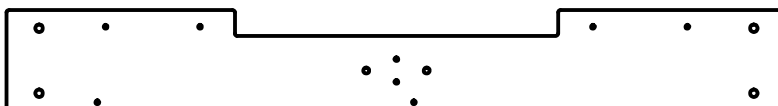
(1) **K5 - RIGHT CENTER WALL RAIL - W4L07496**
5/8"x5 1/4"x62 3/4" (16x134x1593)



(1) **K6 - FRONT CENTER WALL RAIL - W4L07497**
5/8"x5 1/4"x61 3/8" (16x134x1560)



(1) **K7 - REAR CENTER WALL RAIL - W4L07498**
5/8"x5 1/4"x61 3/8" (16x134x1560)



(1) **K8 - LEFT CENTER WALL RAIL - W4L07499**
5/8"x5 1/4"x40 5/8" (16x134x1032)

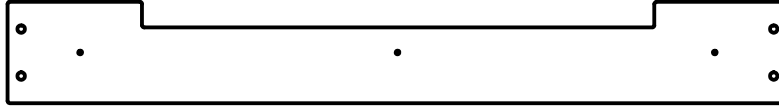
Parts Identification

Wood Components

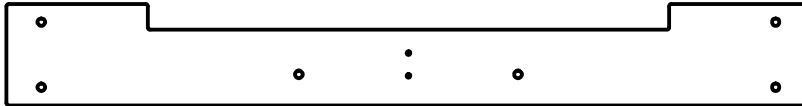
(NOT TO SCALE)



(1) **K9 - LEFT BALCONY WALL RAIL - W4L07500**
5/8"x5 1/4"x20 3/4" (16x134x528)



(1) **K10 - FRONT BALCONY WALL RAIL - W4L07501**
5/8"x5 1/4"x40 5/8" (16x134x1032)



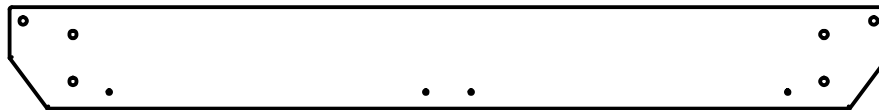
(1) **K11 - LEFT SIDE WALL BOARD - W4L07508**
5/8"x5 1/4"x41 7/8" (16x134x1064)



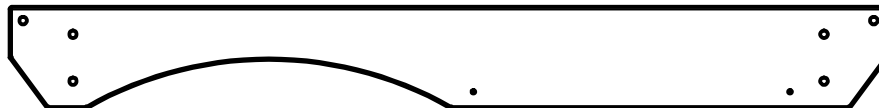
(1) **K12 - ARCHED WALL RAIL - W4L07579**
5/8"x5 1/4"x40 5/8" (16x134x1032)



(1) **K13 - ARCHED WALL RAIL - W4L07580**
5/8"x5 1/4"x40 5/8" (16x134x1032)



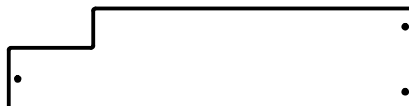
(1) **K14 - ANGLED WALL RAIL - W4L07581**
5/8"x5 1/4"x45 3/4" (16x134x1162)



(1) **K15 - ANGLED WALL RAIL - W4L07582**
5/8"x5 1/4"x45 3/4" (16x134x1162)



(1) **K16 - TABLE BOARD - W4L07594**
5/8"x5 1/4"x23" (16x134x583)



(2) **K17 - FLOOR BOARD - W4L07596**
5/8"x5 1/4"x21 1/8" (16x134x537)

Parts Identification

Wood Components

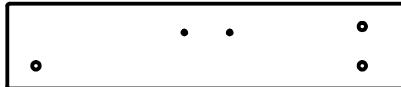
(NOT TO SCALE)



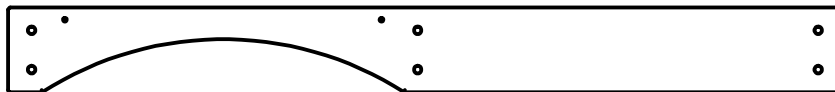
- (1) **L1 - ARCHED WALL RAIL - W4L07514**
5/8"x4 3/8"x40 5/8" (16x112x1032)



- (1) **L2 - WALL RAIL - W4L07515**
5/8"x4 3/8"x22 7/8" (16x112x582)



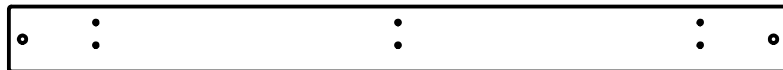
- (1) **L3 - WALL RAIL - W4L07576**
5/8"x4 3/8"x20 7/8" (16x112x529)



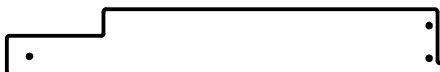
- (1) **L4 - ARCHED WALL RAIL - W4L07577**
5/8"x4 3/8"x43 1/2" (16x112x1106)



- (1) **L5 - ARCHED WALL RAIL - W4L07578**
5/8"x4 3/8"x40 5/8" (16x112x1032)



- (1) **M1 - WALL RAIL - W4L07590**
5/8"x3 3/8"x40 1/2" (16x86x1030)



- (2) **M2 - BENCH BOARD - W4L07591**
5/8"x3 3/8"x23" (16x86x583)



- (4) **M3 - TABLE BOARD - W4L07593**
5/8"x3 3/8"x23" (16x86x583)



- (8) **M4 - FLOOR BOARD - W4L07597**
5/8"x3 3/8"x21 1/8" (16x86x537)



- (1) **M5 - FLOOR BOARD - W4L07598**
5/8"x3 3/8"x19 1/4" (16x86x488)

Parts Identification

Wood Components

(NOT TO SCALE)



(1) **M6 - COUNTER TOP - W4L07605**
5/8"x3 3/8"x37 5/8" (16x86x957)



(1) **M7 - COUNTER TOP - W4L07606**
5/8"x3 3/8"x38 5/8" (16x86x981)



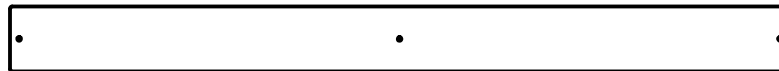
(1) **M8 - FLOOR BOARD - W4L07607**
5/8"x3 3/8"x20 1/8" (16x86x512)



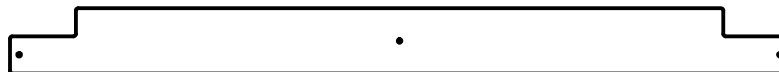
(10) **M9 - FLOOR BOARD - W4L07608**
5/8"x3 3/8"x20 1/8" (16x86x512)



(1) **M10 - FLOOR BOARD - W4L07609**
5/8"x3 3/8"x40 5/8" (16x86x1031)



(15) **M11 - FLOOR BOARD - W4L07610**
5/8"x3 3/8"x40 5/8" (16x86x1031)



(2) **M12 - FLOOR BOARD - W4L07611**
5/8"x3 3/8"x40 5/8" (16x86x1031)



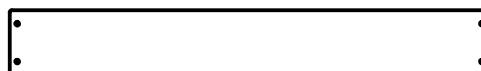
(1) **M13 - FLOOR BOARD - W4L07671**
5/8"x3 3/8"x20 1/8" (16x86x512)



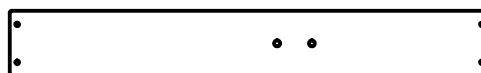
(1) **M70 - SLIDE BED SUPPORT - W100935**
5/8"x3 3/8"x19 7/8" (16x86x505)



(1) **M73 - REAR SUPPORT - W4L07619**
5/8"x3 3/8"x18 1/4" (16x86x465)



(8) **M74 - ROCK WALL BOARD - W4L07624**
5/8"x3 3/8"x25" (16x86x635)



(4) **M75 - ROCK WALL BOARD - W4L07627**
5/8"x3 3/8"x25" (16x86x635)

Parts Identification

Wood Components

(NOT TO SCALE)



- (4) **M76 - ROCK WALL BOARD - W4L07626**
5/8"x3 3/8"x25" (16x86x635)



- (1) **M102 - ATTACHMENT BOARD - W4L07628**
5/8"x3 3/8"x26 1/4" (16x86x667)



- (1) **M108 - TOP BOARD - W4L07625**
5/8"x3 3/8"x26 1/4" (16x86x667)



- (1) **M110 - ATTACHMENT BOARD - W4L07621**
5/8"x3 3/8"x18 1/4" (16x86x465)



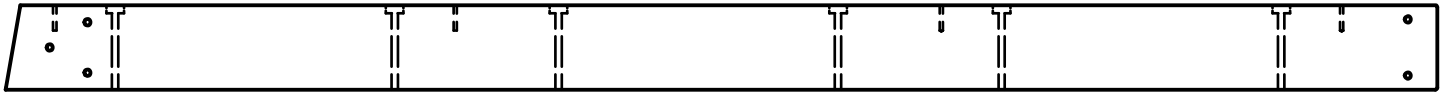
- (2) **N1 - PORCH GROUND BOARD - W4L07503**
5/8"x2 3/8"x21 1/8" (16x60x537)



- (18) **N2 - PICKET - W4L07612**
5/8"x2 3/8"x24 3/4" (16x60x628)



- (2) **N3 - BENCH BOARD - W4L07592**
5/8"x2 3/8"x23" (16x60x583)



- (1) **SB74 - SWING BEAM EXTENDED - W4L07633**
2"x5 1/4"x89 1/2" (50x134x2274)



- (3) **T1 - SUPPORT BOARD - W4L07599**
1"x1 3/8"x37 5/8" (24x34x957)



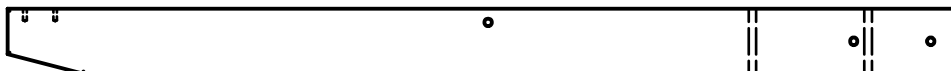
- (1) **T2 - SUPPORT BOARD - W4L07600**
1"x1 3/8"x37 3/4" (24x34x959)



- (2) **T3 - SUPPORT BOARD - W4L07601**
1"x1 3/8"x18 3/4" (24x34x477)



- (1) **T4 - SUPPORT BOARD - W4L07613**
1"x1 3/8"x37 3/4" (24x34x958)

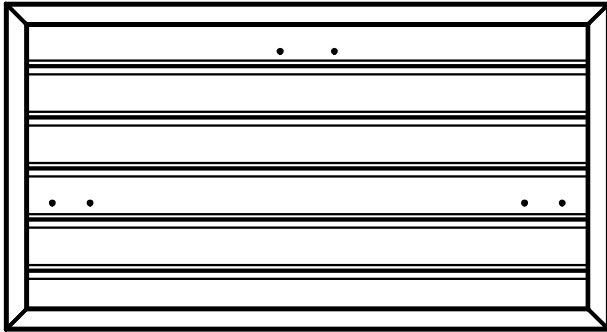


- (1) **W71 - SWING BEAM SUPPORT - W4L07629**
2"x3 3/8"x49 5/8" (50x86x1260)

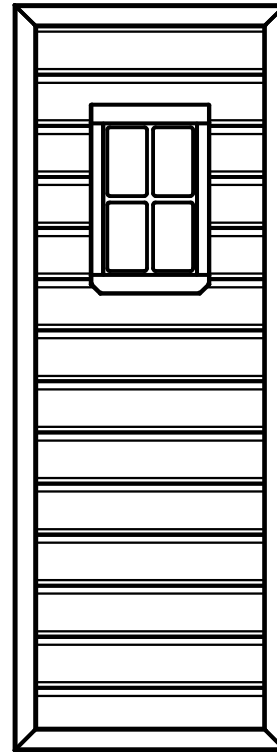
Parts Identification

Wood Components

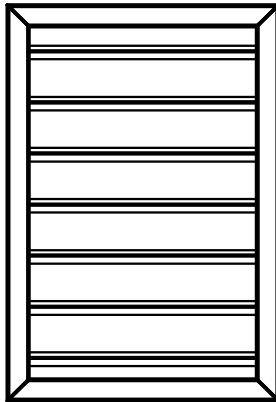
(NOT TO SCALE)



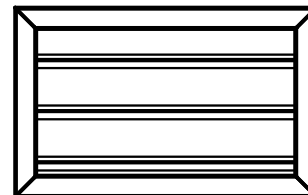
(1) WP1 - FRONT WALL PANEL - W2A02082
1"x20 3/8"x37 3/4" (24x517x958)



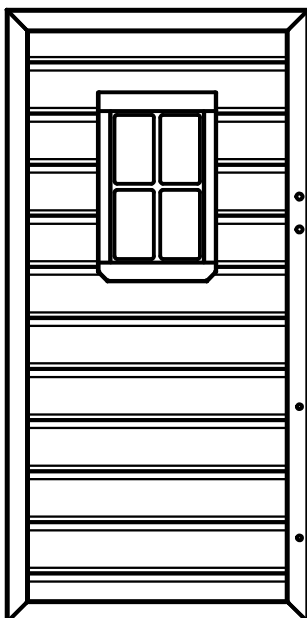
(2) WP2 - RIGHT LOWER WALL PANEL - W2A02083
1"x16 7/8"x46 1/2" (24x430x1181)



(2) WP3 - TOP RIGHT FRONT WALL PANEL - W2A02084
1"x16 7/8"x24 5/8" (24x430x627)



(1) WP6 - TOP REAR WALL PANEL - W2A02087
1"x18 7/8"x11 3/4" (24x479x300)

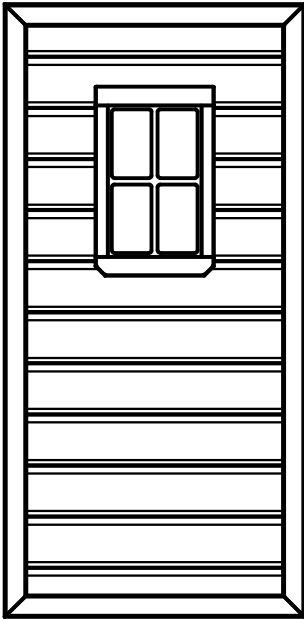


(1) WP5 - TOP LEFT REAR WALL PANEL - W2A02086
1"x16 7/8"x46 1/2" (24x430x971)

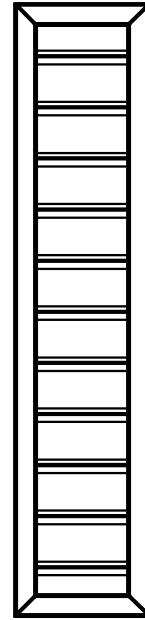
Parts Identification

Wood Components

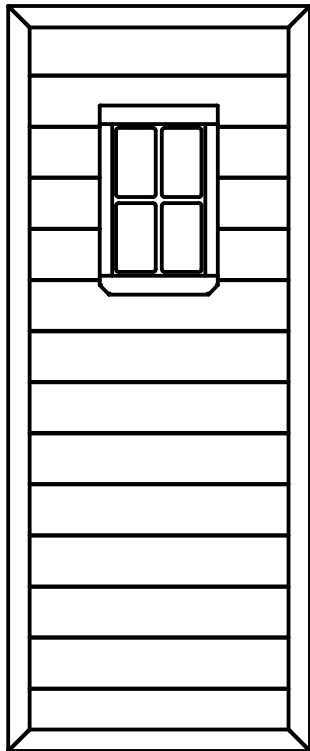
(NOT TO SCALE)



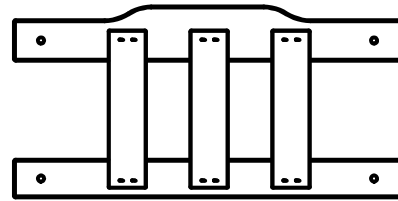
(1) WP7 - TOP FRONT WALL PANEL - W2A02088
1"x16 7/8"x38 1/4" (24x476x971)



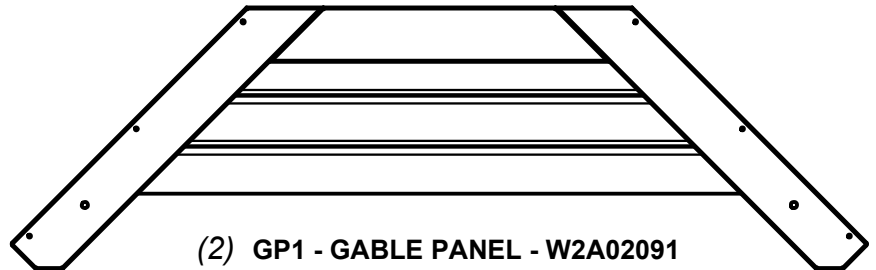
(2) WP8 - TOP LEFT WALL PANEL - W2A02089
1"x11 3/4"x38 1/4" (24x214x971)



(2) WP9 - LOWER WALL PANEL - W2A02090
1"x16 7/8"x46 1/2" (24x476x1181)



(2) WP10 - BENCH BACK ASSEMBLY - W2A02081
1 1/8"x11 7/8"x17 5/8" (27x303x615)

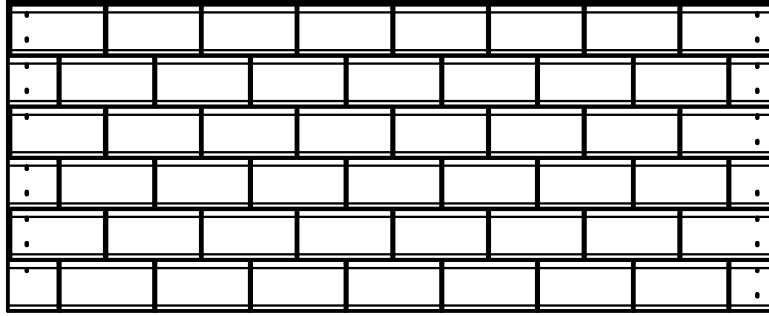


(2) GP1 - GABLE PANEL - W2A02091
1 1/8"x53 1/2"x16 3/8" (27x1359x414)

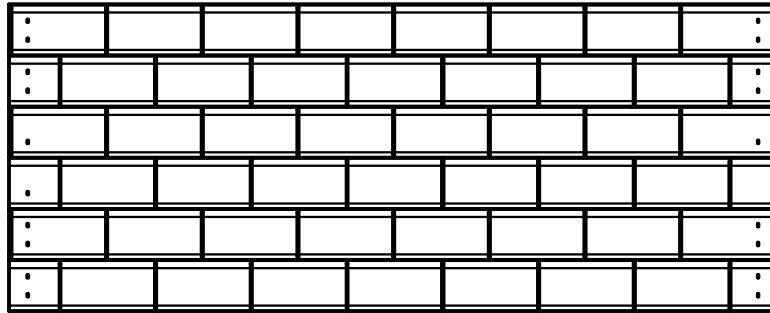
Parts Identification

Wood Components

(NOT TO SCALE)



(2) RP1 - BOTTOM ROOF PANEL - W2A02092
1 3/8"x48"x19 3/8" (35x1220x491)



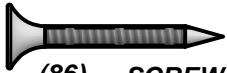
(2) RP2 - TOP ROOF PANEL - W2A02093
1 3/8"x48"x19 1/8" (35x1220x486)

Parts Identification

Hardware



(4) - SCREW PFH 8x1/2 - H100124



(86) - SCREW PFH 8x1-1/8" - H100088



(2) - SCREW PFH 8x1-1/4" - H100087



(245) - SCREW PFH 8x1-1/2" - H100086



(13) - SCREW PFH 8x1-3/4" - H100089



(41) - SCREW PFH 8x 2 1/2 - H100090



(4) - SCREW PFH 8x1/2 BLK - H100203



(71) - SCREW PFH 8x1-1/4 BLK - H100387



(17) - SCREW PFH 8x1-1/2 BLK - H100200



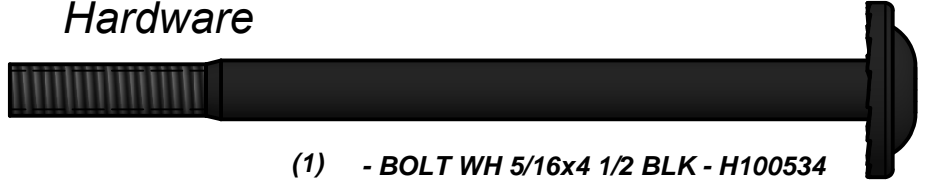
(4) - SCREW PFH 8x1 3/4 BLK - H100382



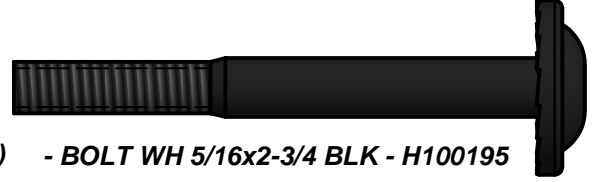
(24) - SCREW PFH 8x2 BLK - H100391



(22) - SCREW PWH 8x5/8 - H100128



(1) - BOLT WH 5/16x4 1/2 BLK - H100534



(3) - BOLT WH 5/16x2-3/4 BLK - H100195



(2) - BOLT WH 5/16x2-1/2 BLK - H100194



(7) - BOLT WH 5/16x2-1/4 BLK - H100205



(52) - BOLT WH 5/16x2 BLK - H100457



(10) - BOLT WH 5/16x1 3/4 BLK - H100378



(7) - BOLT WH 5/16x1 1/2 BLK - H100407



(9) - BOLT WH 5/16x1 1/4 BLK - H100459



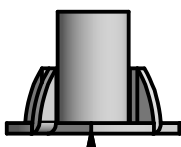
(9) - BOLT WH 5/16x1/2 BLK - H100396



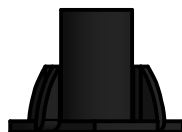
(28) - T-NUT 1/4 - H100072



(2) - T-NUT 1/4 BLK - H100398



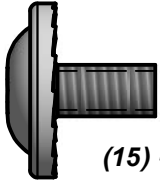
(7) - T-NUT 5/16 - H100074



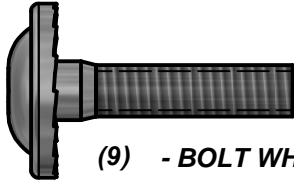
(79) - T-NUT 5/16 BLK - H100379

Parts Identification

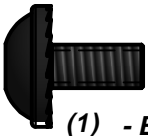
Hardware



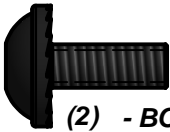
(15) - BOLT WH 5/16x1/2 - H100115



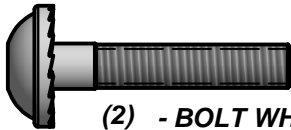
(9) - BOLT WH 5/16x1 1/4 - H100009



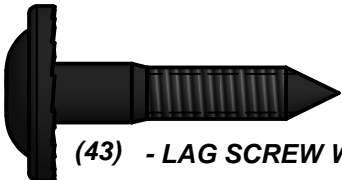
(1) - BOLT WH 1/4x1/2 BLK - H100401



(2) - BOLT WH 1/4x5/8 BLK - H100486



(2) - BOLT WH 1/4x1-1/4 - H100142



(43) - LAG SCREW WH 5/16x1-1/2 BLK - H100471



(9) - LAG SCREW WH 5/16x2 BLK - H100458



(2) - LAG SCREW WH 5/16x3 BLK - H100206



(7) - LAG SCREW WH 1/4x1-1/2 - H100145



(4) - LAG SCREW WH 1/4x1-1/2 BLK - H100403



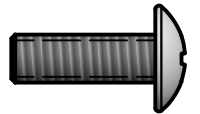
(2) - LAG SCREW WH 1/4x2 BLK - H100487



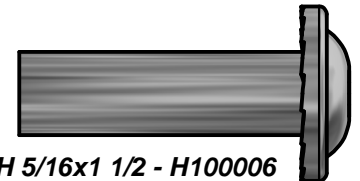
(4) - BOLT HEX 5/16x1 - H100040



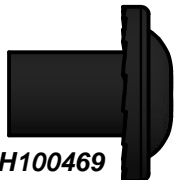
(2) - BOLT HEX 5/16x2-3/4 - H100047



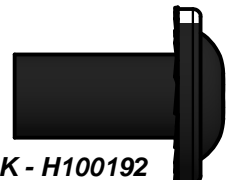
(26) - BOLT PTH 1/4x3/4 - H100063



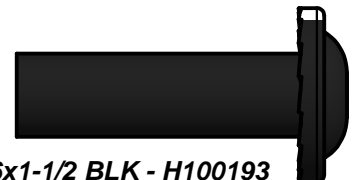
(9) - NUT BARREL WH 5/16x1 1/2 - H100006



(7) - NUT BARREL WH 5/16x5/8 BLK - H100469



(13) - NUT BARREL WH 5/16x7/8 BLK - H100192



(2) - NUT BARREL WH 5/16x1-1/2 BLK - H100193



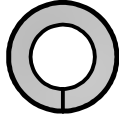
(1) - NUT BARREL WH 1/4x7/8 BLK - H100399

Parts Identification

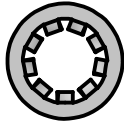
Hardware



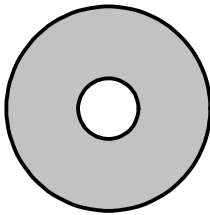
(9) - NUT LOCK 5/16 - H100110



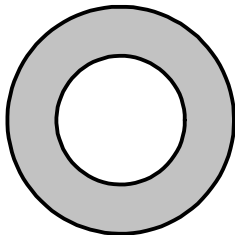
(4) - WASHER SPLIT 5/16 - H100095



(26) - WASHER LOCK INT 8x15 - H100108



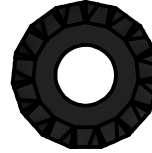
(16) - WASHER FLAT 8x27 - H100105



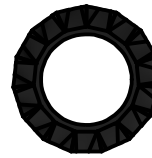
(7) - WASHER SAFETY 17x30 - H100103



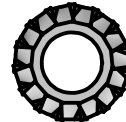
(7) - WASHER LOCK EXT 6x15 BLK - H100405



(133) - WASHER LOCK EXT 8x19 BLK - H100198



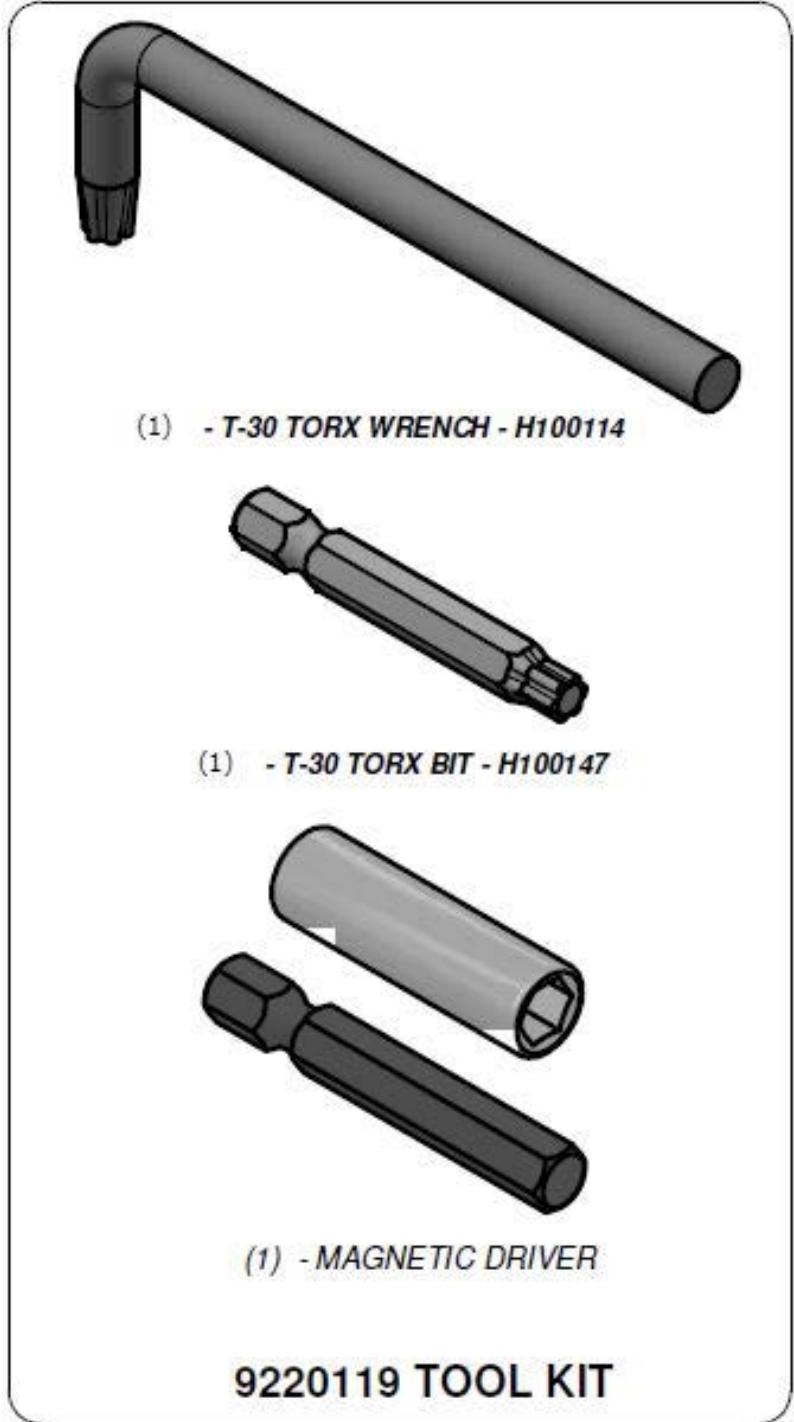
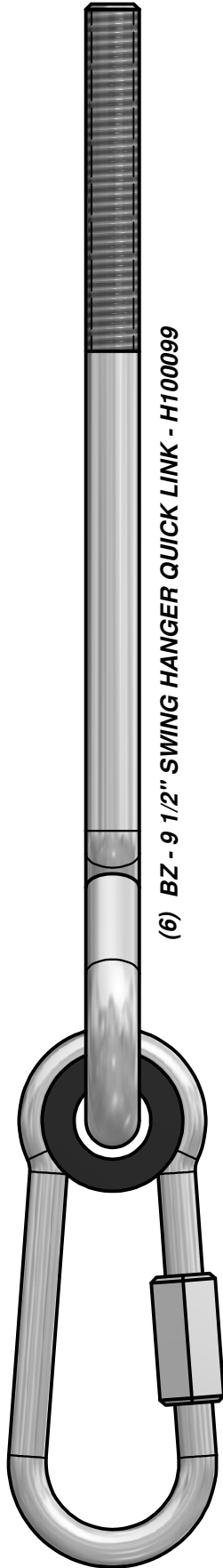
(16) - WASHER LOCK EXT 12x19 BLK - H100199



(9) - WASHER LOCK EXT 6x15 - H100138

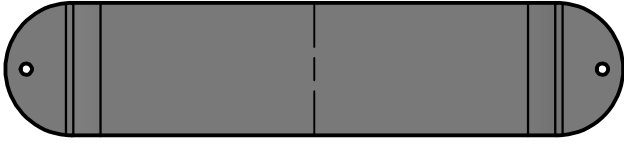
Parts Identification

Hardware

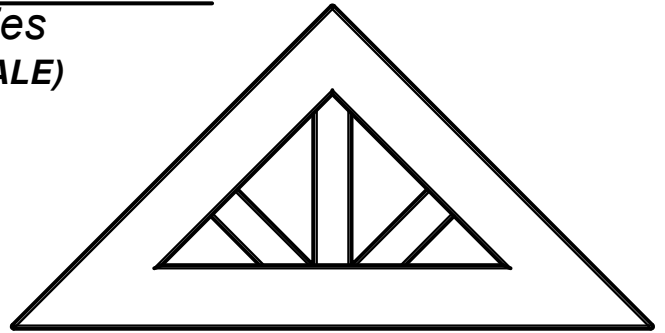


Parts Identification

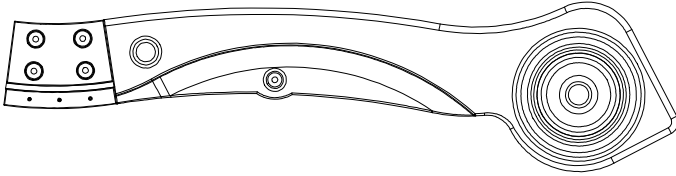
Accessories
(NOT TO SCALE)



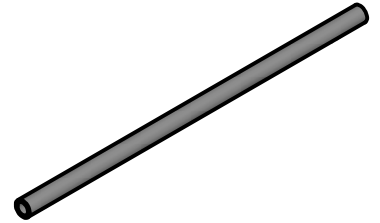
(2) DP - SWING SEAT GREEN - A100027



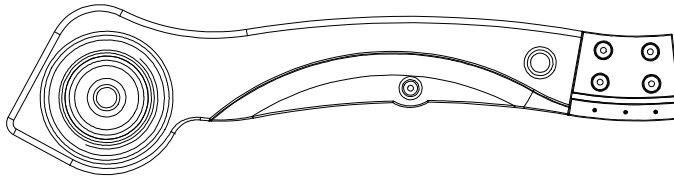
(2) SY - PLASTIC SUNBURST - A100322



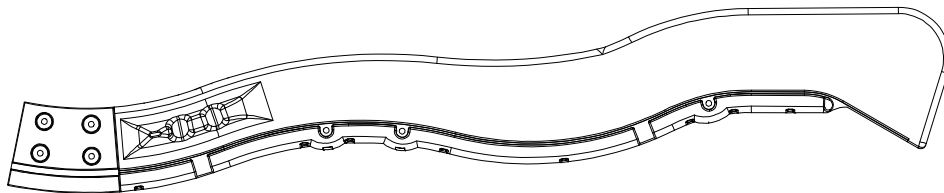
(1) DR - SLIDE RAIL 10' BOTTOM LEFT GREEN - A6P00483



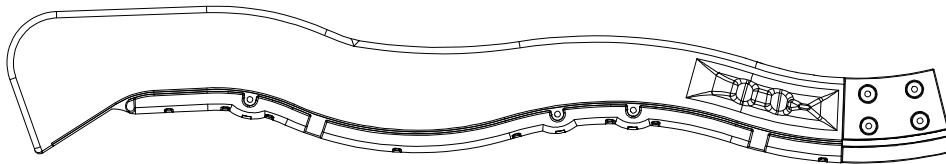
(4) DW - SLIDE SUPPORT TUBE - A6P00487



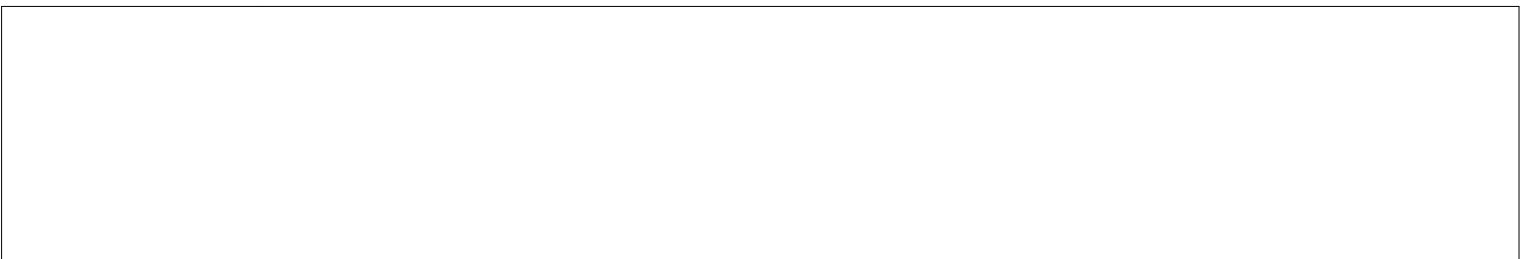
(1) DS - SLIDE RAIL 10' BOTTOM RIGHT GREEN - A6P00484



(1) DT - SLIDE RAIL 10' TOP LEFT GREEN - A6P00485



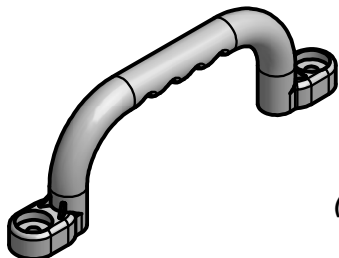
(1) TR - SLIDE RAIL 10' TOP RIGHT GREEN - A6P00486



(1) DX - SLIDE BED 10' LIGHT GREEN - A100035

Parts Identification

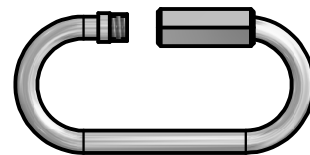
Accessories (NOT TO SCALE)



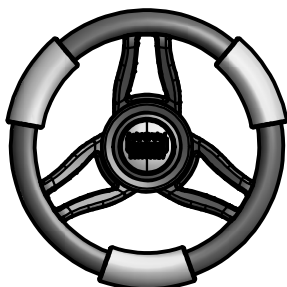
(4) EA - HAND GRIP YELLOW PLASTIC - A100043



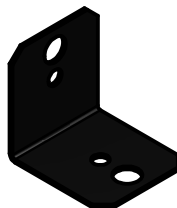
(1) SQ - "A" REVISION TAG - A100314



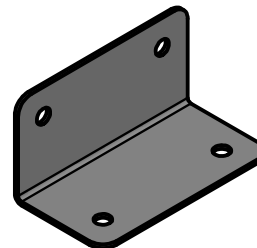
(6) FA - QUICK LINK - A100069



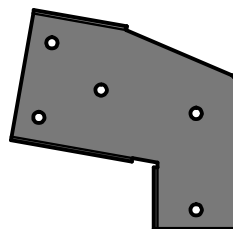
(1) LP - STEERING WHEEL - A100105



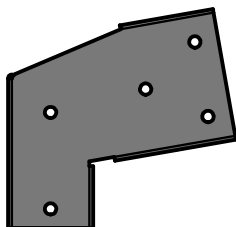
(2) - 90° L-BRACKET - BLK - A4M00555



(2) GD - L BRACKET 66x66x127 - A100140



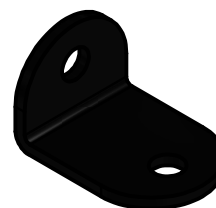
(1) TB - SWING BEAM EXTENSION BRACKET-LEFT - A100325



(1) TC - SWING BEAM EXTENSION BRACKET-RIGHT - A100326



(1) HC - BYD ID TAG (LARGE) WITHOUT AGES - A100242



(2) - L BRACKET BLACK 32x51 - A4M00710



(6) - GROUND STAKE REBAR - A4M00527



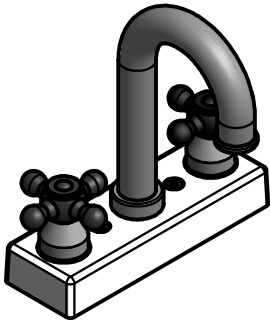
(2) KN - CHAIN GREEN 31" - A100177



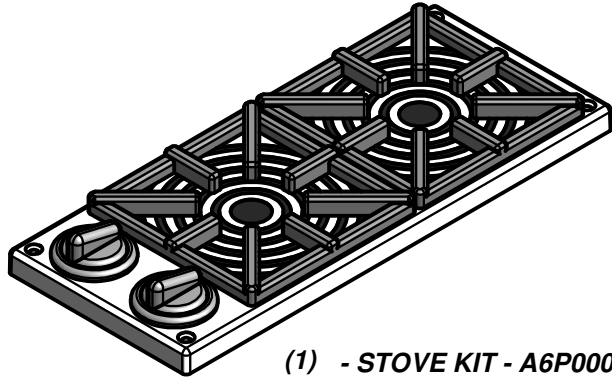
(4) EZ - CHAIN GREEN 51.25" - A100068

Parts Identification

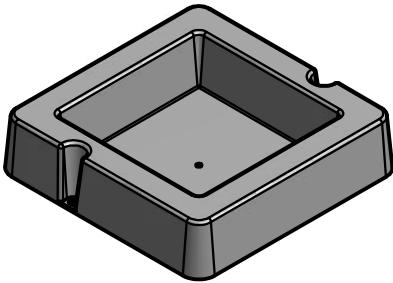
Accessories
(NOT TO SCALE)



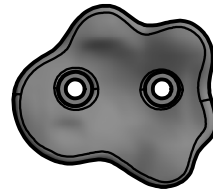
(1) - FAUCET KIT - A6P00024



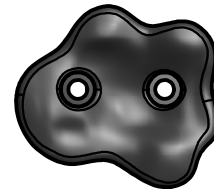
(1) - STOVE KIT - A6P00025



(1) - SURFACE MOUNT BASIN - A6P00032



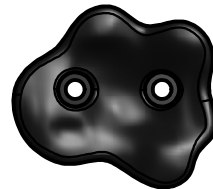
(3) - GREEN HC ROCK #1 - A6P00036



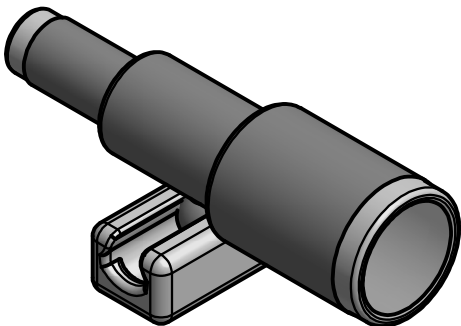
(3) - RED HC ROCK #1 - A6P00038



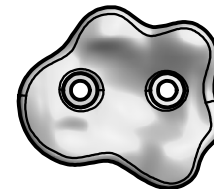
(1) - TRAPEZE - A6P00034



(3) - BLUE HC ROCK #2 - A6P00040



(1) LN - Telescope - A6P00096



(3) - YELLOW HC ROCK #1 - A6P00042

Parts Identification

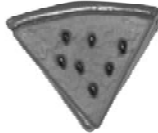
Accessories
(NOT TO SCALE)



APPLE



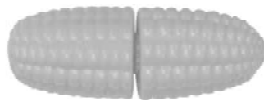
ORANGE



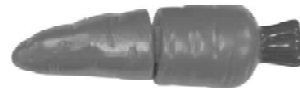
WATERMELON



STRAWBERRY



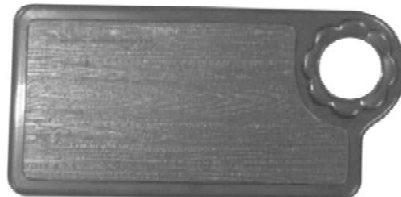
CORN



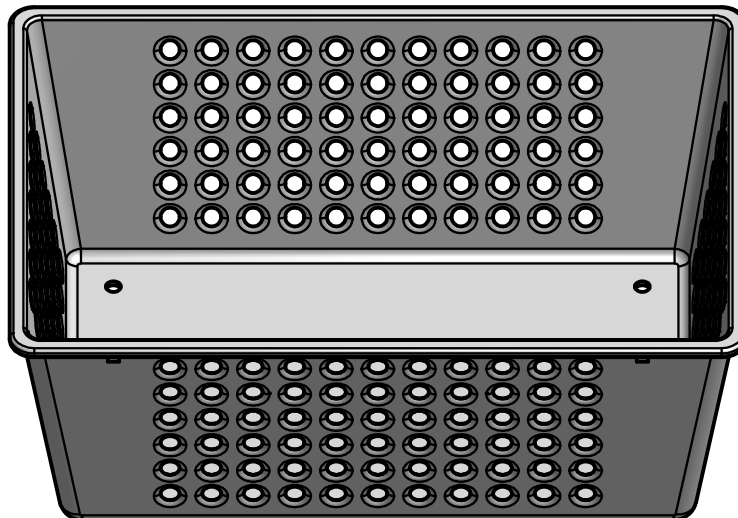
CARROT



PLASTIC KNIFE



CUTTING BOARD



(1) FRUIT BASKET KIT - A6P00069

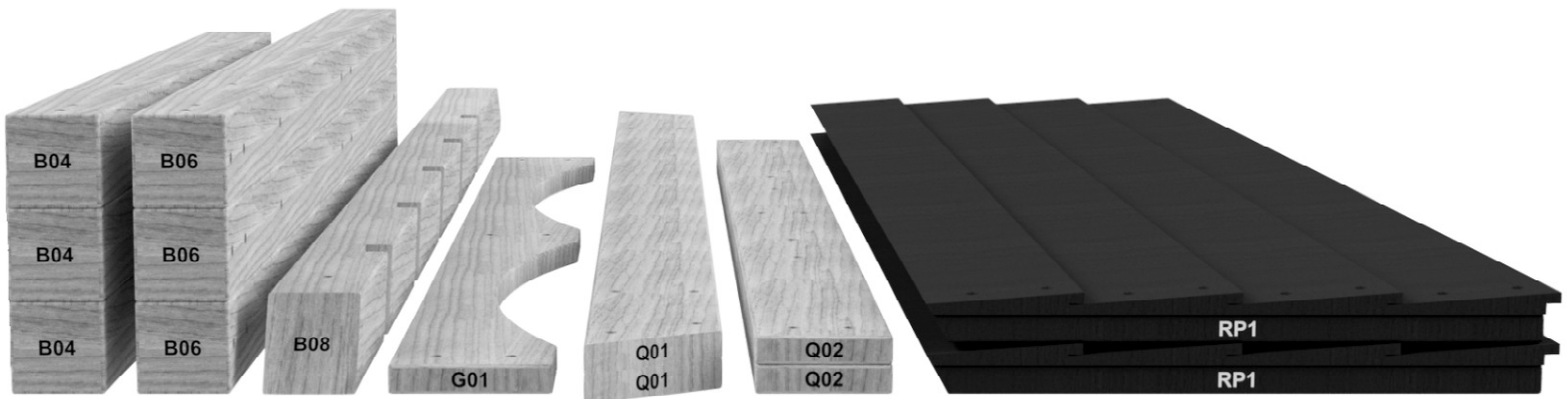
PRE-ASSEMBLY STEP 1 - SORTING PARTS

It is critical for ease of assembly that you take the time to sort and organize the wood and hardware.

WOOD PARTS:

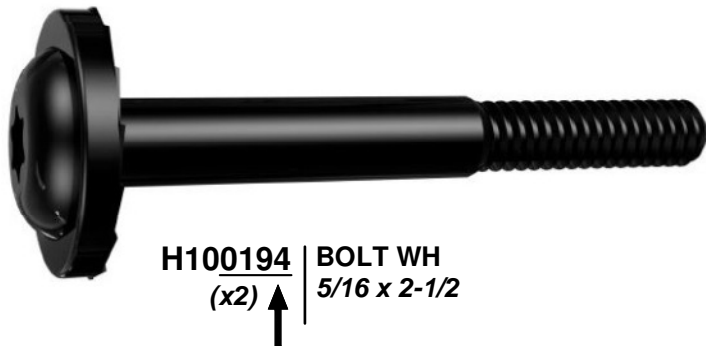
- Organize wood parts by the three-digit, alpha-numeric number stamped on each board (ex. P01).
- If there are multiple boards with the same stamped number, stack those pieces together.
- Stamps can be found on the flat surface of the boards or on the end of the boards.
- Allow yourself plenty of room - the wood pieces can take up a significant amount of space.

NOTE: CARTONS ARE NOT ORGANIZED BY BOARD NUMBER.



HARDWARE PARTS:

- We recommend that you have a separate table to organize the hardware.
- Hardware bags are printed with a seven-digit, alpha-numeric part number.
- You can organize your hardware by part number or group by hardware type (i.e. bolts, nuts, etc.).
- During assembly you only need to reference the last four digits of the number.



PRE-ASSEMBLY STEP 2 - TOOLS REQUIRED



Cordless Drill or Electric Drill



Drill Attachments:
Phillips Head



1/8", 3/16", 3/8" & 7/16"
Drill Bits



Phillips Screw Driver



Open End Wrenches 1/2" & 9/16"



3/8" Drive Ratchet, 1/2" &
9/16" STD Sockets 1/2" & 9/16" Deep
Sockets



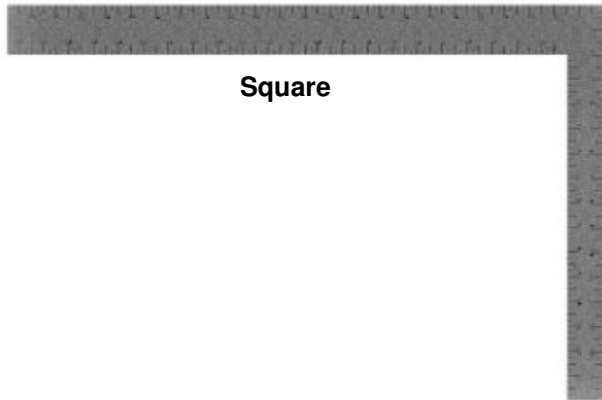
Claw Hammer



Rubber Mallet - Optional



Tape Measure



Square

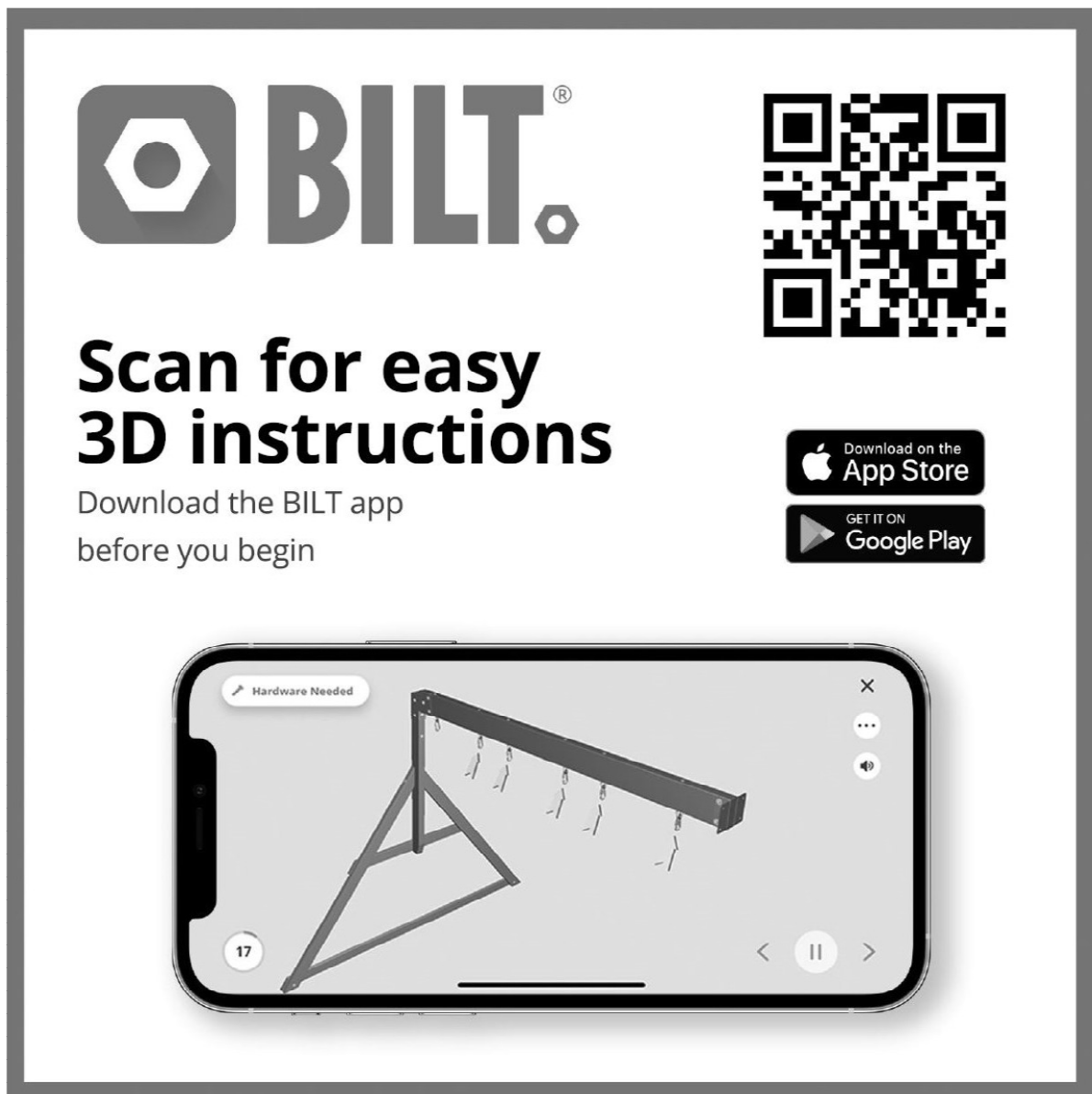


Level 24"

PRE-ASSEMBLY STEP 3 - CHOOSE YOUR ASSEMBLY METHOD

There are several types of assembly instructions available to you.

1. Printed Assembly Manual included with your set
2. BILT APP - 3D interactive instructions
3. Combination of the Printed Manual and BILT APP (Note: Step numbers can differ between the two methods)



The advertisement features the BILT logo on the left, a QR code on the right, and a central text area. Below the text are two app store download buttons and a smartphone mockup showing the app's interface. The smartphone screen displays a 3D assembly diagram of a metal frame with a horizontal beam and hanging components. The interface includes a 'Hardware Needed' label, a step number '17', and navigation controls like back, play/pause, and forward buttons.

BILT.[®]

**Scan for easy
3D instructions**

Download the BILT app
before you begin

Download on the
App Store

GET IT ON
Google Play

Hardware Needed

17



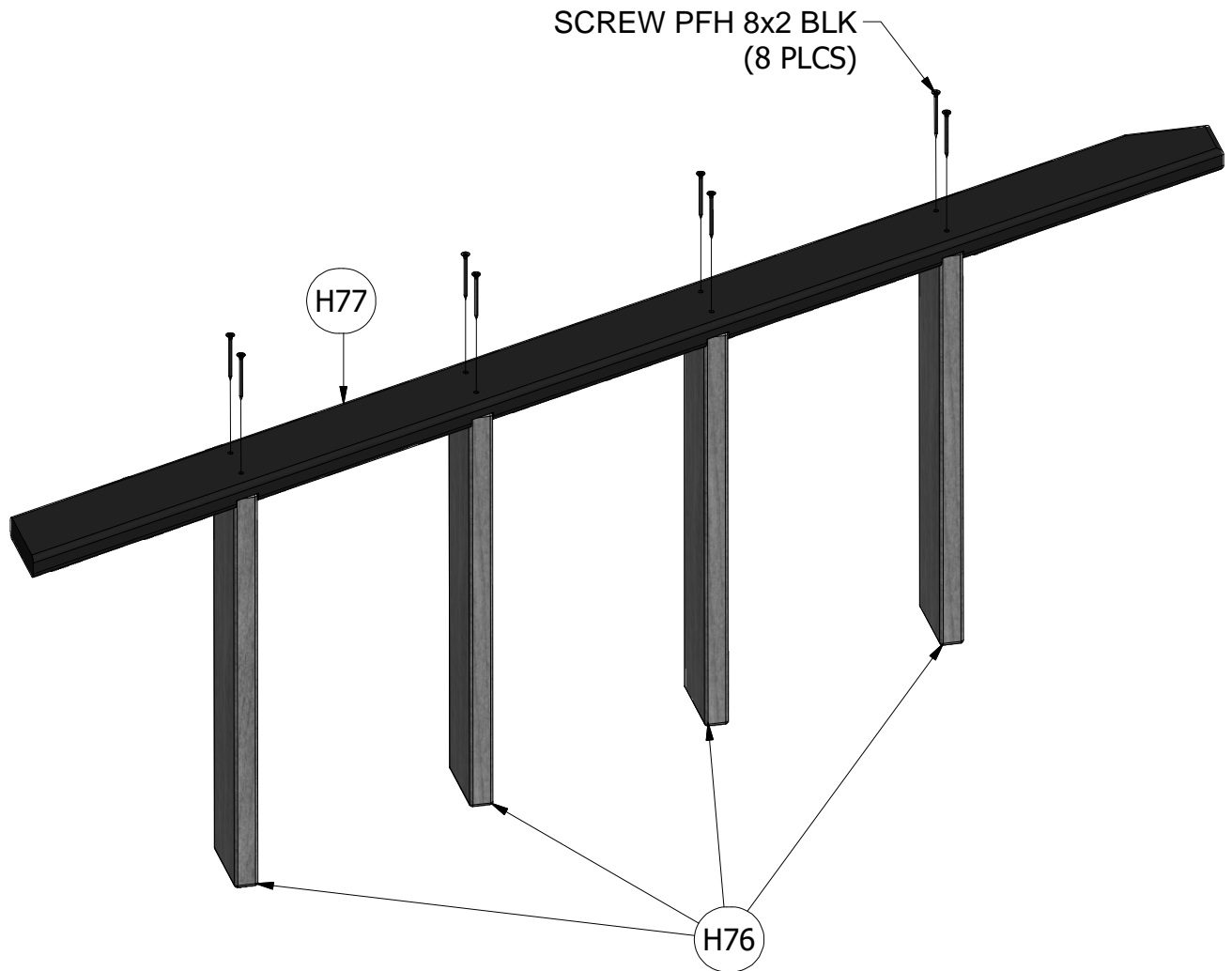
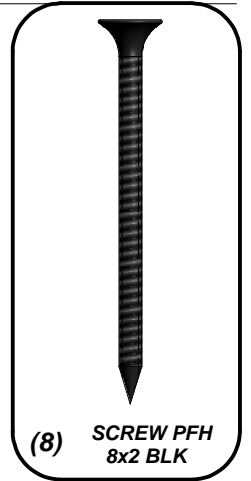
(1) H77 - LEFT UPRIGHT - W4L07617
1"x3 3/8"x58" (24x86x1474)



(4) H76 - LADDER RUNG - W4L07620
1"x3 3/8"x17 1/4" (24x86x437)

4 FT LADDER WITH ATTACHMENT BOARD

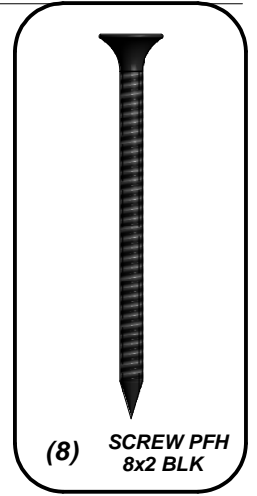
STEP 1



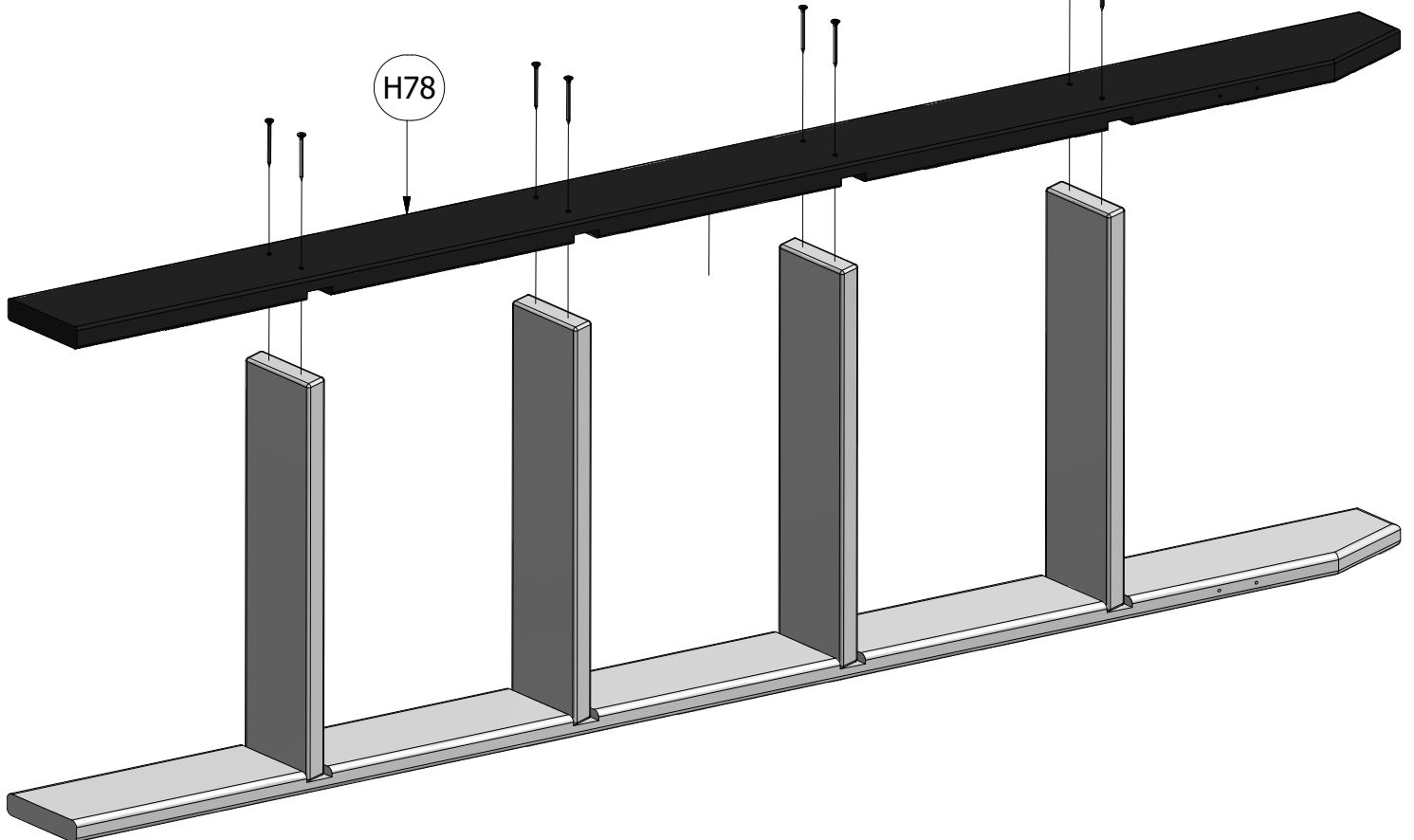


(1) H78 - RIGHT UPRIGHT - W4L07618
1"x3 3/8"x64 3/8" (24x86x1634)

STEP 2



SCREW PFH 8x2 BLK
(8 PLCS)



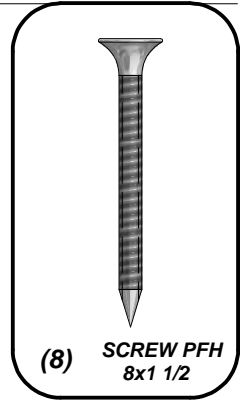


(1) M110 - ATTACHMENT BOARD - W4L07621
5/8"x3 3/8"x18 1/4" (16x86x465)



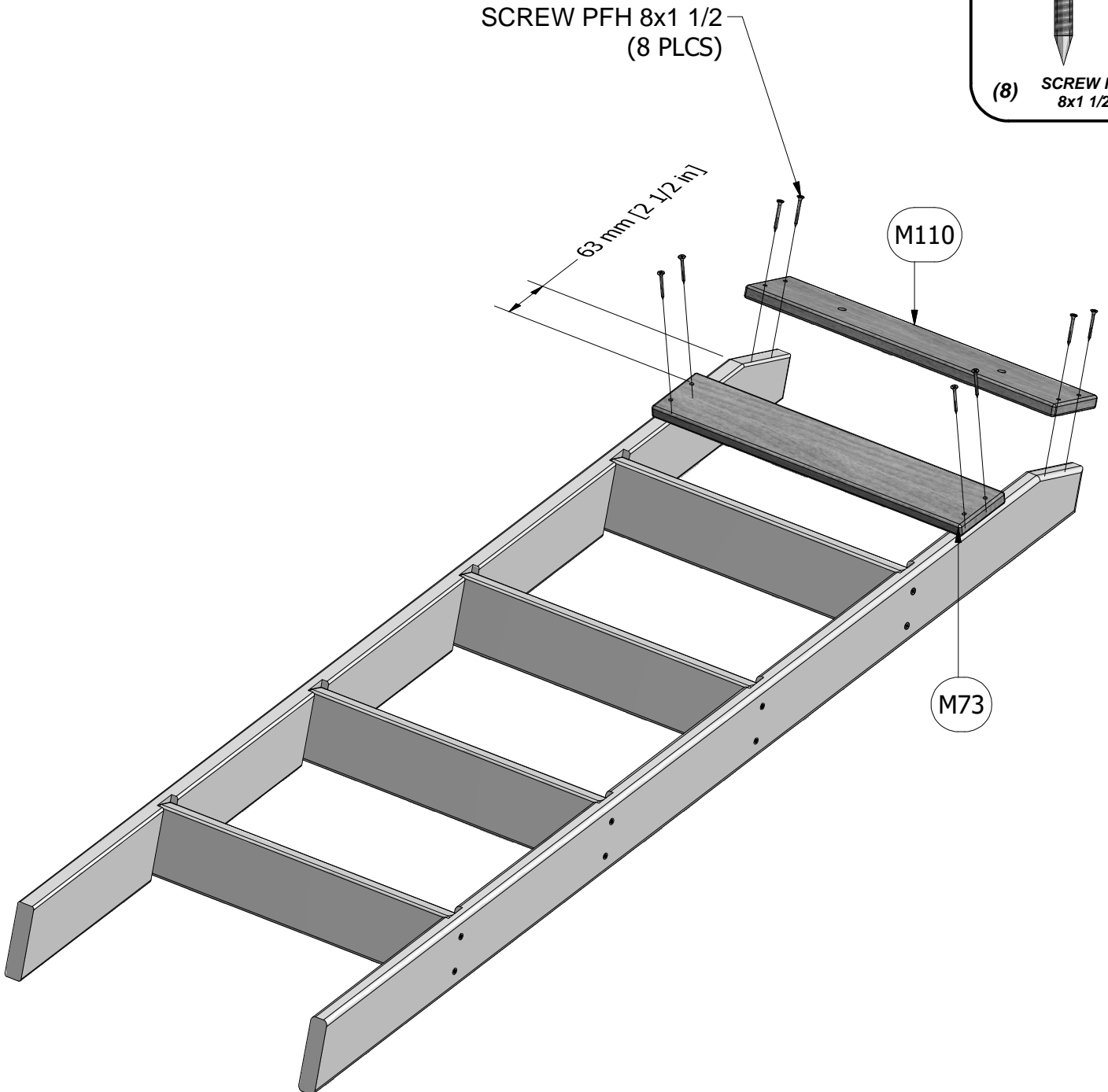
(1) M73 - REAR SUPPORT - W4L07619
5/8"x3 3/8"x18 1/4" (16x86x465)

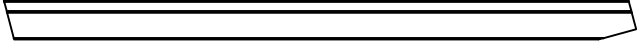
STEP 3



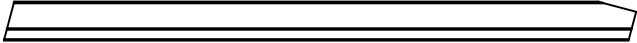
SCREW PFH 8x1 1/2
(8 PLCS)

63 mm [2 1/2 in]





(1) E72 - LEFT RAIL - W4L07622
1 3/8"x3 3/8"x54 7/8" (36x86x1395)



(1) E73 - RIGHT RAIL - W4L07623
1 3/8"x3 3/8"x54 7/8" (36x86x1395)



(1) M108 - TOP BOARD - W4L07625
5/8"x3 3/8"x26 1/4" (16x86x667)



(8) M74 - ROCK WALL BOARD - W4L07624
5/8"x3 3/8"x25" (16x86x635)

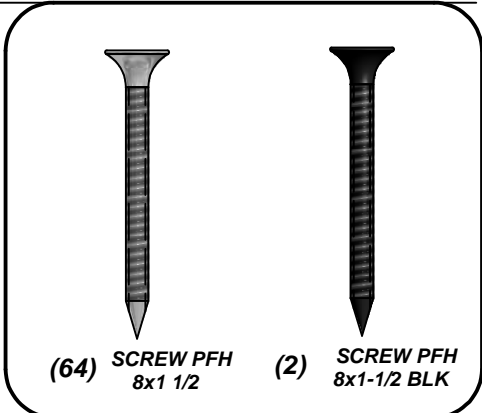


(4) M75 - ROCK WALL BOARD - W4L07627
5/8"x3 3/8"x25" (16x86x635)

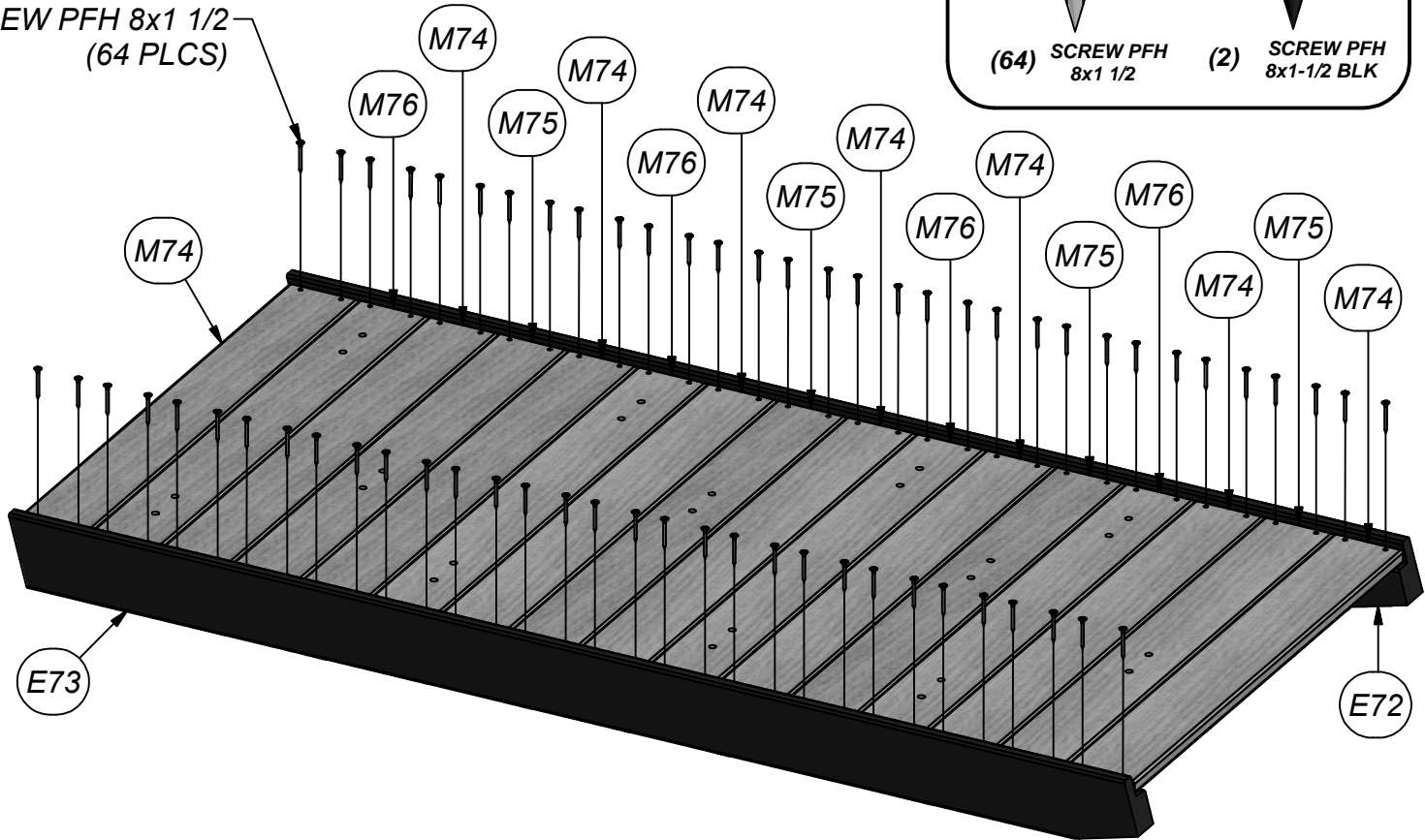


(4) M76 - ROCK WALL BOARD - W4L07626
5/8"x3 3/8"x25" (16x86x635)

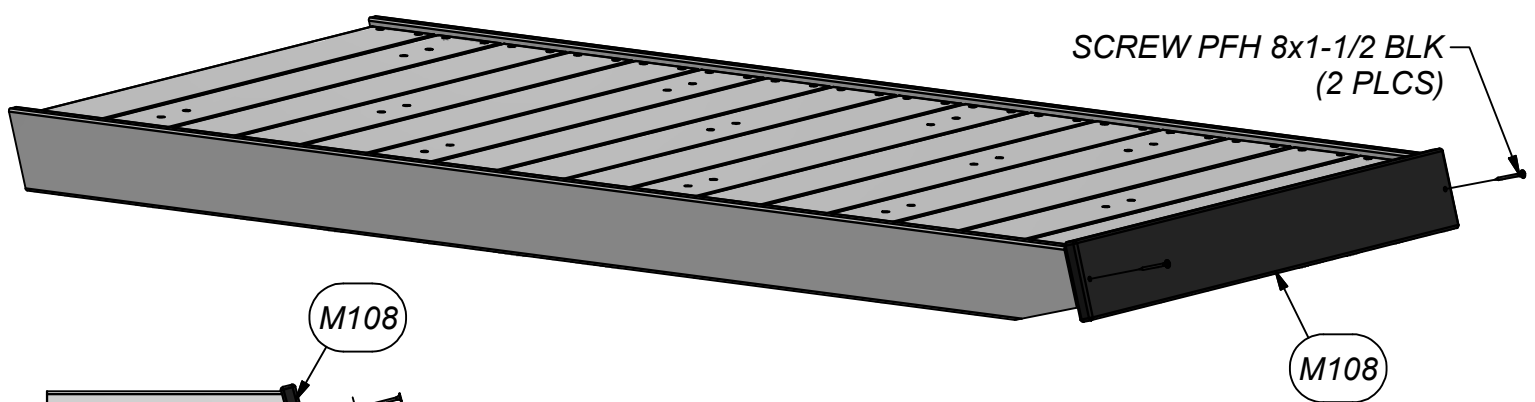
ROCKWALL STEP 1



SCREW PFH 8x1 1/2
(64 PLCS)



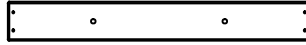
SCREW PFH 8x1-1/2 BLK
(2 PLCS)



M108

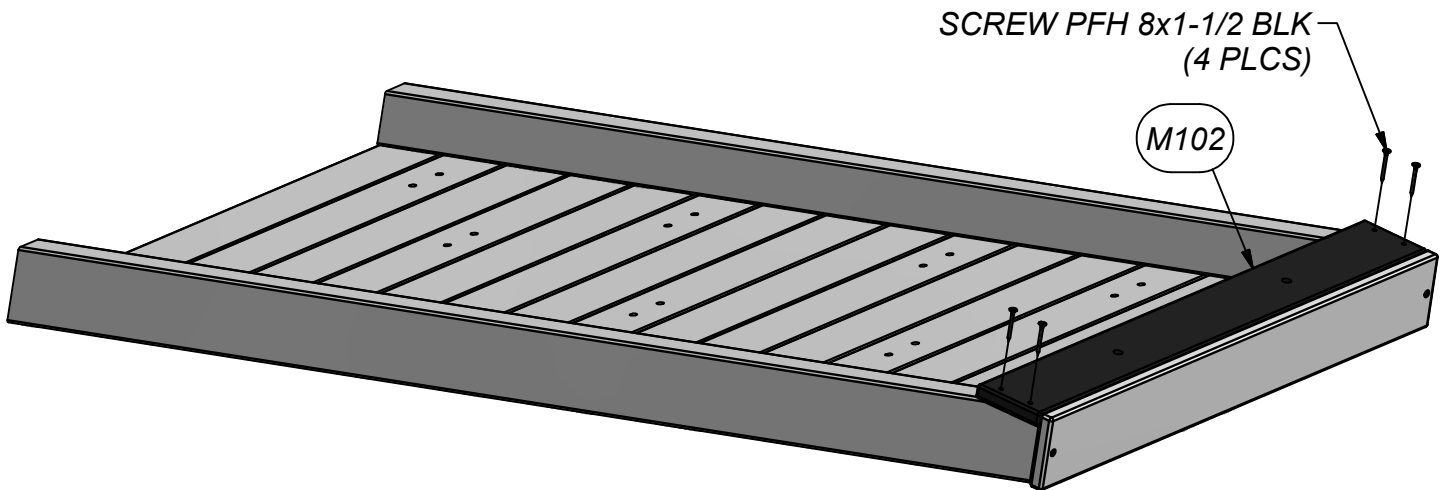
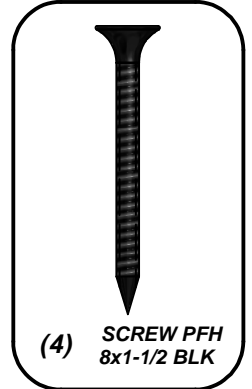
M108

16 mm [5/8 in]



- (1) **M102 - ATTACHMENT BOARD - W4L07628**
5/8"x3 3/8"x26 1/4" (16x86x667)

ROCKWALL
STEP 2





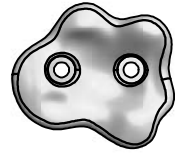
(3) - GREEN HC ROCK #1 - A6P00036



(3) - RED HC ROCK #1 - A6P00038

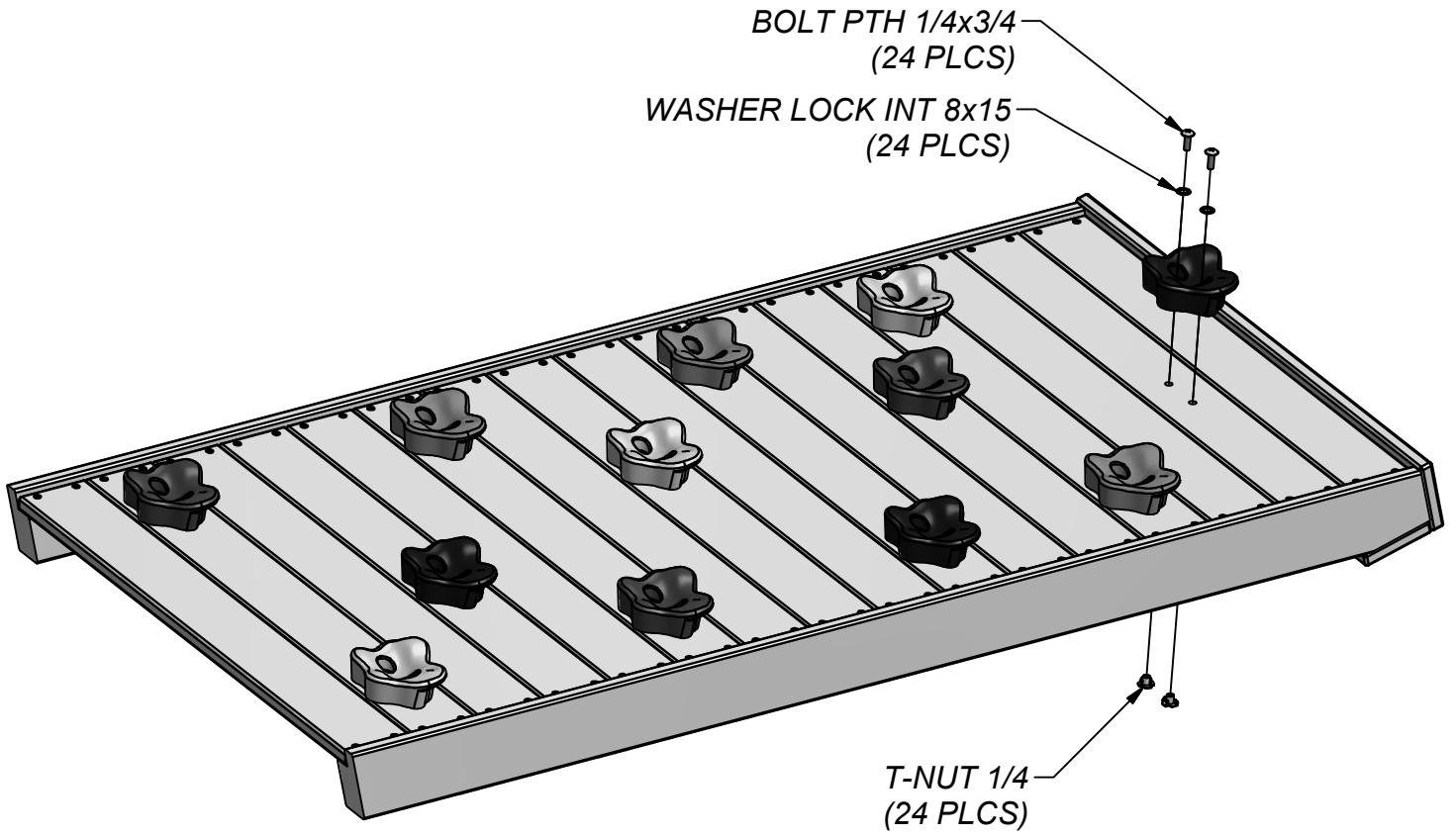
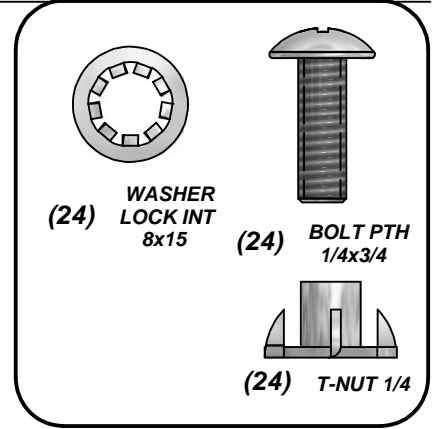


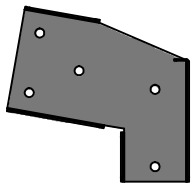
(3) - BLUE HC ROCK #2 - A6P00040



(3) - YELLOW HC ROCK #1 - A6P00042

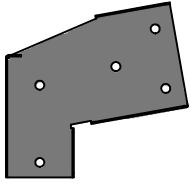
ROCKWALL STEP 3



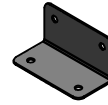


(1) **SB74 - SWING BEAM EXTENDED - W4L07633**
 2"x5 1/4"x89 1/2" (50x134x2274)

(1) **TC - SWING BEAM EXTENSION BRACKET-RIGHT - A100326**

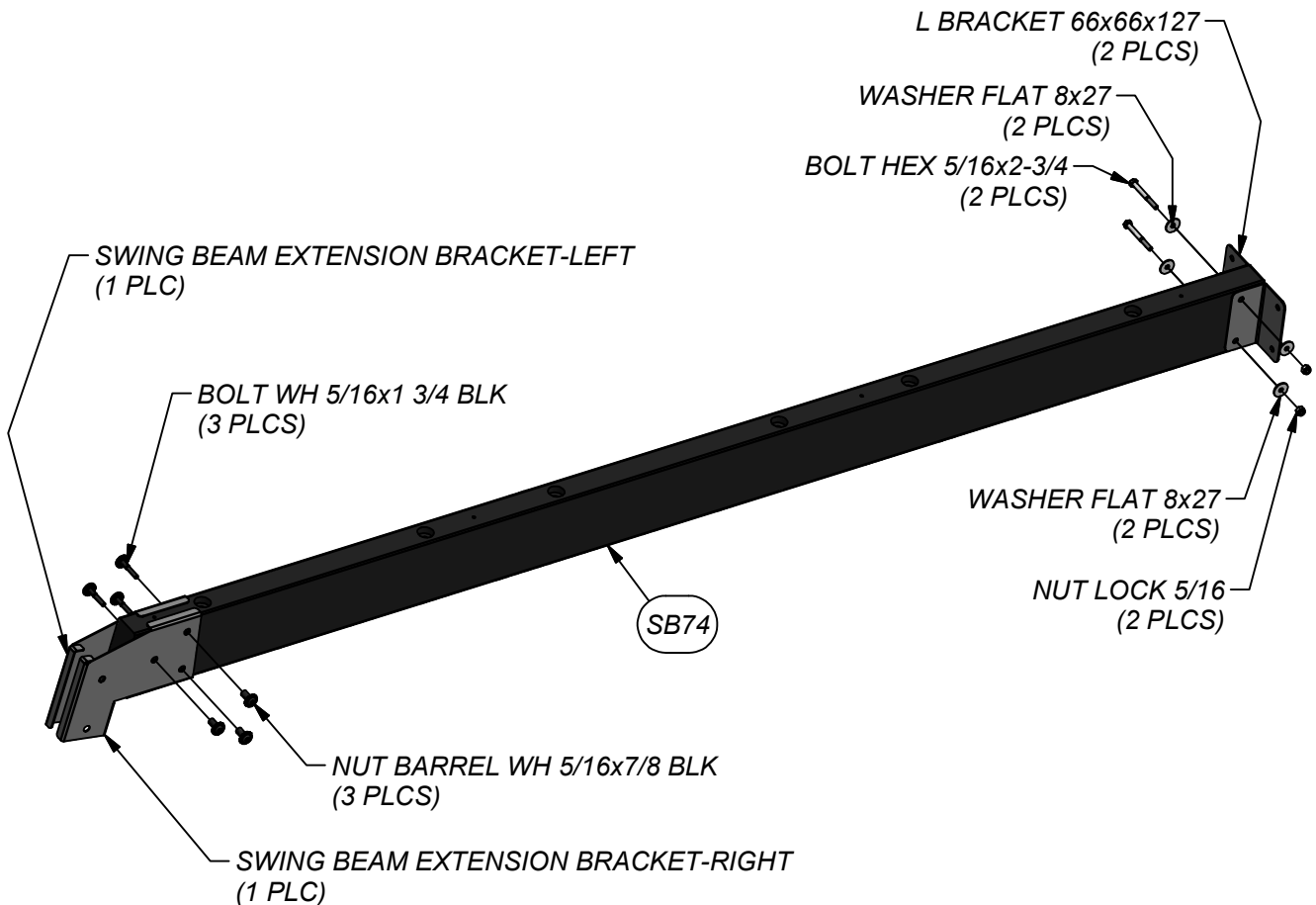
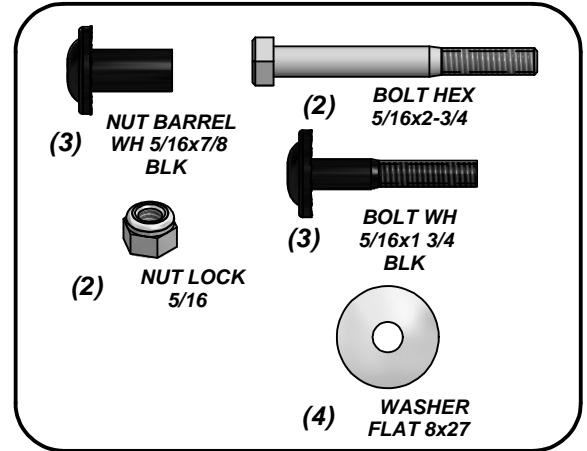


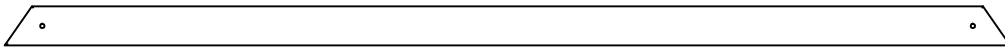
(1) **TB - SWING BEAM EXTENSION BRACKET-LEFT - A100325**



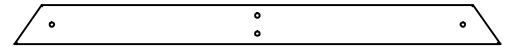
(2) **GD - L BRACKET 66x66x127 - A100140**

SWING BEAM ASSEMBLY
STEP 1

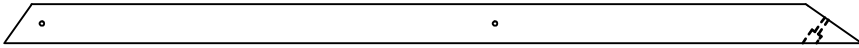




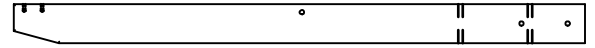
(1) **H80 - GROUND BOARD - W4L07630**
1"x3 3/8"x87 3/8" (24x86x2218)



(1) **H79 - END SUPPORT - W4L07632**
1"x3 1/2"x42" (24x86x1072)

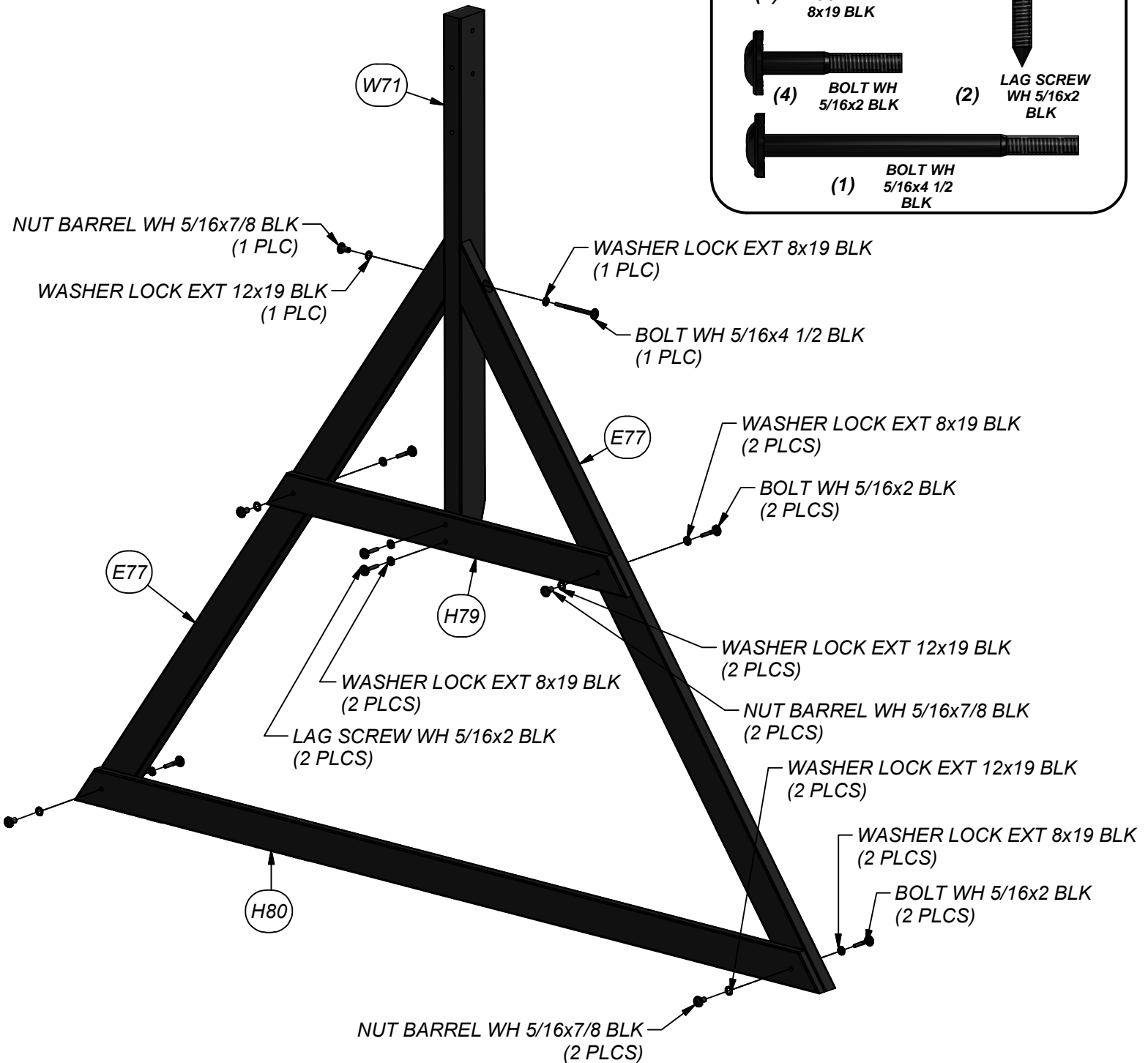
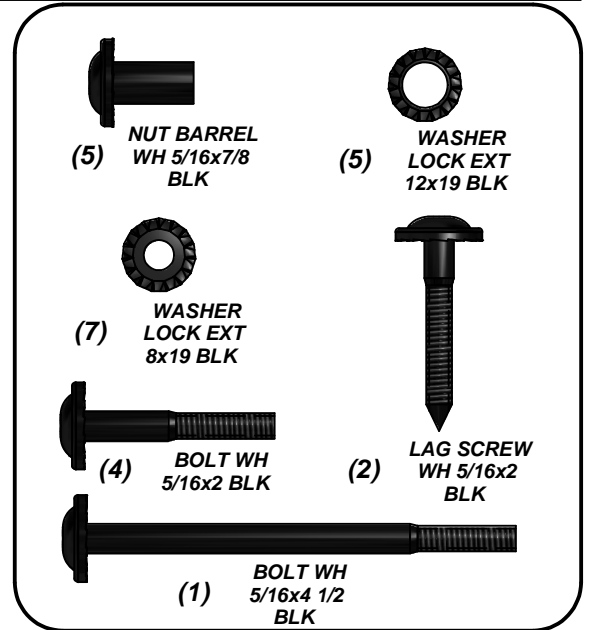


(2) **E77 - ANGLE BRACE - W4L07631**
1 3/8"x3 3/8"x74 3/8" (36x86x1890)

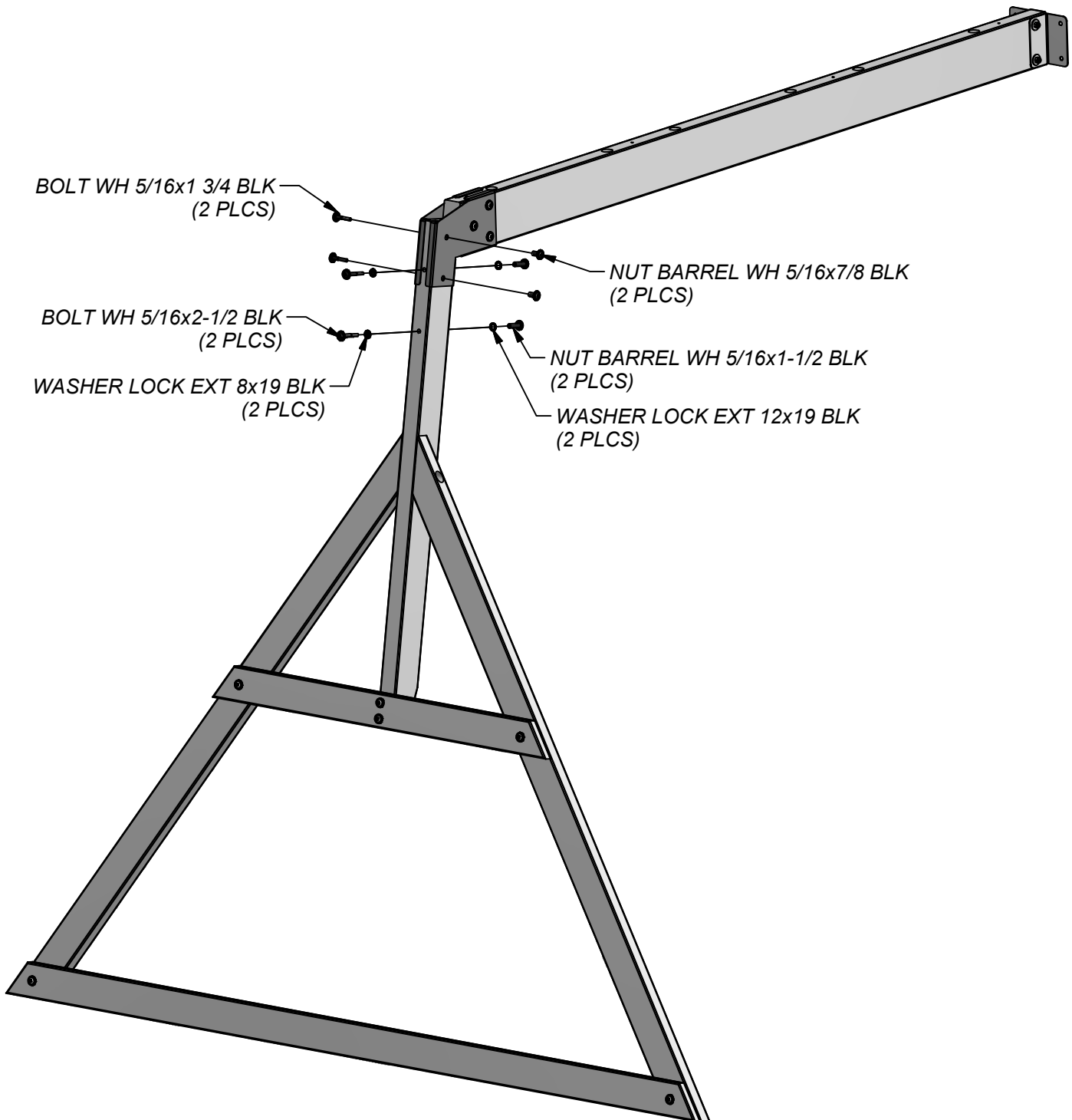
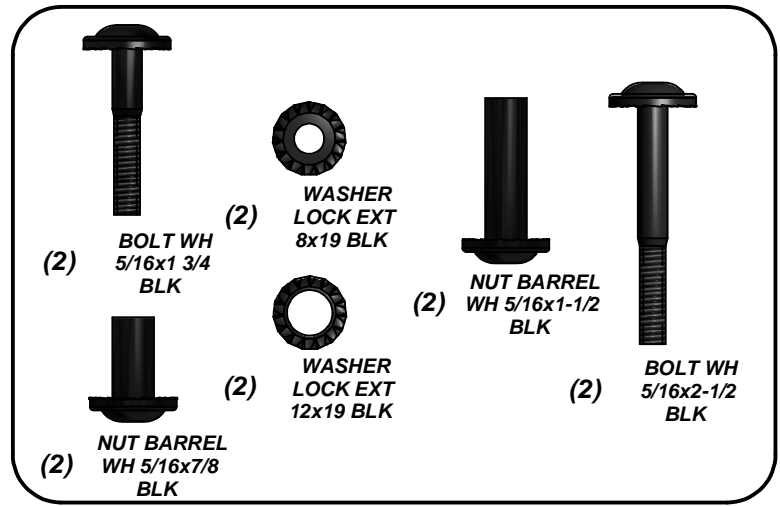


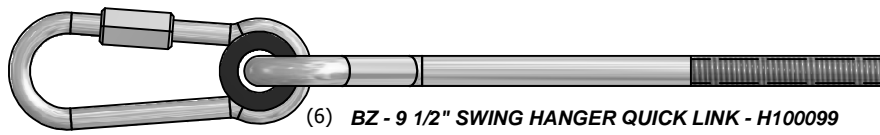
(1) **W71 - SWING BEAM SUPPORT - W4L07629**
2"x3 3/8"x49 5/8" (50x86x1260)

**SWING BEAM ASSEMBLY
STEP 2**



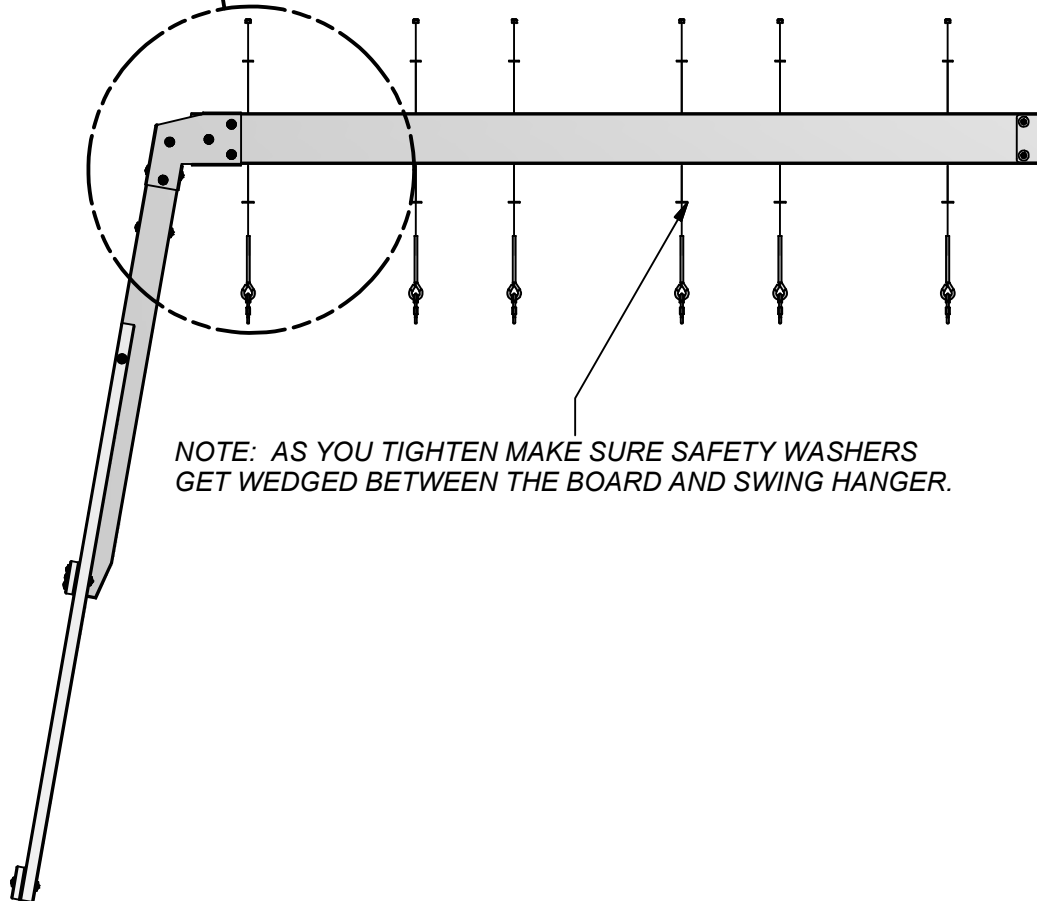
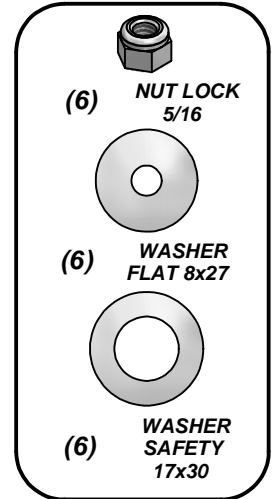
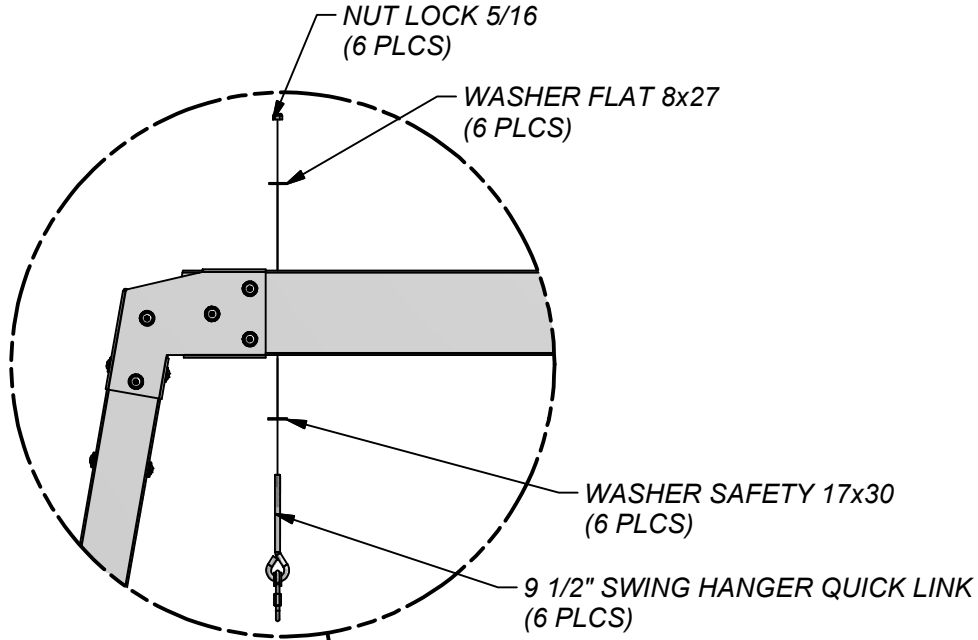
**SWING BEAM ASSEMBLY
STEP 3**





(6) BZ - 9 1/2" SWING HANGER QUICK LINK - H100099

SWING BEAM ASSEMBLY STEP 4



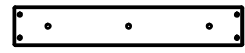


SLIDE ASSEMBLY

STEP 1



A100035 | SLIDE BED 10' LIGHT GREEN
(x1)



M70 | SLIDE SUPPORT BOARD - W100935
(x1) 5/8"x3 3/8"x19 7/8" (16x86x505)



H100074 | T-NUT
(x3) 5/16"



H100115 | BOLT WH
(x3) 5/16x1/2"



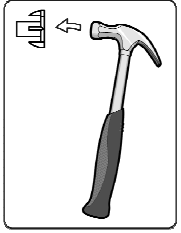
NOTE:

TAKE NOTE OF SLIDE BED SURFACE FINISH, THE DULL SIDE WILL BE TOWARDS THE GROUND. PLACE SLIDE BRACE CENTERED ON THE BOTTOM (DULL SIDE) AND 1/2" FROM THE EDGE. USE **M70** BOARD AS A TEMPLATE FOR DRILLING BOTTOM HOLE PATTERN IN SLIDE BED. USE A 5/16" DRILL BIT.

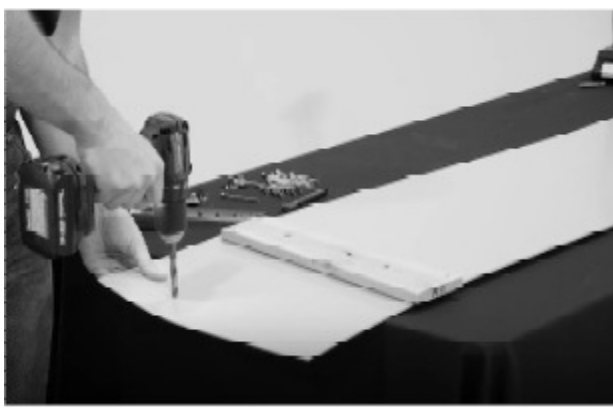
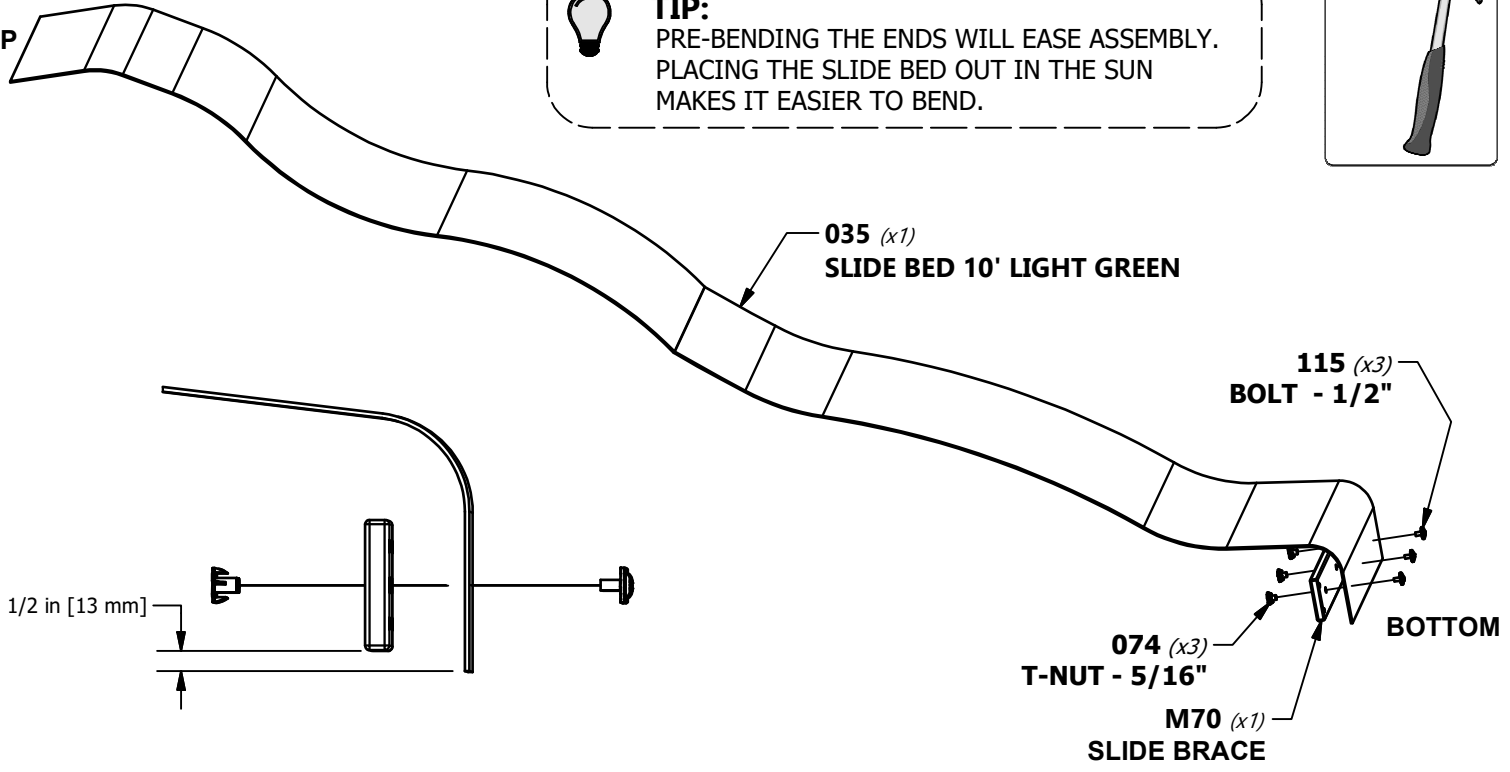


TIP:

PRE-BENDING THE ENDS WILL EASE ASSEMBLY. PLACING THE SLIDE BED OUT IN THE SUN MAKES IT EASIER TO BEND.



TOP





SLIDE ASSEMBLY

STEP 2



A6P00484 | SLIDE RAIL 10' BOTTOM RIGHT GREEN
(x1)



A6P00486 | SLIDE RAIL 10' TOP RIGHT GREEN
(x1)



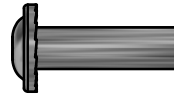
A6P00483 | SLIDE RAIL 10' BOTTOM LEFT GREEN
(x1)



A6P00485 | SLIDE RAIL 10' TOP LEFT GREEN
(x1)



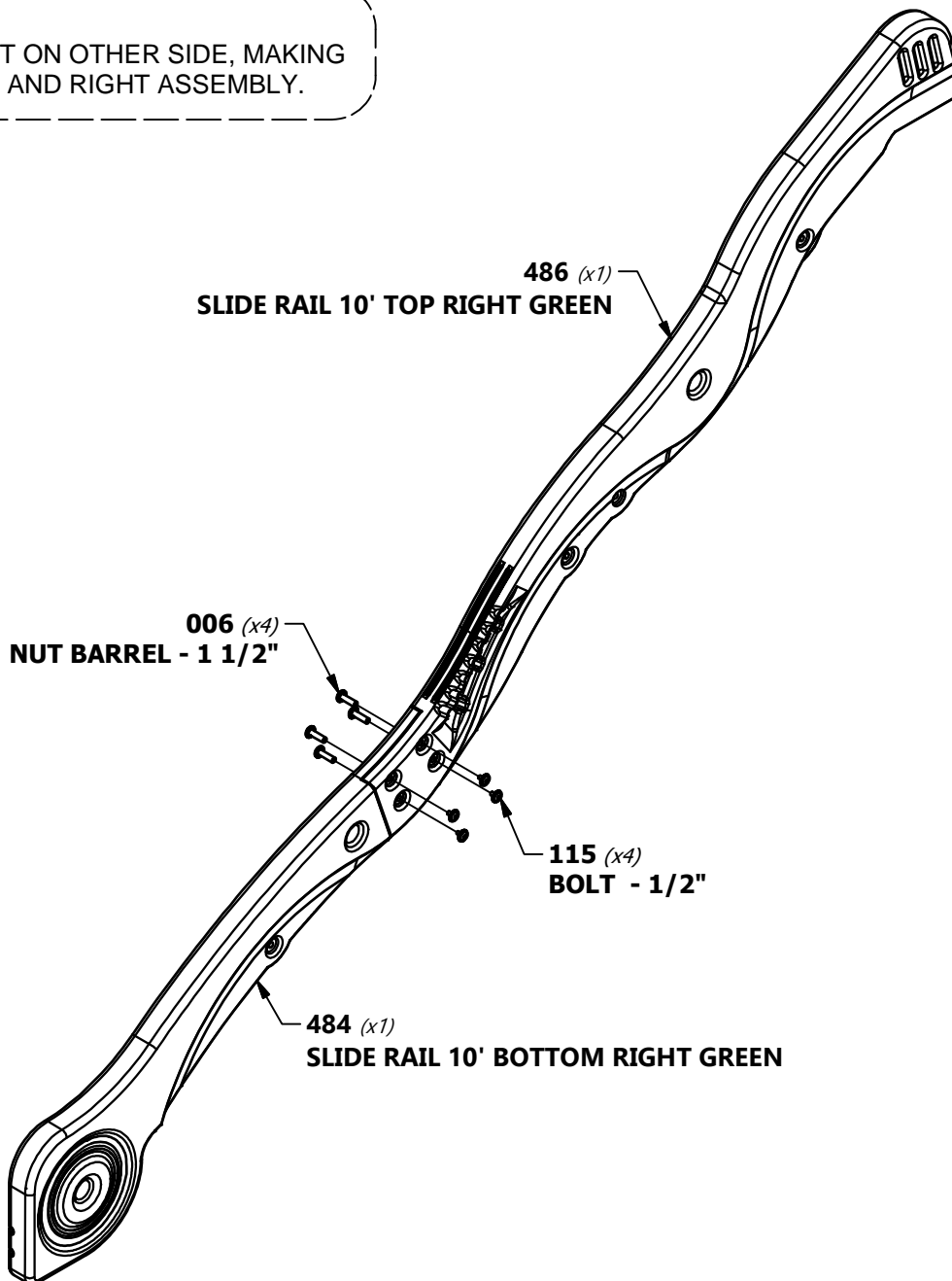
H100115 | BOLT WH
(x8) | 5/16x1/2



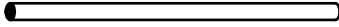
H100006 | NUT BARREL WH
(x8) | 5/16x1 1/2

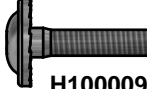


NOTE:
REPEAT ON OTHER SIDE, MAKING
A LEFT AND RIGHT ASSEMBLY.






A6P00487 | SLIDE TUBE SUPPORT
 (x4)


H100009 | BOLT WH
 (x4) | 5/16x1 1/4

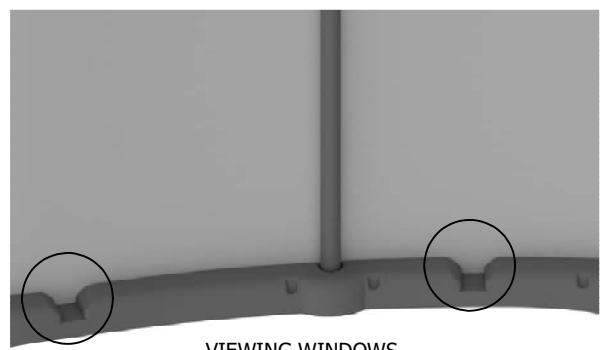
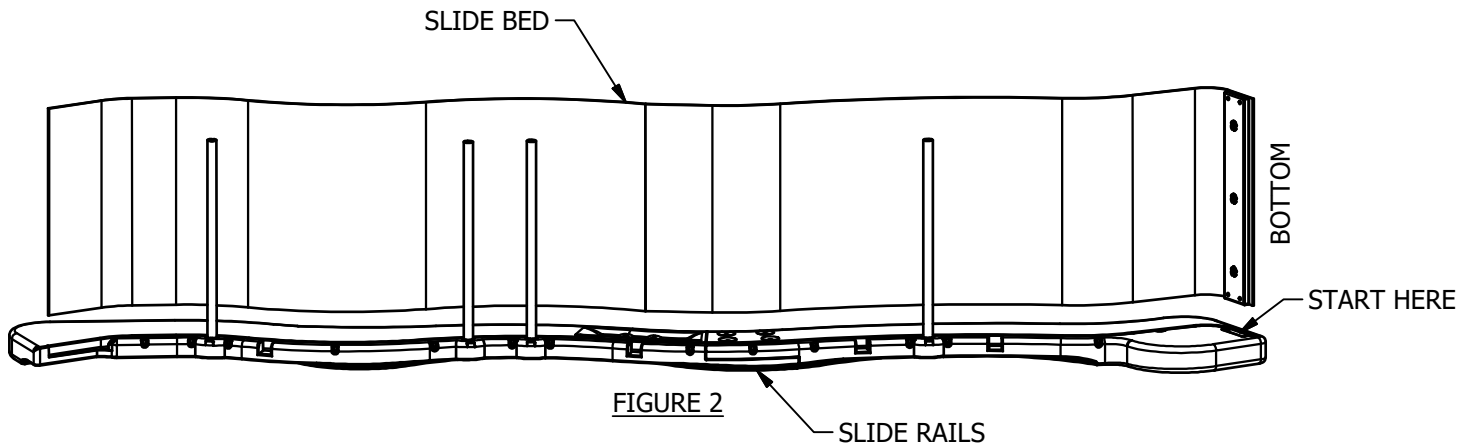
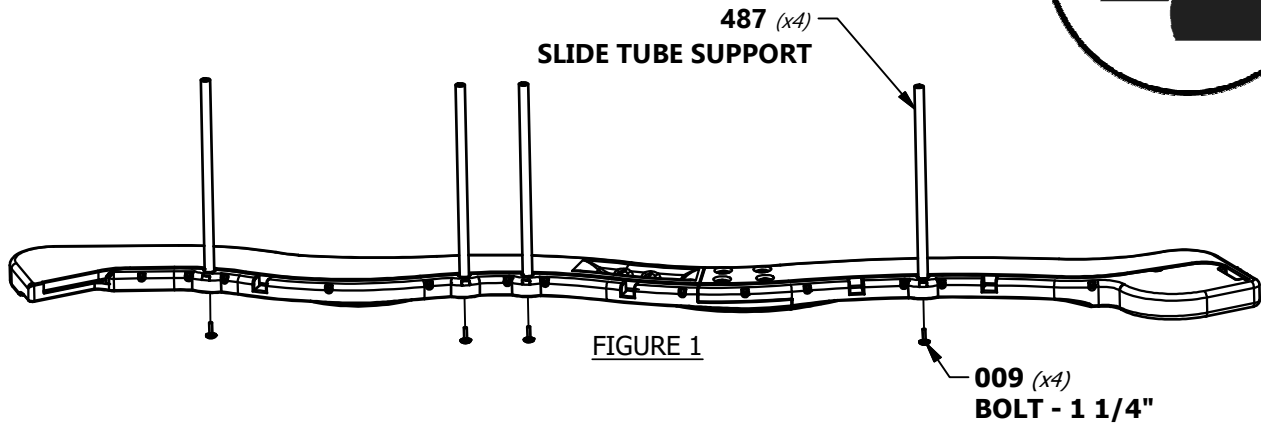
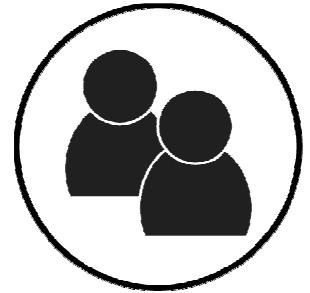
**NOTE:**

INSERT THE (4) SLIDE SUPPORT TUBES INTO THEIR RESPECTIVE PILOT LOCATIONS (FIGURE 1).

PLACE (1) SLIDE RAIL ASSEMBLY ON A FLAT SURFACE AND BEGIN INSERTING SLIDE BED AT THE BOTTOM OF THE SLIDE RAIL (FIGURE 2). HAVE A HELPER BEND THE SLIDE BED TOWARDS THE TOP OF THE SLIDE AND INSERT THE BED INTO THE SLIDE CAVITY. MAKE SURE SLIDE BED IS INSERTED WITHIN 1/8" (3mm) OF GROOVE BOTTOM.

**TIP:**

A HELPER IS RECOMMENDED FOR THESE FOLLOWING STEPS.



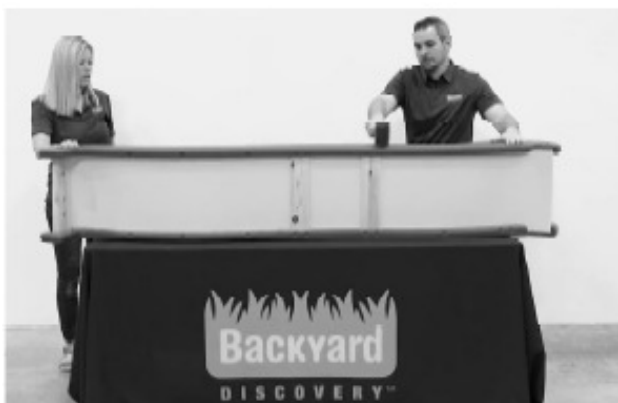
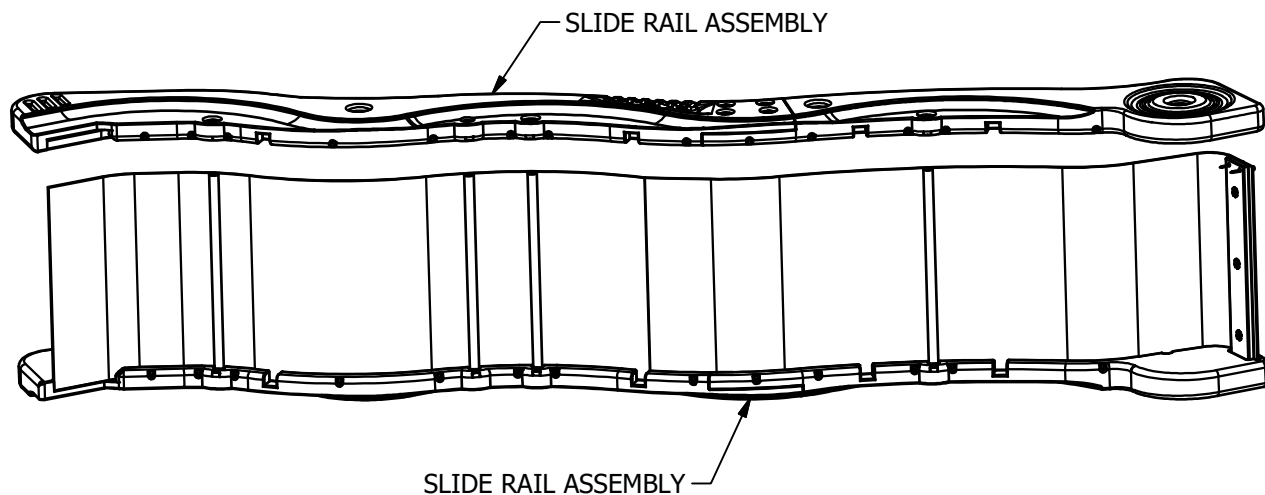
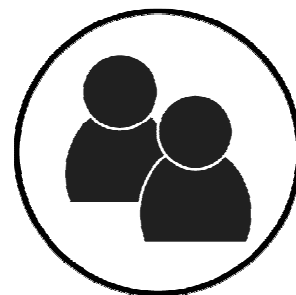


NOTE:

PLACE SECOND SLIDE RAIL ASSEMBLY OVER THE TOP OF THE SLIDE BED AND SLIDE SUPPORT TUBES. INSERT THE SLIDE BED AND SLIDE SUPPORT TUBES INTO THE SLIDE CAVITY. MAKE SURE SLIDE BED IS INSERTED WITHIN 1/8" (3mm) OF GROOVE BOTTOM.

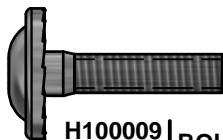


FAILURE TO INSERT SLIDE BED PROPERLY MAY RESULT IN INJURY OR AMPUTATION. EXPOSED SLIDE EDGES CAN BE SHARP AND BECOME A LACERATION HAZARD IF THE SLIDE IS NOT PROPERLY ASSEMBLED.



TIP:

USE A RUBBER Mallet TO FULLY SEAT THE SLIDE BED INTO THE SLIDE CAVITY.



H100009 | BOLT WH 5/16x1 1/4
(x4)



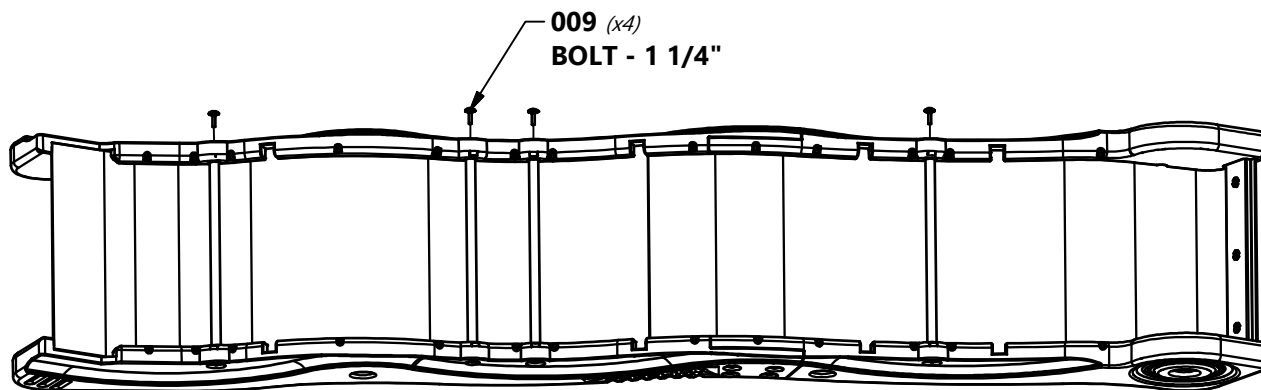
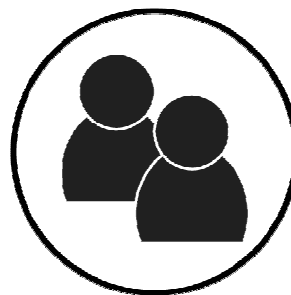
NOTE:

USE 1 1/4" BOLTS TO FASTEN EACH SIDE OF THE SLIDE SUPPORT TUBES.



TIP:

HAVING A HELPER HOLD THE SLIDE ASSEMBLY TOGETHER WHILE YOU FASTEN WILL MAKE IT EASIER TO ASSEMBLE.



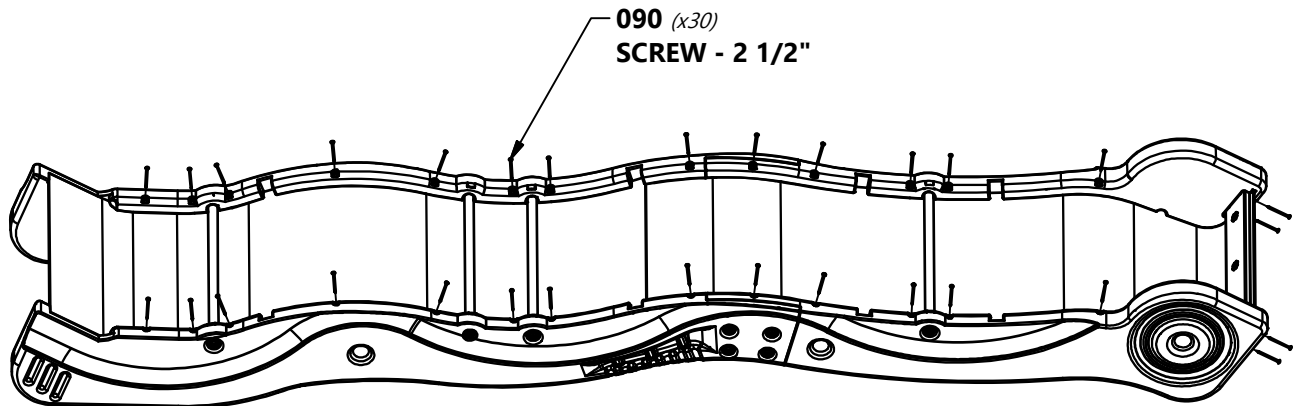


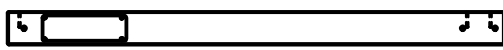
H100090 | SCREW PFH
(x30) | 8x2 1/2"



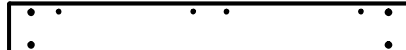
NOTE:

USING AN 1/8" DRILL BIT, DRILL PILOT HOLES IN EACH INDENTATION ALONG EACH SIDE RAIL. THERE SHOULD BE 15 INDENTATIONS ON EACH RAIL. BE SURE TO DRILL THROUGH THE SLIDE RAIL AND THE SLIDE BED. THEN SECURE WITH THE PROVIDED HARDWARE.





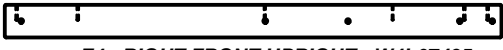
(1) E1 - RIGHT REAR UPRIGHT - W2A02080
1 3/8"x3 3/8"x51 3/4" (36x86x1314)



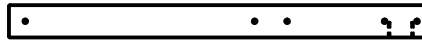
(1) K1 - GROUND BOARD - W4L07489
5/8"x5 1/4"x41 7/8" (16x134x1064)



(1) G1 - SWING BEAM MOUNT - W4L07513
1"x5 1/4"x62 1/8" (24x134x1577)



(1) E4 - RIGHT FRONT UPRIGHT - W4L07495
1 3/8"x3 3/8"x51 3/4" (36x86x1314)



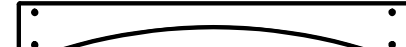
(1) E9 - RIGHT FRONT UPRIGHT - W4L07512
1 3/8"x3 3/8"x43 1/2" (36x86x1104)



(1) K5 - RIGHT CENTER WALL RAIL - W4L07496
5/8"x5 1/4"x62 3/4" (16x134x1593)



(1) E7 - RIGHT REAR UPRIGHT - W4L07510
1 3/8"x3 3/8"x43 1/2" (36x86x1104)



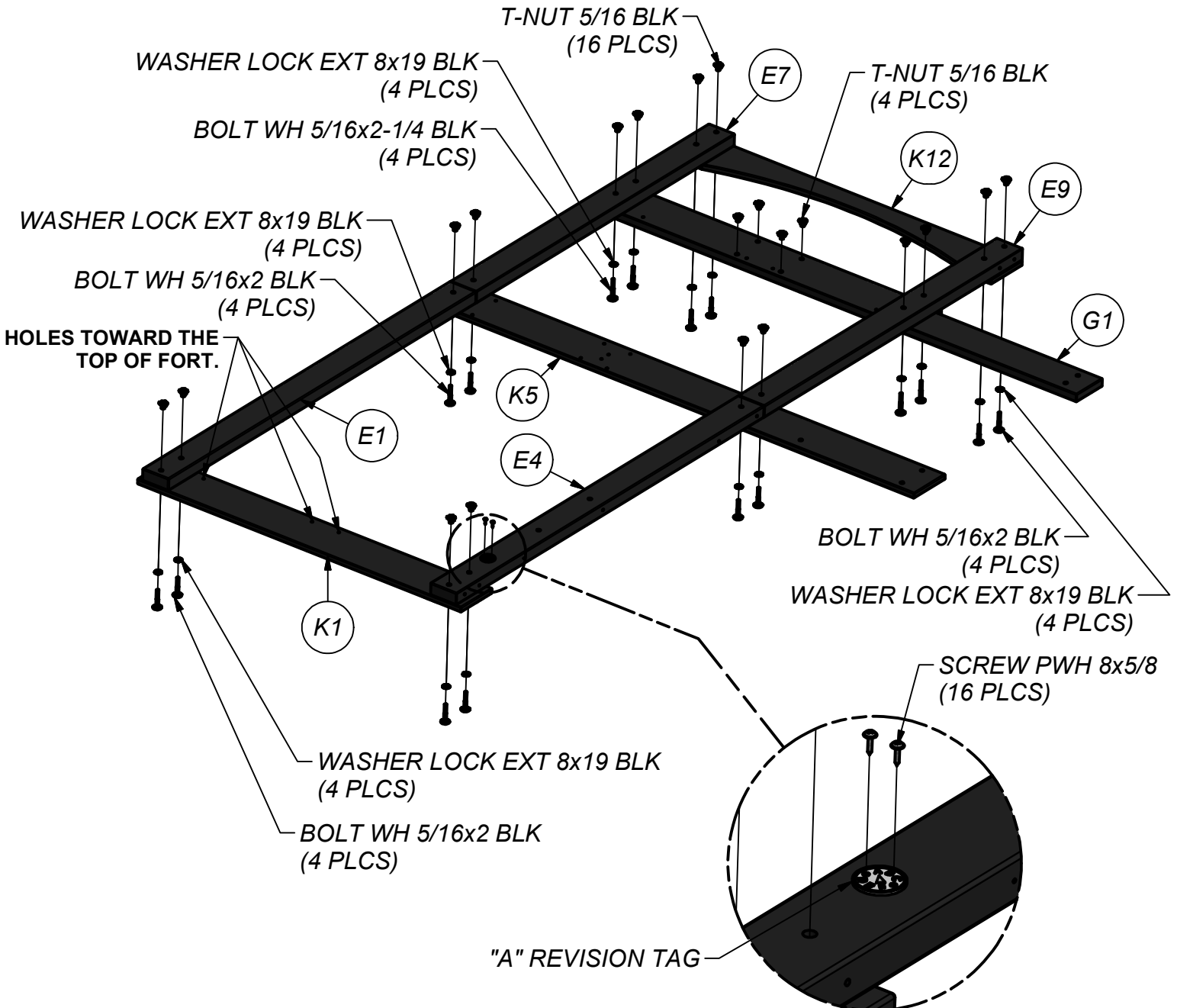
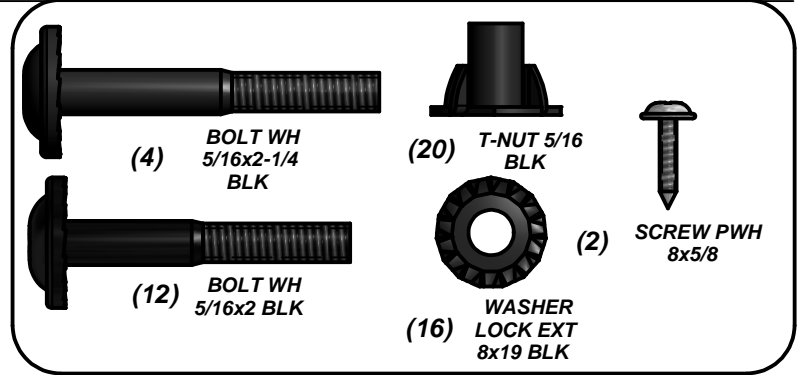
(1) K12 - ARCHED WALL RAIL - W4L07579
5/8"x5 1/4"x40 5/8" (16x134x1032)

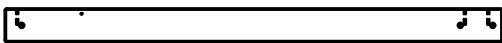


(1) SQ - "A" REVISION TAG - A100314

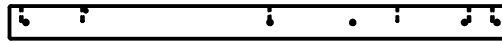
STEP 1

INSTALL T-NUTS INTO PARTS BEFORE ASSEMBLY OF PARTS.





(1) E2 - LEFT REAR UPRIGHT - W4L07493
1 3/8"x3 3/8"x51 3/4" (36x86x1314)



(1) E3 - LEFT FRONT UPRIGHT - W4L07494
1 3/8"x3 3/8"x51 3/4" (36x86x1314)



(1) E6 - LEFT REAR UPRIGHT - W4L07509
1 3/8"x3 3/8"x43 1/2" (36x86x1104)



(1) E8 - LEFT FRONT UPRIGHT - W4L07511
1 3/8"x3 3/8"x43 1/2" (36x86x1104)



(1) K2 - GROUND BOARD - W4L07490
5/8"x5 1/4"x41 7/8" (16x134x1064)



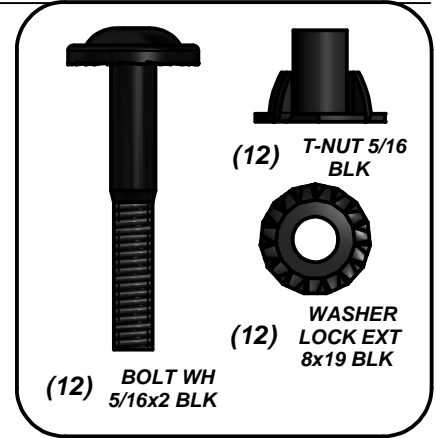
(1) K8 - LEFT CENTER WALL RAIL - W4L07499
5/8"x5 1/4"x40 5/8" (16x134x1032)



(1) K13 - ARCHED WALL RAIL - W4L07580
5/8"x5 1/4"x40 5/8" (16x134x1032)

STEP 2

INSTALL T-NUTS INTO PARTS BEFORE ASSEMBLY OF PARTS.

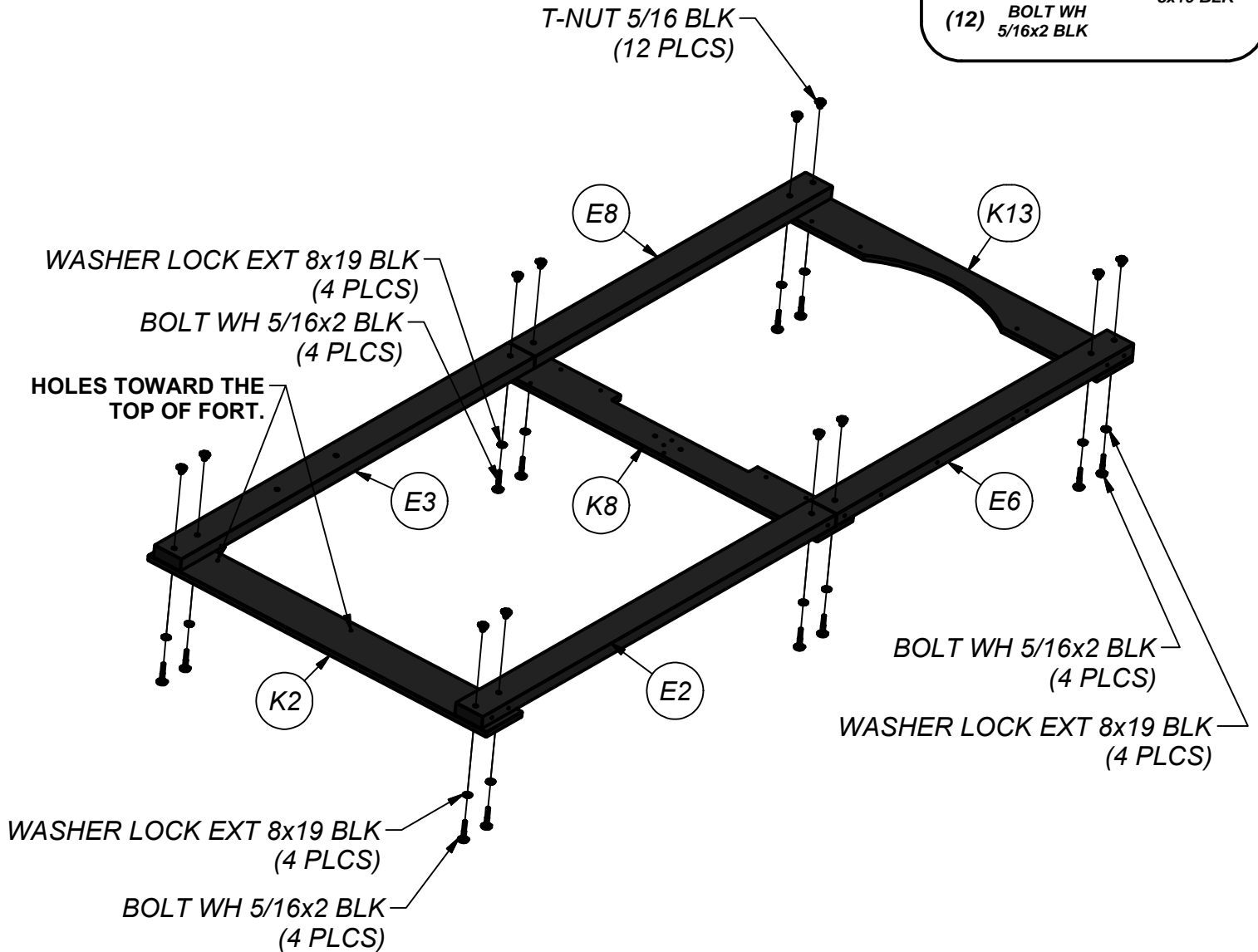


(12) T-NUT 5/16 BLK

(12) WASHER LOCK EXT 8x19 BLK

(12) BOLT WH 5/16x2 BLK

T-NUT 5/16 BLK (12 PLCS)



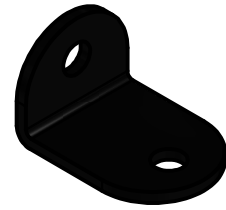
(1) **J1 - PORCH GROUND BOARD - W4L07504**
1"x2 3/8"x40 1/2" (24x60x1030)

(1) **K4 - GROUND BOARD - W4L07492**
5/8"x5 1/4"x40 1/2" (16x134x1030)

(1) **M1 - WALL RAIL - W4L07590**
5/8"x3 3/8"x40 1/2" (16x86x1030)

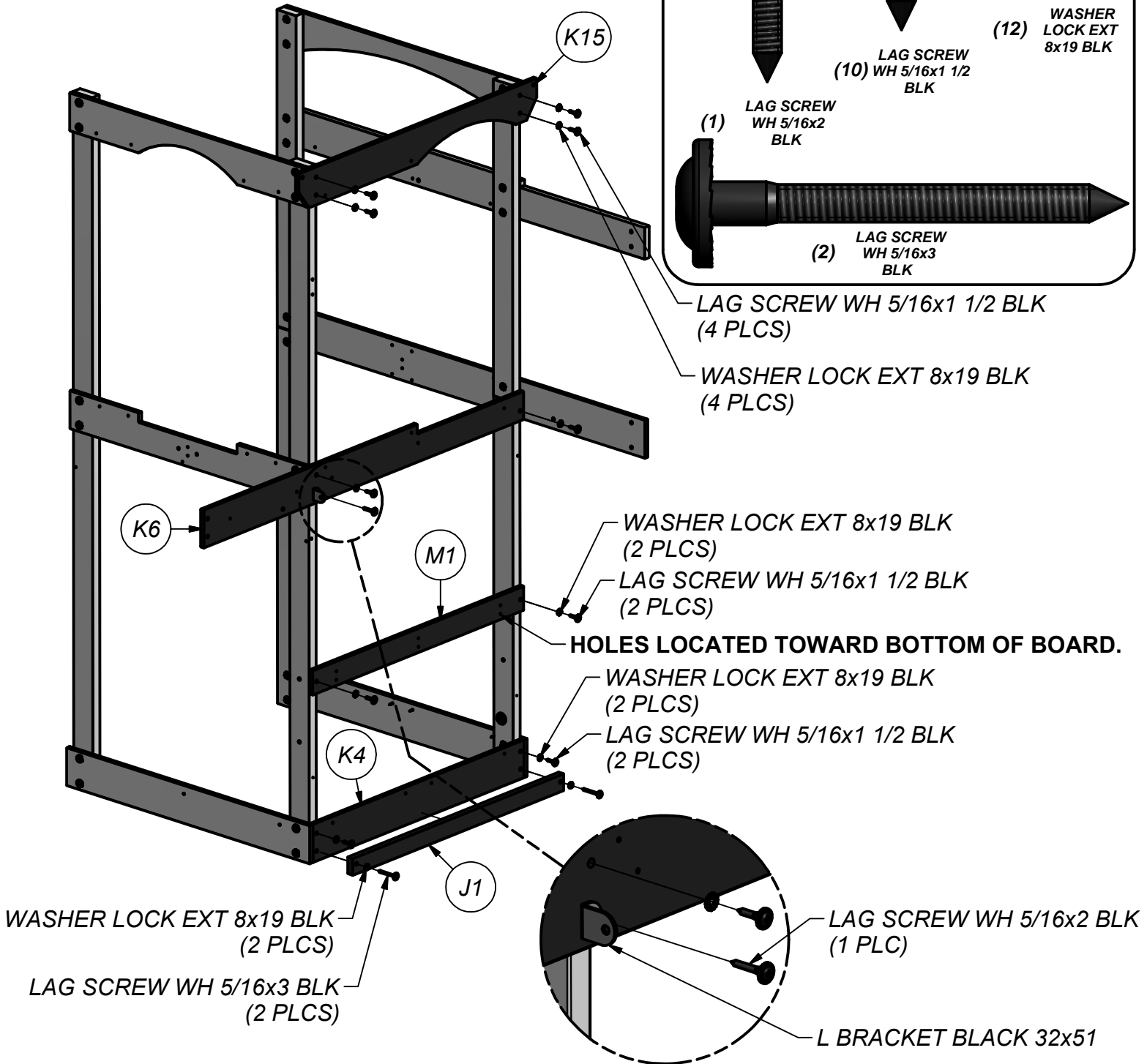
(1) **K6 - FRONT CENTER WALL RAIL - W4L07497**
5/8"x5 1/4"x61 3/8" (16x134x1560)

(1) **K15 - ANGLED WALL RAIL - W4L07582**
5/8"x5 1/4"x45 3/4" (16x134x1162)



(1) - **L BRACKET BLACK 32x51 - A4M00710**

STEP 3

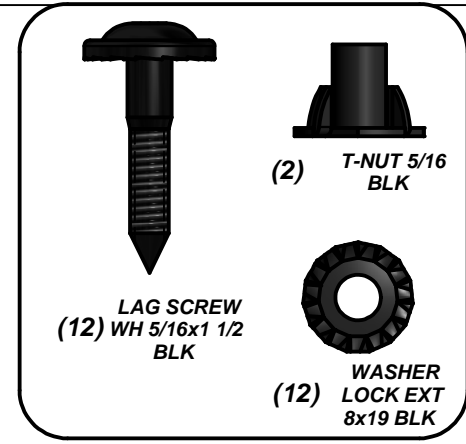
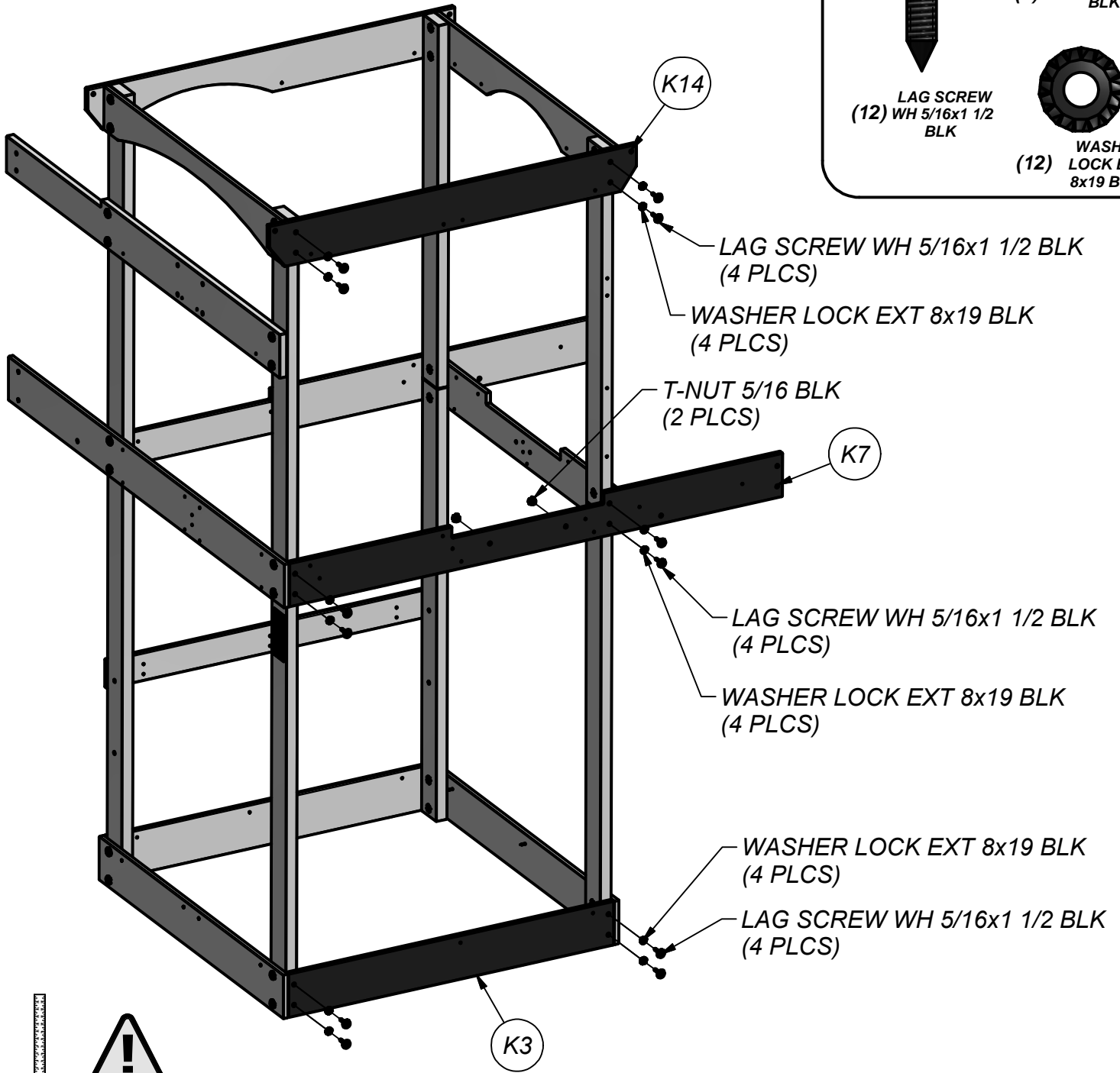


(1) **K3 - GROUND BOARD - W4L07491**
5/8"x5 1/4"x40 1/2" (16x134x1030)

(1) **K7 - REAR CENTER WALL RAIL - W4L07498**
5/8"x5 1/4"x61 3/8" (16x134x1560)

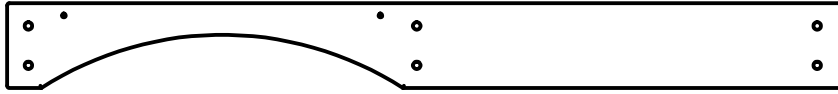
(1) **K14 - ANGLED WALL RAIL - W4L07581**
5/8"x5 1/4"x45 3/4" (16x134x1162)

STEP 4

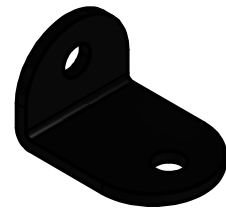




(1) L2 - WALL RAIL - W4L07515
5/8"x4 3/8"x22 7/8" (16x112x582)

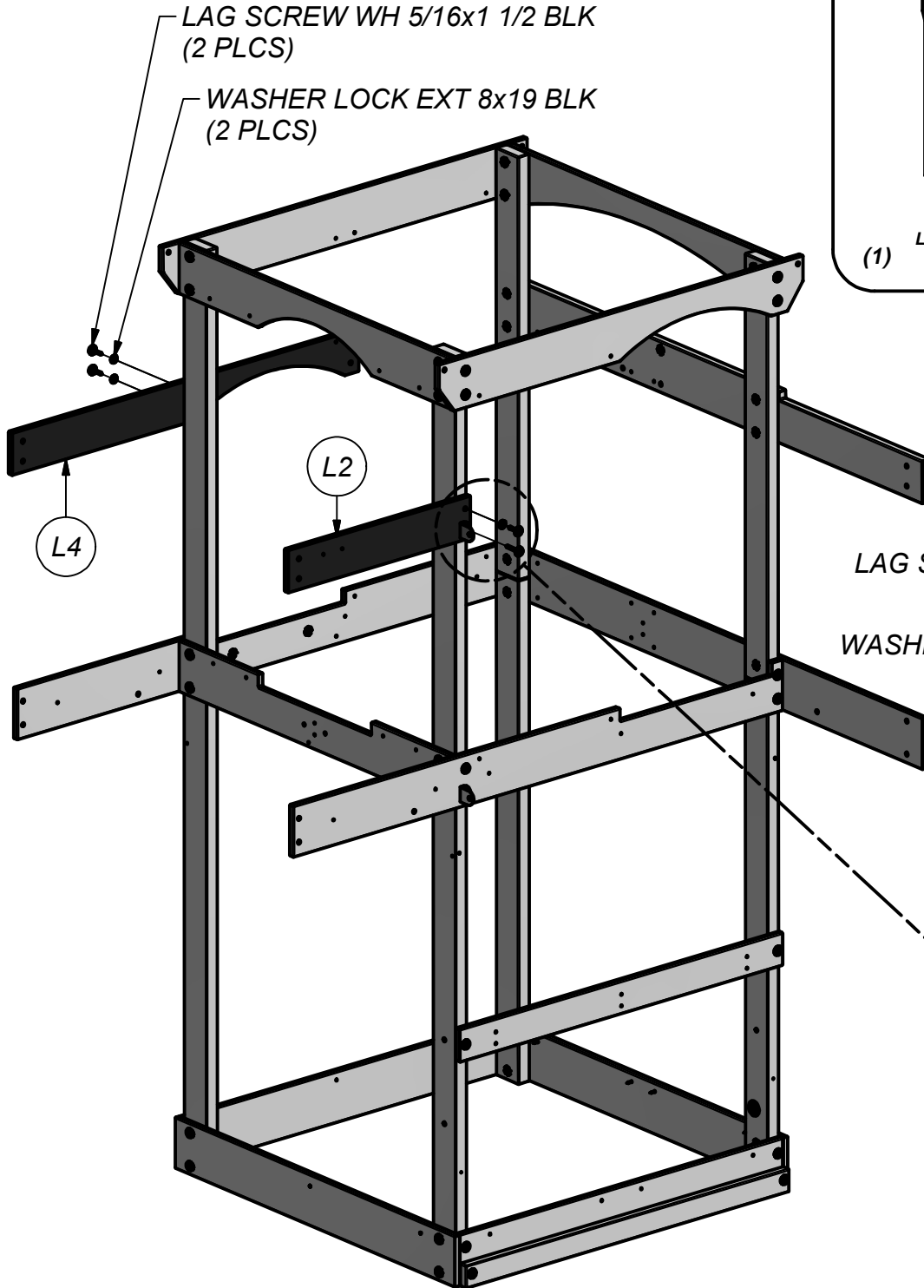


(1) L4 - ARCHED WALL RAIL - W4L07577
5/8"x4 3/8"x43 1/2" (16x112x1106)



(1) - L BRACKET BLACK 32x51 - A4M00710

STEP 5

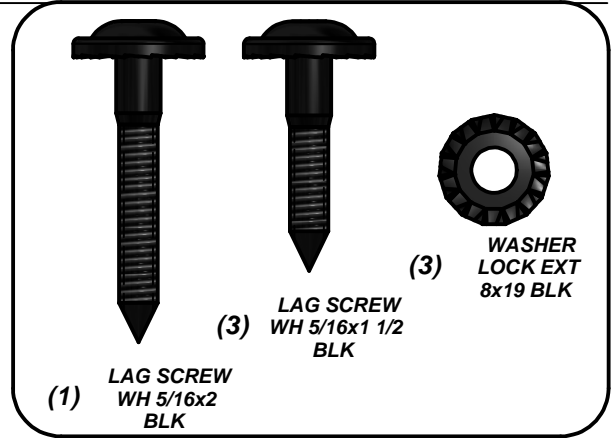


LAG SCREW WH 5/16x1 1/2 BLK
(2 PLCS)

WASHER LOCK EXT 8x19 BLK
(2 PLCS)

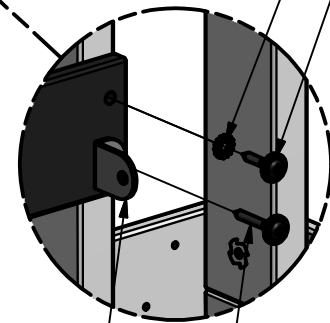
L2

L4



LAG SCREW WH 5/16x1 1/2 BLK
(1 PLC)

WASHER LOCK EXT 8x19 BLK
(1 PLC)

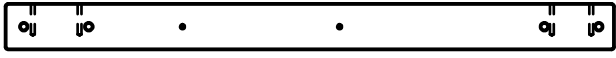


L BRACKET BLACK 32x51

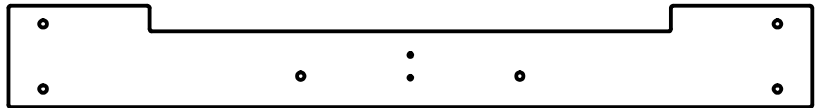
LAG SCREW WH 5/16x2 BLK
(1 PLC)



(1) **F1 - RIGHT BALCONY UPRIGHT - W4L07506**
1 3/8"x2 3/8"x31 3/4" (36x60x805)



(1) **F2 - LEFT BALCONY UPRIGHT - W4L07507**
1 3/8"x2 3/8"x31 3/4" (36x60x805)

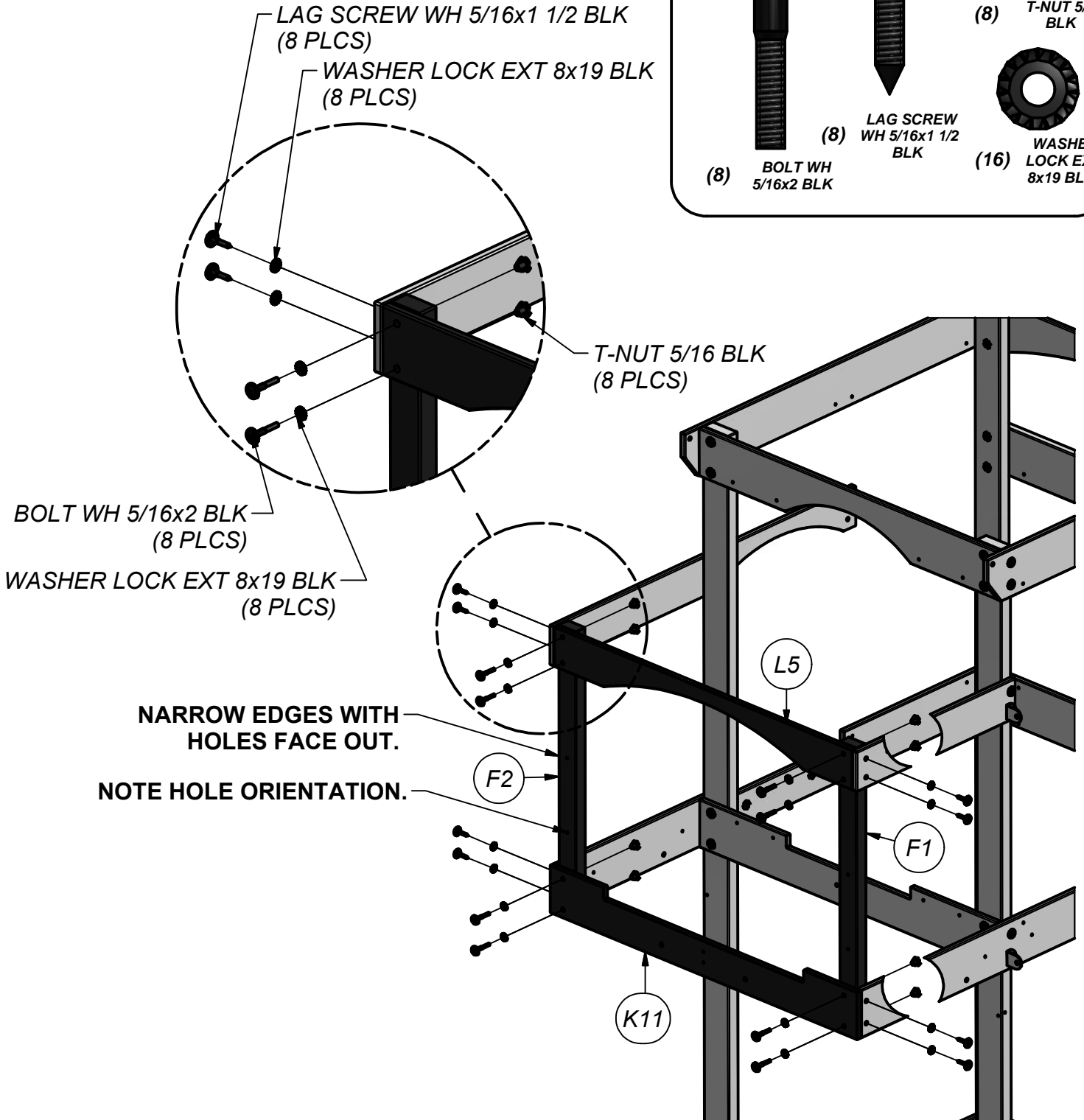
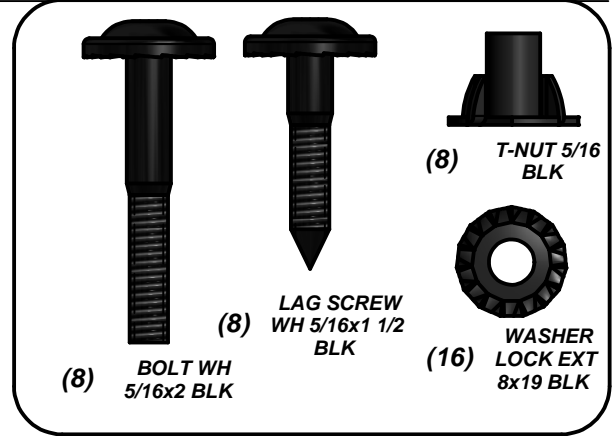


(1) **K11 - LEFT SIDE WALL BOARD - W4L07508**
5/8"x5 1/4"x41 7/8" (16x134x1064)



(1) **L5 - ARCHED WALL RAIL - W4L07578**
5/8"x4 3/8"x40 5/8" (16x112x1032)

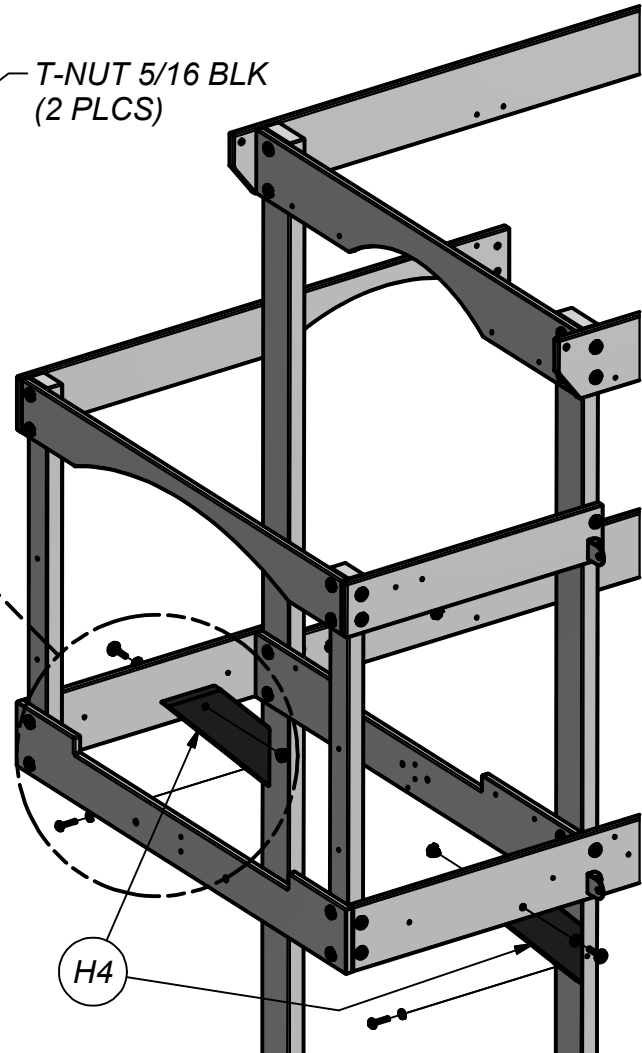
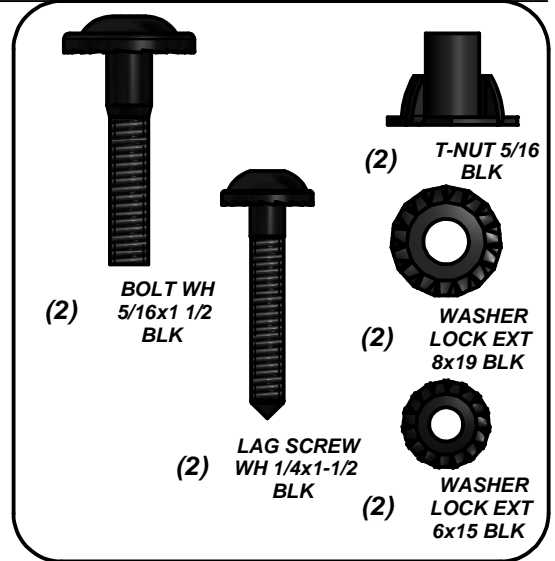
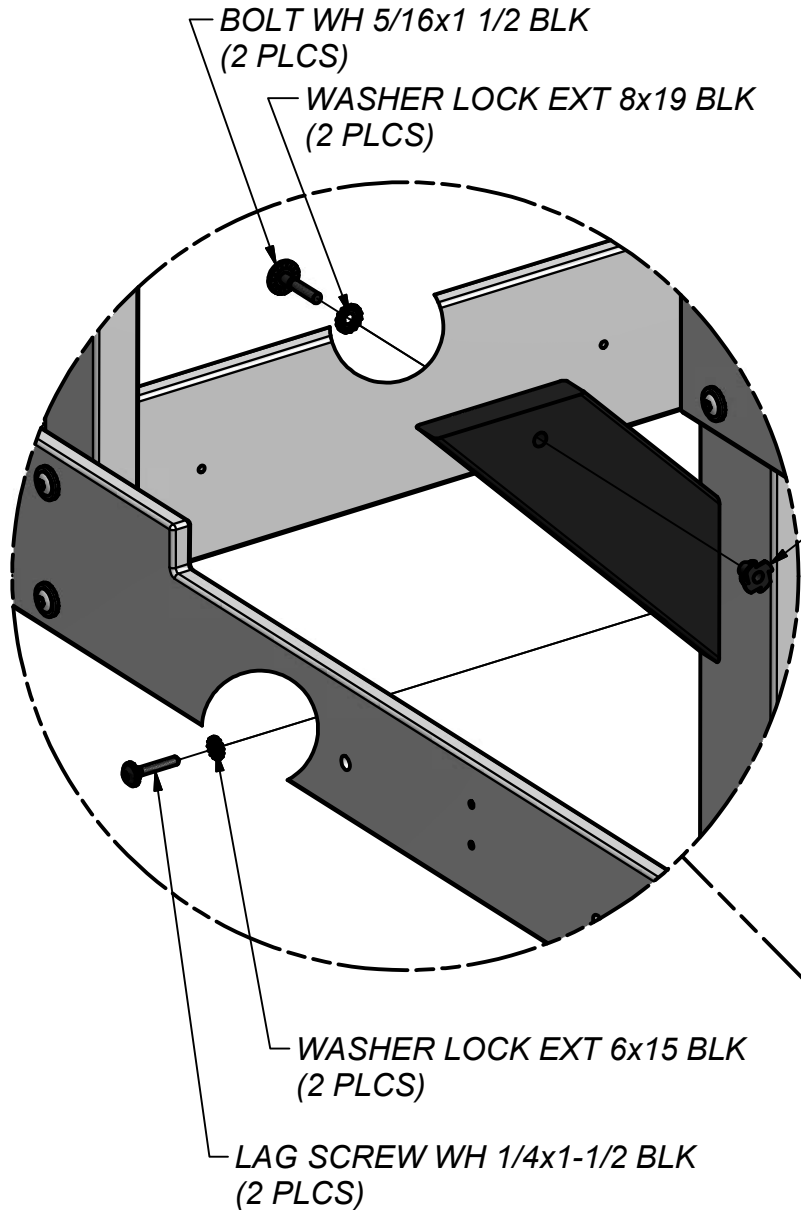
STEP 6
INSTALL T-NUTS INTO PARTS BEFORE
ASSEMBLY OF PARTS.





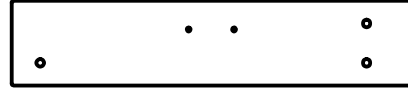
(2) **H4 - DECK BRACE - W4L07616**
 1"x3 3/8"x12 3/4" (24x86x325)

STEP 7
INSTALL T-NUTS INTO PARTS BEFORE ASSEMBLY OF PARTS.



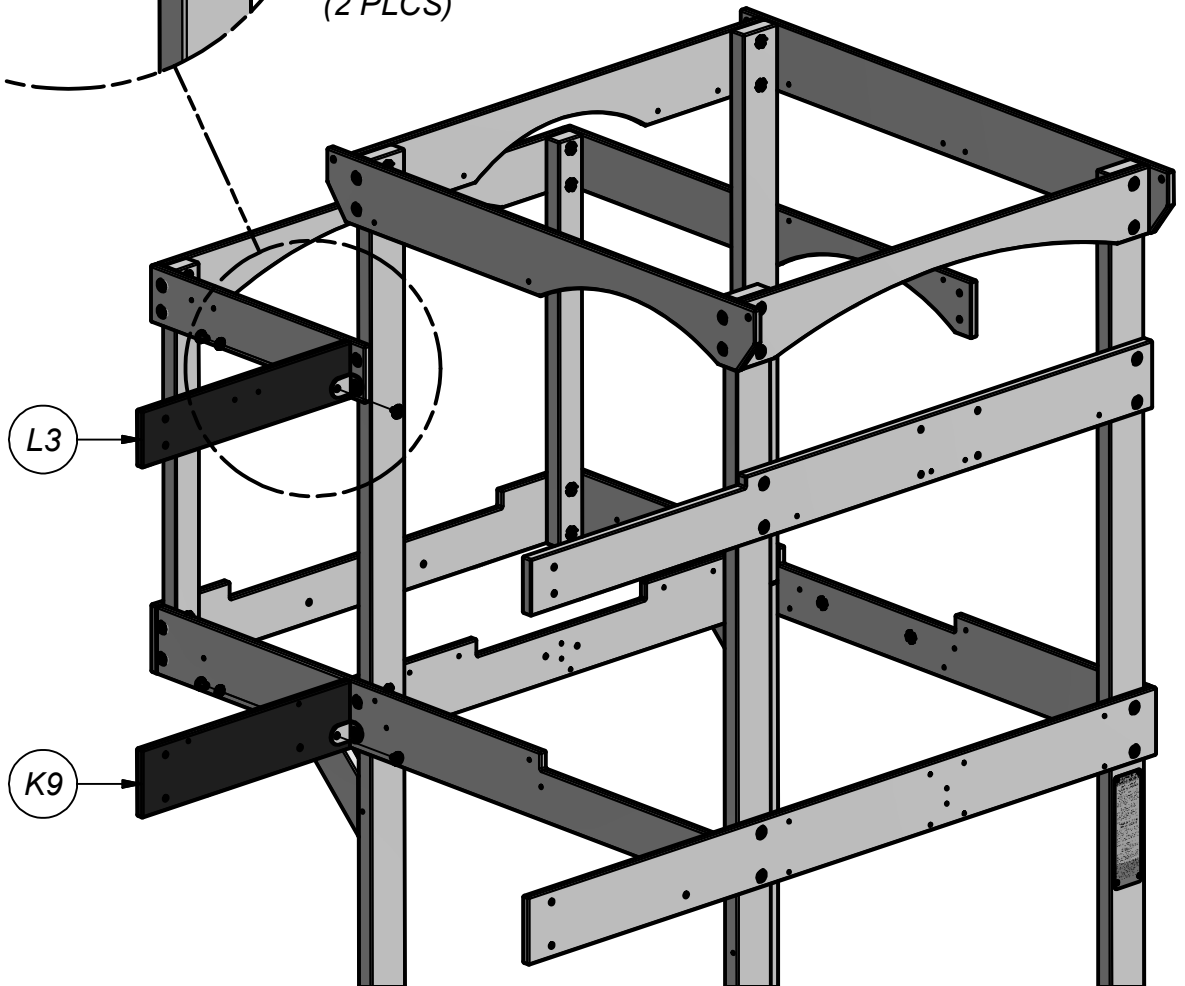
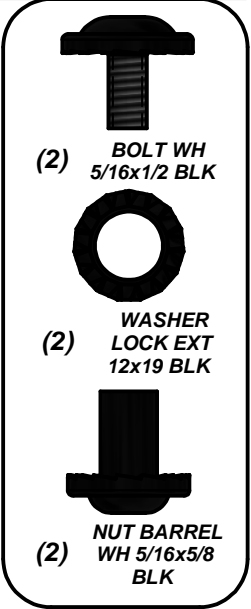
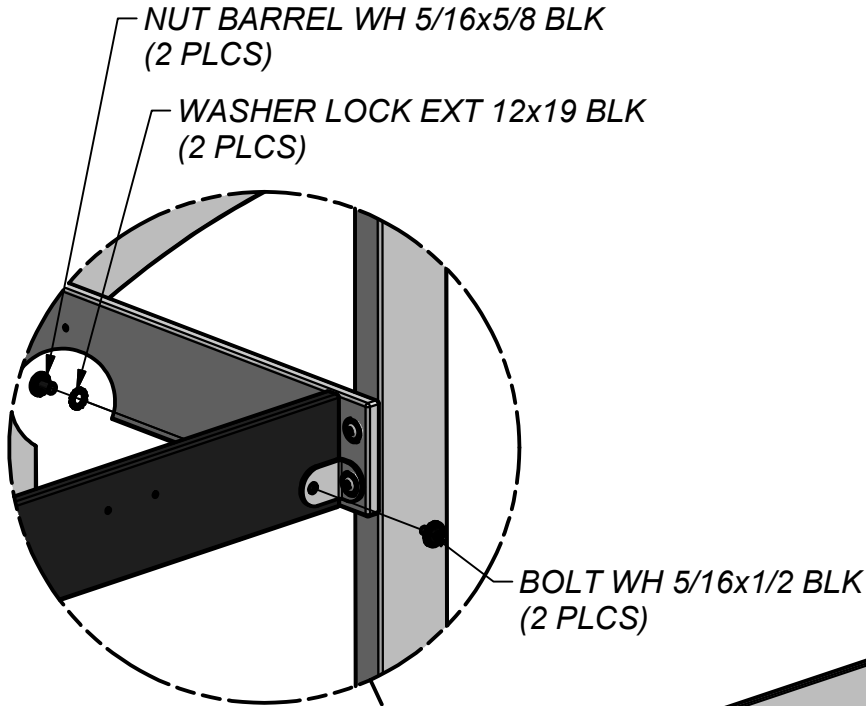


(1) **K9 - LEFT BALCONY WALL RAIL - W4L07500**
5/8"x5 1/4"x20 3/4" (16x134x528)



(1) **L3 - WALL RAIL - W4L07576**
5/8"x4 3/8"x20 7/8" (16x112x529)

STEP 8



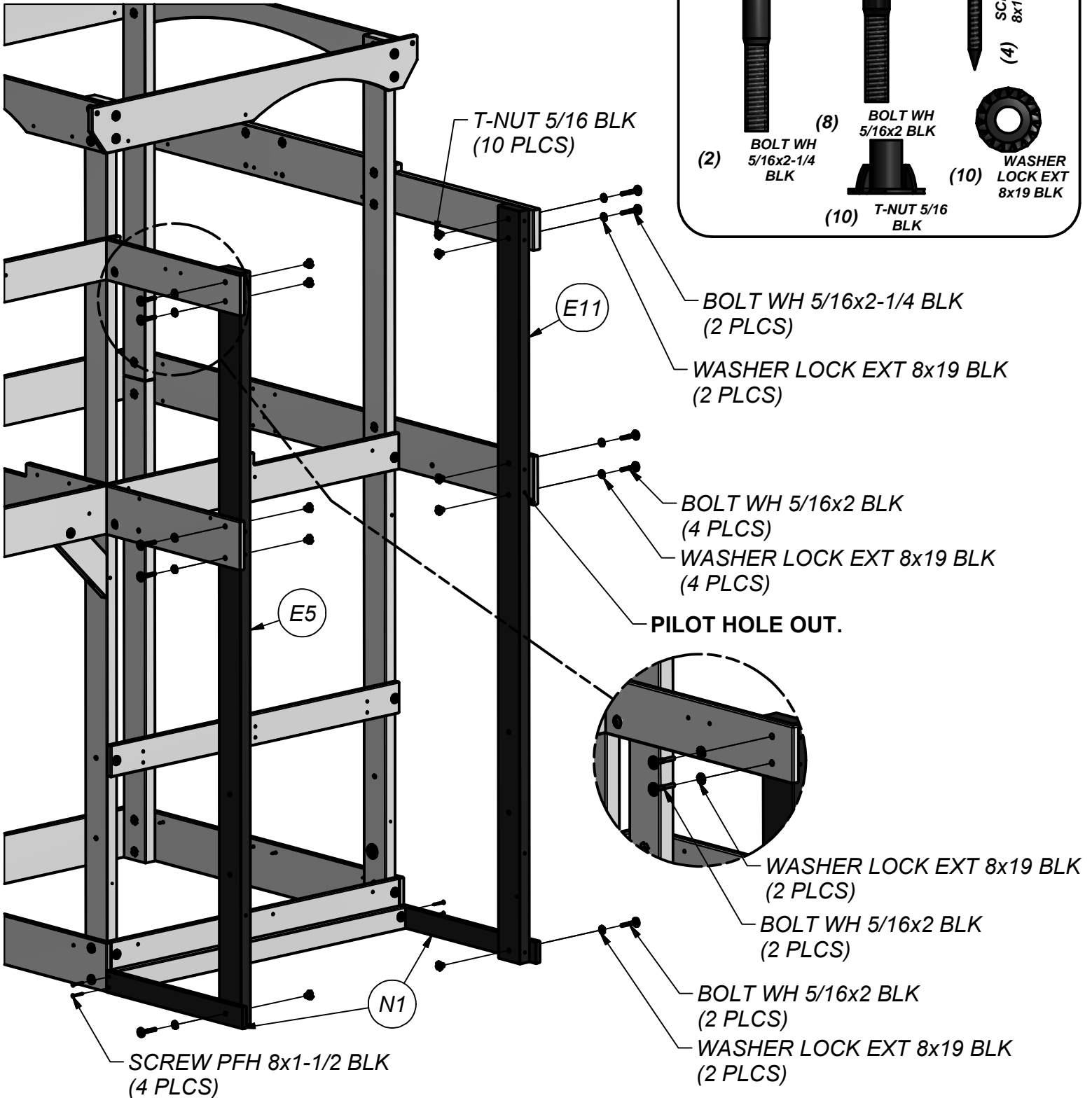
(1) E5 - RIGHT FRONT BALCONY UPRIGHT - W4L07502
1 3/8"x3 3/8"x80 3/4" (36x86x2052)

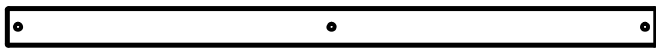
(1) E11 - RIGHT FRONT BALCONY UPRIGHT - W4L07673
1 3/8"x3 3/8"x80 3/4" (36x86x2052)

(2) N1 - PORCH GROUND BOARD - W4L07503
5/8"x2 3/8"x21 1/8" (16x60x537)

STEP 9

INSTALL T-NUTS INTO PARTS BEFORE ASSEMBLY OF PARTS.

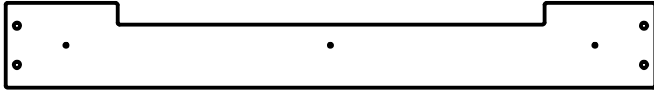




(1) J2 - PORCH GROUND BOARD - W4L07505
1"x2 3/8"x40 5/8" (24x60x1032)

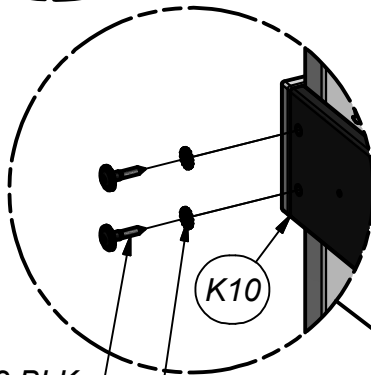
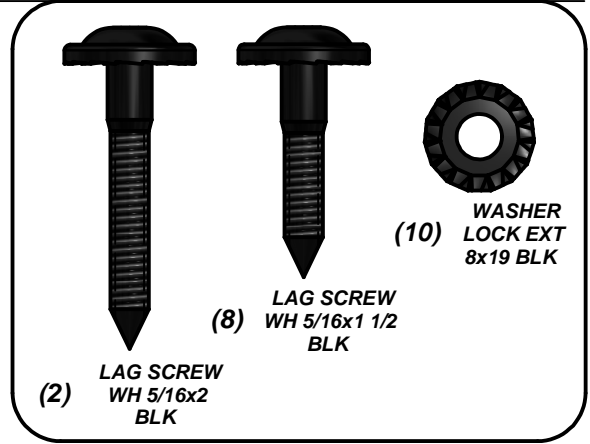
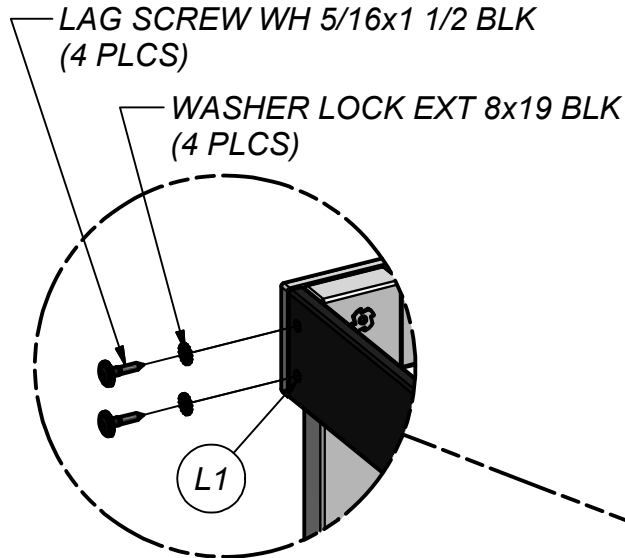


(1) L1 - ARCHED WALL RAIL - W4L07514
5/8"x4 3/8"x40 5/8" (16x112x1032)



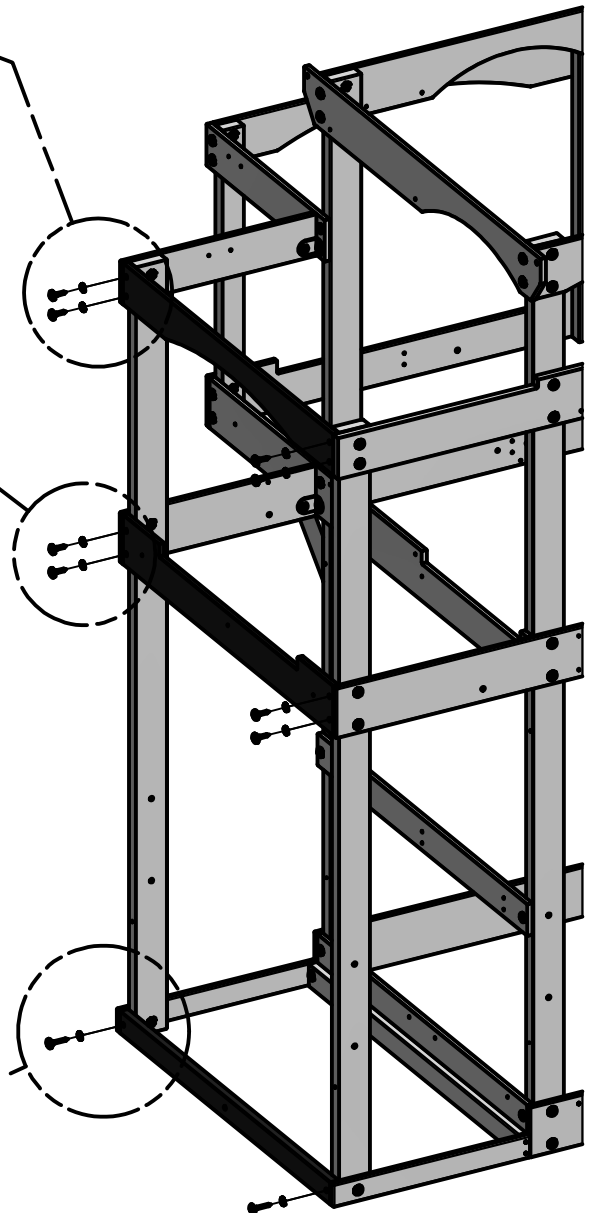
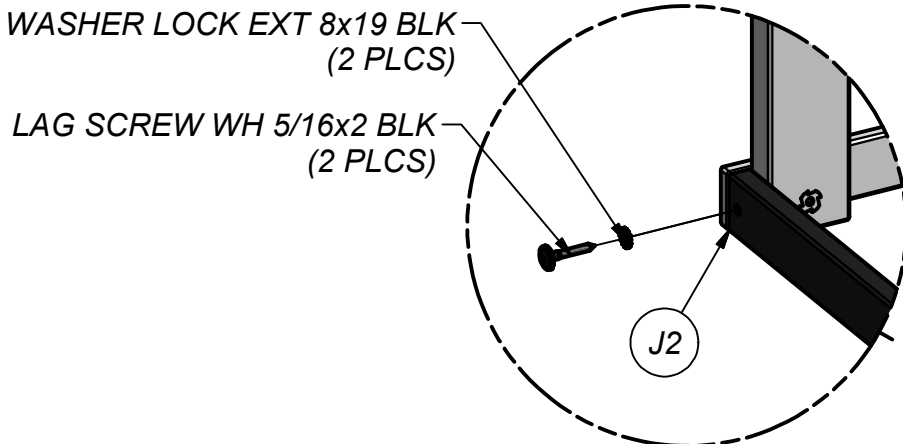
(1) K10 - FRONT BALCONY WALL RAIL - W4L07501
5/8"x5 1/4"x40 5/8" (16x134x1032)

STEP 10



LAG SCREW WH 5/16x1 1/2 BLK (4 PLCS)

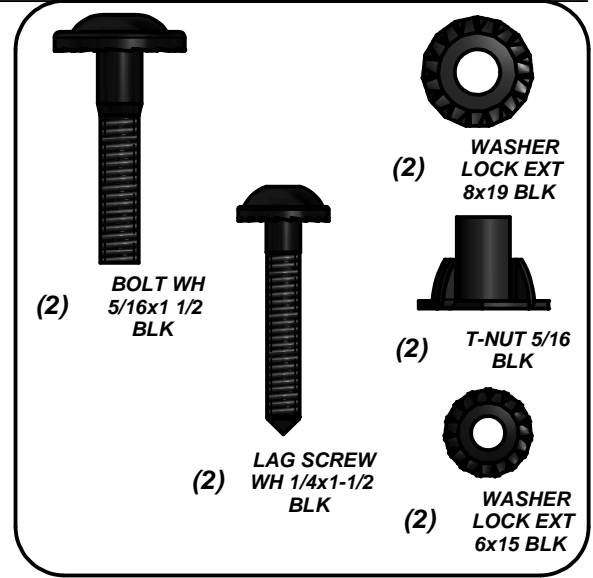
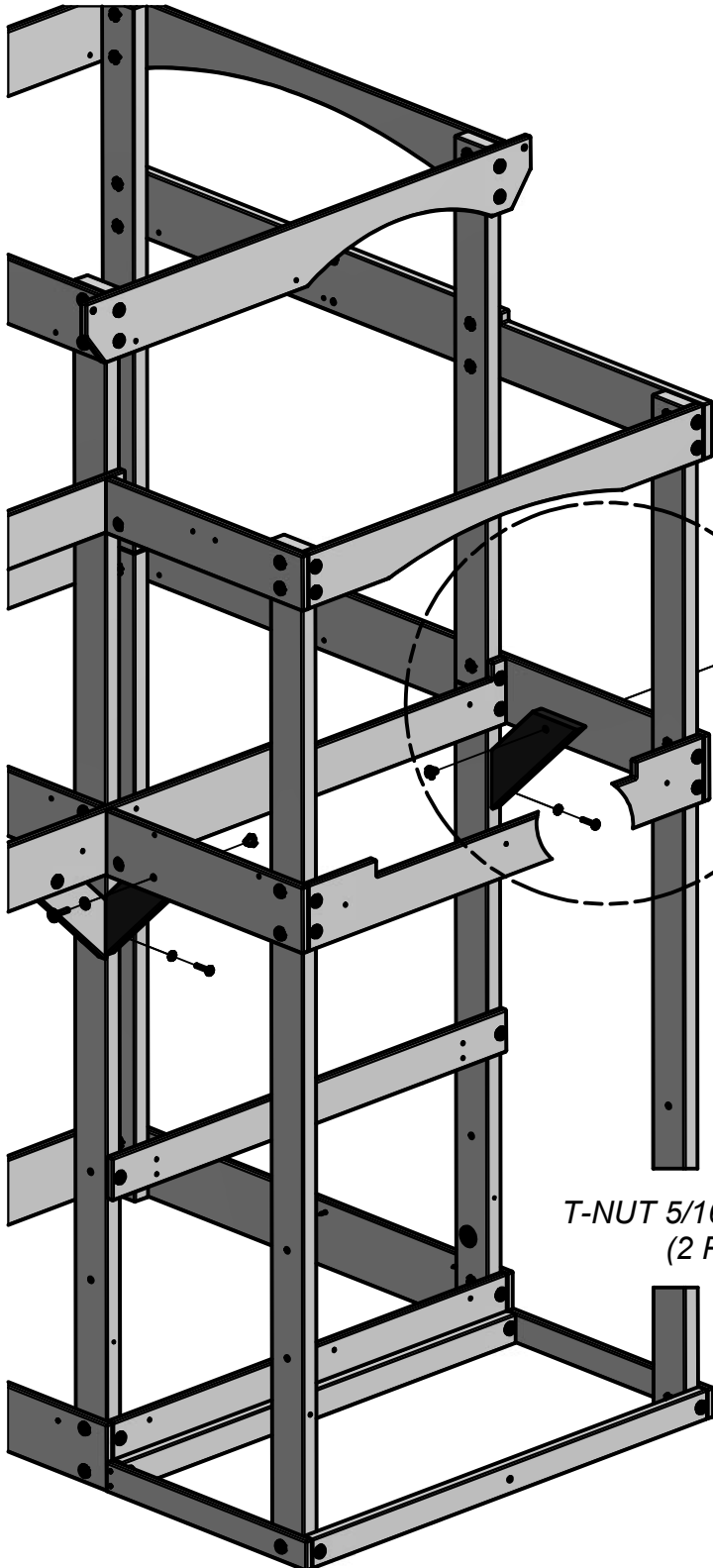
WASHER LOCK EXT 8x19 BLK (4 PLCS)





(2) **H4 - DECK BRACE - W4L07616**
 1"x3 3/8"x12 3/4" (24x86x325)

STEP 11
INSTALL T-NUTS INTO PARTS BEFORE ASSEMBLY OF
PARTS.



BOLT WH 5/16x1 1/2 BLK
 (2 PLCS)

WASHER LOCK EXT 8x19 BLK
 (2 PLCS)

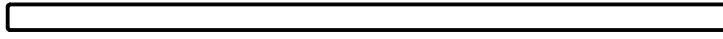
T-NUT 5/16 BLK
 (2 PLCS)

WASHER LOCK EXT 6x15 BLK
 (2 PLCS)

LAG SCREW WH 1/4x1-1/2 BLK
 (2 PLCS)

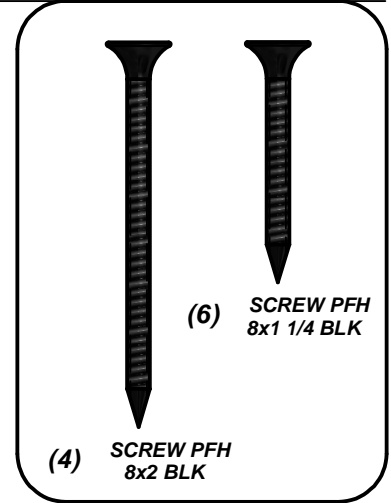
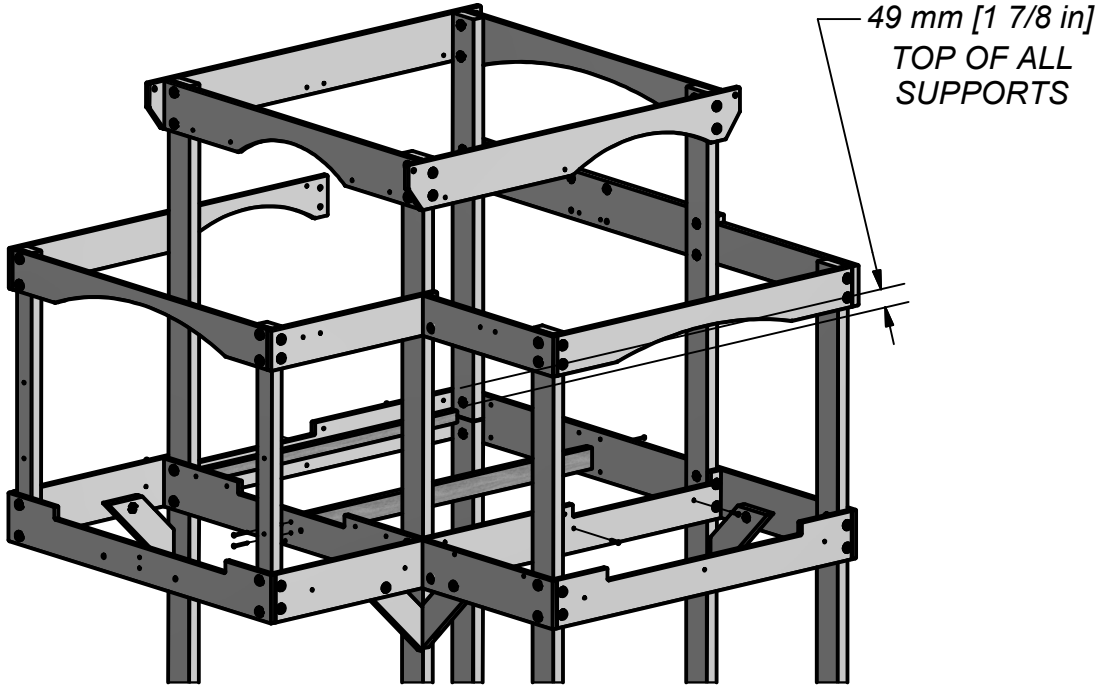


(1) J8 - FLOOR JOIST - W4L07602
1"x2 3/8"x40 1/2" (24x60x1029)



(2) T1 - SUPPORT BOARD - W4L07599
1"x1 3/8"x37 5/8" (24x34x957)

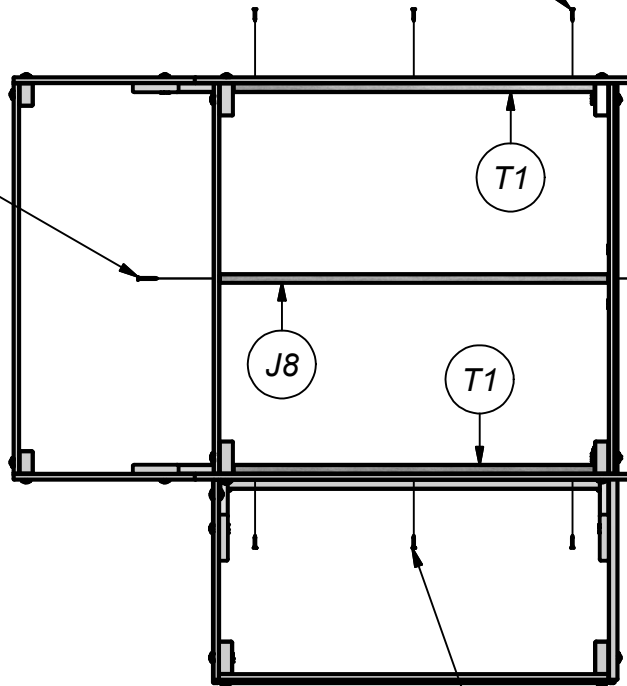
STEP 12



SCREW PFH 8x1 1/4 BLK
(3 PLCS)

SCREW PFH 8x2 BLK
(2 PLCS)

SCREW PFH 8x2 BLK
(2 PLCS)



TOP VIEW

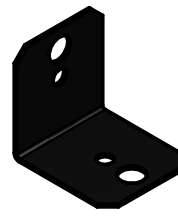
SCREW PFH 8x1 1/4 BLK
(3 PLCS)



(1) **J9 - FLOOR JOIST - W4L07603**
 1"x2 3/8"x20 1/4" (24x60x513)

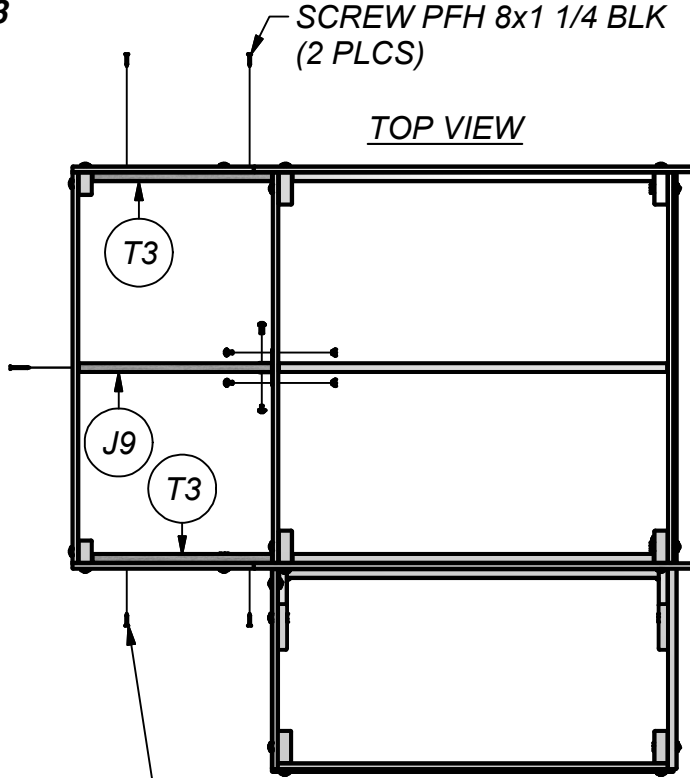


(2) **T3 - SUPPORT BOARD - W4L07601**
 1"x1 3/8"x18 3/4" (24x34x477)

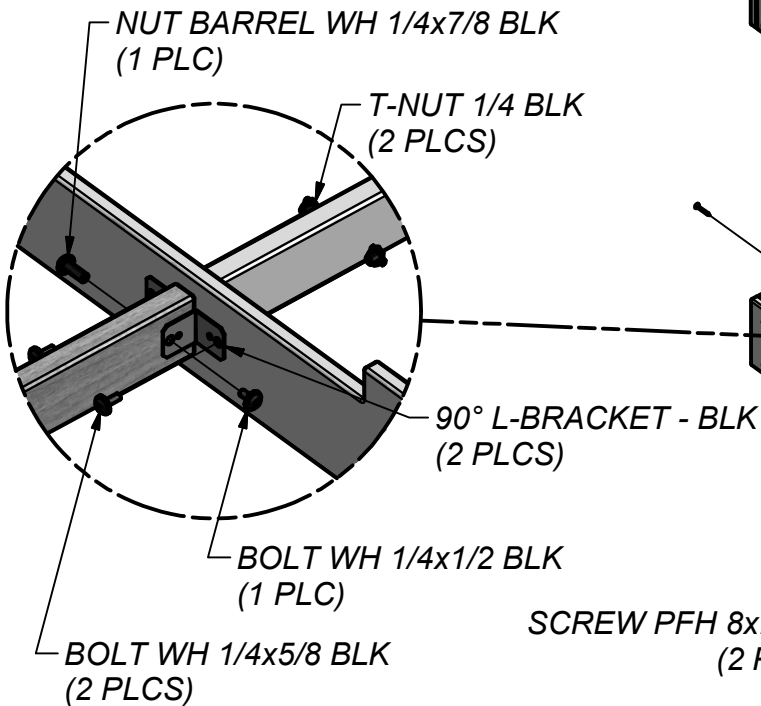
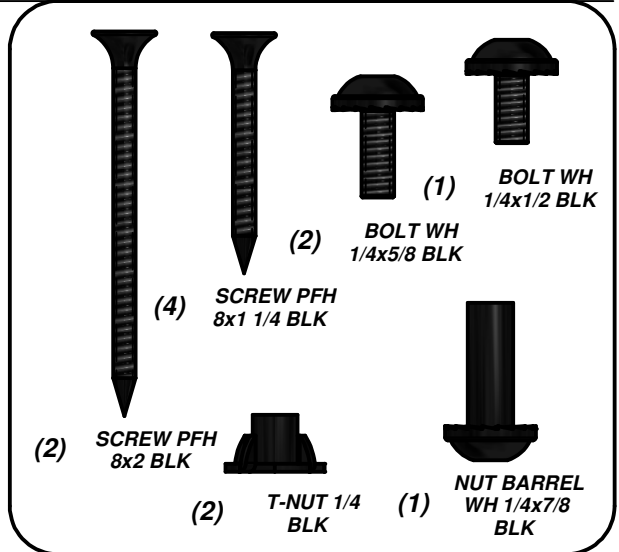


(2) - **90° L-BRACKET - BLK - A4M00555**

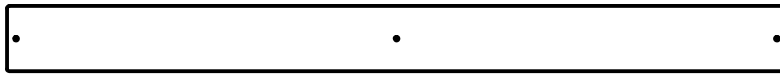
STEP 13



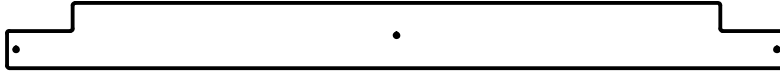
SCREW PFH 8x1 1/4 BLK (2 PLCS)



SCREW PFH 8x2 BLK (2 PLCS)

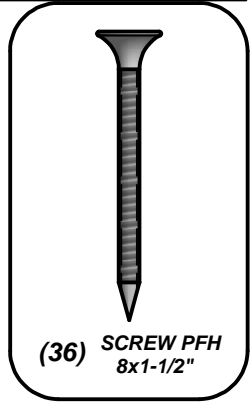
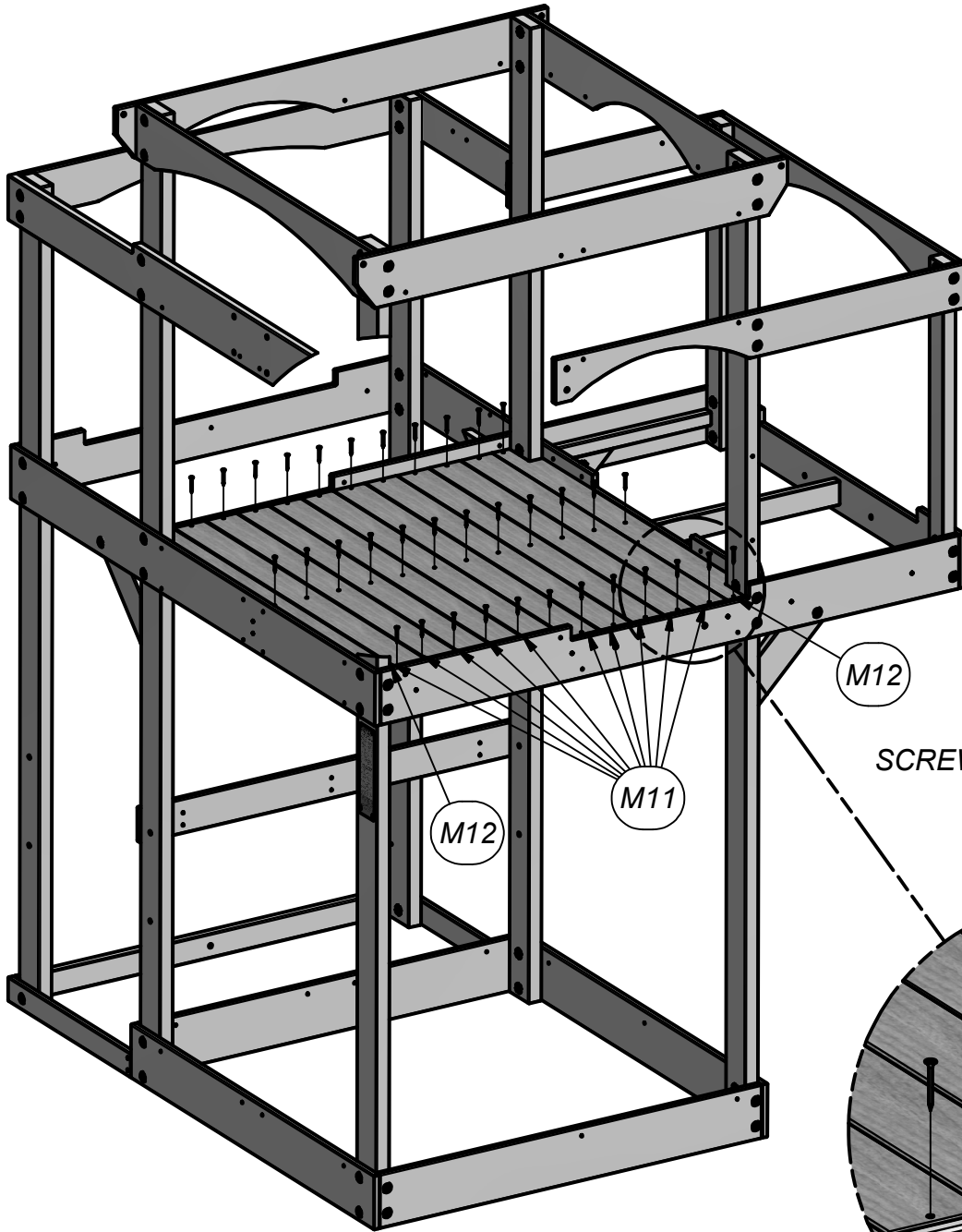


(10) M11 - FLOOR BOARD - W4L07610
5/8"x3 3/8"x40 5/8" (16x86x1031)

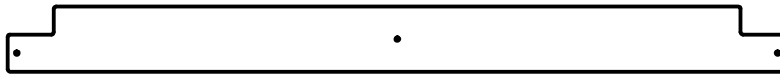


(2) M12 - FLOOR BOARD - W4L07611
5/8"x3 3/8"x40 5/8" (16x86x1031)

STEP 14



SCREW PFH 8x1-1/2"
(36 PLCS)

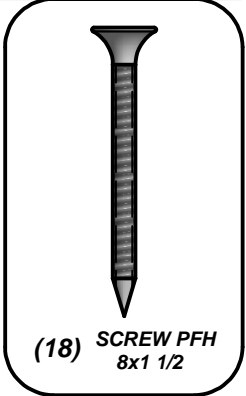
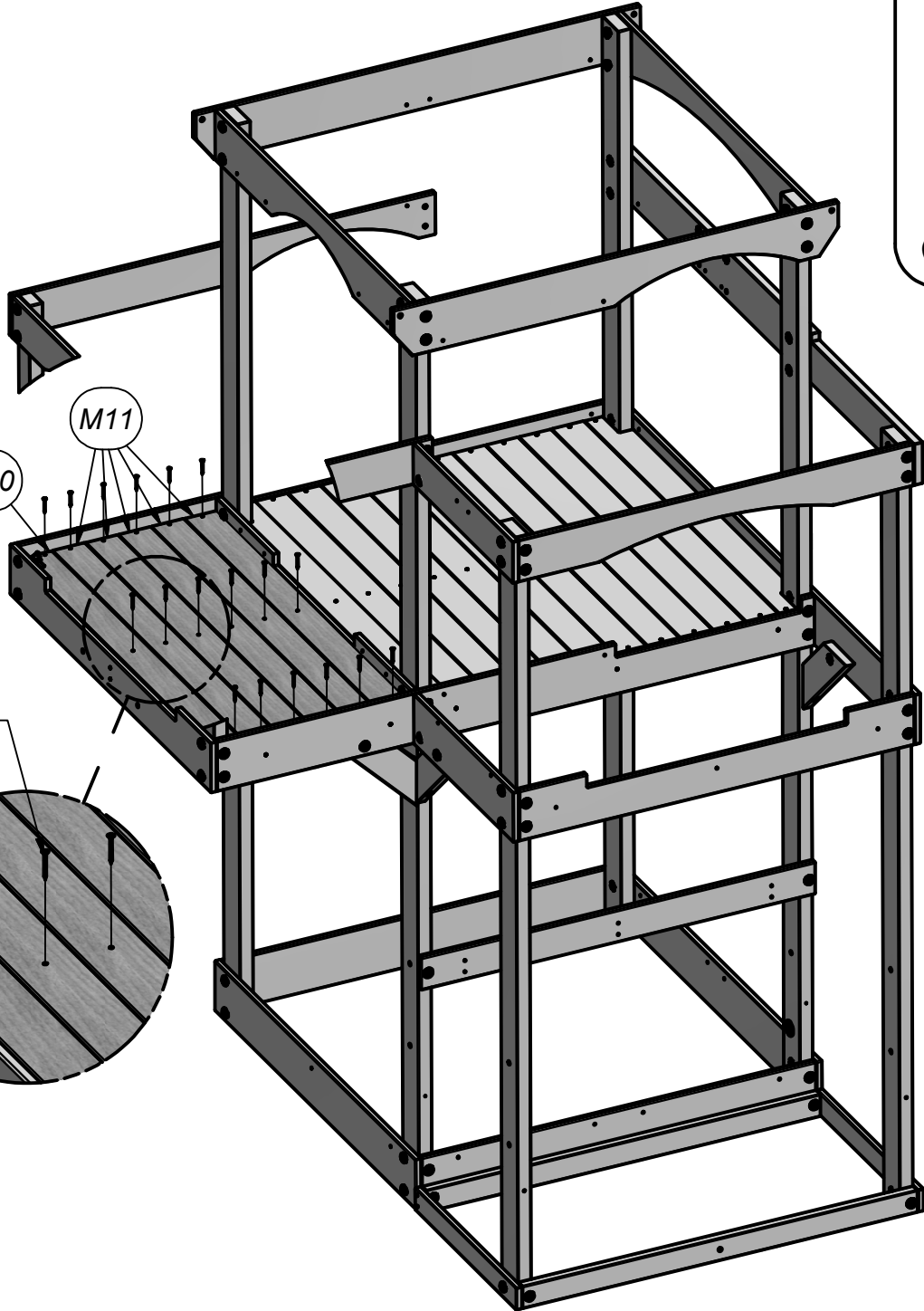


(1) M10 - FLOOR BOARD - W4L07609
5/8"x3 3/8"x40 5/8" (16x86x1031)



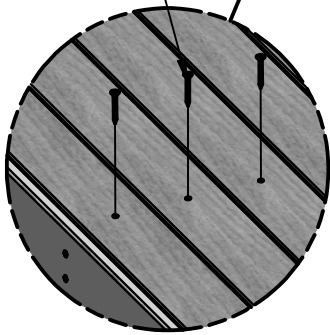
(5) M11 - FLOOR BOARD - W4L07610
5/8"x3 3/8"x40 5/8" (16x86x1031)

STEP 15



(18) SCREW PFH
8x1 1/2

SCREW PFH 8x1 1/2
(18 PLCS)



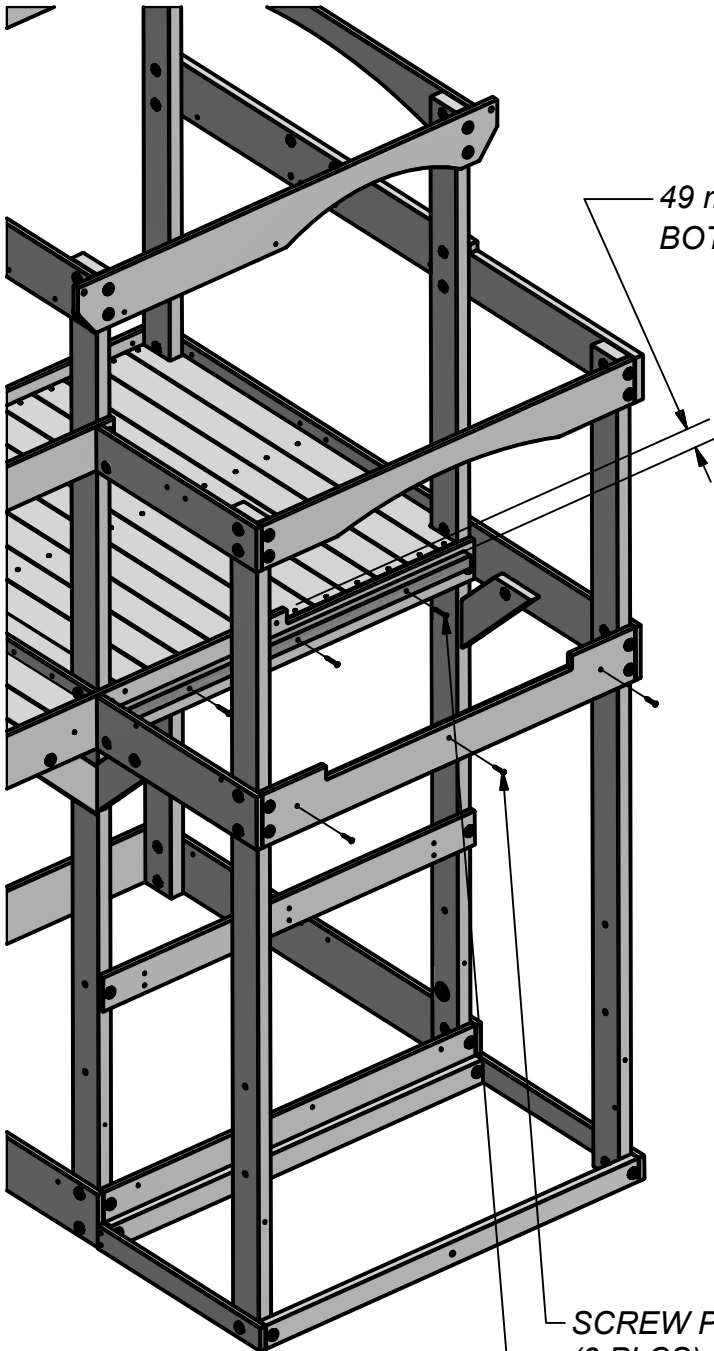


(1) T1 - SUPPORT BOARD - W4L07599
1"x1 3/8"x37 5/8" (24x34x957)

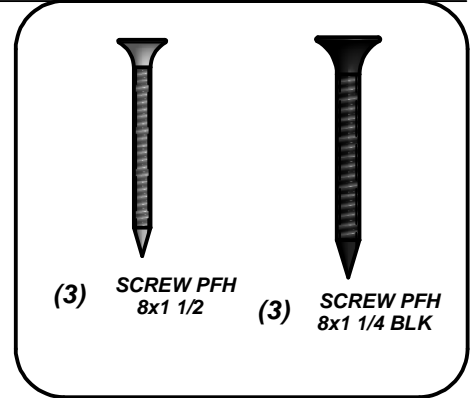


(1) T2 - SUPPORT BOARD - W4L07600
1"x1 3/8"x37 3/4" (24x34x959)

STEP 16



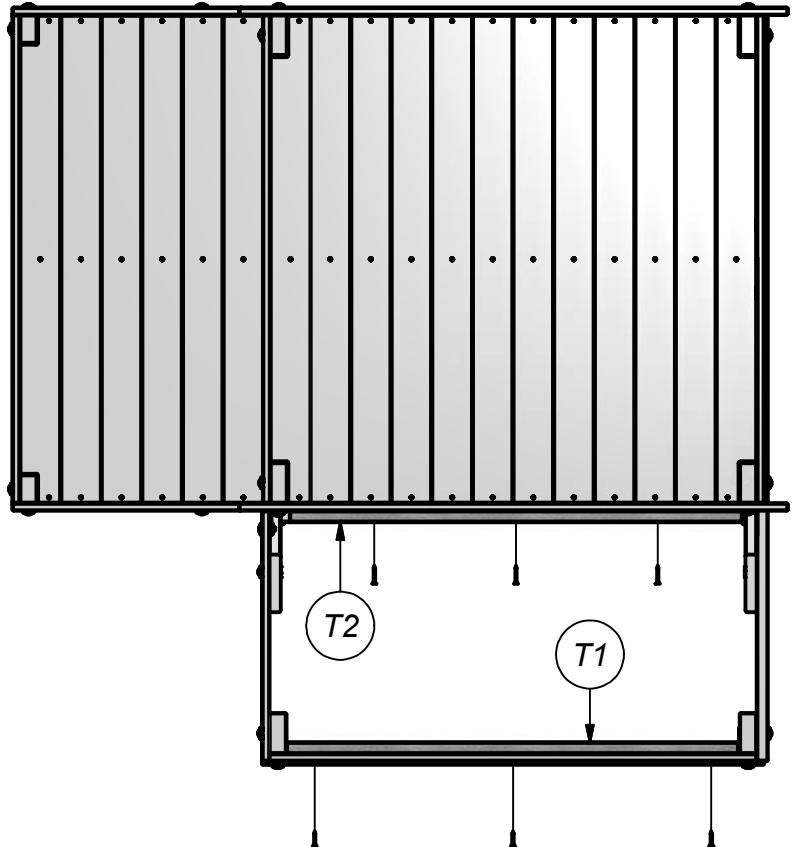
49 mm [1 7/8 in]
BOTH SUPPORTS



(3) SCREW PFH
8x1 1/2

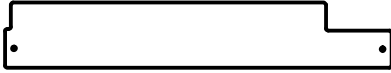
(3) SCREW PFH
8x1 1/4 BLK

TOP VIEW



SCREW PFH 8x1 1/4 BLK
(3 PLCS)

SCREW PFH 8x1 1/2
(3 PLCS)



(1) **M8 - FLOOR BOARD - W4L07607**
5/8"x3 3/8"x20 1/8" (16x86x512)

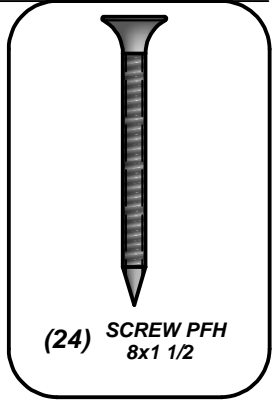
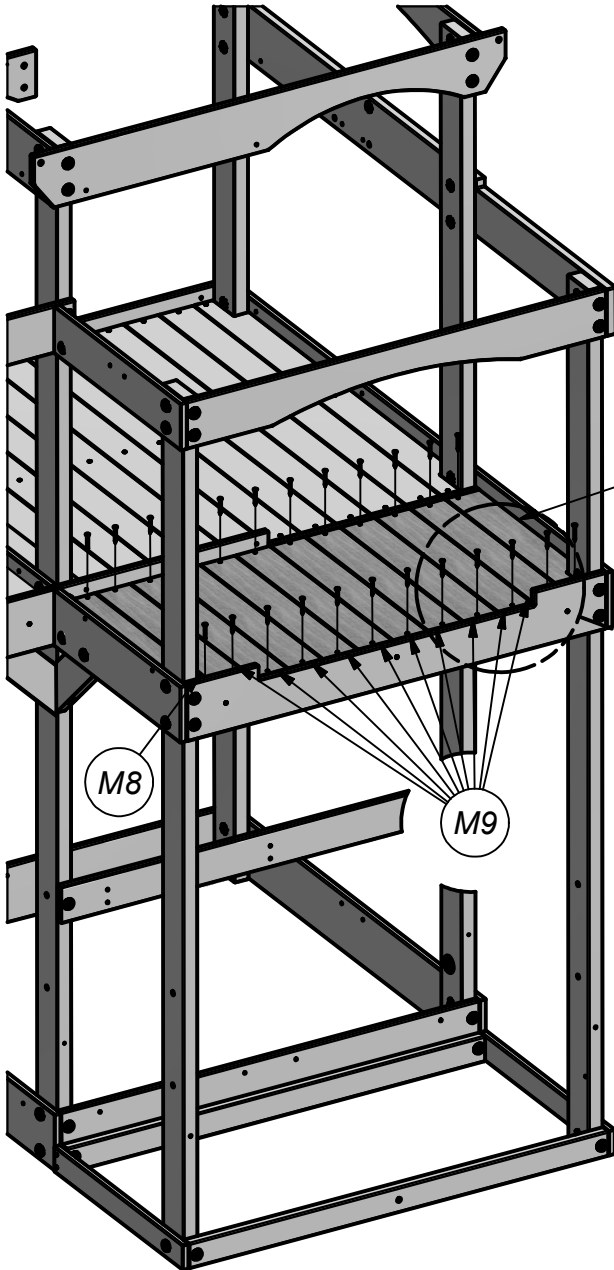


(10) **M9 - FLOOR BOARD - W4L07608**
5/8"x3 3/8"x20 1/8" (16x86x512)



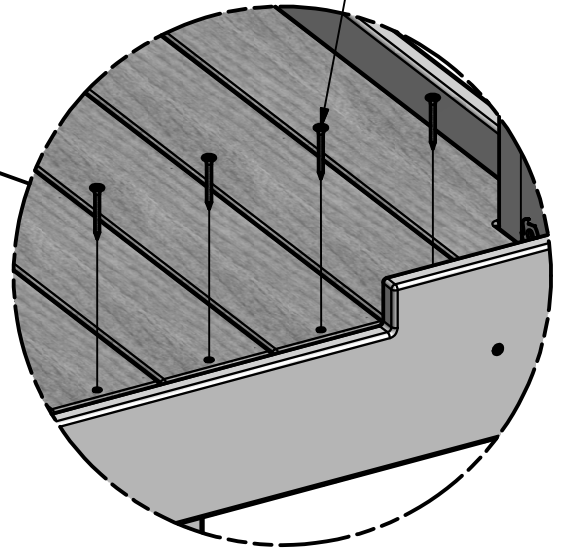
(1) **M13 - FLOOR BOARD - W4L07671**
5/8"x3 3/8"x20 1/8" (16x86x512)

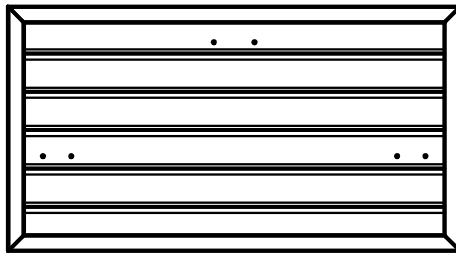
STEP 17



(24) **SCREW PFH**
8x1 1/2

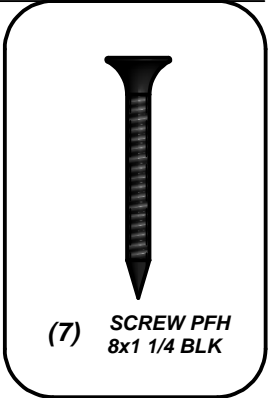
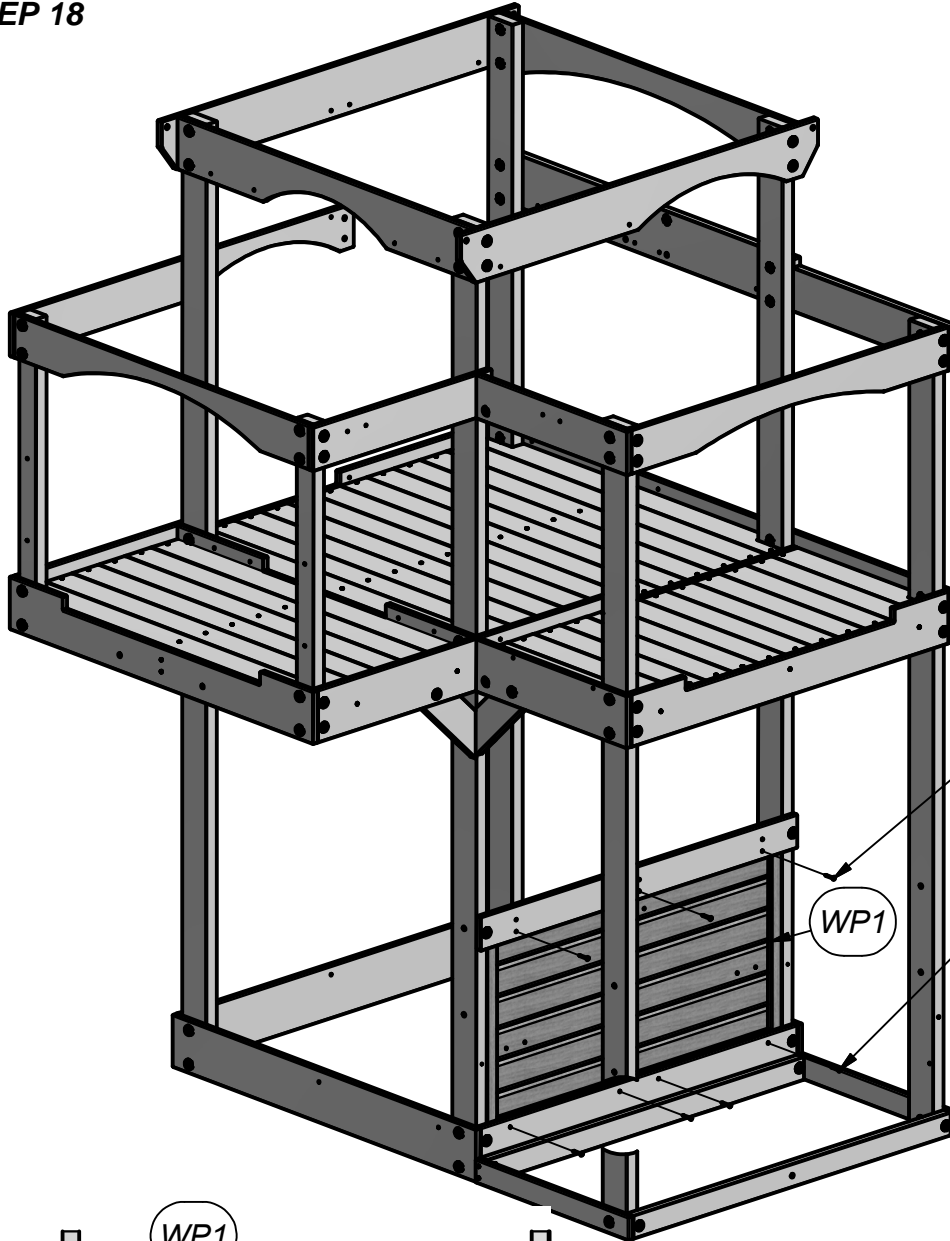
SCREW PFH 8x1 1/2
(24 PLCS)





(1) WP1 - FRONT WALL PANEL - W2A02082
1"x20 3/8"x37 3/4" (24x517x958)

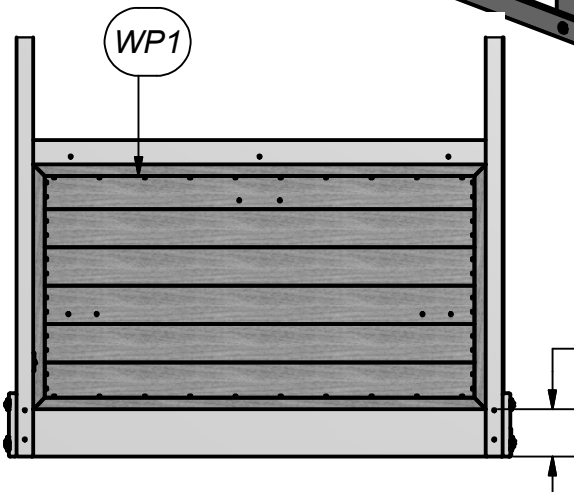
STEP 18



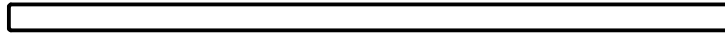
SCREW PFH 8x1 1/4 BLK
(3 PLCS)

WP1

SCREW PFH 8x1 1/4 BLK
(4 PLCS)

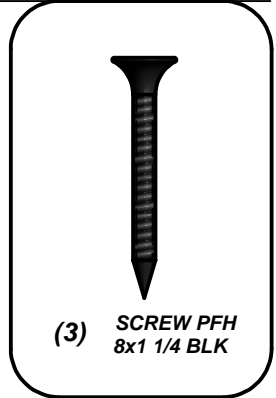


100 mm [3 7/8 in]

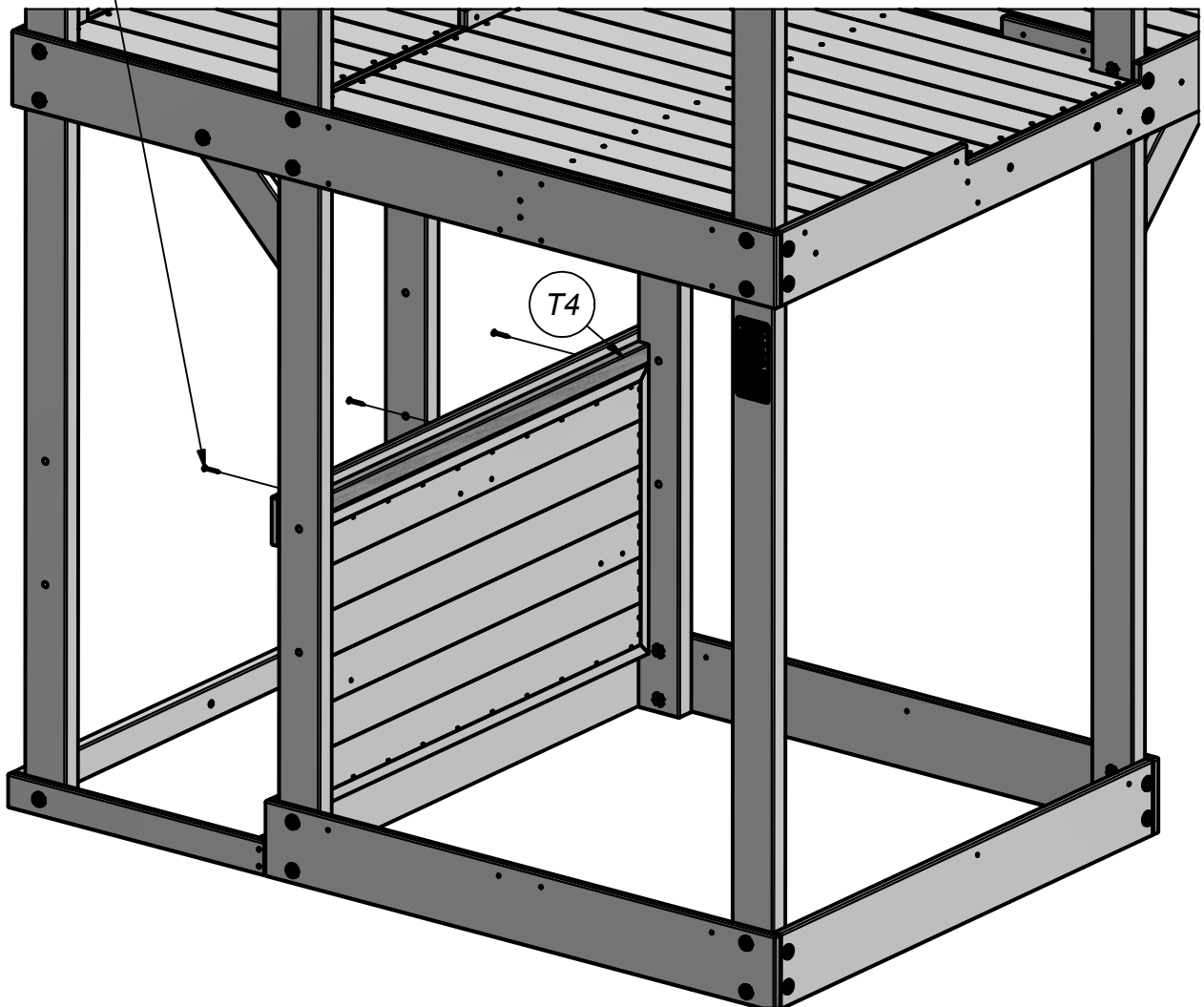


(1) *T4 - SUPPORT BOARD - W4L07613*
1"x1 3/8"x37 3/4" (24x34x958)

STEP 19



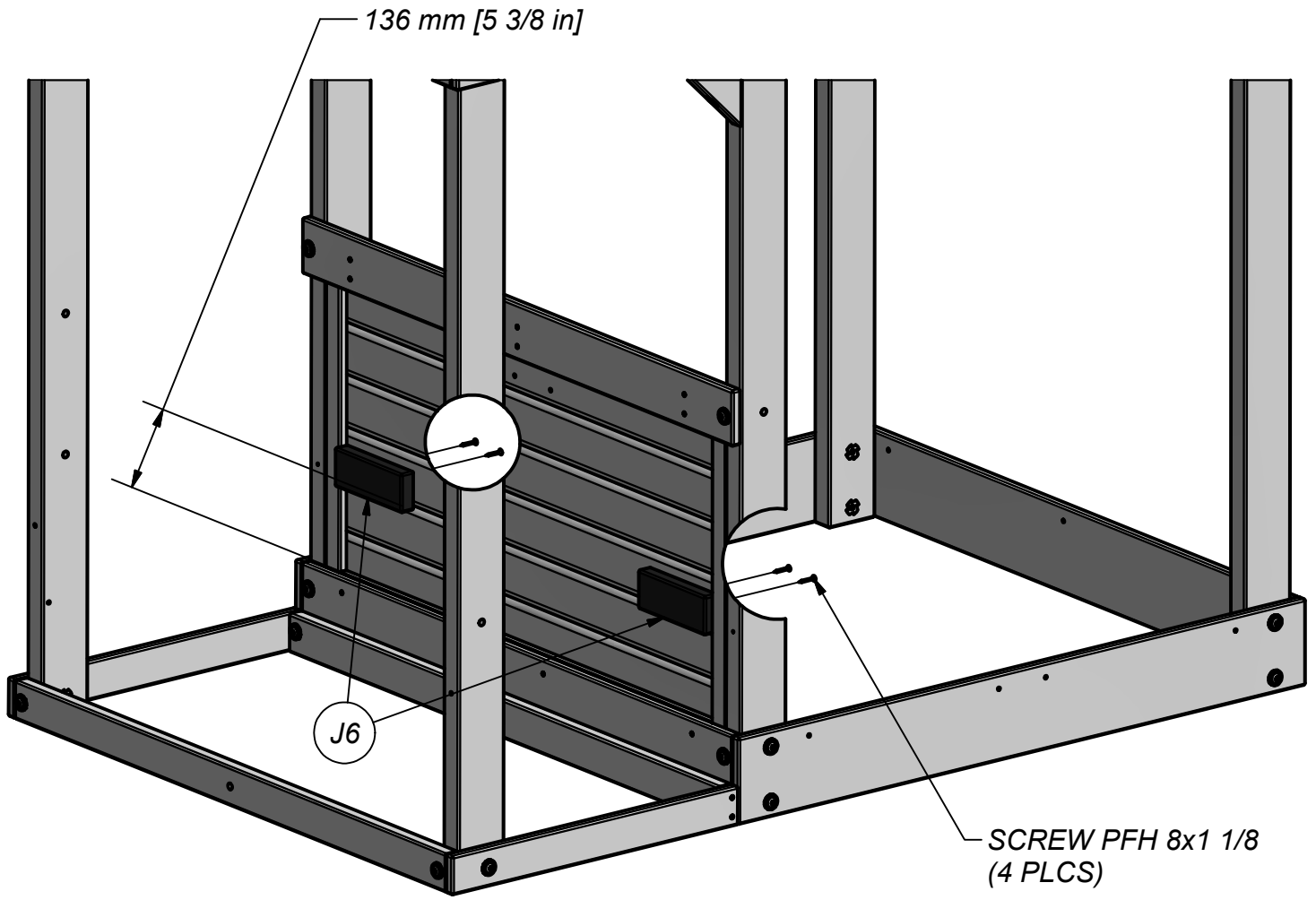
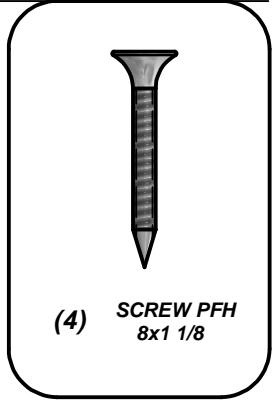
— *SCREW PFH 8x1 1/4 BLK*
(3 PLCS)





(2) **J6 - SUPPORT BLOCK - W4L07589**
1"x2 3/8"x6 1/4" (24x60x160)

STEP 20



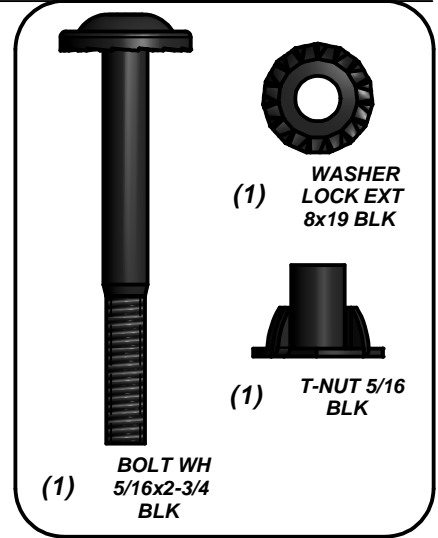


(1) **H1 - TABLE SUPPORT - W4L07583**
1"x3 3/8"x22 3/8" (24x86x567)



(1) **J7 - SUPPORT BLOCK - W4L07595**
1"x2 3/8"x3 3/8" (24x60x86)

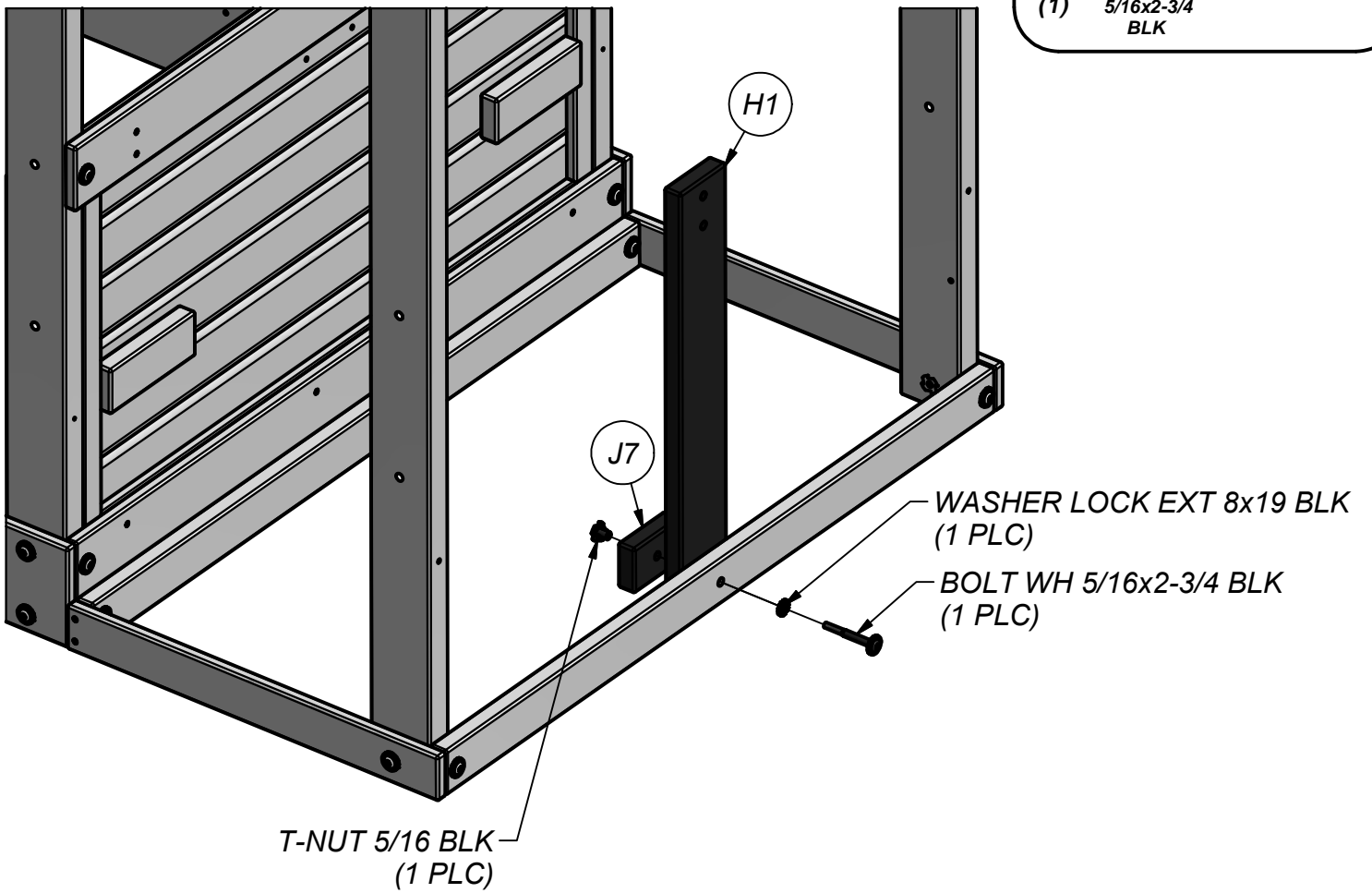
STEP 21



(1) **WASHER LOCK EXT 8x19 BLK**

(1) **T-NUT 5/16 BLK**

(1) **BOLT WH 5/16x2-3/4 BLK**





(8) **M4 - FLOOR BOARD - W4L07597**
5/8"x3 3/8"x21 1/8" (16x86x537)

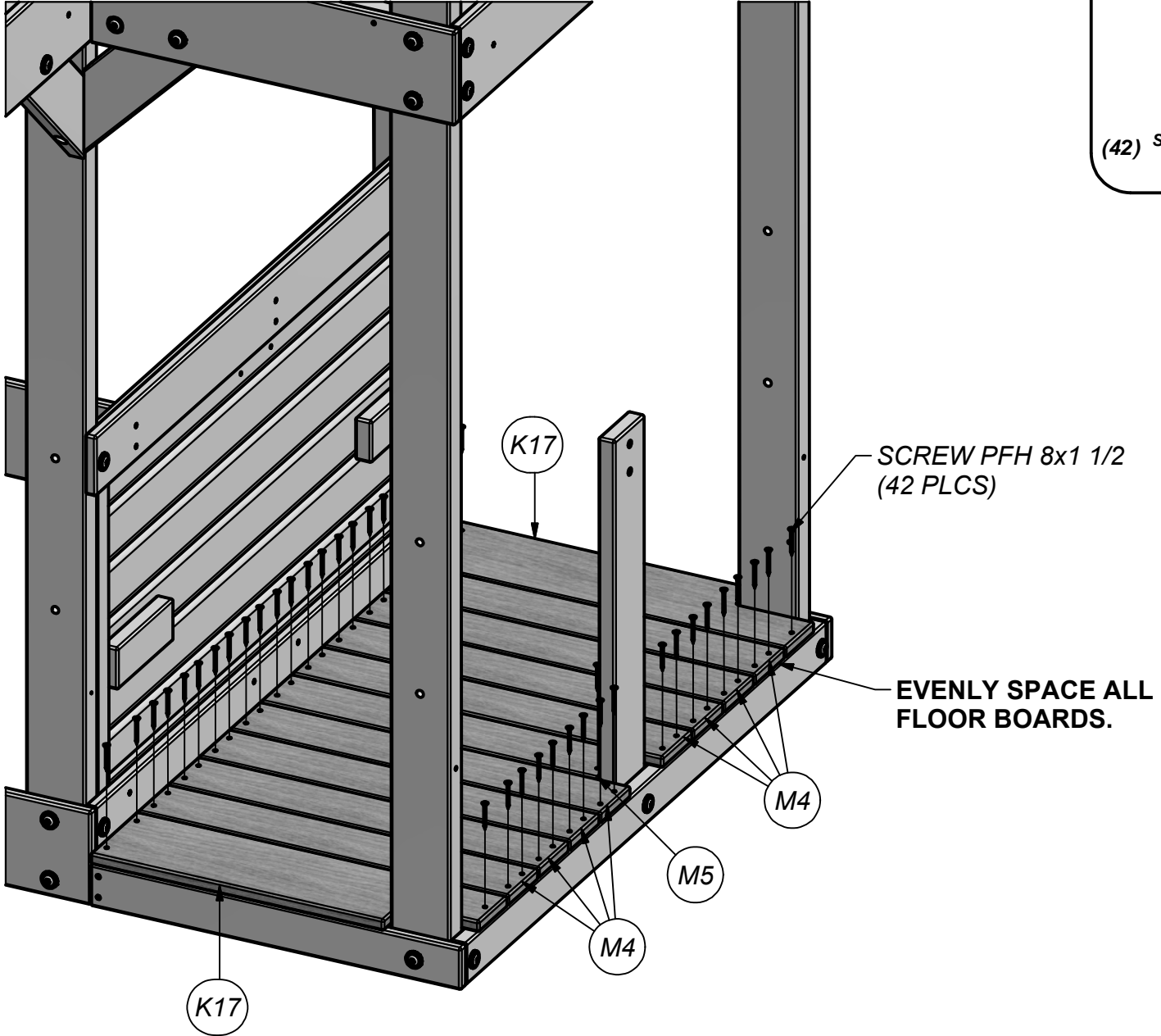
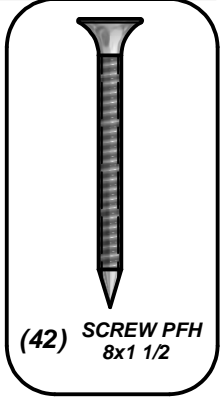


(1) **M5 - FLOOR BOARD - W4L07598**
5/8"x3 3/8"x19 1/4" (16x86x488)



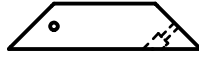
(2) **K17 - FLOOR BOARD - W4L07596**
5/8"x5 1/4"x21 1/8" (16x134x537)

STEP 22





(2) **J3 - BENCH SUPPORT - W4L07586**
1"x2 3/8"x9" (24x60x230)

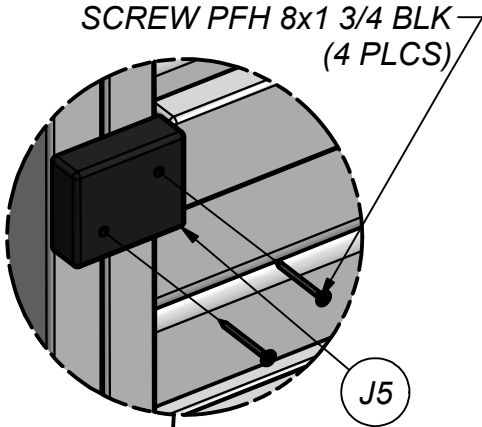


(2) **J4 - ANGLE BRACE - W4L07587**
1"x2 3/8"x10" (24x60x254)



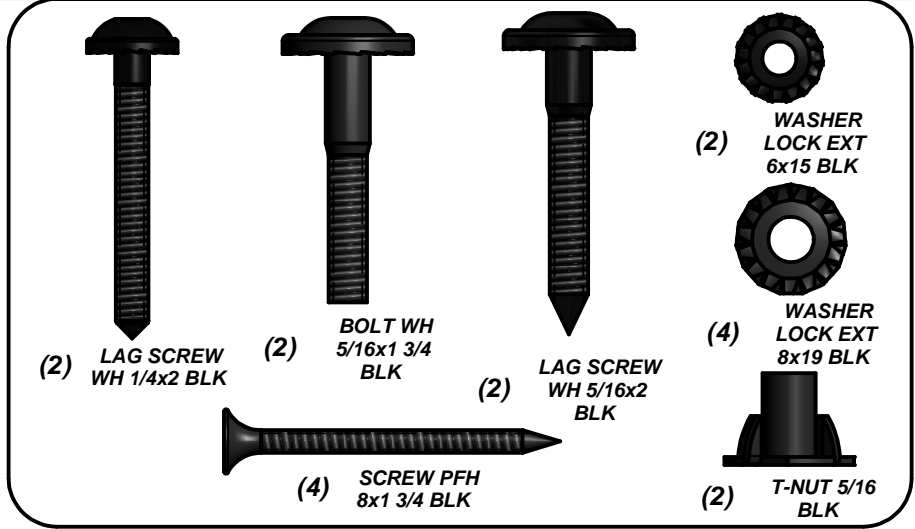
(2) **J5 - SUPPORT BLOCK - W4L07588**
1"x2 3/8"x2 7/8" (24x60x72)

STEP 23



SCREW PFH 8x1 3/4 BLK
(4 PLCS)

J5



(2) **LAG SCREW**
WH 1/4x2 BLK

(2) **BOLT WH**
5/16x1 3/4
BLK

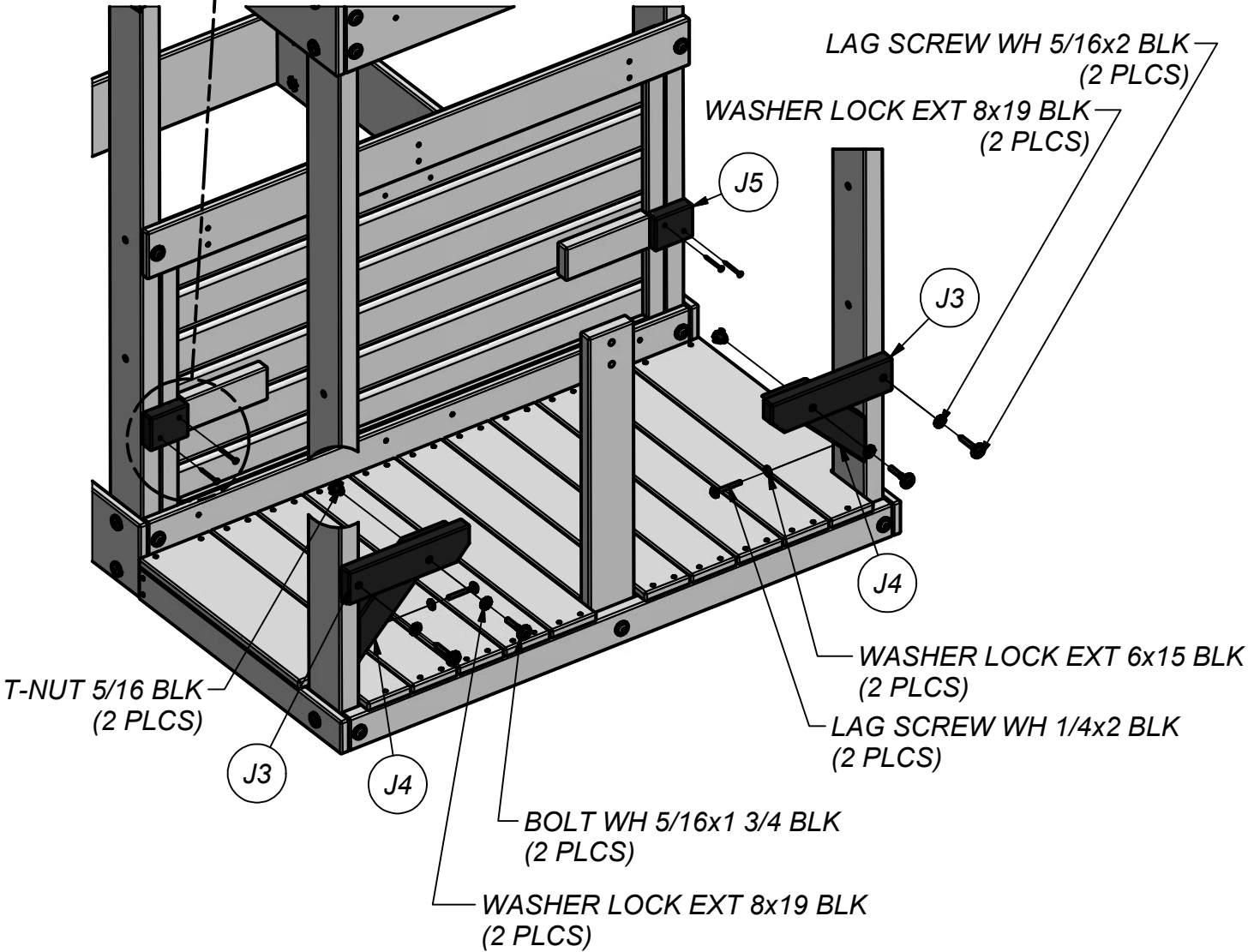
(2) **LAG SCREW**
WH 5/16x2
BLK

(4) **SCREW PFH**
8x1 3/4 BLK

(2) **WASHER**
LOCK EXT
6x15 BLK

(4) **WASHER**
LOCK EXT
8x19 BLK

(2) **T-NUT** 5/16
BLK



LAG SCREW WH 5/16x2 BLK
(2 PLCS)

WASHER LOCK EXT 8x19 BLK
(2 PLCS)

J5

J3

J4

WASHER LOCK EXT 6x15 BLK
(2 PLCS)

LAG SCREW WH 1/4x2 BLK
(2 PLCS)

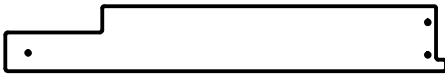
T-NUT 5/16 BLK
(2 PLCS)

J3

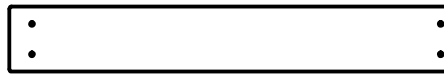
J4

BOLT WH 5/16x1 3/4 BLK
(2 PLCS)

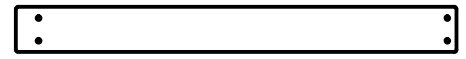
WASHER LOCK EXT 8x19 BLK
(2 PLCS)



(2) **M2 - BENCH BOARD - W4L07591**
5/8"x3 3/8"x23" (16x86x583)

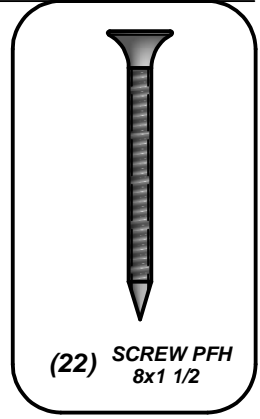
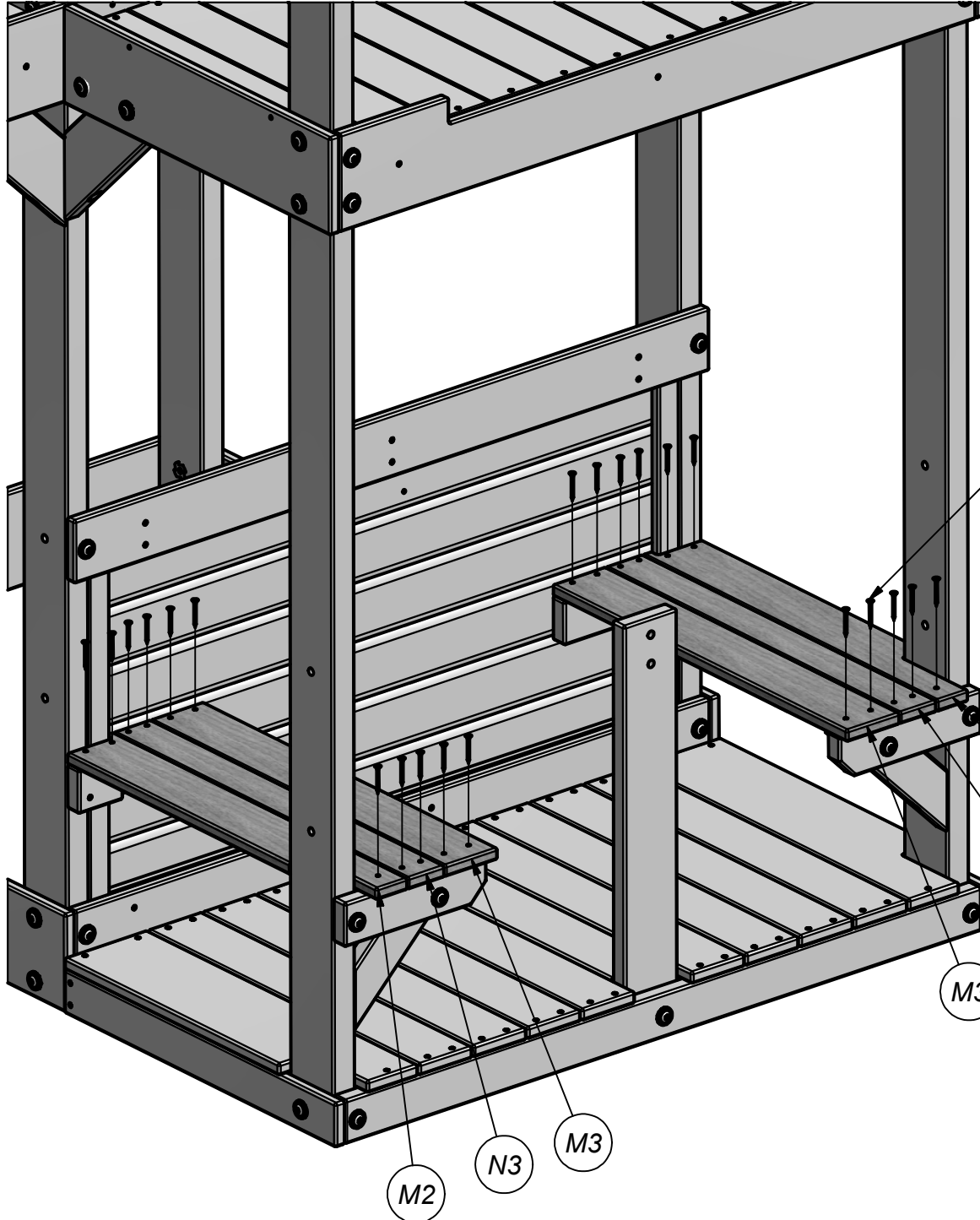


(2) **M3 - TABLE BOARD - W4L07593**
5/8"x3 3/8"x23" (16x86x583)



(2) **N3 - BENCH BOARD - W4L07592**
5/8"x2 3/8"x23" (16x60x583)

STEP 24



(22) **SCREW PFH**
8x1 1/2

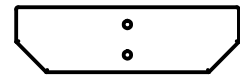
SCREW PFH 8x1 1/2
(22 PLCS)



(1) **K16 - TABLE BOARD - W4L07594**
5/8"x5 1/4"x23" (16x134x583)



(2) **M3 - TABLE BOARD - W4L07593**
5/8"x3 3/8"x23" (16x86x583)

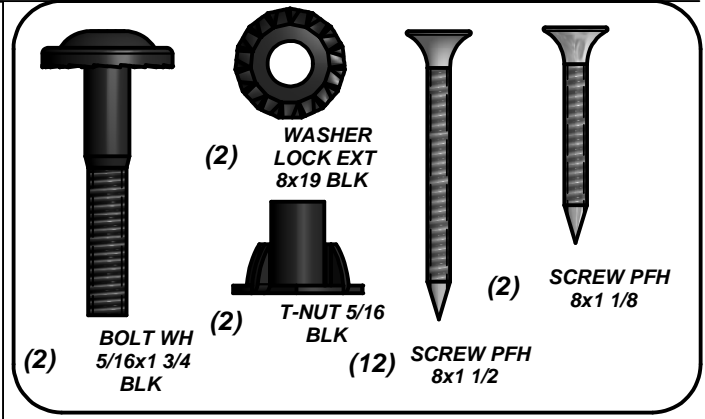
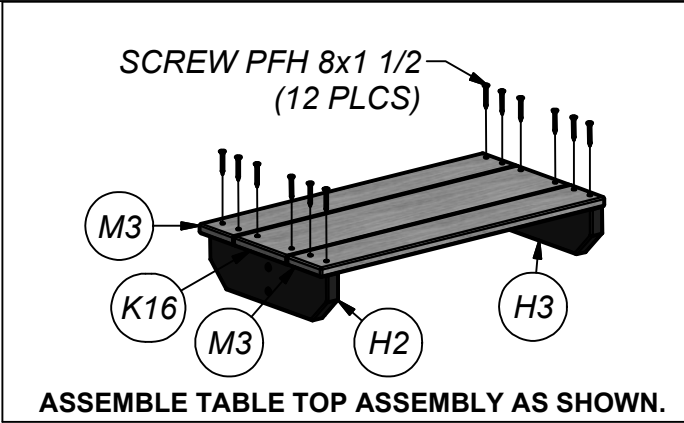


(1) **H2 - TABLE SUPPORT - W4L07584**
1"x3 3/8"x11 5/8" (24x86x295)

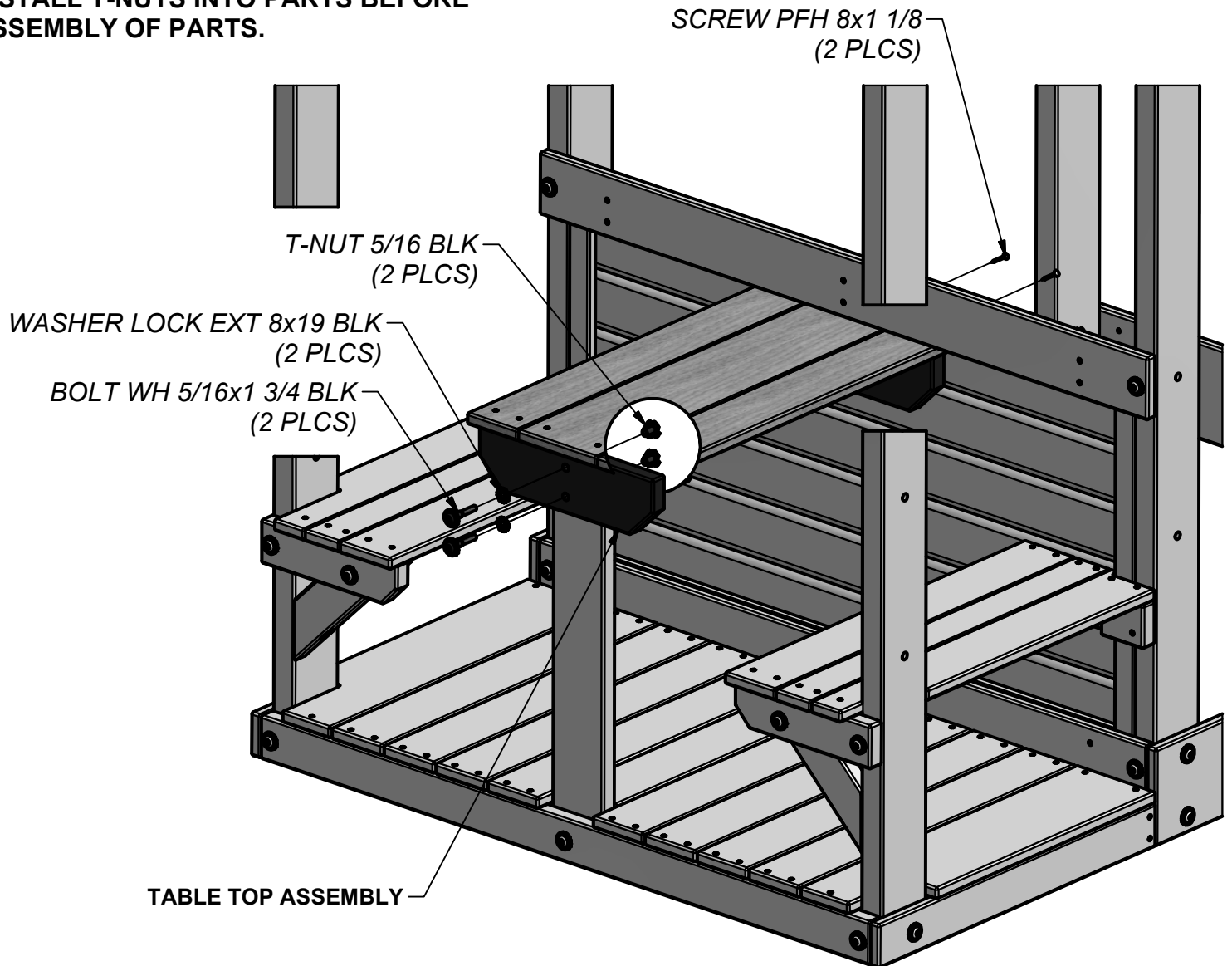


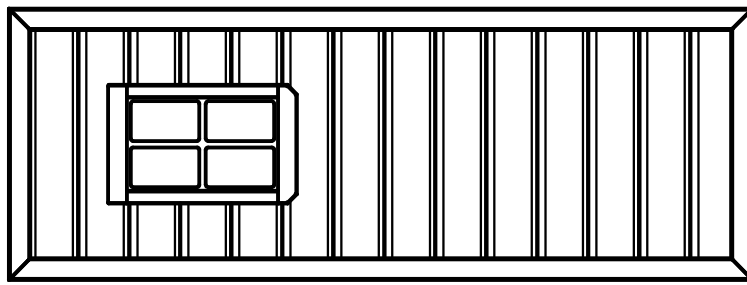
(1) **H3 - TABLE SUPPORT - W4L07585**
1"x3 3/8"x11 5/8" (24x86x295)

STEP 25



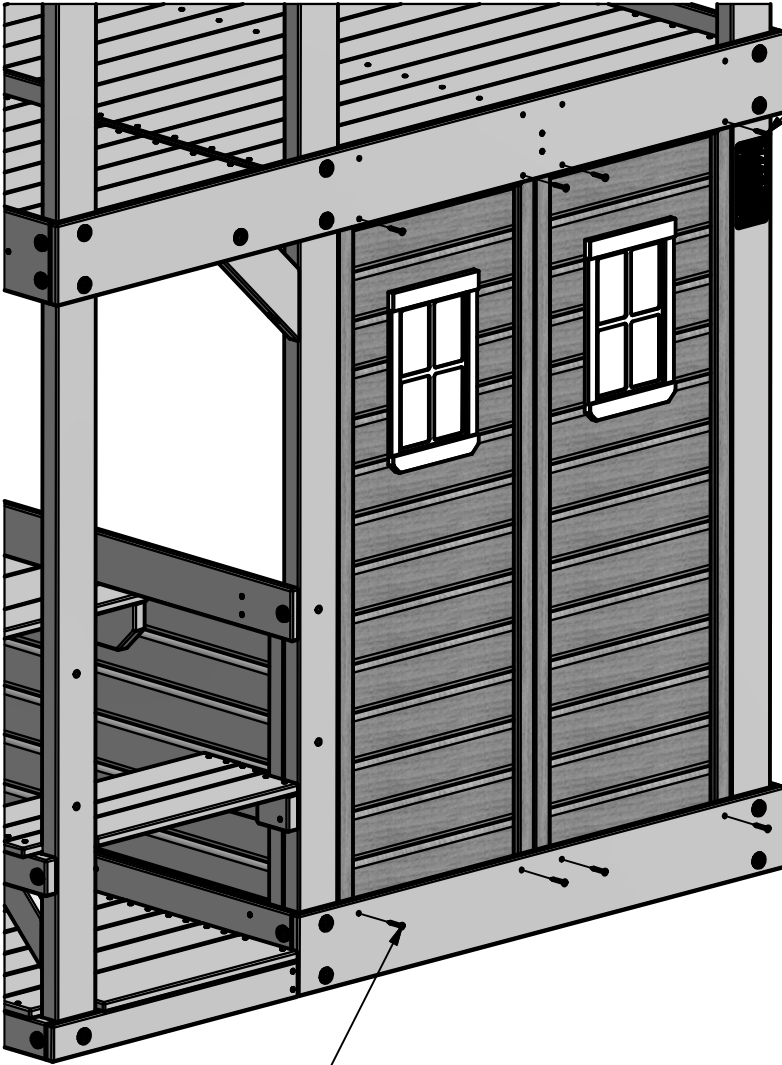
INSTALL T-NUTS INTO PARTS BEFORE ASSEMBLY OF PARTS.





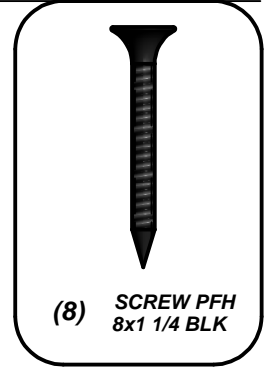
(2) WP2 - RIGHT LOWER WALL PANEL - W2A02083
 1"x16 7/8"x46 1/2" (24x430x1181)

STEP 26

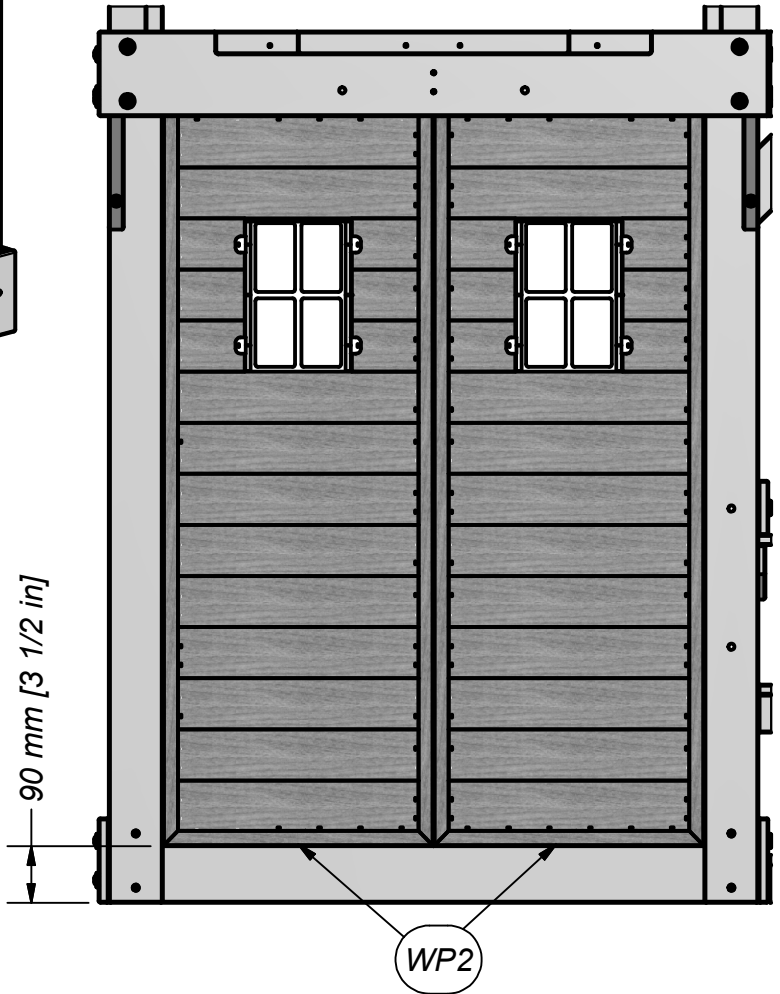


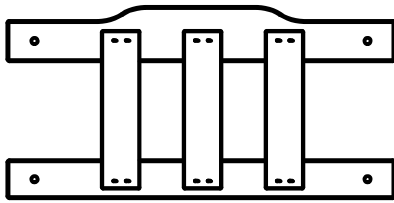
SCREW PFH 8x1 1/4 BLK
 (4 PLCS)

SCREW PFH 8x1 1/4 BLK
 (4 PLCS)

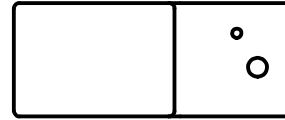


(8) SCREW PFH
 8x1 1/4 BLK



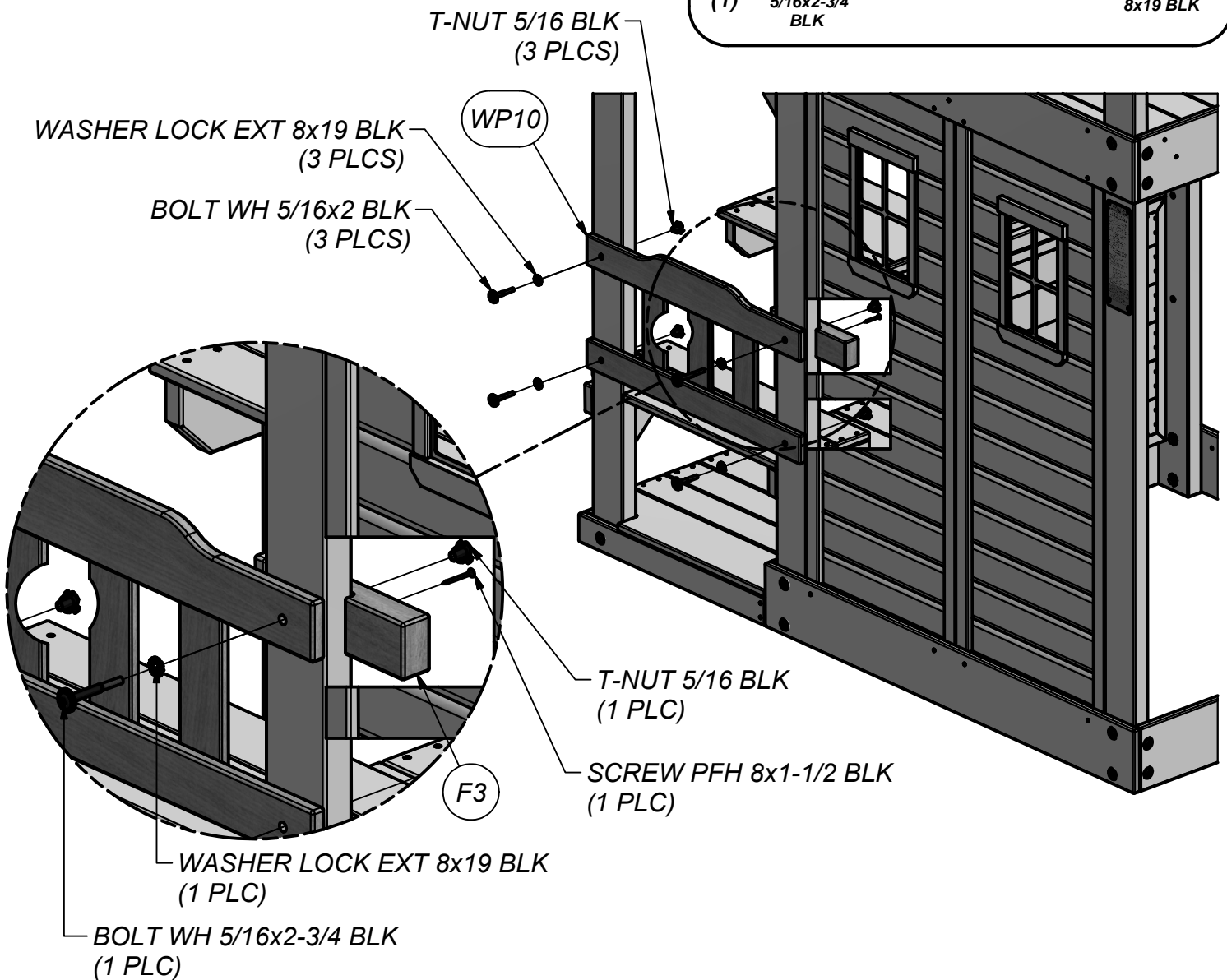
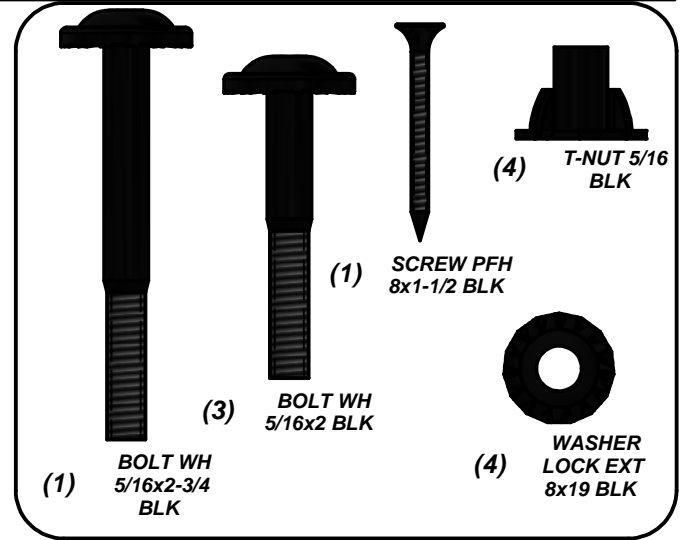


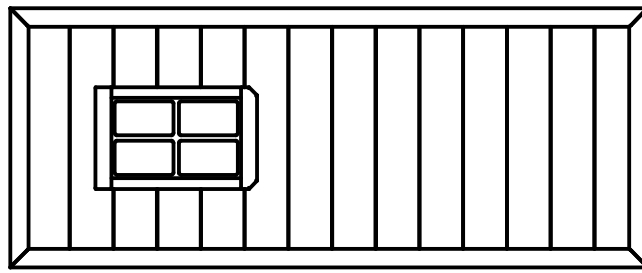
(1) WP10 - BENCH BACK ASSEMBLY - W2A02081
1 1/8"x11 7/8"x17 5/8" (27x303x615)



(1) F3 - SUPPORT BLOCK - W4L07604
1 3/8"x2 3/8"x5 7/8" (36x60x148)

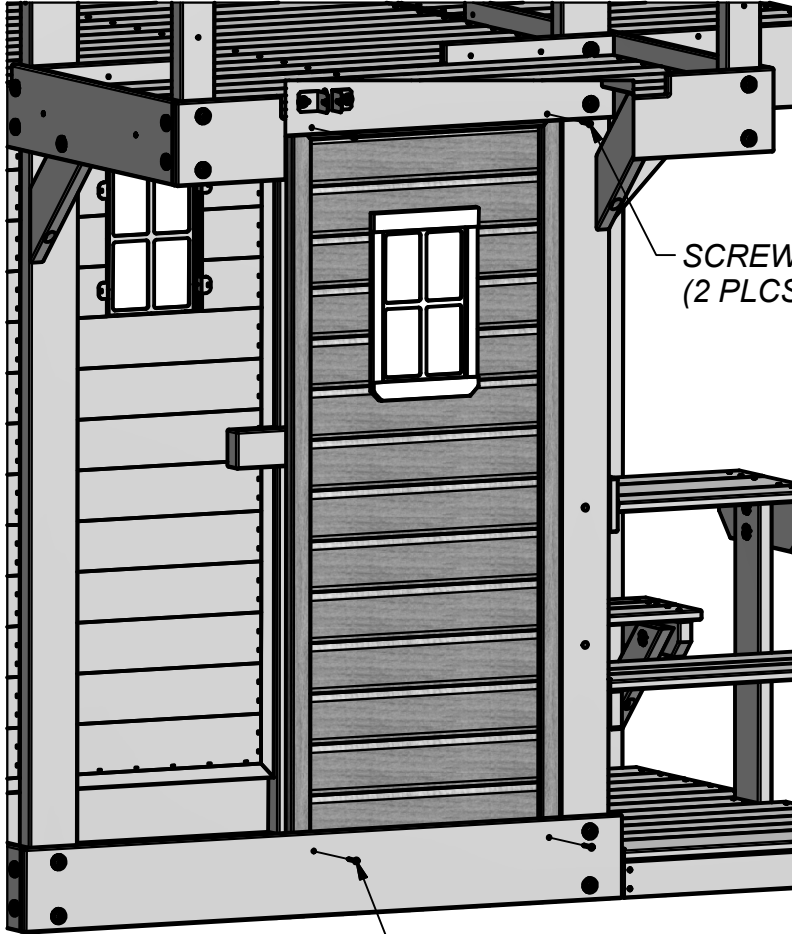
STEP 27





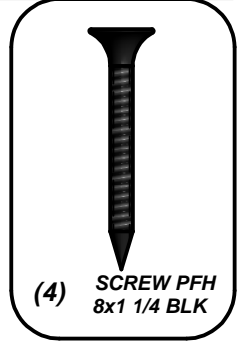
(1) WP9 - LOWER WALL PANEL - W2A02090
1"x16 7/8"x46 1/2" (24x476x1181)

STEP 28

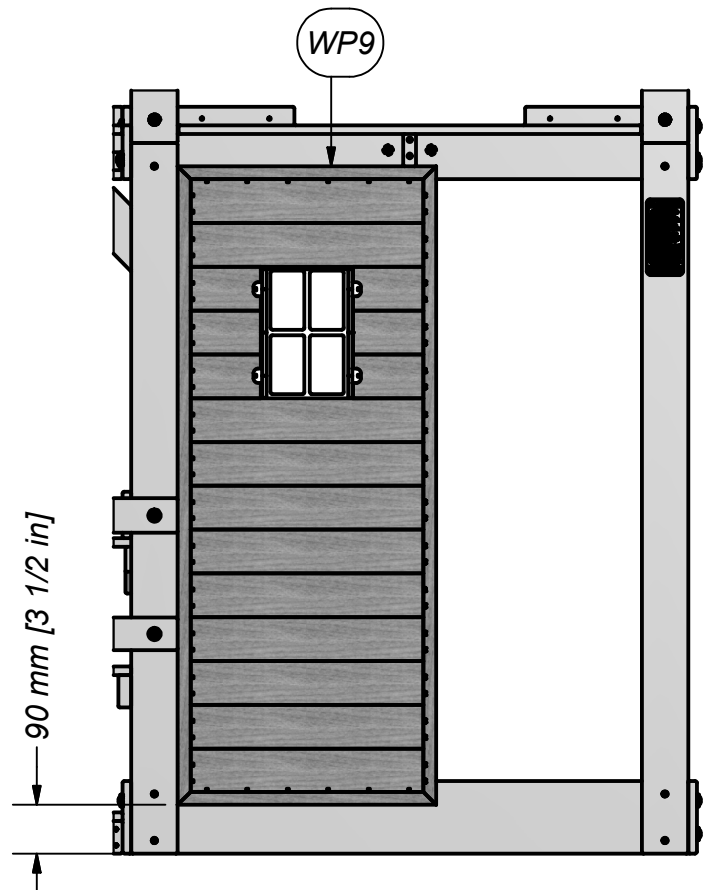


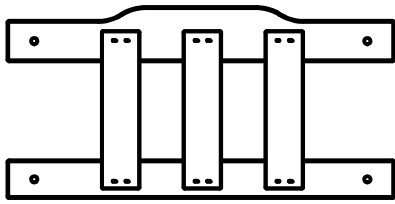
SCREW PFH 8x1 1/4 BLK
(2 PLCS)

SCREW PFH 8x1 1/4 BLK
(2 PLCS)

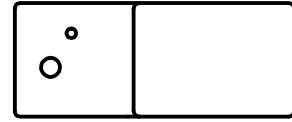


(4) SCREW PFH
8x1 1/4 BLK





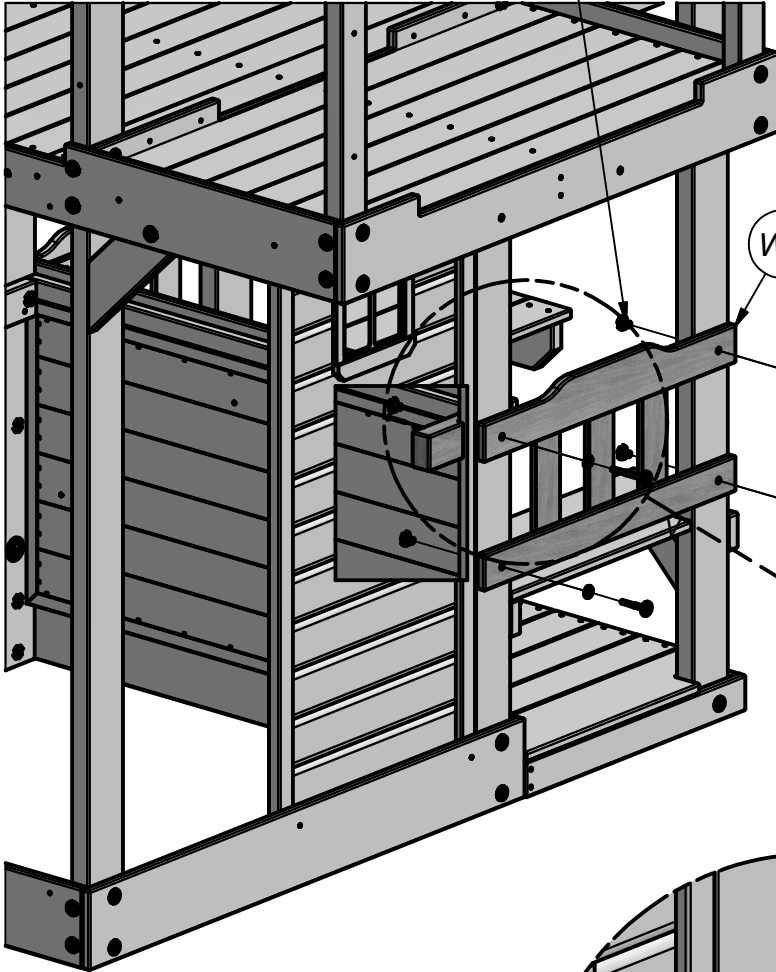
(1) WP10 - BENCH BACK ASSEMBLY - W2A02081
1 1/8"x11 7/8"x17 5/8" (27x303x615)



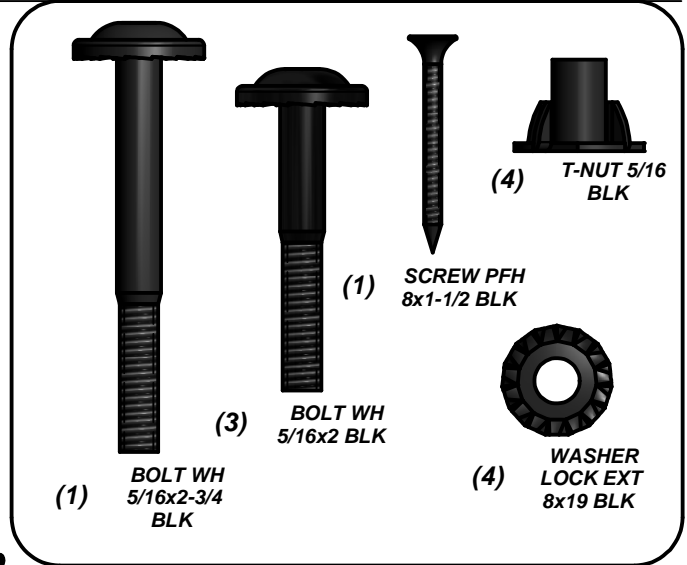
(1) F4 - SUPPORT BLOCK - W4L07614
1 3/8"x2 3/8"x5 7/8" (36x60x148)

STEP 29

T-NUT 5/16 BLK
(3 PLCS)



WP10



(1) BOLT WH 5/16x2-3/4 BLK

(2) BOLT WH 5/16x2 BLK

(3) SCREW PFH 8x1-1/2 BLK

(4) T-NUT 5/16 BLK

(5) WASHER LOCK EXT 8x19 BLK

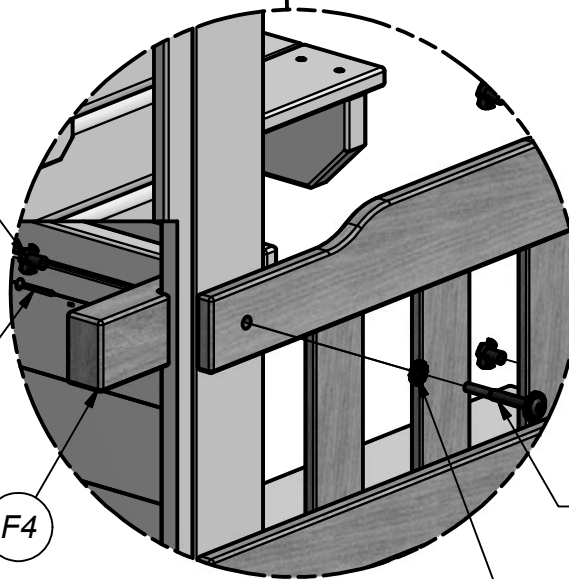
BOLT WH 5/16x2 BLK
(3 PLCS)

WASHER LOCK EXT 8x19 BLK
(3 PLCS)

T-NUT 5/16 BLK
(1 PLC)

SCREW PFH 8x1-1/2 BLK
(1 PLC)

F4



BOLT WH 5/16x2-3/4 BLK
(1 PLC)

WASHER LOCK EXT 8x19 BLK
(1 PLC)

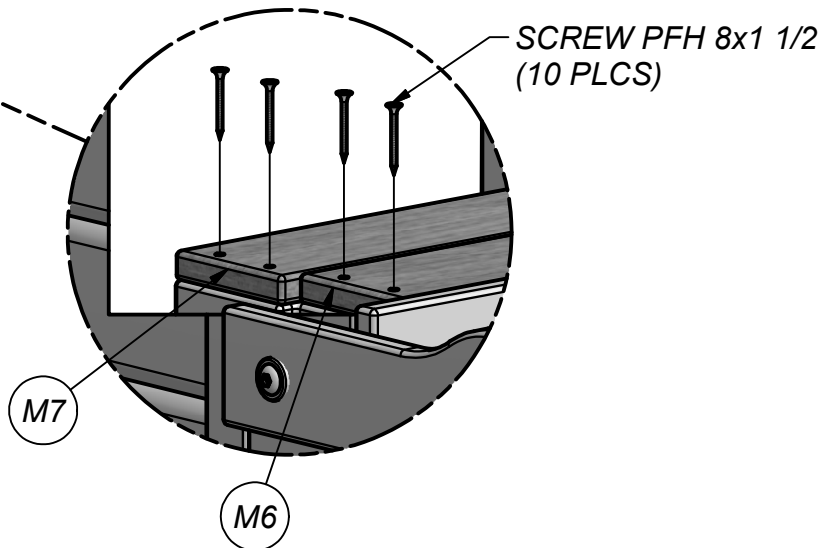
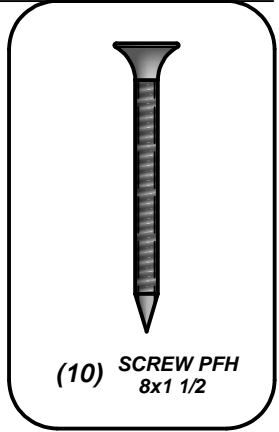
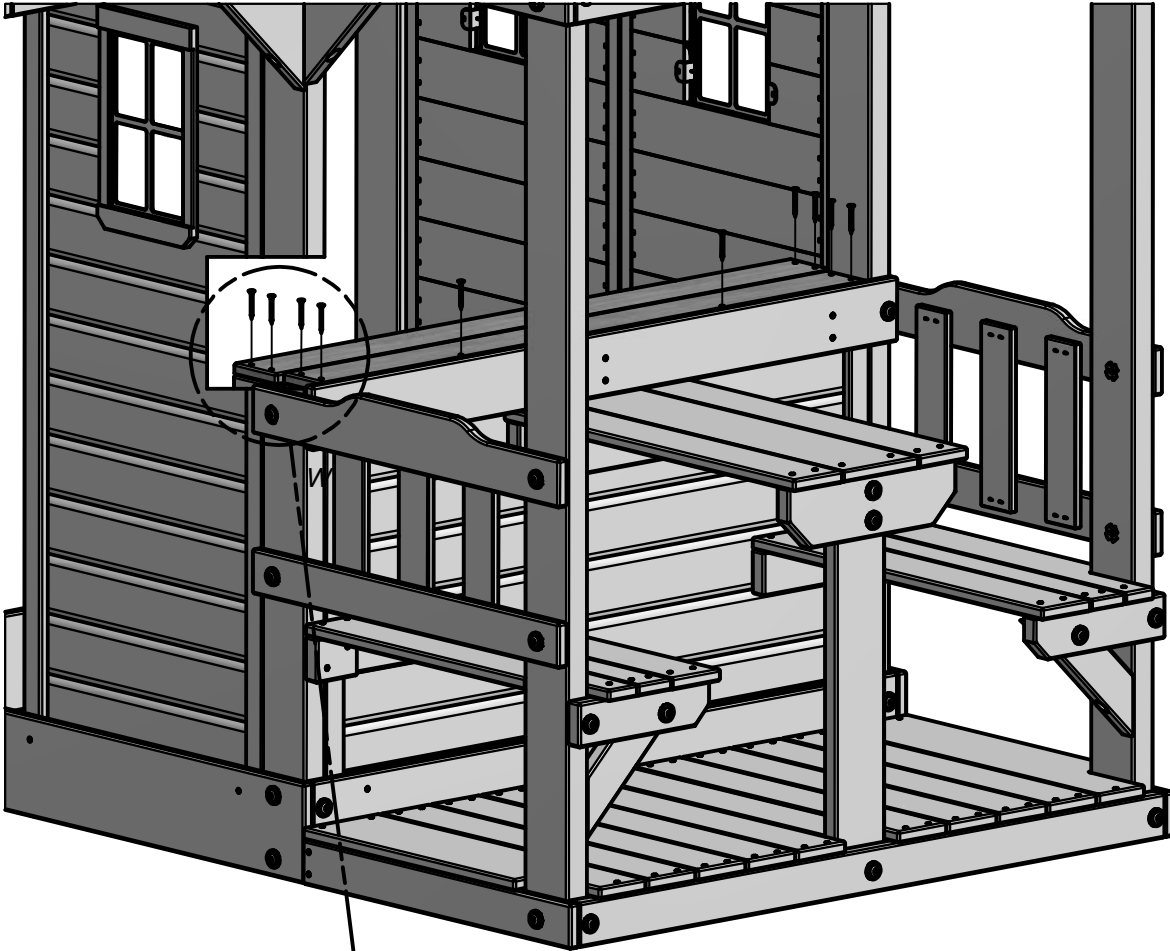


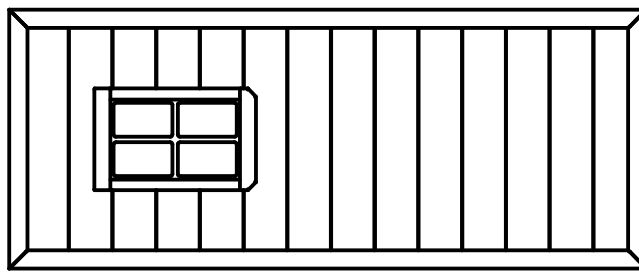
(1) M6 - COUNTER TOP - W4L07605
5/8"x3 3/8"x37 5/8" (16x86x957)



(1) M7 - COUNTER TOP - W4L07606
5/8"x3 3/8"x38 5/8" (16x86x981)

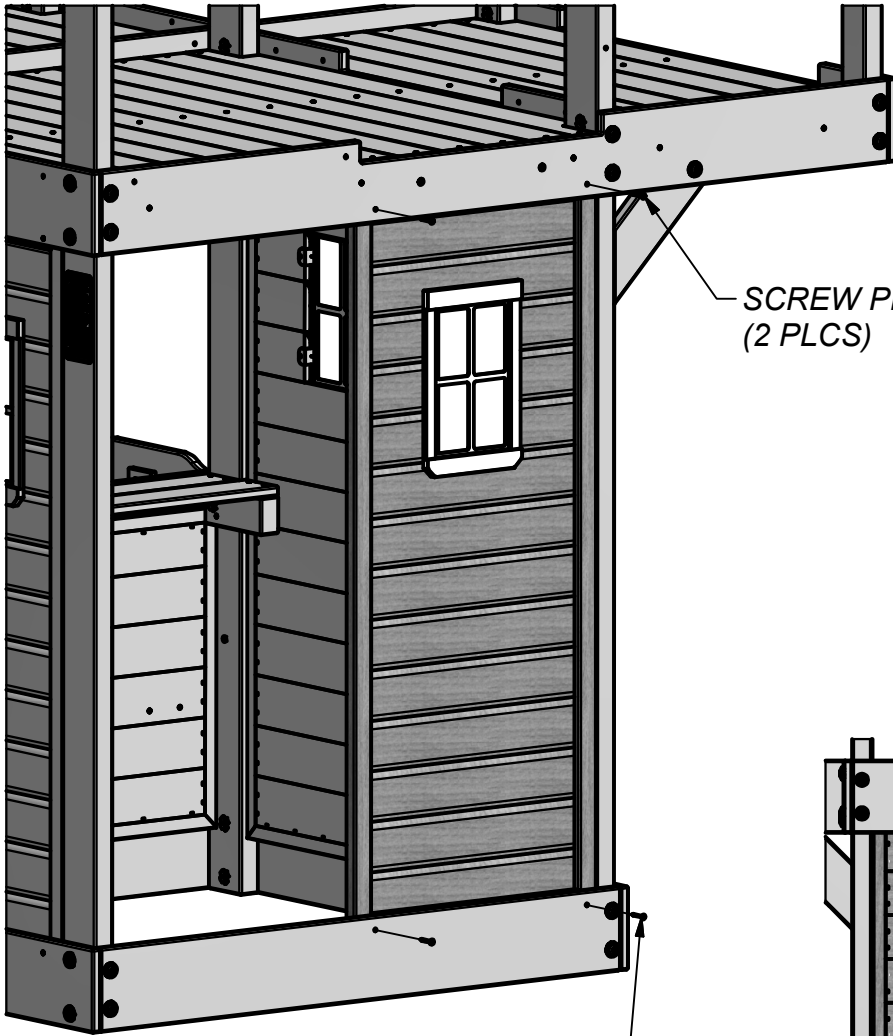
STEP 30



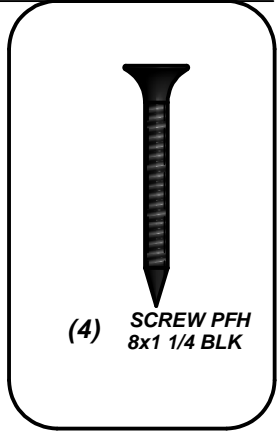


(1) WP9 - LOWER WALL PANEL - W2A02090
1"x16 7/8"x46 1/2" (24x476x1181)

STEP 31

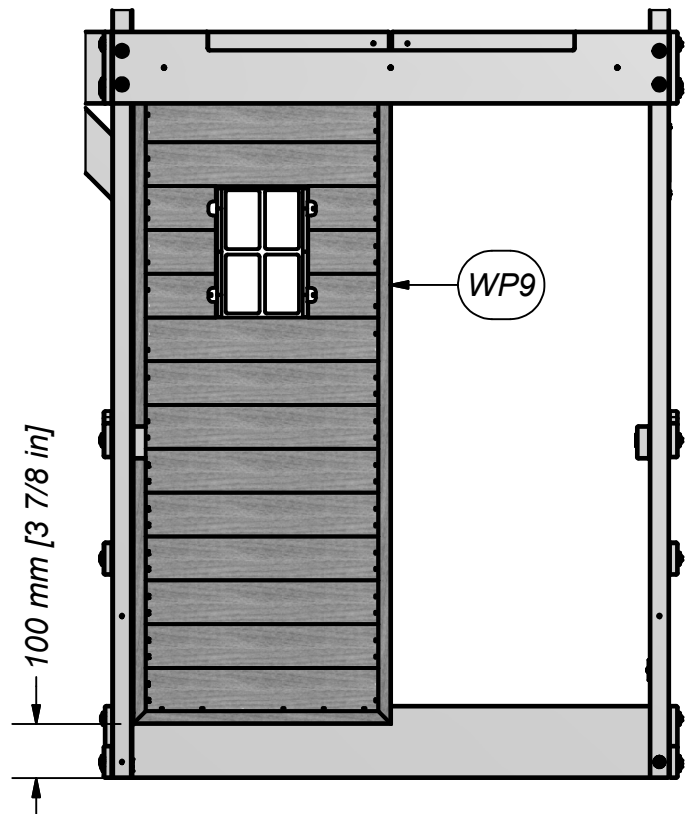


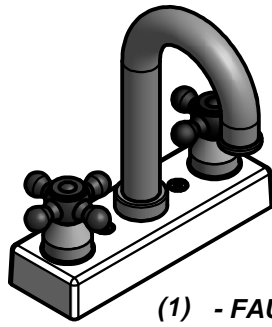
SCREW PFH 8x1 1/4 BLK
(2 PLCS)



(4) SCREW PFH
8x1 1/4 BLK

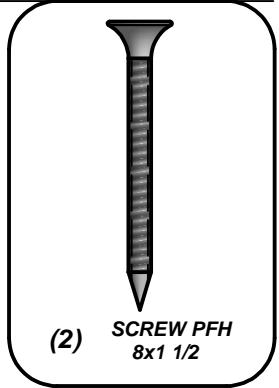
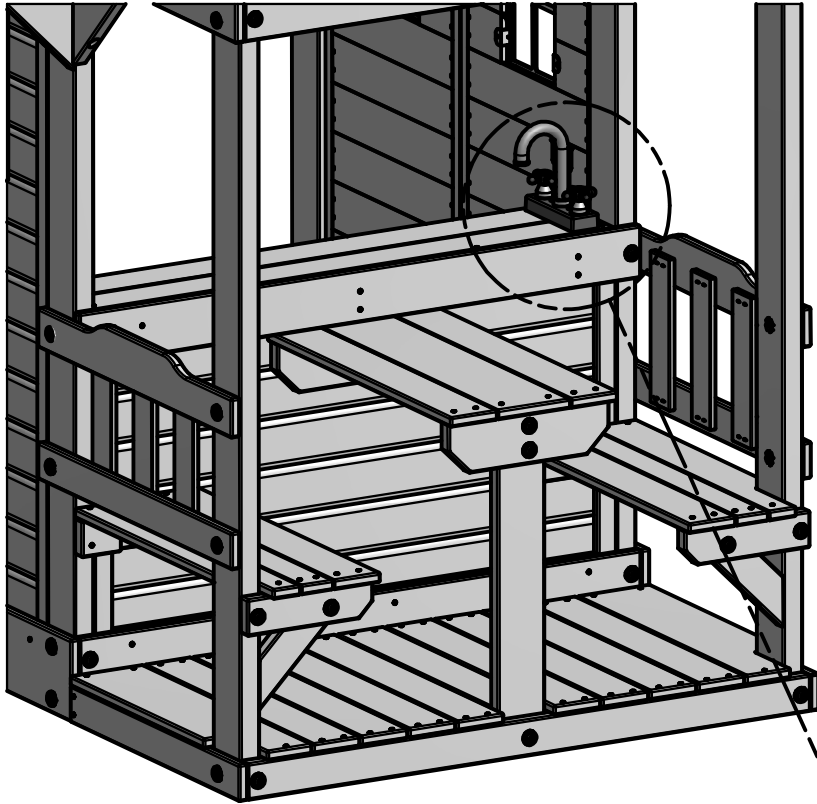
SCREW PFH 8x1 1/4 BLK
(2 PLCS)





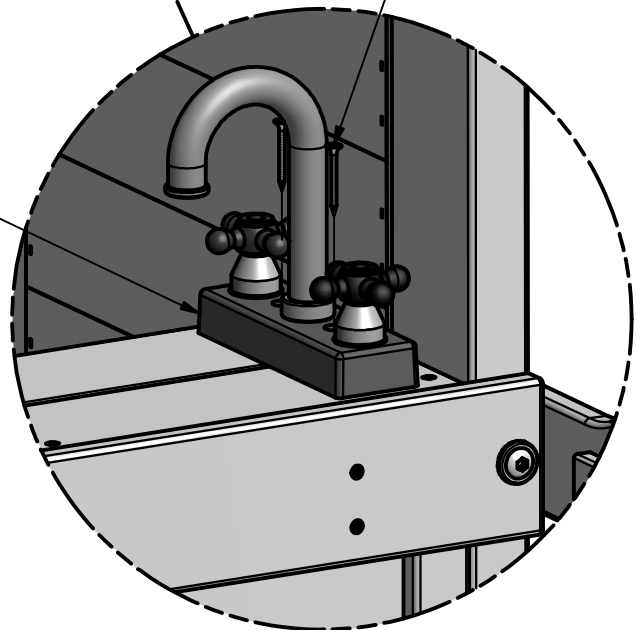
(1) - FAUCET KIT - A6P00024

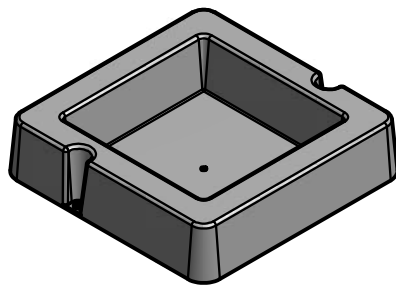
STEP 32



SCREW PFH 8x1 1/2
(2 PLCS)

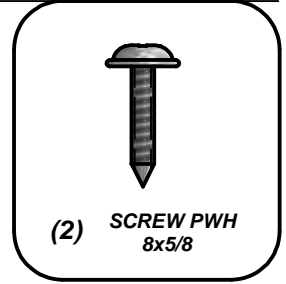
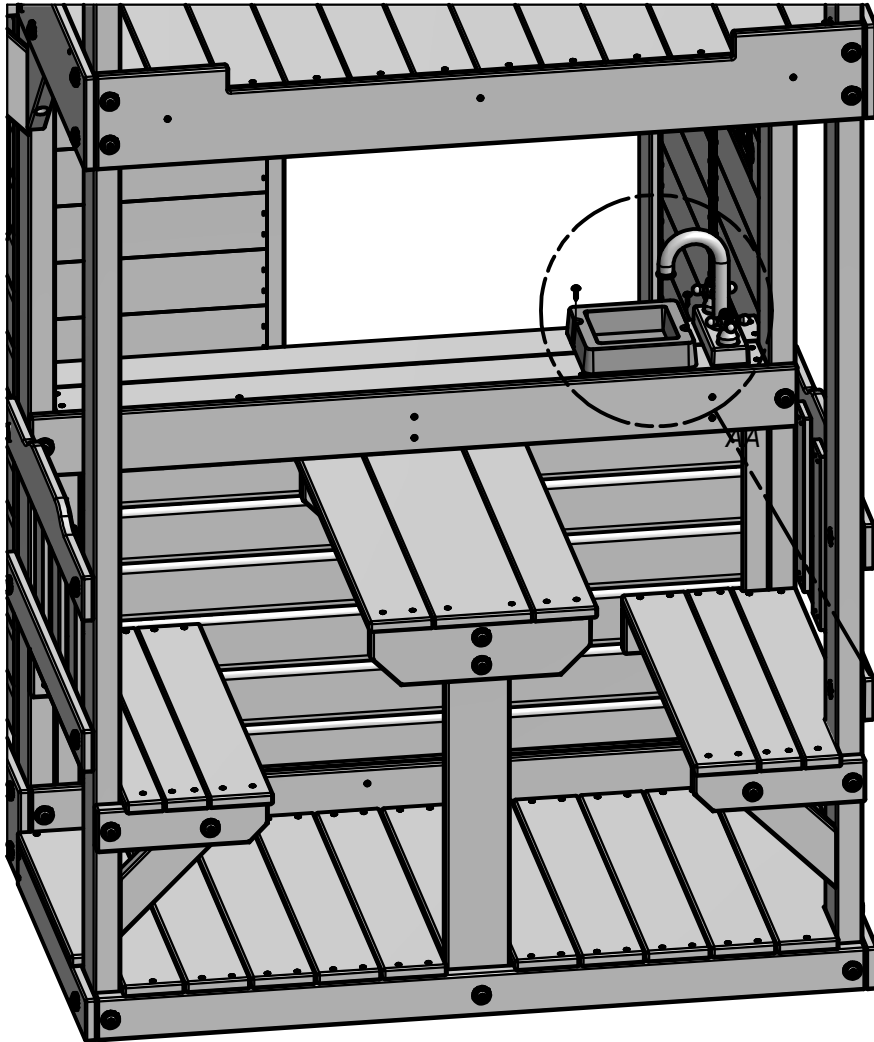
FAUCET KIT





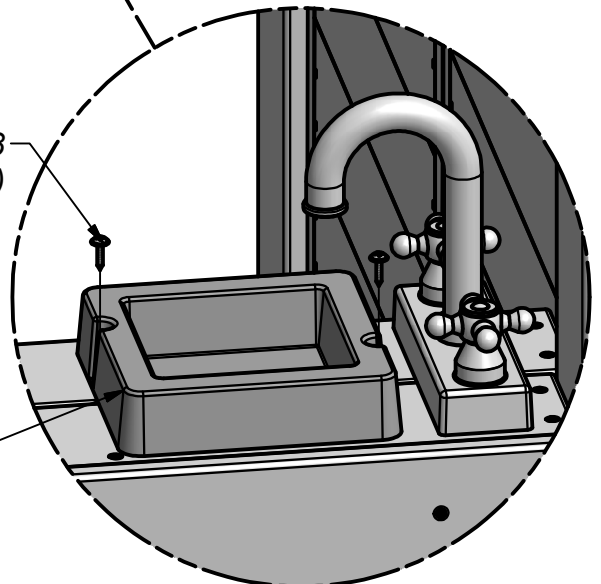
(1) - SURFACE MOUNT BASIN - A6P00032

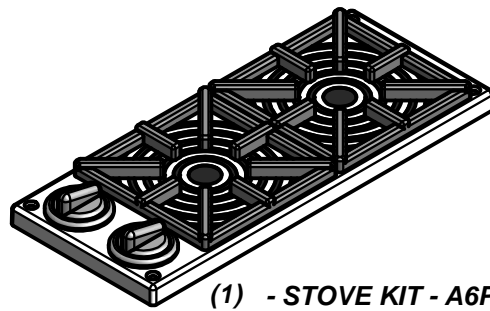
STEP 33



SCREW PWH 8x5/8
(2 PLCS)

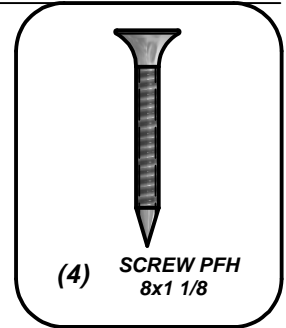
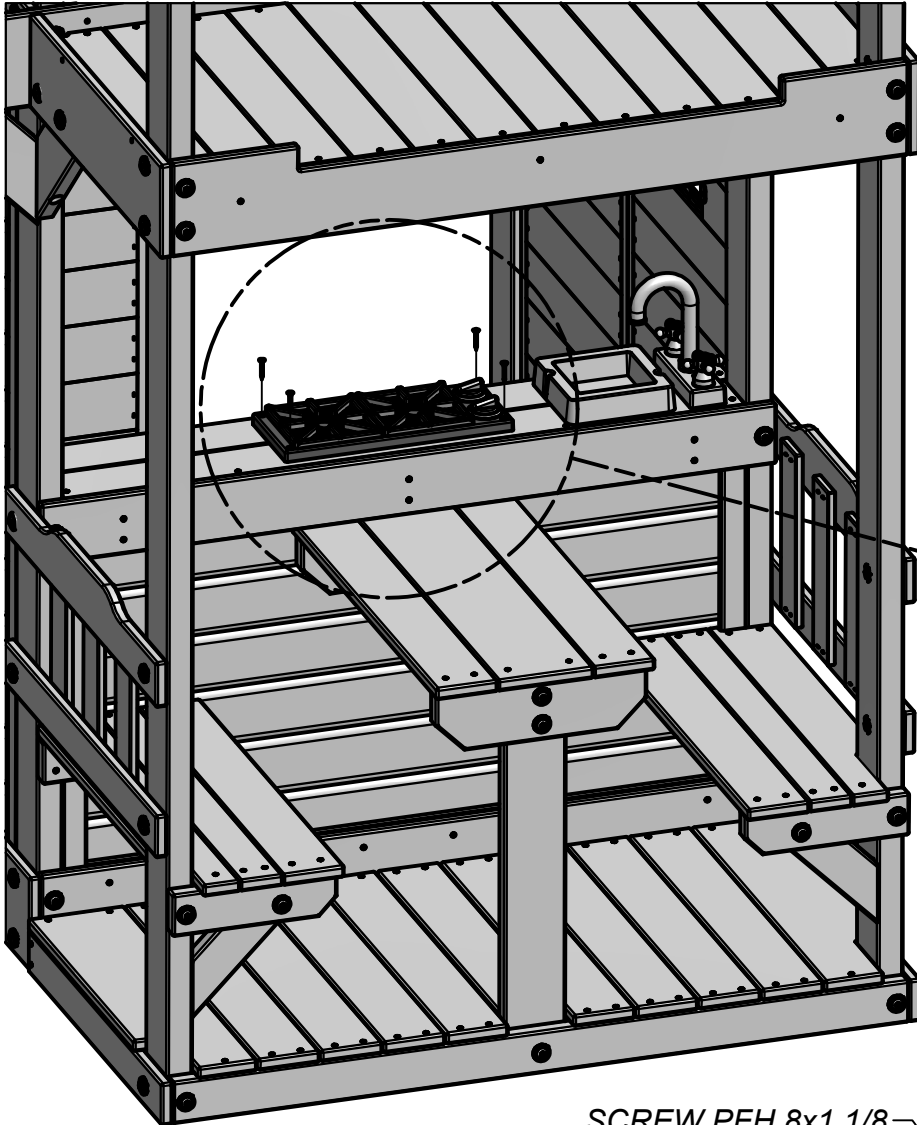
SURFACE MOUNT BASIN





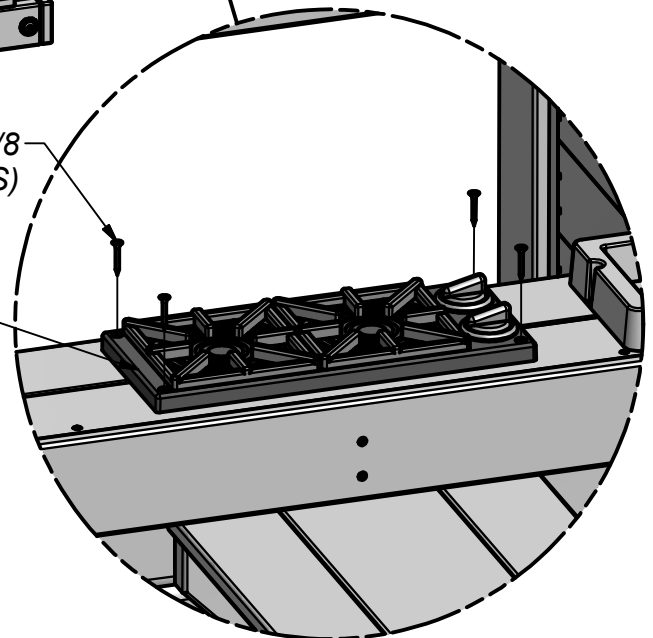
(1) - STOVE KIT - A6P00025

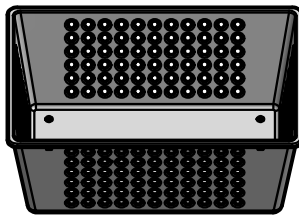
STEP 34



SCREW PFH 8x1 1/8
(4 PLCS)

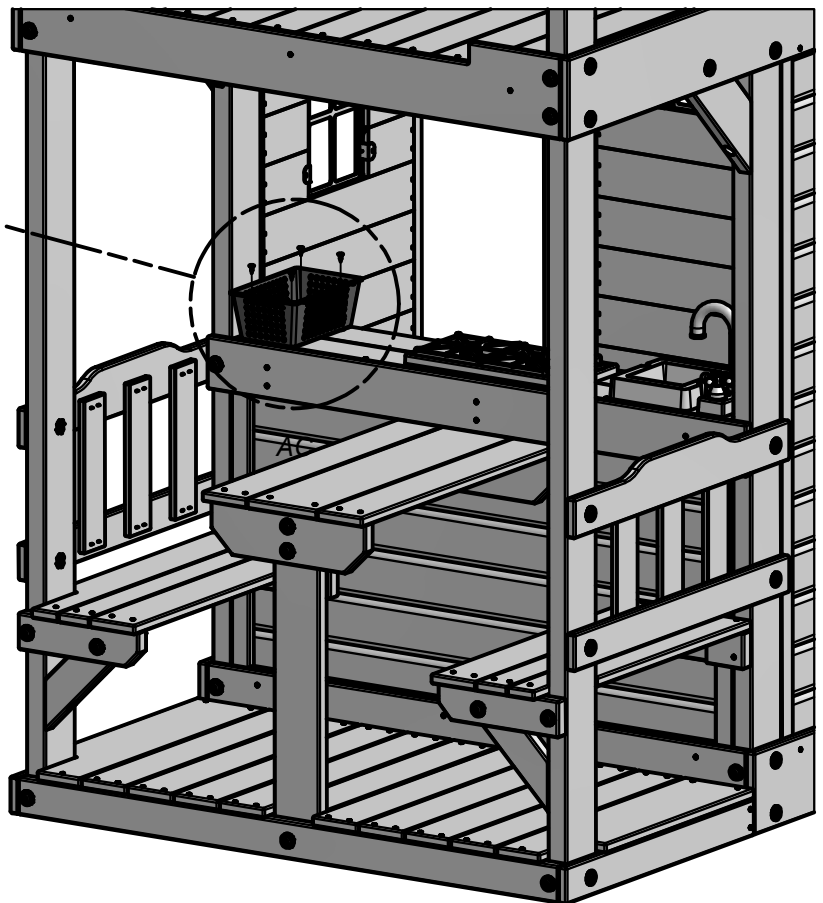
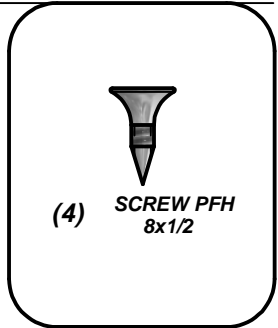
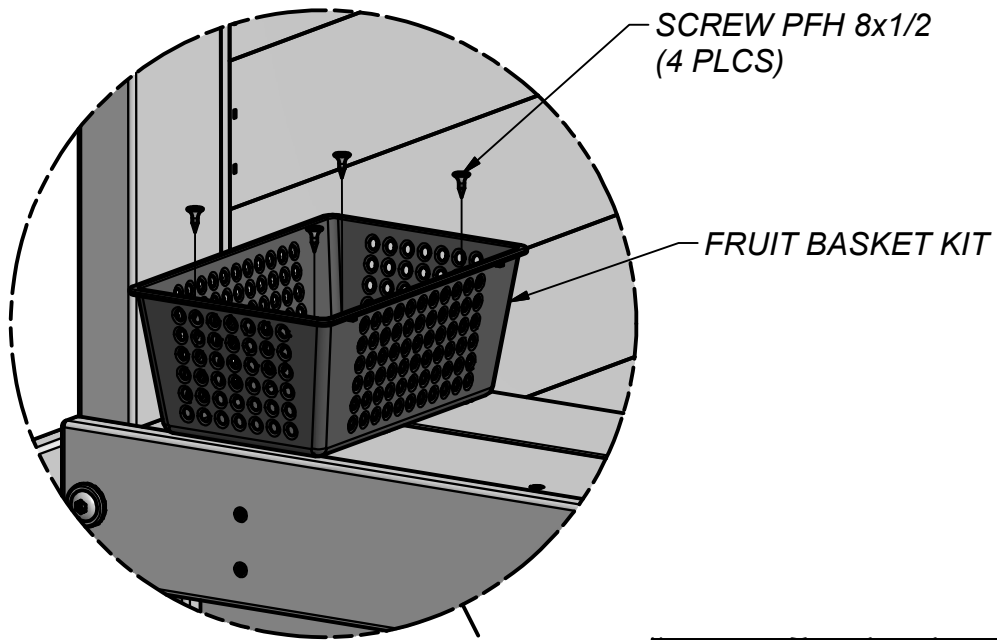
STOVE KIT

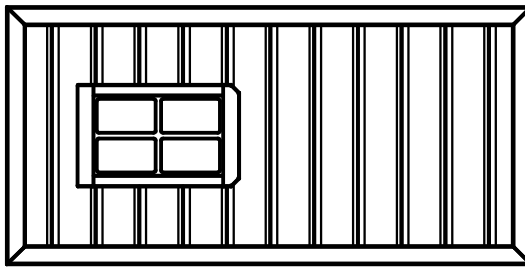




(1) FRUIT BASKET KIT - A6P00069

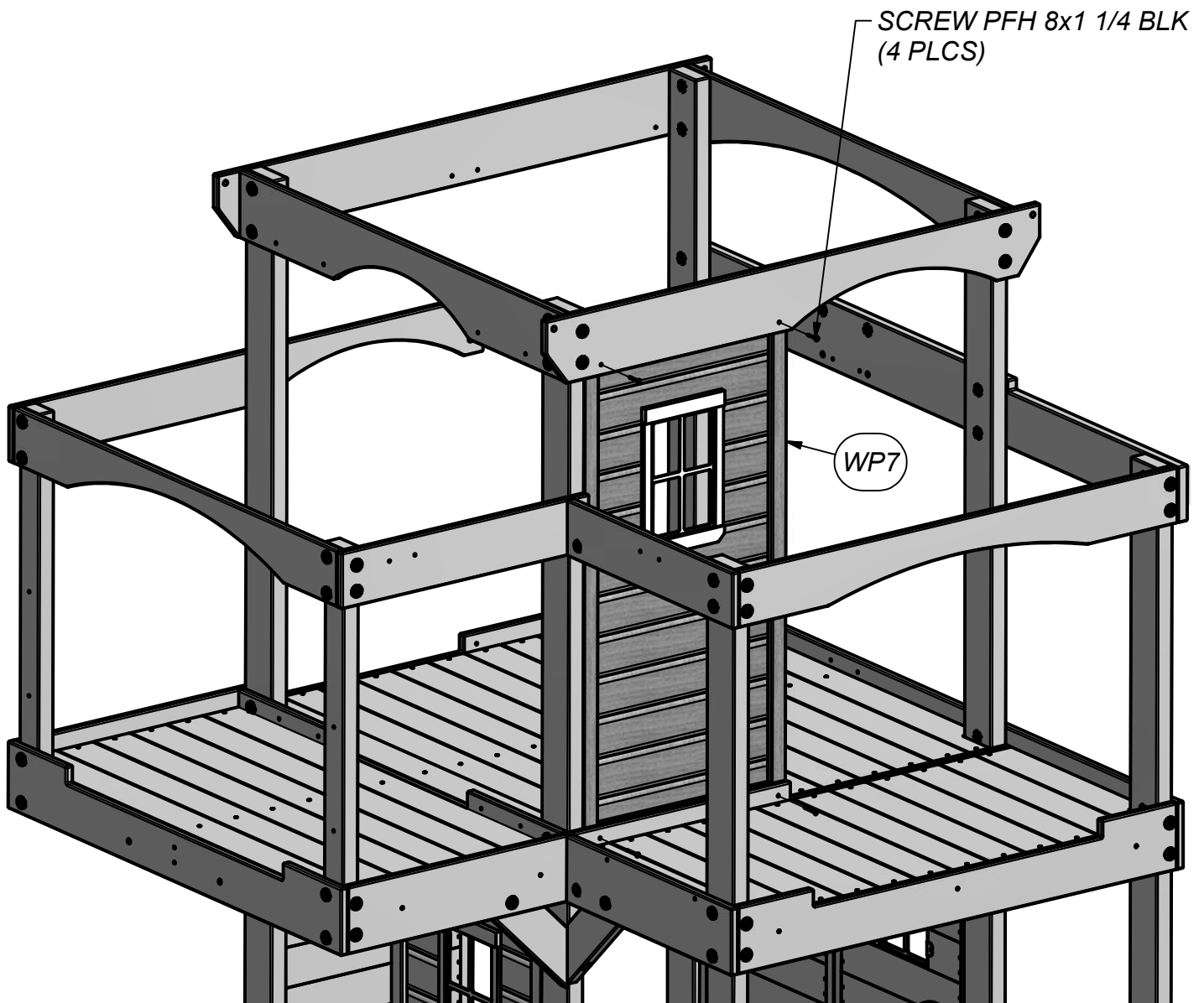
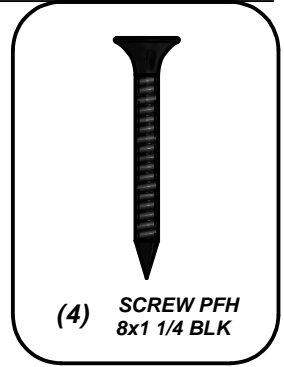
STEP 35

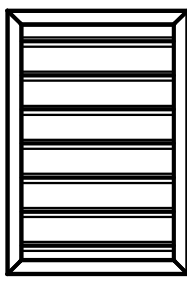




(1) WP7 - TOP FRONT WALL PANEL - W2A02088
1"x16 7/8"x38 1/4" (24x476x971)

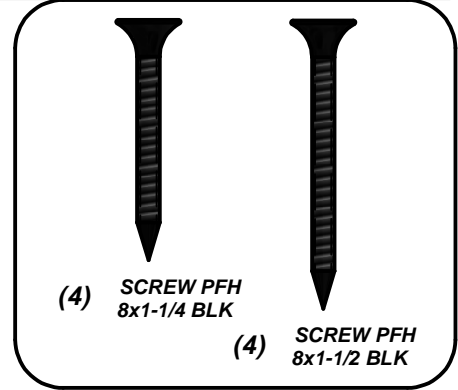
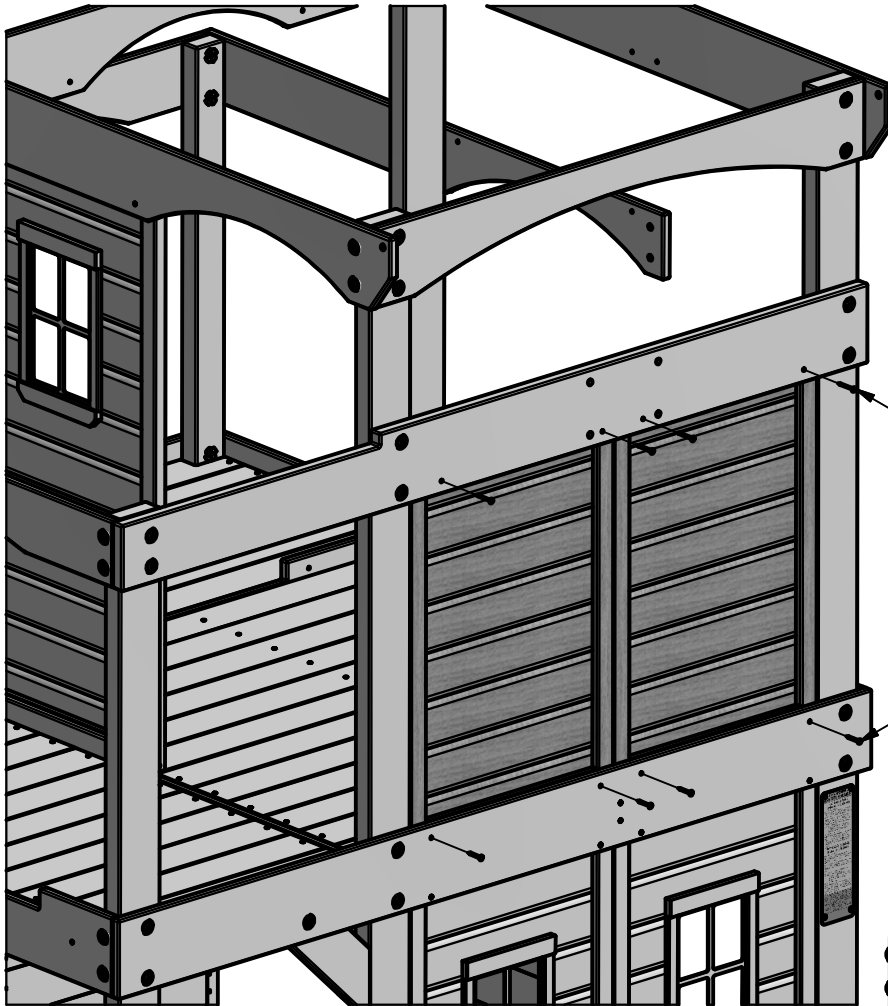
STEP 36





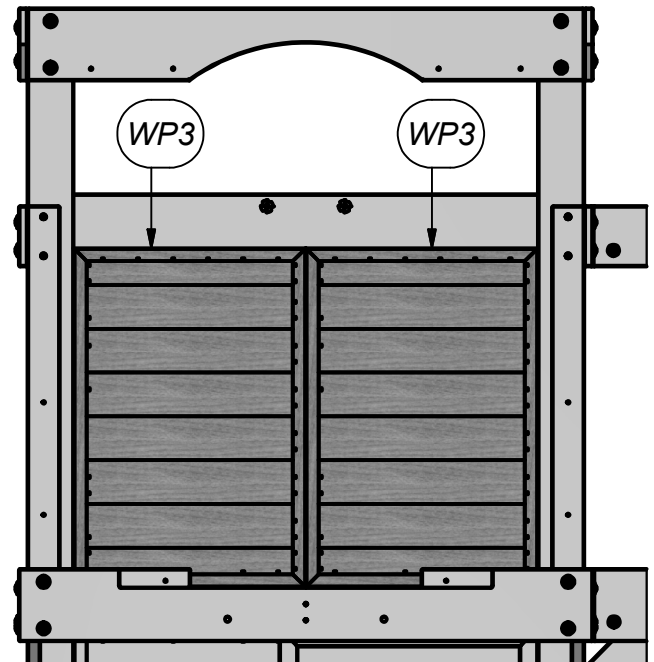
(2) WP3 - TOP RIGHT FRONT WALL PANEL - W2A02084
1"x16 7/8"x24 5/8" (24x430x627)

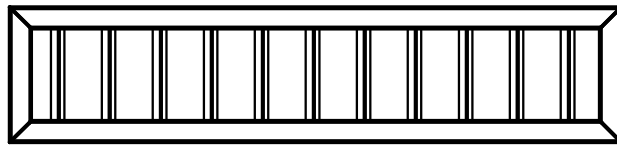
STEP 37



SCREW PFH 8x1-1/2 BLK
(4 PLCS)

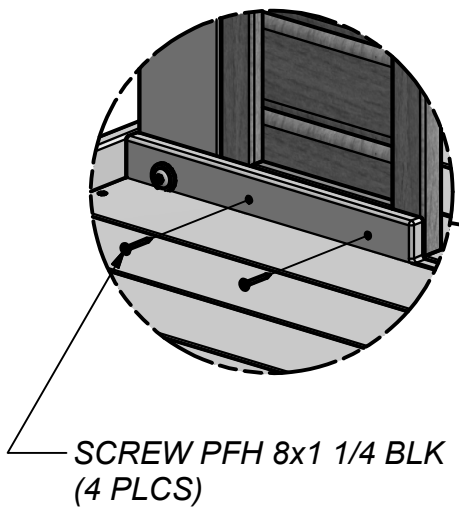
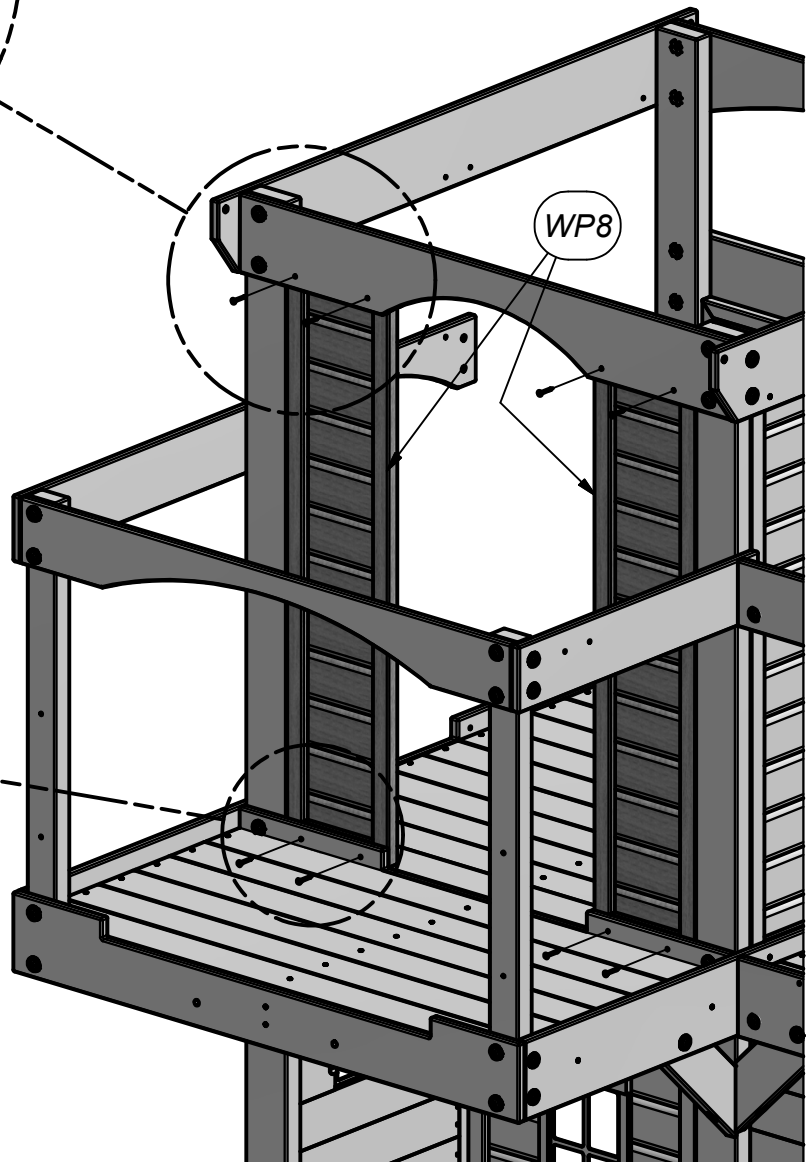
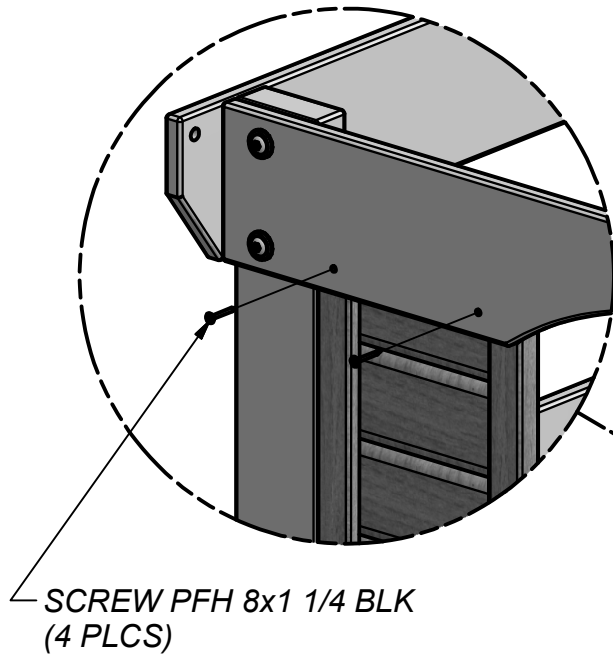
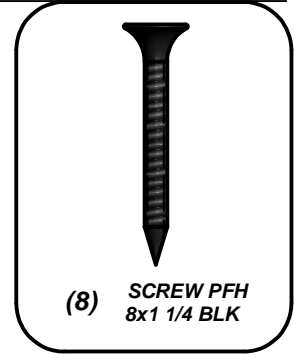
SCREW PFH 8x1-1/4 BLK
(4 PLCS)

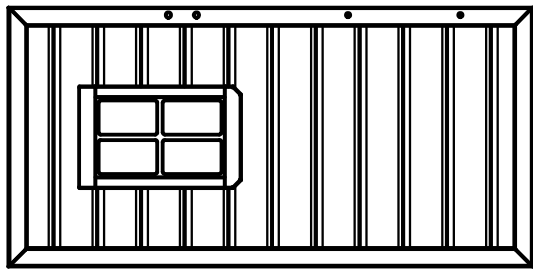




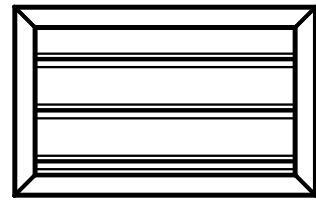
(2) WP8 - TOP LEFT WALL PANEL - W2A02089
1"x11 3/4"x38 1/4" (24x214x971)

STEP 38



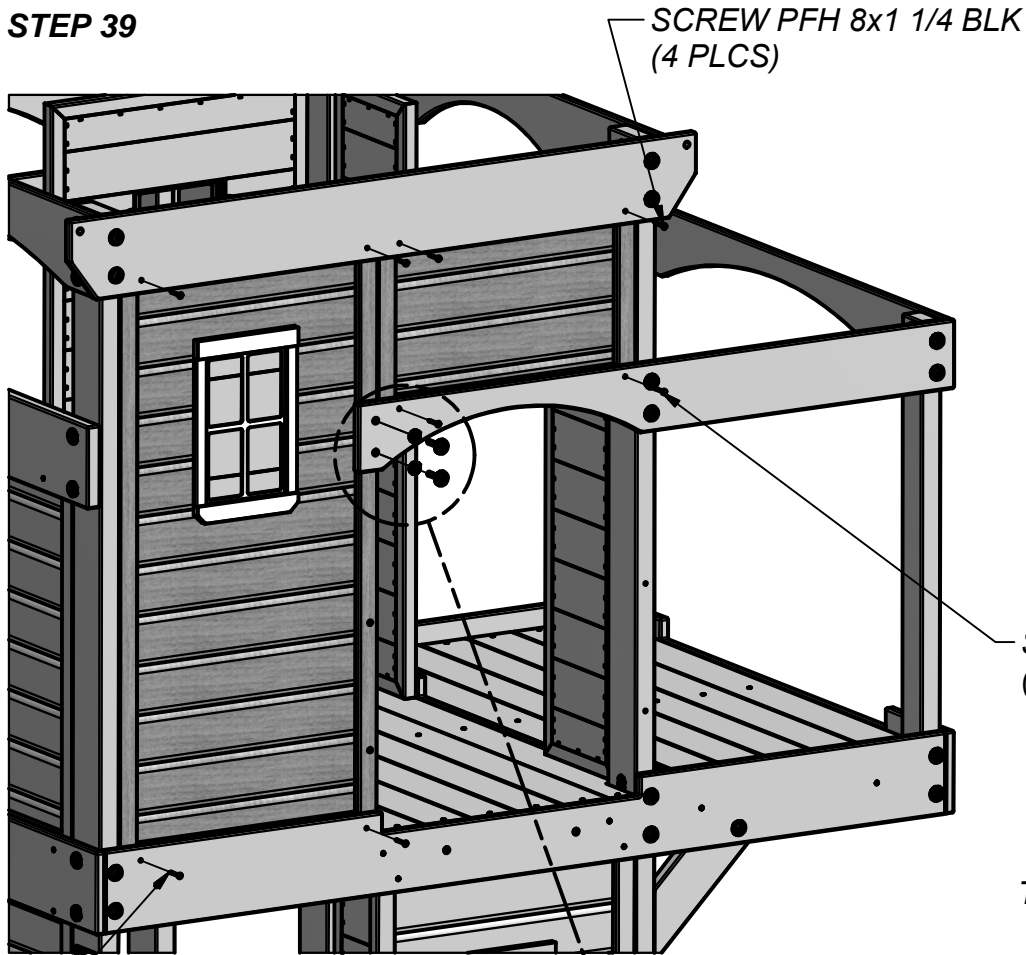


(1) WP5 - TOP LEFT REAR WALL PANEL - W2A02086
1"x16 7/8"x46 1/2" (24x430x971)

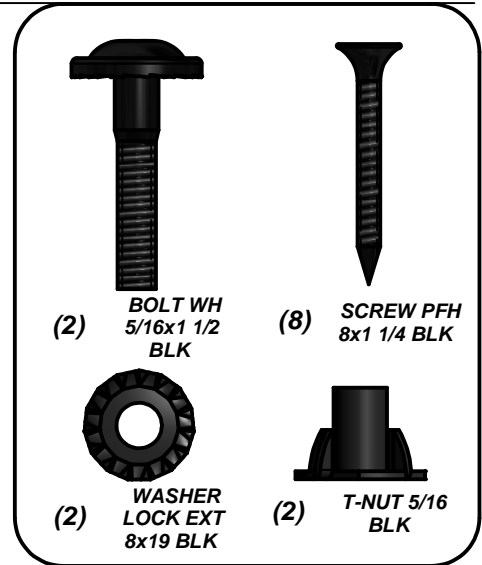


(1) WP6 - TOP REAR WALL PANEL - W2A02087
1"x18 7/8"x11 3/4" (24x479x300)

STEP 39



SCREW PFH 8x1 1/4 BLK
(4 PLCS)



(2) BOLT WH
5/16x1 1/2
BLK

(8) SCREW PFH
8x1 1/4 BLK

(2) WASHER
LOCK EXT
8x19 BLK

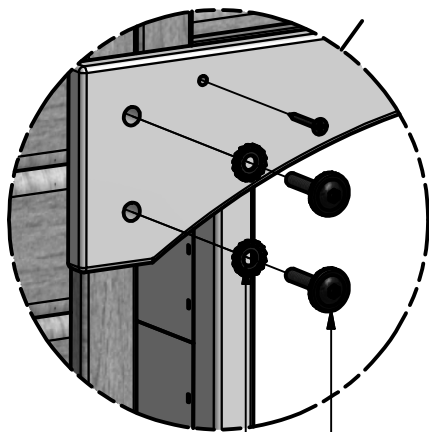
(2) T-NUT 5/16
BLK

SCREW PFH 8x1 1/4 BLK
(2 PLCS)

100 mm [3 7/8 in]

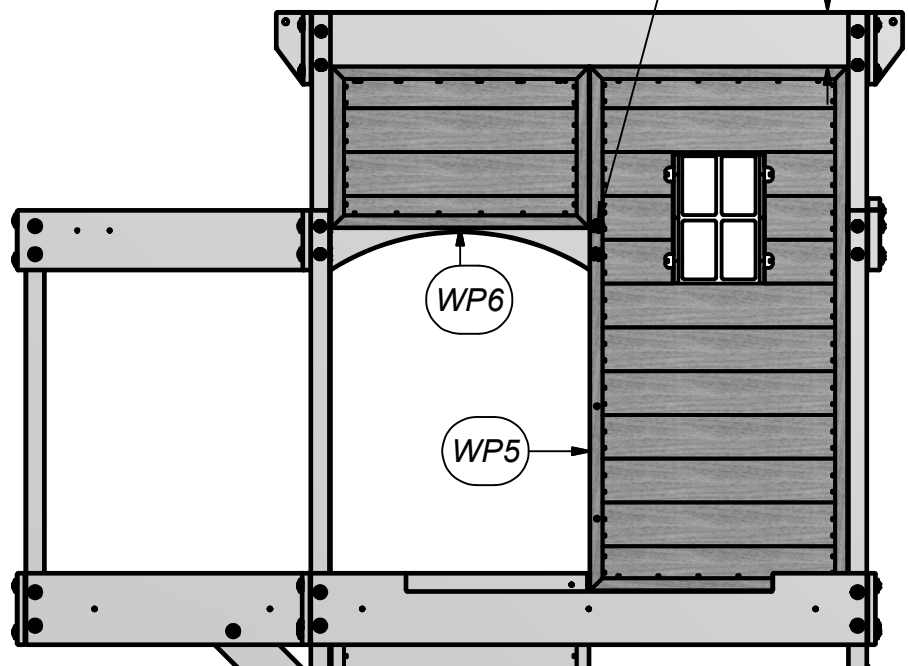
T-NUT 5/16 BLK
(2 PLCS)

SCREW PFH 8x1 1/4 BLK
(2 PLCS)



WASHER LOCK EXT 8x19 BLK
(2 PLCS)

BOLT WH 5/16x1 1/2 BLK
(2 PLCS)



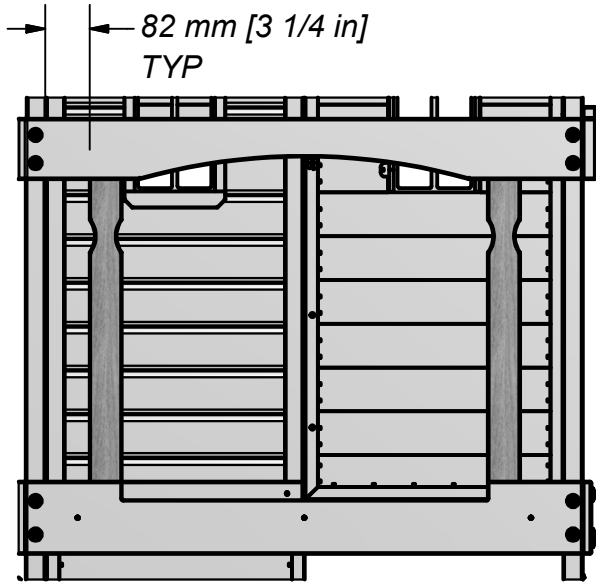
WP6

WP5

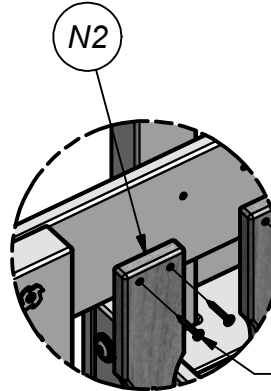


(8) N2 - PICKET - W4L07612
5/8"x2 3/8"x24 3/4" (16x60x628)

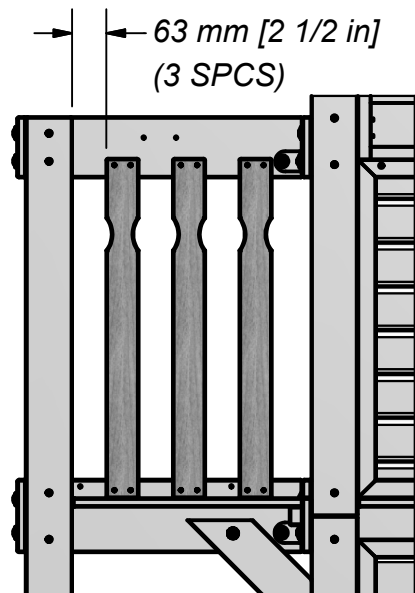
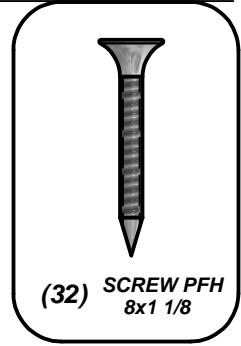
STEP 40



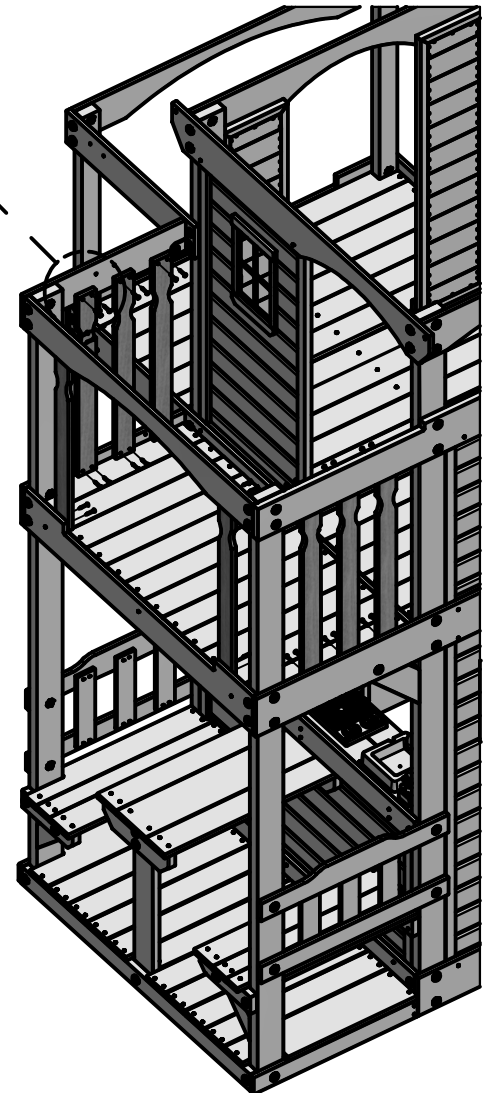
FRONT PICKET PLACEMENT

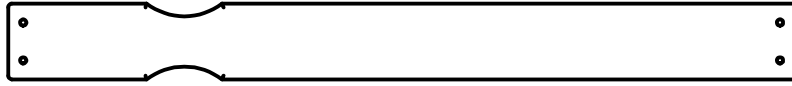


SCREW PFH 8x1 1/8
(32 PLCS)



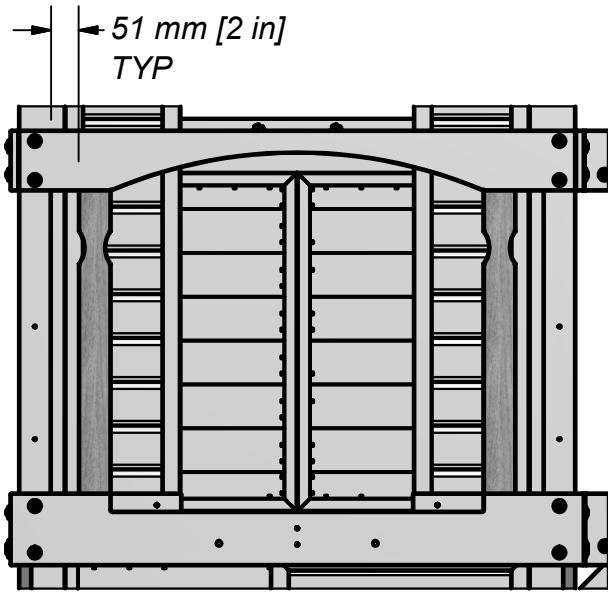
LEFT & RIGHT PICKET PLACEMENT



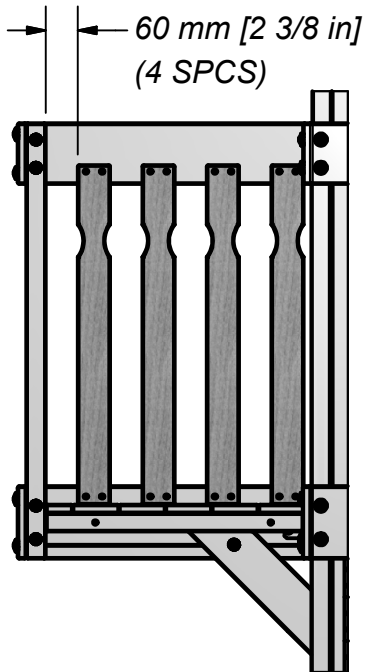


(10) **N2 - PICKET - W4L07612**
5/8"x2 3/8"x24 3/4" (16x60x628)

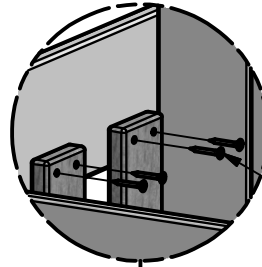
STEP 41



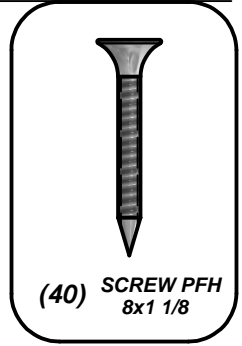
FRONT PICKET PLACEMENT



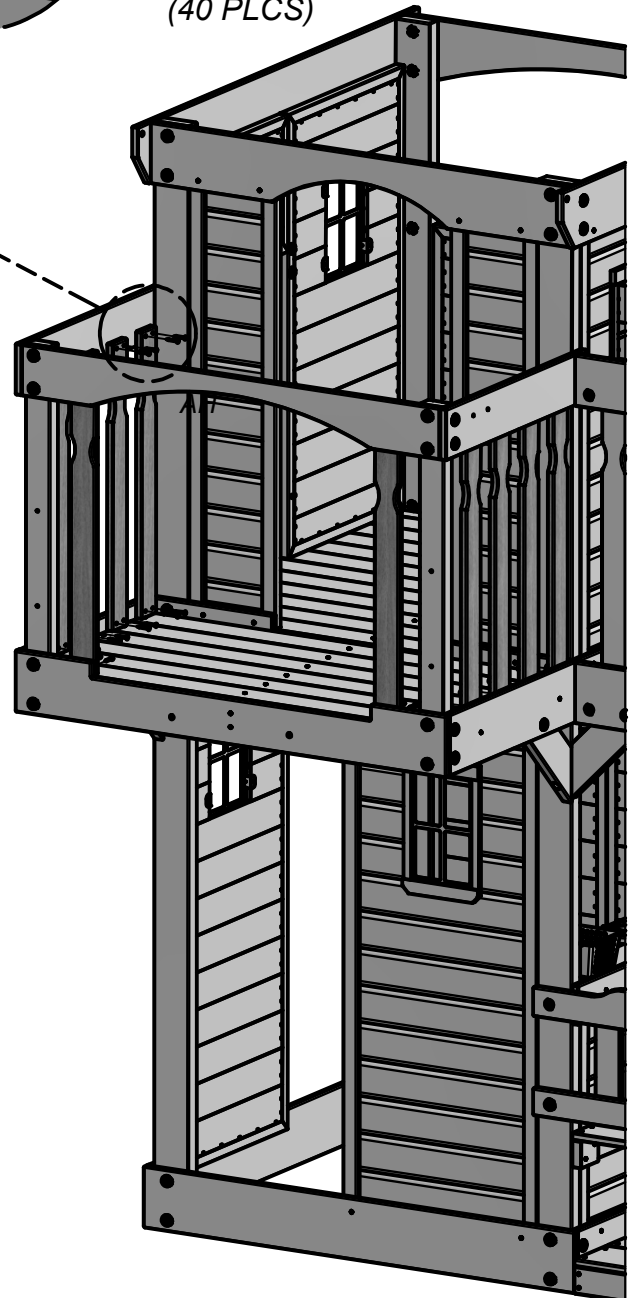
LEFT & RIGHT PICKET PLACEMENT

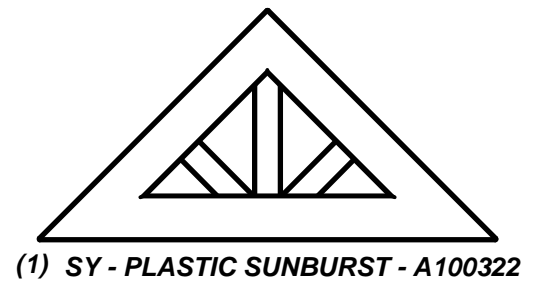
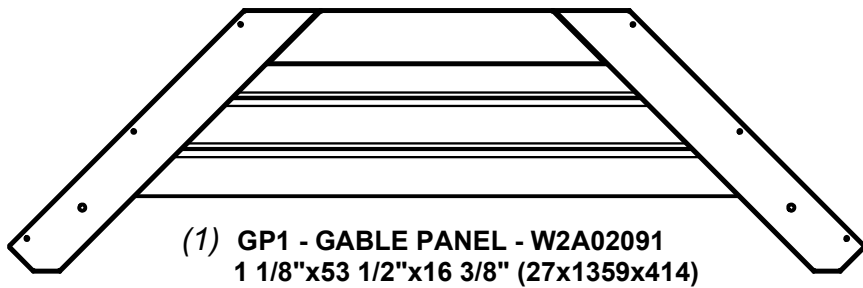


SCREW PFH 8x1 1/8
(40 PLCS)

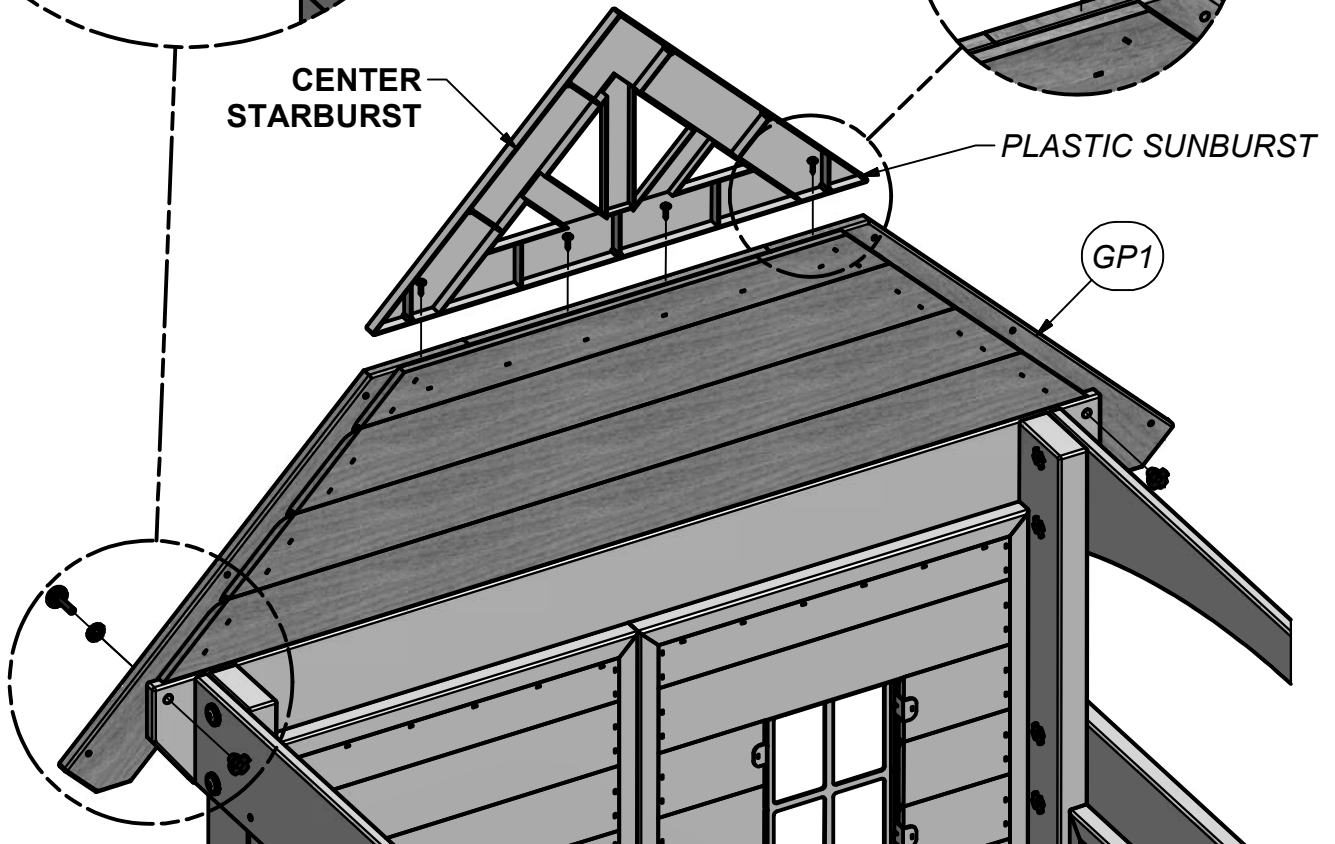
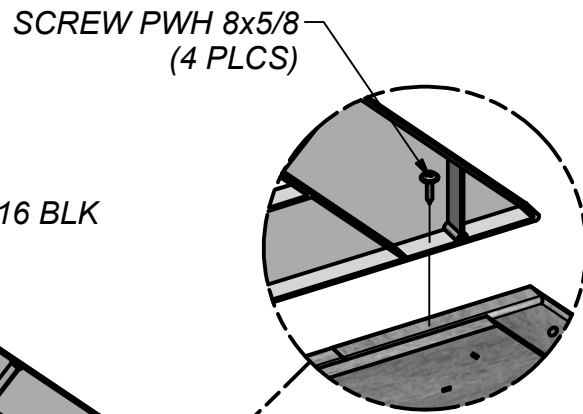
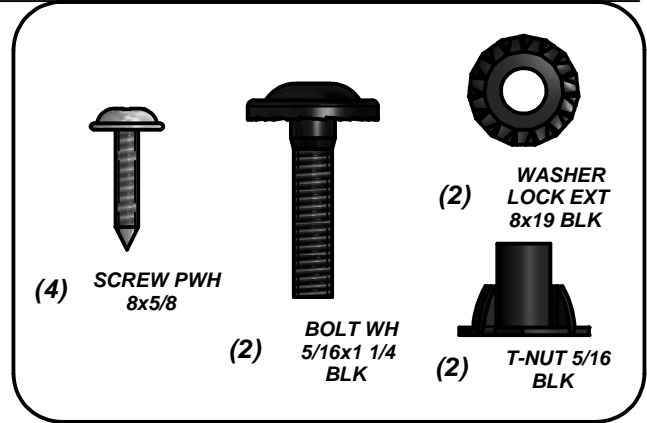
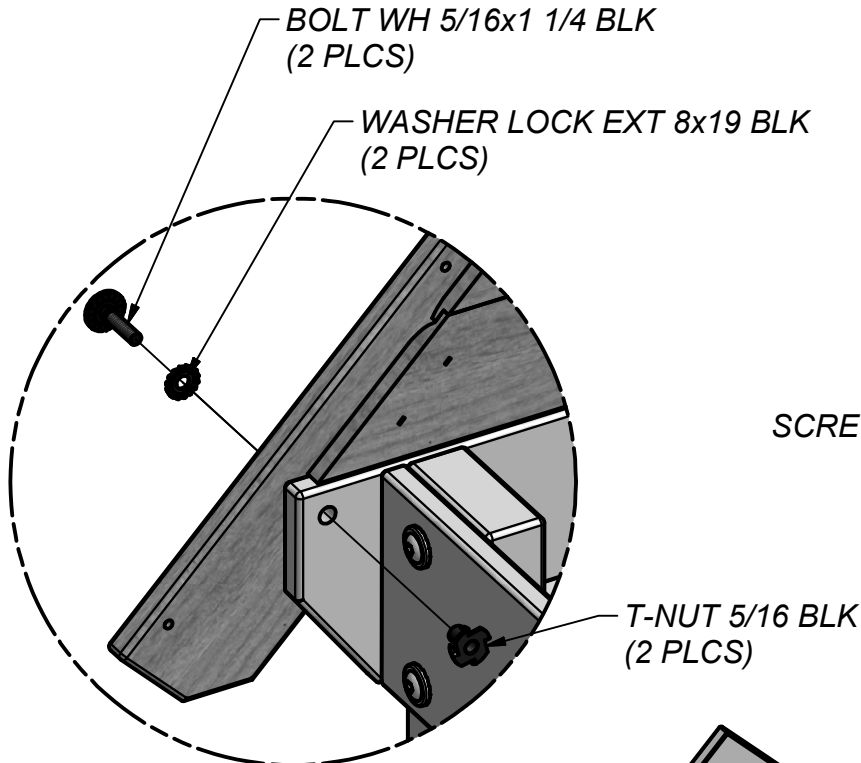


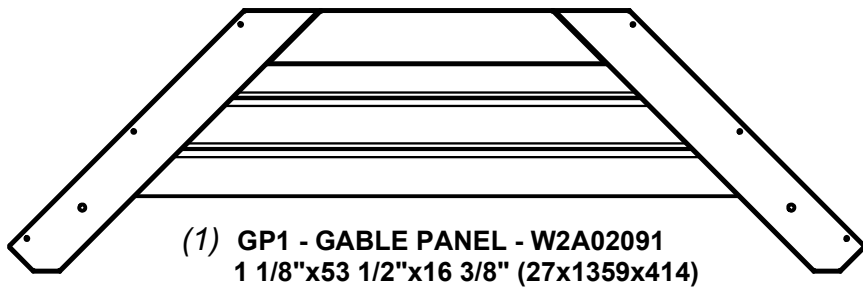
(40) SCREW PFH
8x1 1/8



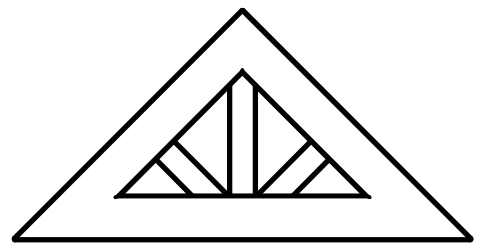


STEP 42





(1) GP1 - GABLE PANEL - W2A02091
1 1/8"x53 1/2"x16 3/8" (27x1359x414)



(1) SY - PLASTIC SUNBURST - A100322

STEP 43

BOLT WH 5/16x1 1/4 BLK
(2 PLCS)

WASHER LOCK EXT 8x19 BLK
(2 PLCS)

(4) SCREW PWH
8x5/8

(2) BOLT WH
5/16x1 1/4
BLK

(2) WASHER
LOCK EXT
8x19 BLK

(2) T-NUT 5/16
BLK

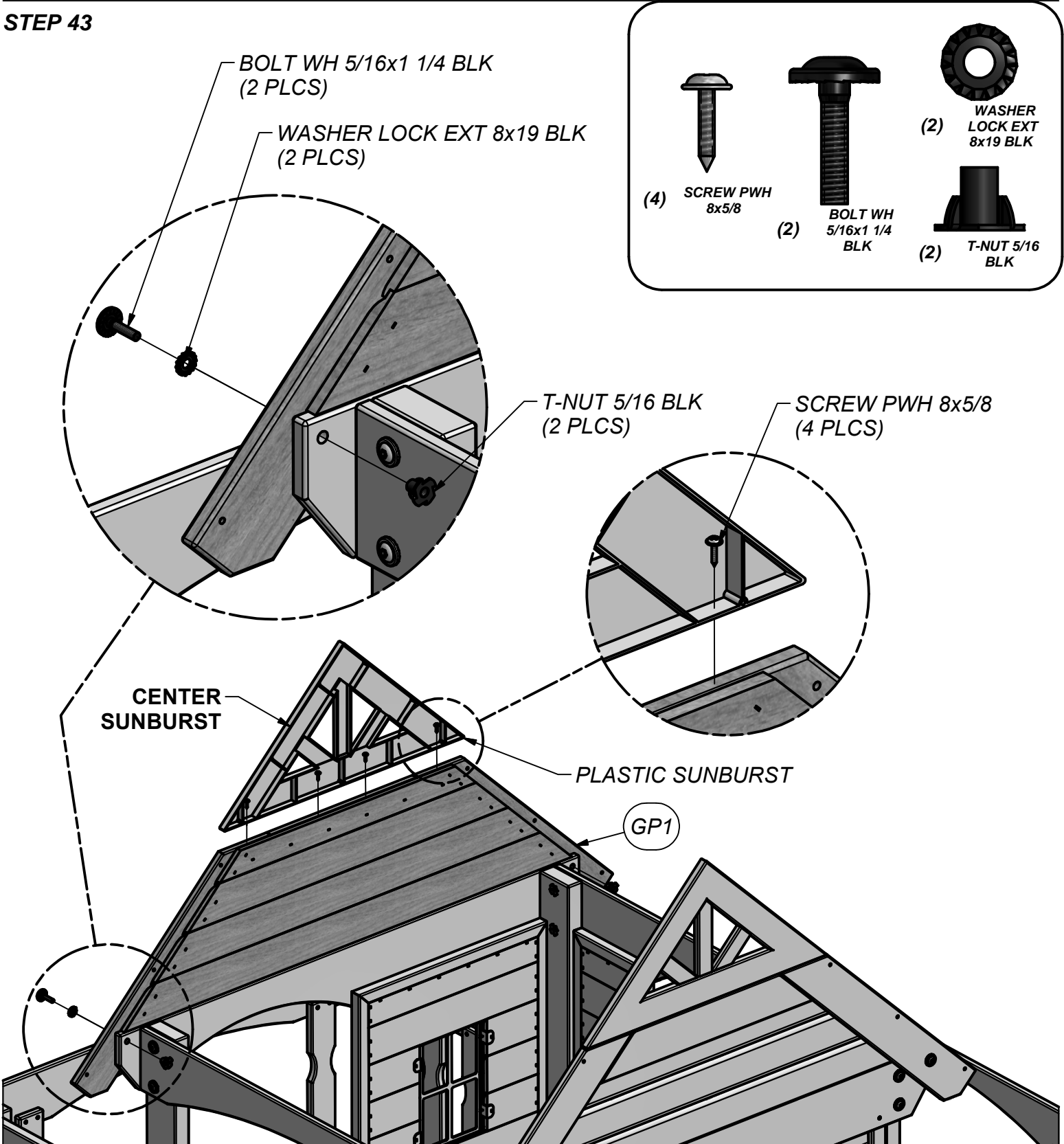
T-NUT 5/16 BLK
(2 PLCS)

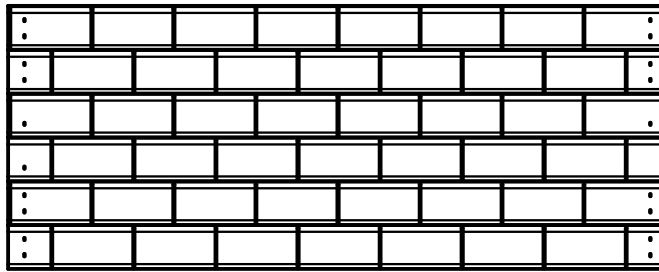
SCREW PWH 8x5/8
(4 PLCS)

CENTER
SUNBURST

PLASTIC SUNBURST

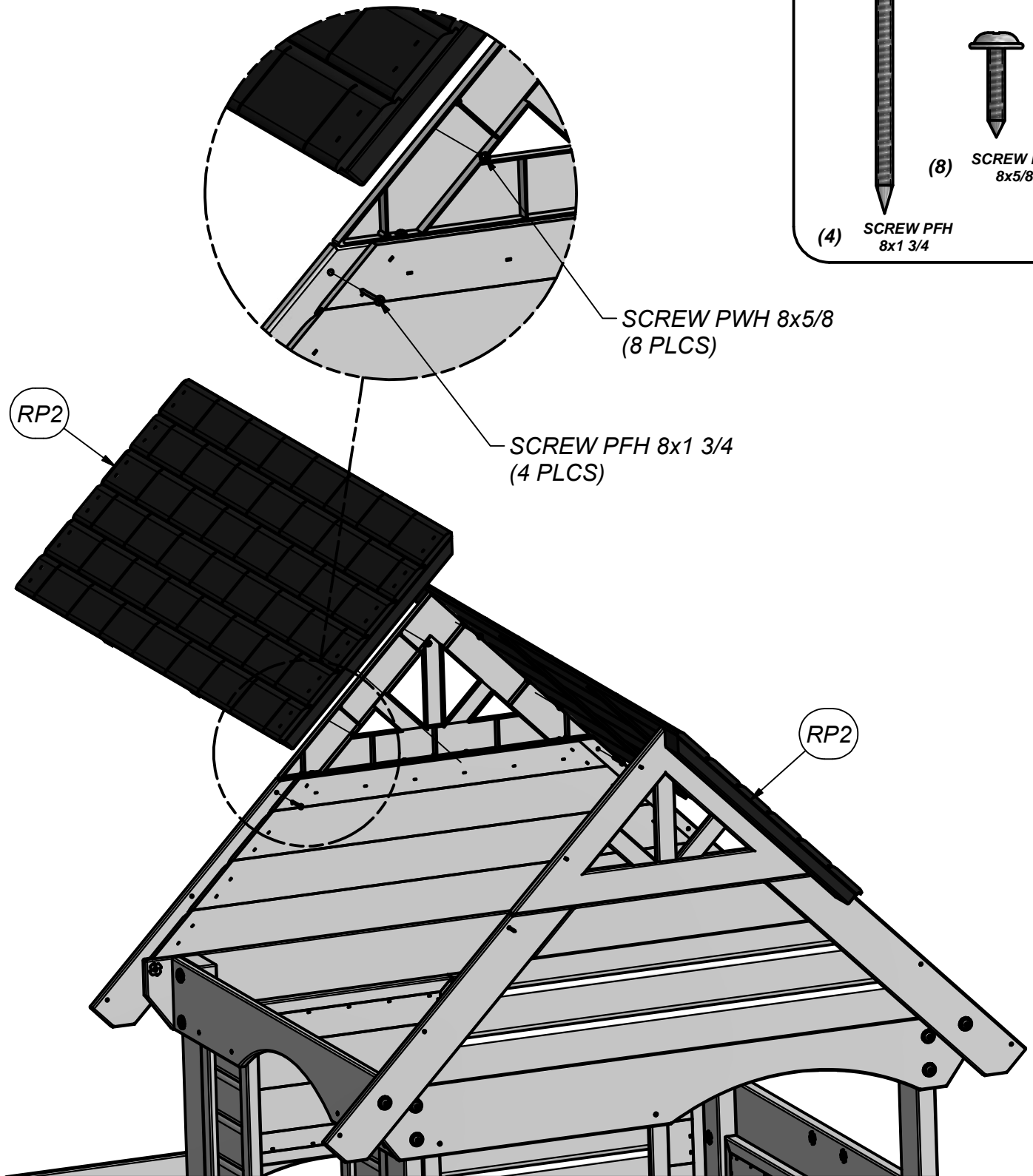
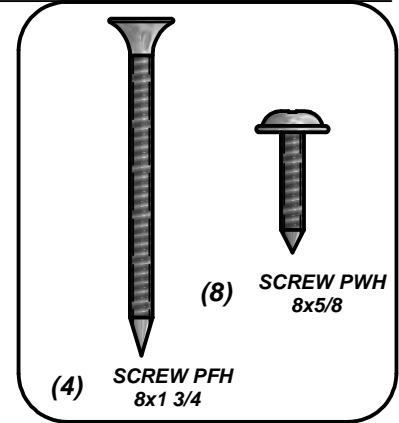
GP1

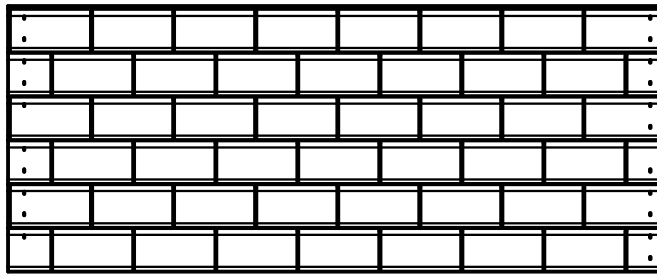




(2) RP2 - TOP ROOF PANEL - W2A02093
1 3/8"x48"x19 1/8" (35x1220x486)

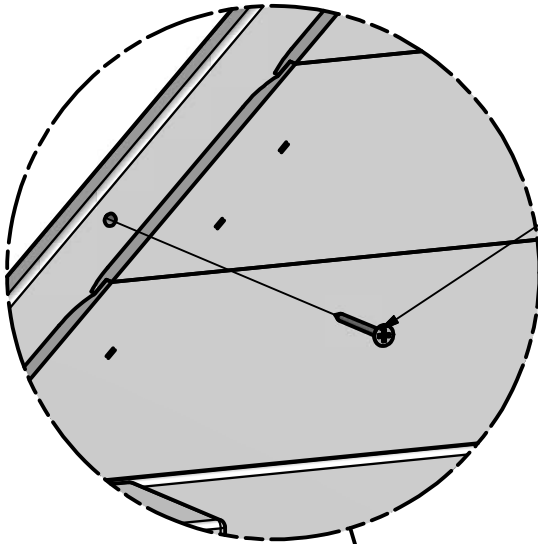
STEP 44



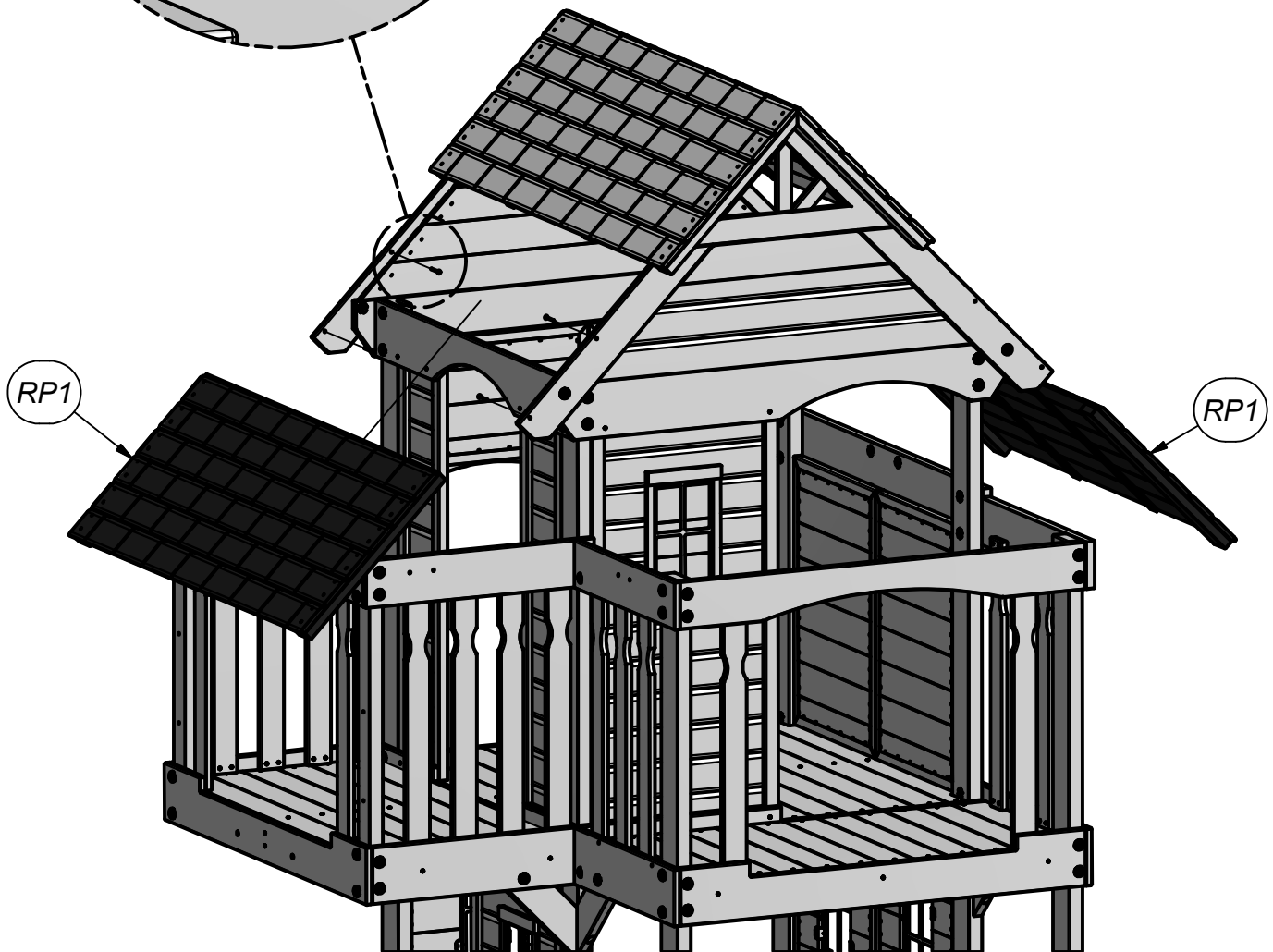
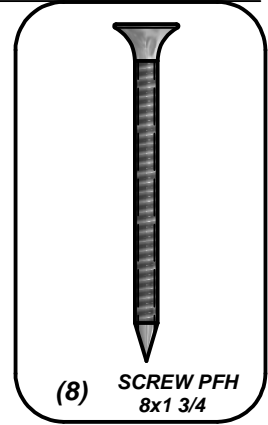


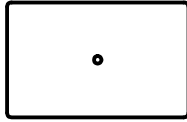
(2) RP1 - BOTTOM ROOF PANEL - W2A02092
1 3/8"x48"x19 3/8" (35x1220x491)

STEP 45

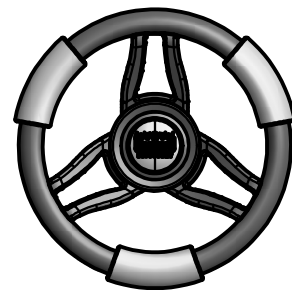


SCREW PFH 8x1 3/4
(8 PLCS)



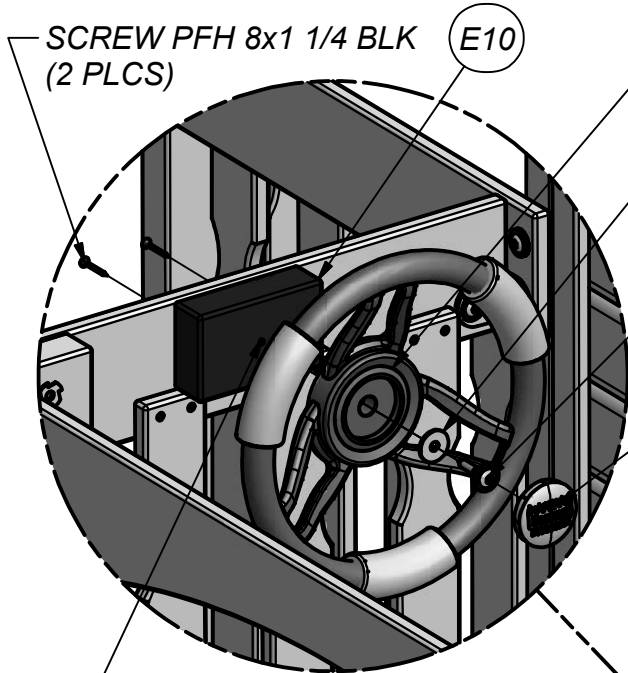


(1) **E10 - MOUNTING BLOCK - W4L07615**
 1 3/8"x3"x4 3/4" (36x76x120)



(1) **LP - STEERING WHEEL - A100105**

STEP 46



SCREW PFH 8x1 1/4 BLK
 (2 PLCS)

E10

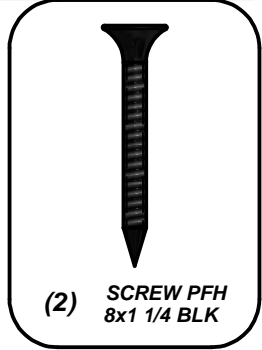
STEERING WHEEL

WASHER FLAT 8x27
 (INCLUDED IN KIT)

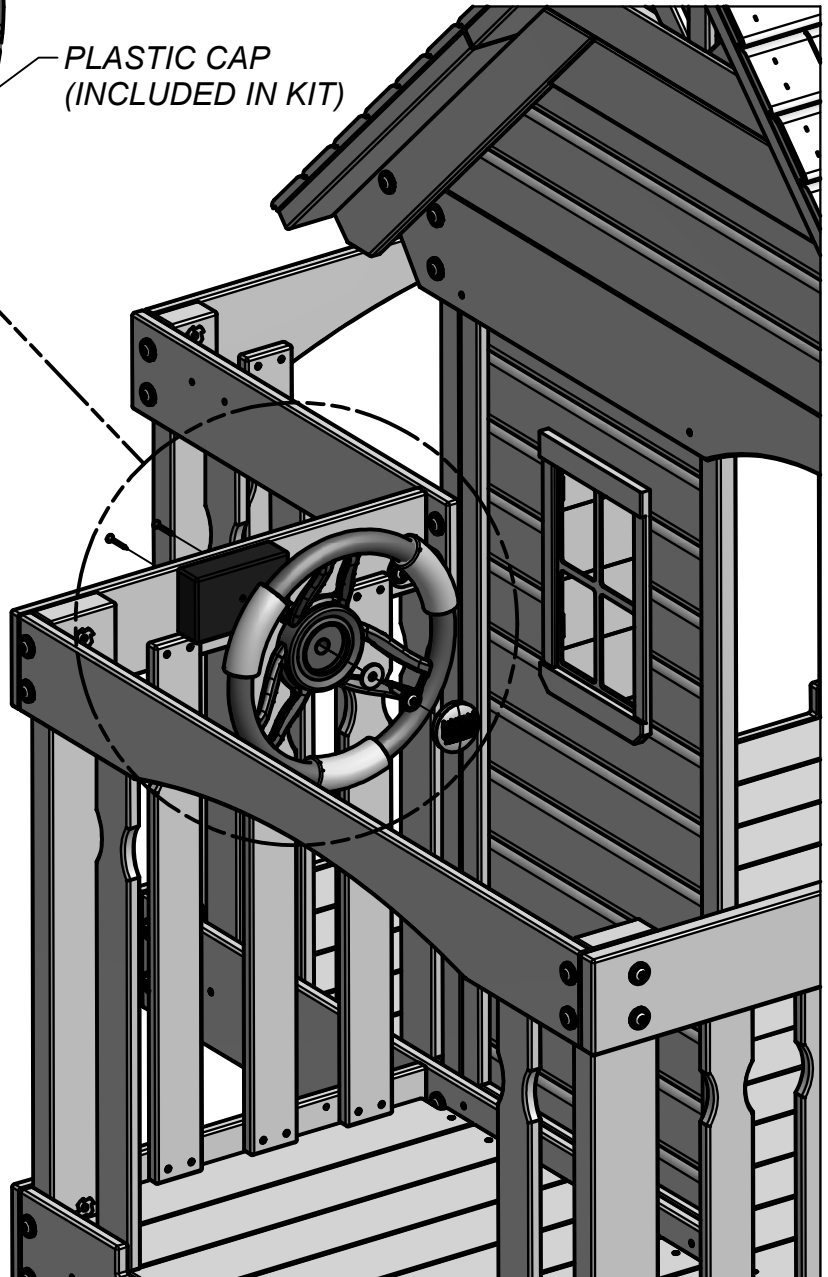
LAG SCREW WH 5/16x1 1/2
 (INCLUDED IN KIT)

PLASTIC CAP
 (INCLUDED IN KIT)

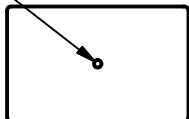
NOTE HOLE LOCATION
 FOR PROPER ORIENTATION.



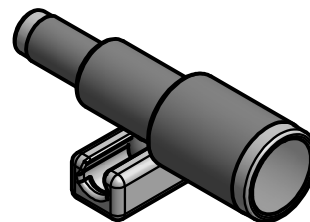
(2) SCREW PFH
 8x1 1/4 BLK



THIS HOLE FACES THE
RAIL IN THIS STEP.

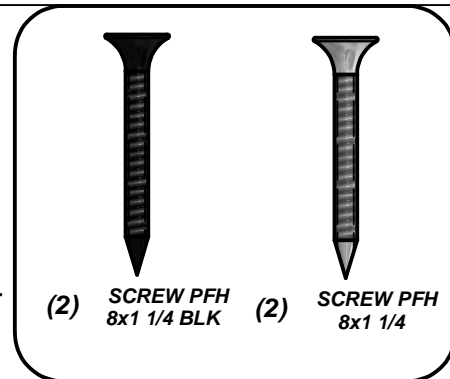
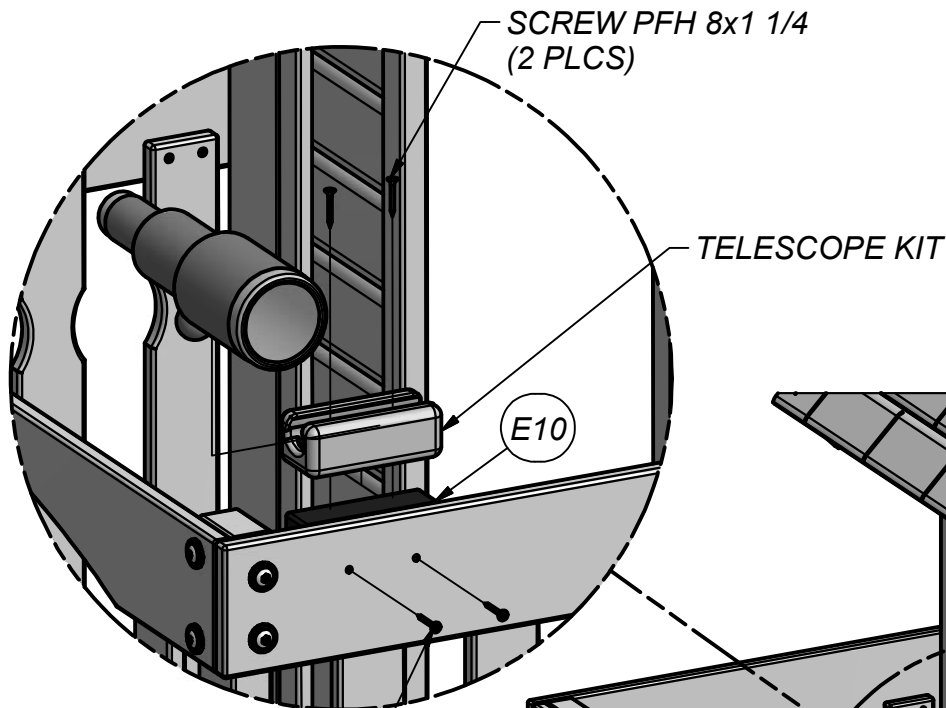


- (1) E10 - MOUNTING BLOCK - W4L07615
1 3/8"x3"x4 3/4" (36x76x120)

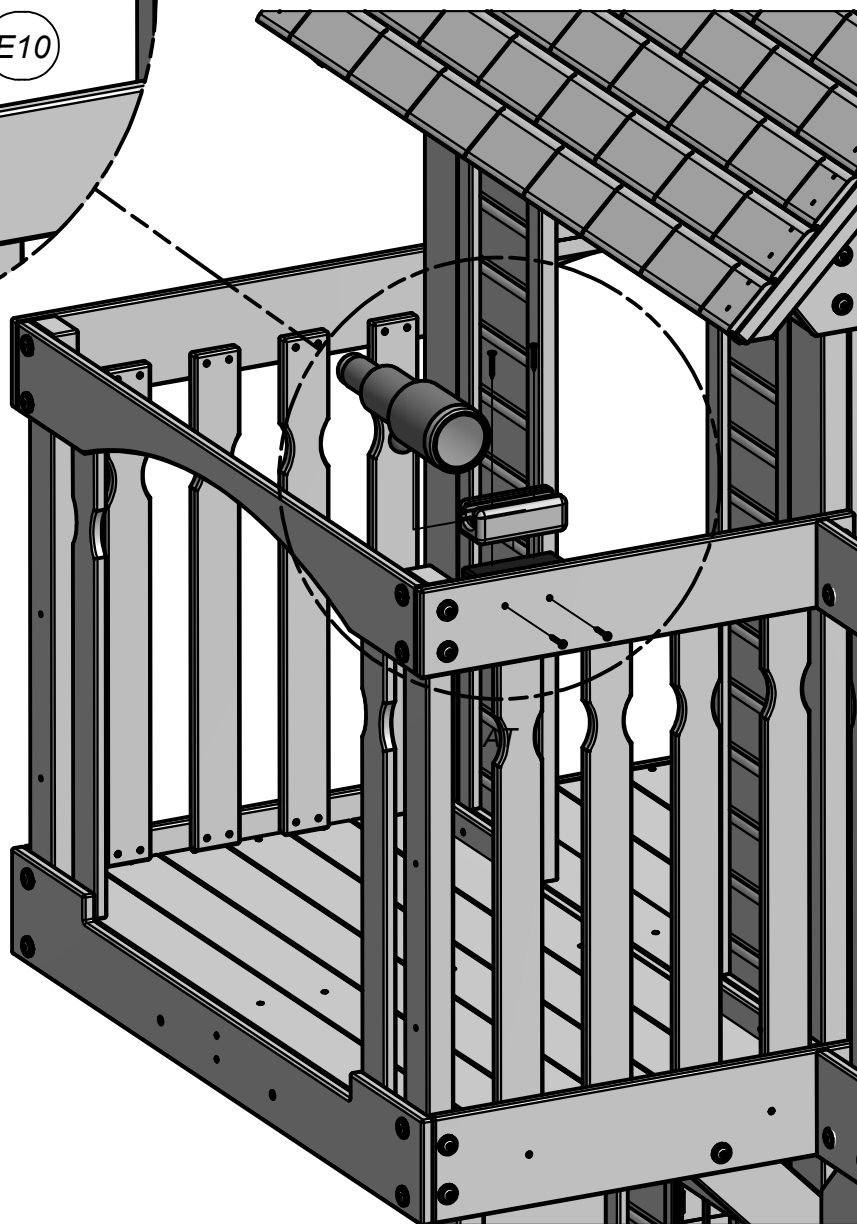


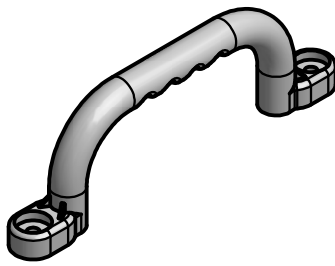
- (1) LN - Telescope - A6P00096

STEP 47



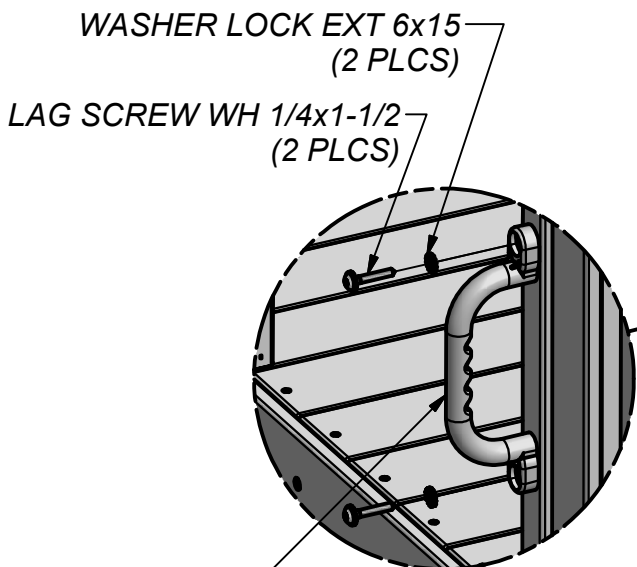
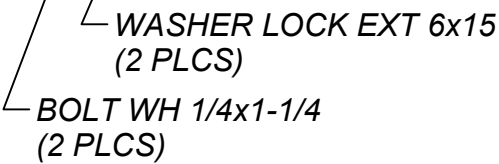
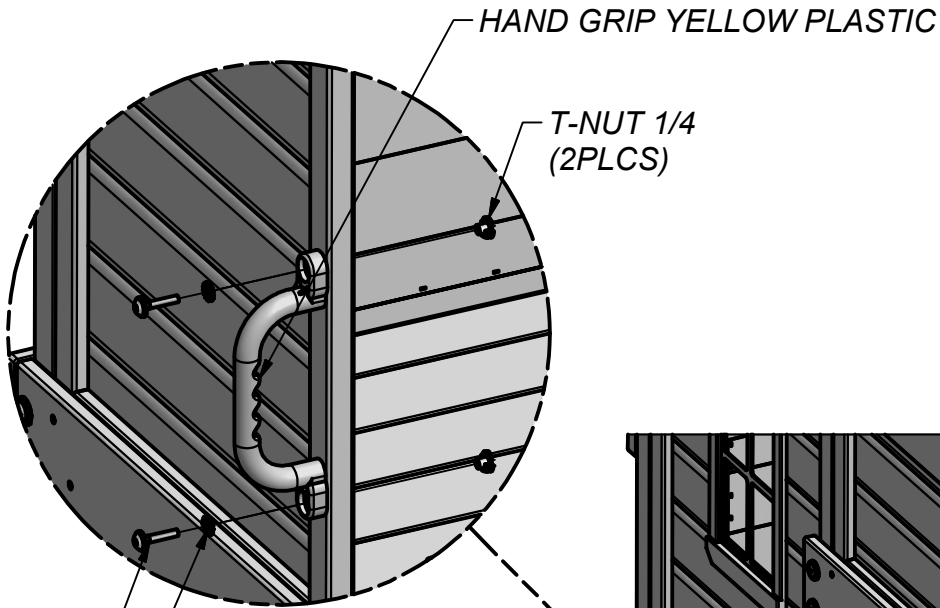
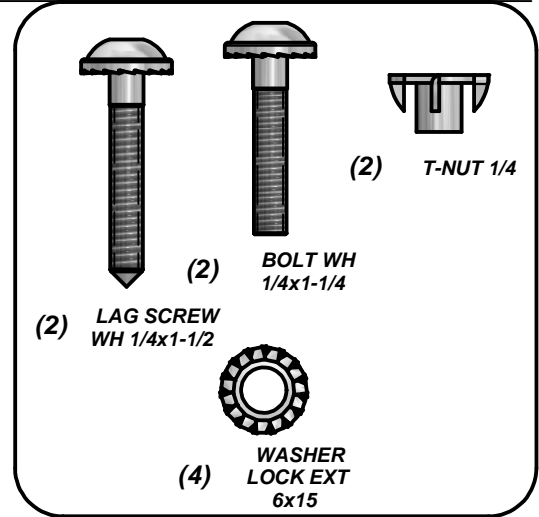
- SCREW PFH 8x1 1/4 BLK
(2 PLCS)



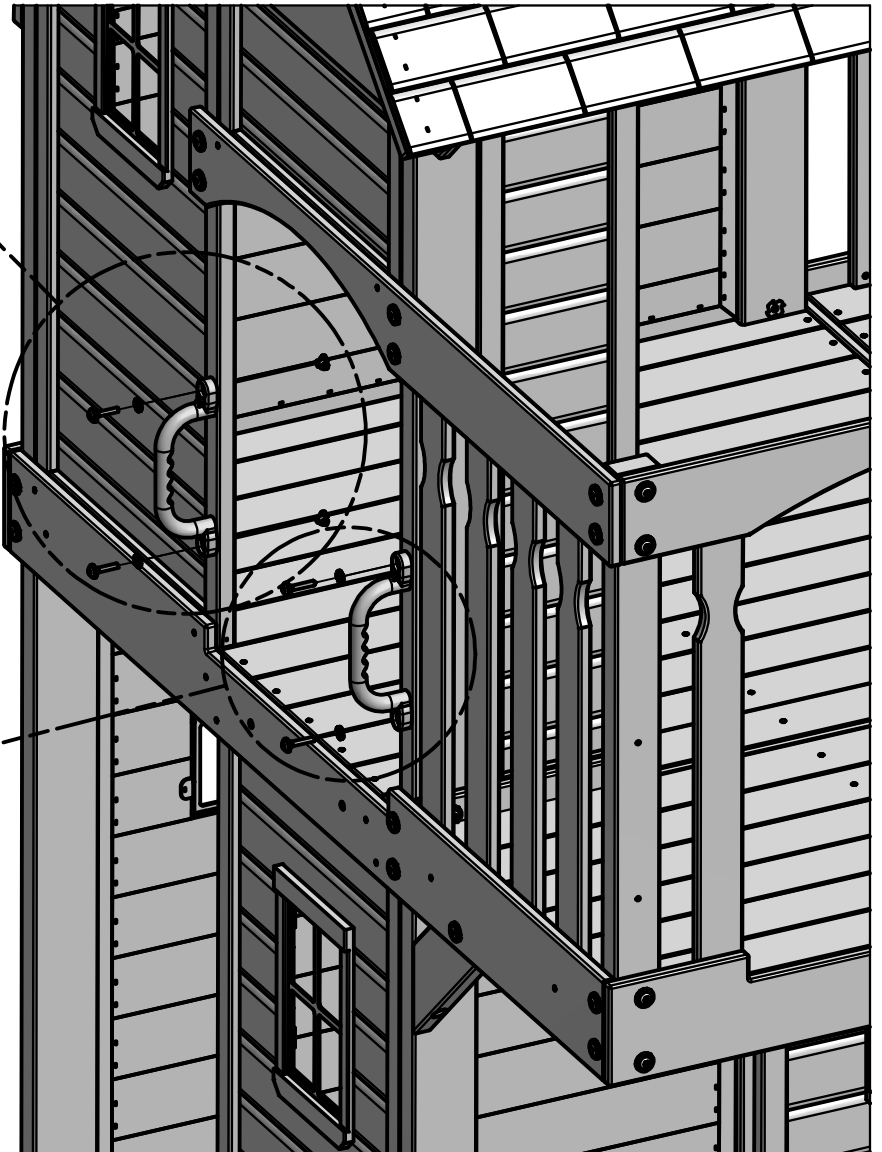


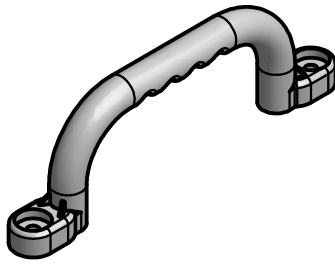
(2) EA - HAND GRIP YELLOW PLASTIC - A100043

STEP 48



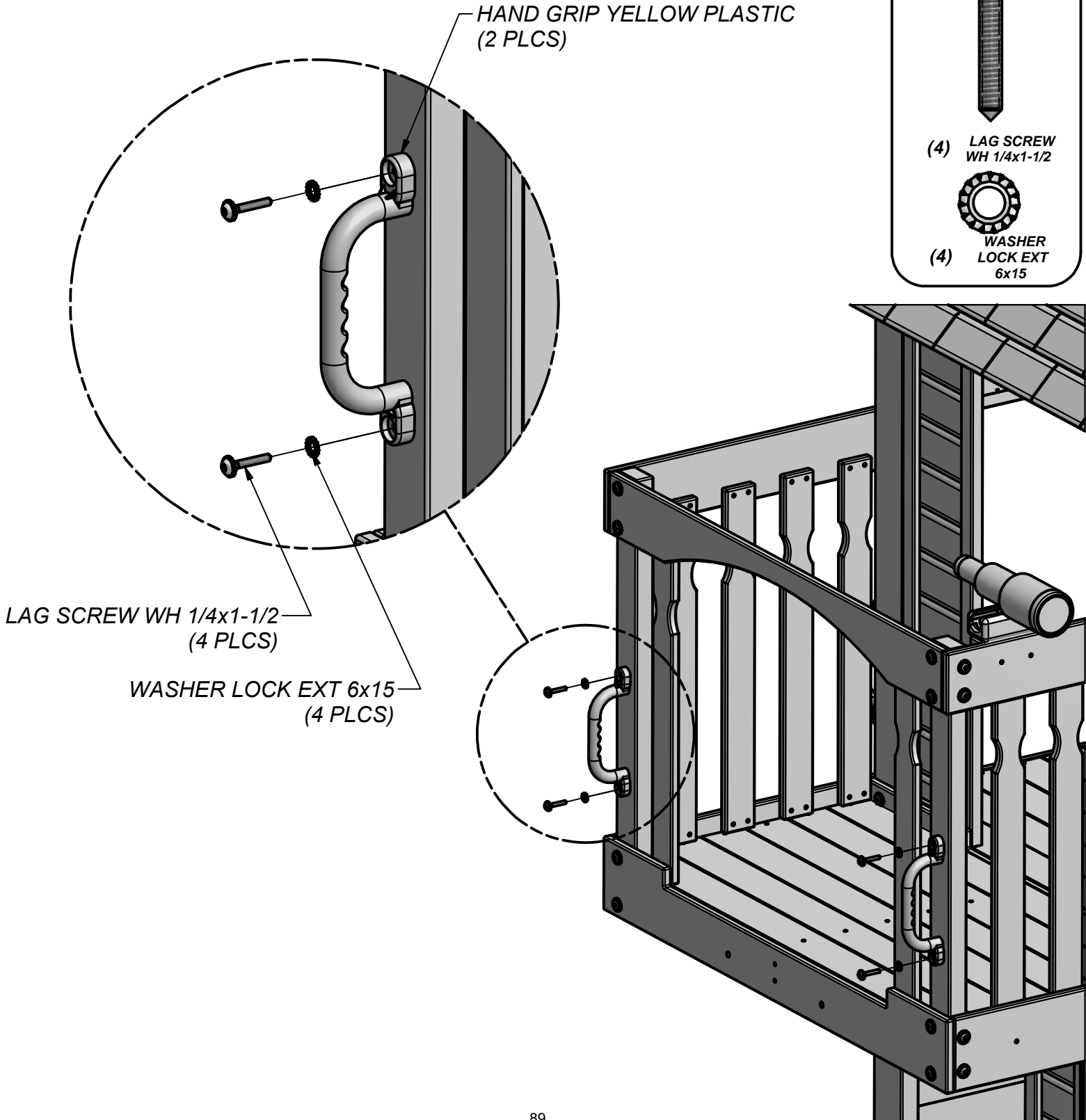
HAND GRIP YELLOW PLASTIC

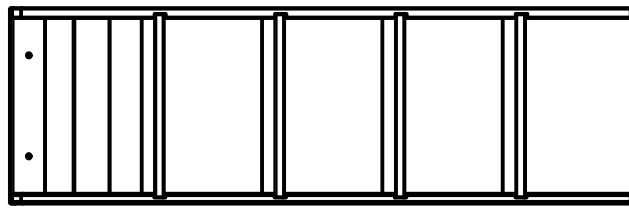




(2) EA - HAND GRIP YELLOW PLASTIC - A100043

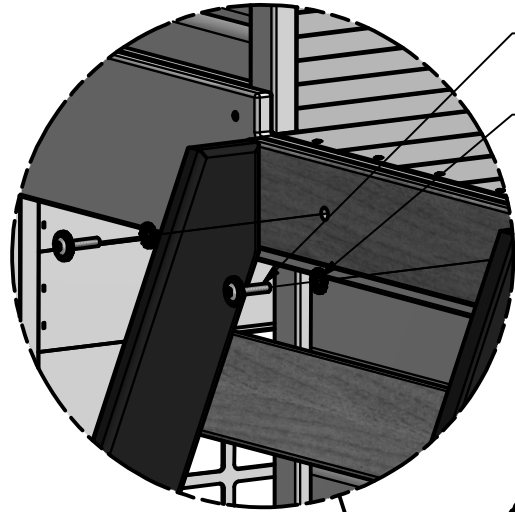
STEP 49



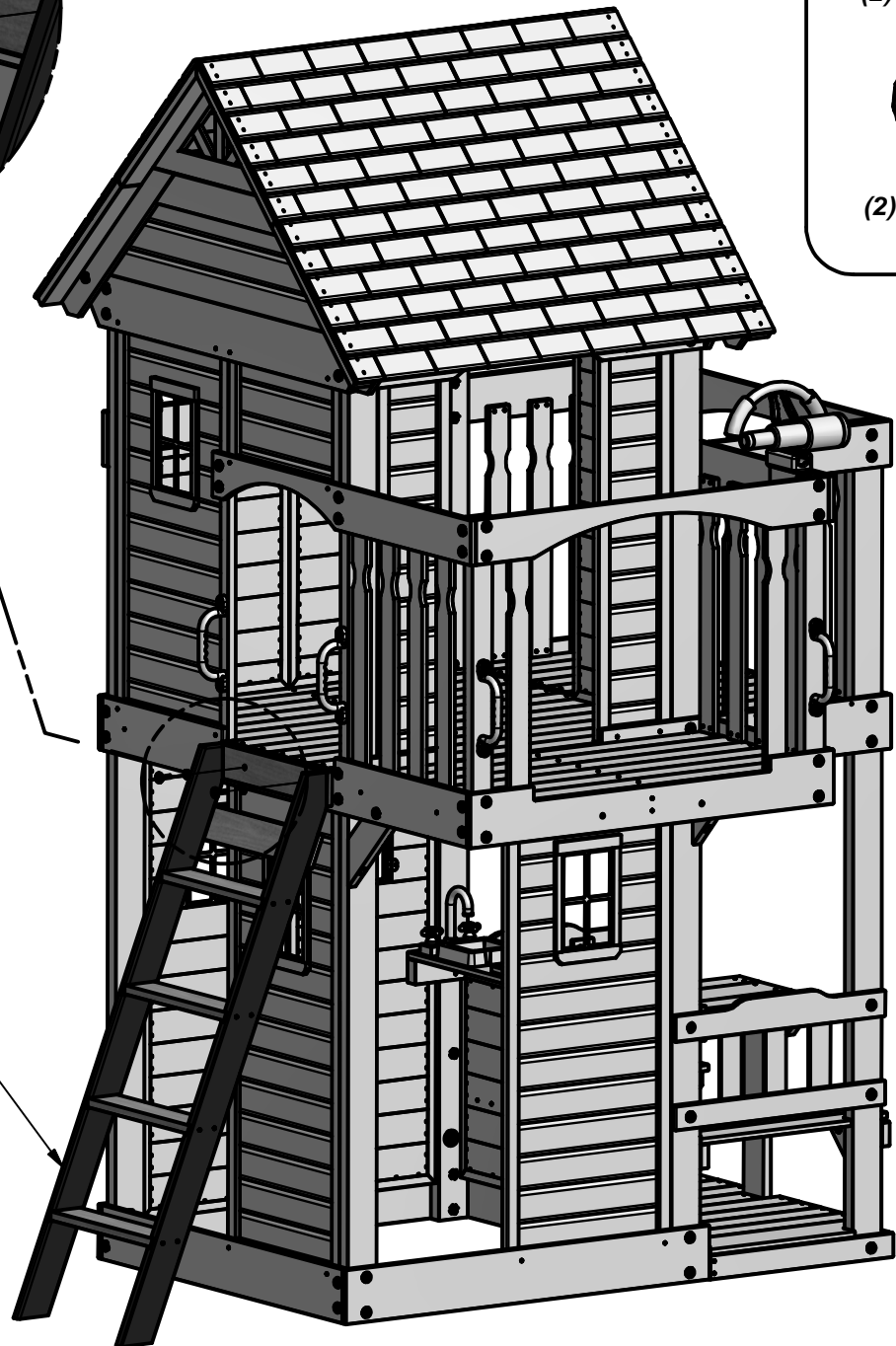
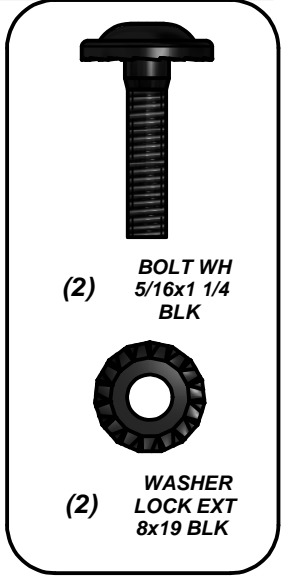


(1) LADDER ASSEMBLY

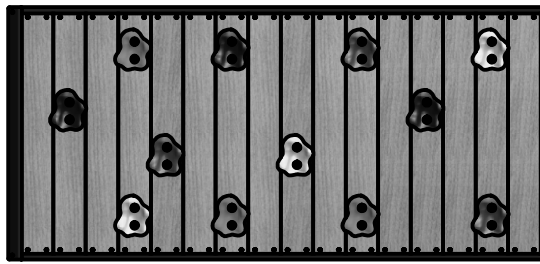
STEP 50



- BOLT WH 5/16x1 1/4 BLK
(2 PLCS)
- WASHER LOCK EXT 8x19 BLK
(2 PLCS)

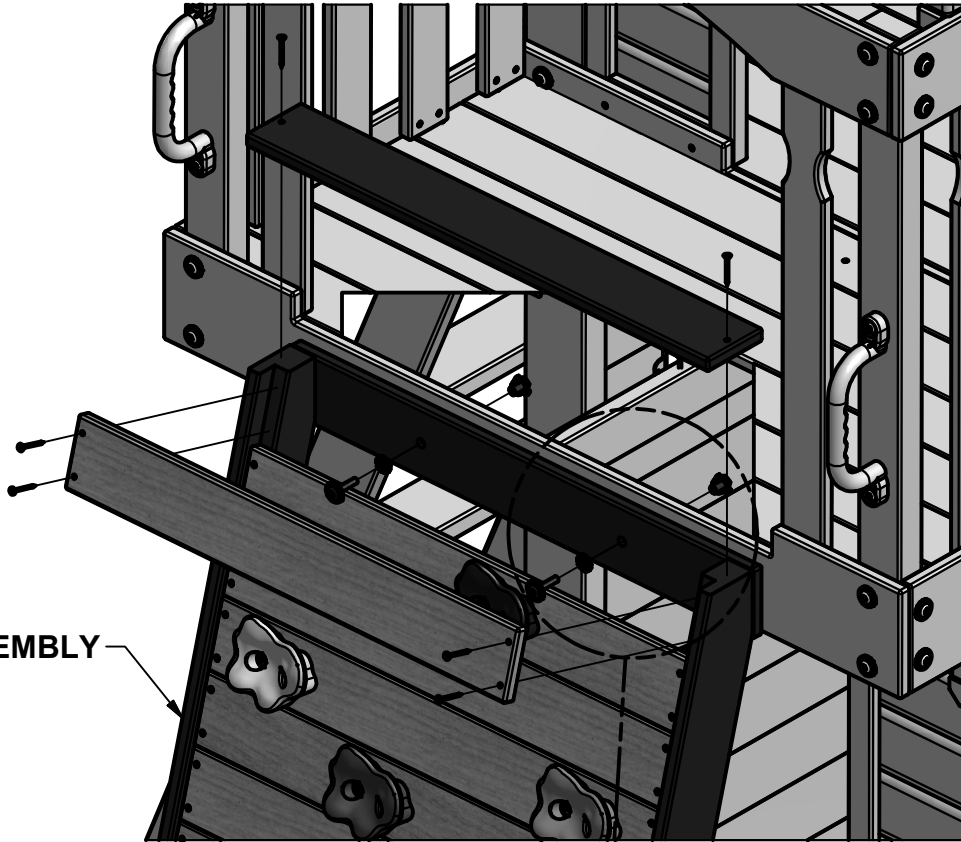


LADDER ASSEMBLY



(1) ROCKWALL ASSEMBLY

STEP 51



ROCKWALL ASSEMBLY



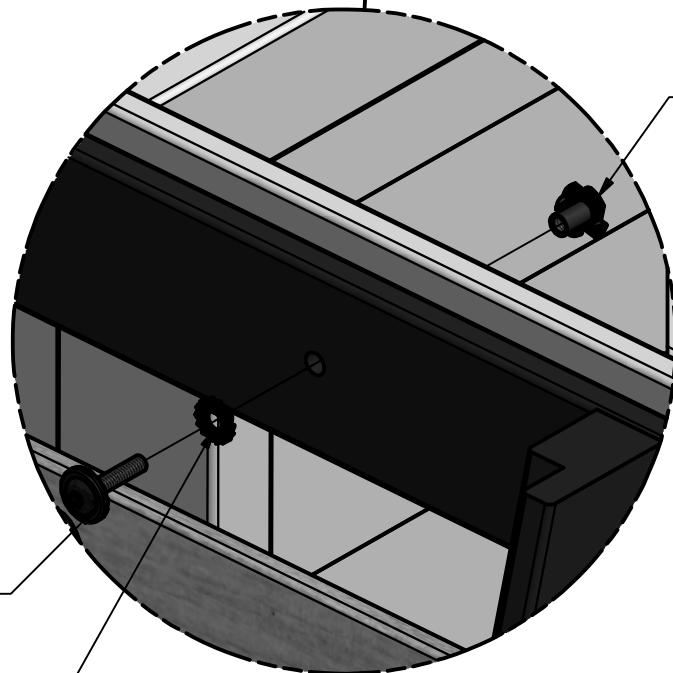
(2) BOLT WH
5/16x1 1/4
BLK



(2) WASHER
LOCK EXT
8x19 BLK



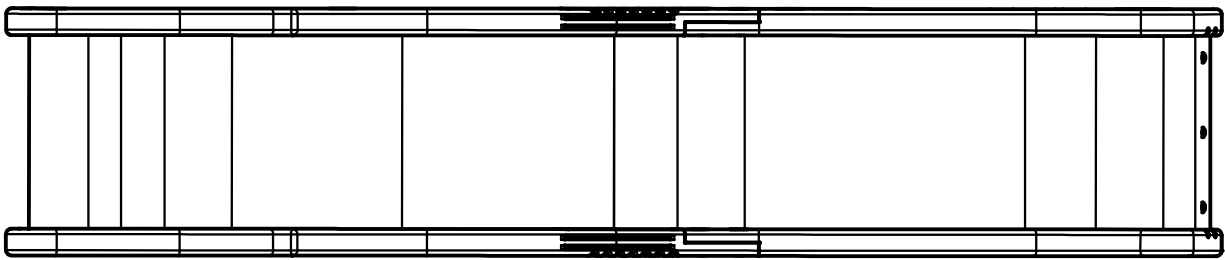
(2) T-NUT 5/16
BLK



T-NUT 5/16 BLK
(2 PLCS)

BOLT WH 5/16x1 1/4 BLK
(2 PLCS)

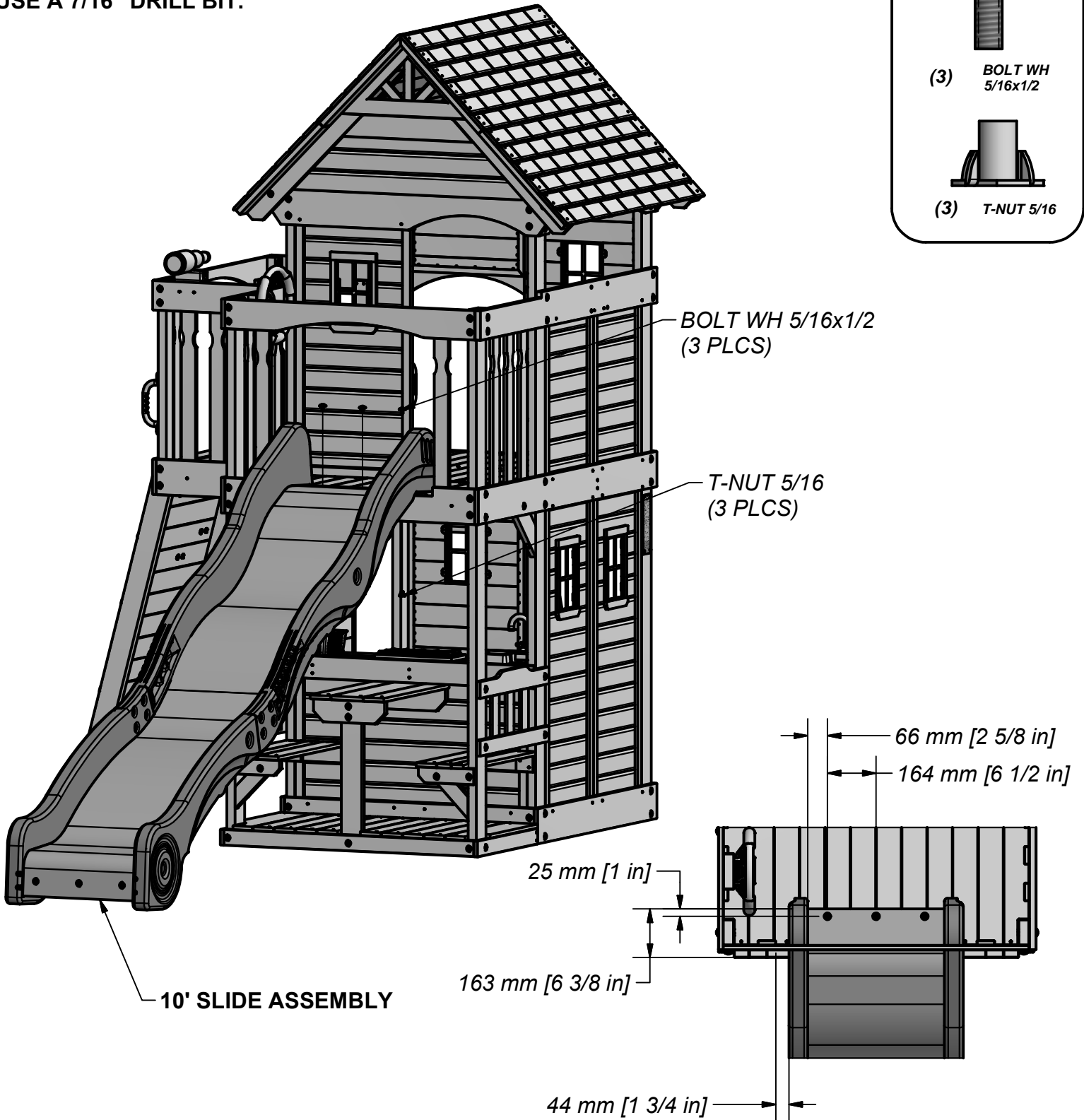
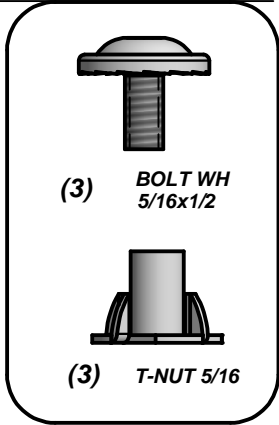
WASHER LOCK EXT 8x19 BLK
(2 PLCS)

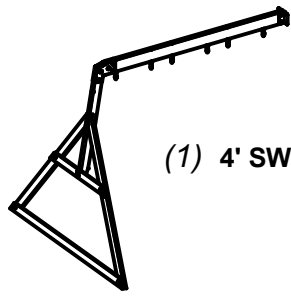


(1) 10' SLIDE ASSEMBLY

STEP 52

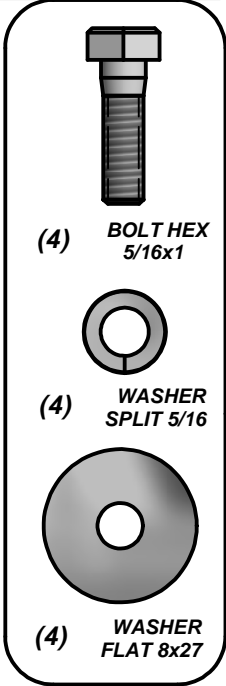
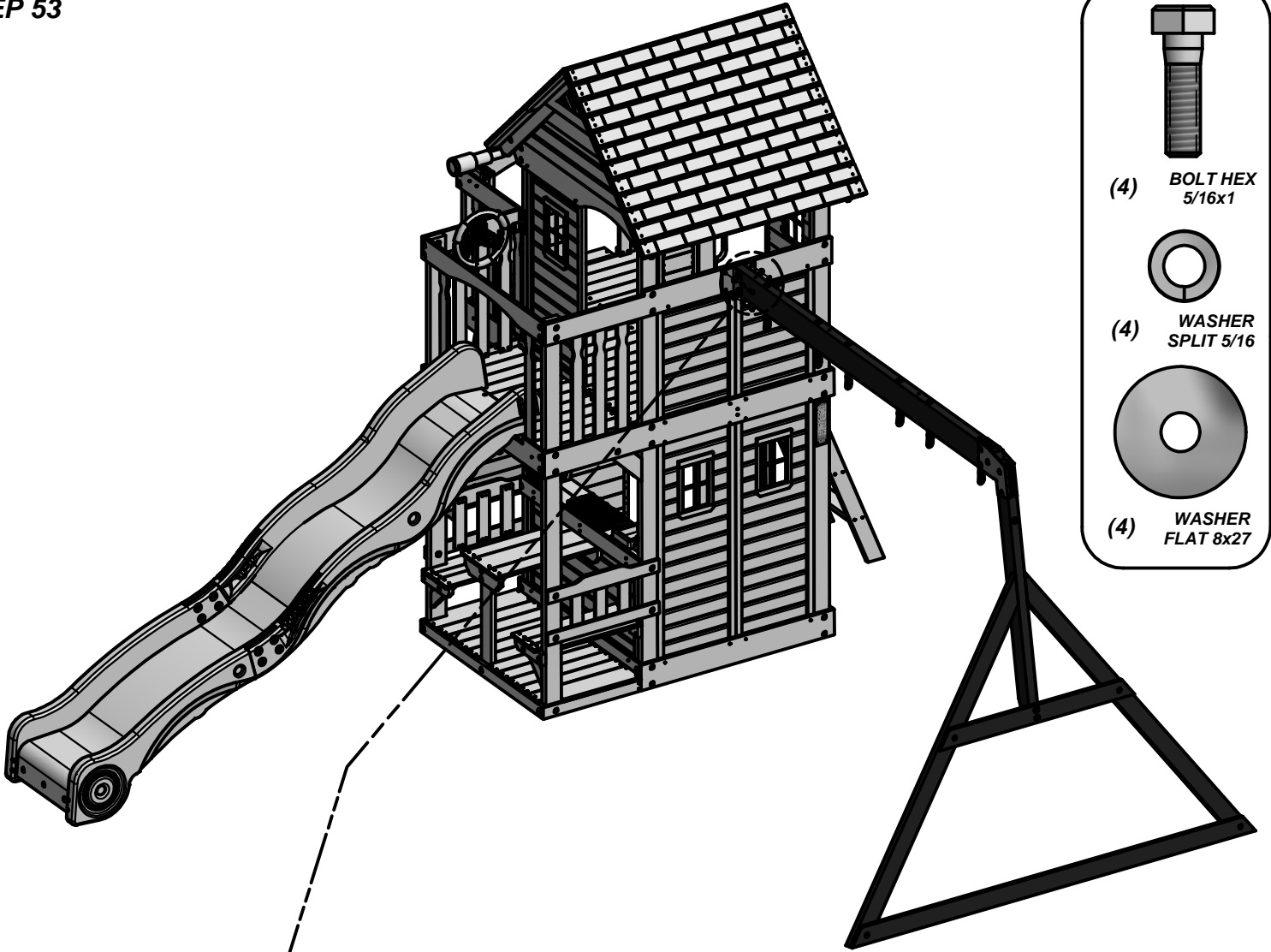
USE A 7/16" DRILL BIT.





(1) 4' SWING BEAM ASSEMBLY

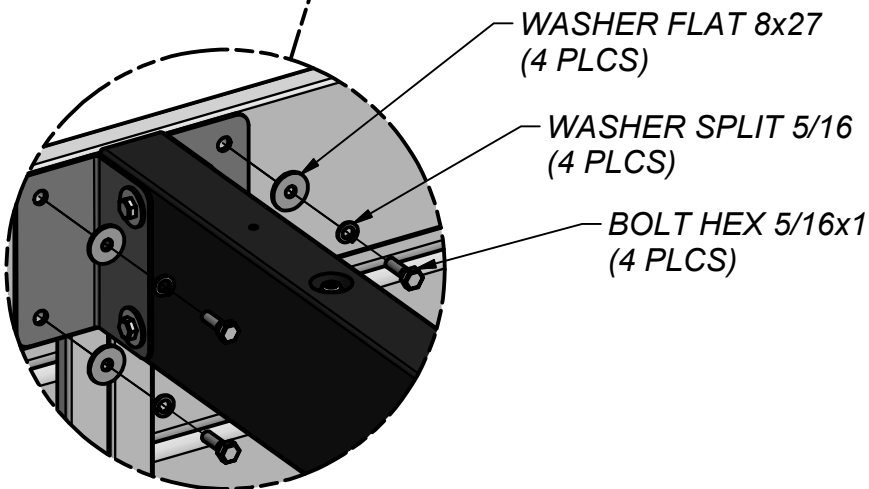
STEP 53

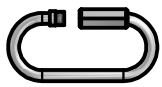


(4) BOLT HEX 5/16x1

(4) WASHER SPLIT 5/16

(4) WASHER FLAT 8x27





(6) FA - QUICK LINK - A100069



(2) DP - SWING SEAT GREEN - A100027



(1) - TRAPEZE - A6P00034

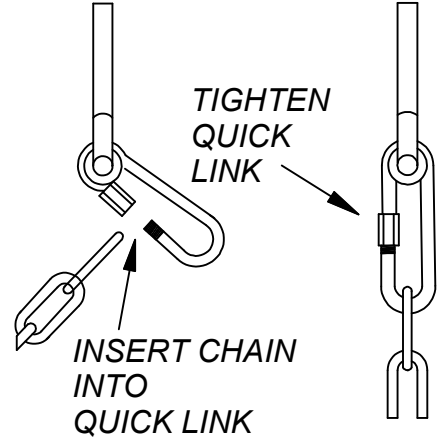
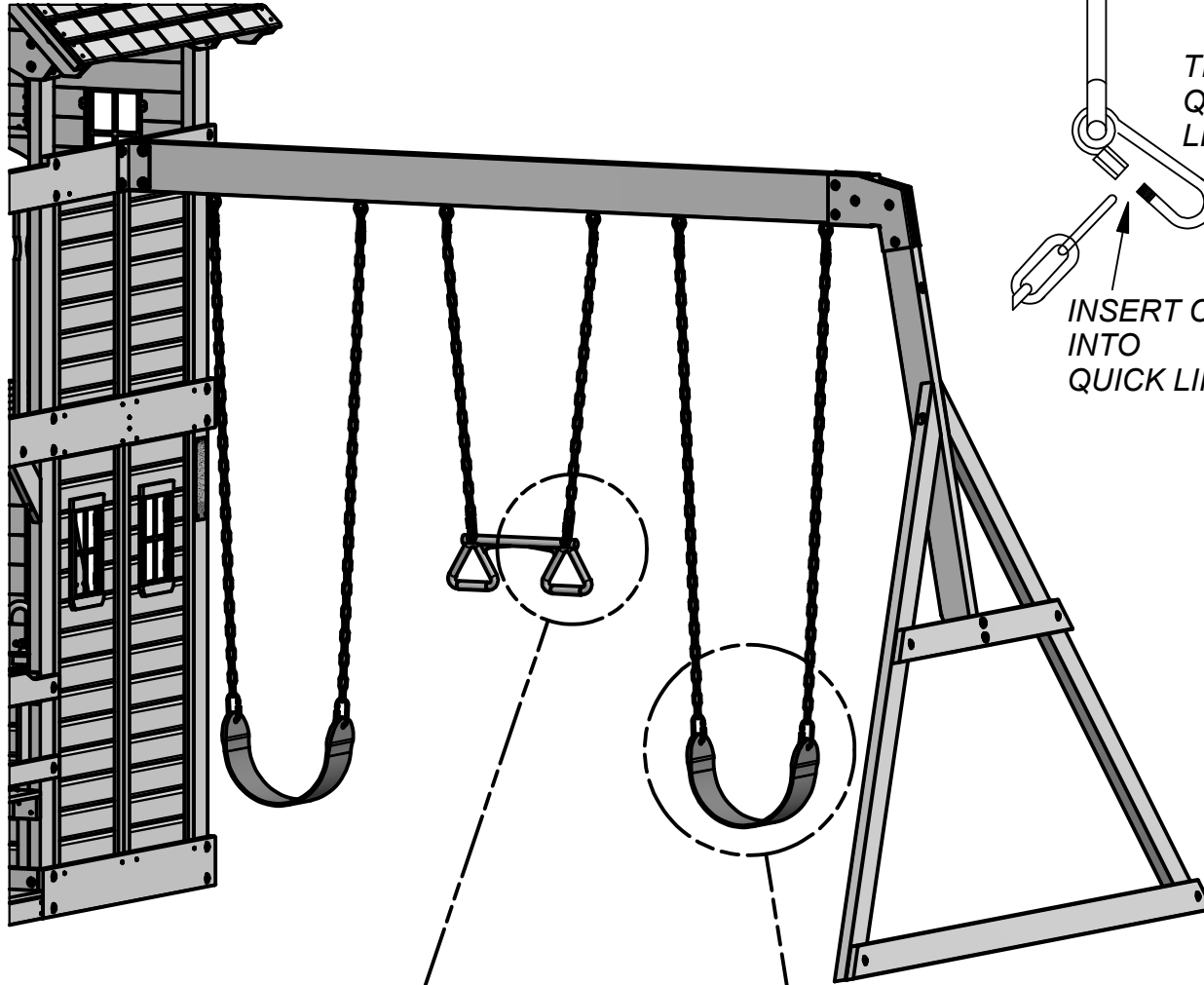


(2) KN - CHAIN GREEN 31" - A100177



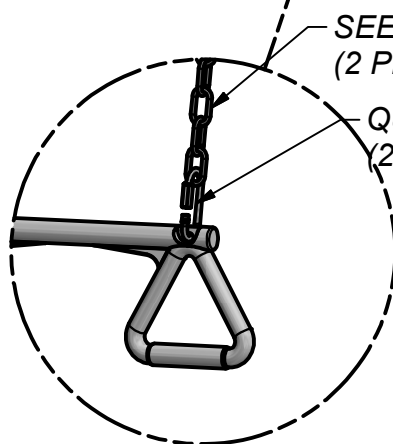
(4) EZ - CHAIN GREEN 51.25" - A100068

STEP 54



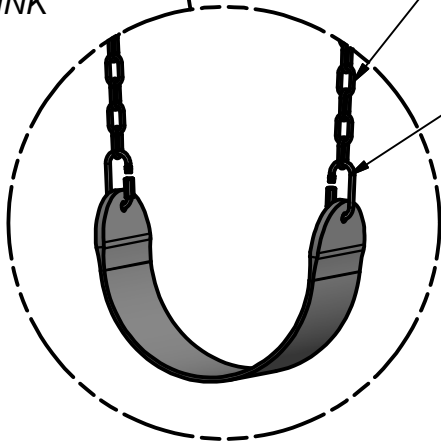
TIGHTEN QUICK LINK

INSERT CHAIN INTO QUICK LINK



SEE TABLE (2 PLCS)

QUICK LINK (2 PLCS)



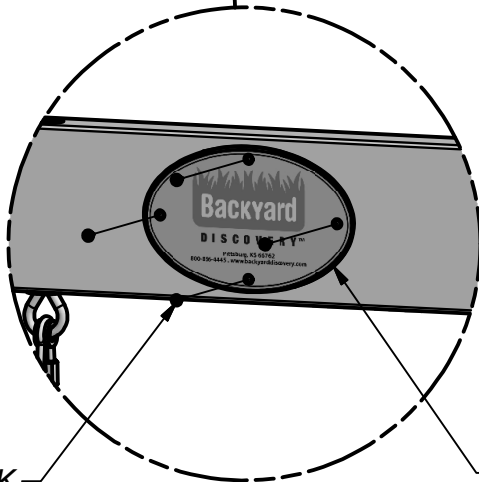
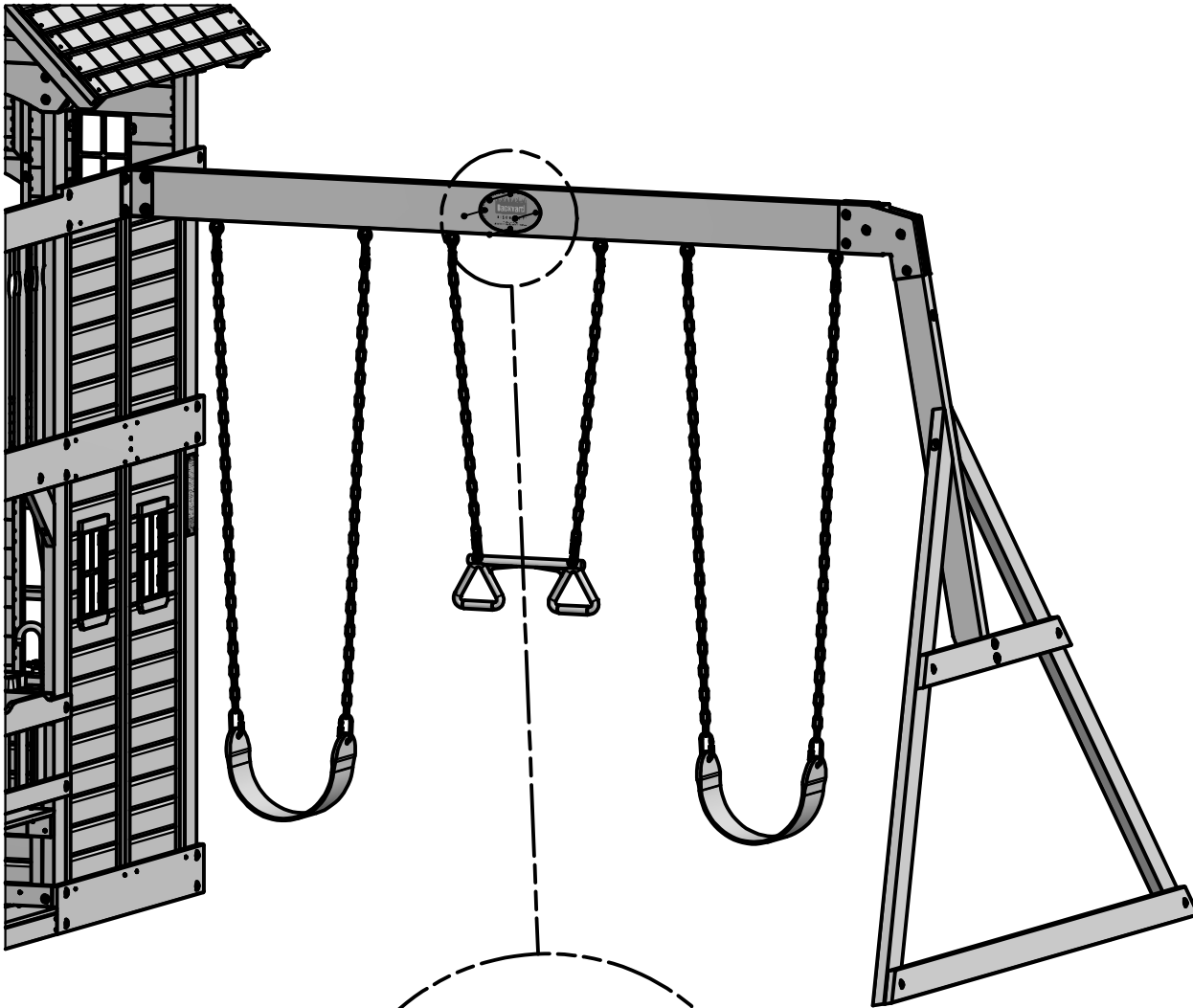
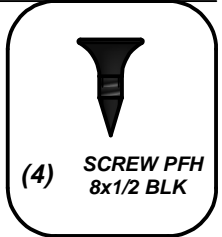
CHAIN GREEN 51.25" (4 PLCS)

QUICK LINK (4 PLCS)



(1) HC - BYD ID TAG (LARGE) WITHOUT AGES - A100242

STEP 55



SCREW PFH 8x1/2 BLK
(4 PLCS)

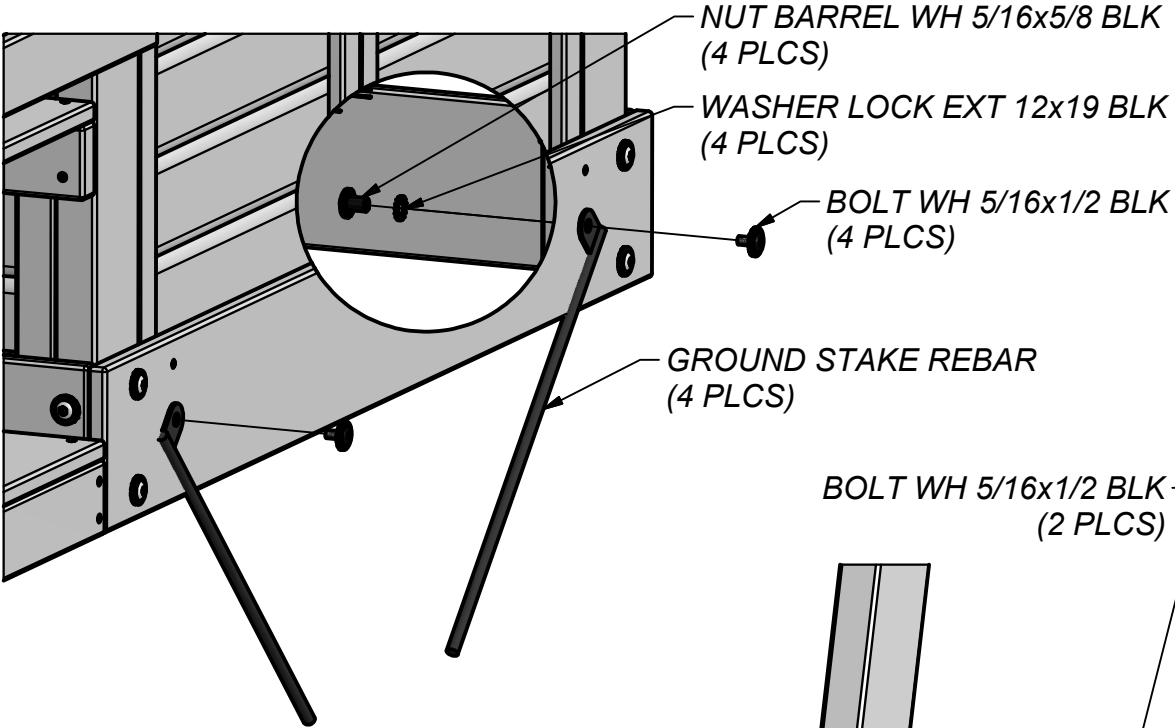
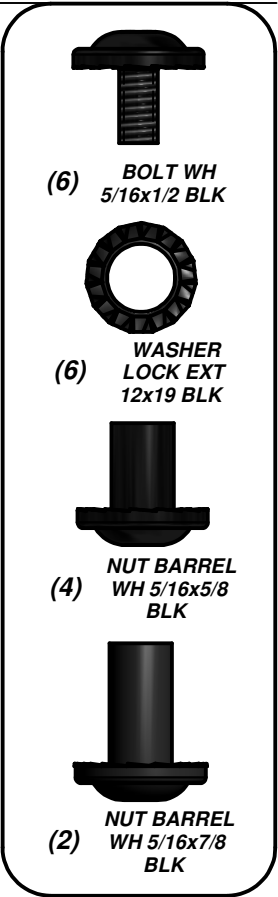
BYD ID TAG (LARGE) WITHOUT AGES

Anchoring Instructions

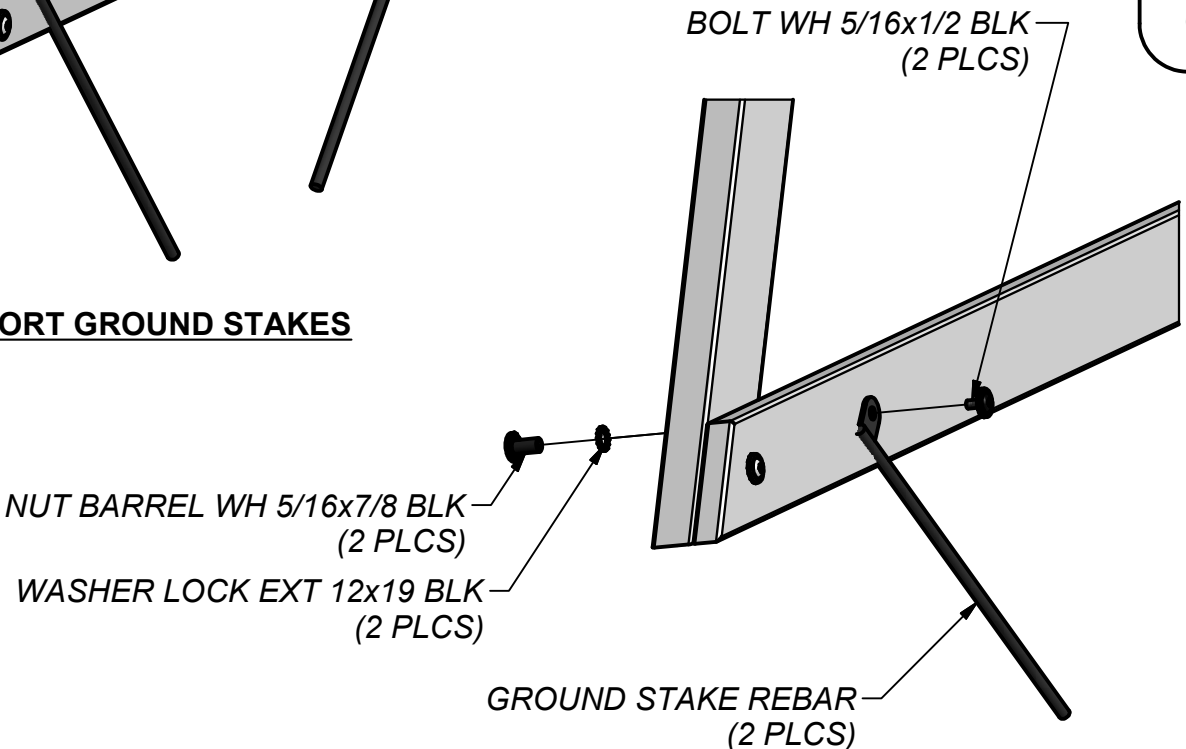
STEP 56

TAP IN GROUND STAKES AT AN APPROXIMATE 45° ANGLE AT THE LOCATIONS SHOWN. USING GROUND STAKES AS A GUIDE, DRILL 7/16" DIA HOLES.

NOTE:
FAILURE TO USE GROUND STAKES CAN VOID WARRANTY & CAUSE INJURY!



FORT GROUND STAKES



SWING BEAM GROUND STAKES

FINAL STEP

DOUBLE CHECK EVERY BOLT, SCREW AND NUT FOR TIGHTNESS. MAKE SURE EVERY BOARD IS SECURE AND MAKE SURE THE PLAY SET IS LEVEL.

ENJOY YOUR NEW PLAY SET!