



MANUFACTURED BY:  
Backyard Discovery  
3305 Airport Drive, Pittsburg, KS 66762  
800-856-4445

Basepoint Business Centre: Rivermead Drive, Westlea, Swindon SN5 7EX Phone: 0800-118-2476  
J.P. Coenstraat 7, The Bridge, The Hague, 2595 WP, Netherlands Phone: 0800-567-8990

# MAGNOLIA FALLS WITH TUBE SLIDE

## Swing Set

### Model # 2300361B

The assembly manual must be retained since it contains important information



**WARNING**  
*Adult Assembly Required.*  
Not suitable for children under 36 months due to small parts.  
**FOR DOMESTIC USE ONLY. INTENDED FOR OUTDOOR USE.**

CAN ICES-003 (B)/NMB-003 (B)



Please visit [www.backyarddiscovery.com](http://www.backyarddiscovery.com)

For the most up to date assembly manual, to register your set, or to order replacement parts  
*Para obtener instrucciones en español, visite [www.backyarddiscovery.com](http://www.backyarddiscovery.com)*



**EASY STEP-BY-STEP**  
**3D INTERACTIVE INSTRUCTIONS**  
DOWNLOAD THE FREE APP



Made in China

INS-2300361B-A-MAGNOLIA FALLS-ENG 04/30/24

# Owner's Manual - Basic Setup Dimensions & Assembly Notes

Place the set on level ground, not less than 6'-7" [2 m] from any structure or obstruction such as a fence, garage, house, overhanging branches, laundry lines, or electrical wires.

- While assembling unit, take time before and after each phase to make sure fort is level. If fort is not level, assembly will be difficult and improper assembly may result. Extra care must be taken to insure the fort is square.
- The safe play area refers to a zone extending 6'-7" (2 m) beyond the play product on all sides, including the space above the play product.

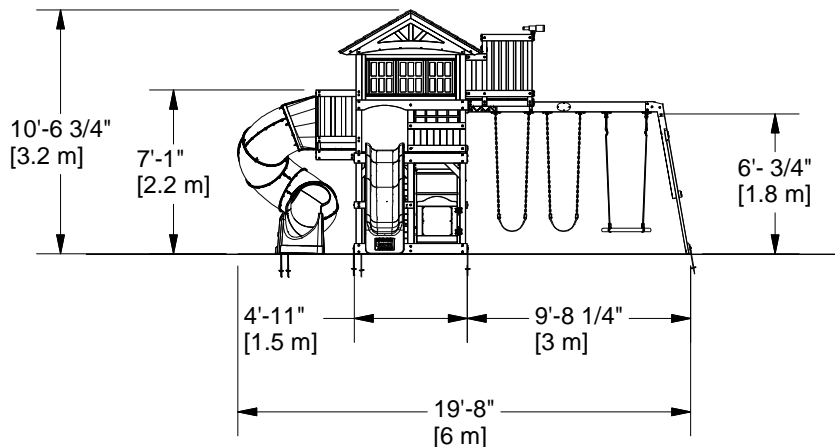
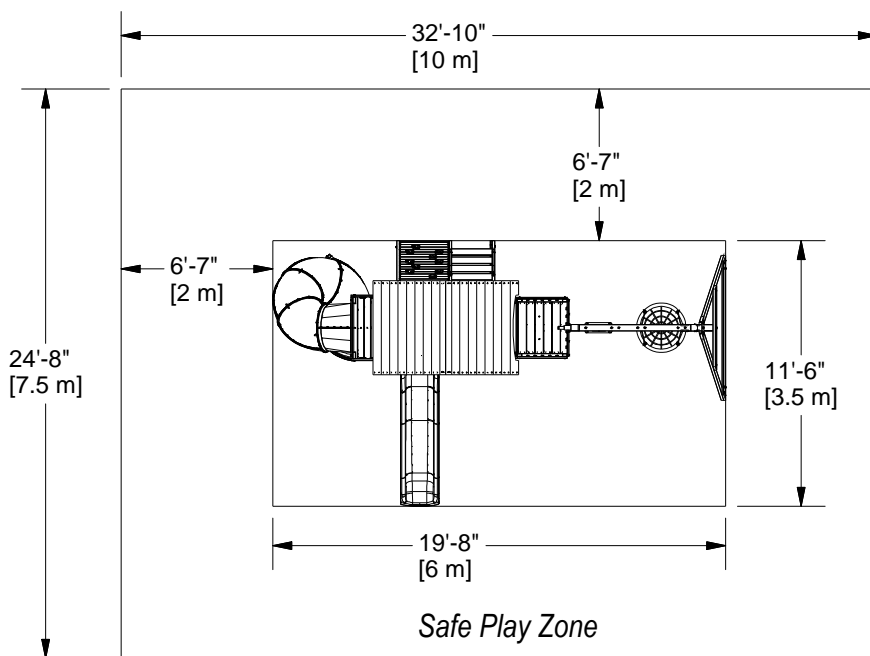
## SAFE PLAY AREA DIAGRAM

### Ground Dimensions

19'-8" [6.0 m] x 11'-6" [3.5 m] x 10'-6 3/4" [3.2 m]

### Safe Play Area

32'-10" [10.0 m] x 24'-8" [7.5 m] x 17'-1 3/4" [5.2 m]



**SAFE PLAY HEIGHT: 17'-1 3/4" [5.2 m]**  
**MAXIMUM FALL HEIGHT: 6'-3/4" [1.8 m]**

### General Information:

Your set has been designed and engineered for children only and for residential use only.  
A maximum of 150 lbs. per child is recommended for play activities designed for individual use.  
A maximum of 120 lbs. per child is recommended for play activities designed for multiple child use.  
A maximum of 9 children is recommended for this swing set.

# Owner's Manual - Parts Identification

## Wood Components (Not to Scale)



**A1 SWING BEAM EXTENDED - W4L18662**  
(x1) 3 3/8"x5 1/4"x89 1/2" (86x134x2274)



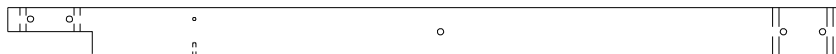
**A2 SB 9" BLOCK - W4L18663**  
(x1) 3 3/8"x5 1/4"x9" (86x134x228)



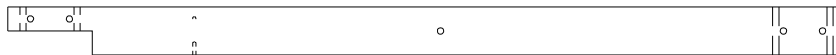
**AD02 WALL RAIL - W4L18979**  
(x2) 1"x3 7/8"x65 3/4" (24x100x1670)



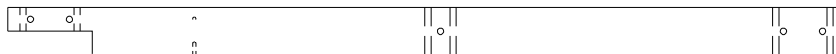
**B01 POST ASSEMBLY - W2A03793**  
(x1) 3"x3"x63 7/16" (76x76x1330)



**B02 POST - W4L18933**  
(x1) 3"x3"x52 3/8" (76x76x1330)



**B03 POST - W4L18934**  
(x1) 3"x3"x52 3/8" (76x76x1330)



**B04 POST - W4L18935**  
(x1) 3"x3"x52 3/8" (76x76x1330)



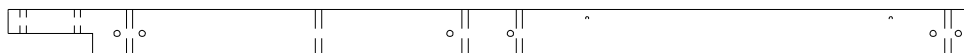
**B05 POST - W4L18960**  
(x1) 3"x3"x60 3/8" (76x76x1532)



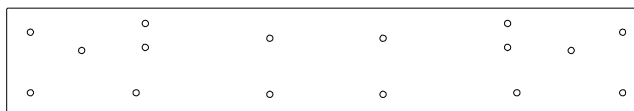
**B06 POST - W4L18961**  
(x1) 3"x3"x60 3/8" (76x76x1532)



**B07 POST - W4L18962**  
(x1) 3"x3"x60 3/8" (76x76x1532)



**B08 POST - W4L18963**  
(x1) 3"x3"x60 3/8" (76x76x1532)



**C01 TOP SWING BEAM RAIL - W4L18968**  
(x1) 1 3/8"x6 3/4"x40" (36x172x1017)

# Owner's Manual - Parts Identification

## Wood Components (Not to Scale)



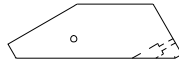
**E01 ANGLE BRACE - W4L18956**  
(x8) 1 7/16"x3 3/8"x17 1/2" (36x86x444)



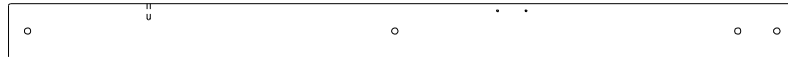
**E02 WALL BOARD - W4L18980**  
(x2) 1 3/8"x3 3/8"x54 3/8" (36x86x1382)



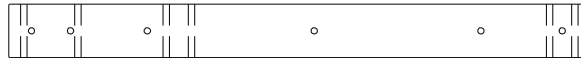
**E03 CROWS NEST FLOOR RAIL - W4L18664**  
(x2) 1 3/8"x3 3/8"x33 1/4" (36x86x846)



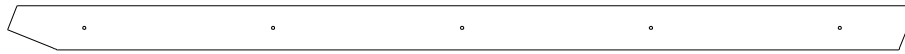
**E04 CROWS NEST DECK BRACE - W4L18665**  
(x2) 1 7/16"x3 3/8"x10 7/8" (36x86x276)



**E05 WALL UPRIGHT - W4L18941**  
(x1) 1 3/8"x3 3/8"x49 1/2" (36x86x1256)



**E06 UPRIGHT - W4L18995**  
(x2) 1 3/8"x3 3/8"x36 1/4" (36x85x922)



**E09 UPRIGHT - W4L18656**  
(x2) 1 3/8"x2 3/4"x56 7/8" (36x70x1444)



**E10 RIGHT UPRIGHT - W4L18650**  
(x1) 1 3/8"x3 3/8"x57 3/8" (36x86x1456)



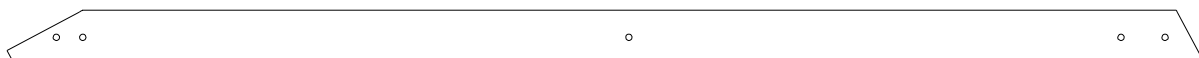
**E11 MIDDLE UPRIGHT - W4L18646**  
(x1) 1 3/8"x3 3/8"x57 3/8" (36x86x1456)



**E12 LEFT UPRIGHT - W4L18645**  
(x1) 1 3/8"x3 3/8"x57 3/8" (36x86x1456)



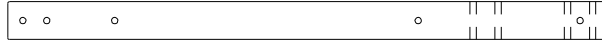
**E79 END SUPPORT - W4L18660**  
(x1) 1 1/2"x3 1/2"x44" (36x86x1120)



**E80 ANGLE BRACE - W4L18659**  
(x2) 1 3/8"x3 3/8"x74 7/8" (36x86x1903)

# Owner's Manual - Parts Identification

## Wood Components (Not to Scale)



**F01 CROWS NEST WALL SUPPORT - W4L18983**  
(x2) 1 3/8"x2 3/8"x37 1/2" (36x60x952)



**F02 CROWS NEST WALL SUPPORT - W4L18984**  
(x2) 1 3/8"x2 3/8"x37 1/2" (36x60x952)



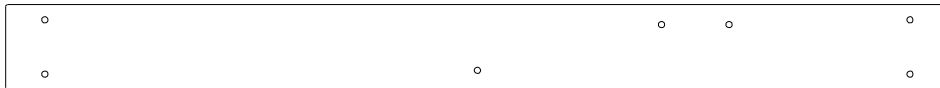
**G01 GROUND BOARD - W4L18936**  
(x1) 1"x5 1/4"x59" (24x134x1498)



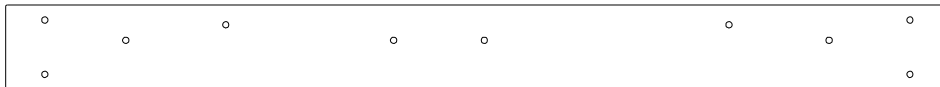
**G02 GROUND BOARD - W4L18937**  
(x2) 1"x5 1/4"x40" (24x134x1017)



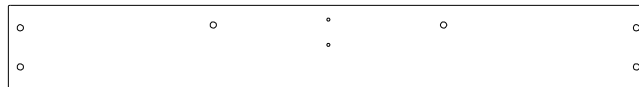
**G03 GROUND BOARD - W4L18996**  
(x1) 1"x5 1/4"x59" (24x134x1498)



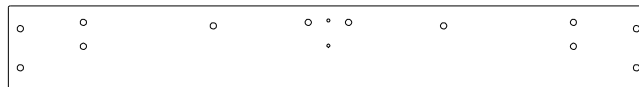
**G04 FLOOR RAIL - W4L18950**  
(x1) 1"x5 1/4"x59" (24x134x1498)



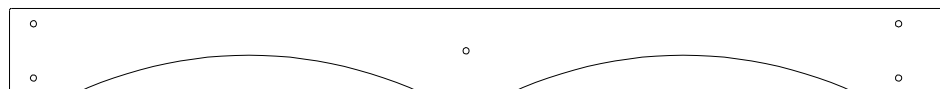
**G05 FLOOR RAIL - W4L18951**  
(x1) 1"x5 1/4"x59" (24x134x1498)



**G06 FLOOR RAIL - W4L18952**  
(x1) 1"x5 1/4"x40" (24x134x1017)



**G07 FLOOR RAIL - W4L18953**  
(x1) 1"x5 1/4"x40" (24x134x1017)



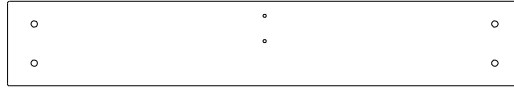
**G08 BACK ARCHED RAIL - W4L18966**  
(x1) 1"x5 1/4"x58 1/2" (24x134x1486)

# Owner's Manual - Parts Identification

## Wood Components (Not to Scale)



**G10 FLOOR RAIL - W4L18938**  
(x2) 1"x5 1/4"x23 7/8" (24x134x605)



**G11 FLOOR RAIL - W4L18972**  
(x1) 1"x5 1/4"x32 1/8" (24x134x817)



**G12 FRONT ARCHED RAIL - W4L18965**  
(x1) 1"x5 1/4"x58 1/2" (24x134x1486)



**G13 GROUND BOARD - W4L18926**  
(x1) 1"x5 1/4"x24 3/8" (24x134x618)



**G50 GROUND BOARD - W4L18658**  
(x1) 1"x5 1/4"x75 1/4" (24x134x1912)



**H01 COUNTERTOP RAIL - W4L18939**  
(x1) 1"x3 3/8"x31 1/8" (24x86x792)



**H02 WALL RAIL - W4L18940**  
(x1) 1"x3 3/8"x40" (24x86x1017)



**H03 SLIDE RAIL - W4L18932**  
(x1) 1"x3 3/8"x32 1/8" (24x86x817)



**H04 WALL RAIL - W4L18942**  
(x1) 1"x3 3/8"x40" (24x86x1017)



**H05 FLOOR JOIST - W4L18954**  
(x1) 1"x3 3/8"x57 1/8" (24x86x1450)



**H06 FLOOR BLOCK - W4L18955**  
(x4) 1"x3"x3 3/8" (24x76x86)

# Owner's Manual - Parts Identification

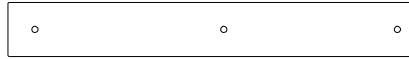
## Wood Components (Not to Scale)



**H07 WALL RAIL - W4L18959**  
(x2) 1"x3 3/8"x40" (24x86x1017)



**H08 WALL RAIL - W4L18964**  
(x4) 1"x3 3/8"x23 7/8" (24x86x605)



**H09 WALL BOARD - W4L18969**  
(x1) 1"x3 3/8"x25 5/8" (24x86x650)



**H10 WINDOW TRIM - W4L18970**  
(x4) 1"x3 3/8"x47 1/8" (24x86x1198)



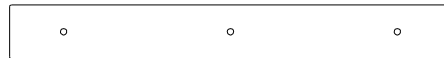
**H13 WALL BOARD - W4L18975**  
(x1) 1"x3 3/8"x25 5/8" (24x86x650)



**H14 WALL BOARD - W4L18981**  
(x2) 1"x3 3/8"x54 3/8" (24x86x1382)



**H15 WALL BOARD - W4L18930**  
(x2) 1"x3 3/8"x30 1/4" (24x86x768)



**H16 FILLER BOARD - W4L18931**  
(x2) 1"x3 3/8"x27 5/8" (24x85x702)



**H18 CROWS NEST FLOOR RAIL - W4L18666**  
(x1) 1"x3 3/8"x27" (24x86x686)



**H19 CROWS NEST FLOOR SUPPORT - W4L18667**  
(x1) 1"x3 3/8"x24 1/8" (24x86x614)



**H20 FLOOR JOIST - W4L18985**  
(x1) 1"x3 3/8"x21 7/8" (24x86x557)



**H21 CROWS NEST WALL RAIL - W4L18986**  
(x2) 1"x3 3/8"x29 7/8" (24x86x758)

# Owner's Manual - Parts Identification

## Wood Components (Not to Scale)



**H22 CROWS NEST WALL RAIL - W4L18987**  
(x2) 1"x3 3/8"x34 3/4" (24x86x882)



**H23 CROWS NEST WALL RAIL - W4L18989**  
(x2) 1"x3 3/8"x26" (24x86x660)



**H24 CROWS NEST WALL RAIL - W4L18990**  
(x2) 1"x3 3/8"x11 1/8" (24x86x282)



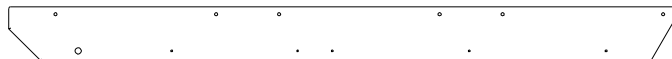
**H25 ATTACHMENT BOARD - W4L18649**  
(x1) 1"x3 3/8"x51 1/8" (24x86x1297)



**H26 LADDER RUNG - W4L18647**  
(x4) 1"x3 3/8"x21 3/4" (24x86x554)



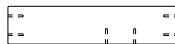
**H27 LEFT ROOF RAFTER - W4L18993**  
(x2) 1"x3 3/8"x42 1/8" (24x86x1069)



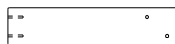
**H28 RIGHT ROOF RAFTER - W4L18994**  
(x2) 1"x3 3/8"x42 1/8" (24x86x1069)



**J01 COUNTERTOP RAIL - W4L18943**  
(x1) 1"x2 3/8"x26 7/8" (24x60x682)



**J02 COUNTERTOP RAIL - W4L18944**  
(x1) 1"x2 3/8"x10 3/4" (24x60x272)



**J03 COUNTERTOP RAIL - W4L18945**  
(x1) 1"x2 3/8"x10 3/4" (24x60x272)



# Owner's Manual - Parts Identification

## Wood Components (Not to Scale)



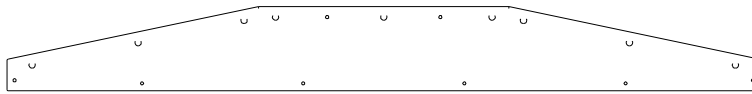
**J04 BAY WINDOW SIDE - W4L18922**  
(x4) 1"x1 7/8"x18 1/4" (24x48x464)



**J05 WINDOW TRIM - W4L18971**  
(x4) 1"x2"x26 1/4" (24x50x668)



**K01 COUNTERTOP BOARD - W4L18949**  
(x1) 5/8"x5 1/4"x26 7/8" (16x134x682)



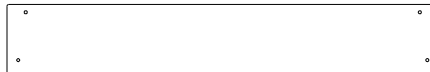
**K02 BAY WINDOW HEADER - W4L18921**  
(x4) 5/8"x5 1/4"x47 1/8" (16x134x1197)



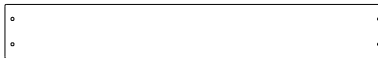
**K03 CROWS NEST FLOOR BOARD - W4L18670**  
(x1) 5/8"x5 1/4"x27" (16x134x686)



**L03 CROWS NEST FLOOR BOARD - W4L18668**  
(x6) 5/8"x4 3/8"x27" (16x112x686)



**L04 CROWS NEST FLOOR BOARD - W4L18669**  
(x1) 5/8"x4 3/8"x27" (16x112x686)



**M01 PICKET - W4L18946**  
(x20) 5/8"x3 3/8"x23 7/8" (16x86x606)



**M02 COUNTERTOP BOARD - W4L18947**  
(x1) 5/8"x3 3/8"x26 7/8" (16x86x682)



**M03 COUNTERTOP BOARD - W4L18948**  
(x1) 5/8"x3"x23 7/8" (16x76x605)

# Owner's Manual - Parts Identification

## Wood Components (Not to Scale)



**M04 FLOOR BOARD - W4L18958**  
(x15) 5/8"x3 3/8"x41 7/8" (16x86x1065)



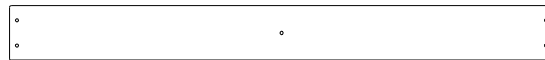
**M05 WALL BOARD - W4L18982**  
(x6) 5/8"x3 3/8"x27" (16x86x686)



**M06 CROWS NEST WALL RAIL - W4L18988**  
(x2) 5/8"x3 3/8"x29 7/8" (16x86x758)



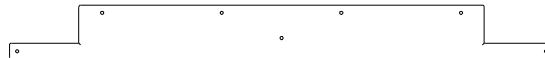
**M07 WALL RAIL - W4L18973**  
(x1) 5/8"x3 3/8"x40" (16x86x1017)



**M08 FLOOR BOARD - W4L18976**  
(x5) 5/8"x3 3/8"x34" (16x86x865)



**M09 FLOOR BOARD - W4L18978**  
(x1) 5/8"x3 3/8"x34" (16x86x864)



**M10 FLOOR BOARD - W4L18974**  
(x1) 5/8"x3 3/8"x34" (16x86x864)



**M12 REAR SUPPORT - W4L18648**  
(x1) 5/8"x3 3/8"x23 7/8" (16x86x606)



**M13 ROCK BOARD - W4L18652**  
(x9) 5/8"x3 3/8"x25 3/4" (16x86x655)



**M14 WALL BOARD - W4L18929**  
(x7) 5/8"x3 3/8"x11 3/4" (16x86x300)



**M15 ROCK BOARD - W4L18653**  
(x4) 5/8"x3 3/8"x25 3/4" (16x86x655)

# Owner's Manual - Parts Identification

## Wood Components (Not to Scale)



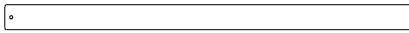
**M16 ROCK BOARD - W4L18654**  
(x3) 5/8"x3 3/8"x25 3/4" (16x86x655)



**M17 TOP BOARD - W4L18657**  
(x1) 5/8"x3 3/8"x28 5/8" (16x86x728)



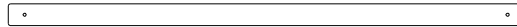
**N02 CROWS NEST WALL BOARD - W4L18992**  
(x2) 5/8"x2 3/8"x22 3/8" (16x60x568)



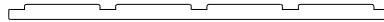
**N04 ROCK WALL BOARD - W4L18651**  
(x1) 5/8"x1 5/8"x25 3/4" (16x40x655)



**N05 ROCKWALL CLEAT - W4L18655**  
(x1) 5/8"x2 3/8"x53 7/8" (16x60x1370)



**O01 CROWS NEST WALL BOARD - W4L18991**  
(x16) 5/8"x1 3/8"x32 1/4" (16x34x819)



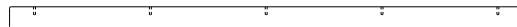
**S01 WINDOW FRAME - W4L18928**  
(x1) 1"x1"x23 7/8" (24x24x605)



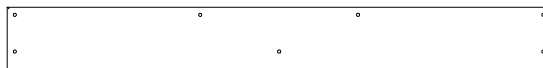
**S02 WINDOW FRAME - W4L18927**  
(x5) 1"x1"x9 3/8" (24x24x237)



**SP71 SWING BEAM SUPPORT - W4L18661**  
(x1) 3 3/8"x3 3/8"x49 1/2" (86x86x1256)



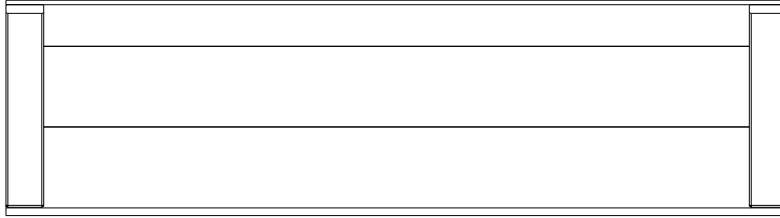
**T01 FLOOR SUPPORT - W4L18977**  
(x1) 1 3/8"x1"x32 1/8" (34x24x815)



**Y01 FLOOR BOARD - W4L18957**  
(x1) 5/8"x3 7/8"x34" (16x100x864)

# Owner's Manual - Parts Identification

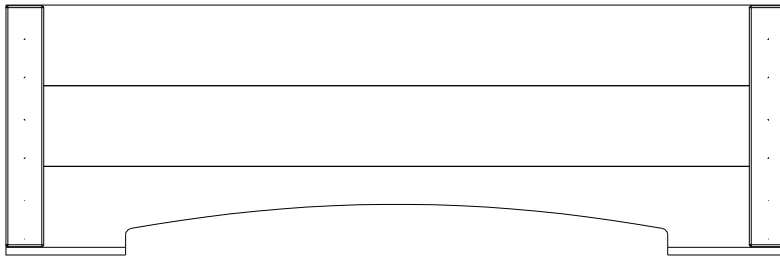
## Wood Components (Not to Scale)



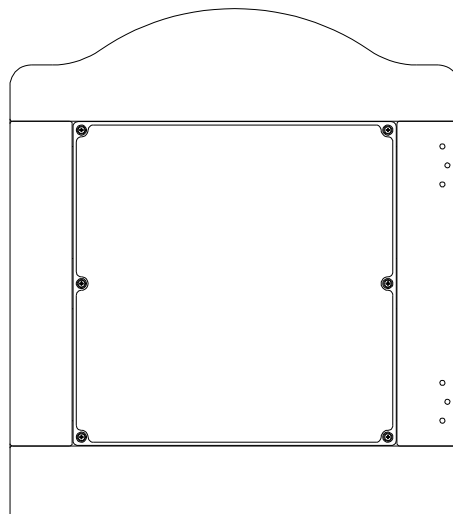
**RP1 PEAK ROOF PANEL - W2A03795**  
(x2) 1 5/8"x13 3/8"x48 7/8" (42x341x1241)



**RP2 ROOF PANEL - W2A03794**  
(x3) 1 5/8"x15 5/8"x59 3/8" (42x396x1241)



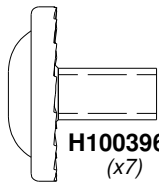
**RP3 ROOF PANEL - W2A03796**  
(x1) 1 5/8"x15 5/8"x59 3/8" (42x396x1241)



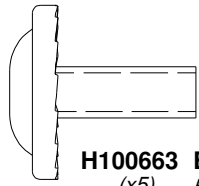
**DR1 DOOR ASSEMBLY - W2A03798**  
(x1) 1 1/4"x21 1/16"x23 7/8" (32x535x606)

# Owner's Manual - Parts Identification

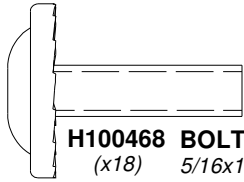
## Hardware Components



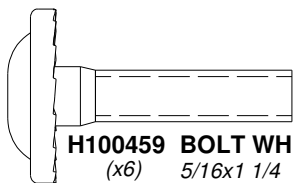
**H100396 BOLT WH BLK**  
(x7) 5/16x1/2



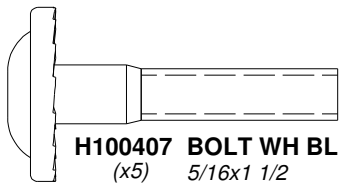
**H100663 BOLT WH BLK**  
(x5) 5/16x3/4



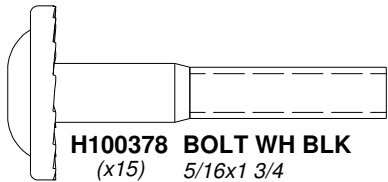
**H100468 BOLT WH BLK**  
(x18) 5/16x1



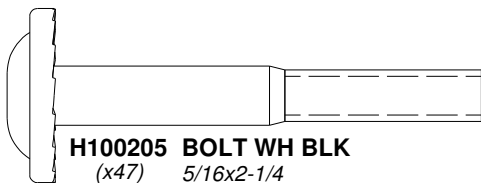
**H100459 BOLT WH BLK**  
(x6) 5/16x1 1/4



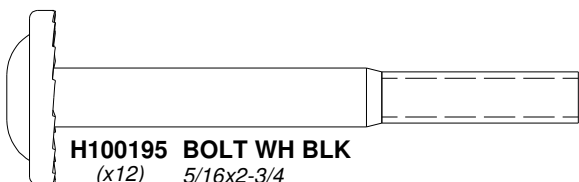
**H100407 BOLT WH BLK**  
(x5) 5/16x1 1/2



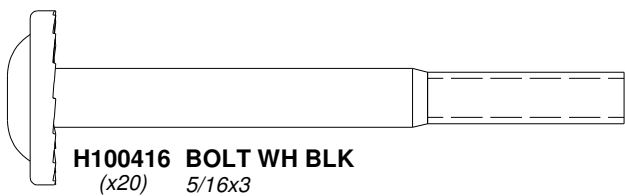
**H100378 BOLT WH BLK**  
(x15) 5/16x1 3/4



**H100205 BOLT WH BLK**  
(x47) 5/16x2-1/4



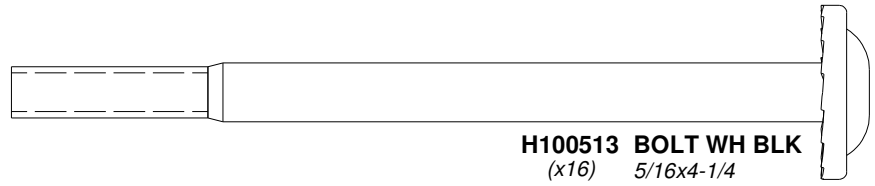
**H100195 BOLT WH BLK**  
(x12) 5/16x2-3/4



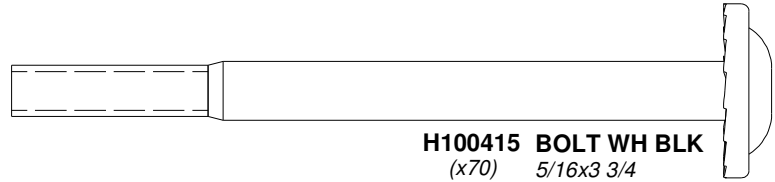
**H100416 BOLT WH BLK**  
(x20) 5/16x3



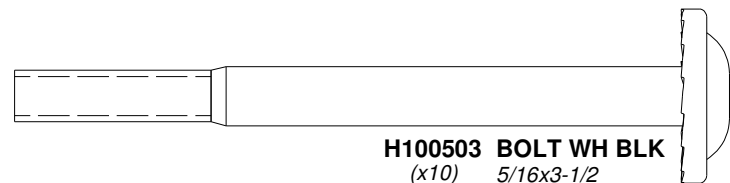
**H100480 BOLT WH BLK**  
(x2) 5/16x4 3/4



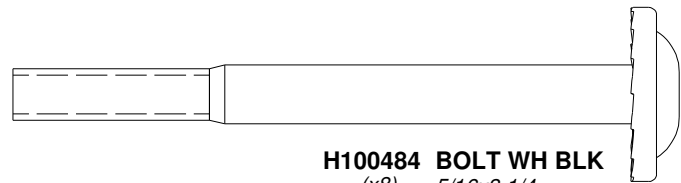
**H100513 BOLT WH BLK**  
(x16) 5/16x4-1/4



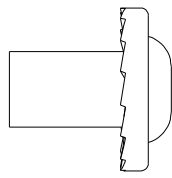
**H100415 BOLT WH BLK**  
(x70) 5/16x3 3/4



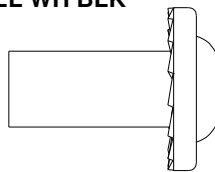
**H100503 BOLT WH BLK**  
(x10) 5/16x3-1/2



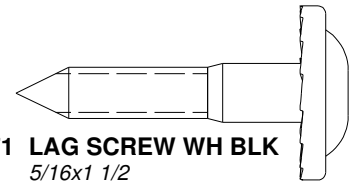
**H100484 BOLT WH BLK**  
(x8) 5/16x3 1/4



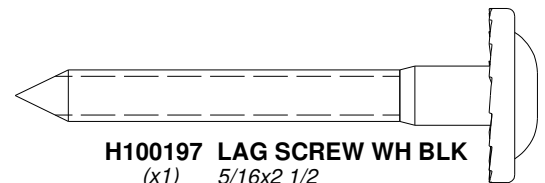
**H100469 NUT BARREL WH BLK**  
(x5) 5/16x5/8



**H100192 NUT BARREL WH BLK**  
(x26) 5/16x7/8



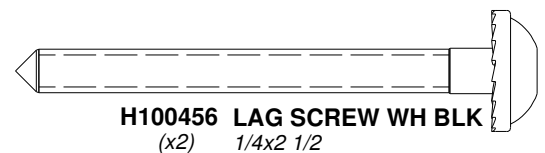
**H100471 LAG SCREW WH BLK**  
(x8) 5/16x1 1/2



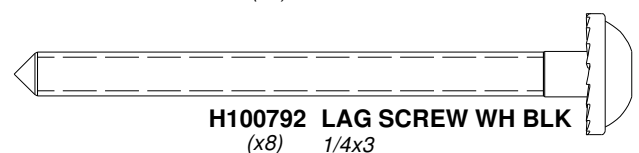
**H100197 LAG SCREW WH BLK**  
(x1) 5/16x2 1/2



**H101111 BOLT WH BLK**  
(x20) 1/4x3/4



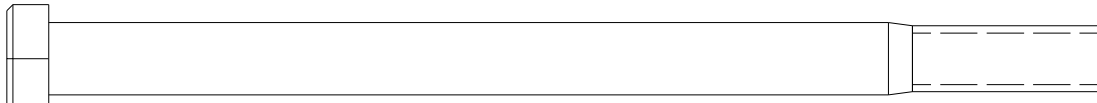
**H100456 LAG SCREW WH BLK**  
(x2) 1/4x2 1/2



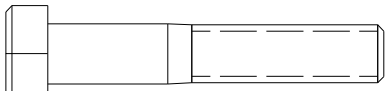
**H100792 LAG SCREW WH BLK**  
(x8) 1/4x3

# Owner's Manual - Parts Identification

## Hardware Components



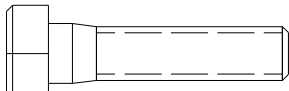
**H101169 BOLT HEX BLK**  
(x12) 3/8x5-1/2



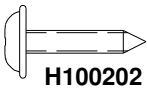
**H100657 BOLT HEX BLK**  
(x4) 5/16x1 3/4



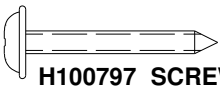
**H100498 BOLT HEX - BLK**  
(x4) 5/16x1 1/2



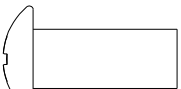
**H100481 BOLT HEX BLK**  
(x4) 5/16x1 1/4



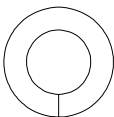
**H100202 SCREW PWH BLK**  
(x10) 8x5/8



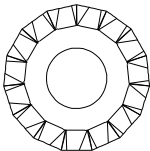
**H100797 SCREW PWH BLK**  
(x64) 8x1



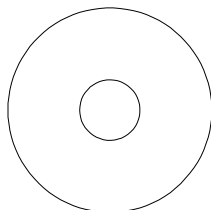
**H100831 NUT BARREL PTH BLK**  
(x4) 1/4x3/4



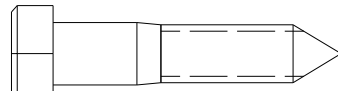
**H100477 WASHER SPLIT BLK**  
(x20) 5/16



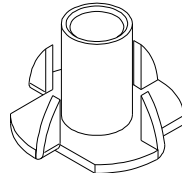
**H100198 WASHER LOCK EXT BLK**  
(x182) 8x19



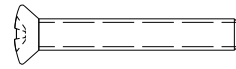
**H100478 WASHER FLAT BLK**  
(x20) 8x27



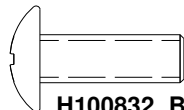
**H100659 LAG SCREW BLK**  
(x8) 5/16x1 1/2



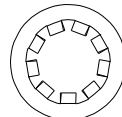
**H100379 T-NUT BLK**  
(x222) 5/16



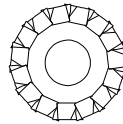
**H100806 SCREW POH BLK**  
(x6) 8/32x1 1/8



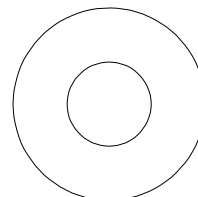
**H100832 BOLT PTH BLK (with LOCTITE)**  
(x4) 1/4x3/4



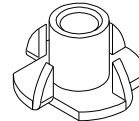
**H100473 WASHER LOCK INT BLK**  
(x20) 8x15



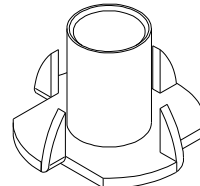
**H100405 WASHER LOCK EXT BLK**  
(x10) 6x15



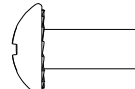
**H101167 WASHER FLAT BLK**  
(x12) 11x25



**H100398 T-NUT BLK**  
(x20) 1/4



**H101168 T-NUT BLK**  
(x12) 3/8



**H101272 NUT BARREL PTH BLK**  
(x6) 8x32



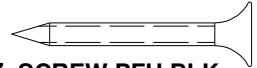
**H100395 SCREW PFH BLK**  
(x5) 8x3/4



**H100385 SCREW PFH BLK**  
(x8) 8x1



**H100380 SCREW PFH BLK**  
(x11) 8x1 1/8



**H100387 SCREW PFH BLK**  
(x172) 8x1 1/4



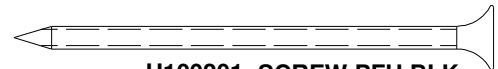
**H100200 SCREW PFH BLK**  
(x300) 8x1 1/2



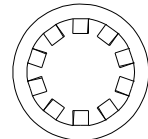
**H100382 SCREW PFH BLK**  
(x10) 8x1 3/4



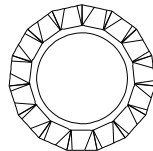
**H100391 SCREW PFH BLK**  
(x54) 8x2



**H100201 SCREW PFH BLK**  
(x26) 8x2-1/2



**H101166 WASHER LOCK INT BLK**  
(x12) 10x18



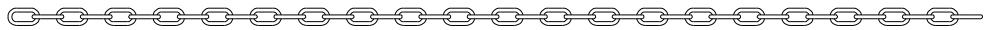
**H100199 WASHER LOCK EXT BLK**  
(x18) 12x19

# Owner's Manual - Parts Identification

## Accessory Components (Not to Scale)



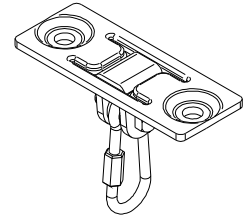
**A4M01126**  
(x1) **26" WEB SWING**



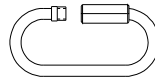
**A4M02256**  
(x4) **CHAIN BLACK 51.25"**



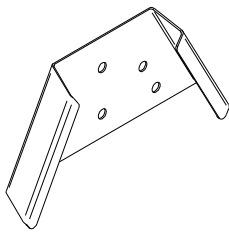
**A6P00595**  
(x2) **SWING SEAT GREY 22"**



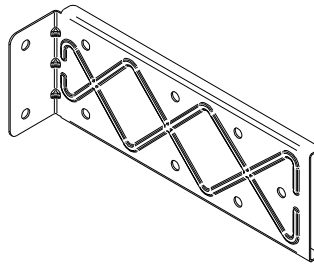
**A4M02171**  
(x6) **SWING HANGER**



**A4M00633**  
(x4) **QUICK LINK BLK**



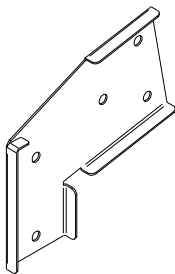
**A4M01782**  
(x1) **A-FRAME BRACKET**



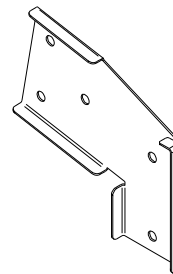
**A4M01679**  
(x2) **EXTENDED SWING BEAM BRACKET**



**A100164**  
(x1) **BYD ID TAG (LARGE) AGES 3-10**



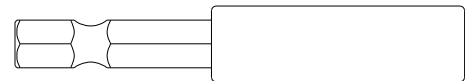
**A4M00617**  
(x1) **SWING BEAM EXTENSION BRACKET-LEFT**



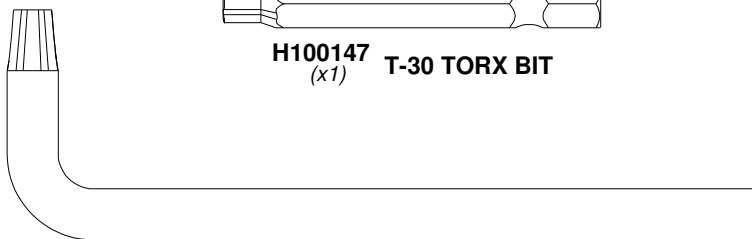
**A4M00618**  
(x1) **SWING BEAM EXTENSION BRACKET-RIGHT**



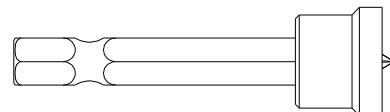
**H100147**  
(x1) **T-30 TORX BIT**



**H101100**  
(x1) **MAGNETIC DRIVER**



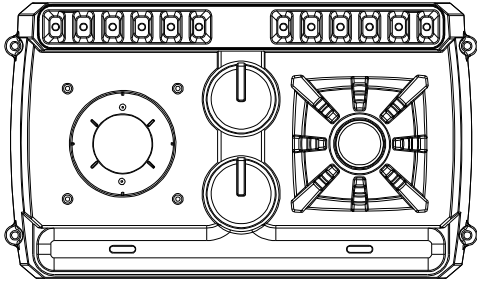
**H100114**  
(x1) **T-30 TORX WRENCH**



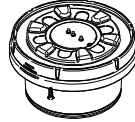
**H100764**  
(x1) **SCREW SETTER**

# Owner's Manual - Parts Identification

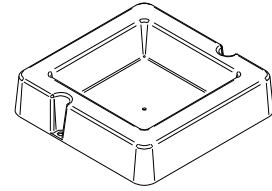
## Accessory Components (Not to Scale)



**A6P00335**  
(x1) **STOVE BASE**



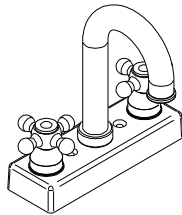
**A6P00330**  
(x1) **INDUCTIVE BURNER KIT**



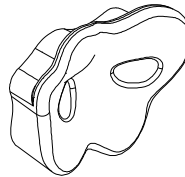
**A6P00032**  
(x1) **SURFACE MOUNT BASIN**



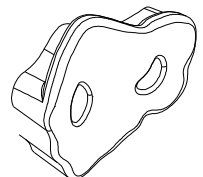
**A6P00410**  
(x1) **PICKET PAL**



**A6P00024**  
(x1) **FAUCET KIT**



**A6P00592**  
(x5) **GREY HC ROCK #1**



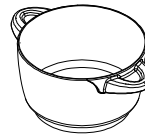
**A6P00593**  
(x5) **GREY HC ROCK #2**



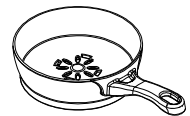
**A6P00340**  
(x1) **LADLE**



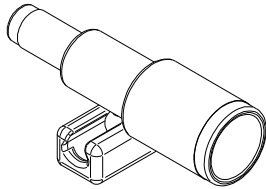
**A6P00339**  
(x1) **SPATULA**



**A6P00336**  
(x1) **BOIL POT**



**A6P00338**  
(x1) **FRY PAN**



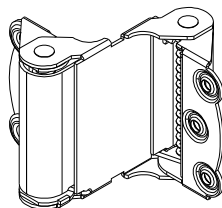
**A6P00596**  
(x1) **TELESCOPE GREY**



**A6P00331**  
(x1) **BLENDER**



**A6P00337**  
(x2) **POT/PAN LID**



**A4M01089**  
(x2) **SPRING HINGE**

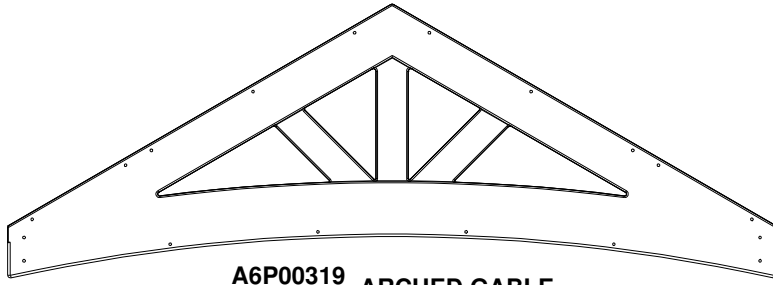


**A4M02635**  
(x1) **METAL ANGLE BRACE**

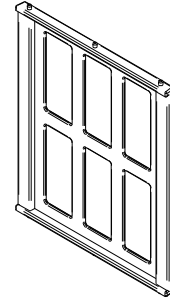


# Owner's Manual - Parts Identification

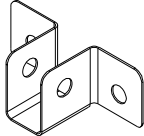
## Accessory Components (Not to Scale)



**A6P00319**  
(x2) **ARCHED GABLE**



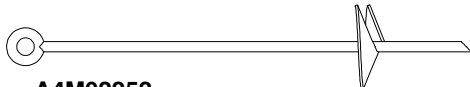
**A100373**  
(x6) **BAY WINDOW PANEL**



**A4M02606**  
(x1) **JOIST HANGER 90°**



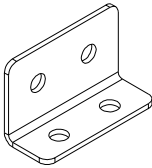
**A4M02250**  
(x2) **HAND GRIP GREY 816 C/C**



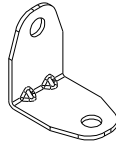
**A4M02252**  
(x7) **AUGER GROUND STAKE**



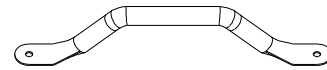
**A4M02251**  
(x2) **LADDER RUNG 578 GREY**



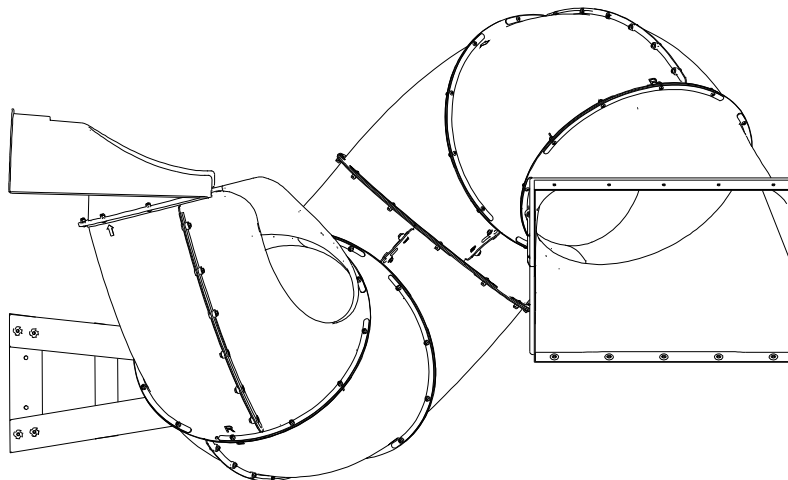
**A4M00855**  
(x7) **L BRACKET**  
32x51x82



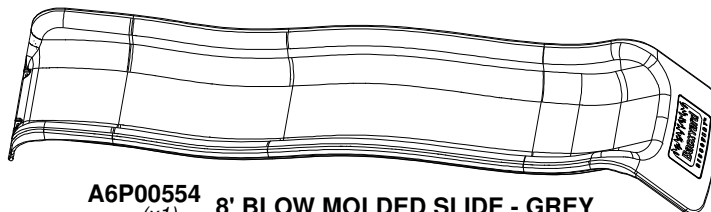
**A4M01047**  
(x6) **L BRACKET**  
2.5x38x55x55



**A4M02249**  
(x3) **HAND GRIP METAL GREY 381 C/C**



**9230309**  
(x1) **TUBE SLIDE**



**A6P00554**  
(x1) **8' BLOW MOLDED SLIDE - GREY**

# PRE-ASSEMBLY STEP 1 - SORTING PARTS

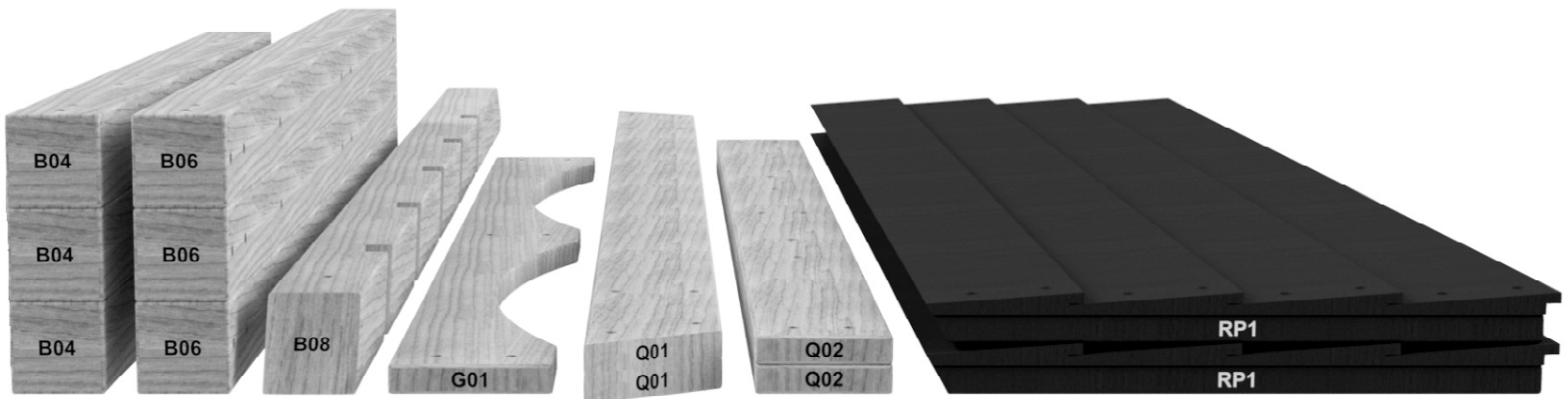
It is critical for ease of assembly that you take the time to sort and organize the wood and hardware.

---

## WOOD PARTS:

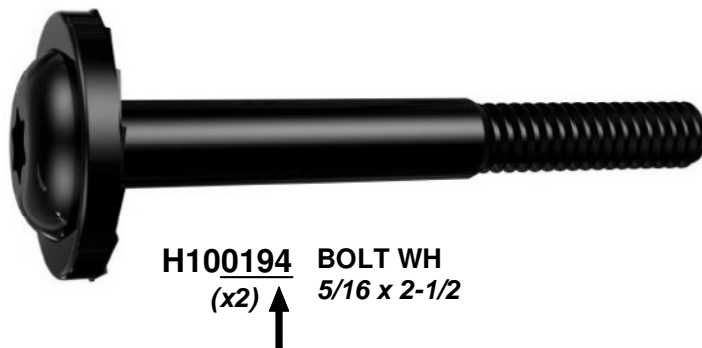
- Organize wood parts by the three-digit, alpha-numeric number stamped on each board (ex. P01).
- If there are multiple boards with the same stamped number, stack those pieces together.
- Stamps can be found on the flat surface of the boards or on the end of the boards.
- Allow yourself plenty of room - the wood pieces can take up a significant amount of space.

**NOTE: CARTONS ARE NOT ORGANIZED BY BOARD NUMBER.**



## HARDWARE PARTS:

- We recommend that you have a separate table to organize the hardware.
- Hardware bags are printed with a seven-digit, alpha-numeric part number.
- You can organize your hardware by part number or group by hardware type (i.e. bolts, nuts, etc.).
- During assembly you only need to reference the last four digits of the number.



# PRE-ASSEMBLY STEP 2 - TOOLS REQUIRED



**Cordless Drill or  
Electric Drill**



**Drill Attachments:  
Phillips Head**



**1/8", 3/16", 3/8" & 7/16"  
Drill Bits**



**Phillips Screw Driver**



**Open End Wrenches 1/2" & 9/16"**



**3/8" Drive Ratchet, 1/2" &  
9/16" STD Sockets 1/2" & 9/16" Deep  
Sockets**



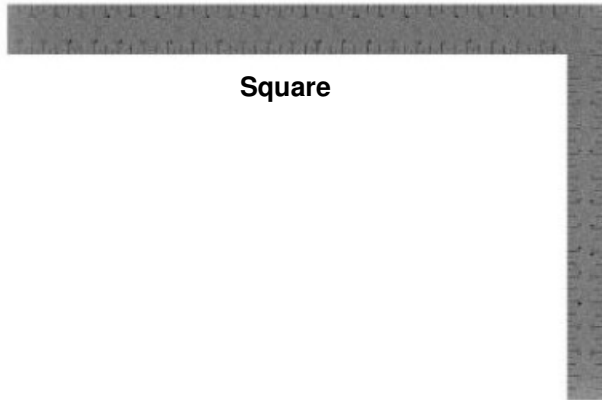
**Claw Hammer**



**Rubber Mallet - Optional**



**Tape Measure**



**Square**

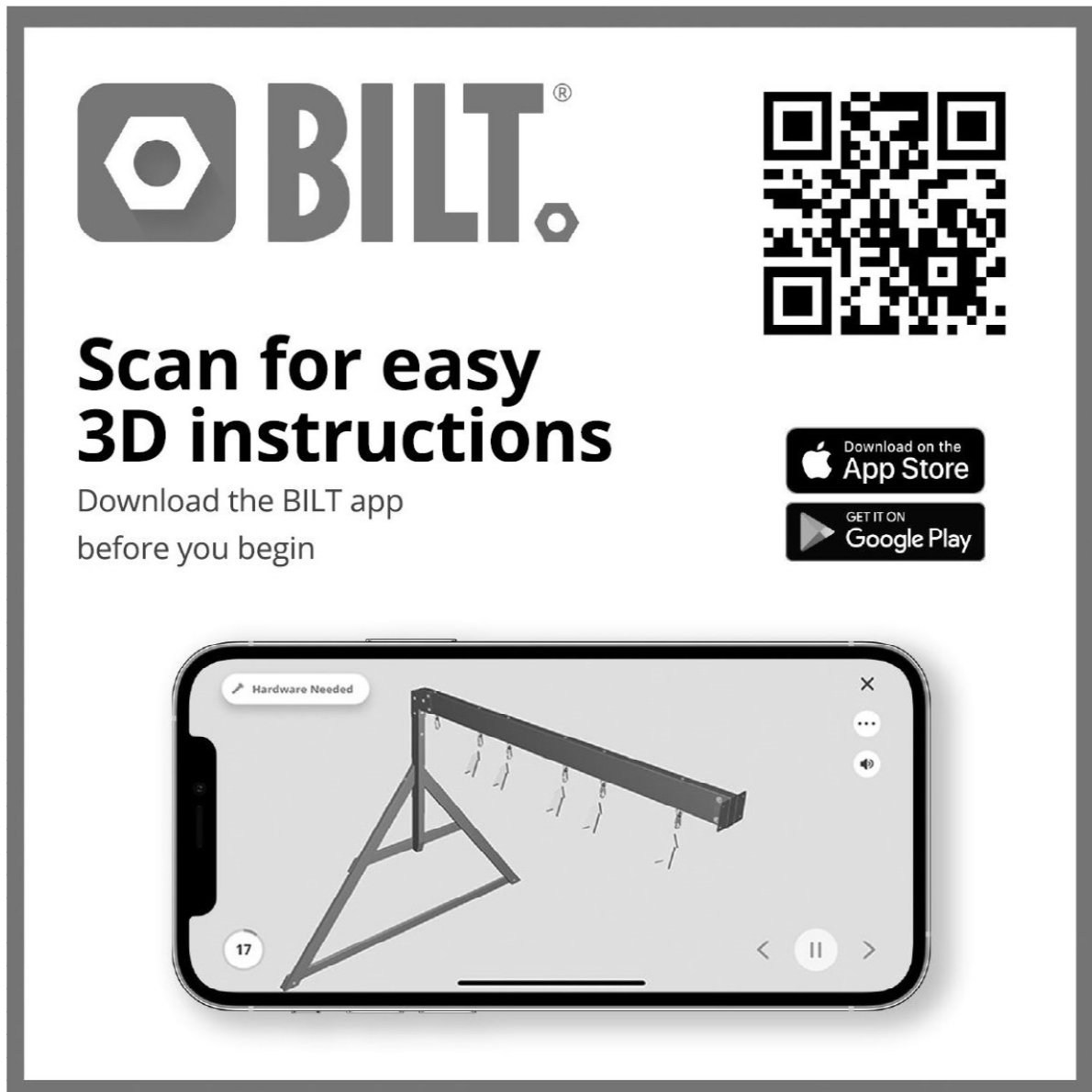


**Level 24"**

# PRE-ASSEMBLY STEP 3 - CHOOSE YOUR ASSEMBLY METHOD

There are several types of assembly instructions available to you.

1. Printed Assembly Manual included with your set
2. BILT APP - 3D interactive instructions
3. Combination of the Printed Manual and BILT APP (Note: Step numbers can differ between the two methods)



The advertisement features the BILT logo on the left, a QR code on the right, and a central text area. Below the text are two app store download buttons and a smartphone mockup showing the app's interface. The smartphone screen displays a 3D assembly diagram of a metal frame with a horizontal beam and hanging components. The interface includes a 'Hardware Needed' label, a step number '17', and navigation controls like back, play/pause, and forward buttons.

**BILT.**<sup>®</sup>

**Scan for easy  
3D instructions**

Download the BILT app  
before you begin

Download on the  
App Store

GET IT ON  
Google Play

Hardware Needed

17

# ELECTRONICS SAFETY WARNING

**Note:**

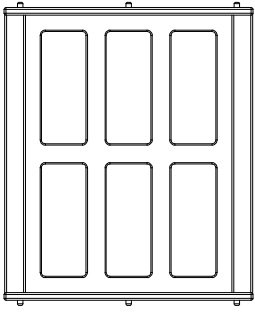
This equipment has been tested and found to comply with the limits for a Class B digital device, pursuant to part 15 of the FCC Rules. These limits are designed to provide reasonable protection against harmful interference in a residential installation. This equipment generates, uses and can radiate radio frequency energy and, if not installed and used in accordance with the instructions, may cause harmful interference to radio communications. However, there is no guarantee that interference will not occur in a particular installation. If this equipment does cause harmful interference to radio or television reception, which can be determined by turning the equipment off and on, the user is encouraged to try to correct the interference by one or more of the following measures:

- Reorient or relocate the receiving antenna.
- Increase the separation between the equipment and receiver.
- Connect the equipment into an outlet on a circuit different from that to which the receiver is connected.
- Consult the dealer or an experienced radio/TV technician for help

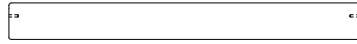
Caution: Changes or modifications not expressly approved by the party responsible for compliance could void the user's authority to operate the equipment.

# STEP 1 - BAY WINDOW ASSEMBLY

QTY	PART NUMBER	DESCRIPTION
4	H100200	SCREW PFH 8x1-1/2" BLK
4	H100385	SCREW PFH 8x1" BLK



**A100373**  
(3) **BAY WINDOW PANEL**

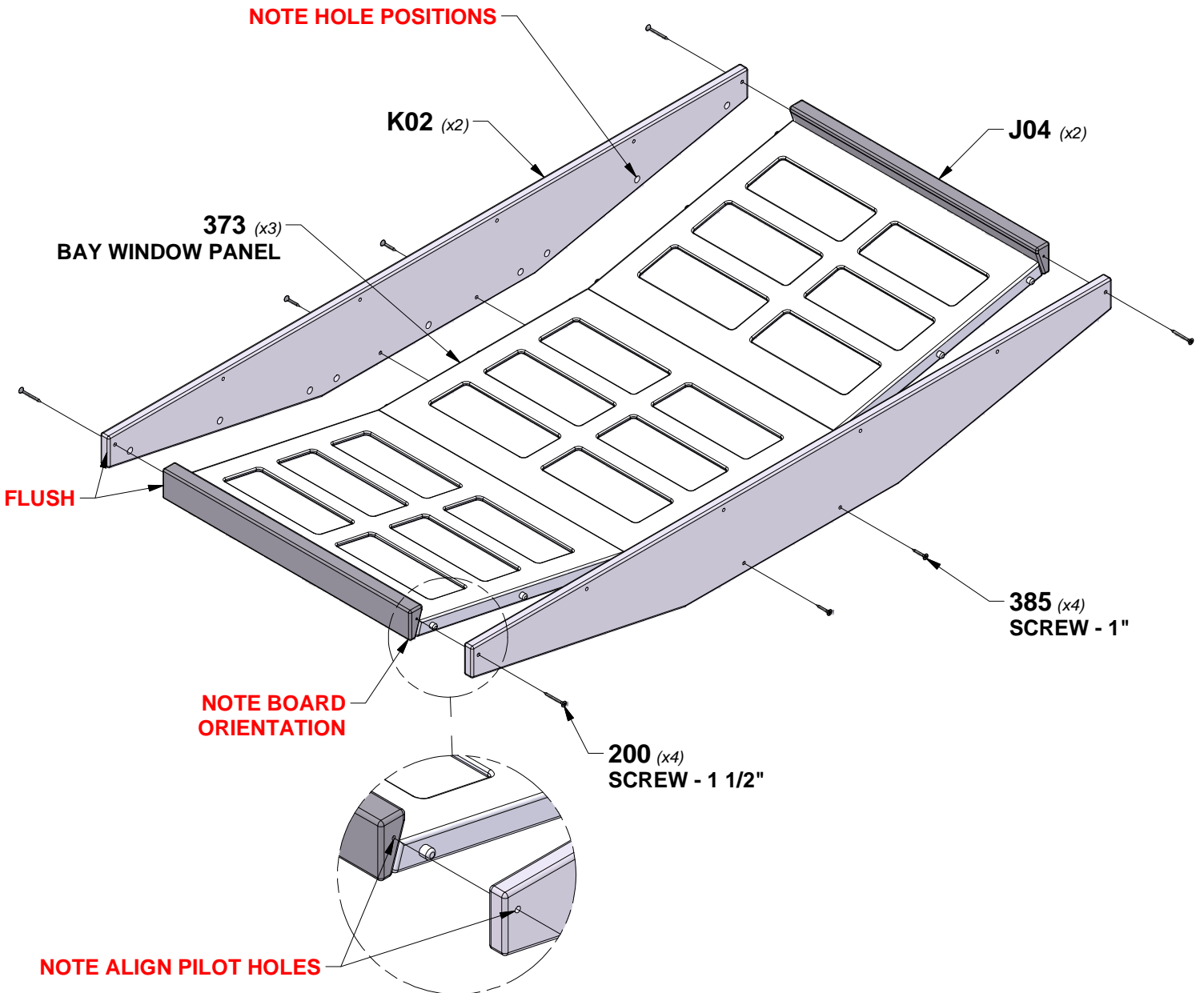


**J04 BAY WINDOW SIDE - W4L18922**  
(x2) 1"x1 7/8"x18 1/4" (24x48x464)



**K02 BAY WINDOW HEADER - W4L18921**  
(x2) 5/8"x5 1/4"x47 1/8" (16x134x1197)

**REPEAT THIS STEP TWICE.**



# STEP 1 - CROWS NEST DECK ASSEMBLY

QTY	PART NUMBER	DESCRIPTION
4	H100201	SCREW PFH 8x2-1/2" BLK
4	H100379	T-NUT 5/16" BLK

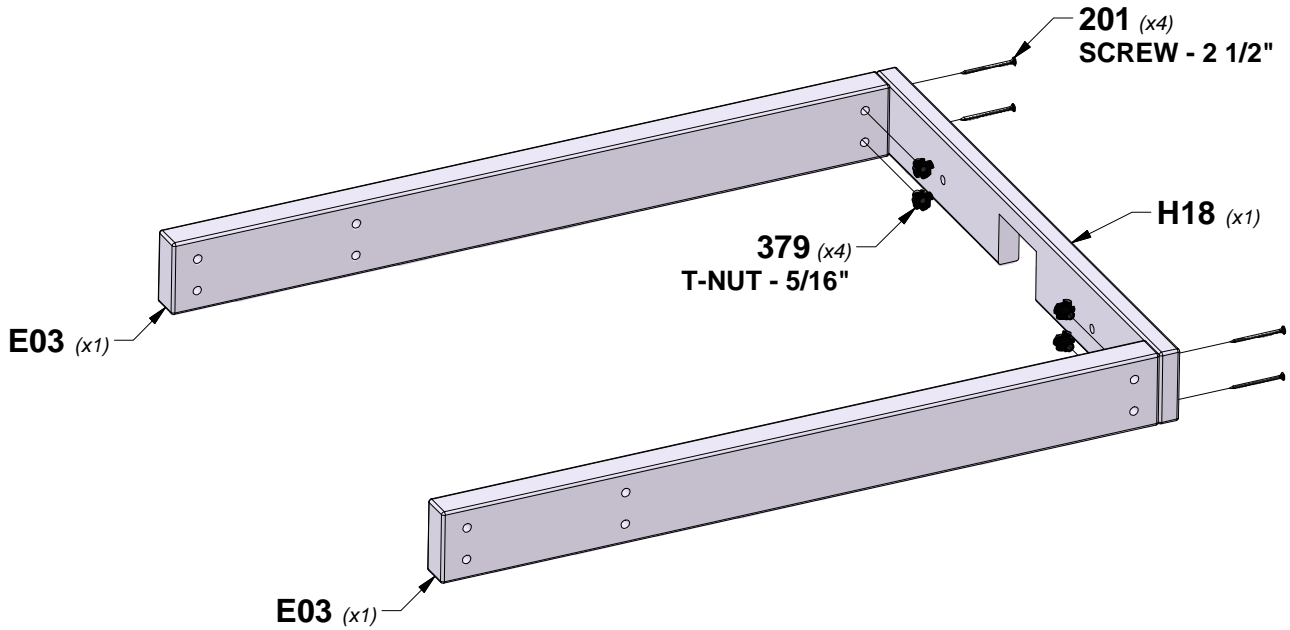


**E03 CROWS NEST FLOOR RAIL - W4L18664**  
 (x2) 1 3/8"x3 3/8"x33 1/4" (36x86x846)



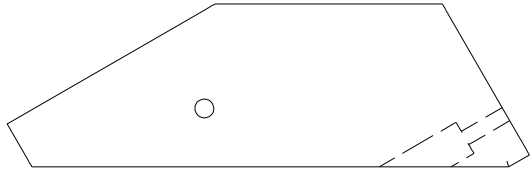
**H18 CROWS NEST FLOOR RAIL - W4L18666**  
 (x1) 1"x3 3/8"x27" (24x86x686)

**TIP:**  
**INSTALL T-NUTS IN WOOD FIRST.**  
**ALIGN PILOT HOLES.**



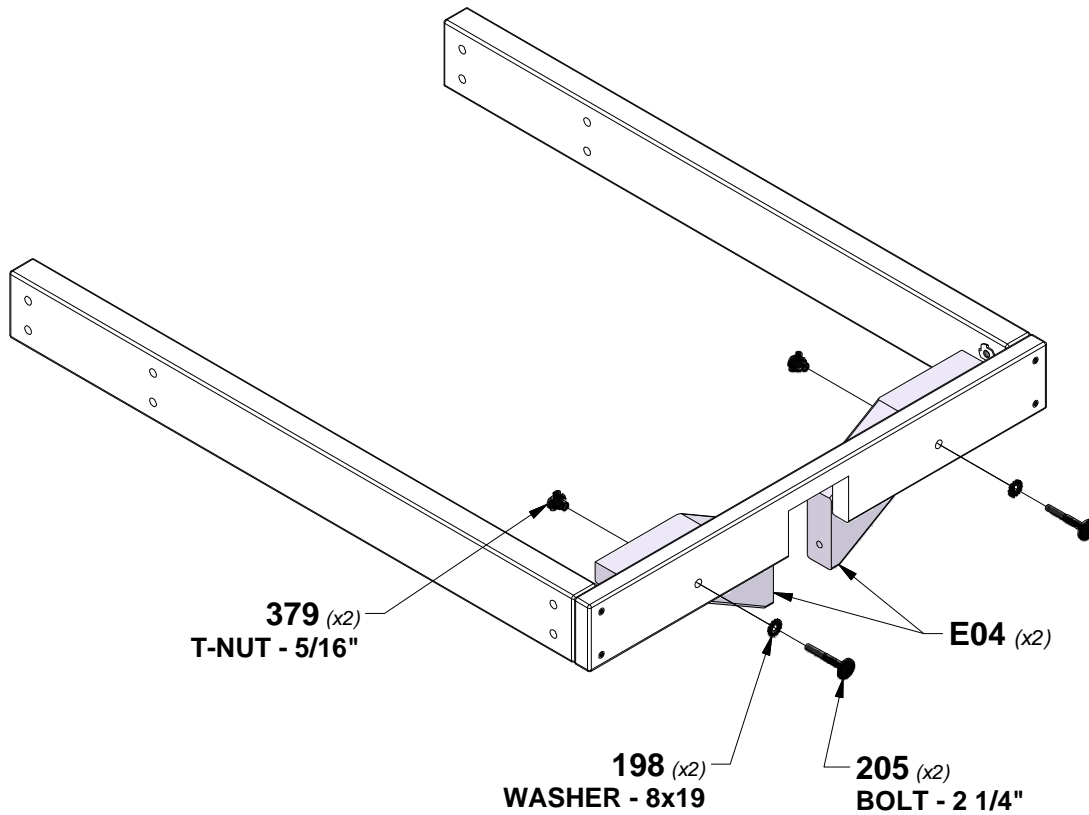
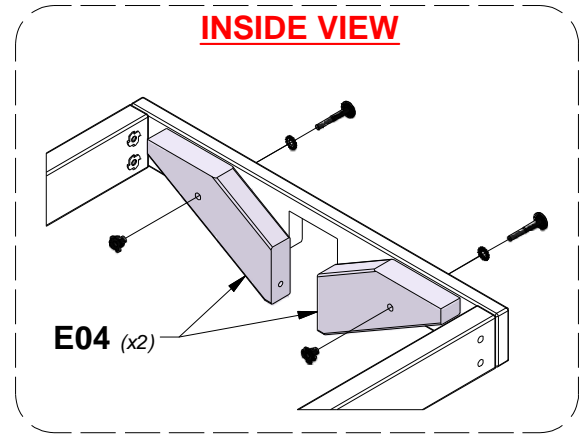
# STEP 2 - CROWS NEST DECK ASSEMBLY

QTY	PART NUMBER	DESCRIPTION
2	H100205	BOLT WH 5/16x2-1/4" BLK
2	H100198	WASHER LOCK EXT 8x19 BLK
2	H100379	T-NUT 5/16" BLK



**E04 CROWS NEST DECK BRACE - W4L18665**  
 (x2) 1 7/16"x3 3/8"x10 7/8" (36x86x276)

**TIP:**  
**INSTALL T-NUTS IN WOOD FIRST**





# STEP 3 - CROWS NEST DECK ASSEMBLY

QTY	PART NUMBER	DESCRIPTION
30	H100200	SCREW PFH 8x1-1/2" BLK



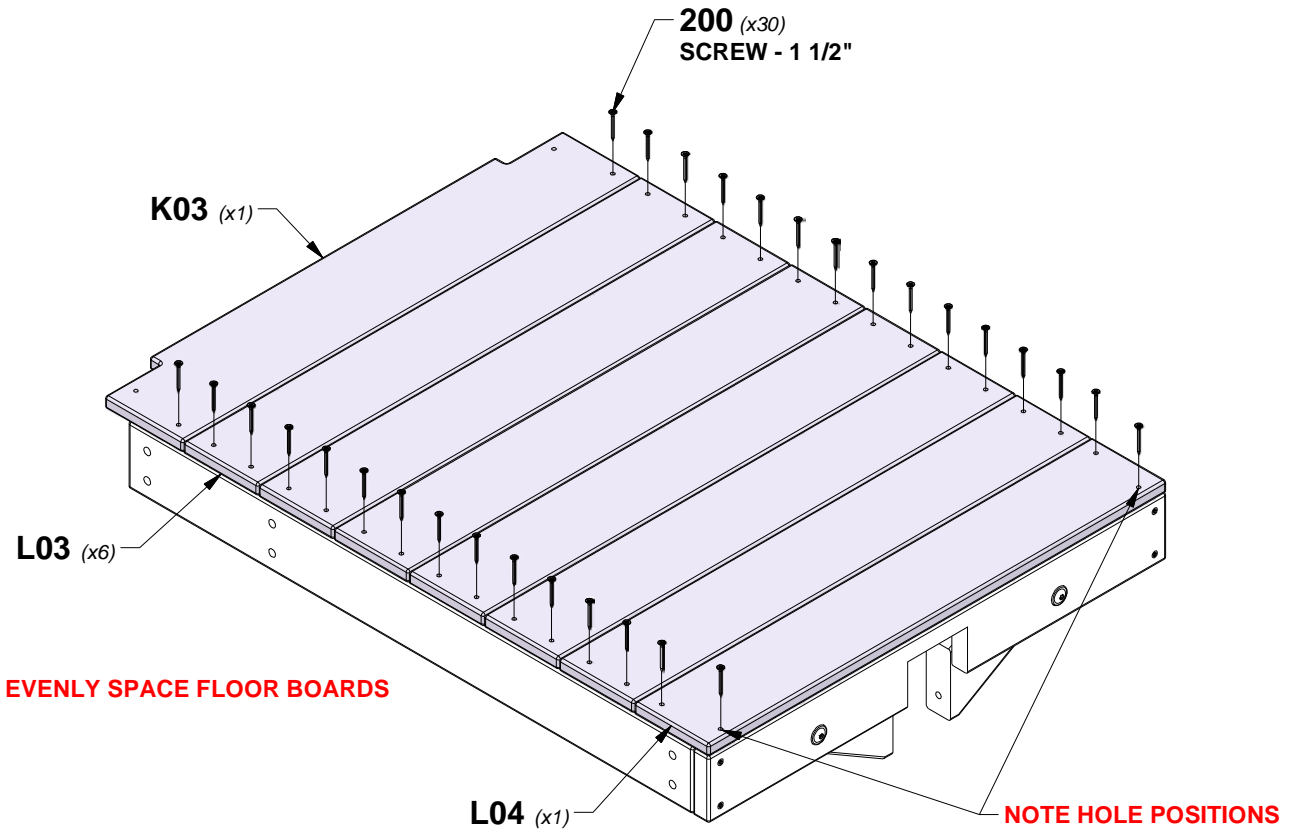
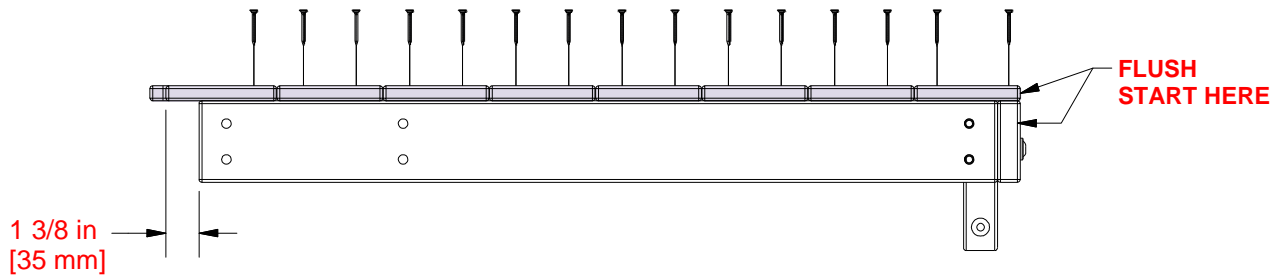
**L03 CROWS NEST FLOOR BOARD - W4L18668**  
 (x6) 5/8"x4 3/8"x27" (16x112x686)



**K03 CROWS NEST FLOOR BOARD - W4L18670**  
 (x1) 5/8"x5 1/4"x27" (16x134x686)



**L04 CROWS NEST FLOOR BOARD - W4L18669**  
 (x1) 5/8"x4 3/8"x27" (16x112x686)



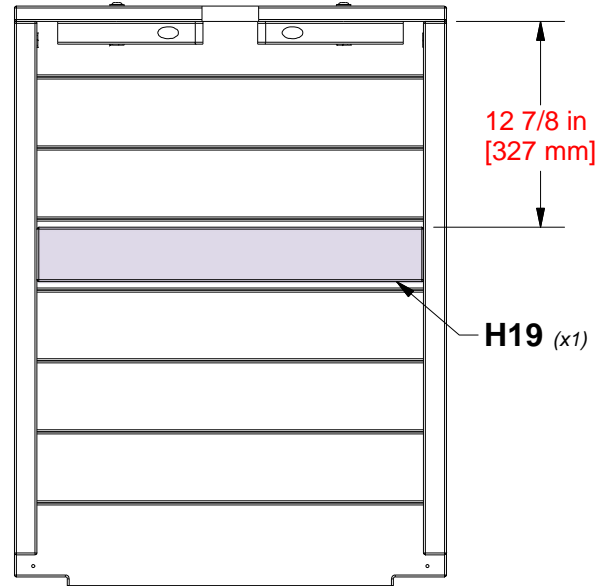
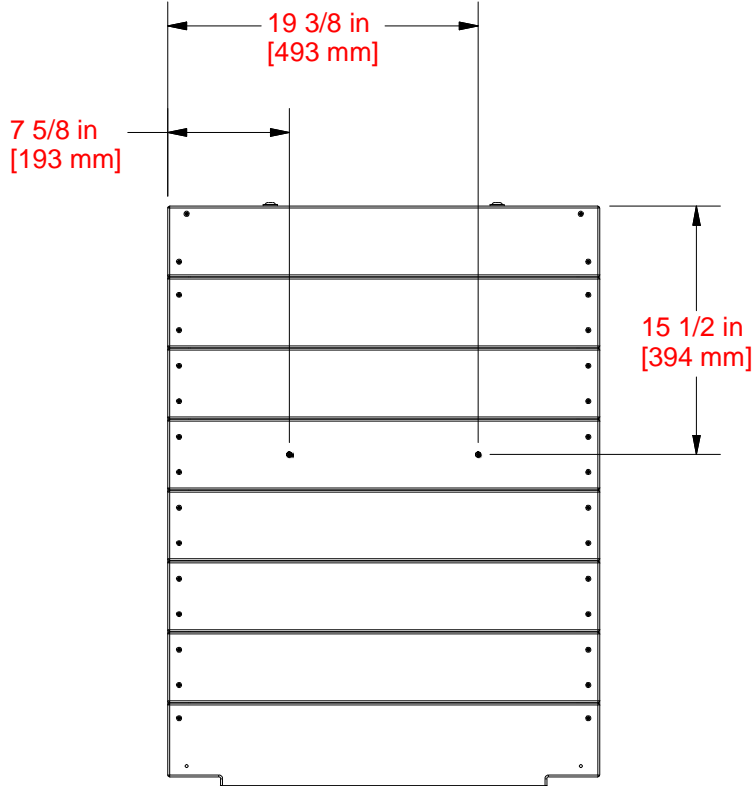
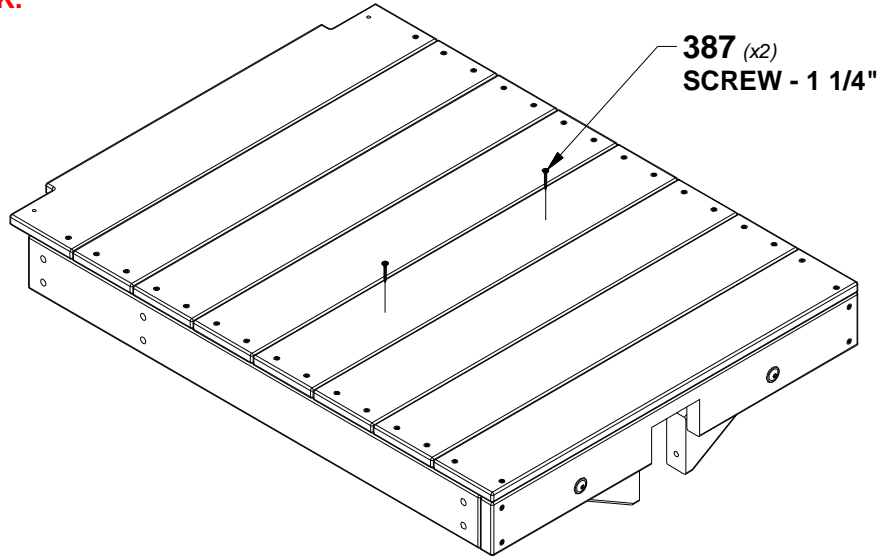
# STEP 4 - CROWS NEST DECK ASSEMBLY

QTY	PART NUMBER	DESCRIPTION
2	H100387	SCREW PFH 8x1-1/4" BLK



**H19 CROWS NEST FLOOR SUPPORT - W4L18667**  
 (x1) 1"x3 3/8"x24 1/8" (24x86x614)

**NOTE:**  
 MARK LOCATIONS SHOWN. USING A  
 3/16" (5 mm) DRILL BIT, DRILL (2)  
 PILOT HOLES THROUGH DECK.



# STEP 1 - LADDER & ROCK WALL ASSEMBLY

QTY	PART NUMBER	DESCRIPTION
8	H100201	SCREW PFH 8x2-1/2" BLK

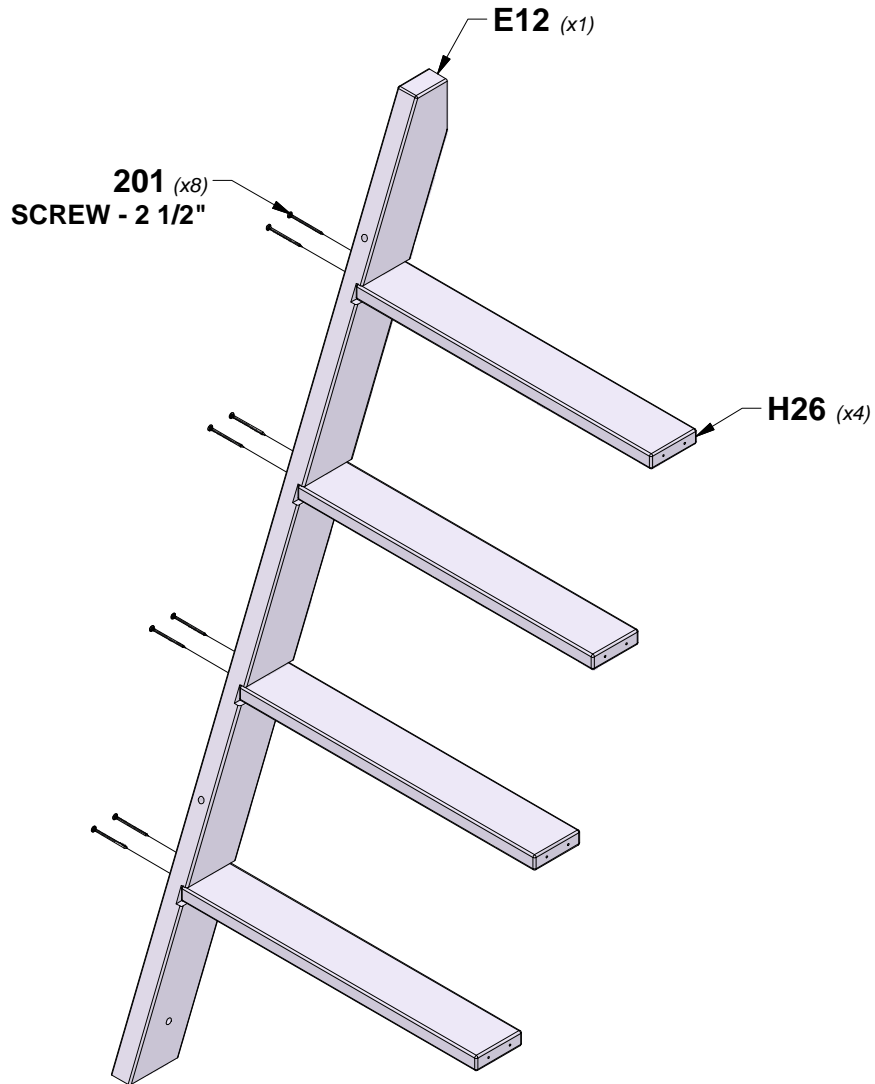


**E12 LEFT UPRIGHT - W4L18645**  
(x1) 1 3/8"x3 3/8"x57 3/8" (36x86x1456)



**H26 LADDER RUNG - W4L18647**  
(x4) 1"x3 3/8"x21 3/4" (24x86x554)

**TIP:**  
**ALIGN PILOT HOLES**

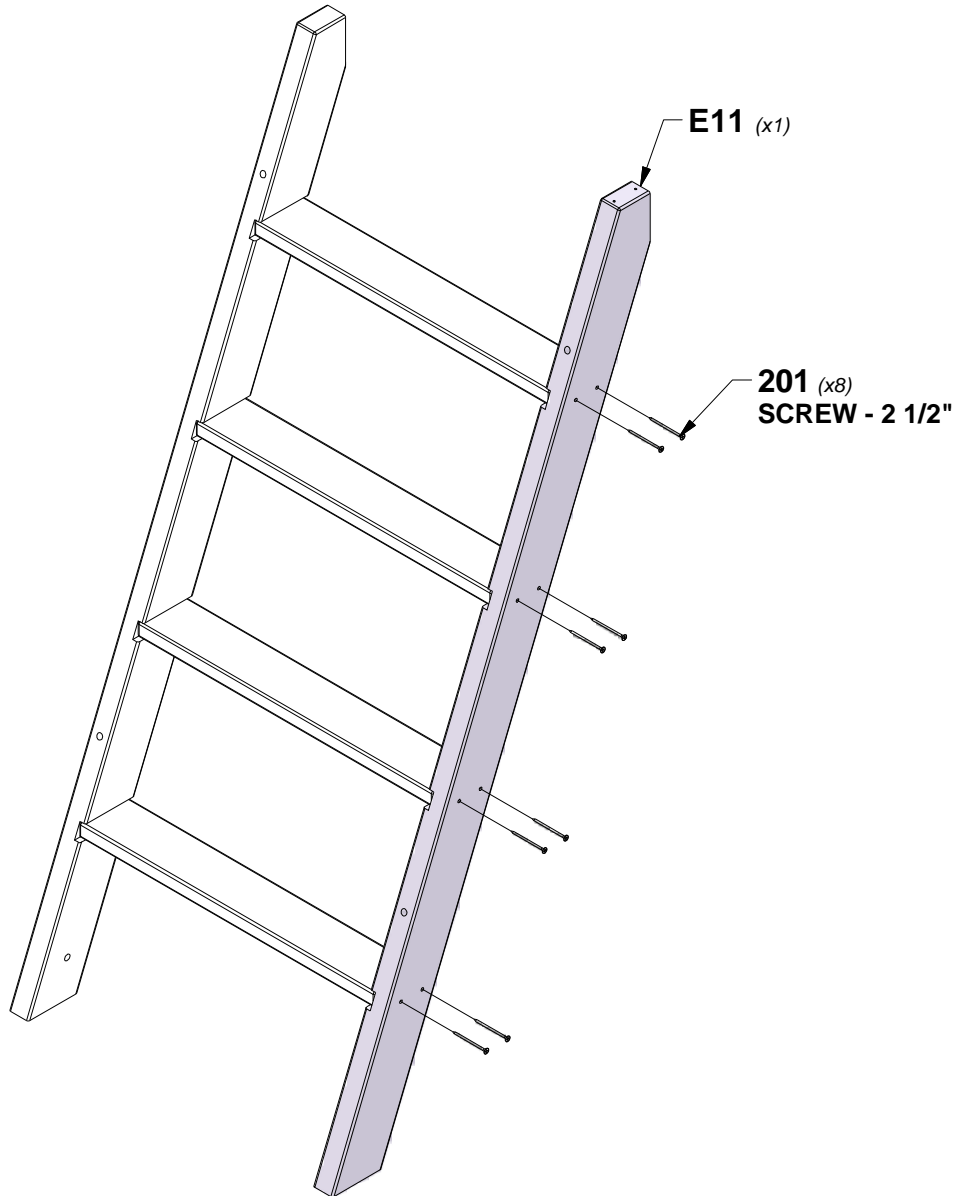


# STEP 2 - LADDER & ROCK WALL ASSEMBLY

QTY	PART NUMBER	DESCRIPTION
8	H100201	SCREW PFH 8x2-1/2" BLK

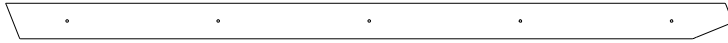


**E11 MIDDLE UPRIGHT - W4L18646**  
(x1) 1 3/8"x3 3/8"x57 3/8" (36x86x1456)



# STEP 3 - LADDER & ROCK WALL ASSEMBLY

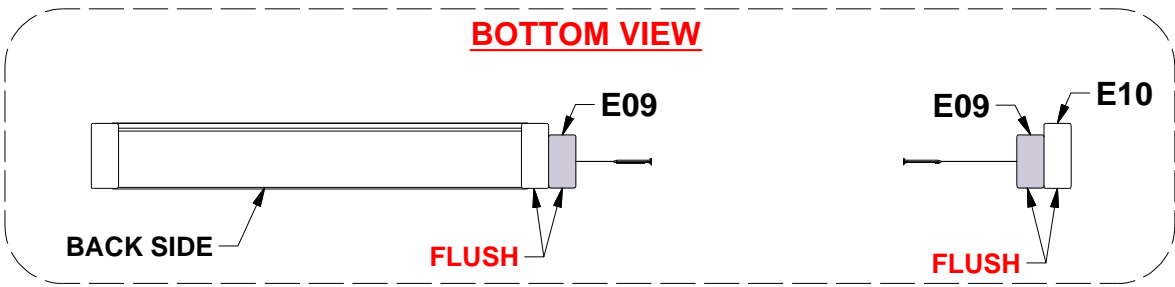
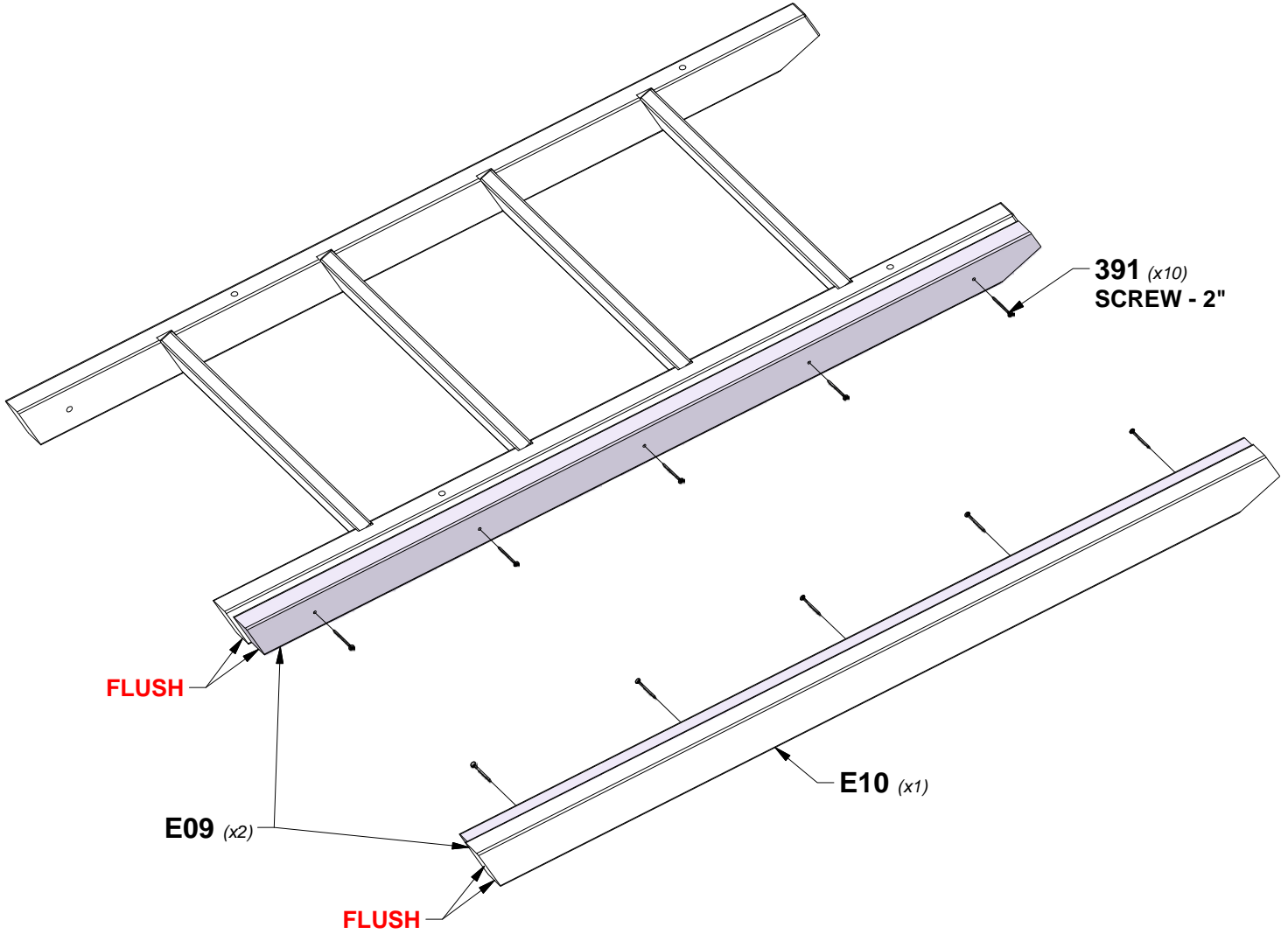
QTY	PART NUMBER	DESCRIPTION
10	H100391	SCREW PFH 8x2" BLK



**E09 UPRIGHT - W4L18656**  
 (x2) 1 3/8"x2 3/4"x56 7/8" (36x70x1444)



**E10 RIGHT UPRIGHT - W4L18650**  
 (x1) 1 3/8"x3 3/8"x57 3/8" (36x86x1456)



# STEP 4 - LADDER & ROCK WALL ASSEMBLY

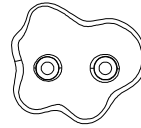
QTY	PART NUMBER	DESCRIPTION
20	H101111	BOLT WH 1/4x3/4 BLK
20	H100473	WASHER LOCK EXT 8x15 BLK
20	H100398	T-NUT 1/4 BLK



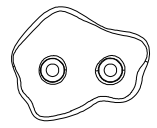
**M15 ROCK BOARD - W4L18653**  
(x4) 5/8"x3 3/8"x25 3/4" (16x86x655)



**M16 ROCK BOARD - W4L18654**  
(x3) 5/8"x3 3/8"x25 3/4" (16x86x655)

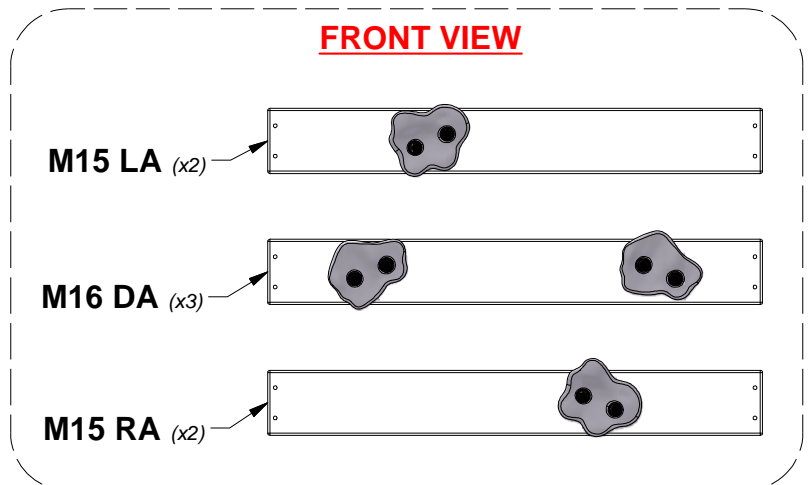
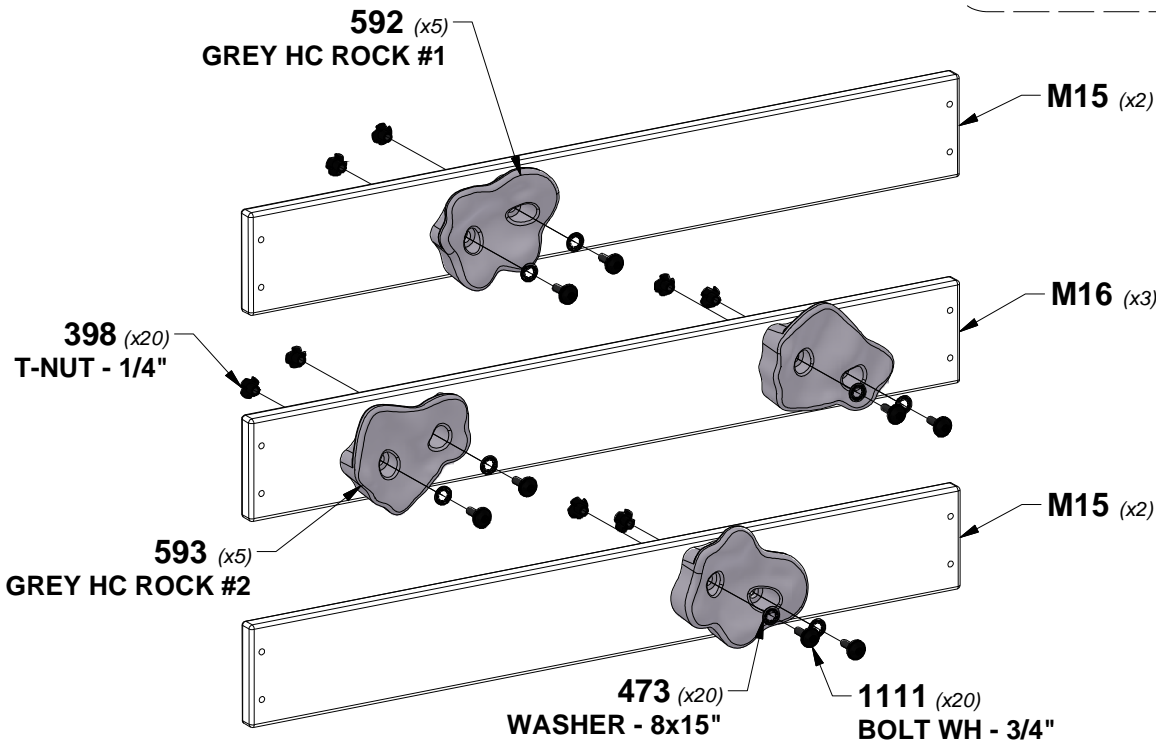
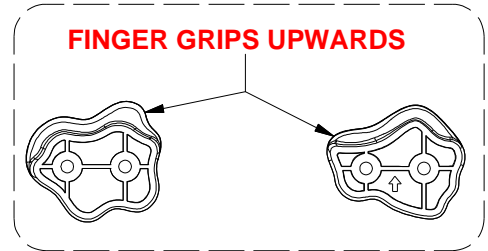


**A6P00592**  
(x5) **GREY HC ROCK #1**



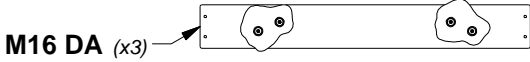
**A6P00593**  
(x5) **GREY HC ROCK #2**

**TIP:**  
**INSTALL T-NUTS IN WOOD FIRST**

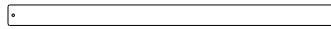


# STEP 5 - LADDER & ROCK WALL ASSEMBLY

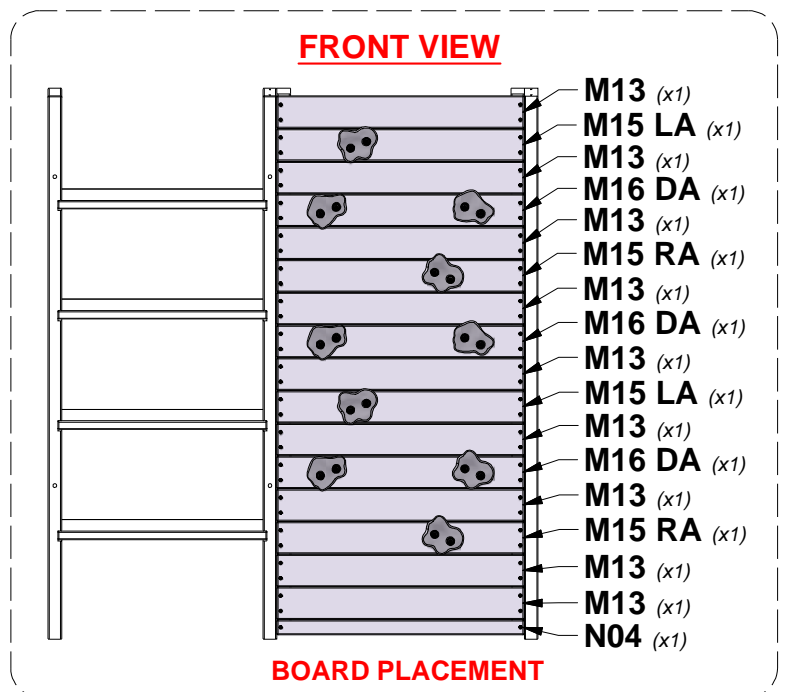
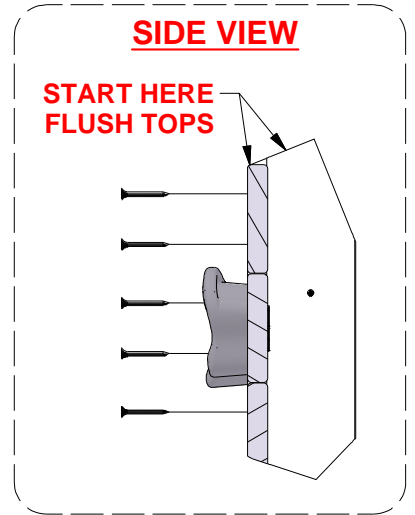
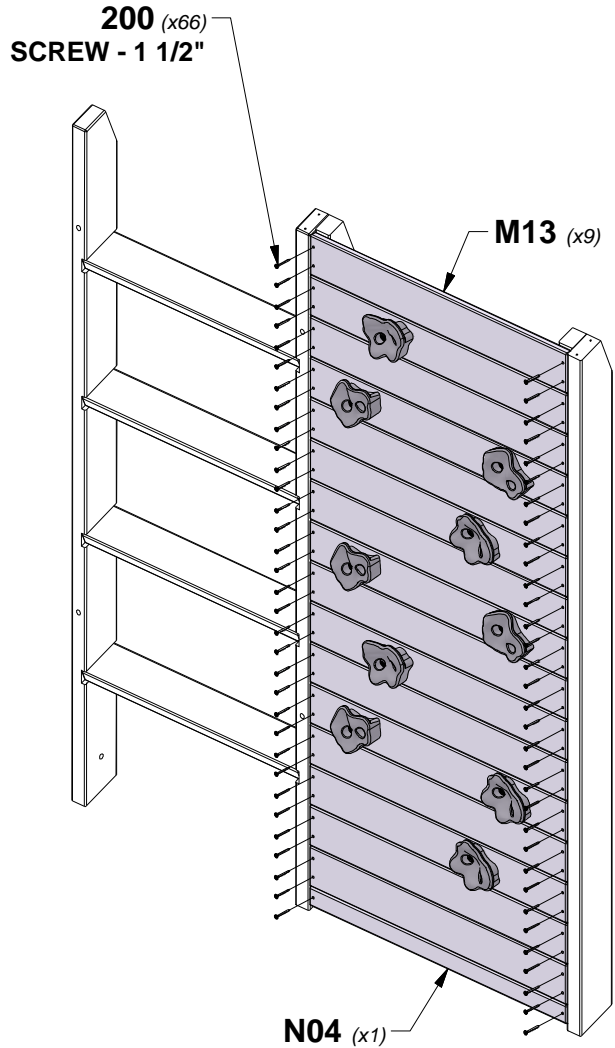
QTY	PART NUMBER	DESCRIPTION
66	H100200	SCREW PFH 8x1-1/2" BLK



**M13 ROCK BOARD - W4L18652**  
(x9) 5/8"x3 3/8"x25 3/4" (16x86x655)



**N04 ROCK WALL BOARD - W4L18651**  
(x1) 5/8"x1 5/8"x25 3/4" (16x40x655)

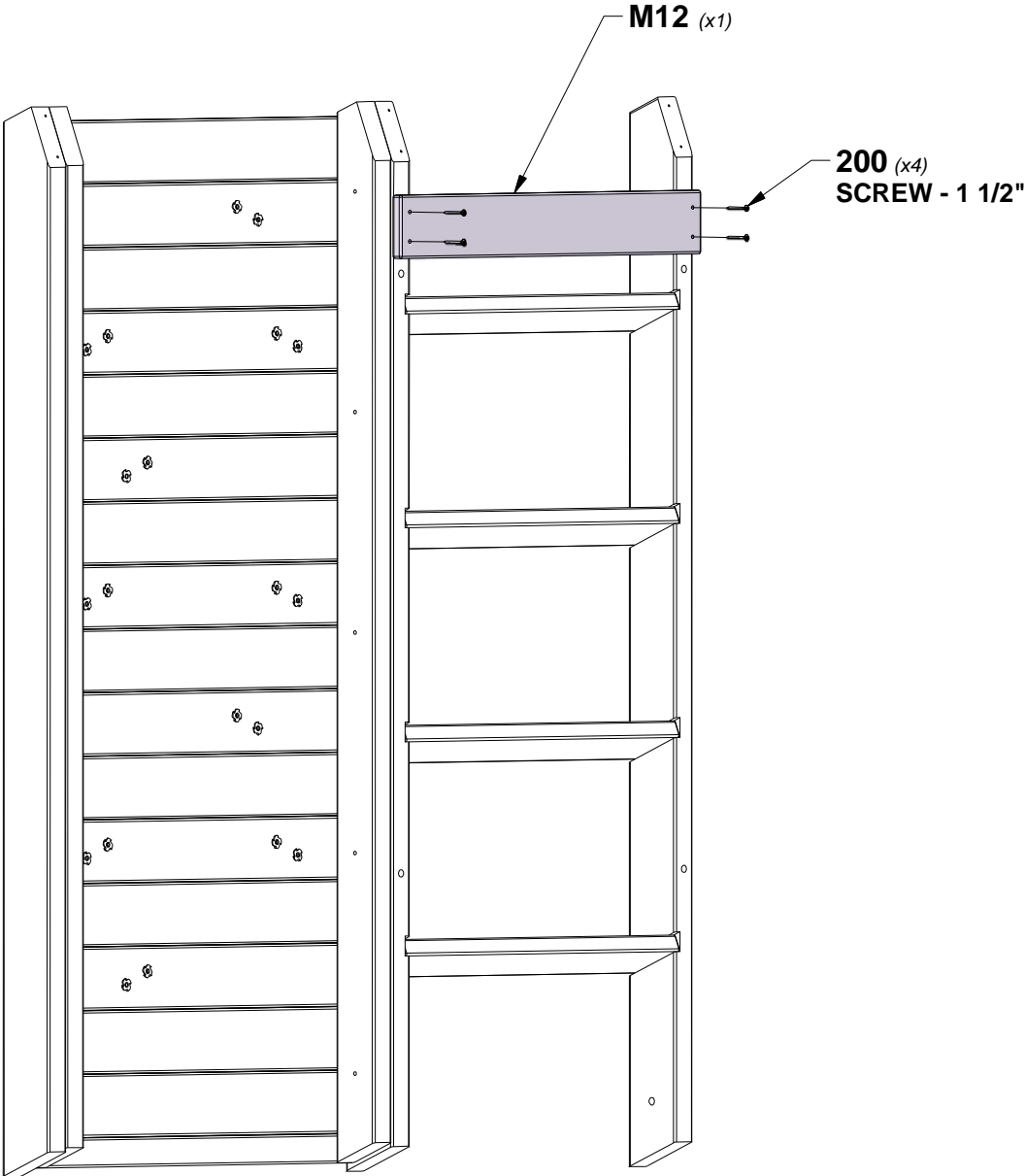


# STEP 6 - LADDER & ROCK WALL ASSEMBLY

QTY	PART NUMBER	DESCRIPTION
4	H100200	SCREW PFH 8x1-1/2" BLK



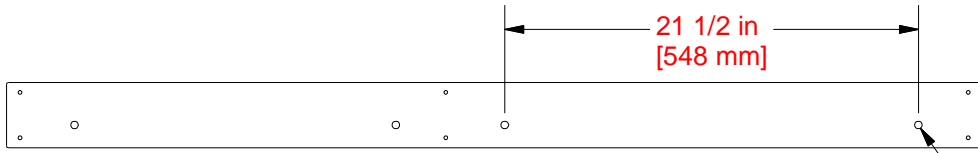
**M12 REAR SUPPORT - W4L18648**  
(x1) 5/8"x3 3/8"x23 7/8" (16x86x606)





# STEP 7 - LADDER & ROCK WALL ASSEMBLY

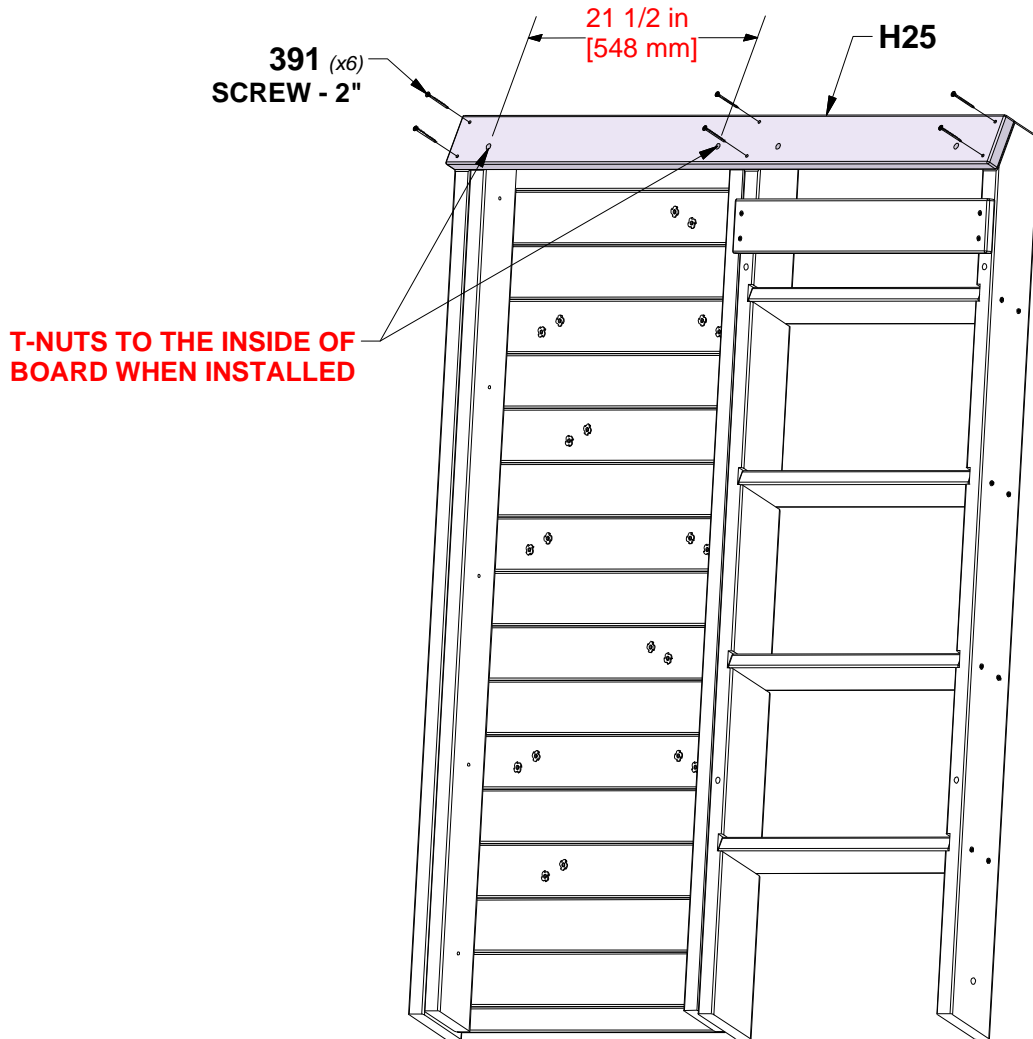
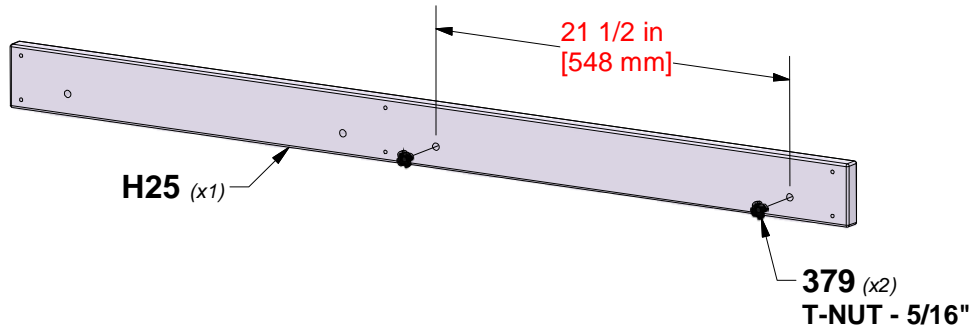
QTY	PART NUMBER	DESCRIPTION
6	H100391	SCREW PFH 8x2" BLK
2	H100379	T-NUT 5/16" BLK



**H25 ATTACHMENT BOARD - W4L18649**  
 (x1) 1"x3 3/8"x51 1/8" (24x86x1297)

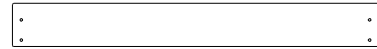
**HOLES DOWNWARD**

**TIP:  
 INSTALL T-NUTS IN WOOD FIRST**



# STEP 8 - LADDER & ROCK WALL ASSEMBLY

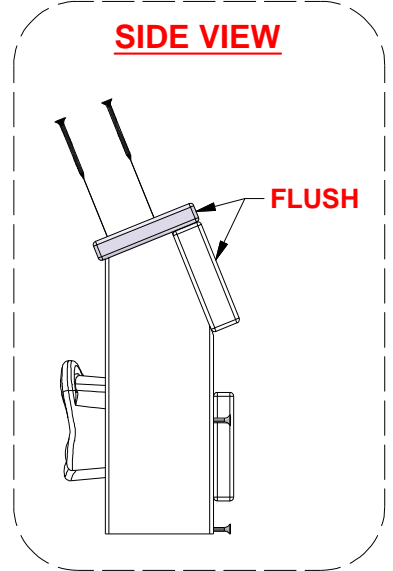
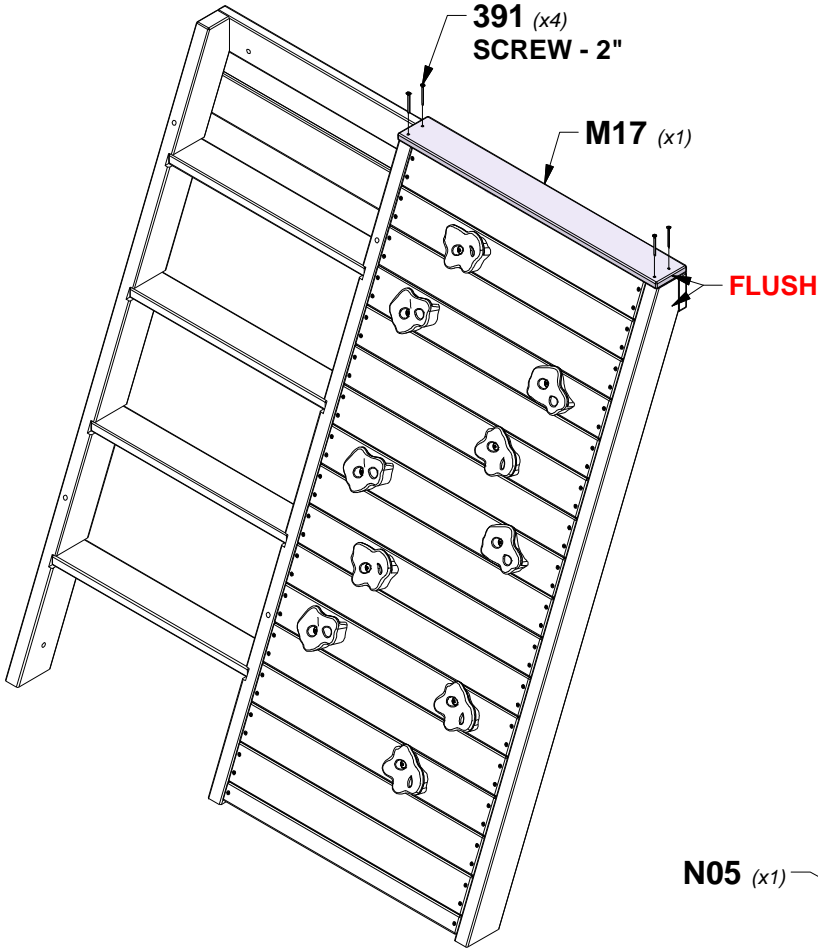
QTY	PART NUMBER	DESCRIPTION
11	H100380	SCREW PFH 8x1 1/8" BLK
4	H100391	SCREW PFH 8x2" BLK



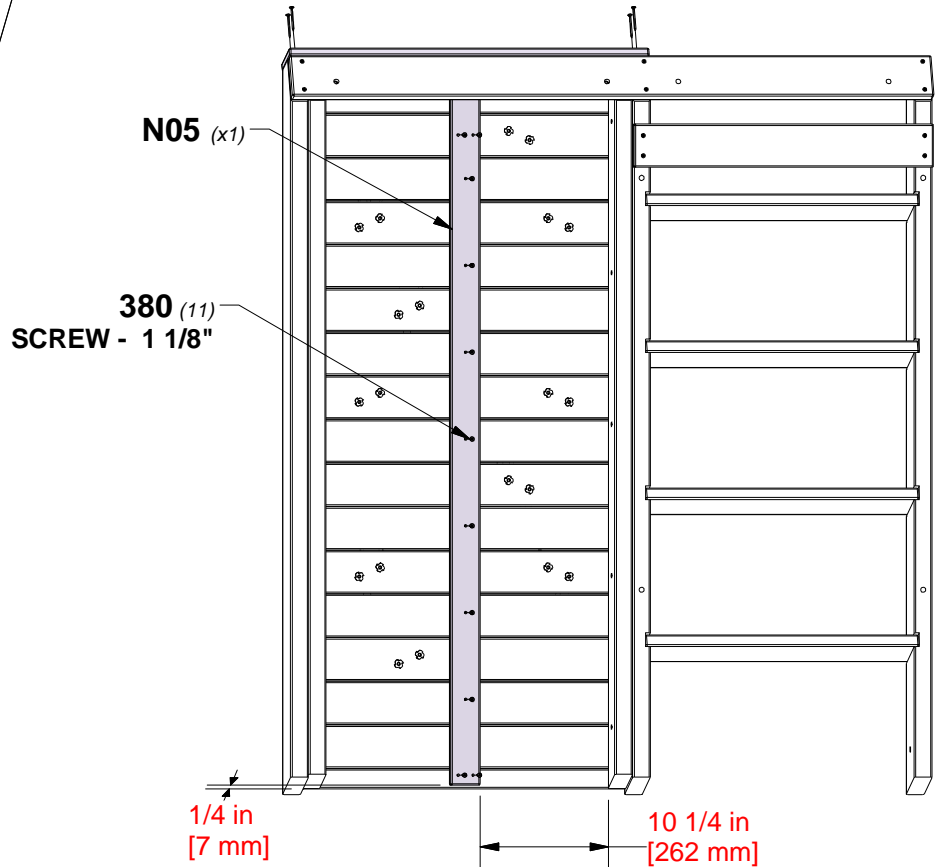
**M17 TOP BOARD - W4L18657**  
 (x1) 5/8"x3 3/8"x28 5/8" (16x86x728)



**N05 ROCKWALL CLEAT - W4L18655**  
 (x1) 5/8"x2 3/8"x53 7/8" (16x60x1370)



**CENTER N05 AS SHOWN BELOW**



1/4 in  
[7 mm]

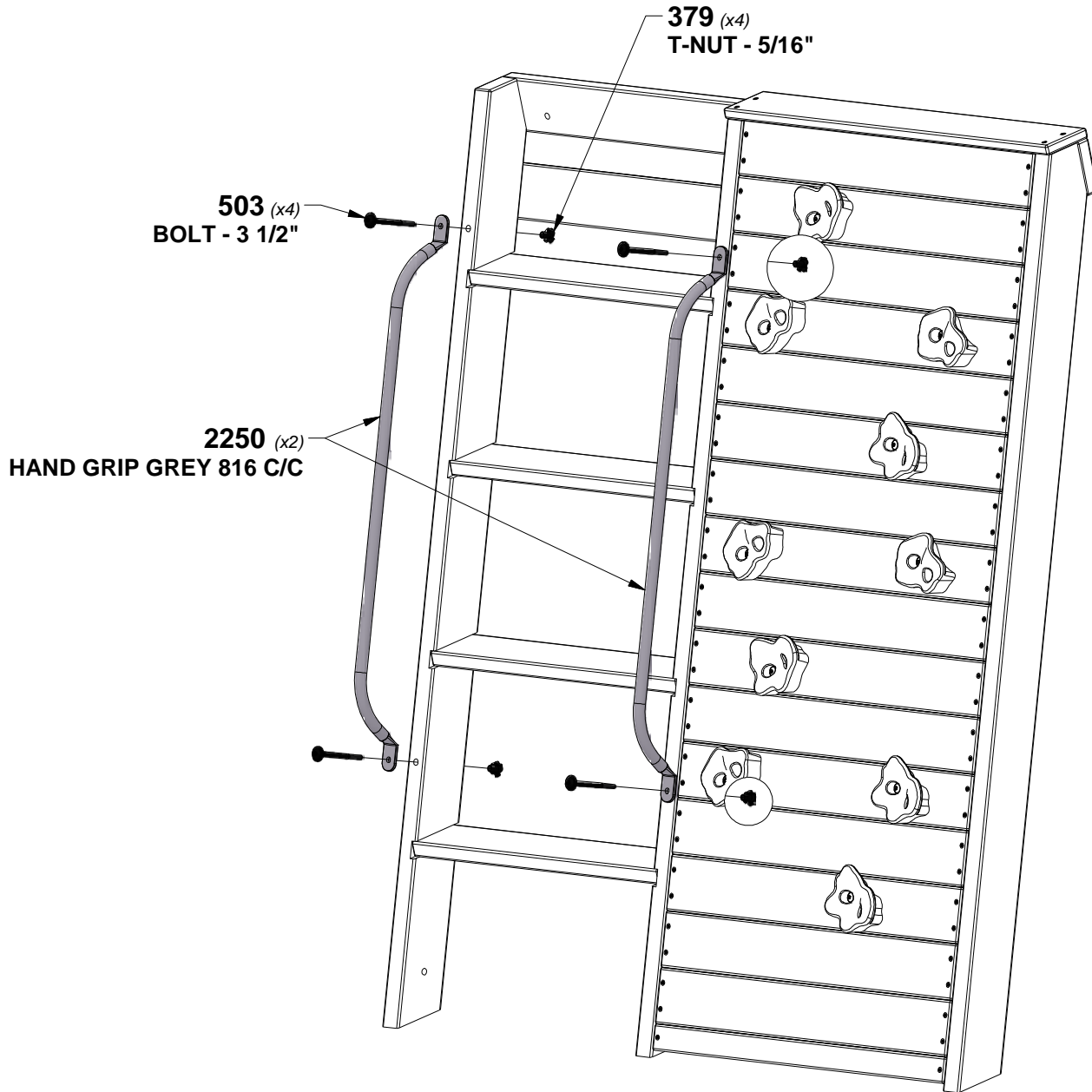
10 1/4 in  
[262 mm]

# STEP 9 - LADDER & ROCK WALL ASSEMBLY

QTY	PART NUMBER	DESCRIPTION
4	H100503	BOLT WH 5/16x3-1/2" BLK
4	H100379	T-NUT 5/16" BLK

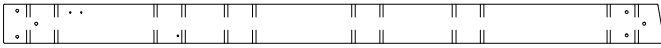


**TIP:**  
**INSTALL T-NUTS IN WOOD FIRST**



# STEP 1 - SWING BEAM ASSEMBLY

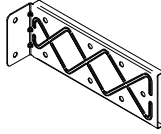
QTY	PART NUMBER	DESCRIPTION
10	H100416	BOLT WH 5/16x3" BLK
10	H100192	NUT BARREL WH 5/16x7/8" BLK



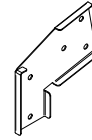
**A1 SWING BEAM EXTENDED - W4L18662**  
(x1) 3 3/8"x5 1/4"x89 1/2" (86x134x2274)



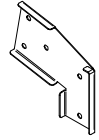
**A2 SB 9" BLOCK - W4L18663**  
(x1) 3 3/8"x5 1/4"x9" (86x134x228)



**A4M01679 EXTENDED SWING BEAM BRACKET**  
(x2)

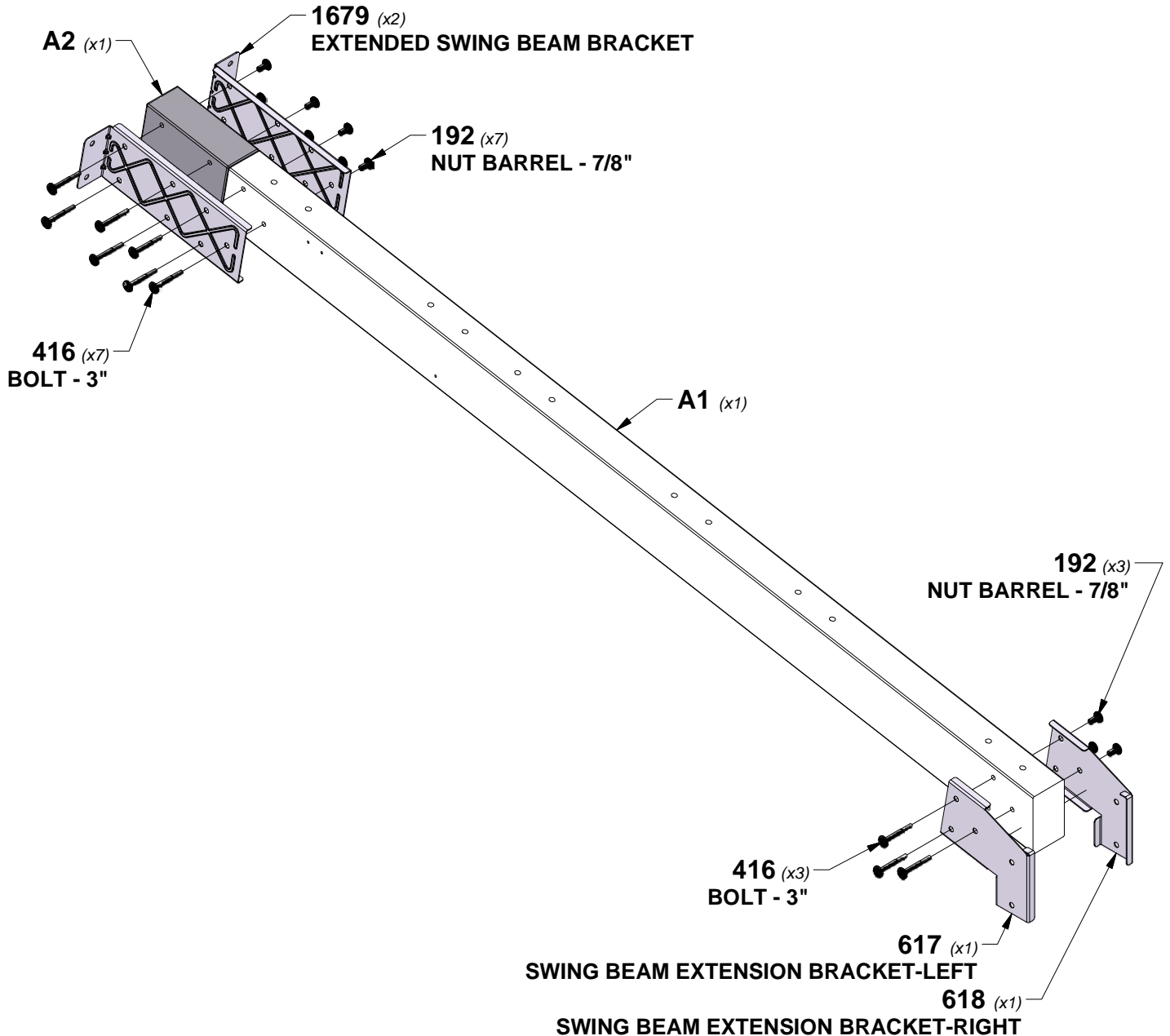
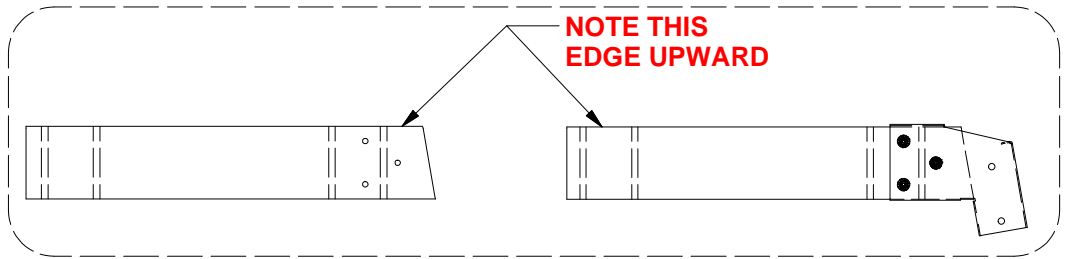


**A4M00617 SWING BEAM EXTENSION BRACKET - LEFT**  
(x1)

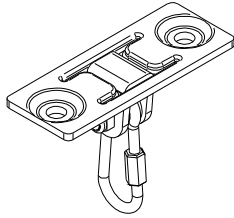


**A4M00618 SWING BEAM EXTENSION BRACKET - RIGHT**  
(x1)

**TIP:**  
LEAVE 416 BOLTS & 192 NUT BARRELS HAND TIGHT.



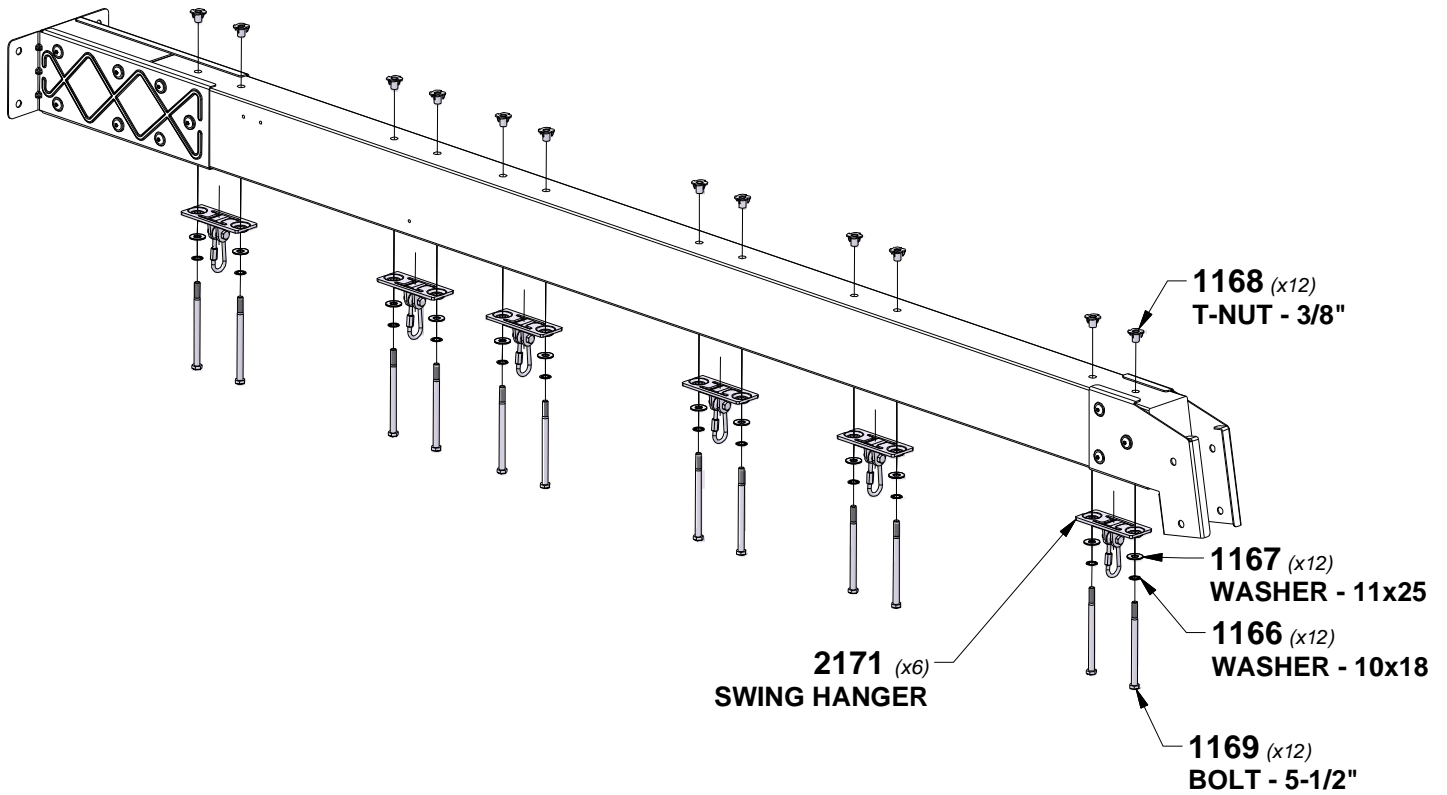
# STEP 2 - SWING BEAM ASSEMBLY



**A4M02171**  
(x6) **SWING HANGER**

QTY	PART NUMBER	DESCRIPTION
12	H101166	WASHER LOCK INT 10x18 BLK
12	H101167	WASHER FLAT 11x25 BLK
12	H101168	T-NUT 3/8" BLK
12	H101169	BOLT HEX 3/8x5-1/2 BLK

**TIP:**  
**INSTALL T-NUTS IN WOOD FIRST**

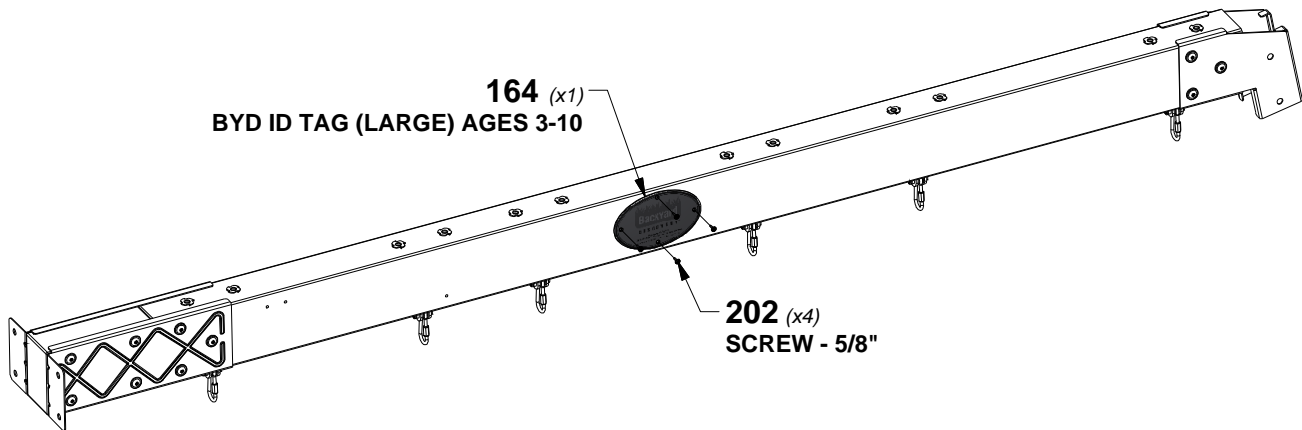
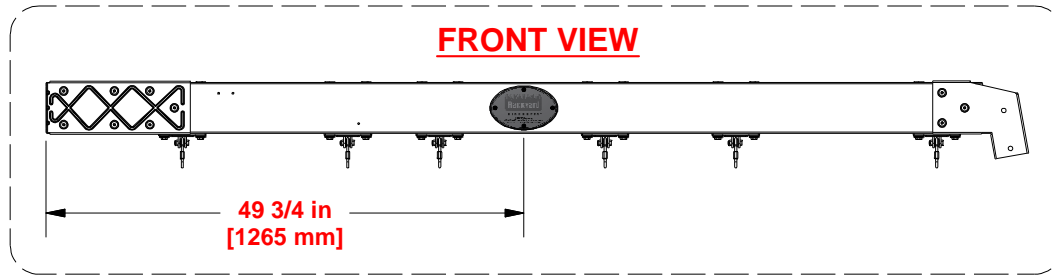


# STEP 3 - SWING BEAM ASSEMBLY

QTY	PART NUMBER	DESCRIPTION
4	H100202	SREW PWH 8x5/8" BLK

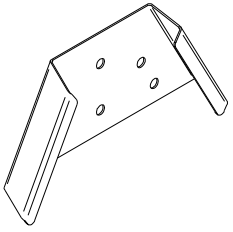


**A100164 BYD ID TAG (LARGE)**  
*(x1)* AGES 3-10

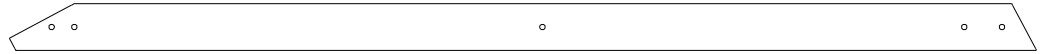


# STEP 4 - SWING BEAM ASSEMBLY

QTY	PART NUMBER	DESCRIPTION
2	H100503	BOLT WH 5/16x3-1/2" BLK
4	H100407	BOLT WH 5/16x1-1/2" BLK
6	H100379	T-NUT 5/16" BLK



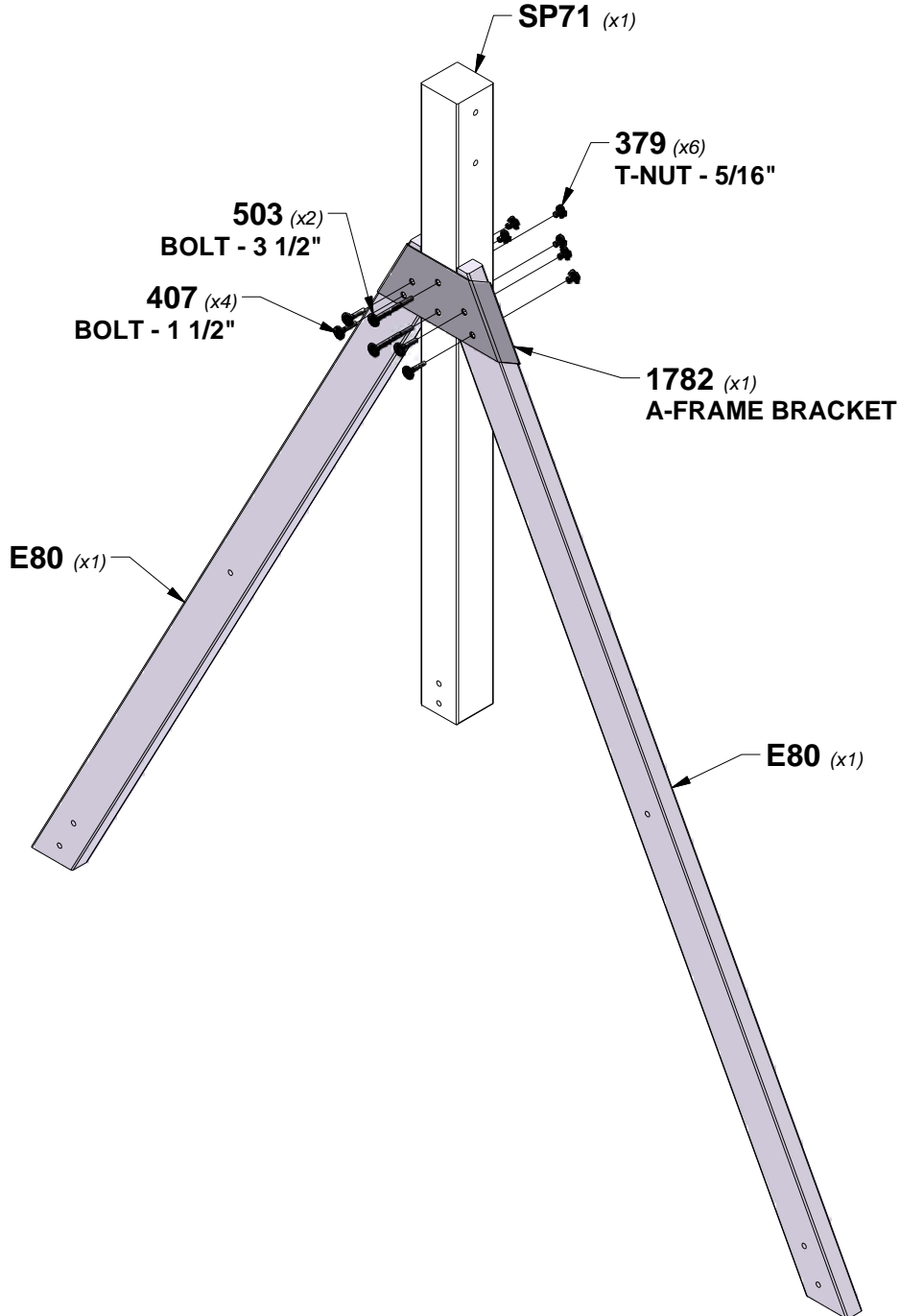
**SP71 SWING BEAM SUPPORT - W4L18661**  
 (x1) 3 3/8"x3 3/8"x49 1/2" (86x86x1256)



**E80 ANGLE BRACE - W4L18659**  
 (x2) 1 3/8"x3 3/8"x74 7/8" (36x86x1903)

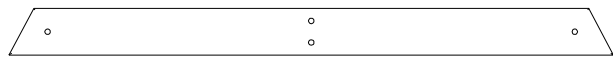
**A4M01782 A-FRAME BRACKET**  
 (x1)

**TIP:**  
**INSTALL T-NUTS IN WOOD FIRST**



# STEP 5 - SWING BEAM ASSEMBLY

QTY	PART NUMBER	DESCRIPTION
2	H100195	BOLT WH 5/16x2-3/4" BLK
4	H100205	BOLT WH 5/16x2-1/4" BLK
8	H100198	WASHER LOCK EXT 8x19 BLK
8	H100379	T-NUT 5/16" BLK
2	H100480	BOLT WH 5/16x4-3/4" BLK

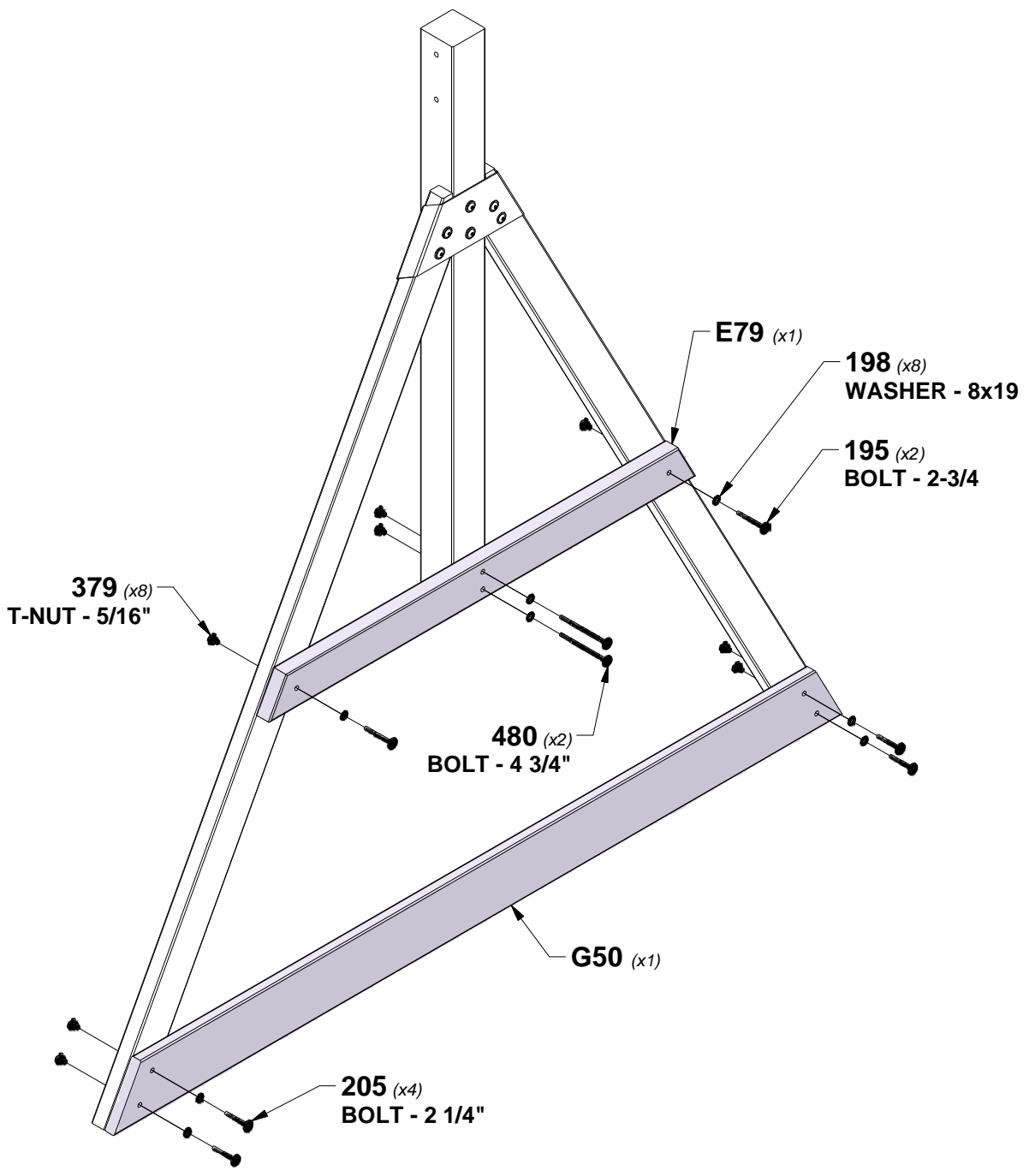


**E79 END SUPPORT - W4L18660**  
 (x1) 1 1/2"x3 1/2"x44" (36x86x1120)



**G50 GROUND BOARD - W4L18658**  
 (x1) 1"x5 1/4"x75 1/4" (24x134x1912)

**TIP:**  
**INSTALL T-NUTS IN WOOD FIRST**

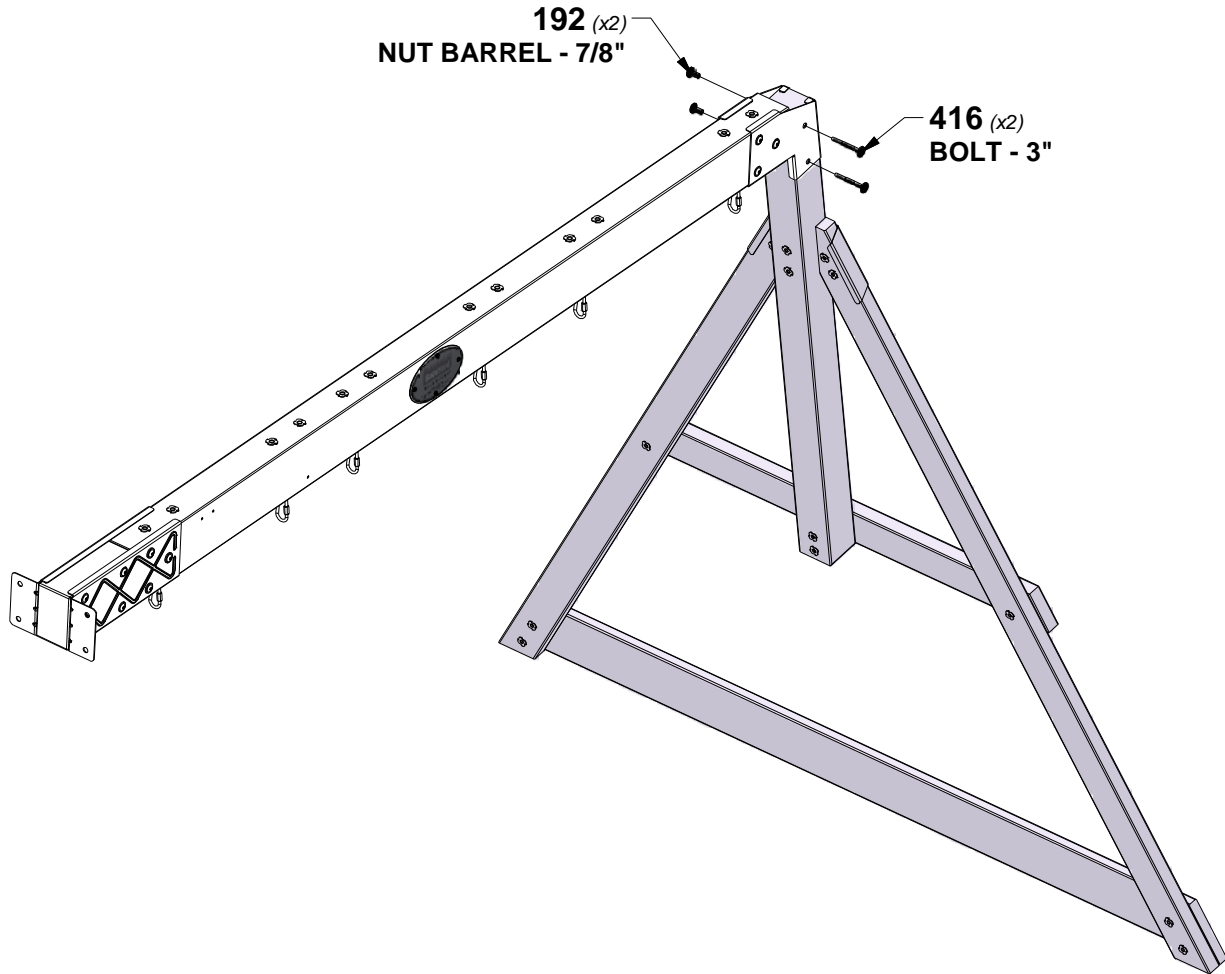




# STEP 6 - SWING BEAM ASSEMBLY

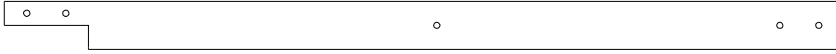
QTY	PART NUMBER	DESCRIPTION
2	H100416	BOLT WH 5/16x3" BLK
2	H100192	NUT BARREL WH 5/16x7/8" BLK

**TIP:**  
**TIGHTEN ALL 416 BOLTS & 192 NUT BARRELS NOW.**



# STEP 1 - FORT ASSEMBLY

QTY	PART NUMBER	DESCRIPTION
8	H100198	WASHER LOCK EXT 8x19 BLK
8	H100379	T-NUT 5/16 BLK
8	H100415	BOLT WH 5/16x3 3/4 BLK



**B03 POST - W4L18934**  
(x1) 3"x3"x52 3/8" (76x76x1330)



**B01 POST ASSEMBLY - W2A03793**  
(x1) 3"x3"x63 7/16" (76x76x1330)

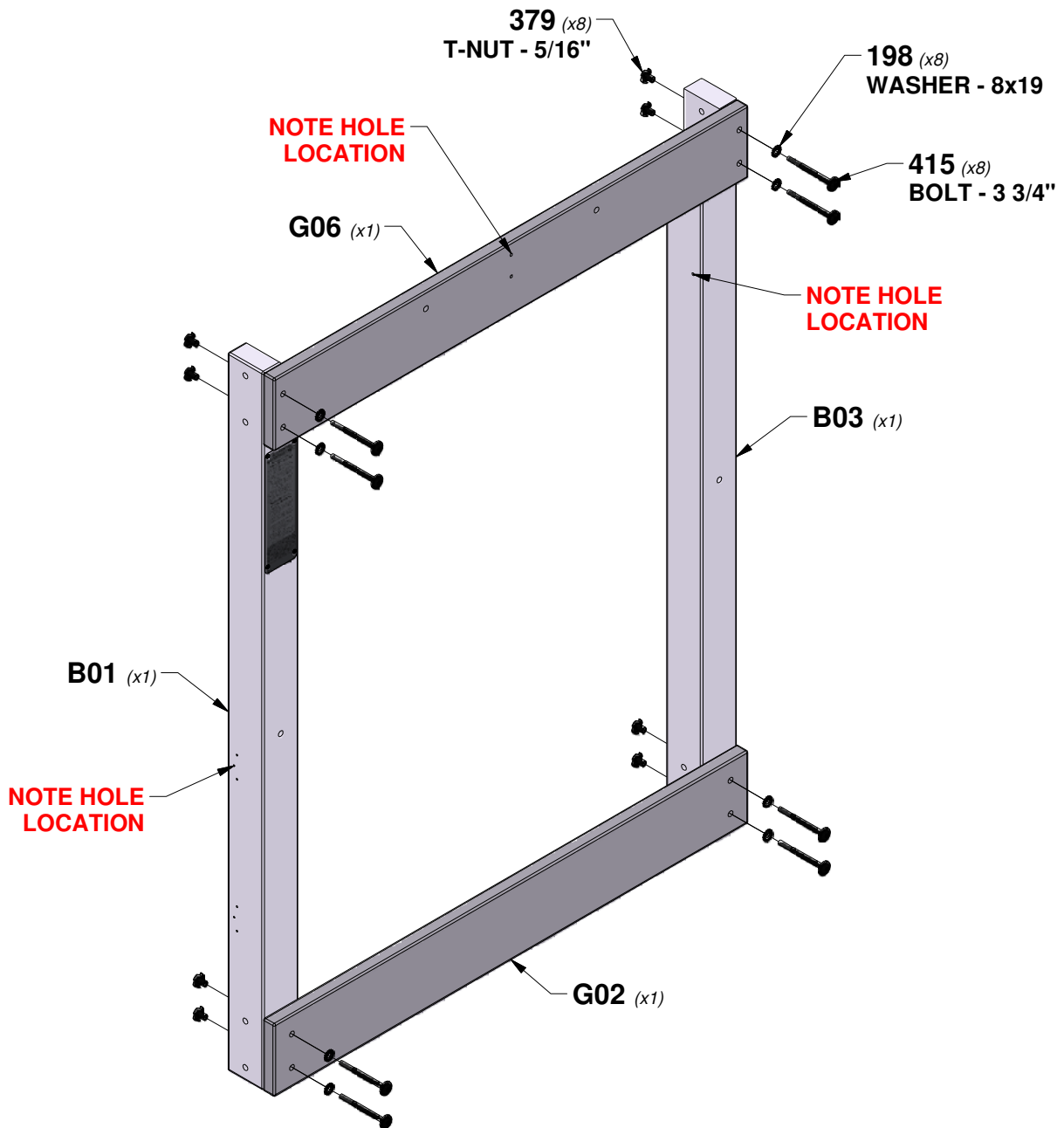


**G06 FLOOR RAIL - W4L18952**  
(x1) 1"x5 1/4"x40" (24x134x1017)



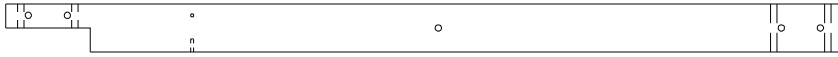
**G02 GROUND BOARD - W4L18937**  
(x1) 1"x5 1/4"x40" (24x134x1017)

**TIP:**  
INSTALL T-NUTS IN WOOD FIRST



# STEP 2 - FORT ASSEMBLY

QTY	PART NUMBER	DESCRIPTION
8	H100198	WASHER LOCK EXT 8x19 BLK
8	H100379	T-NUT 5/16 BLK
8	H100415	BOLT WH 5/16x3 3/4 BLK



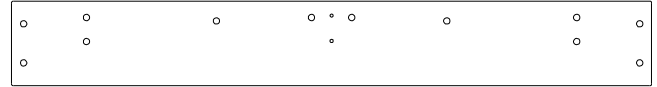
**B02 POST - W4L18933**  
(x1) 3"x3"x52 3/8" (76x76x1330)



**B04 POST - W4L18935**  
(x1) 3"x3"x52 3/8" (76x76x1330)

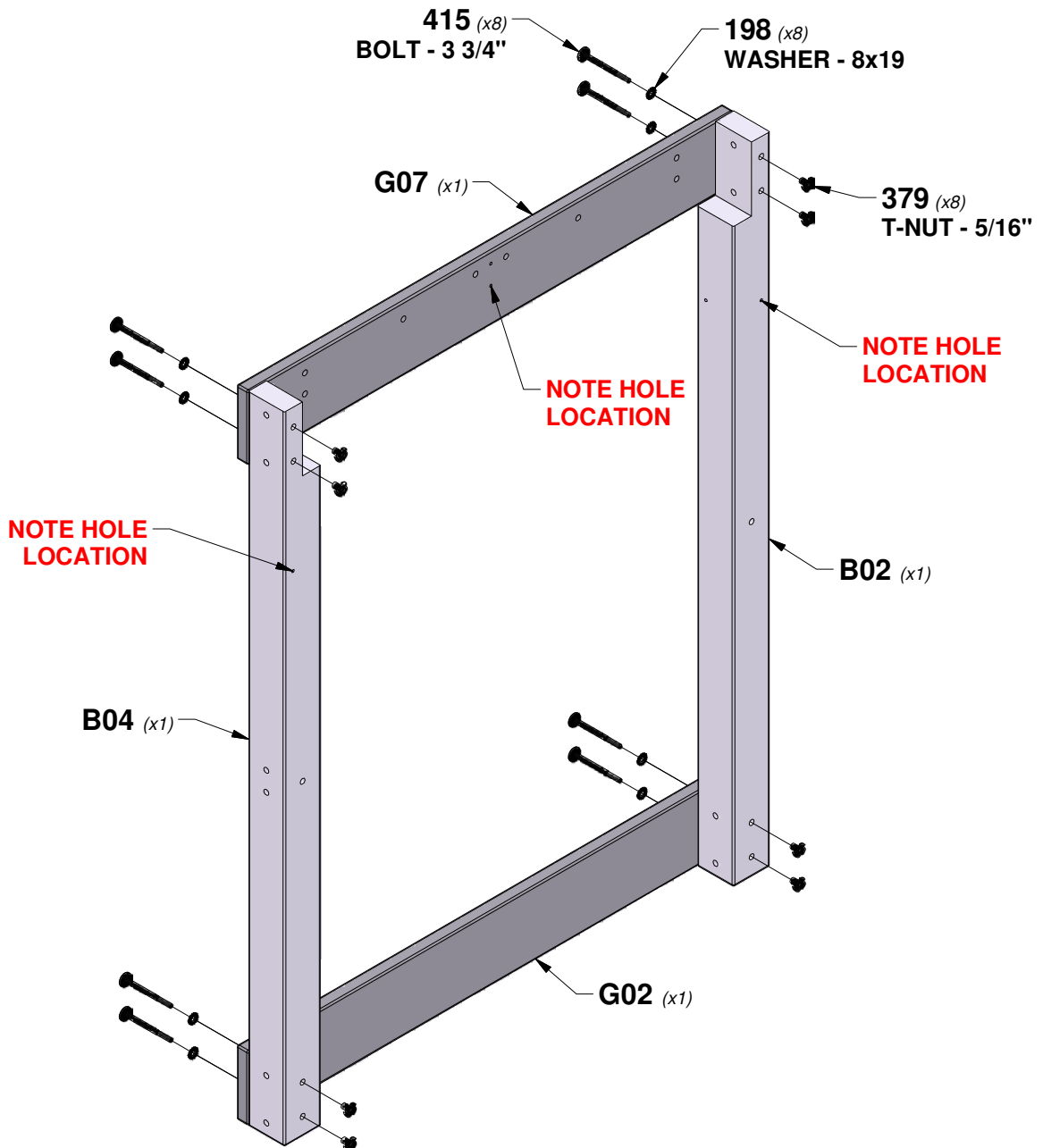


**G02 GROUND BOARD - W4L18937**  
(x1) 1"x5 1/4"x40" (24x134x1017)



**G07 FLOOR RAIL - W4L18953**  
(x1) 1"x5 1/4"x40" (24x134x1017)

**TIP:**  
INSTALL T-NUTS IN WOOD FIRST



# STEP 3 - FORT ASSEMBLY

QTY	PART NUMBER	DESCRIPTION
8	H100198	WASHER LOCK EXT 8x19 BLK
8	H100379	T-NUT 5/16 BLK
8	H100415	BOLT WH 5/16x3 3/4 BLK

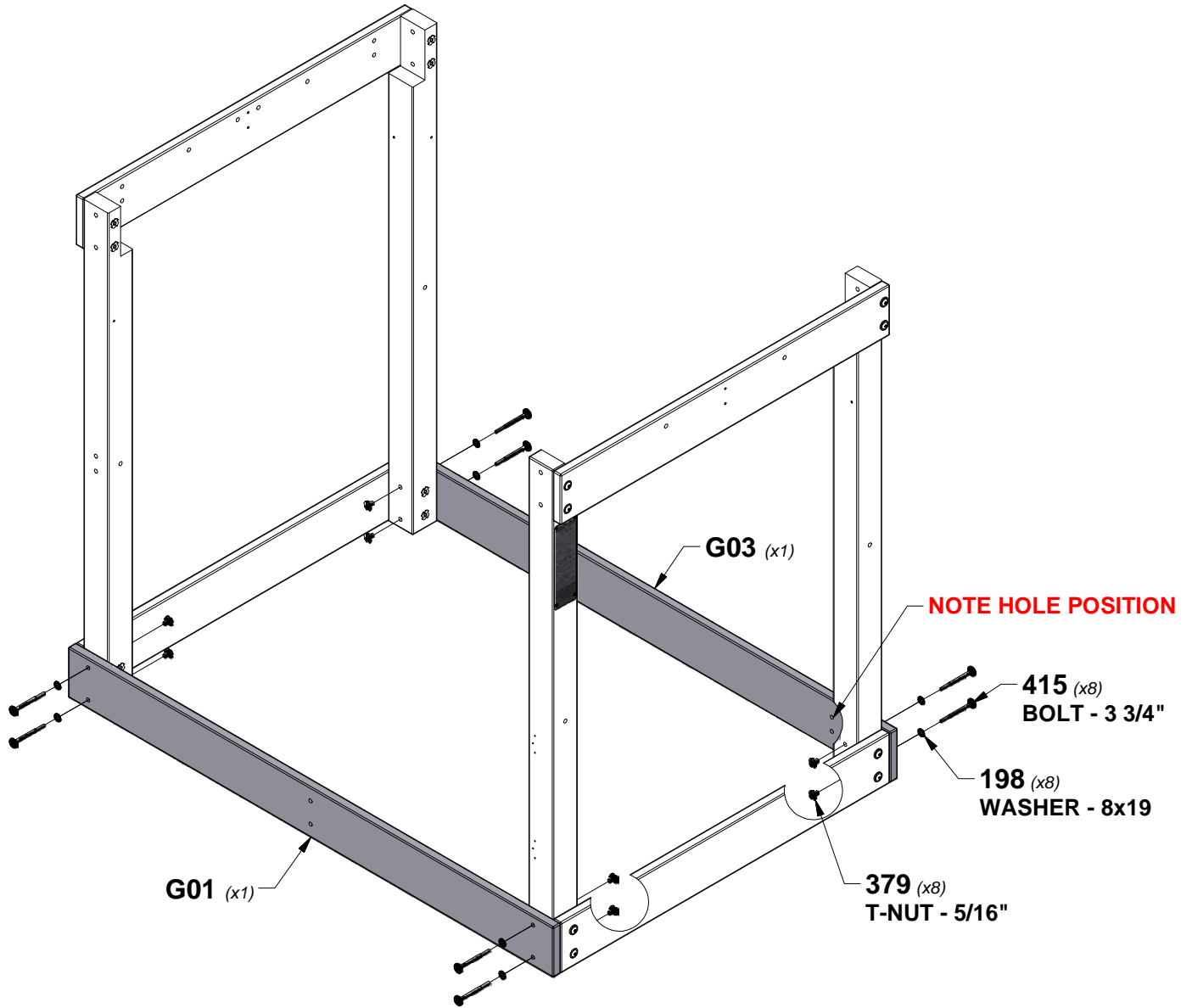


**G01 GROUND BOARD - W4L18936**  
(x1) 1"x5 1/4"x59" (24x134x1498)



**G03 GROUND BOARD - W4L18996**  
(x1) 1"x5 1/4"x59" (24x134x1498)

**TIP:**  
**INSTALL T-NUTS IN WOOD FIRST**



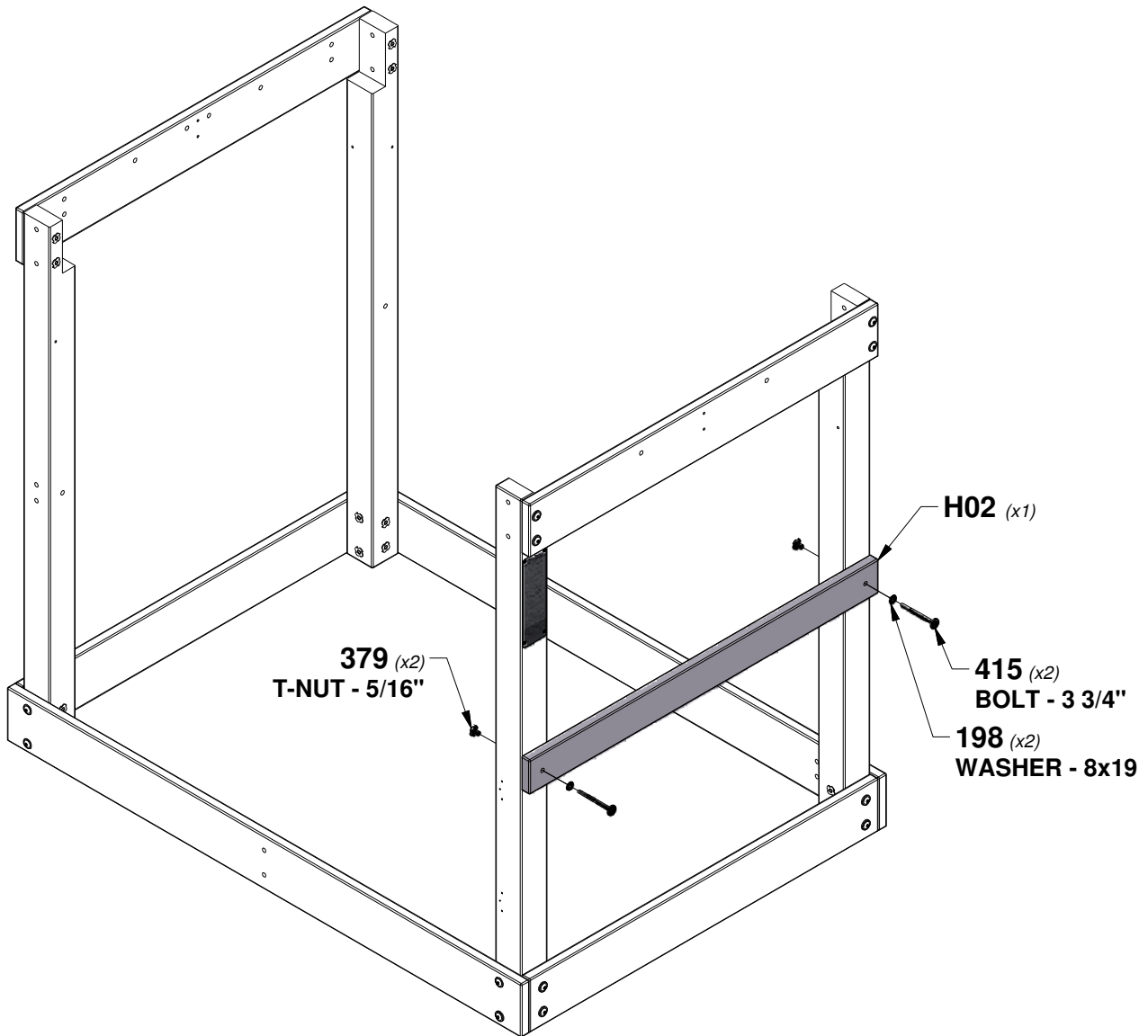
# STEP 4 - FORT ASSEMBLY

QTY	PART NUMBER	DESCRIPTION
2	H100198	WASHER LOCK EXT 8x19 BLK
2	H100379	T-NUT 5/16 BLK
2	H100415	BOLT WH 5/16x3 3/4 BLK



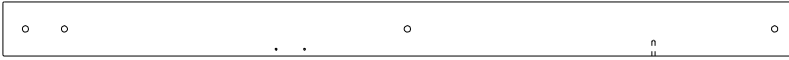
**H02 WALL RAIL - W4L18940**  
(x1) 1"x3 3/8"x40" (24x86x1017)

**TIP:**  
**INSTALL T-NUTS IN WOOD FIRST**



# STEP 5 - FORT ASSEMBLY

QTY	PART NUMBER	DESCRIPTION
7	H100198	WASHER LOCK EXT 8x19 BLK
3	H100205	BOLT WH 5/16x2 1/4 BLK
7	H100379	T-NUT 5/16 BLK
4	H100415	BOLT WH 5/16x3 3/4 BLK



**E05 WALL UPRIGHT - W4L18941**  
*(x1) 1 3/8"x3 3/8"x49 1/2" (36x86x1256)*

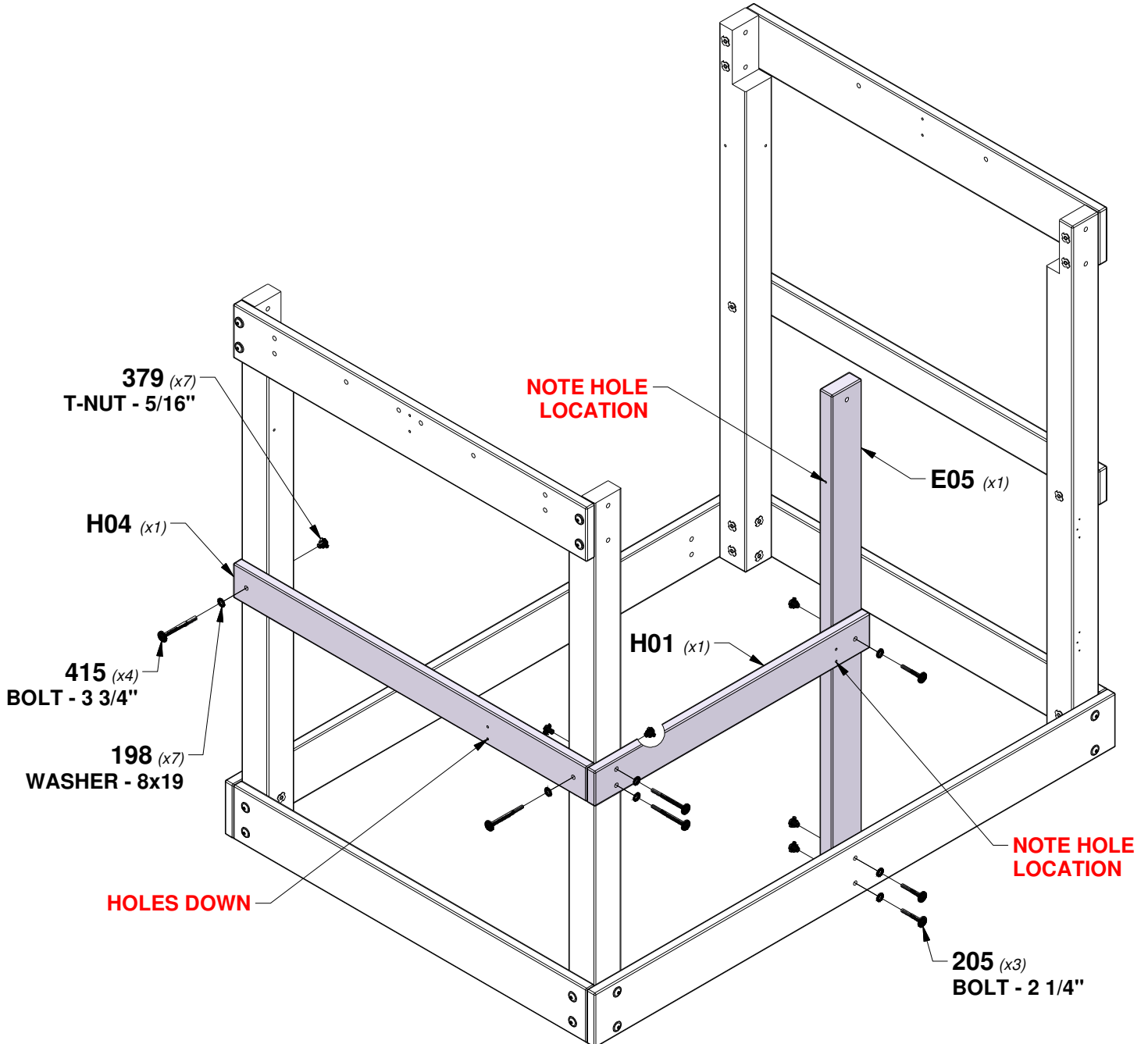


**H01 COUNTERTOP RAIL - W4L18939**  
*(x1) 1"x3 3/8"x31 1/8" (24x86x792)*



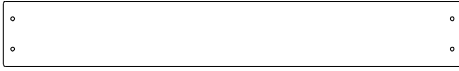
**H04 WALL RAIL - W4L18942**  
*(x1) 1"x3 3/8"x40" (24x86x1017)*

**TIP:**  
**INSTALL T-NUTS IN WOOD FIRST**

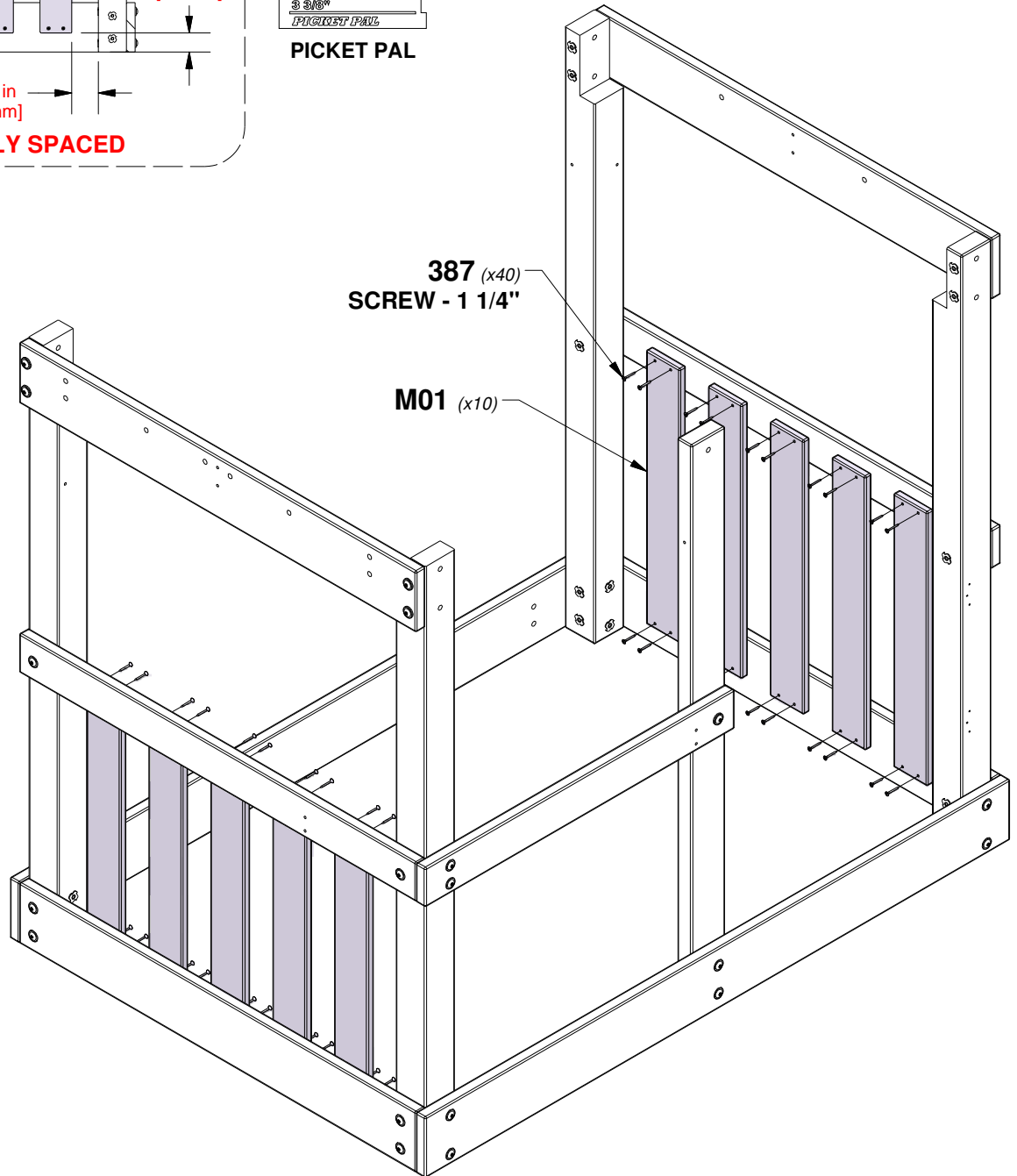
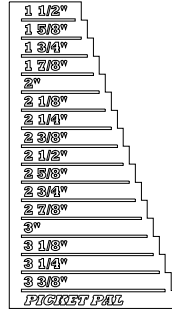
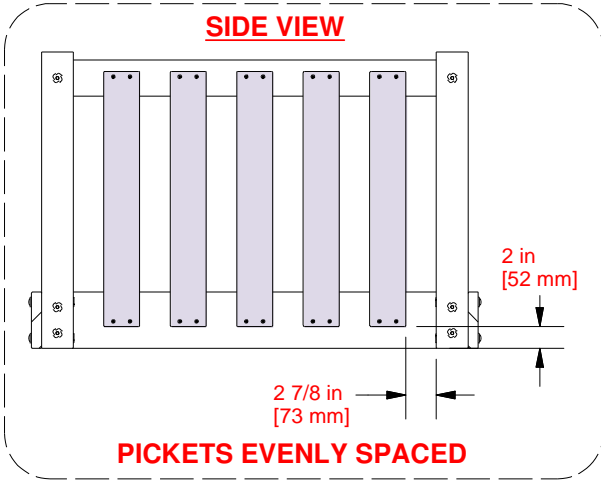


# STEP 6 - FORT ASSEMBLY

QTY	PART NUMBER	DESCRIPTION
40	H100387	SCREW PFH 8x1 1/4 BLK



**M01 PICKET - W4L18946**  
 (x10) 5/8"x3 3/8"x23 7/8" (16x86x606)

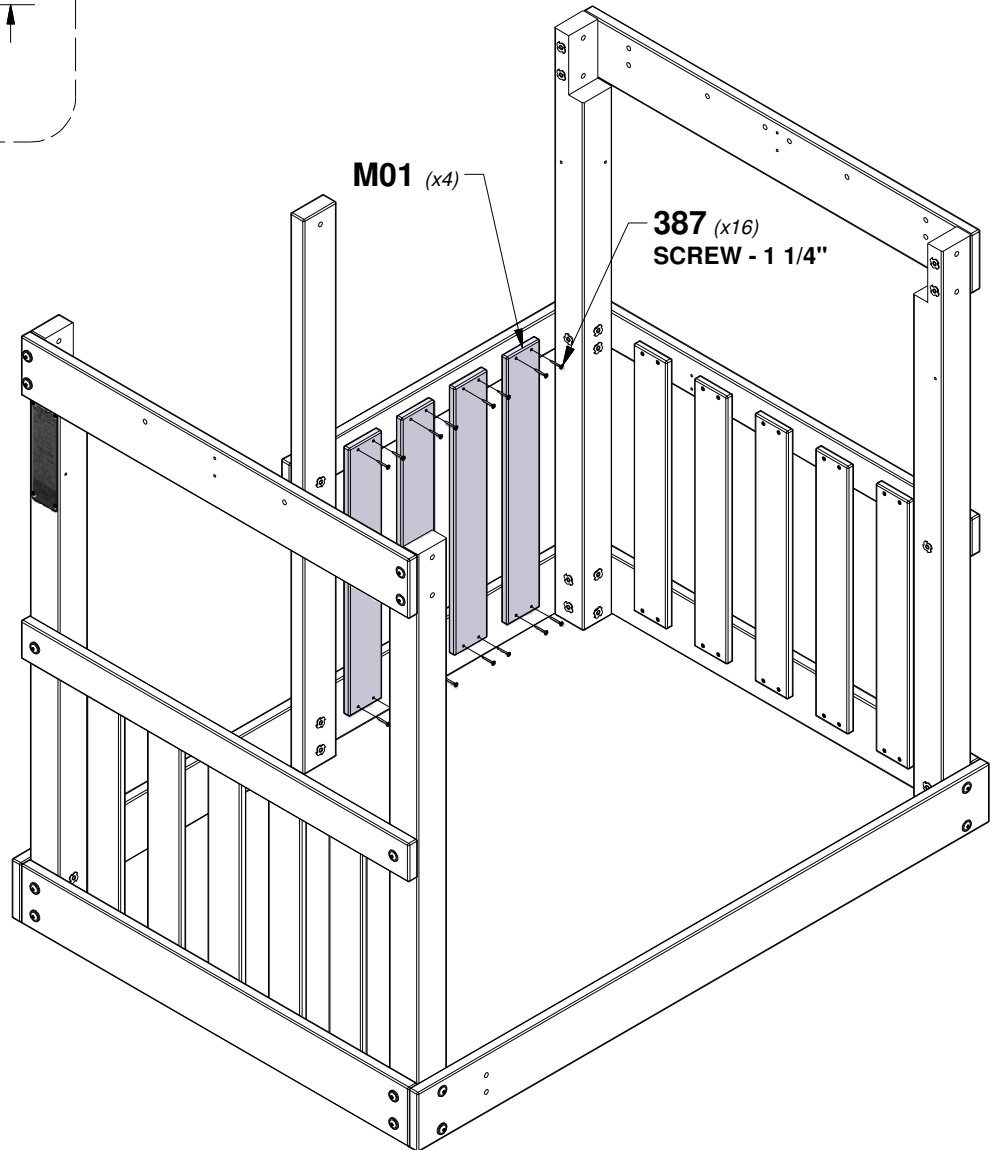
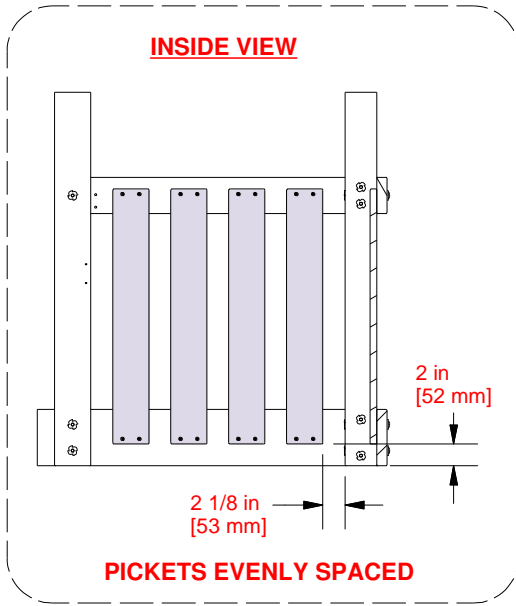


# STEP 7 - FORT ASSEMBLY

QTY	PART NUMBER	DESCRIPTION
16	H100387	SCREW PFH 8x1 1/4 BLK



**M01 PICKET - W4L18946**  
(x4) 5/8"x3 3/8"x23 7/8" (16x86x606)



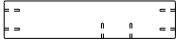


# STEP 8 - FORT ASSEMBLY

QTY	PART NUMBER	DESCRIPTION
10	H100391	SCREW PFH 8x2 BLK
4	H100797	SCREW PWH 8x1 BLK



**J01 COUNTERTOP RAIL - W4L18943**  
(x1) 1"x2 3/8"x26 7/8" (24x60x682)



**J02 COUNTERTOP RAIL - W4L18944**  
(x1) 1"x2 3/8"x10 3/4" (24x60x272)

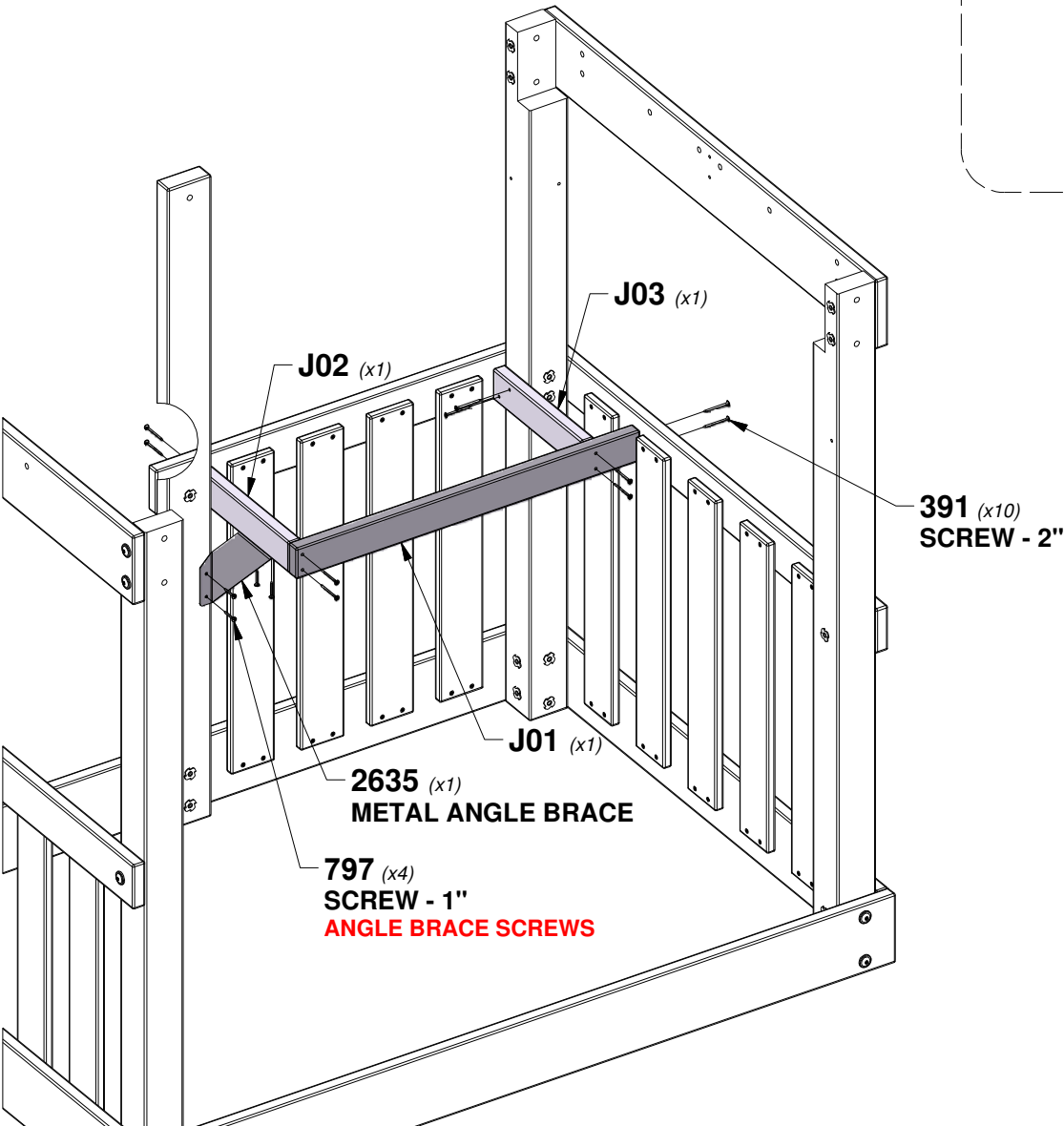
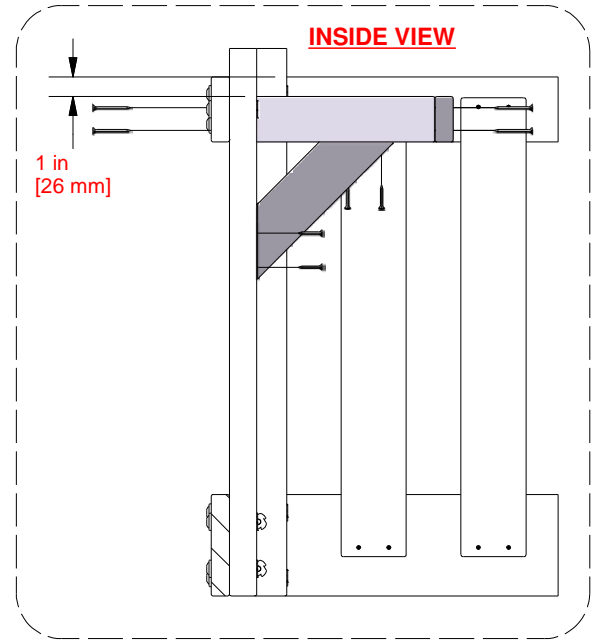


**J03 COUNTERTOP RAIL - W4L18945**  
(x1) 1"x2 3/8"x10 3/4" (24x60x272)



**A4M02635 METAL ANGLE BRACE**  
(x1)

**TIP:**  
**ALIGN PILOT HOLES**

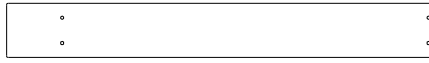


# STEP 9 - FORT ASSEMBLY

QTY	PART NUMBER	DESCRIPTION
12	H100200	SCREW PFH 8x1 1/2 BLK



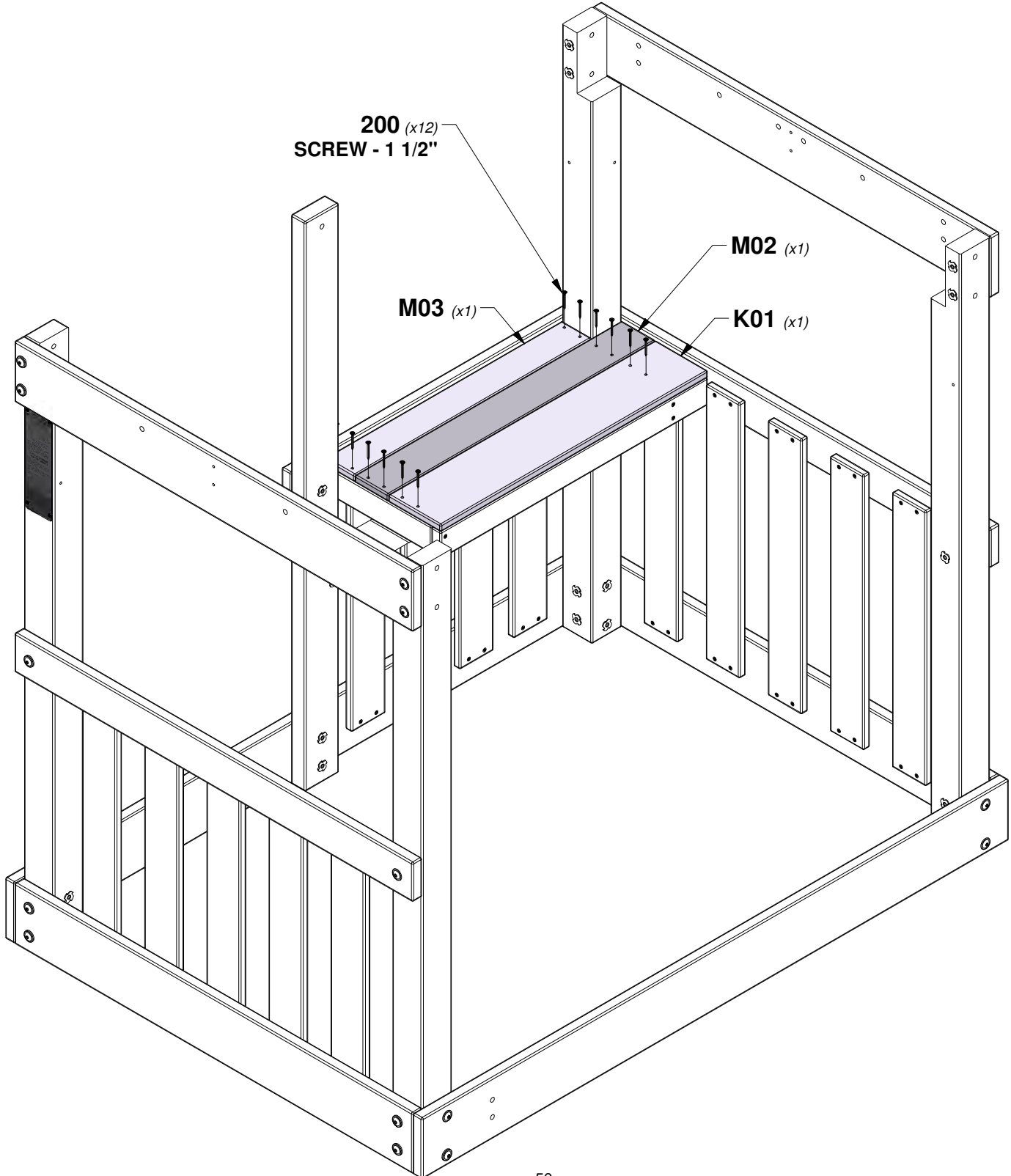
**K01 COUNTERTOP BOARD - W4L18949**  
(x1) 5/8"x5 1/4"x26 7/8" (16x134x682)



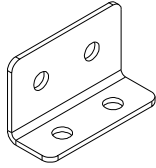
**M02 COUNTERTOP BOARD - W4L18947**  
(x1) 5/8"x3 3/8"x26 7/8" (16x86x682)



**M03 COUNTERTOP BOARD - W4L18948**  
(x1) 5/8"x3"x23 7/8" (16x76x605)

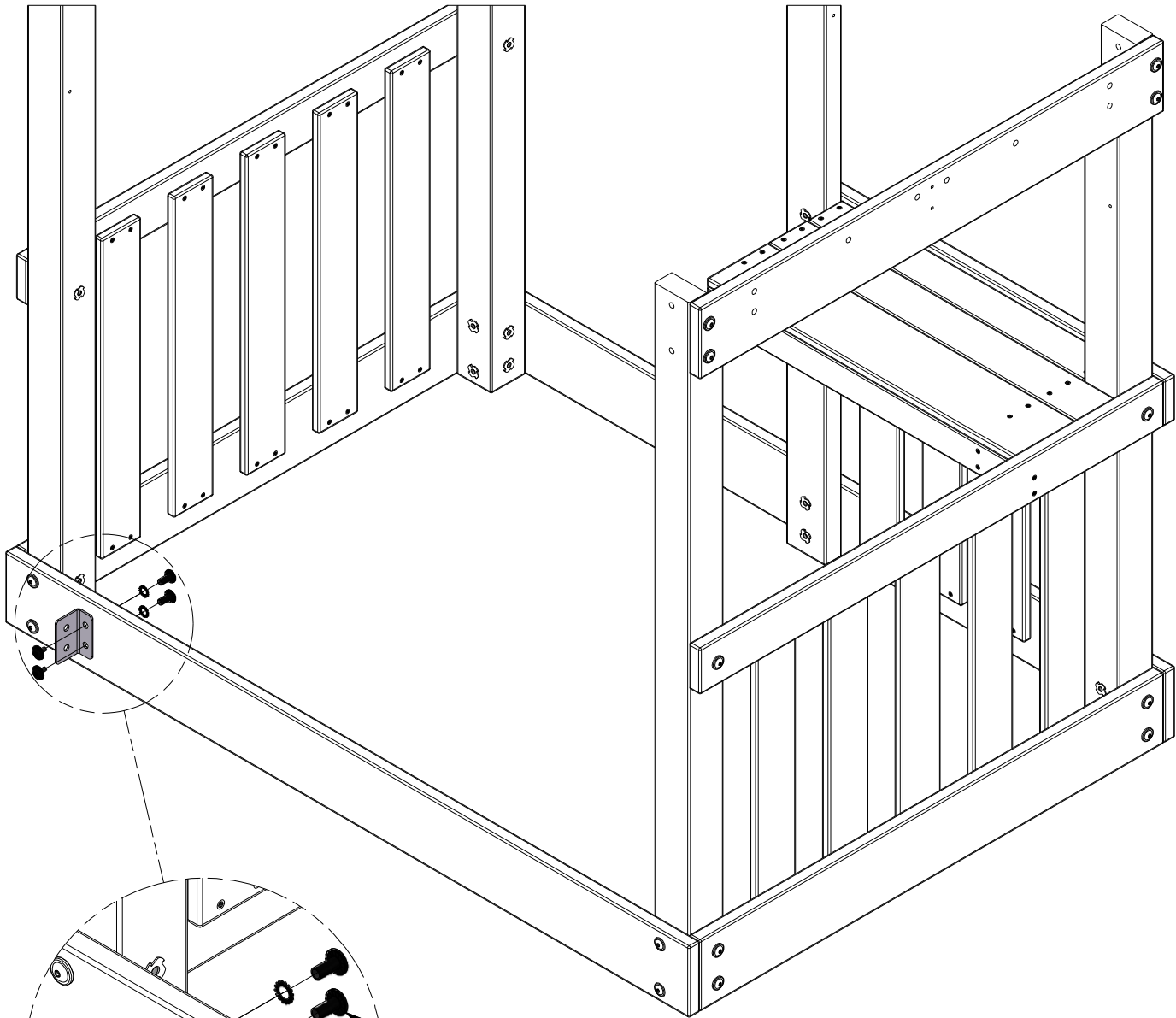


# STEP 10 - FORT ASSEMBLY



**A4M00855 L BRACKET**  
(x1) 32x51x82

QTY	PART NUMBER	DESCRIPTION
2	H100192	NUT BARREL WH 5/16x7/8 BLK
2	H100199	WASHER LOCK EXT 12x19 BLK
2	H100396	BOLT WH 5/16x1/2 BLK



**192 (x2)**  
**NUT BARREL - 7/8"**

**199 (x2)**  
**WASHER - 12x19**

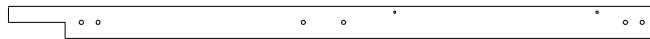
**396 (x2)**  
**BOLT - 1/2"**

**855 (x1)**  
**L BRACKET 32x51x82**

# STEP 11 - FORT ASSEMBLY



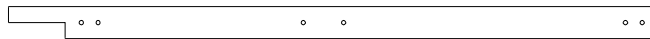
**B05 POST - W4L18960**  
(x1) 3"x3"x60 3/8" (76x76x1532)



**B06 POST - W4L18961**  
(x1) 3"x3"x60 3/8" (76x76x1532)



**B07 POST - W4L18962**  
(x1) 3"x3"x60 3/8" (76x76x1532)

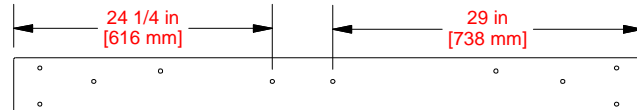


**B08 POST - W4L18963**  
(x1) 3"x3"x60 3/8" (76x76x1532)

QTY	PART NUMBER	DESCRIPTION
9	H100198	WASHER LOCK EXT 8x19 BLK
1	H100205	BOLT WH 5/16x2-1/4 BLK
9	H100379	T-NUT 5/16 BLK
8	H100415	BOLT WH 5/16x3 3/4 BLK

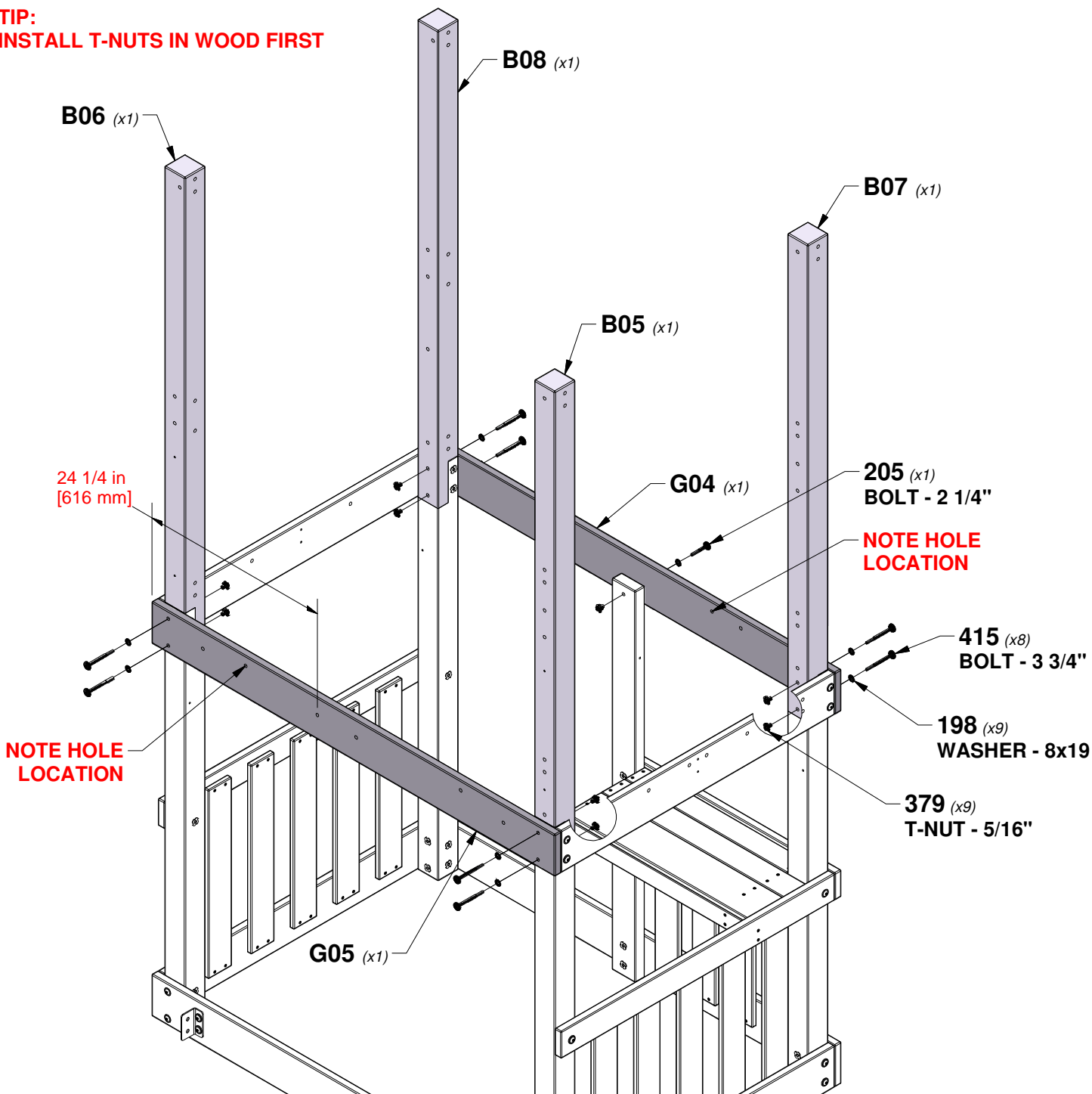


**G04 FLOOR RAIL - W4L18950**  
(x1) 1"x5 1/4"x59" (24x134x1498)



**G05 FLOOR RAIL - W4L18951**  
(x1) 1"x5 1/4"x59" (24x134x1498)

**TIP:**  
INSTALL T-NUTS IN WOOD FIRST



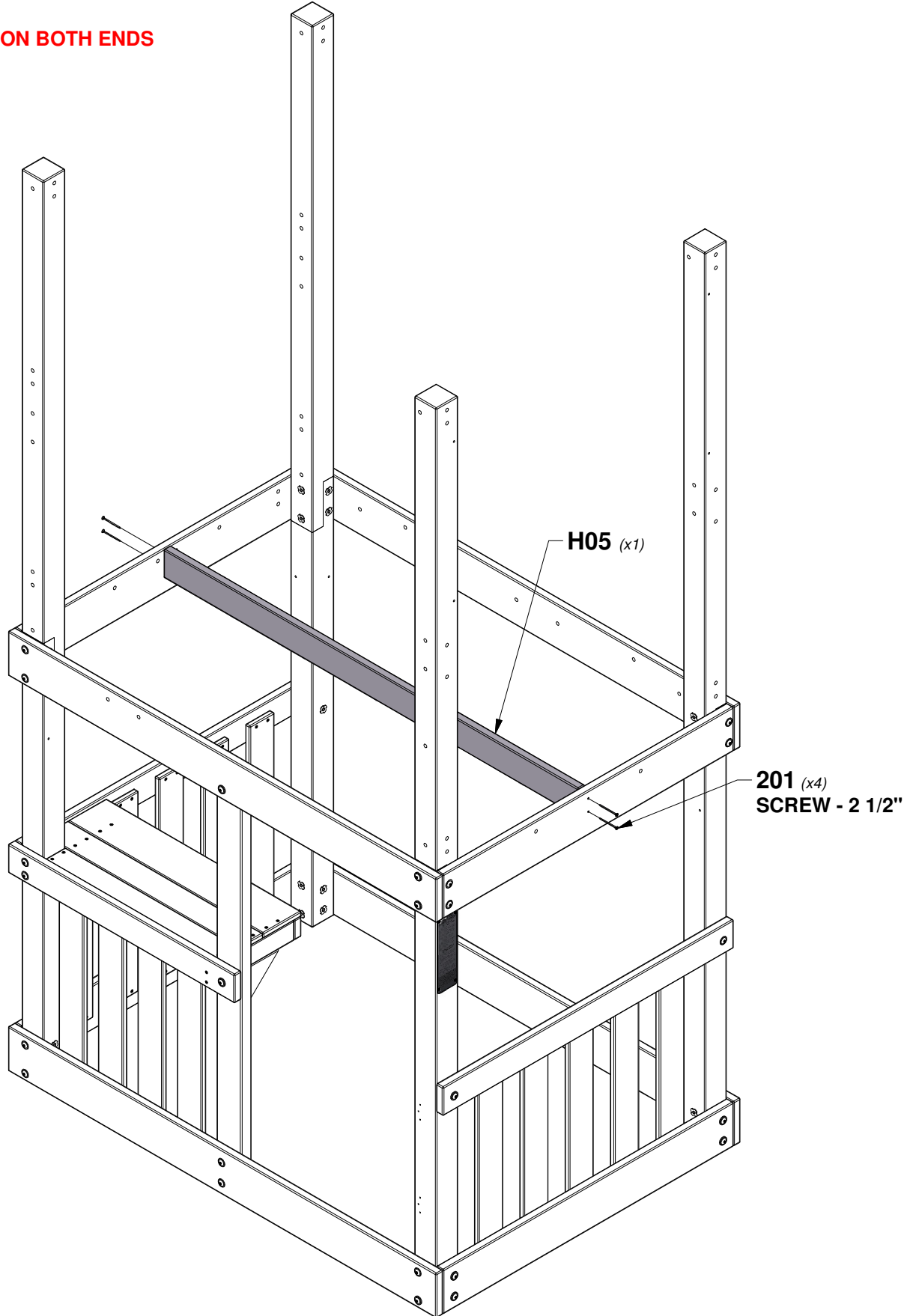
# STEP 12 - FORT ASSEMBLY

QTY	PART NUMBER	DESCRIPTION
4	H100201	SCREW PFH 8x2 1/2 BLK



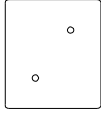
**H05 FLOOR JOIST - W4L18954**  
(x1) 1"x3 3/8"x57 1/8" (24x86x1450)

**TIP:**  
**ALIGN PILOT HOLES ON BOTH ENDS**

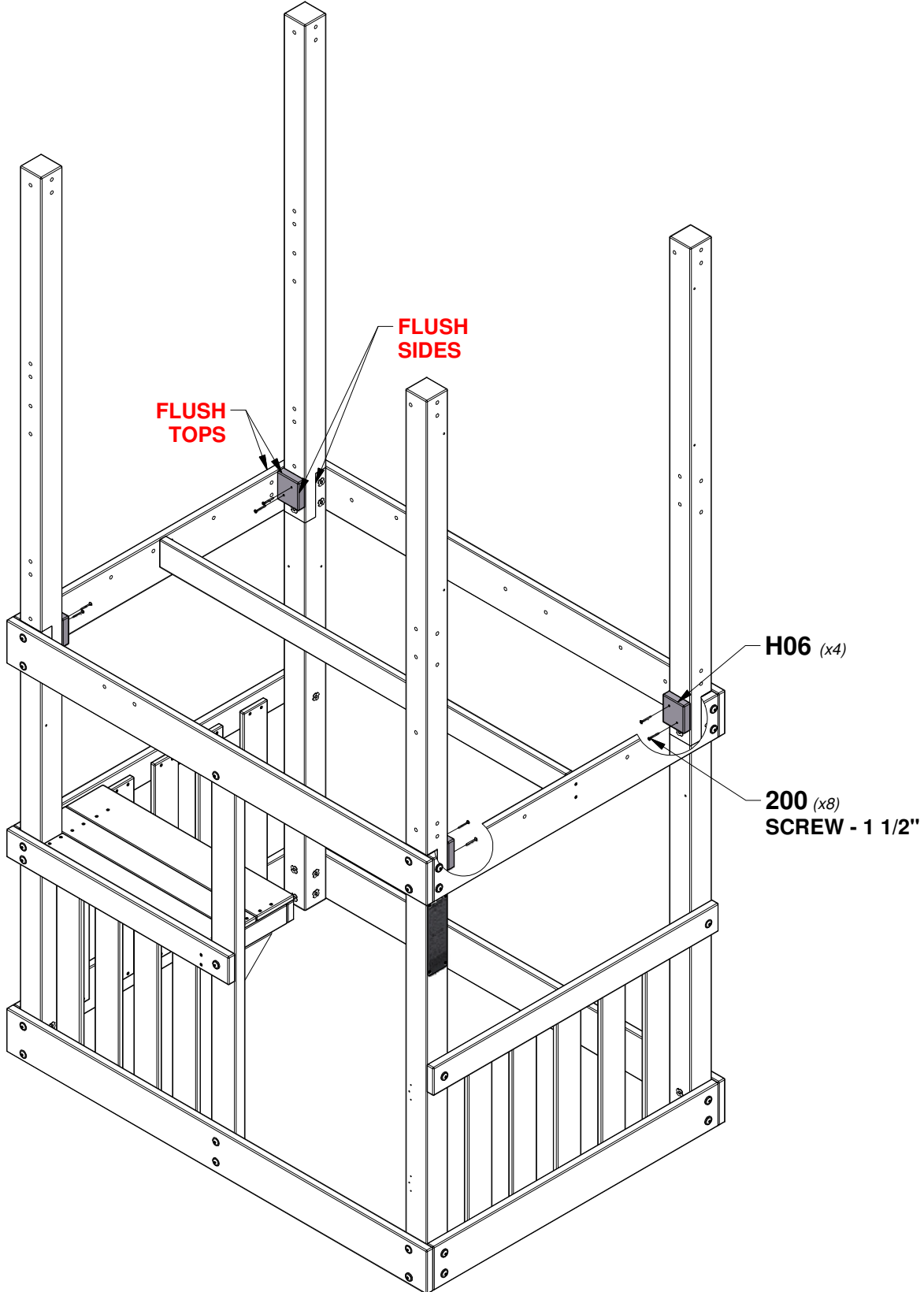


# STEP 13 - FORT ASSEMBLY

QTY	PART NUMBER	DESCRIPTION
8	H100200	SCREW PFH 8x1 1/2 BLK



**H06 FLOOR BLOCK - W4L18955**  
(x4) 1"x3"x3 3/8" (24x76x86)



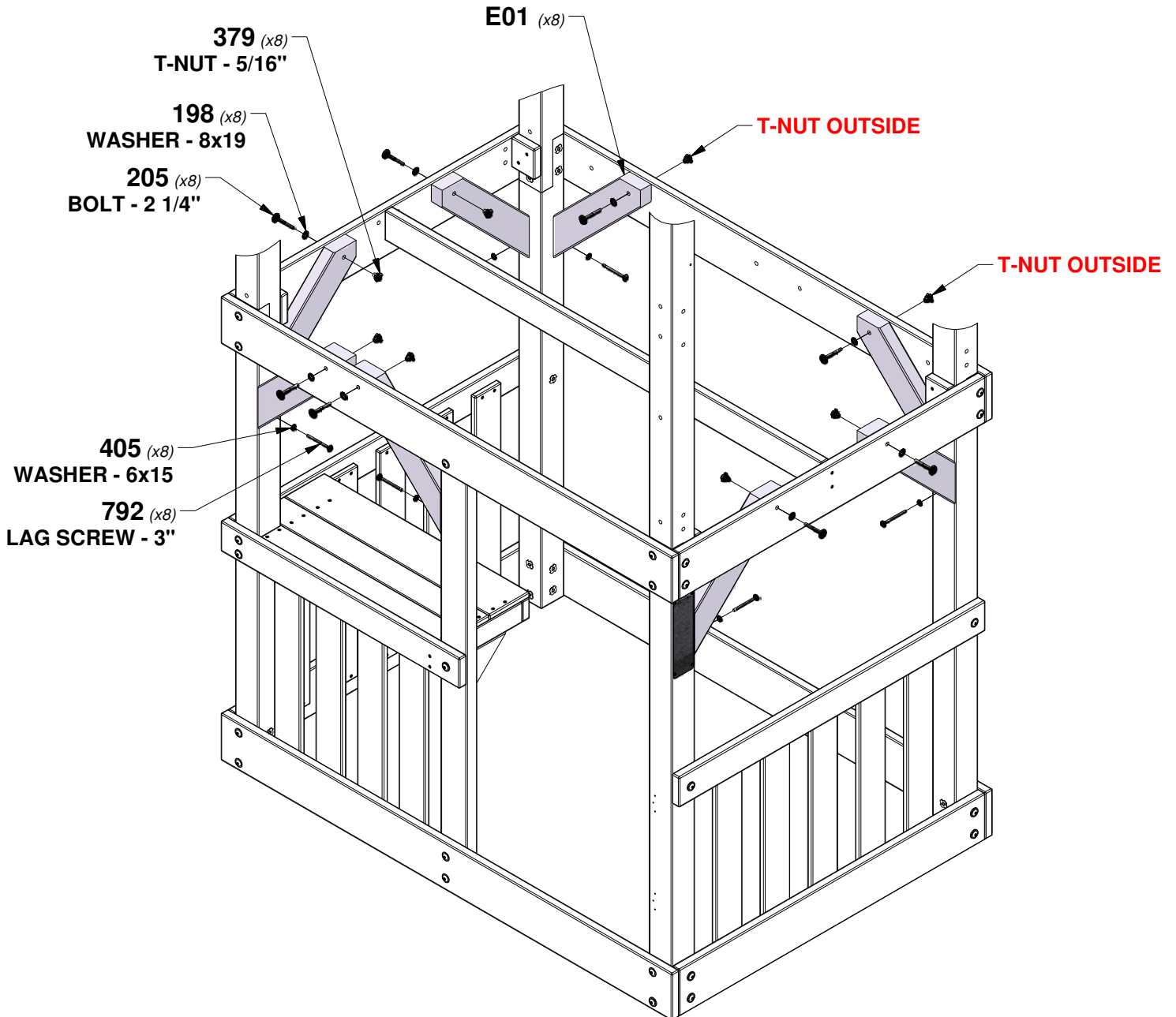
# STEP 14 - FORT ASSEMBLY



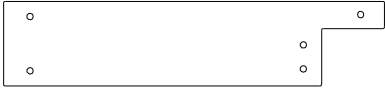
**E01 ANGLE BRACE - W4L18956**  
 (x8) 1 7/16"x3 3/8"x17 1/2" (36x86x444)

QTY	PART NUMBER	DESCRIPTION
8	H100198	WASHER LOCK EXT 8x19 BLK
8	H100205	BOLT WH 5/16x2 1/4 BLK
8	H100379	T-NUT 5/16 BLK
8	H100405	WASHER LOCK EXT 6x15 BLK
8	H100792	LAG SCREW WH 1/4x3 BLK

**TIP:**  
**INSTALL T-NUTS IN WOOD FIRST**



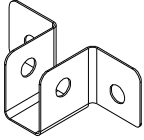
# STEP 15 - FORT ASSEMBLY



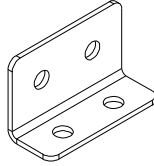
**G10 FLOOR RAIL - W4L18938**  
(x2) 1"x5 1/4"x23 7/8" (24x134x605)



**H20 FLOOR JOIST - W4L18985**  
(x1) 1"x3 3/8"x21 7/8" (24x86x557)



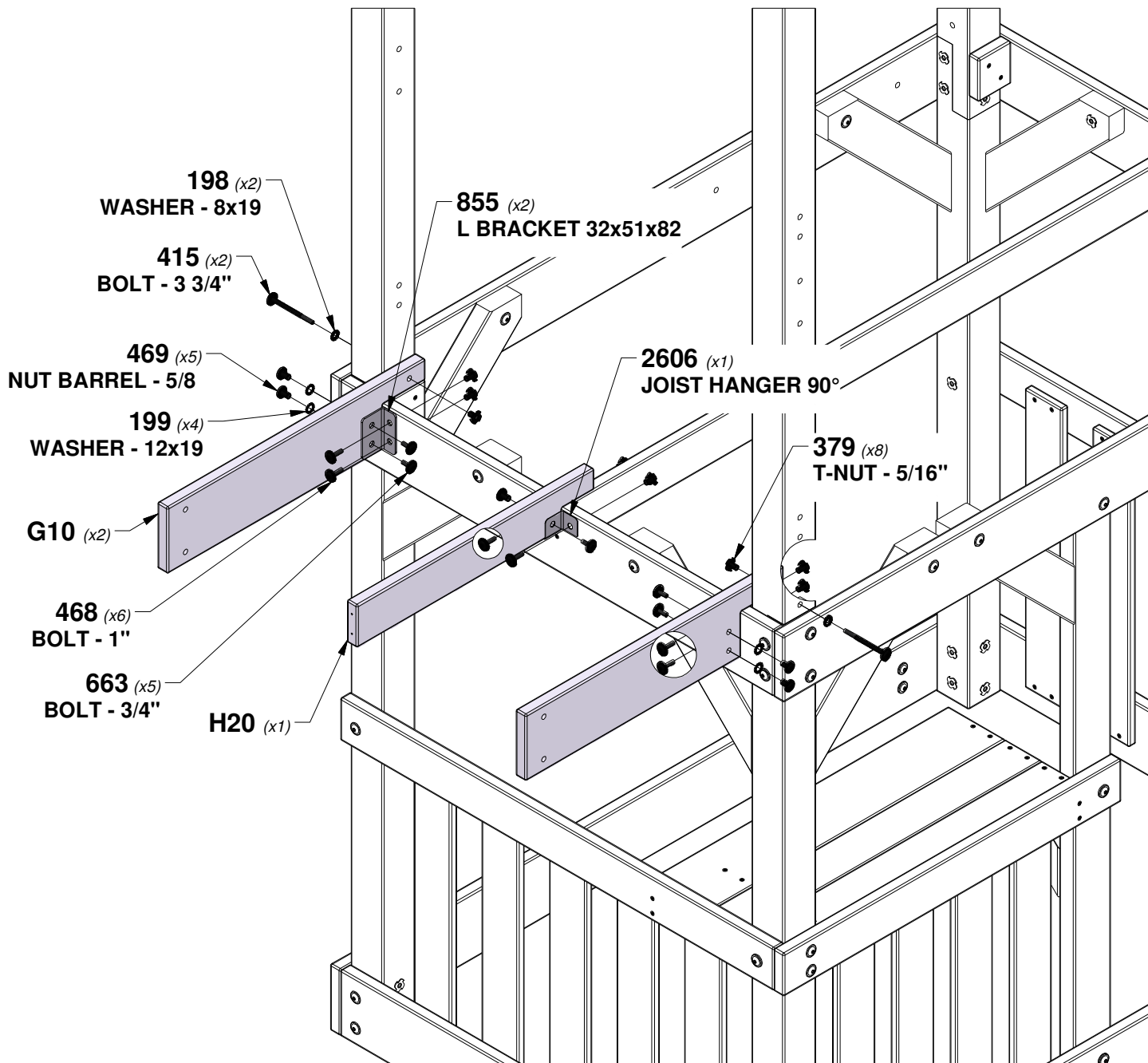
**A4M02606 JOIST HANGER 90°**  
(x1)



**A4M00855 L BRACKET**  
(x2) 32x51x82

QTY	PART NUMBER	DESCRIPTION
2	H100198	WASHER LOCK EXT 8x19 BLK
4	H100199	WASHER LOCK EXT 12x19 BLK
8	H100379	T-NUT 5/16 BLK
2	H100415	BOLT WH 5/16x3 3/4 BLK
6	H100468	BOLT WH 5/16x1 BLK
5	H100469	NUT BARREL WH 5/16x5/8 BLK
5	H100663	BOLT WH 5/16x3/4 BLK

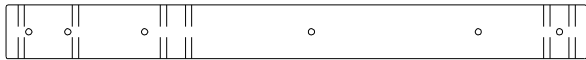
**TIP:**  
INSTALL T-NUTS IN WOOD FIRST



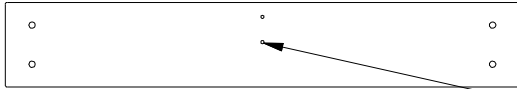


# STEP 16 - FORT ASSEMBLY

QTY	PART NUMBER	DESCRIPTION
8	H100198	WASHER LOCK EXT 8x19 BLK
2	H100201	SCREW PFH 8x2-1/2 BLK
4	H100205	BOLT WH 5/16x2-1/4 BLK
8	H100379	T-NUT 5/16 BLK
4	H100513	BOLT WH 5/16x4 1/4 BLK



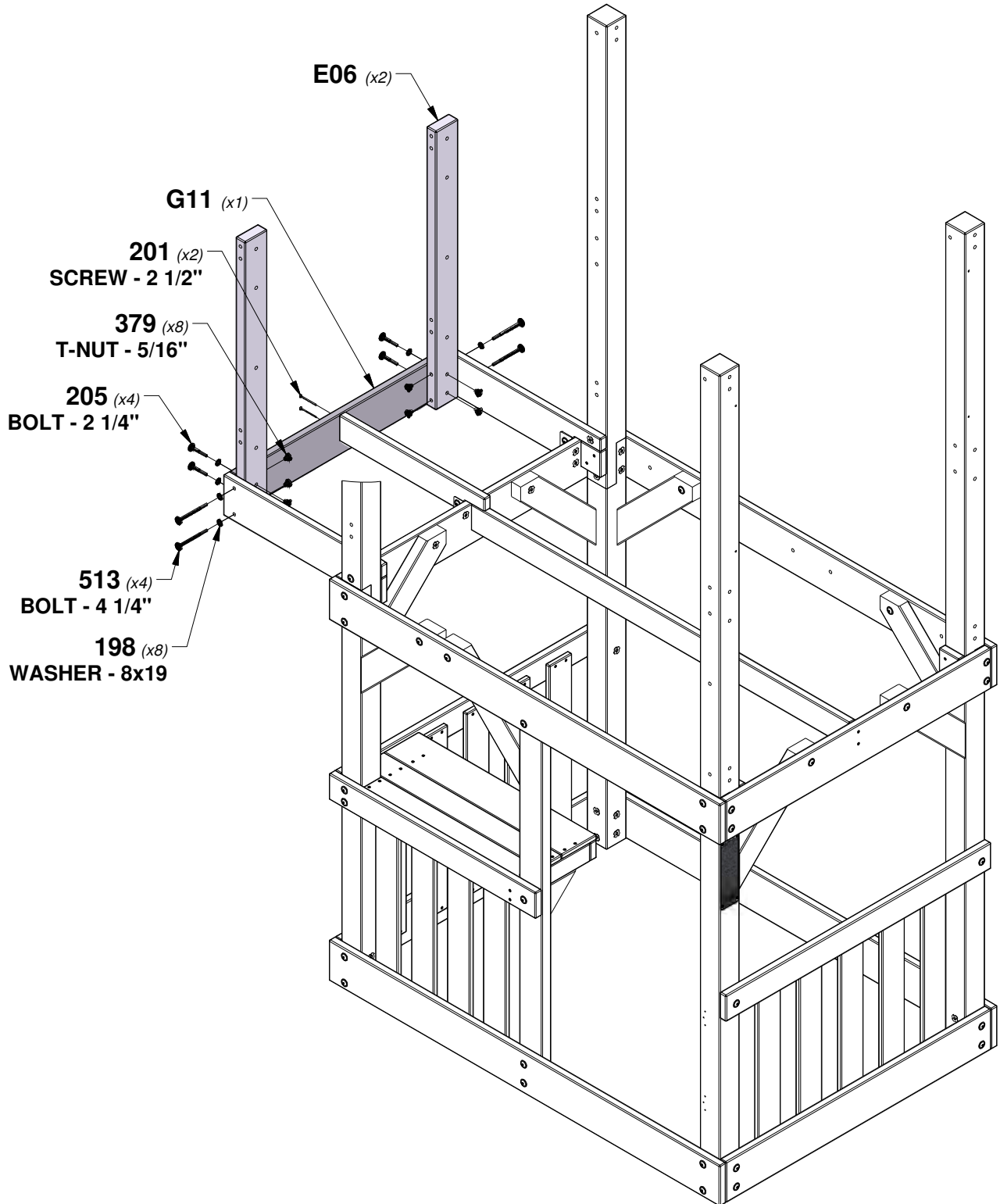
**E06 UPRIGHT - W4L18995**  
(x2) 1 3/8"x3 3/8"x36 1/4" (36x85x922)



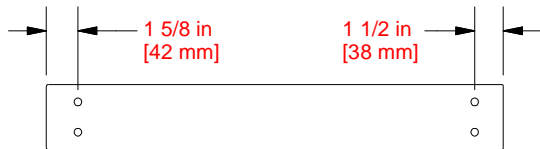
**G11 FLOOR RAIL - W4L18972**  
(x1) 1"x5 1/4"x32 1/8" (24x134x817)

**HOLES UPWARD WHEN INSTALLED**

**TIP:**  
**INSTALL T-NUTS IN WOOD FIRST**



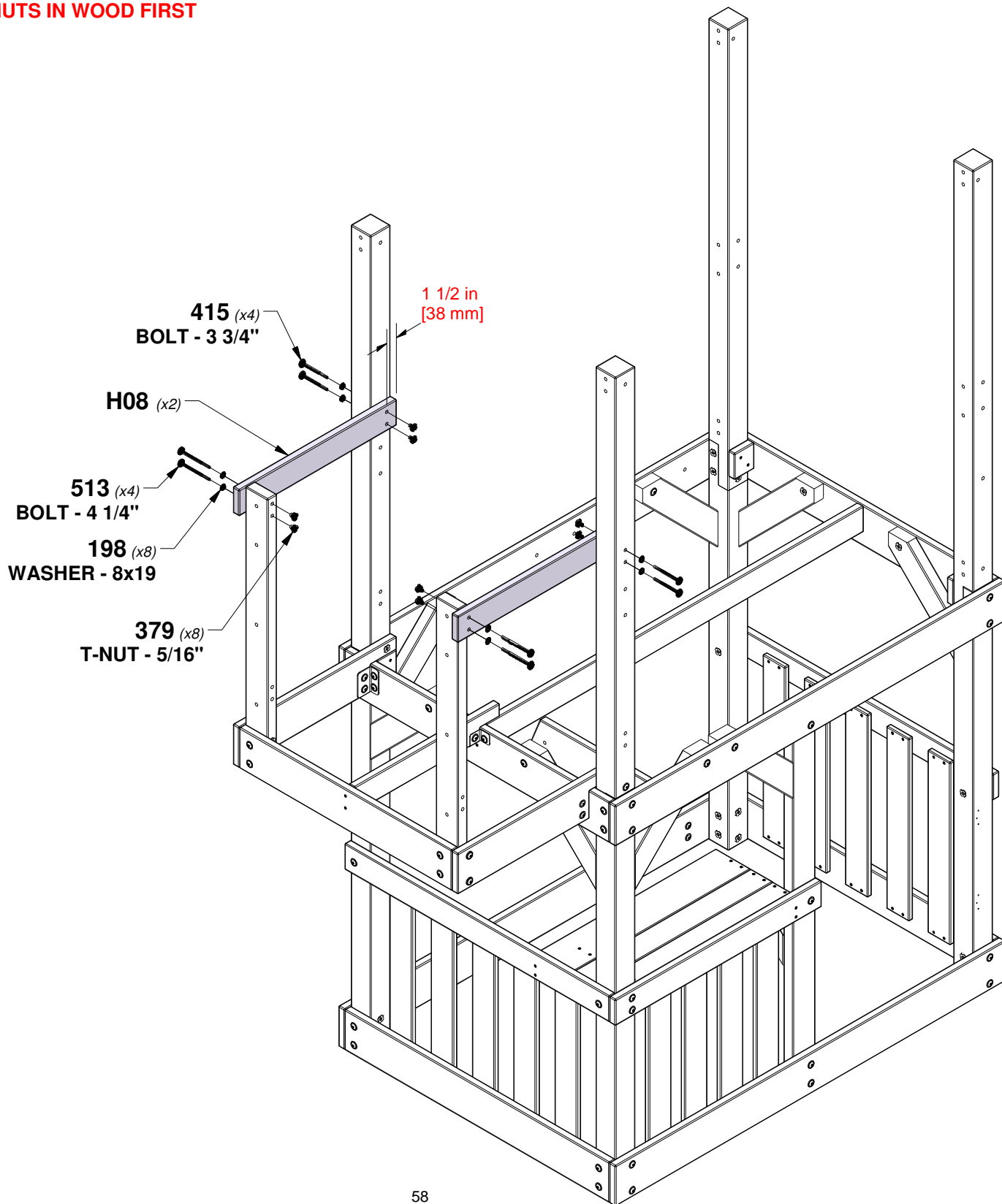
# STEP 17 - FORT ASSEMBLY



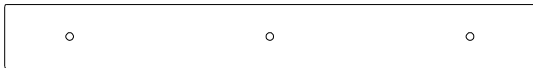
**H08 WALL RAIL - W4L18964**  
 (x2) 1"x3 3/8"x23 7/8" (24x86x605)

QTY	PART NUMBER	DESCRIPTION
8	H100198	WASHER LOCK EXT 8x19 BLK
8	H100379	T-NUT 5/16 BLK
4	H100415	BOLT WH 5/16x3 3/4 BLK
4	H100513	BOLT WH 5/16x4 1/4 BLK

**TIP:**  
**INSTALL T-NUTS IN WOOD FIRST**



# STEP 18 - FORT ASSEMBLY



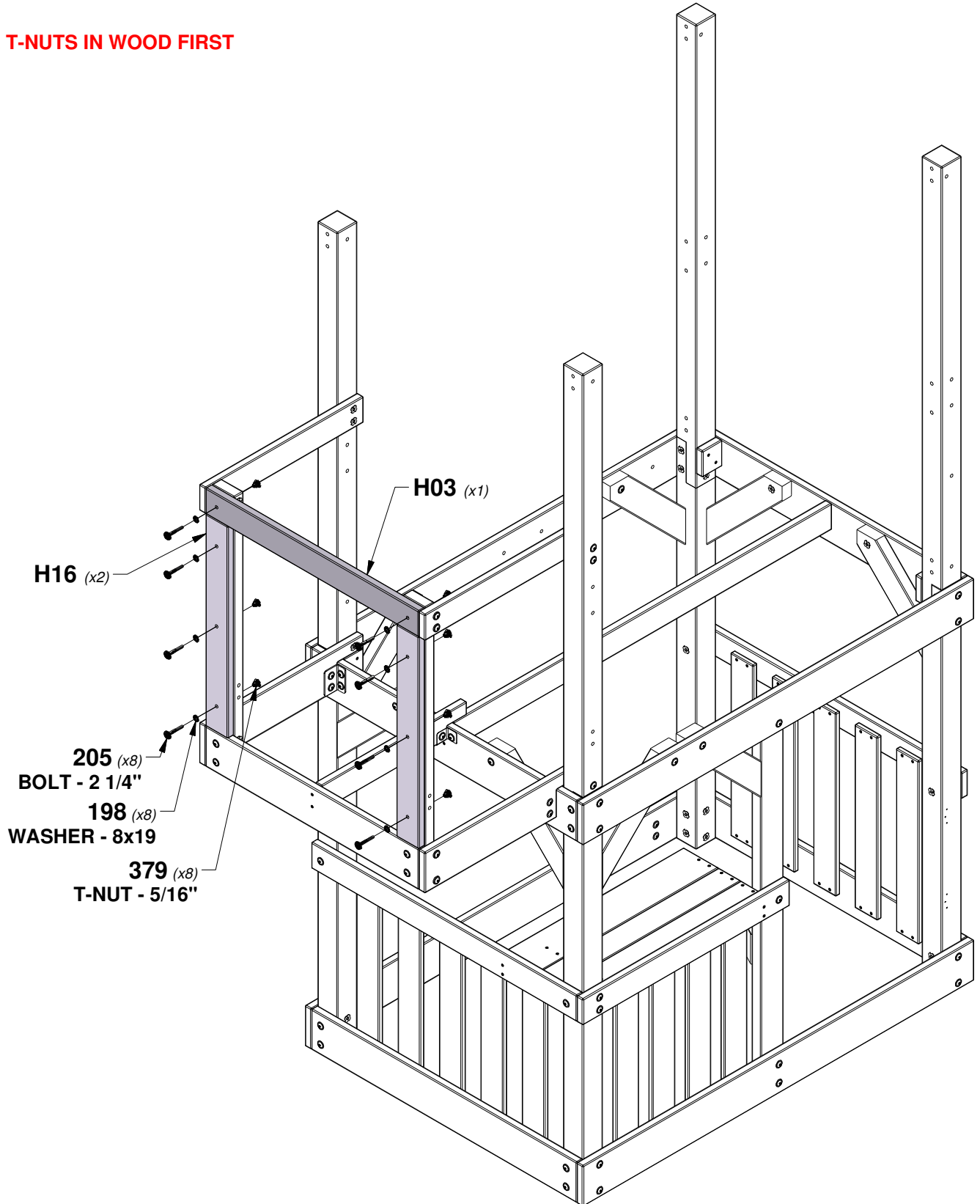
**H16 FILLER BOARD - W4L18931**  
*(x2) 1"x3 3/8"x27 5/8" (24x85x702)*



**H03 SLIDE RAIL - W4L18932**  
*(x1) 1"x3 3/8"x32 1/8" (24x86x817)*

QTY	PART NUMBER	DESCRIPTION
8	H100198	WASHER LOCK EXT 8x19 BLK
8	H100205	BOLT WH 5/16x2-1/4 BLK
8	H100379	T-NUT 5/16 BLK

**TIP:**  
**INSTALL T-NUTS IN WOOD FIRST**



# STEP 19 - FORT ASSEMBLY

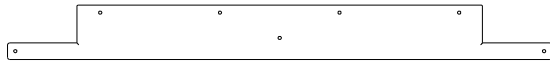
QTY	PART NUMBER	DESCRIPTION
42	H100200	SCREW PFH 8x1-1/2 BLK



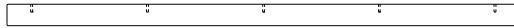
**M08 FLOOR BOARD - W4L18976**  
(x5) 5/8"x3 3/8"x34" (16x86x865)



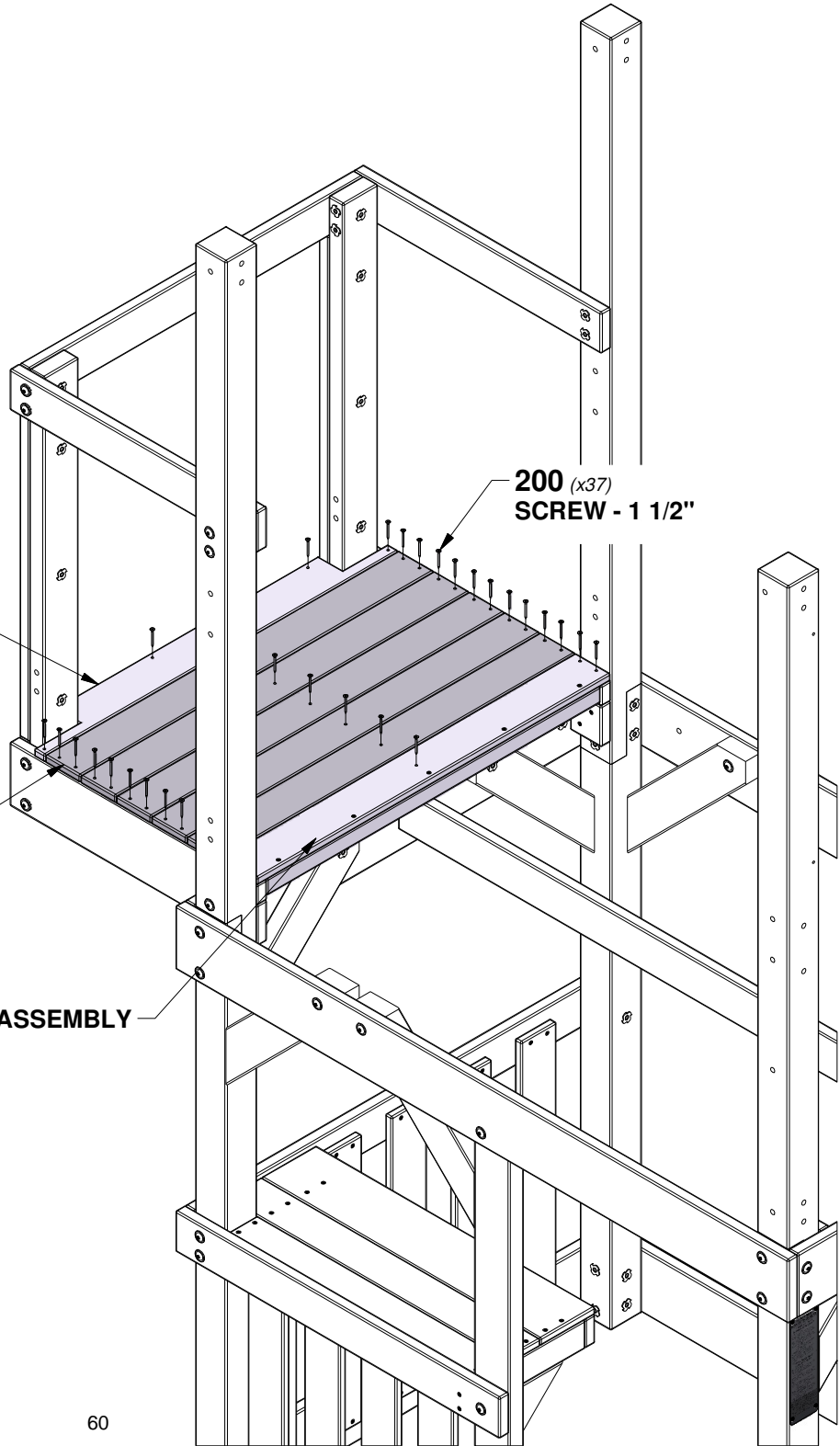
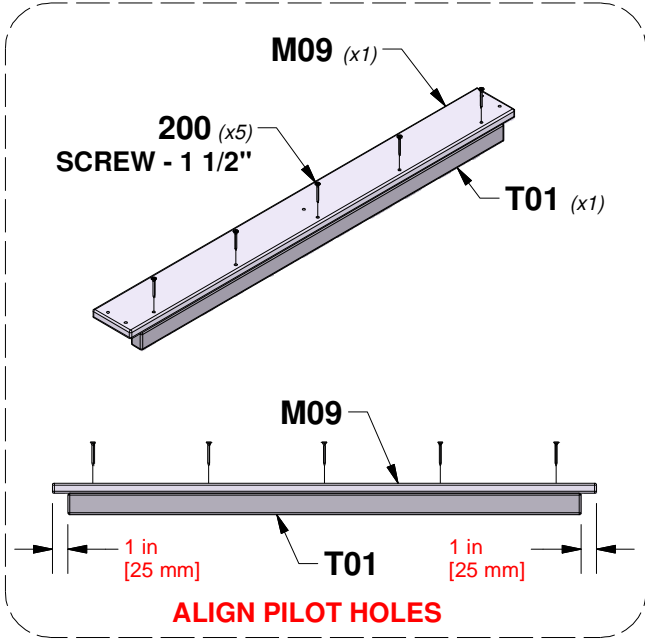
**M09 FLOOR BOARD - W4L18978**  
(x1) 5/8"x3 3/8"x34" (16x86x864)



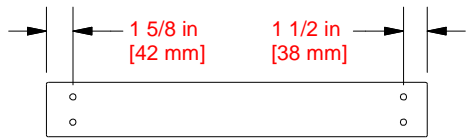
**M10 FLOOR BOARD - W4L18974**  
(x1) 5/8"x3 3/8"x34" (16x86x864)



**T01 FLOOR SUPPORT - W4L18977**  
(x1) 1 3/8"x1"x32 1/8" (34x24x815)



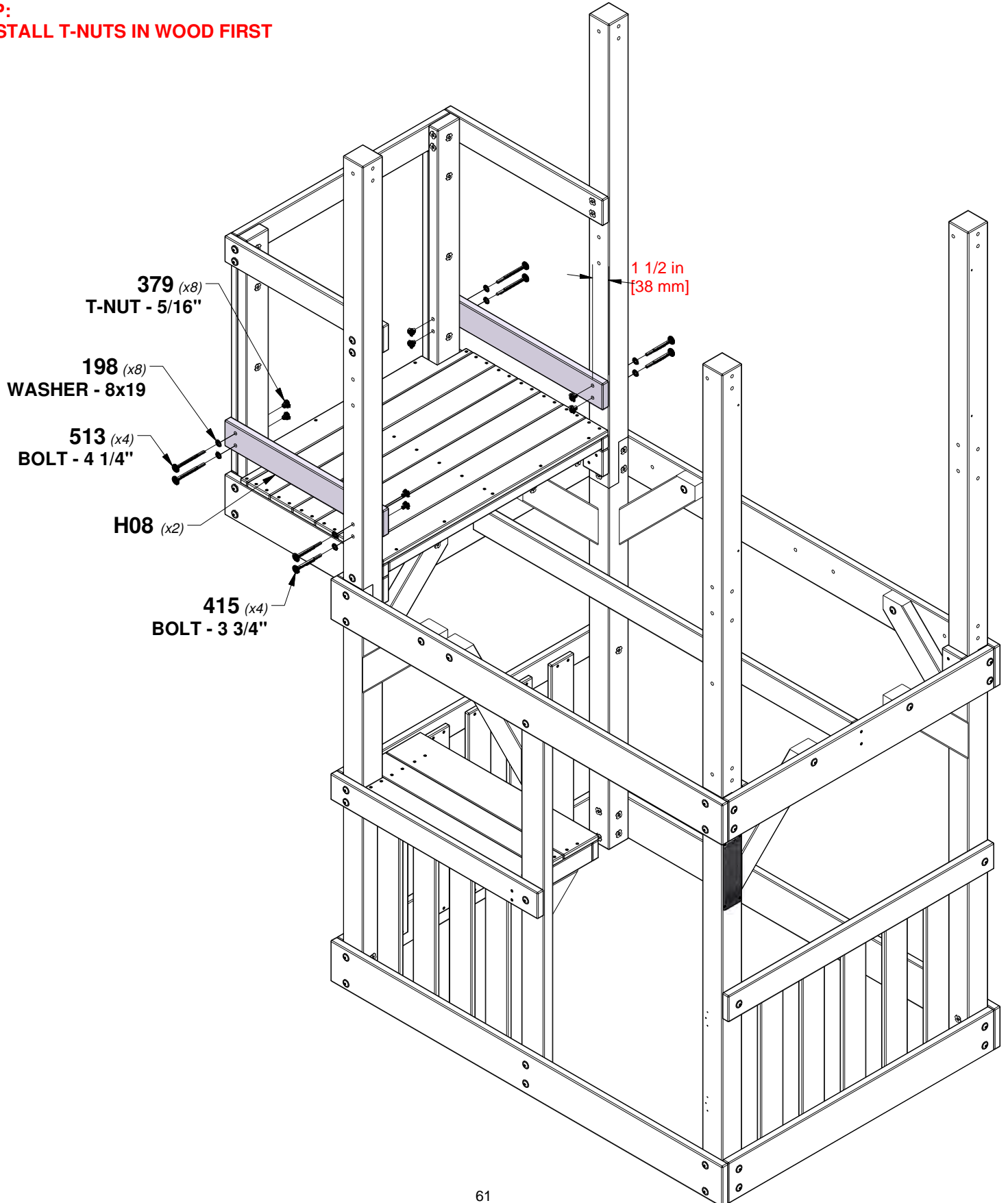
# STEP 20 - FORT ASSEMBLY



**H08 WALL RAIL - W4L18964**  
 (x2) 1"x3 3/8"x23 7/8" (24x86x605)

QTY	PART NUMBER	DESCRIPTION
8	H100198	WASHER LOCK EXT 8x19 BLK
8	H100379	T-NUT 5/16 BLK
4	H100415	BOLT WH 5/16x3 3/4 BLK
4	H100513	BOLT WH 5/16x4 1/4 BLK

**TIP:**  
**INSTALL T-NUTS IN WOOD FIRST**



# STEP 21 - FORT ASSEMBLY

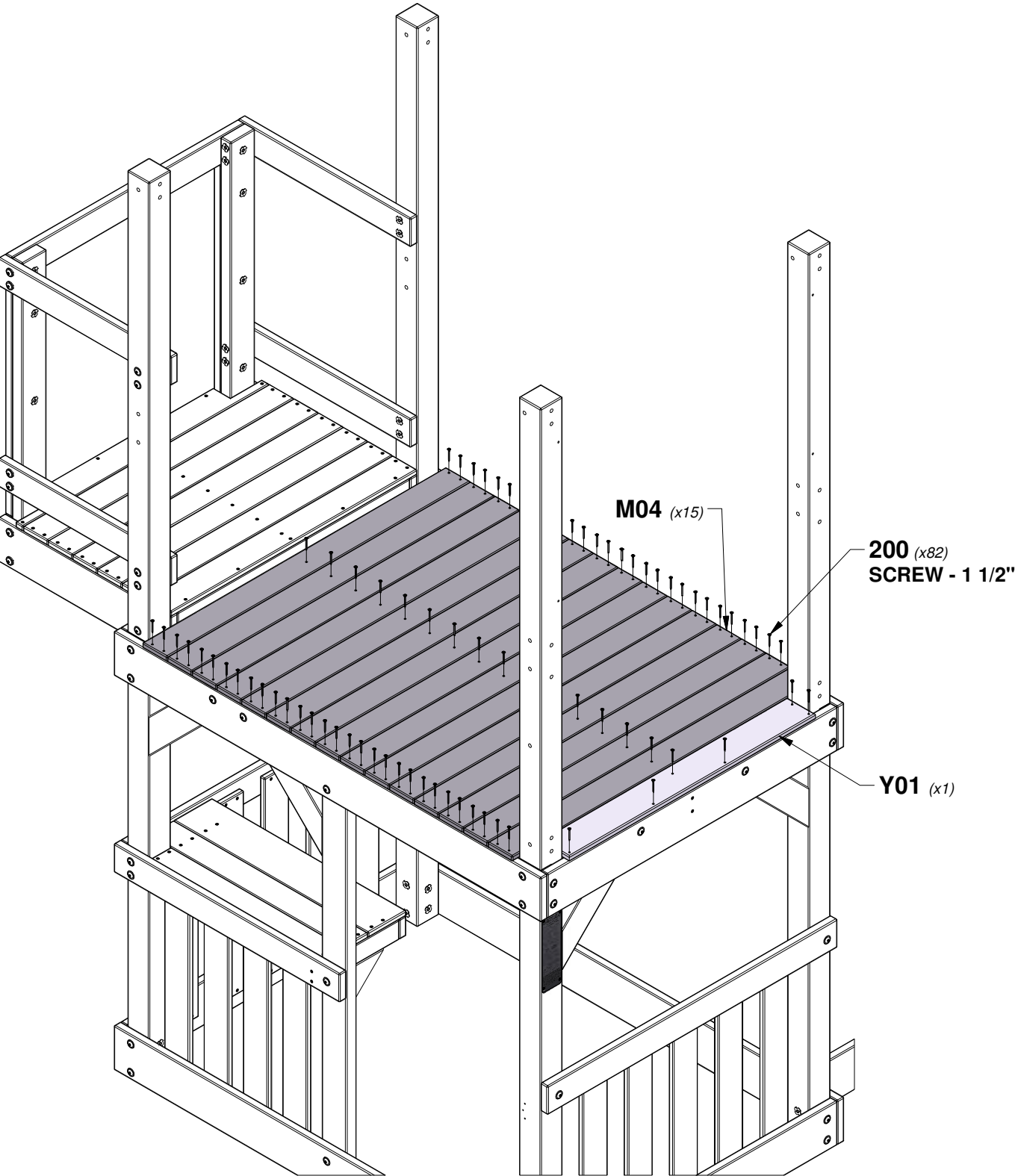
QTY	PART NUMBER	DESCRIPTION
82	H100200	SCREW PFH 8x1-1/2 BLK



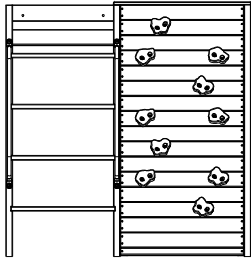
**M04 FLOOR BOARD - W4L18958**  
*(x15) 5/8"x3 3/8"x41 7/8" (16x86x1065)*



**Y01 FLOOR BOARD - W4L18957**  
*(x1) 5/8"x3 7/8"x34" (16x100x864)*



# STEP 22 - FORT ASSEMBLY



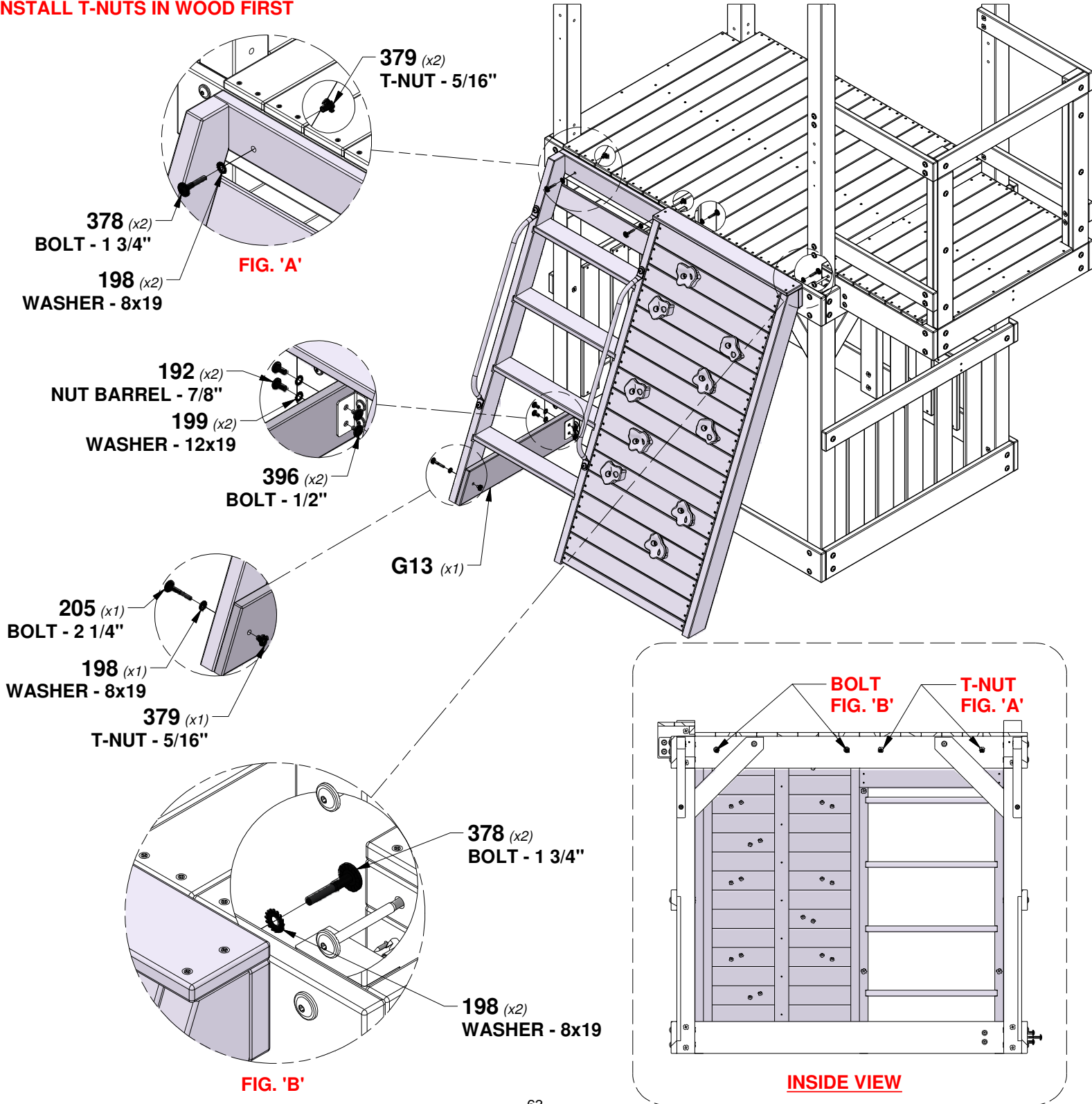
(x1) LADDER & ROCKWALL COMBO ASSEMBLY



**G13 GROUND BOARD - W4L18926**  
(x1) 1"x5 1/4"x24 3/8" (24x134x618)

QTY	PART NUMBER	DESCRIPTION
2	H100192	NUT BARREL WH 5/16x7/8 BLK
5	H100198	WASHER LOCK EXT 8x19 BLK
2	H100199	WASHER LOCK EXT 12x19 BLK
1	H100205	BOLT WH 5/16x2-1/4 BLK
4	H100378	BOLT WH 5/16x1 3/4 BLK
3	H100379	T-NUT 5/16 BLK
2	H100396	BOLT WH 5/16x1/2 BLK

**TIP:**  
INSTALL T-NUTS IN WOOD FIRST



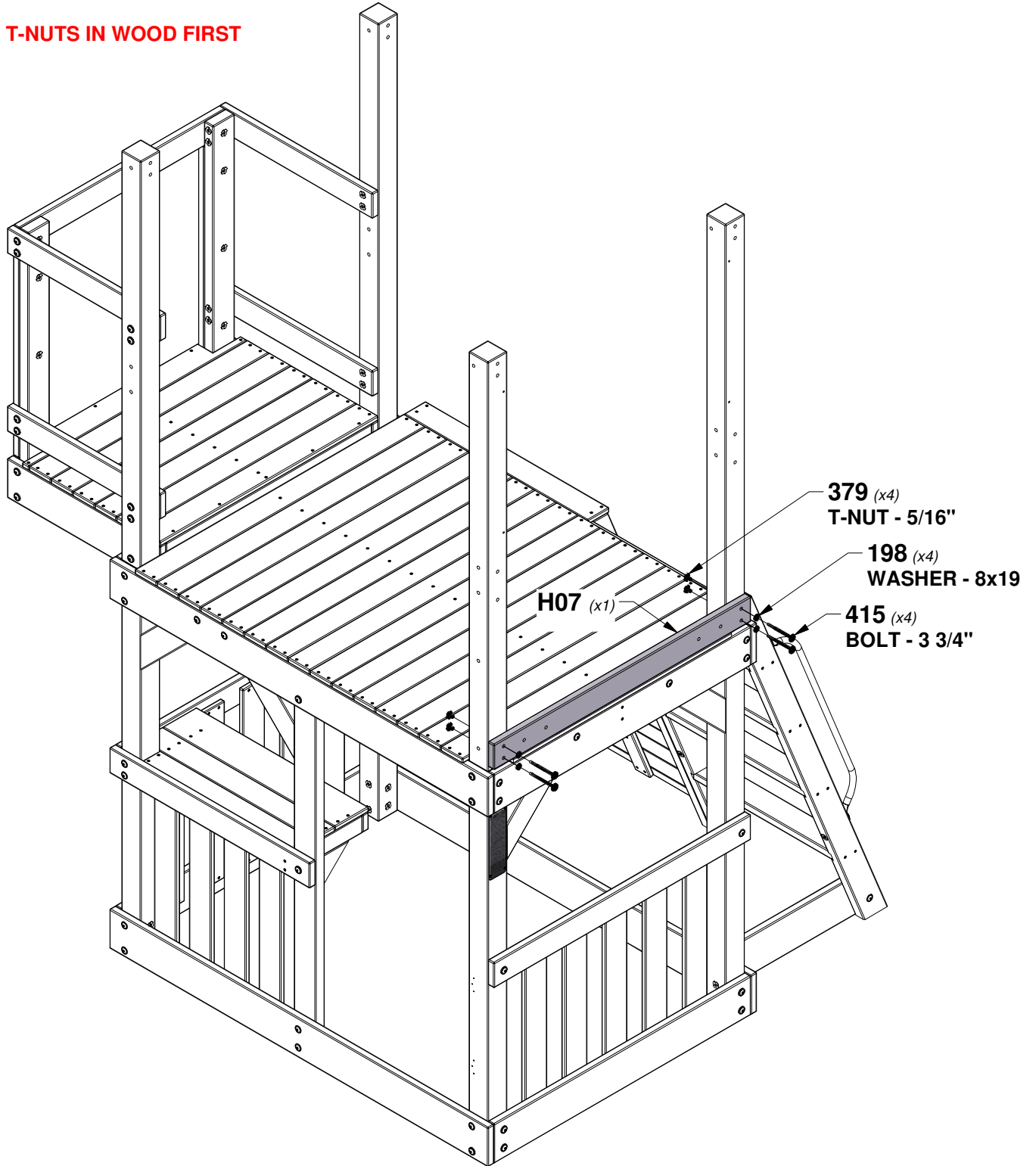
# STEP 23 - FORT ASSEMBLY

QTY	PART NUMBER	DESCRIPTION
4	H100198	WASHER LOCK EXT 8x19 BLK
4	H100379	T-NUT 5/16 BLK
4	H100415	BOLT WH 5/16x3 3/4 BLK



**H07 WALL RAIL - W4L18959**  
 (x1) 1"x3 3/8"x40" (24x86x1017)

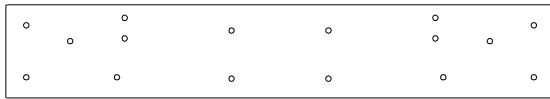
**TIP:**  
 INSTALL T-NUTS IN WOOD FIRST





# STEP 24 - FORT ASSEMBLY

**TOP**



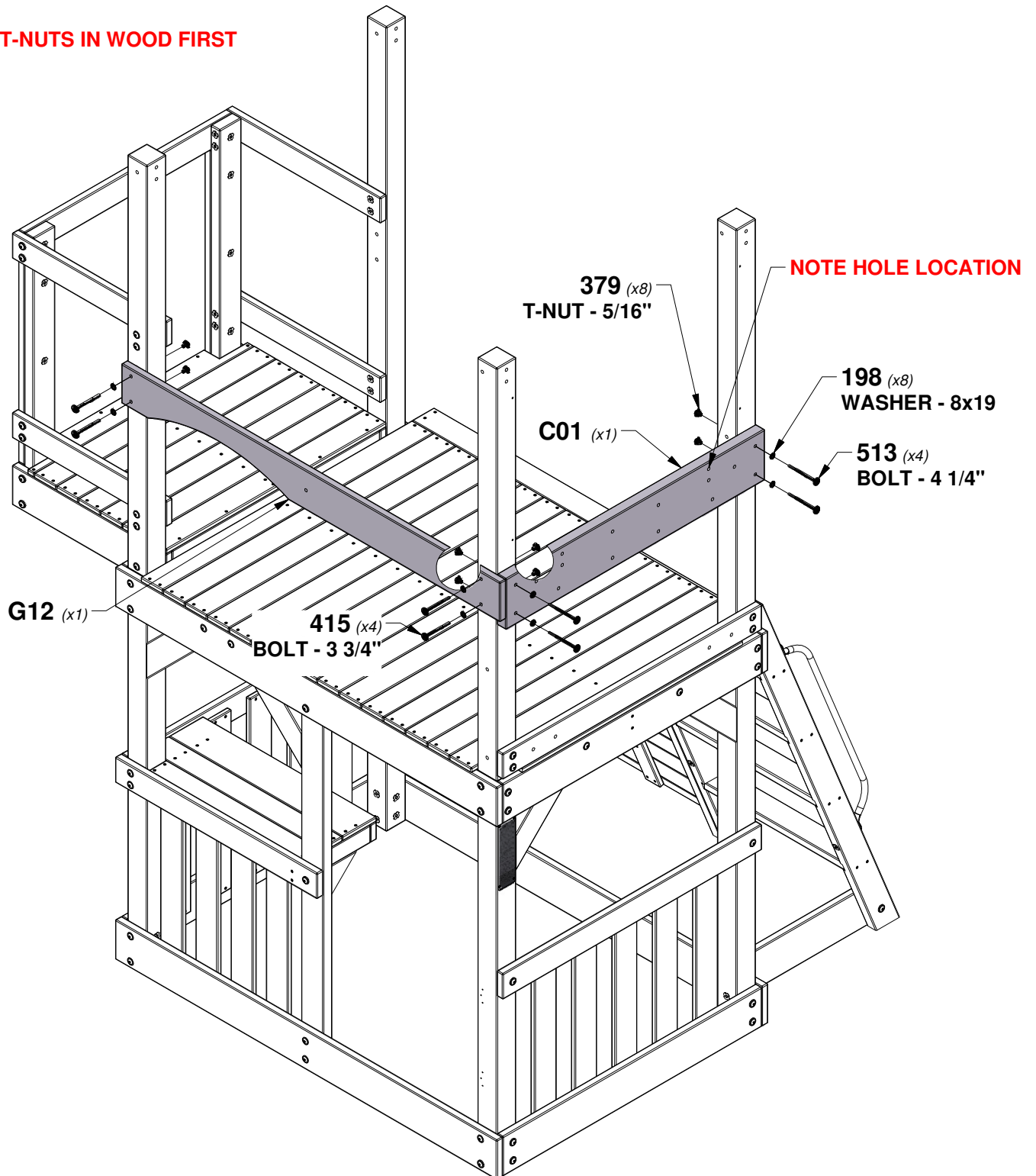
**C01 TOP SWING BEAM RAIL - W4L18968**  
(x1) 1 3/8"x6 3/4"x40" (36x172x1017)

QTY	PART NUMBER	DESCRIPTION
8	H100198	WASHER LOCK EXT 8x19 BLK
8	H100379	T-NUT 5/16 BLK
4	H100415	BOLT WH 5/16x3 3/4 BLK
4	H100513	BOLT WH 5/16x4 1/4 BLK



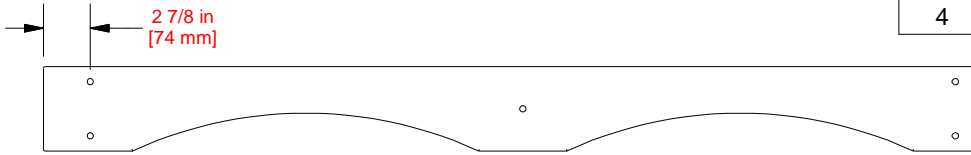
**G12 FRONT ARCHED RAIL - W4L18965**  
(x1) 1"x5 1/4"x58 1/2" (24x134x1486)

**TIP:**  
**INSTALL T-NUTS IN WOOD FIRST**



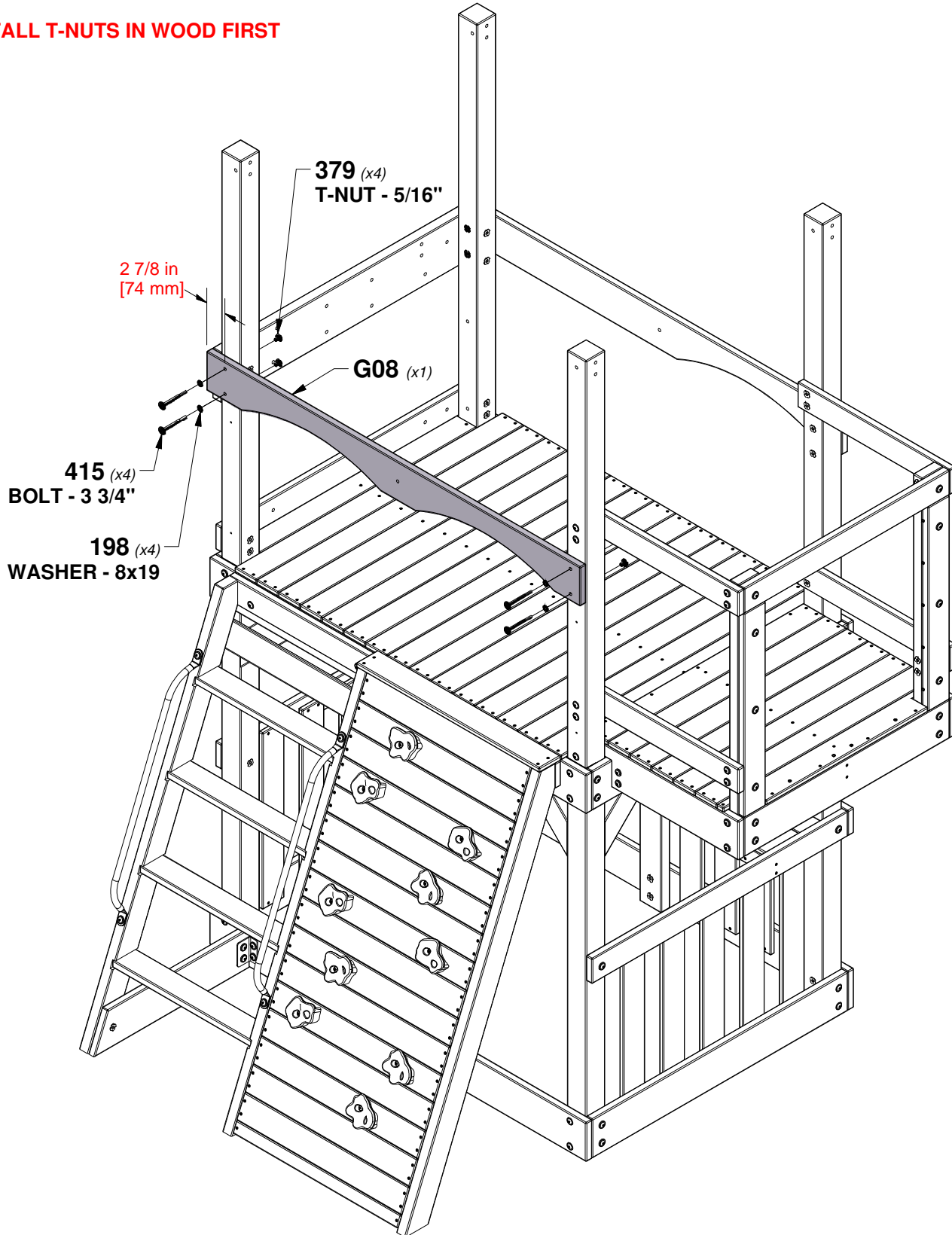
# STEP 25 - FORT ASSEMBLY

QTY	PART NUMBER	DESCRIPTION
4	H100198	WASHER LOCK EXT 8x19 BLK
4	H100379	T-NUT 5/16 BLK
4	H100415	BOLT WH 5/16x3 3/4 BLK



**G08 BACK ARCHED RAIL - W4L18966**  
(x1) 1"x5 1/4"x58 1/2" (24x134x1486)

**TIP:**  
INSTALL T-NUTS IN WOOD FIRST

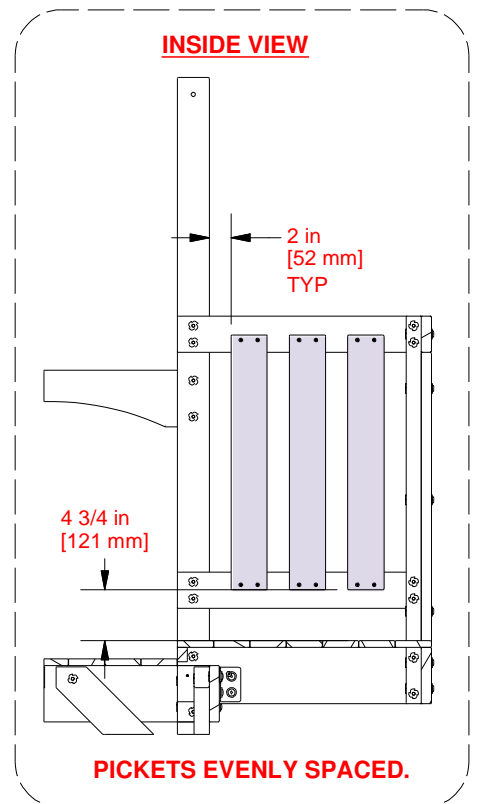
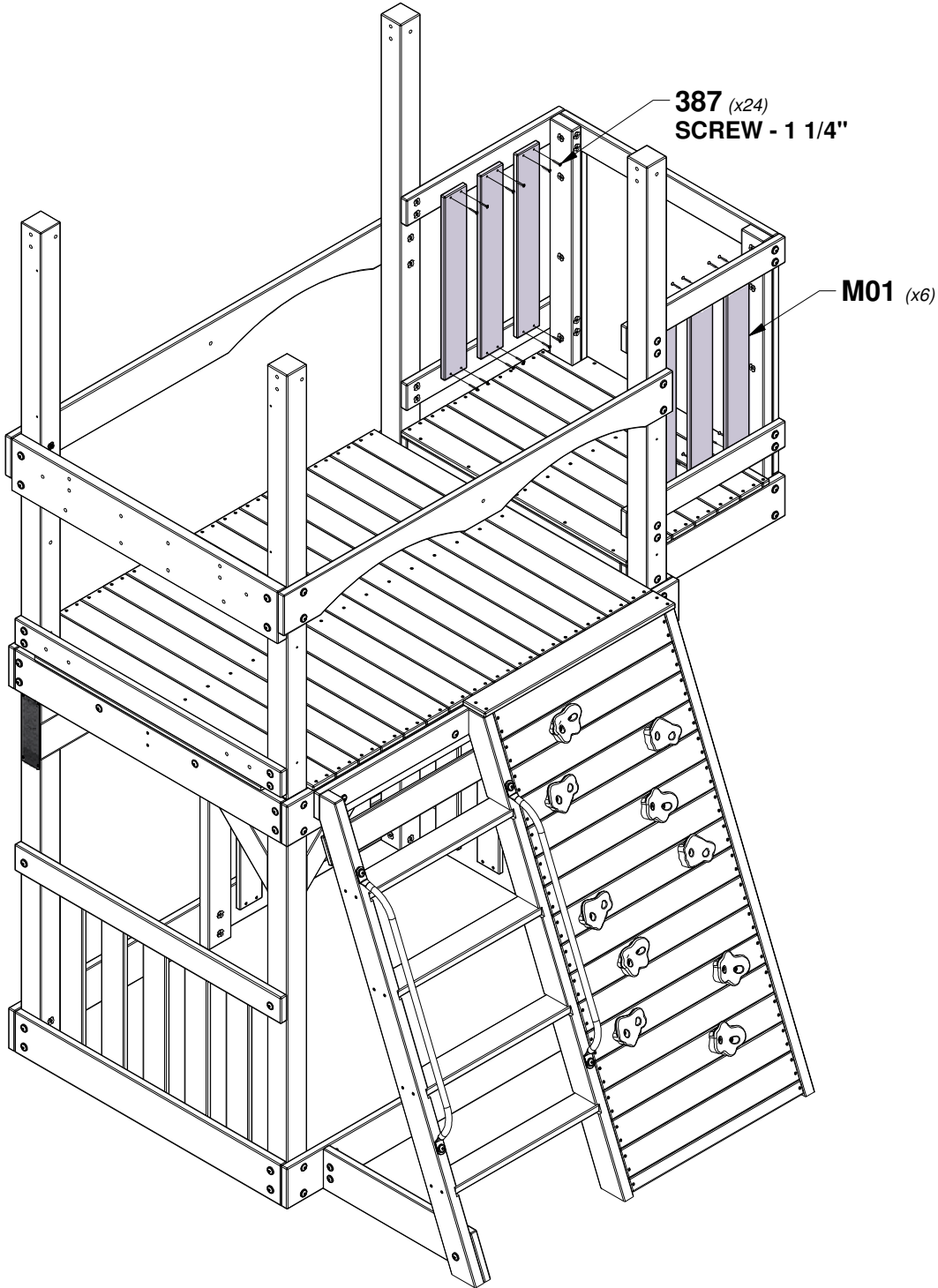


# STEP 26 - FORT ASSEMBLY

QTY	PART NUMBER	DESCRIPTION
24	H100387	SCREW PFH 8x1 1/4 BLK



**M01 PICKET - W4L18946**  
(x6) 5/8"x3 3/8"x23 7/8" (16x86x606)



# STEP 27 - FORT ASSEMBLY

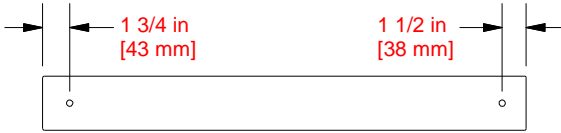
QTY	PART NUMBER	DESCRIPTION
1	H100192	NUT BARREL WH 5/16x7/8 BLK
4	H100198	WASHER LOCK EXT 8x19 BLK
1	H100199	WASHER LOCK EXT 12x19 BLK
2	H100378	BOLT WH 5/16x1 3/4 BLK
5	H100379	T-NUT 5/16 BLK
1	H100396	BOLT WH 5/16x1/2 BLK
1	H100407	BOLT WH 5/16x1 1/2 BLK
2	H100415	BOLT WH 5/16x3 3/4 BLK



**H09 WALL BOARD - W4L18969**  
(x1) 1"x3 3/8"x25 5/8" (24x86x650)

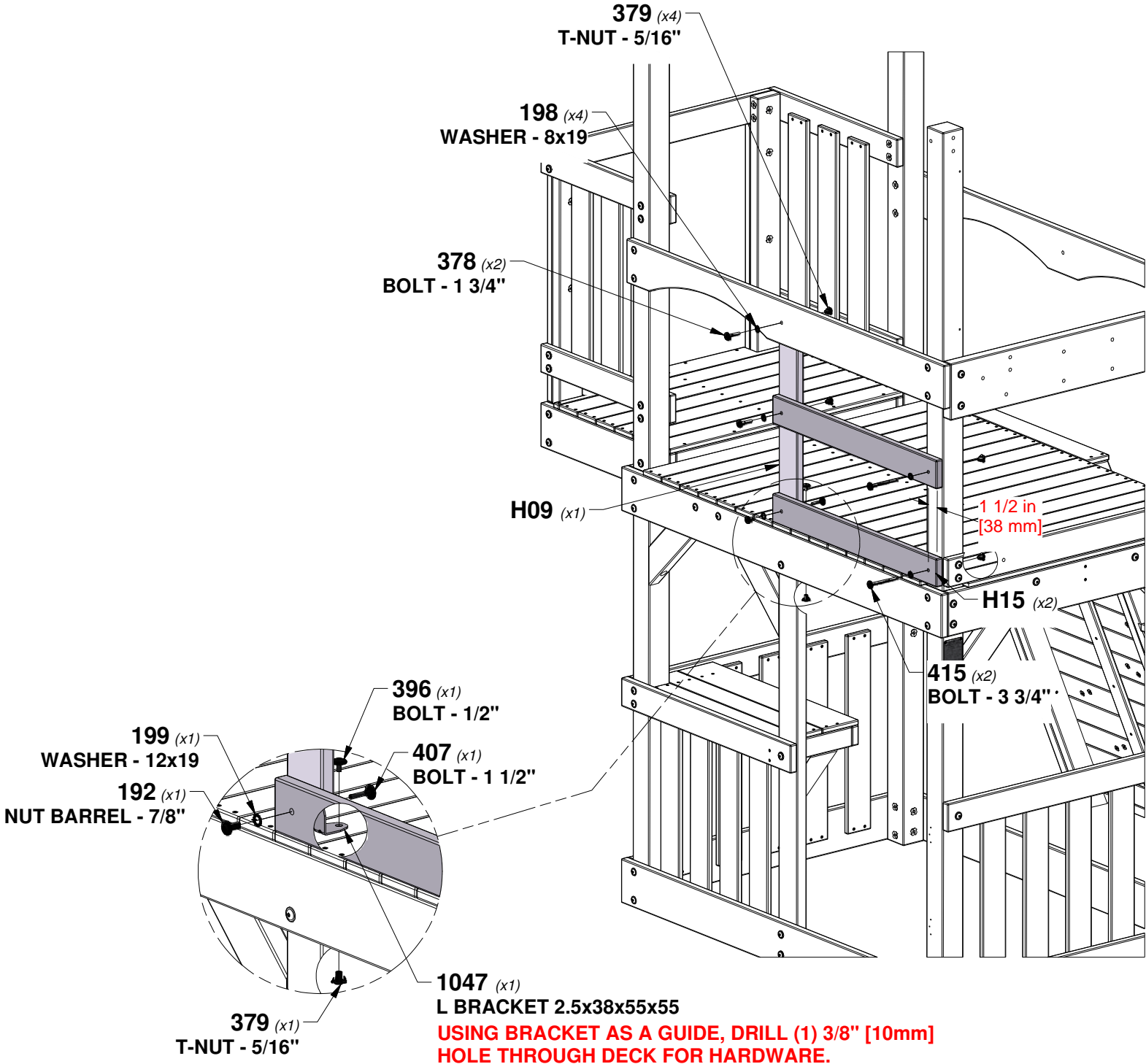


**A4M01047 L BRACKET**  
(x1) 2.5x38x55x55



**H15 WALL BOARD - W4L18930**  
(x2) 1"x3 3/8"x30 1/4" (24x86x768)

**TIP:**  
INSTALL T-NUTS IN WOOD FIRST



# STEP 28 - FORT ASSEMBLY

QTY	PART NUMBER	DESCRIPTION
1	H100378	BOLT WH 5/16x1 3/4 BLK
1	H100198	WASHER LOCK EXT 8x19 BLK
2	H100379	T-NUT 5/16 BLK
2	H100396	BOLT WH 5/16x1/2 BLK
1	H100199	WASHER LOCK EXT 12x19 BLK
1	H100192	NUT BARREL WH 5/16x7/8 BLK

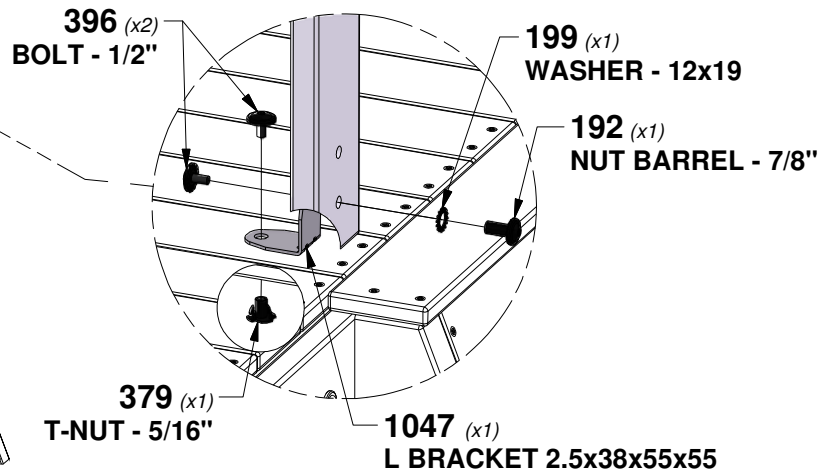
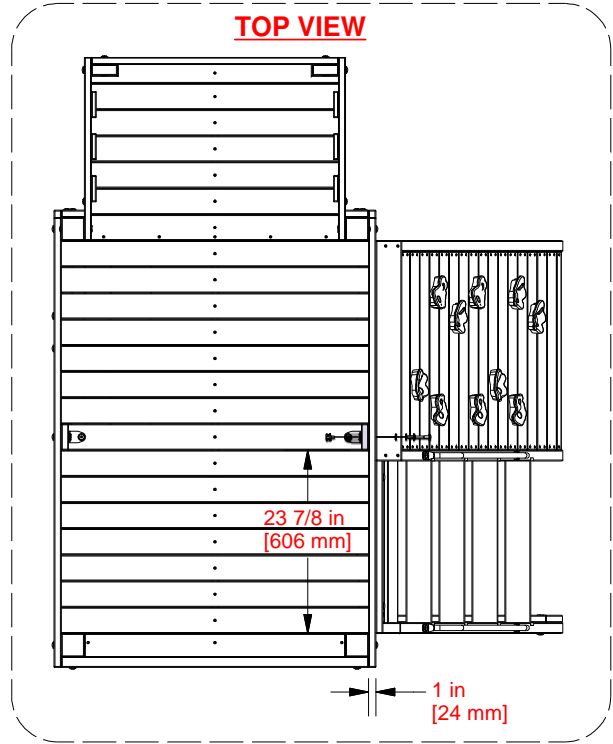
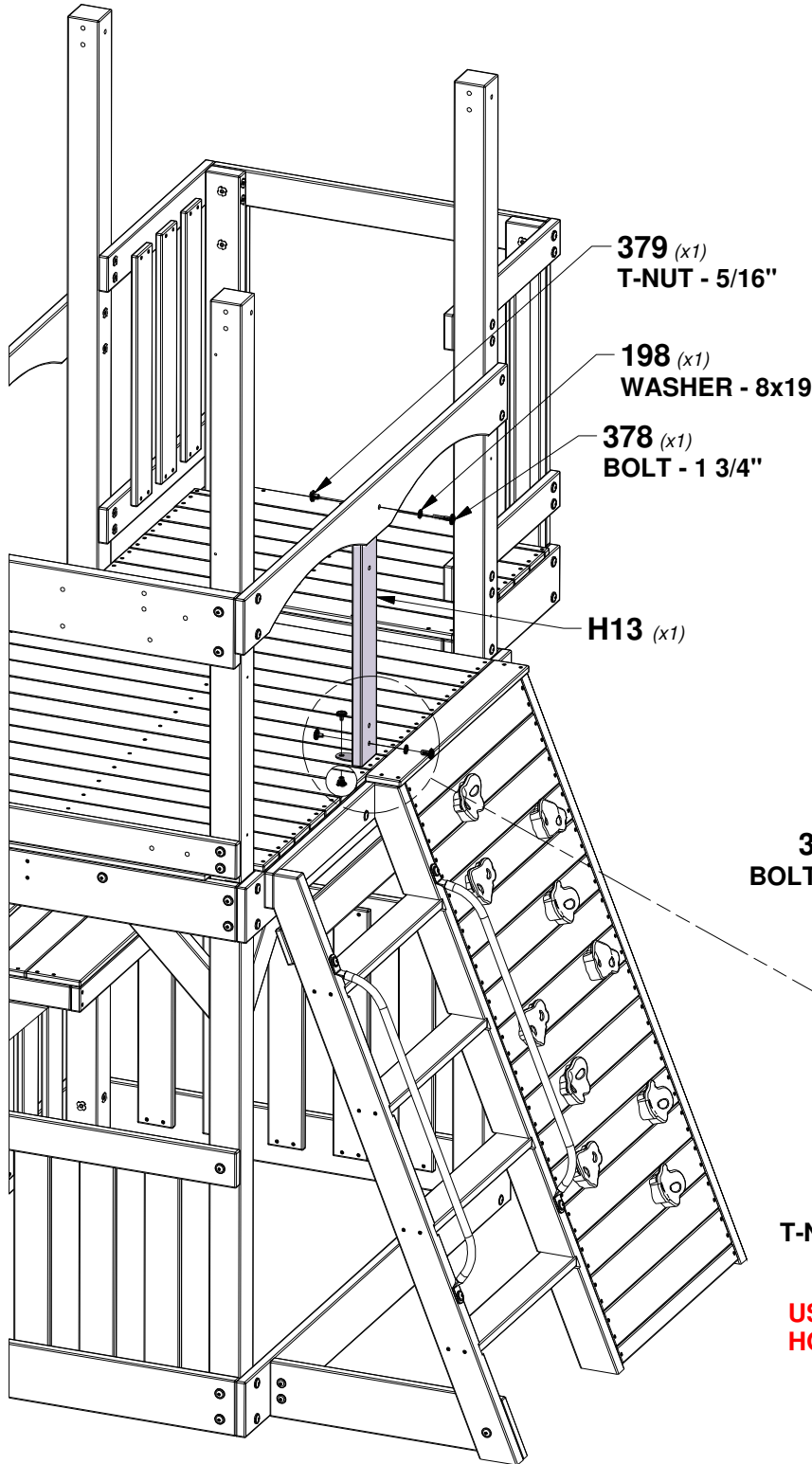


**H13 WALL BOARD - W4L18975**  
(x1) 1"x3 3/8"x25 5/8" (24x86x650)



**A4M01047 L BRACKET**  
(x1) 2.5x38x55x55

**TIP:**  
INSTALL T-NUTS IN WOOD FIRST



**USING BRACKET AS A GUIDE, DRILL (1) 3/8" [10mm] HOLE THROUGH DECK FOR HARDWARE.**

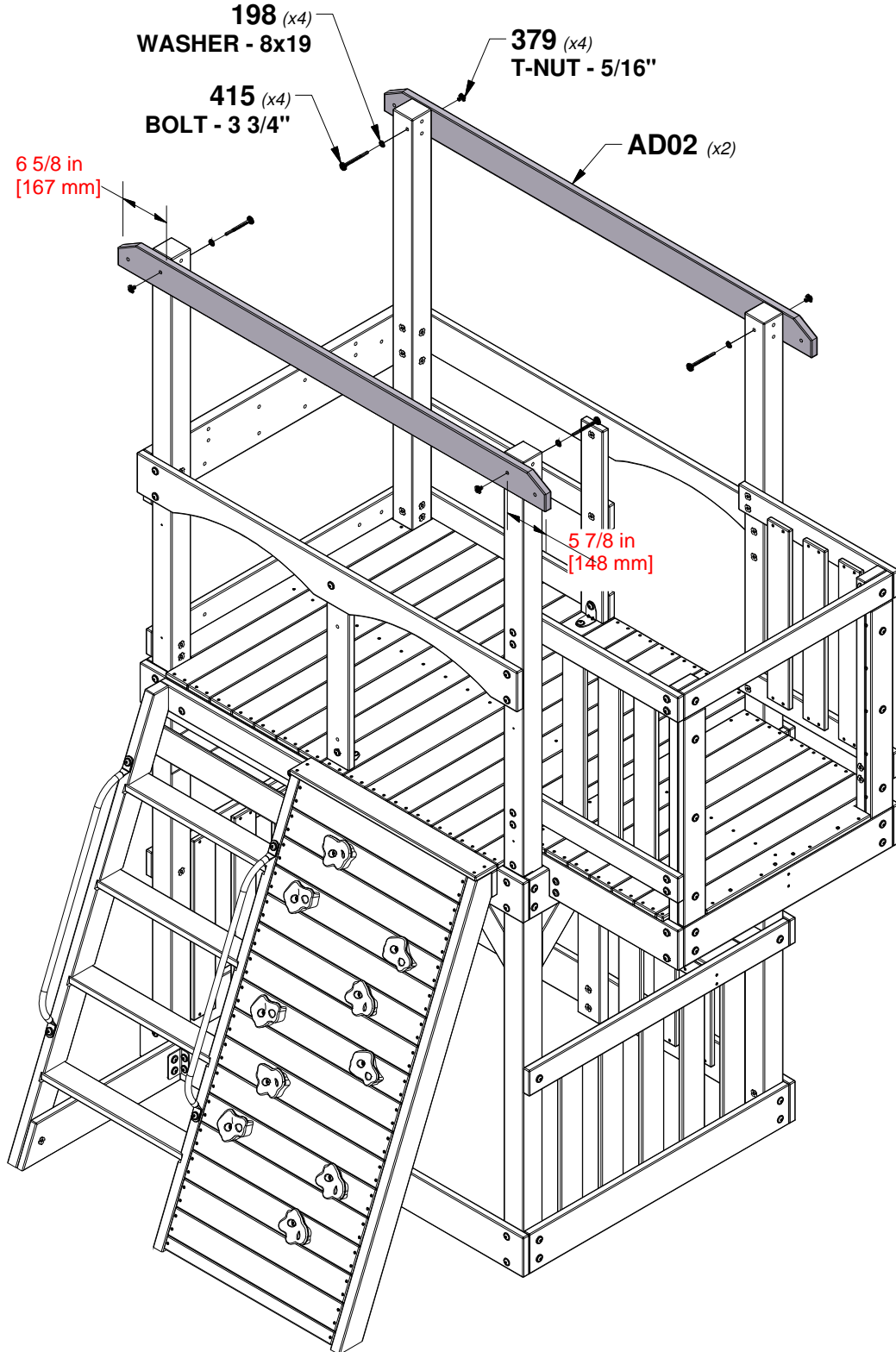
# STEP 29 - FORT ASSEMBLY

QTY	PART NUMBER	DESCRIPTION
4	H100198	WASHER LOCK EXT 8x19 BLK
4	H100379	T-NUT 5/16 BLK
4	H100415	BOLT WH 5/16x3 3/4 BLK



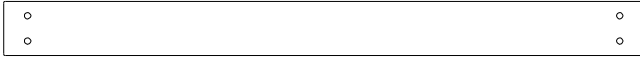
**AD02 WALL RAIL - W4L18979**  
(x2) 1"x3 7/8"x65 3/4" (24x100x1670)

**TIP:**  
**INSTALL T-NUTS IN WOOD FIRST**



# STEP 30 - FORT ASSEMBLY

QTY	PART NUMBER	DESCRIPTION
8	H100198	WASHER LOCK EXT 8x19 BLK
8	H100379	T-NUT 5/16 BLK
4	H100415	BOLT WH 5/16x3 3/4 BLK
4	H100503	BOLT WH 5/16x3 1/2 BLK

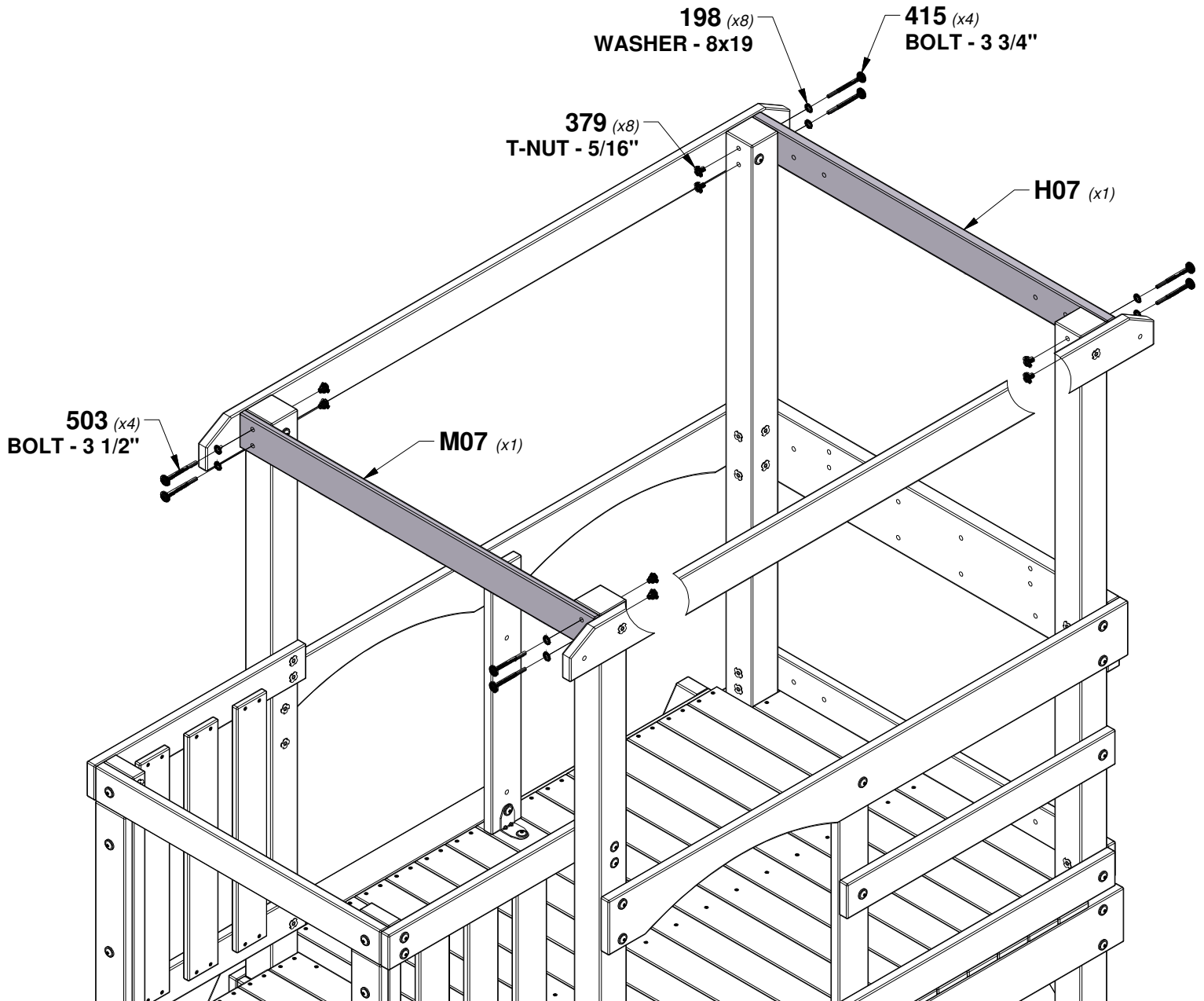


**M07 WALL RAIL - W4L18973**  
(x1) 5/8"x3 3/8"x40" (16x86x1017)



**H07 WALL RAIL - W4L18959**  
(x1) 1"x3 3/8"x40" (24x86x1017)

**TIP:**  
INSTALL T-NUTS IN WOOD FIRST



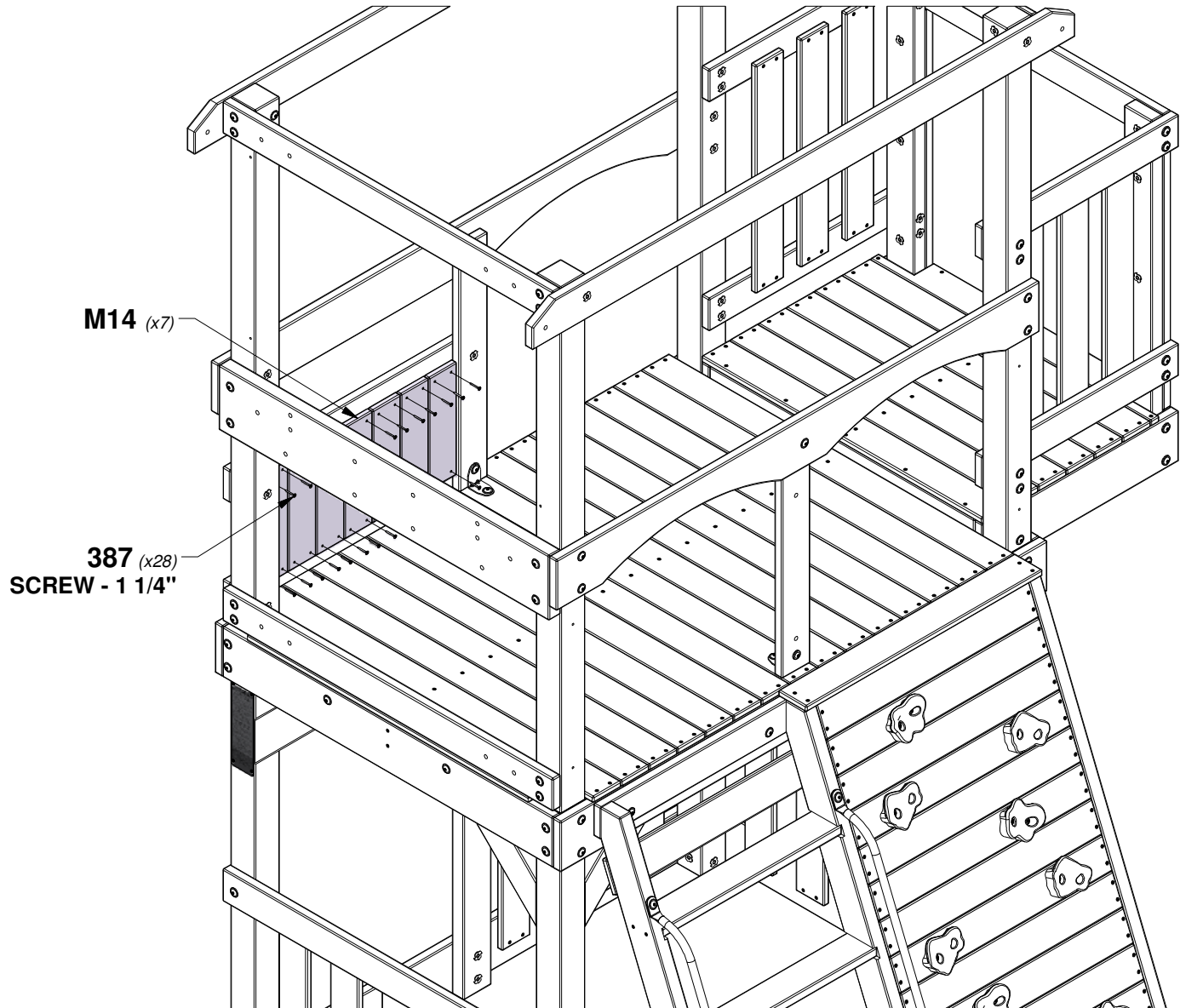
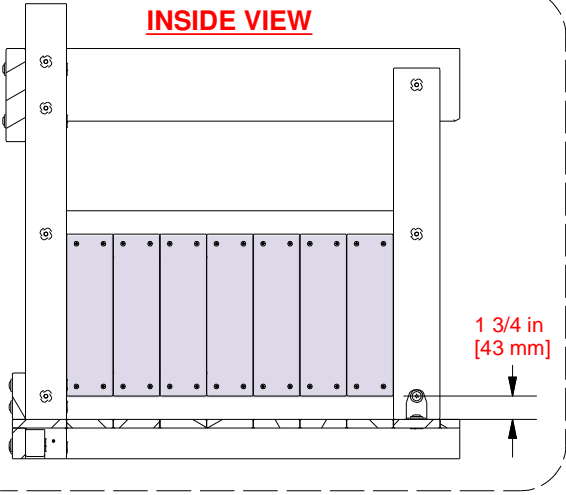
# STEP 31 - FORT ASSEMBLY

QTY	PART NUMBER	DESCRIPTION
28	H100387	SCREW PFH 8x1 1/4 BLK



**M14 WALL BOARD - W4L18929**  
(x7) 5/8"x3 3/8"x11 3/4" (16x86x300)

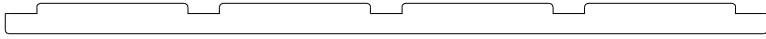
## INSIDE VIEW





# STEP 32 - FORT ASSEMBLY

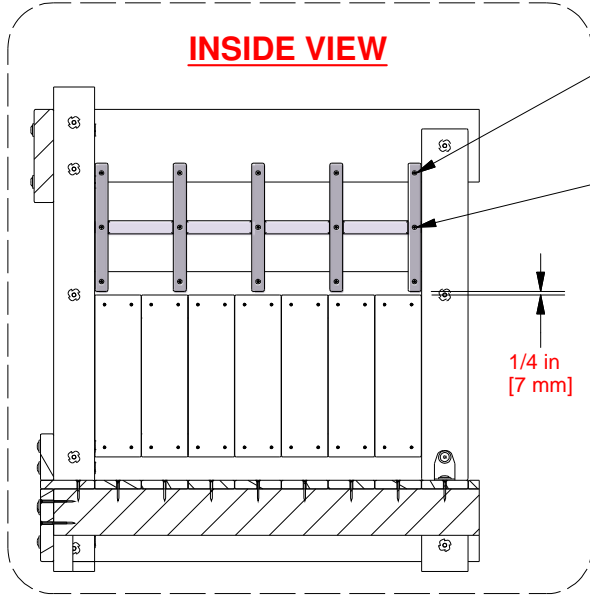
QTY	PART NUMBER	DESCRIPTION
10	H100382	SCREW PFH 8x1 3/4 BLK
5	H100395	SCREW PFH 8x3/4 BLK



**S01 WINDOW FRAME - W4L18928**  
(x1) 1"x1"x23 7/8" (24x24x605)



**S02 WINDOW FRAME - W4L18927**  
(x5) 1"x1"x9 3/8" (24x24x237)

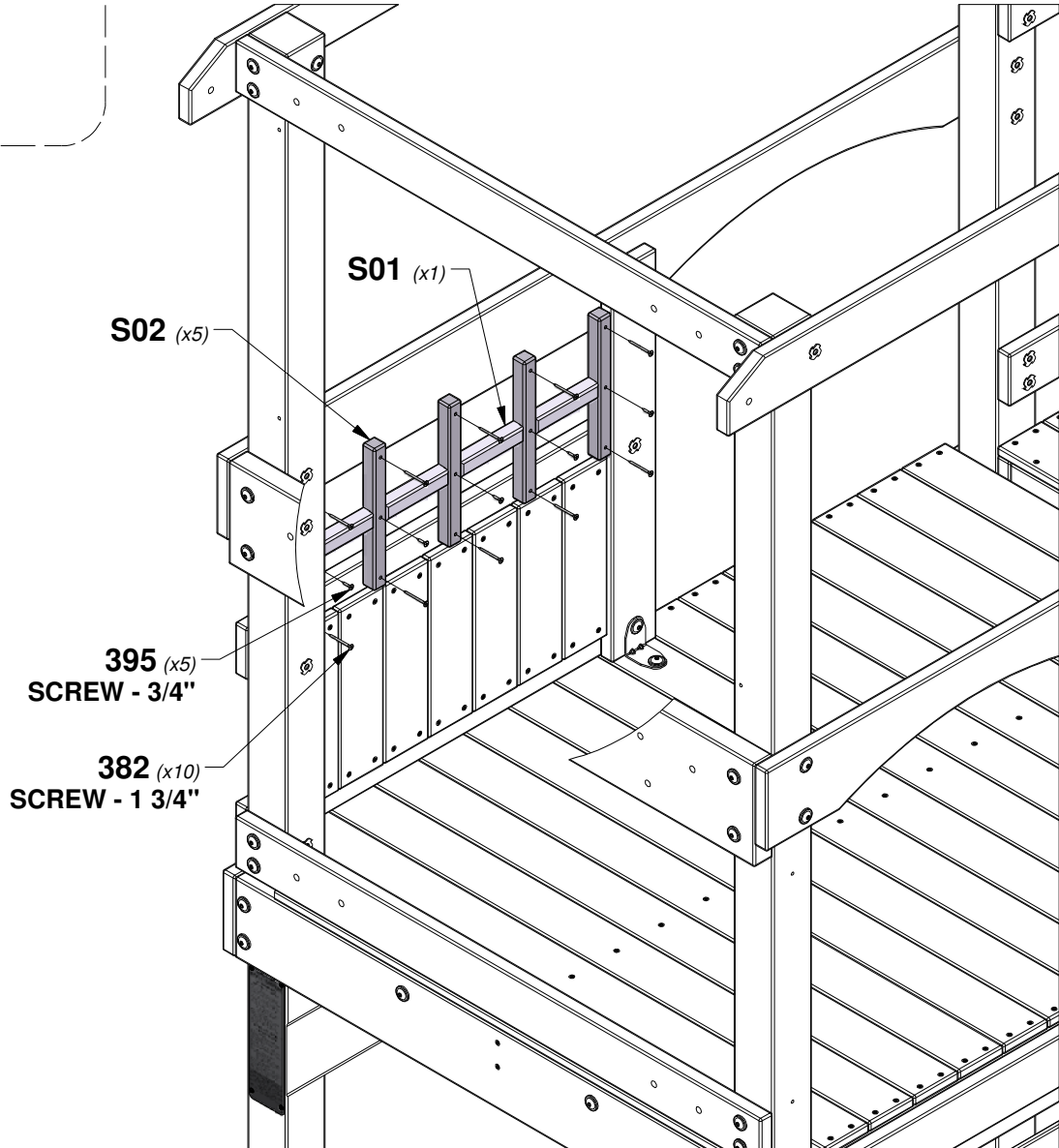


**INSIDE VIEW**

**382**  
**SCREW - 1 3/4"**  
**TOP & BOTTOM ROW**

**395**  
**SCREW - 3/4"**  
**MIDDLE ROW**

1/4 in  
[7 mm]



**S01 (x1)**

**S02 (x5)**

**395 (x5)**  
**SCREW - 3/4"**

**382 (x10)**  
**SCREW - 1 3/4"**

# STEP 33 - FORT ASSEMBLY

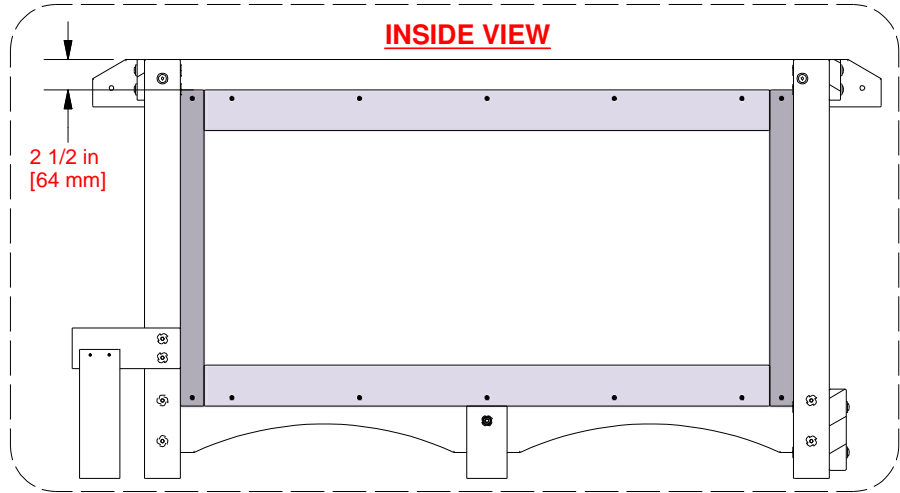
QTY	PART NUMBER	DESCRIPTION
14	H100200	SCREW PFH 8x1-1/2 BLK



**H10 WINDOW TRIM - W4L18970**  
(x2) 1"x3 3/8"x47 1/8" (24x86x1198)



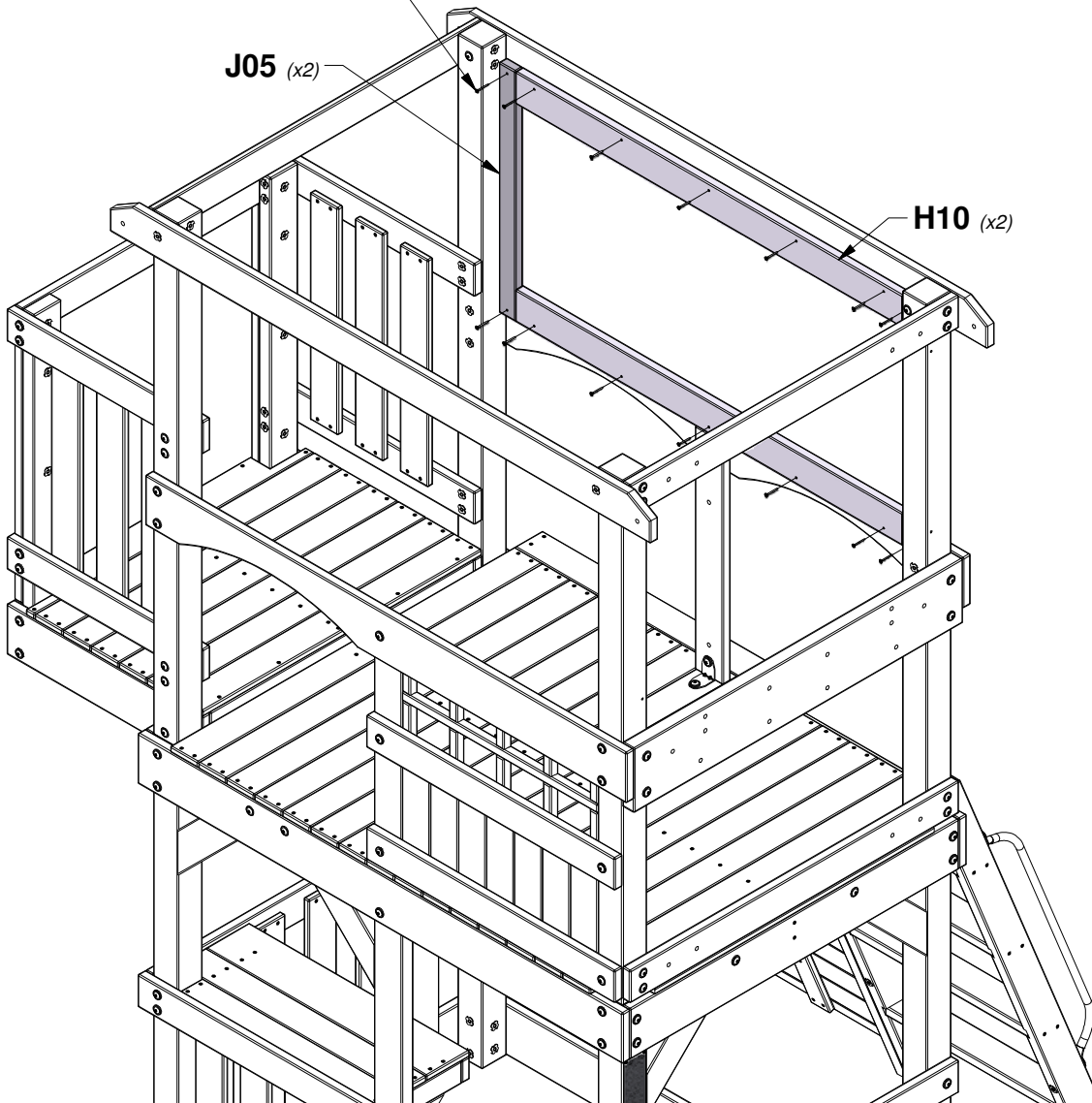
**J05 WINDOW TRIM - W4L18971**  
(x2) 1"x2"x26 1/4" (24x50x668)



**200 (x14)**  
**SCREW - 1 1/2"**

**J05 (x2)**

**H10 (x2)**



# STEP 34 - FORT ASSEMBLY

QTY	PART NUMBER	DESCRIPTION
14	H100200	SCREW PFH 8x1 1/2 BLK

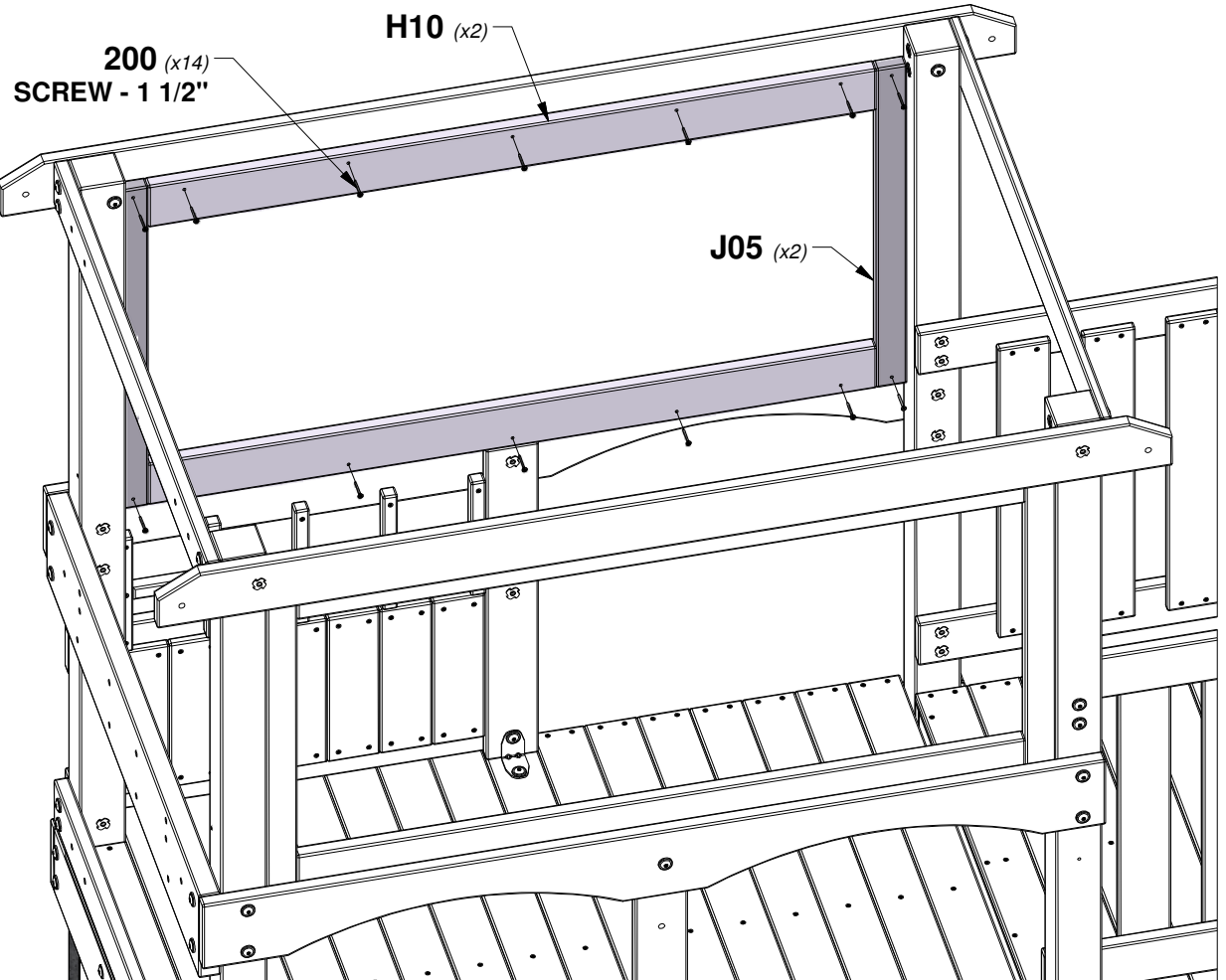
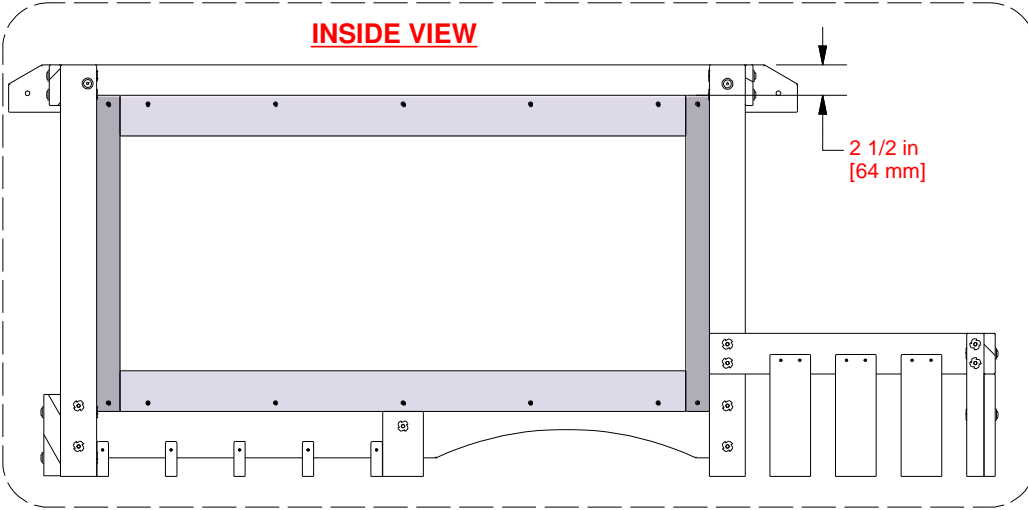


**H10 WINDOW TRIM - W4L18970**  
(x2) 1"x3 3/8"x47 1/8" (24x86x1198)



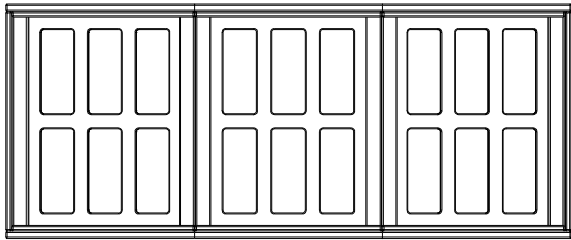
**J05 WINDOW TRIM - W4L18971**  
(x2) 1"x2"x26 1/4" (24x50x668)

## INSIDE VIEW



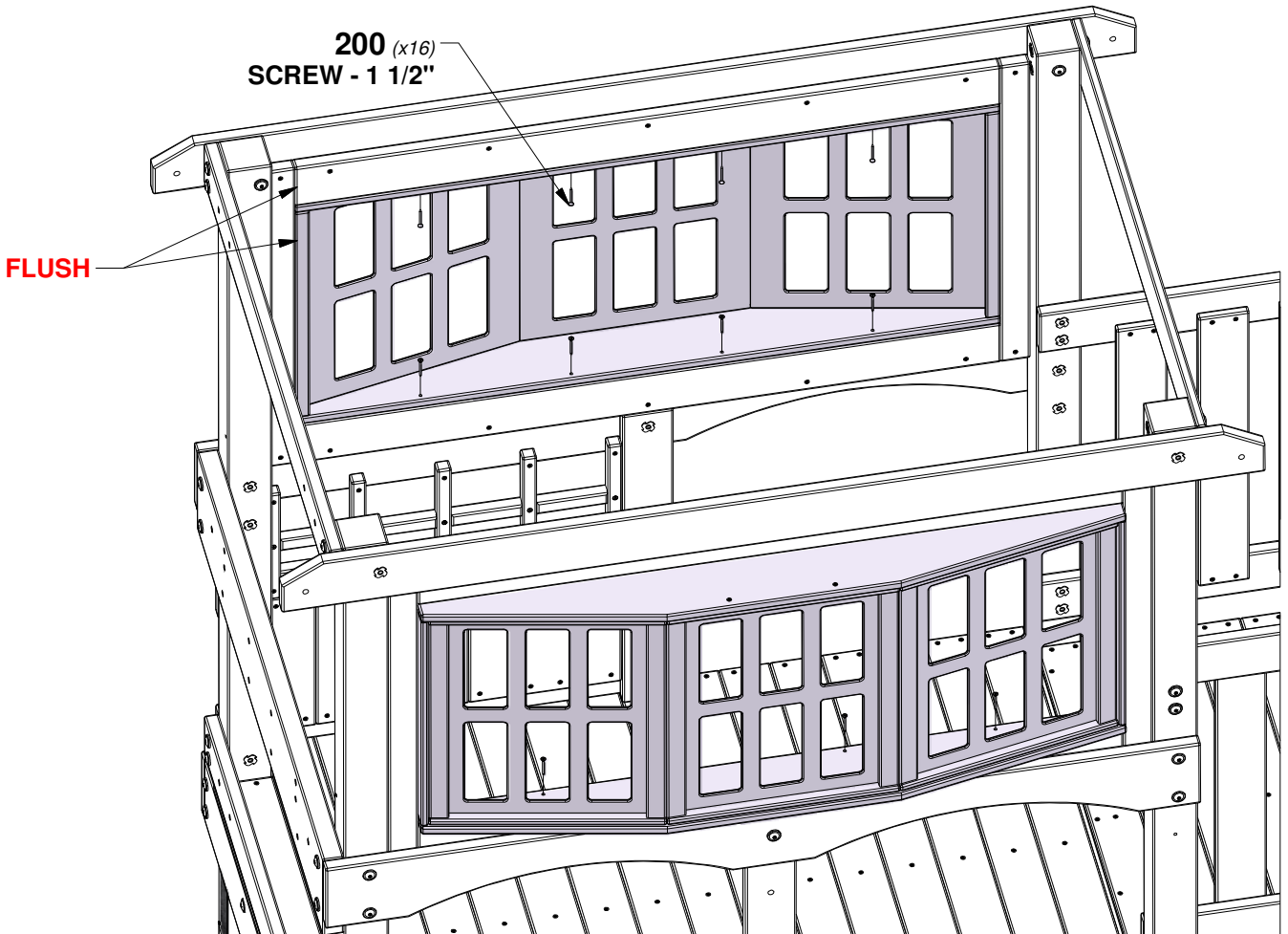
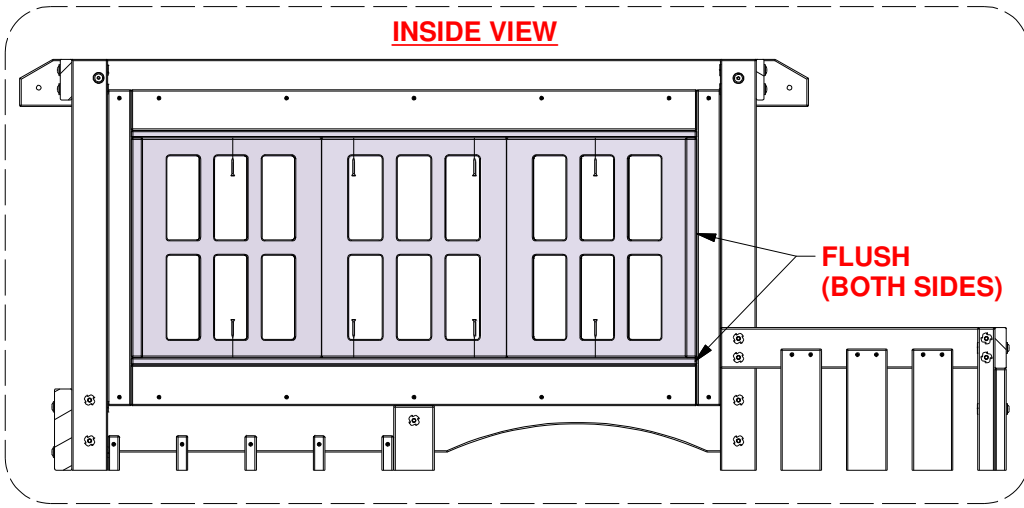
# STEP 35 - FORT ASSEMBLY

QTY	PART NUMBER	DESCRIPTION
16	H100200	SCREW PFH 8x1 1/2 BLK



(x2) BAY WINDOW ASSEMBLY

**INSIDE VIEW**

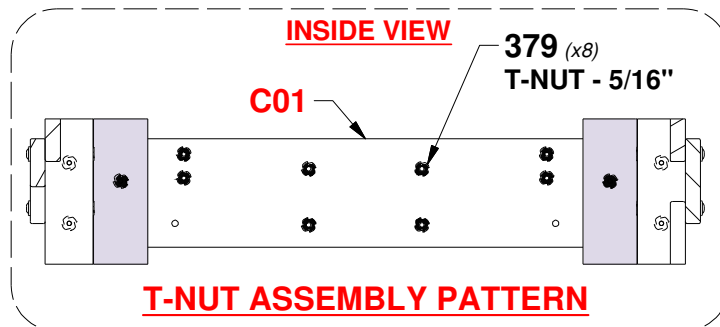
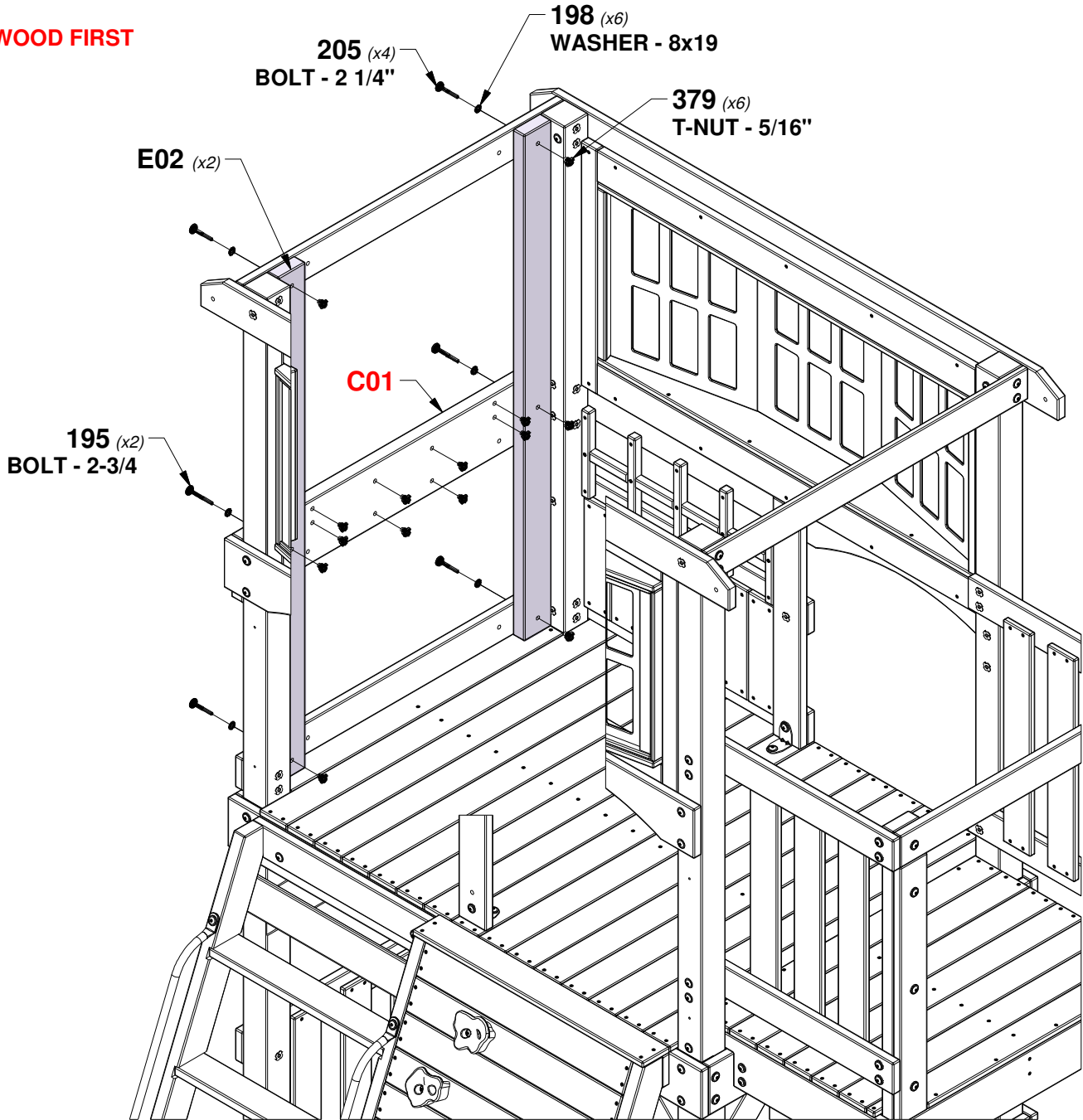


# STEP 36 - FORT ASSEMBLY

QTY	PART NUMBER	DESCRIPTION
2	H100195	BOLT WH 5/16x2 3/4 BLK
6	H100198	WASHER LOCK EXT 8x19 BLK
4	H100205	BOLT WH 5/16x2 1/4 BLK
14	H100379	T-NUT 5/16 BLK

**E02 WALL BOARD - W4L18980**  
 (x2) 1 3/8"x3 3/8"x54 3/8" (36x86x1382)

**TIP:**  
**INSTALL T-NUTS IN WOOD FIRST**

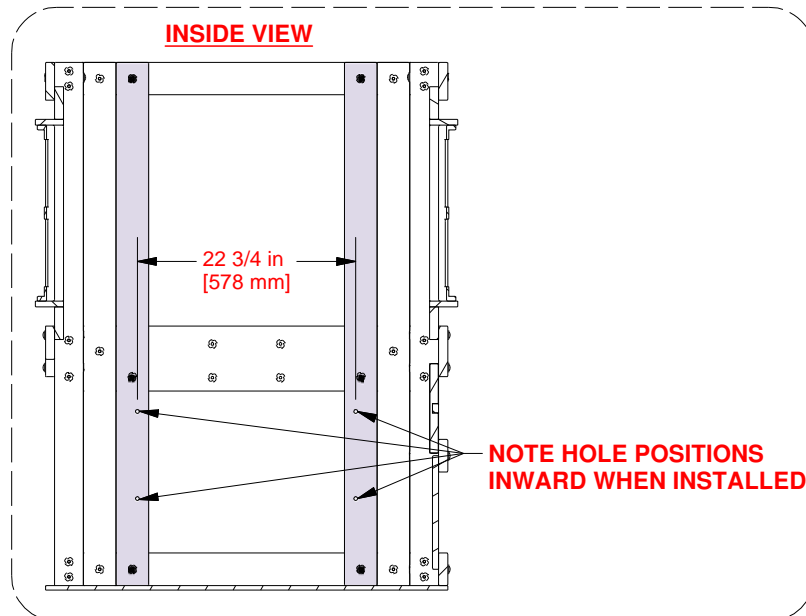
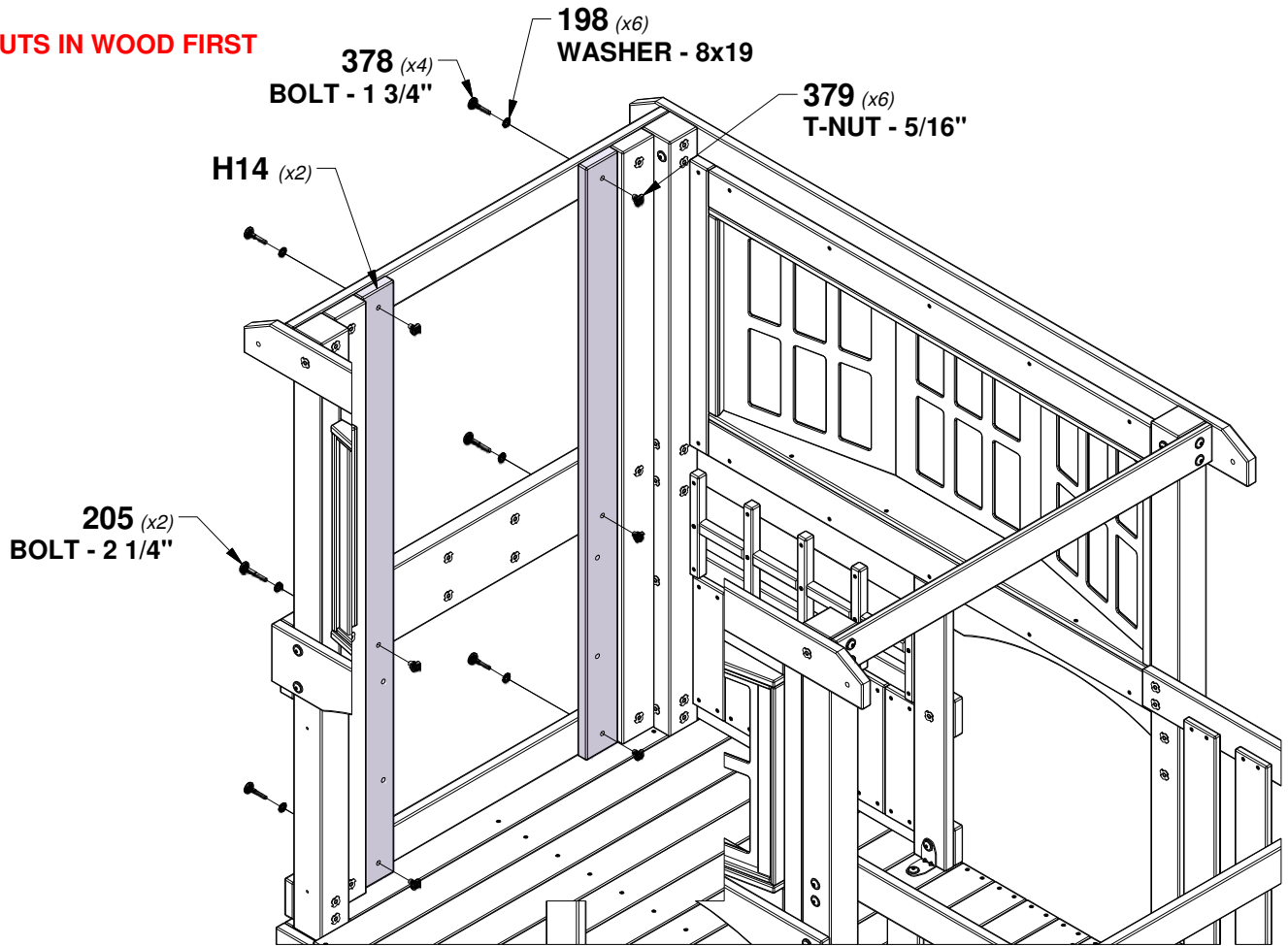


# STEP 37 - FORT ASSEMBLY

QTY	PART NUMBER	DESCRIPTION
4	H100378	BOLT WH 5/16x1 3/4 BLK
2	H100205	BOLT WH 5/16x2 1/4 BLK
6	H100198	WASHER LOCK EXT 8x19 BLK
6	H100379	T-NUT 5/16 BLK

**H14 WALL BOARD - W4L18981**  
 (x2) 1"x3 3/8"x54 3/8" (24x86x1382)

**TIP:**  
**INSTALL T-NUTS IN WOOD FIRST**

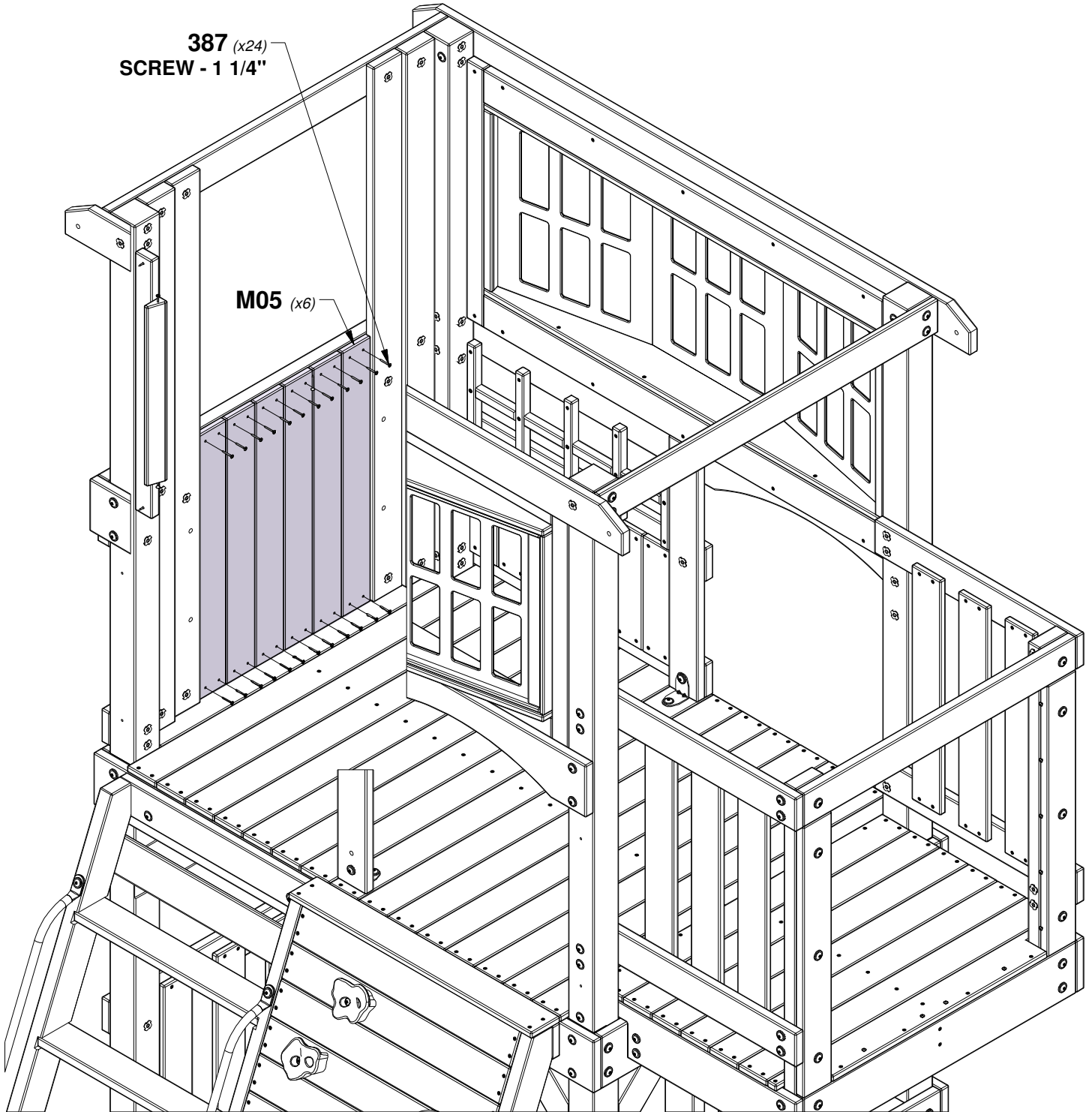


# STEP 38 - FORT ASSEMBLY

QTY	PART NUMBER	DESCRIPTION
24	H100387	SCREW PFH 8x1 1/4 BLK



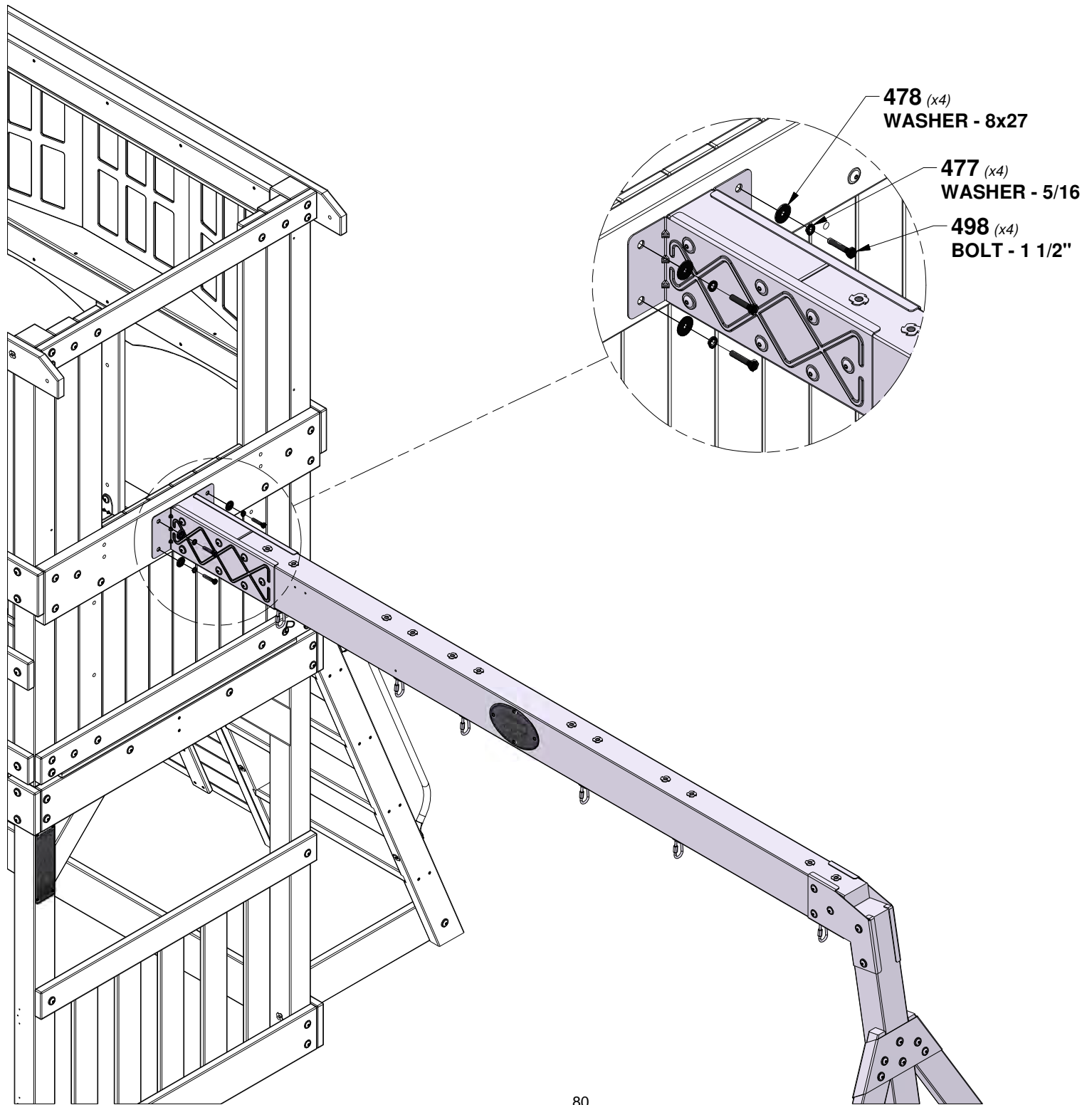
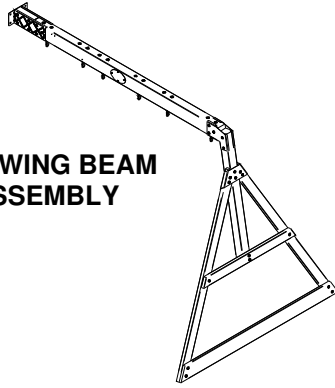
**M05 WALL BOARD - W4L18982**  
(x6) 5/8"x3 3/8"x27" (16x86x686)



# STEP 39 - FORT ASSEMBLY

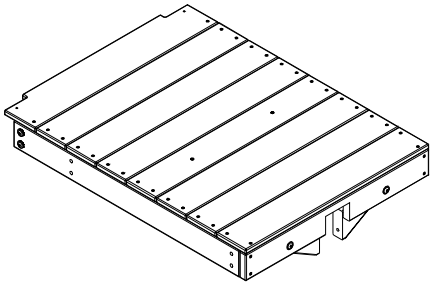
QTY	PART NUMBER	DESCRIPTION
4	H100498	BOLT HEX 5/16x1 1/2 BLK
4	H100477	WASHER SPLIT 5/16 BLK
4	H100478	WASHER FLAT 8x27

(x1) SWING BEAM ASSEMBLY

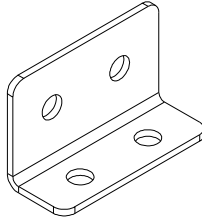




# STEP 40 - FORT ASSEMBLY

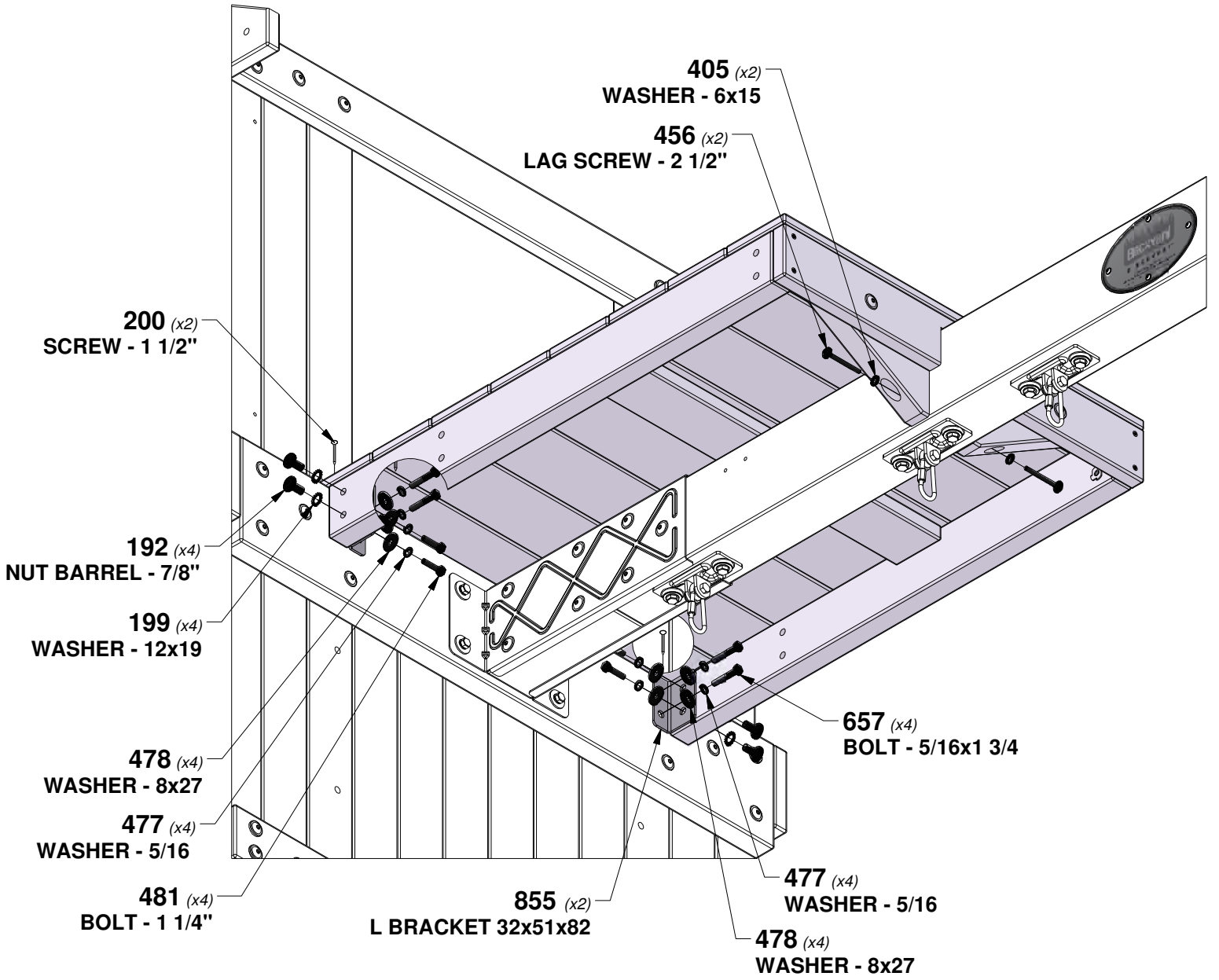


(x1) CROWS NEST DESK ASSEMBLY



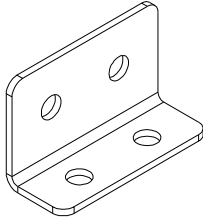
A4M00855 (x2) L BRACKET 51x32x82x3.175

QTY	PART NUMBER	DESCRIPTION
4	H100192	NUT BARREL WH 7/8 BLK
4	H100199	WASHER LOCK EXT 12x19 BLK
2	H100200	SCREW PFH 8x1 1/2 BLK
2	H100405	WASHER LOCK EXT 6x15 BLK
2	H100456	LAG SCREW 1/4x2 1/2 BLK
8	H100477	WASHER SPLIT 5/16 BLK
8	H100478	WASHER FLAT 8x27 BLK
4	H100481	BOLT HEX 5/16x1 1/4 BLK
4	H100657	BOLT HEX 5/16x1-3/4 BLK

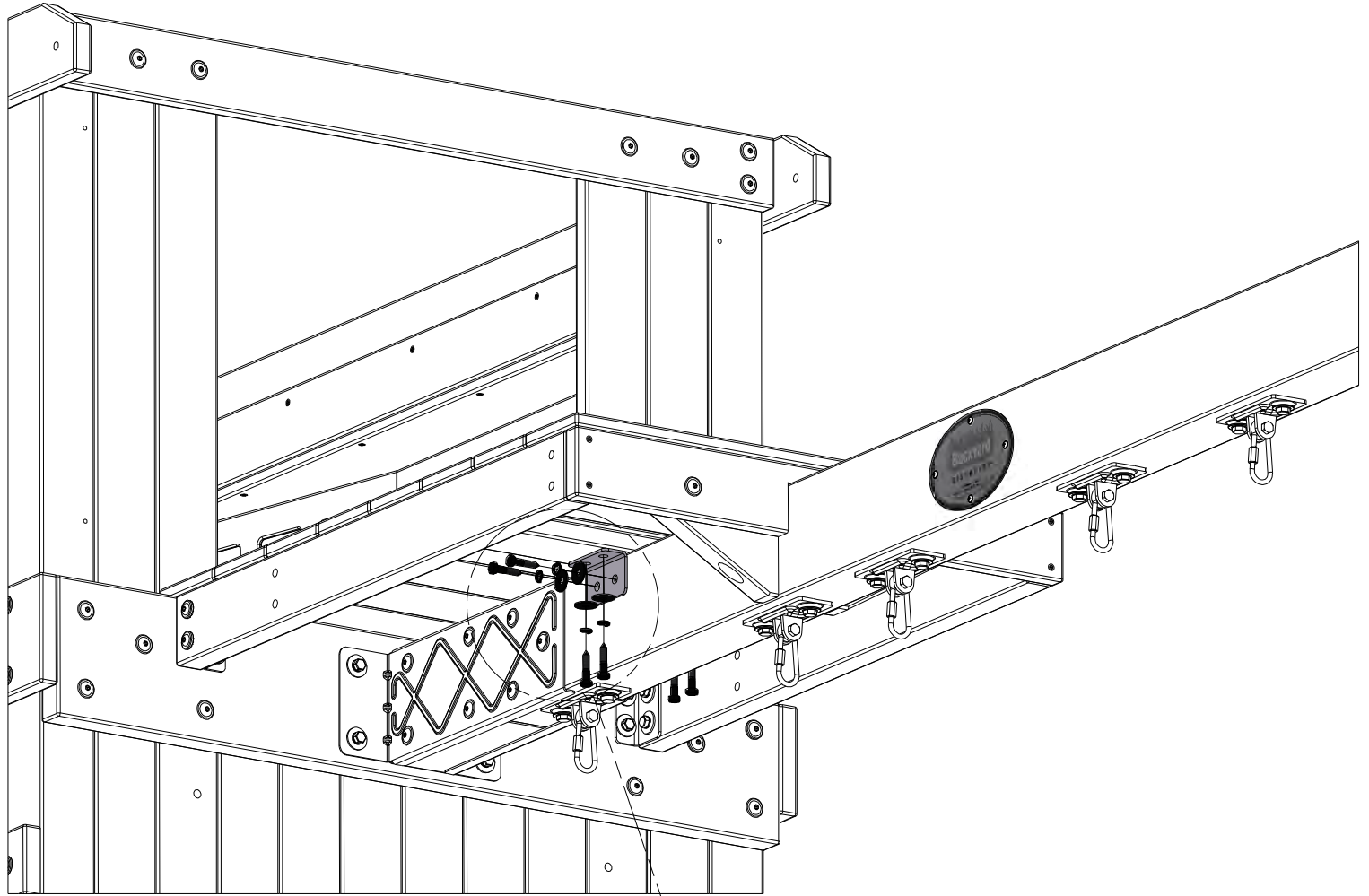


# STEP 41 - FORT ASSEMBLY

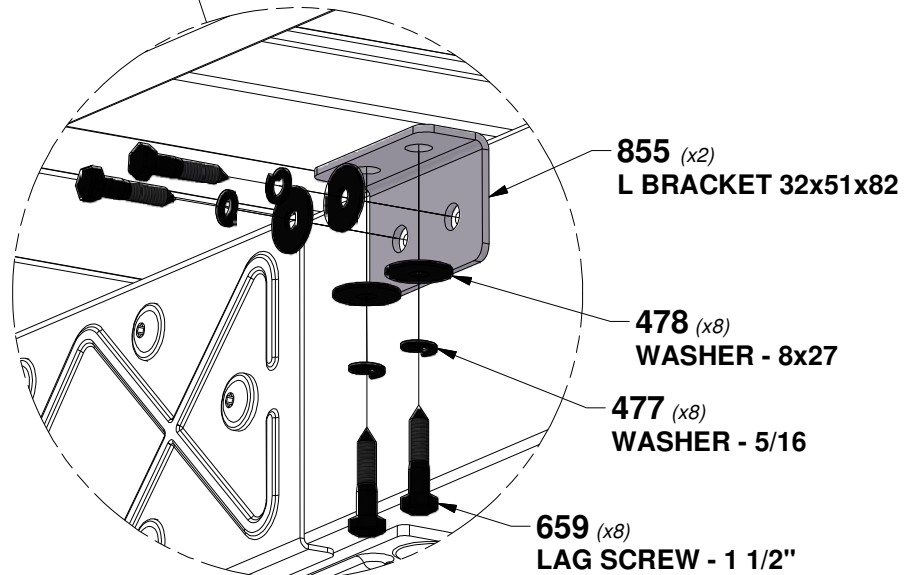
QTY	PART NUMBER	DESCRIPTION
8	H100659	LAG SCREW HEX 5/16x1 1/2 BLK
8	H100477	WASHER SPLIT 5/16 BLK
8	H100478	WASHER FLAT 8x27 BLK



**A4M00855**  
(x2) **L BRACKET 51x32x82x3.175**



**NOTE:**  
**USING BRACKET AS A GUIDE,**  
**DRILL 3/16" (5 mm) X 1" DEEP**  
**PILOT HOLES. 2 PLACES**  
**EACH SIDE.**



# STEP 42 - FORT ASSEMBLY

QTY	PART NUMBER	DESCRIPTION
8	H100195	BOLT WH 5/16x2 3/4 BLK
8	H100198	WASHER LOCK EXT 8x19 BLK
4	H100379	T-NUT 5/16 BLK

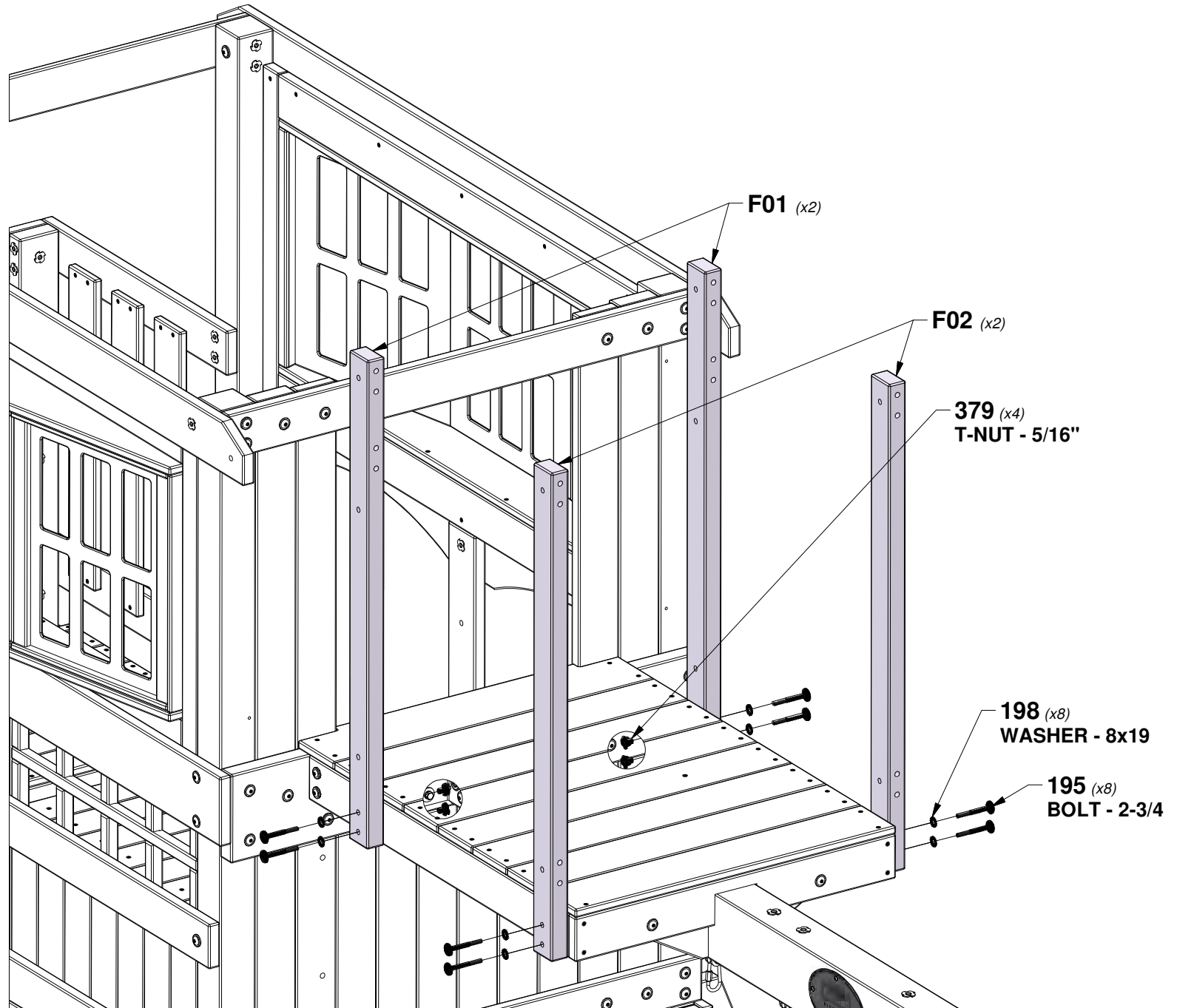


**F01 CROWS NEST WALL SUPPORT - W4L18983**  
(x2) 1 3/8"x2 3/8"x37 1/2" (36x60x952)



**F02 CROWS NEST WALL SUPPORT - W4L18984**  
(x2) 1 3/8"x2 3/8"x37 1/2" (36x60x952)

**TIP:**  
**INSTALL T-NUTS IN WOOD FIRST**



# STEP 43 - FORT ASSEMBLY



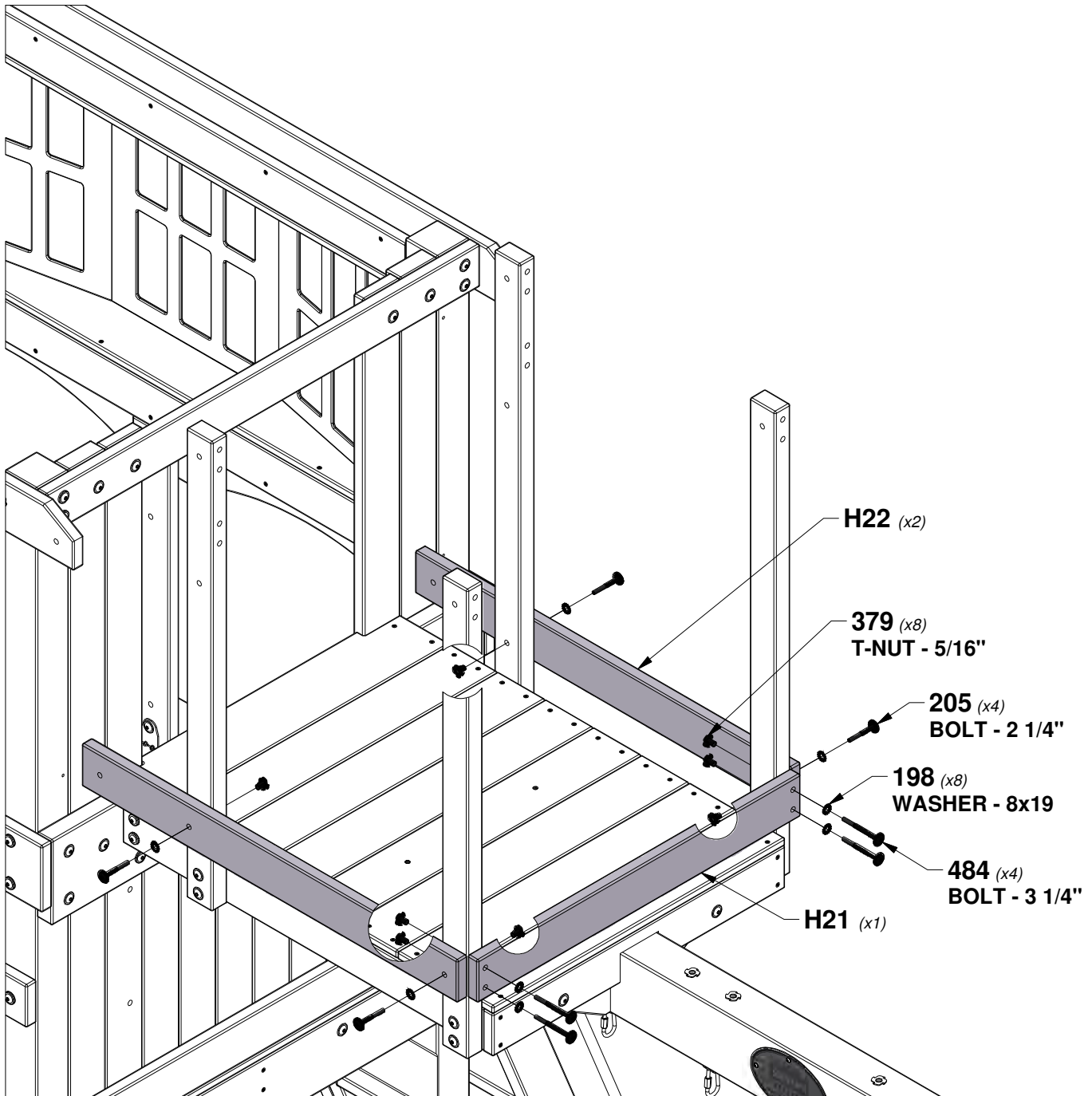
**H21 CROWS NEST WALL RAIL - W4L18986**  
(x1) 1"x3 3/8"x29 7/8" (24x86x758)



**H22 CROWS NEST WALL RAIL - W4L18987**  
(x2) 1"x3 3/8"x34 3/4" (24x86x882)

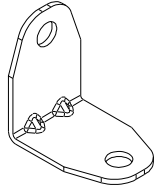
QTY	PART NUMBER	DESCRIPTION
4	H100205	BOLT WH 5/16x2 1/4 BLK
4	H100484	BOLT WH 5/16x3 1/4 BLK
8	H100198	WASHER LOCK EXT 8x19 BLK
8	H100379	T-NUT 5/16 BLK

**TIP:**  
**INSTALL T-NUTS IN WOOD FIRST**



# STEP 44 - FORT ASSEMBLY

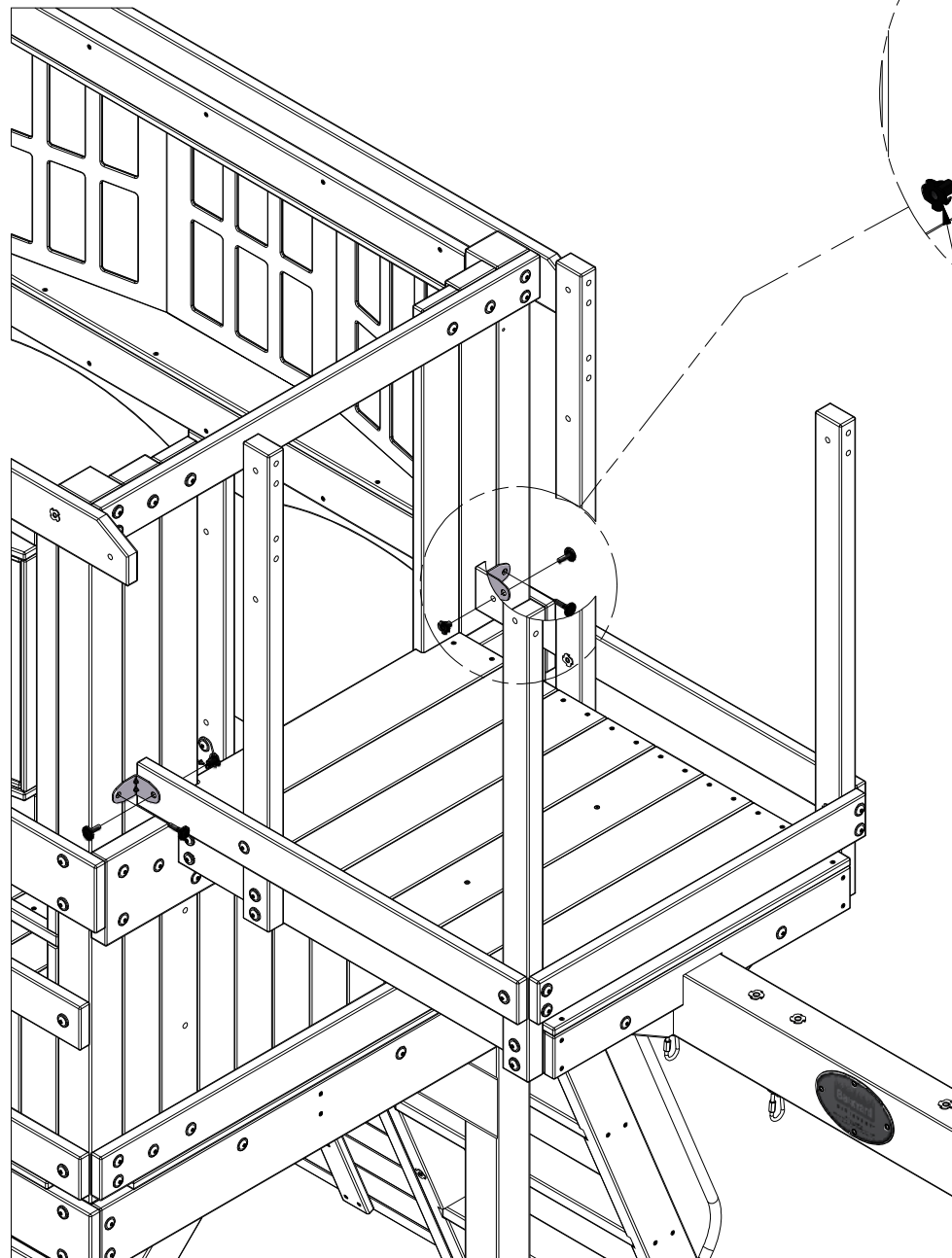
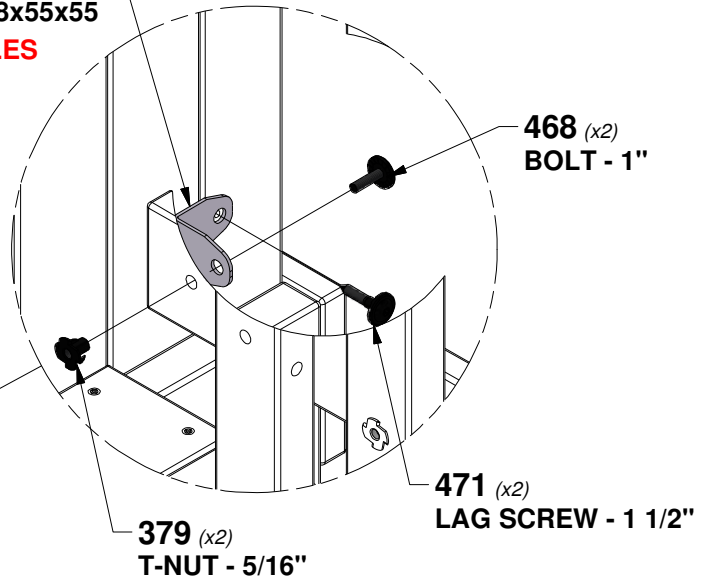
QTY	PART NUMBER	DESCRIPTION
2	H100468	BOLT WH 5/16x1 BLK
2	H100471	LAG SCREW WH 5/16x1 1/2 BLK
2	H100379	T-NUT 5/16 BLK



**A4M01047**  
(x2) **L BRACKET 2.5x38x55x55**

**TIP:**  
**INSTALL T-NUTS IN WOOD FIRST**

**1047** (x2)  
**L BRACKET 2.5x38x55x55**  
**ALIGN PILOT HOLES**



# STEP 45 - FORT ASSEMBLY

QTY	PART NUMBER	DESCRIPTION
16	H100198	WASHER LOCK EXT 8x19 BLK
4	H100205	BOLT WH 5/16x2 1/4 BLK
16	H100379	T-NUT 5/16 BLK
8	H100416	BOLT WH 5/16x3 BLK
4	H100484	BOLT WH 5/16x3 1/4 BLK



**H21 CROWS NEST WALL RAIL - W4L18986**  
(x1) 1"x3 3/8"x29 7/8" (24x86x758)

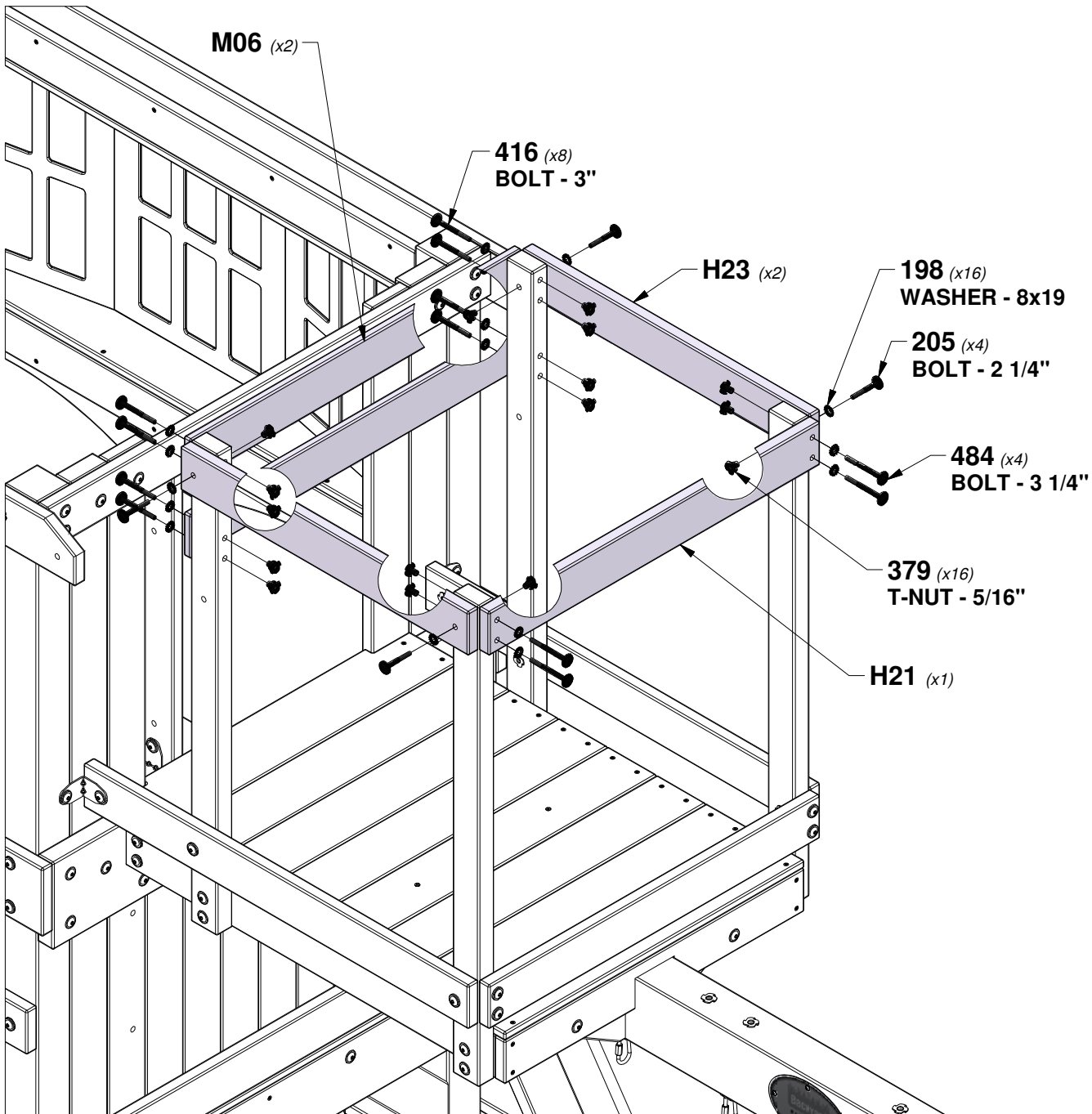


**H23 CROWS NEST WALL RAIL - W4L18989**  
(x2) 1"x3 3/8"x26" (24x86x660)



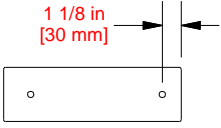
**M06 CROWS NEST WALL RAIL - W4L18988**  
(x2) 5/8"x3 3/8"x29 7/8" (16x86x758)

**TIP:**  
INSTALL T-NUTS IN WOOD FIRST

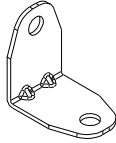


# STEP 46 - FORT ASSEMBLY

QTY	PART NUMBER	DESCRIPTION
2	H100198	WASHER LOCK EXT 8x19 BLK
2	H100205	BOLT WH 5/16x2 1/4 BLK
4	H100379	T-NUT 5/16 BLK
2	H100468	BOLT WH 5/16x1 BLK
2	H100471	LAG SCREW WH 5/16x1 1/2 BLK

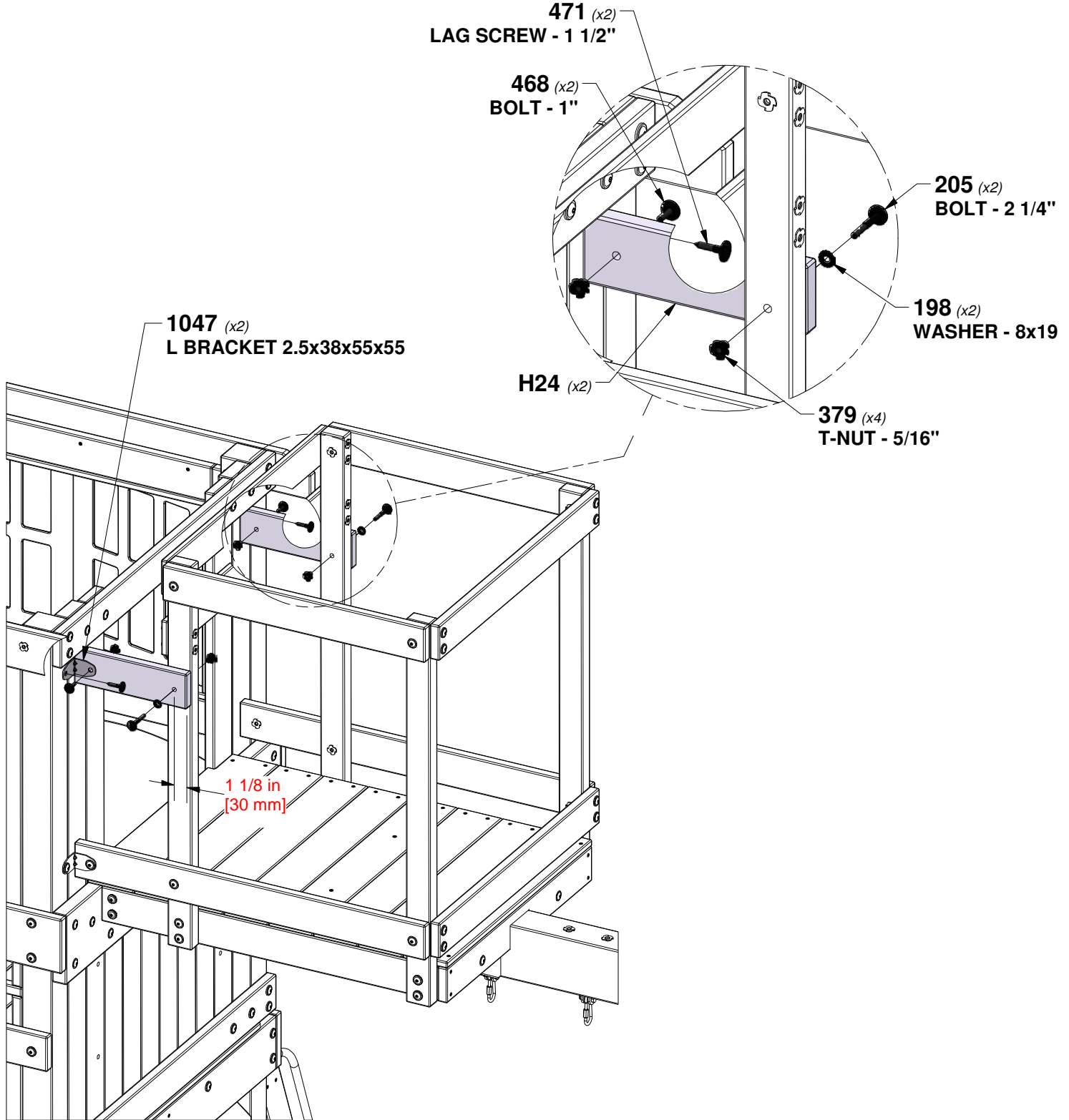


**H24 CROWS NEST WALL RAIL - W4L18990**  
(x2) 1"x3 3/8"x11 1/8" (24x86x282)



**A4M01047**  
(x2) **L BRACKET 2.5x38x55x55**

**TIP:**  
**INSTALL T-NUTS IN WOOD FIRST**

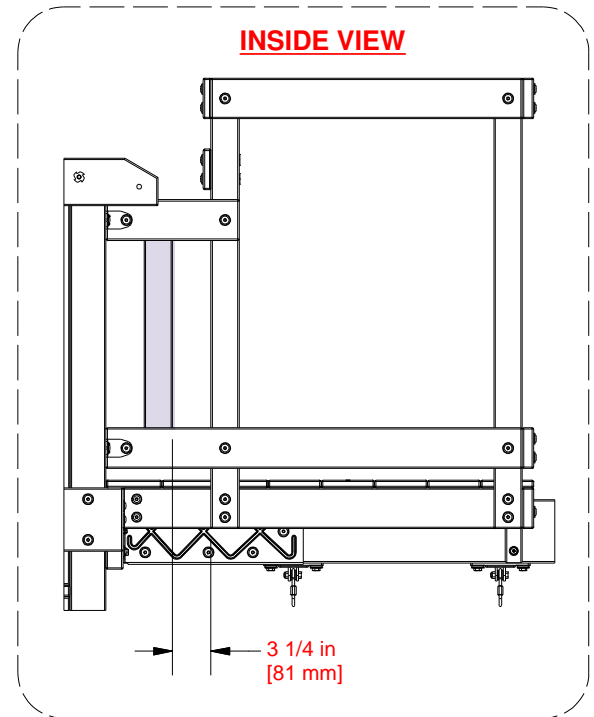
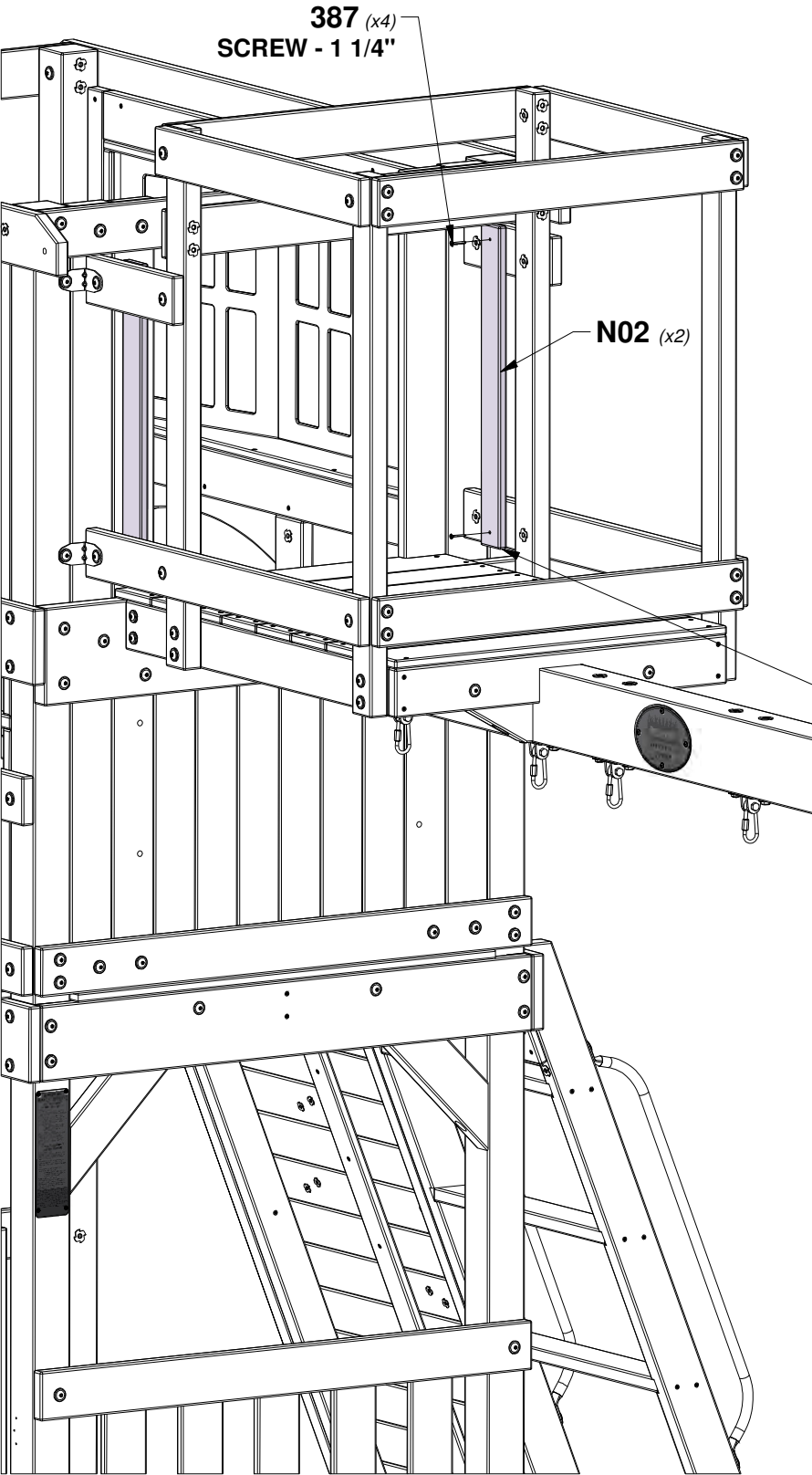


# STEP 47 - FORT ASSEMBLY

QTY	PART NUMBER	DESCRIPTION
4	H100387	SCREW PFH 8x1 1/4 BLK



**N02 CROWS NEST WALL BOARD - W4L18992**  
(x2) 5/8"x2 3/8"x22 3/8" (16x60x568)

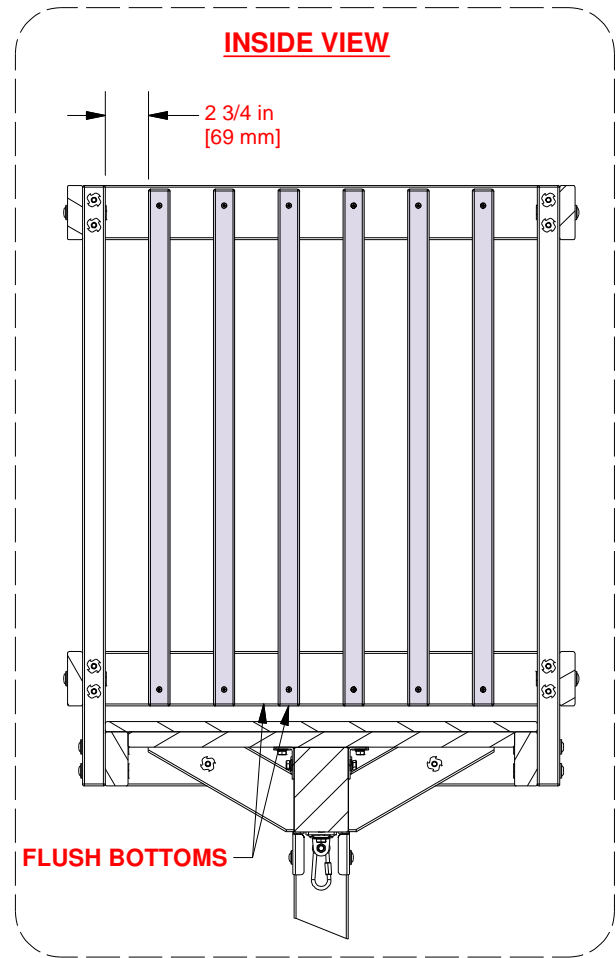
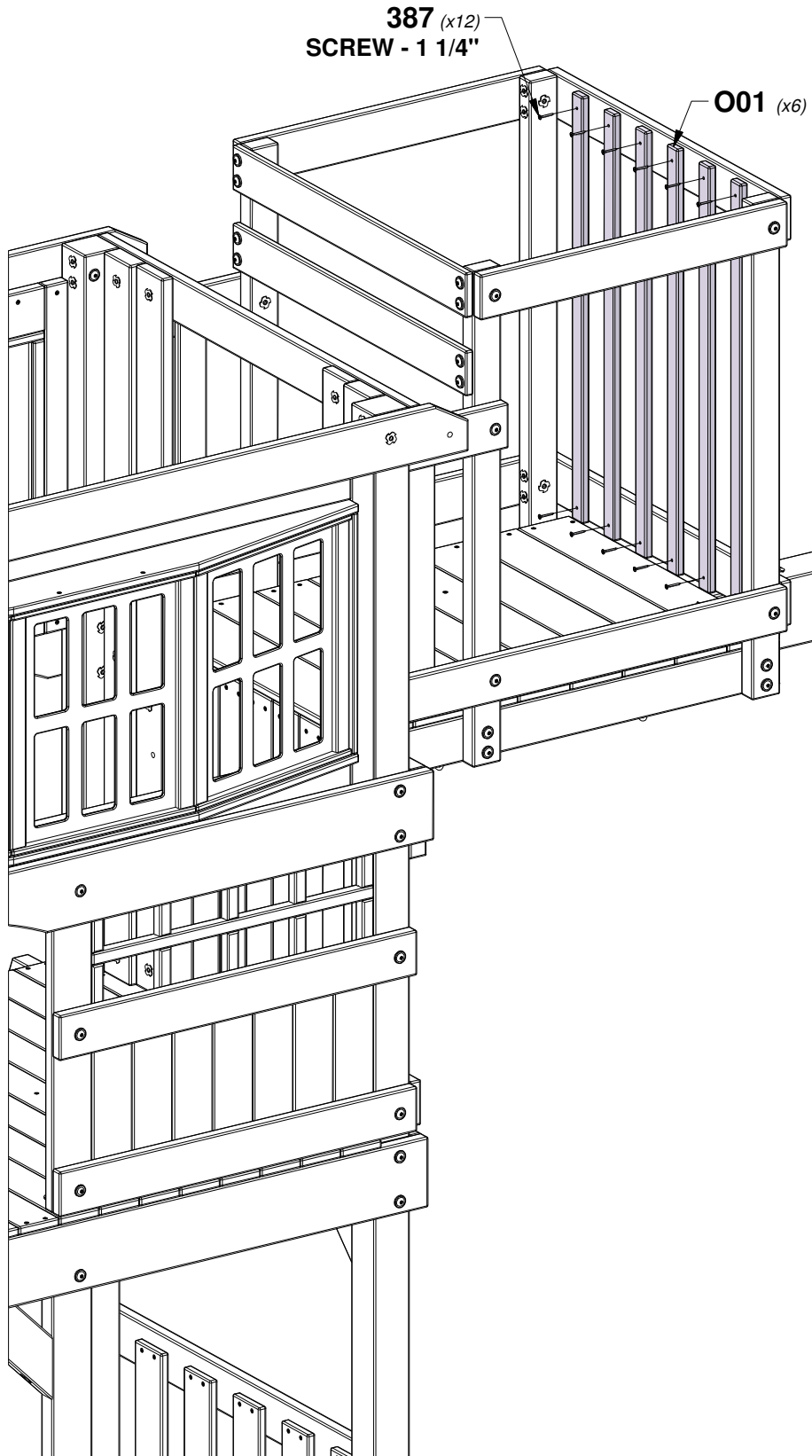




# STEP 48 - FORT ASSEMBLY

QTY	PART NUMBER	DESCRIPTION
12	H100387	SCREW PFH 8x1 1/4 BLK

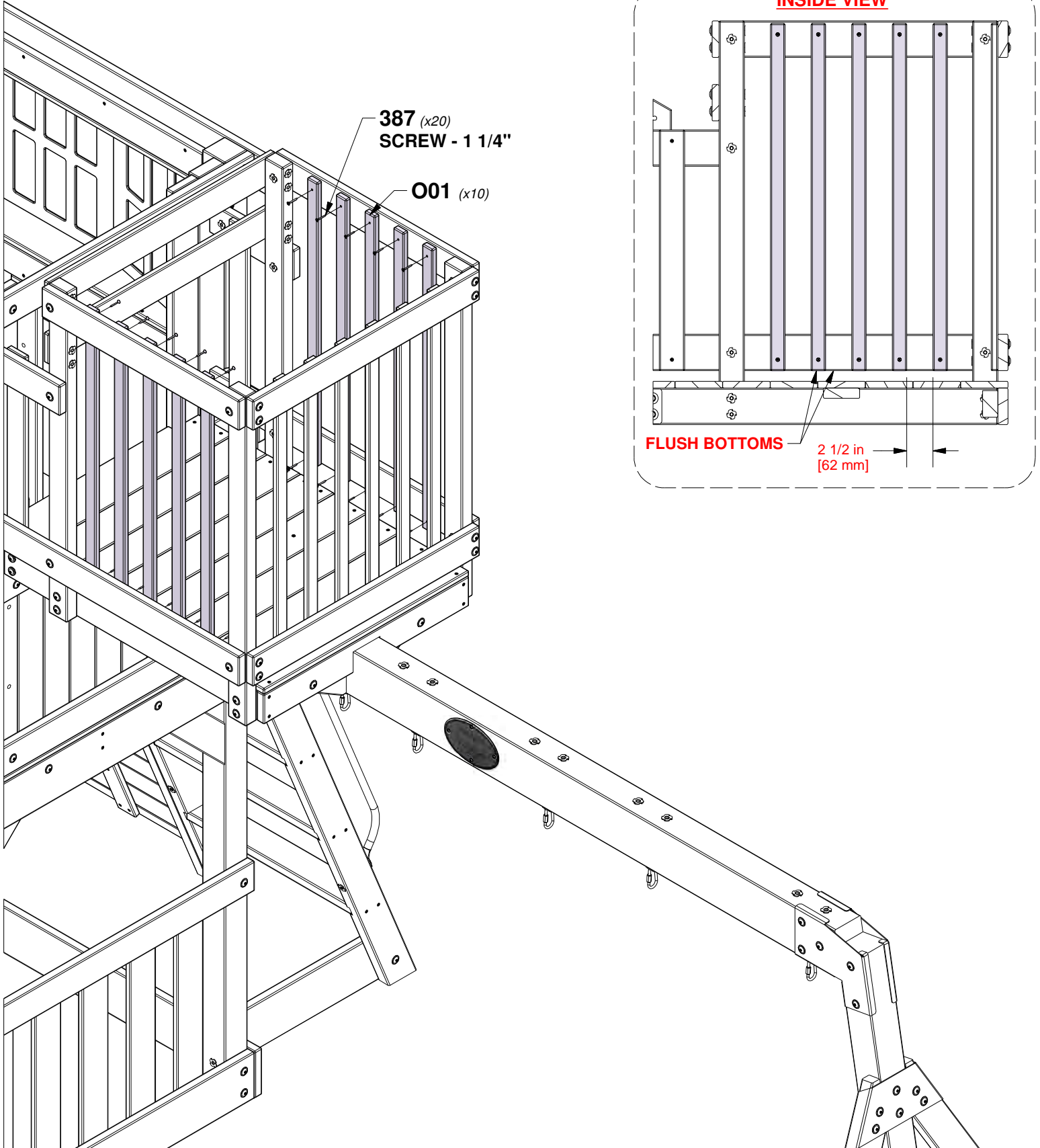
**001 CROWS NEST WALL BOARD - W4L18991**  
(x6) 5/8"x1 3/8"x32 1/4" (16x34x819)



# STEP 49 - FORT ASSEMBLY

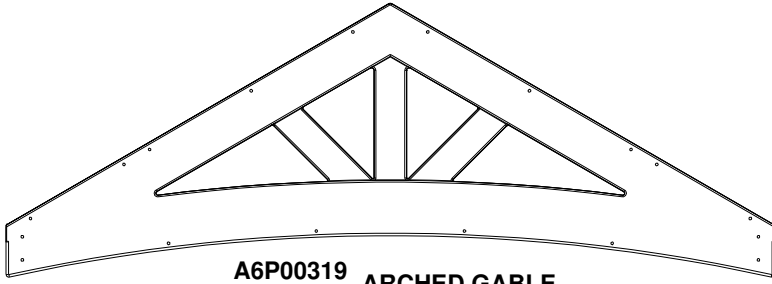
QTY	PART NUMBER	DESCRIPTION
20	H100387	SCREW PFH 8x1-1/4 BLK

**O01 CROWS NEST WALL BOARD - W4L18991**  
(x10) 5/8"x1 3/8"x32 1/4" (16x34x819)

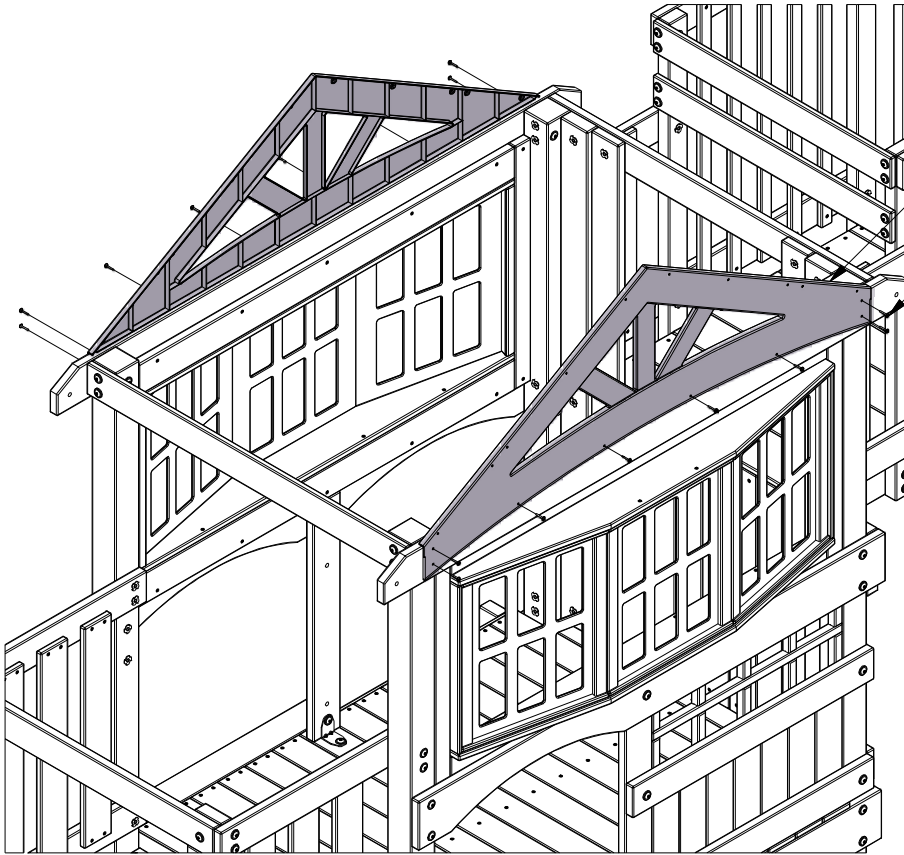


# STEP 50 - FORT ASSEMBLY

QTY	PART NUMBER	DESCRIPTION
16	H100797	SCREW PWH 8x1 BLK

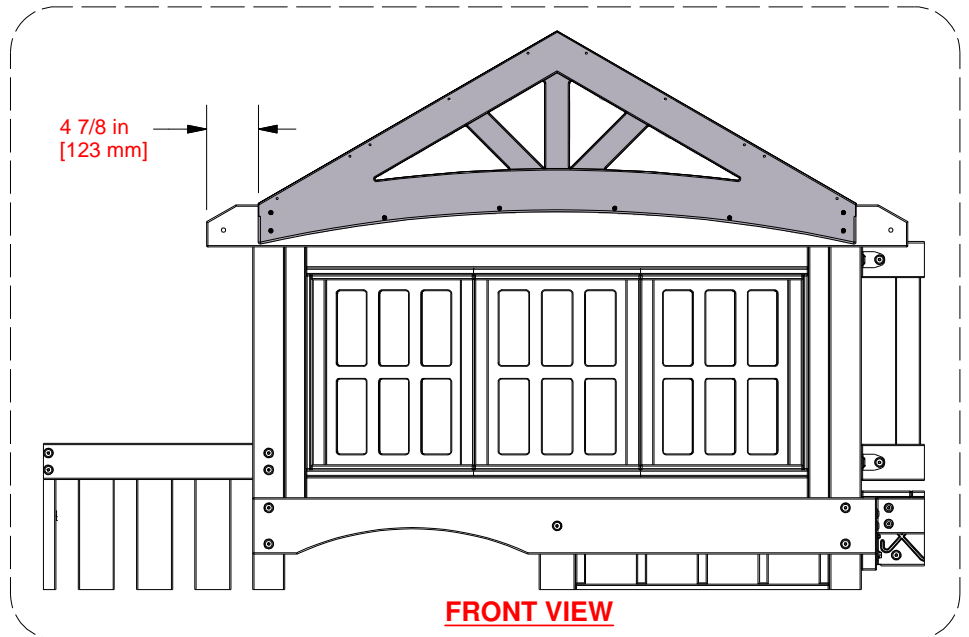


**A6P00319**  
*(x2)* **ARCHED GABLE**



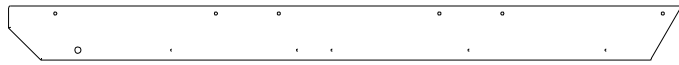
**319** *(x2)*  
**ARCHED GABLE**

**797** *(x16)*  
**SCREW - 1"**



**FRONT VIEW**

# STEP 51 - FORT ASSEMBLY



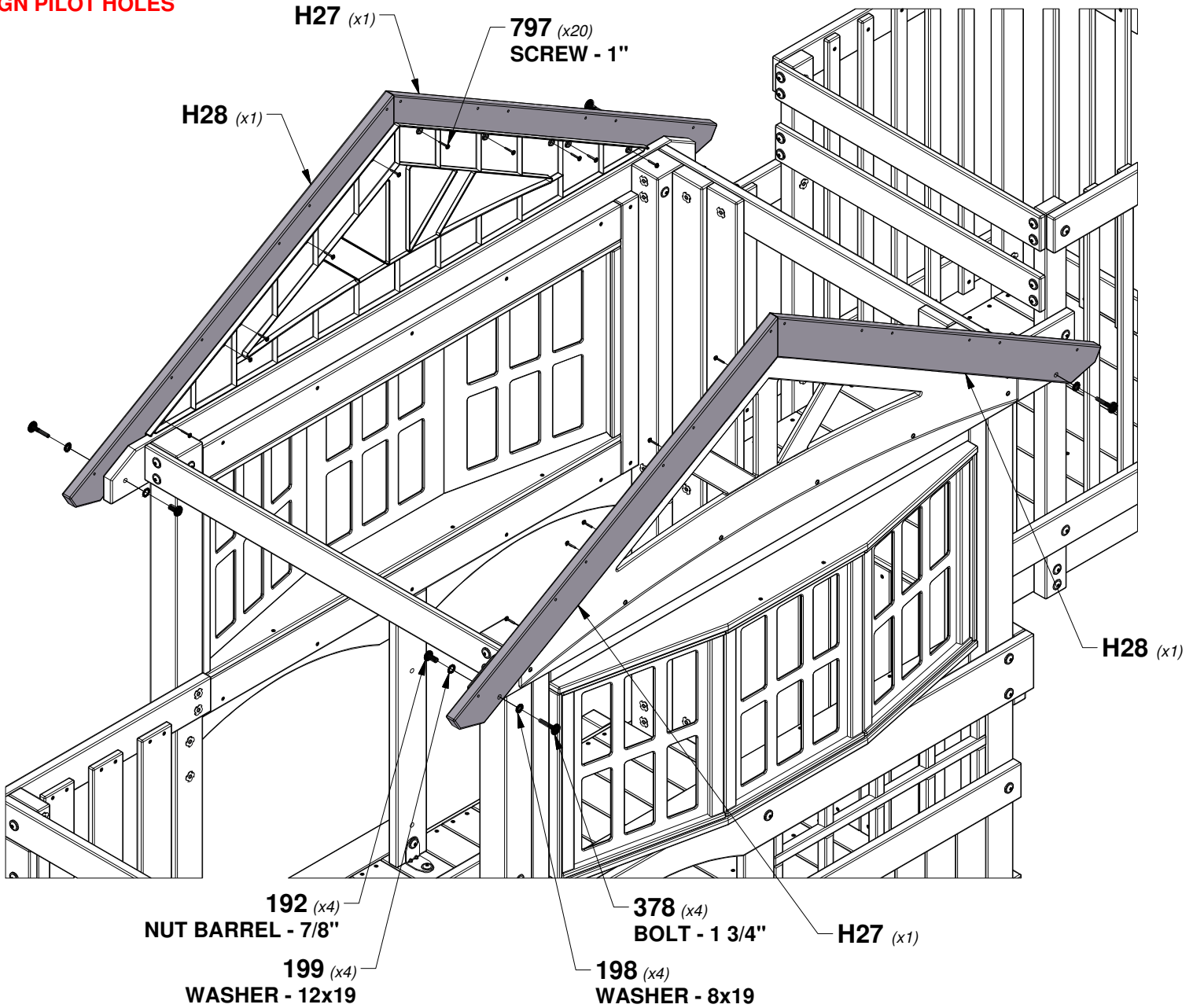
**H27 LEFT ROOF RAFTER - W4L18993**  
(x2) 1"x3 3/8"x42 1/8" (24x86x1069)



**H28 RIGHT ROOF RAFTER - W4L18994**  
(x2) 1"x3 3/8"x42 1/8" (24x86x1069)

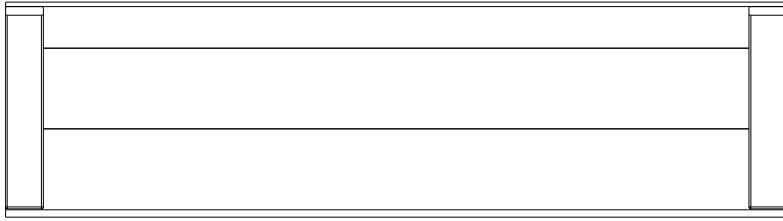
QTY	PART NUMBER	DESCRIPTION
4	H100192	NUT BARREL WH 5/16x7/8 BLK
4	H100198	WASHER LOCK EXT 8x19 BLK
4	H100199	WASHER LOCK EXT 12x19 BLK
4	H100378	BOLT WH 5/16x1 3/4 BLK
20	H100797	SCREW PWH 8x1 BLK

**TIP:**  
ALIGN PILOT HOLES

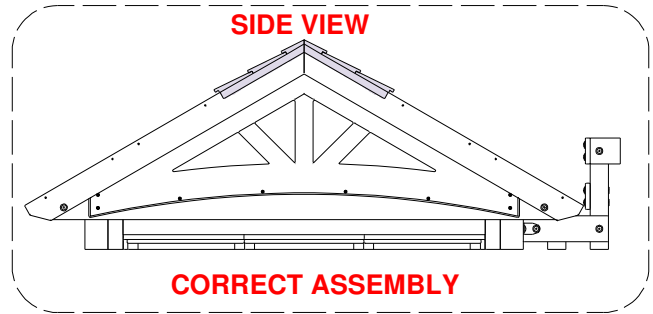


# STEP 52 - FORT ASSEMBLY

QTY	PART NUMBER	DESCRIPTION
8	H100391	SCREW PFH 8x2 BLK



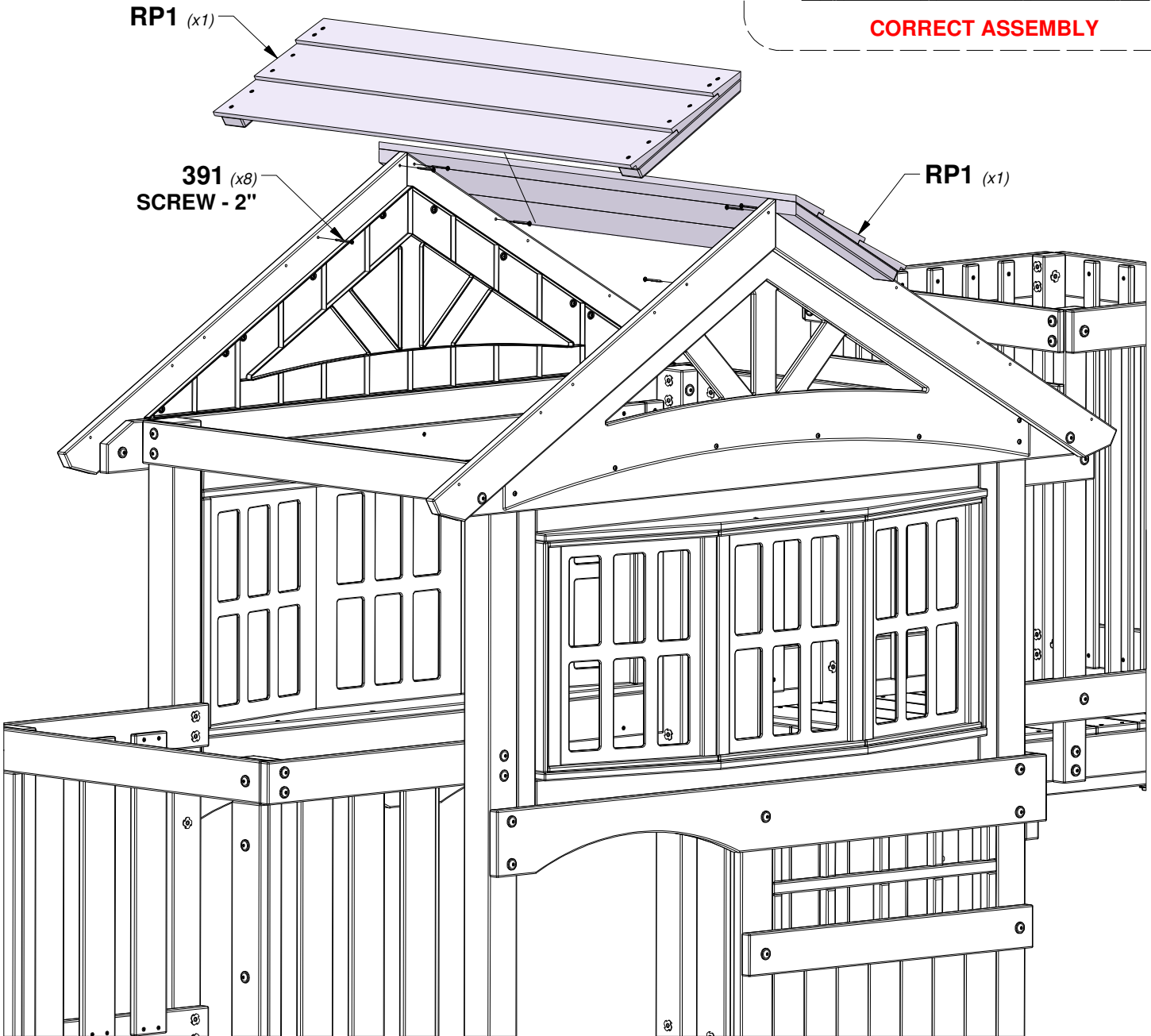
**RP1 PEAK ROOF PANEL - W2A03795**  
 (x2) 1 5/8"x13 3/8"x48 7/8" (42x341x1241)



RP1 (x1)

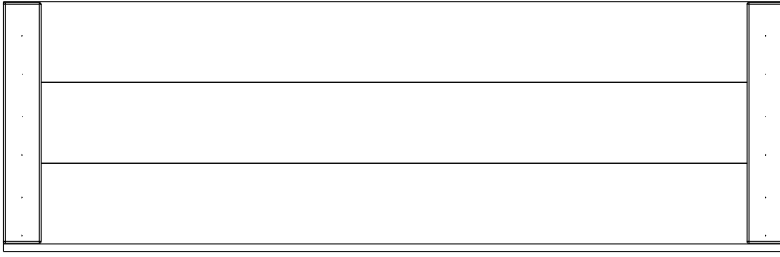
391 (x8)  
 SCREW - 2"

RP1 (x1)

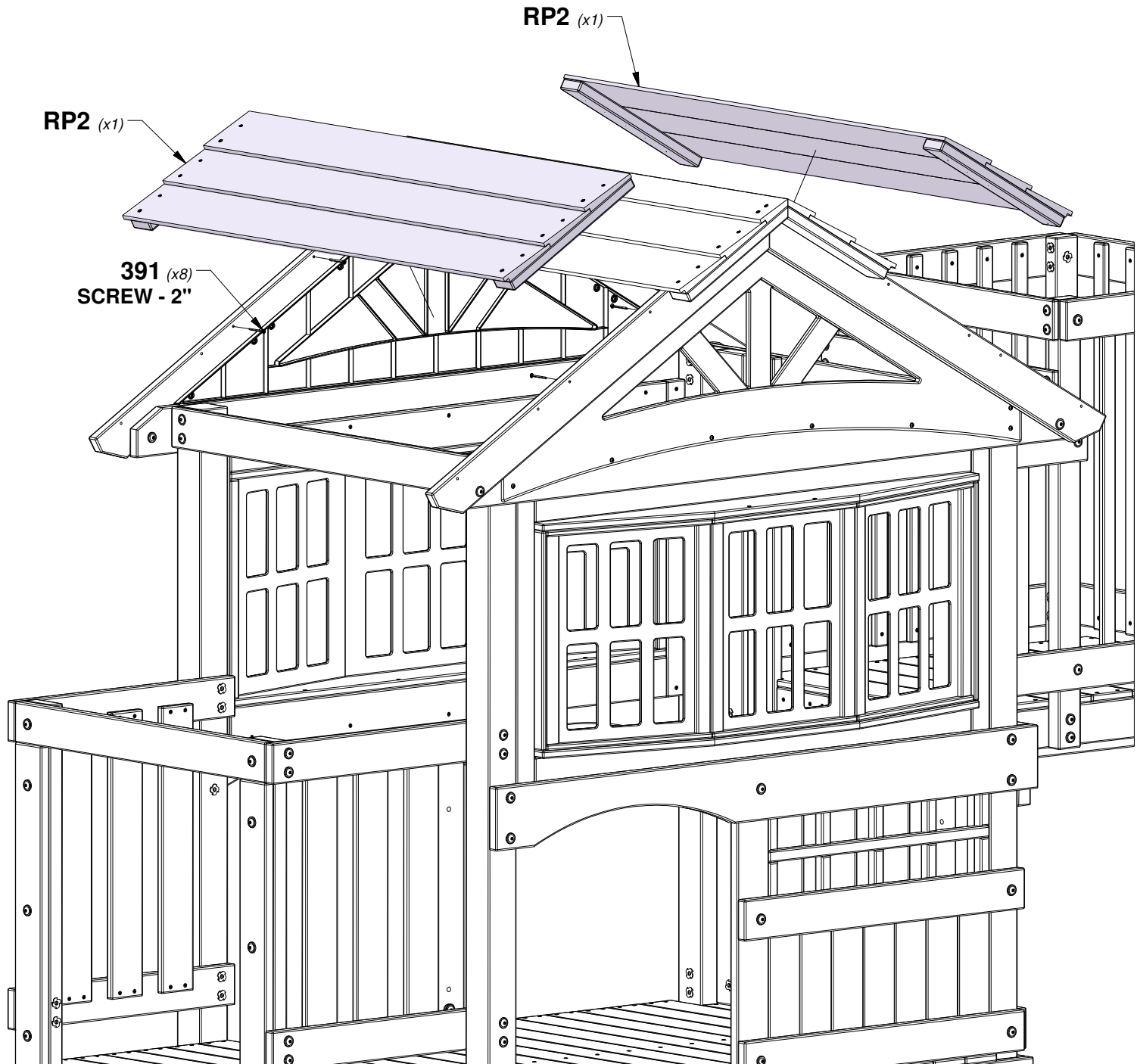


# STEP 53 - FORT ASSEMBLY

QTY	PART NUMBER	DESCRIPTION
8	H100391	SCREW PFH 8x2 BLK

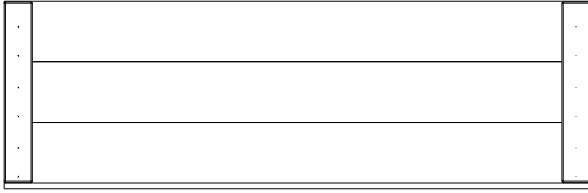


**RP2 ROOF PANEL - W2A03794**  
(x2) 1 5/8"x15 5/8"x59 3/8" (42x396x1241)

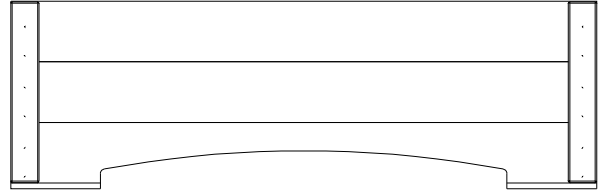


# STEP 54 - FORT ASSEMBLY

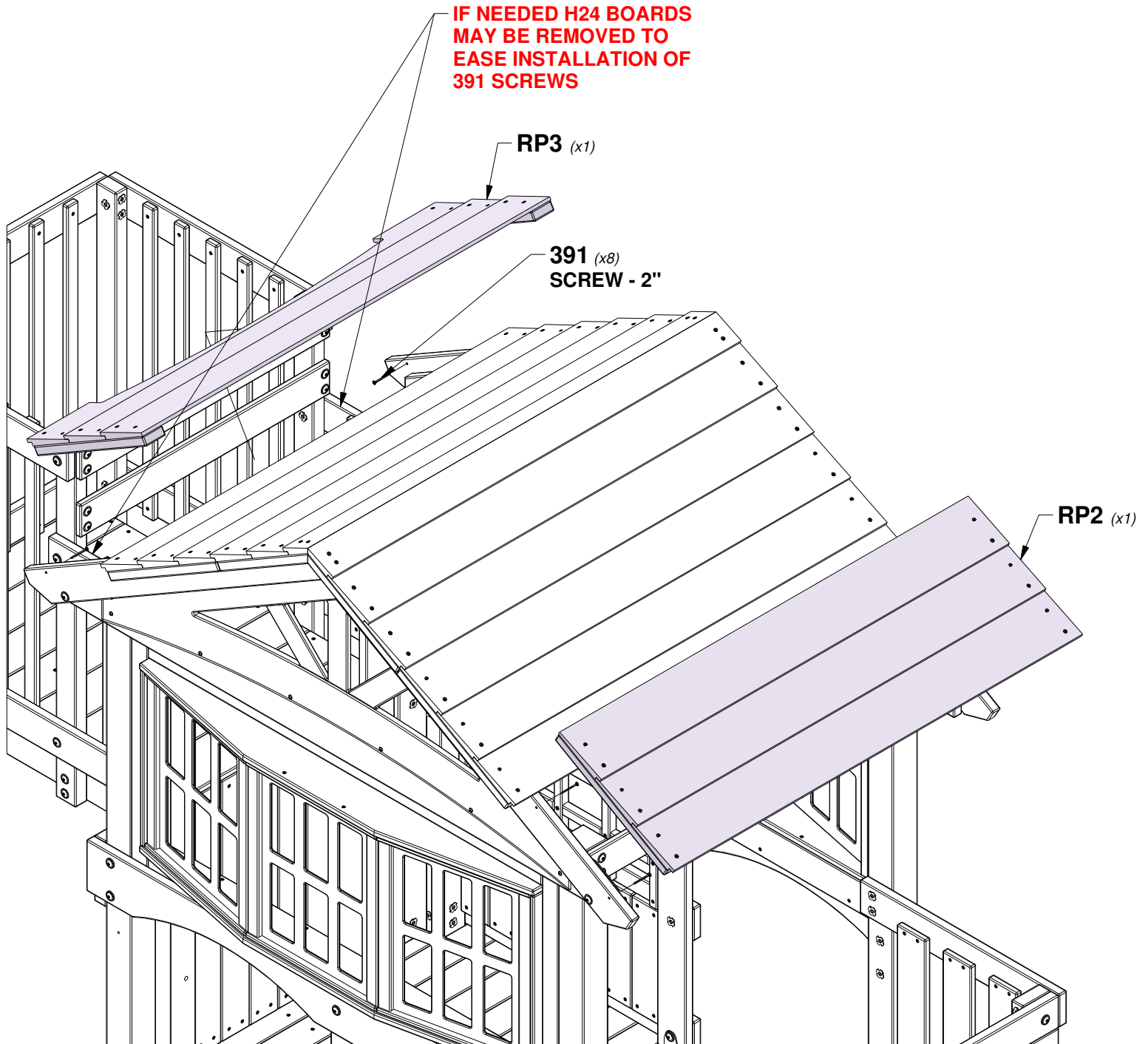
QTY	PART NUMBER	DESCRIPTION
8	H100391	SCREW PFH 8x2 BLK



**RP2 ROOF PANEL - W2A03794**  
 (x1) 1 5/8"x15 5/8"x59 3/8" (42x396x1241)

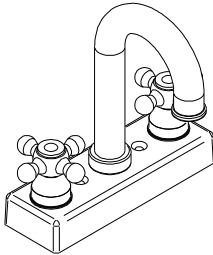


**RP3 ROOF PANEL - W2A03796**  
 (x1) 1 5/8"x15 5/8"x59 3/8" (42x396x1241)



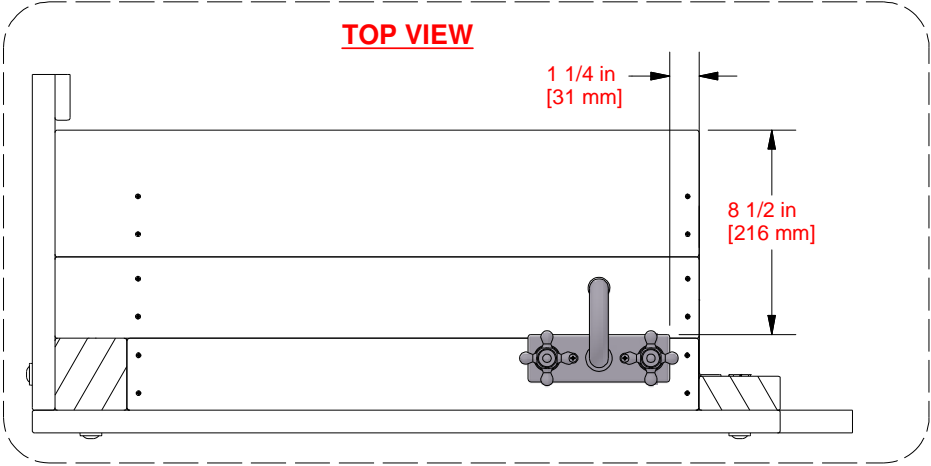
# STEP 55 - FORT ASSEMBLY

QTY	PART NUMBER	DESCRIPTION
2	H100200	SCREW PFH 8x1-1/2 BLK

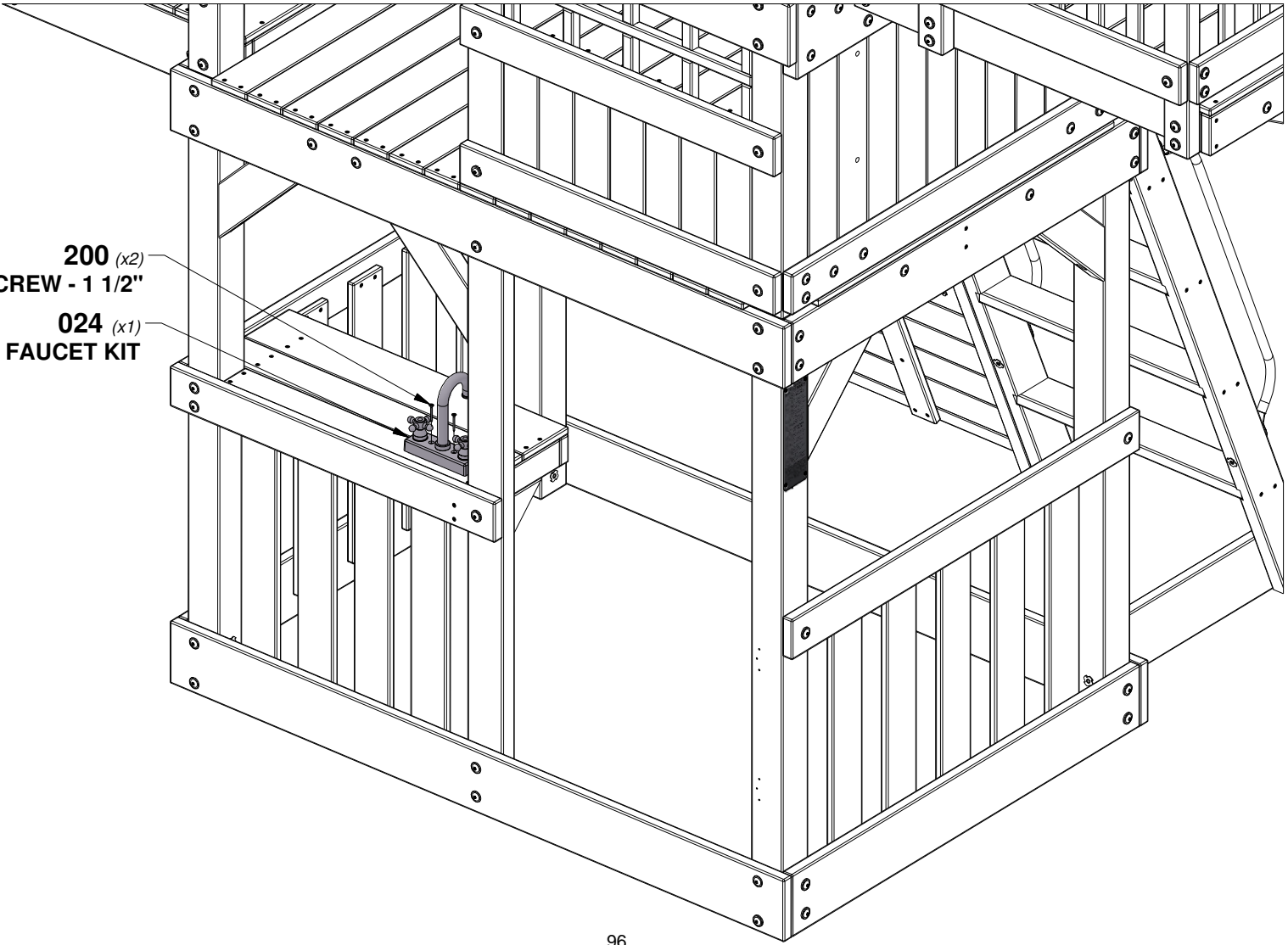


**A6P00024**  
(x1) **FAUCET KIT**

### TOP VIEW



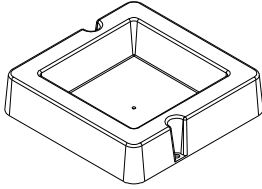
- 200 (x2)  
SCREW - 1 1/2"
- 024 (x1)  
FAUCET KIT



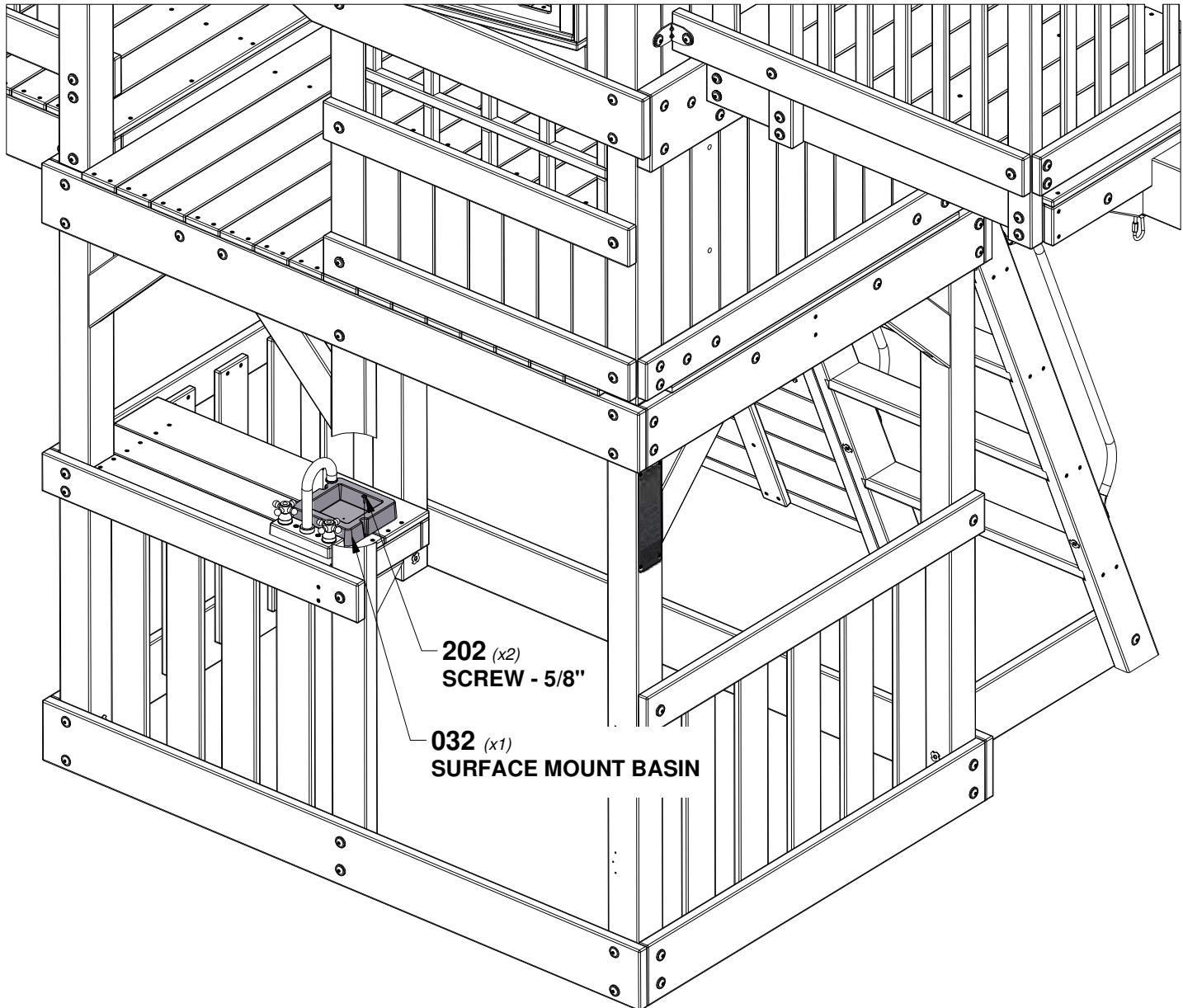
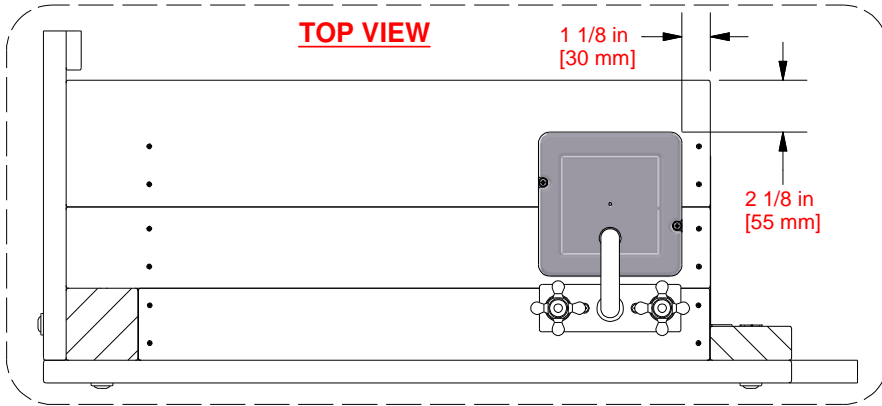


# STEP 56 - FORT ASSEMBLY

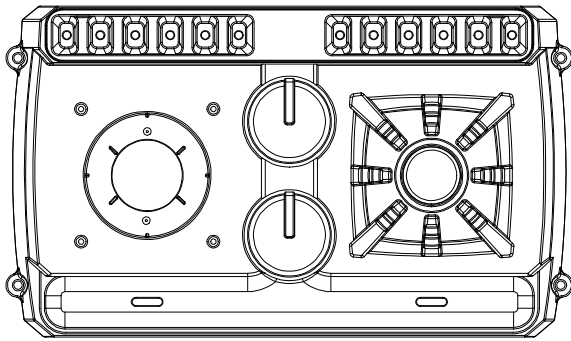
QTY	PART NUMBER	DESCRIPTION
2	H100202	SCREW PWH 8x5/8 BLK



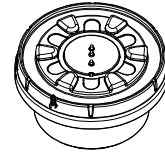
**A6P00032**  
*(x1)* **SURFACE MOUNT BASIN**



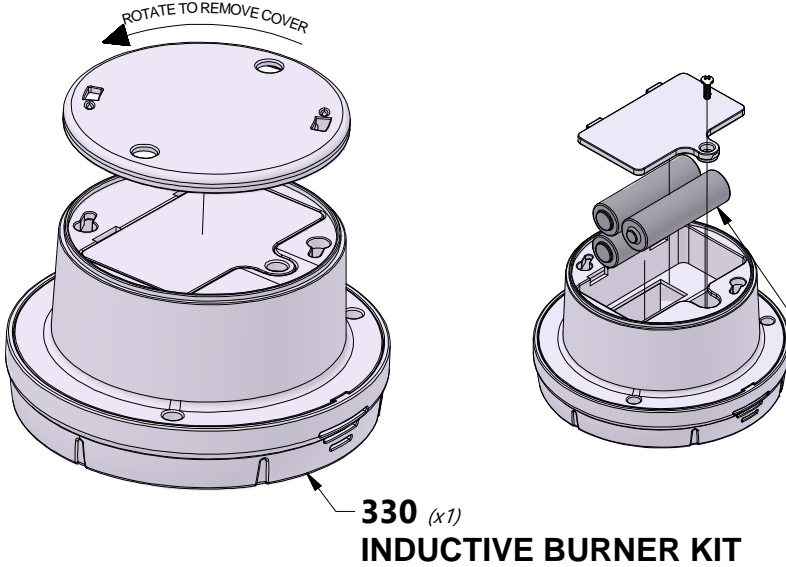
# STOVE ASSEMBLY



**A6P00335**  
(x1) **STOVE BASE**



**A6P00330**  
(x1) **INDUCTIVE BURNER KIT**

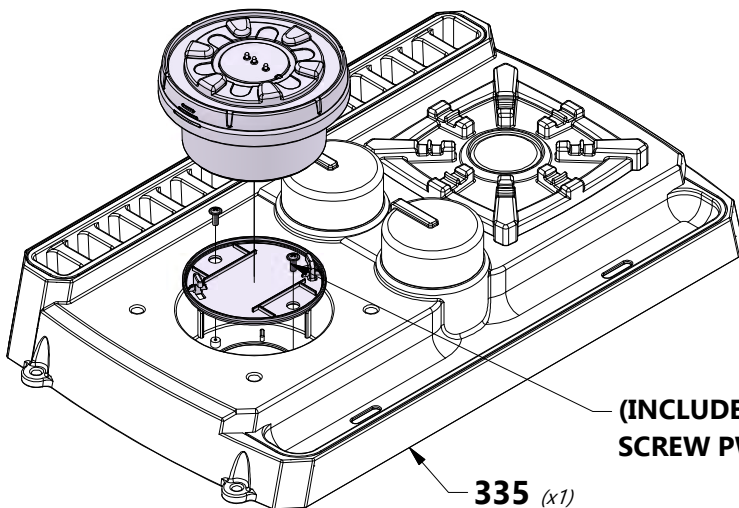


**330** (x1)  
**INDUCTIVE BURNER KIT**

**NOTE:** FCC LABEL

- DO NOT MIX OLD AND NEW BATTERIES.
- DO NOT MIX ALKALINE, STANDARD (CARBON-ZINC), OR RECHARGEABLE (NI-CAD, NI-MH, ETC.) BATTERIES.
- NON-RECHARGEABLE BATTERIES ARE NOT TO BE RECHARGED.
- ONLY BATTERIES OF THE SAME OR EQUIVALENT TYPE AS RECOMMENDED ARE TO BE USED.
- BATTERIES ARE TO BE INSERTED WITH THE CORRECT POLARITY.
- EXHAUSTED BATTERIES ARE TO BE REMOVED FROM THE TOY OR IF THE TOY IS TO BE LEFT UNUSED FOR A LONG TIME.
- THE SUPPLY TERMINALS ARE NOT TO BE SHORT-CIRCUITED.
- RECHARGEABLE BATTERIES ARE TO BE REMOVED FROM TOY BEFORE BEING CHARGED.
- RECHARGEABLE BATTERIES ARE ONLY TO BE CHARGED UNDER ADULT SUPERVISION.

"AA" BATTERY (x3)  
(Not Included)



**(INCLUDED WITH KIT)** (x2)  
**SCREW PWH 4x5/16**

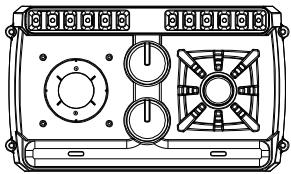
**335** (x1)  
**STOVE BASE**

**NOTE:**  
THIS DEVICE COMPLIES WITH PART 15 OF THE FCC RULES. OPERATION IS SUBJECT TO THE FOLLOWING TWO CONDITIONS:  
(1) THIS DEVICE MAY NOT CAUSE HARMFUL INTERFERENCE,  
(2) THIS DEVICE MUST ACCEPT ANY INTERFERENCE RECEIVED, INCLUDING INTERFERENCE THAT MAY CAUSE UNDESIRABLE OPERATION.

**NOTE:**  
FIRST INSTALL THE COVER REMOVED ABOVE WITH THE INCLUDED HARDWARE. INSTALL THE BURNER BY TWISTING IT CLOCKWISE TO LOCK IT IN PLACE.

# STEP 57 - FORT ASSEMBLY

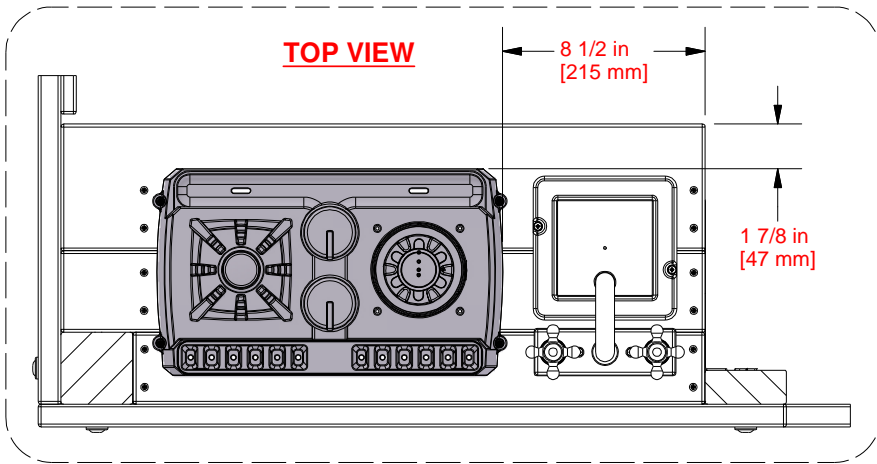
QTY	PART NUMBER	DESCRIPTION
4	H100202	SCREW PWH 8x5/8 BLK



**A6P00335**  
*(x1)* STOVE BASE



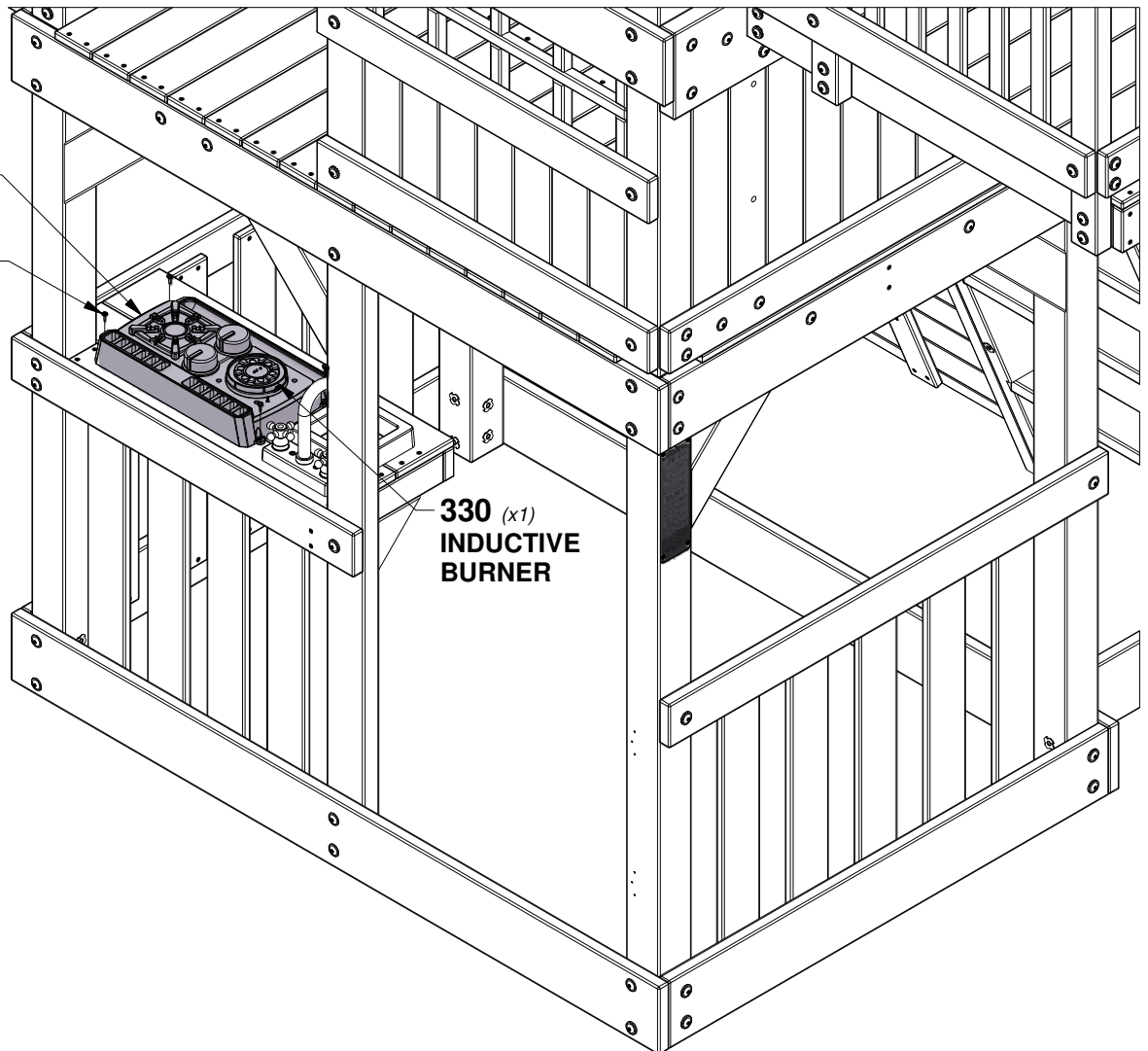
**A6P00330**  
*(x1)* INDUCTIVE BURNER KIT



**335** *(x1)*  
STOVE BASE

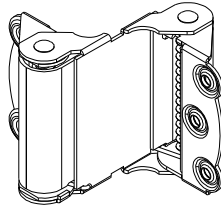
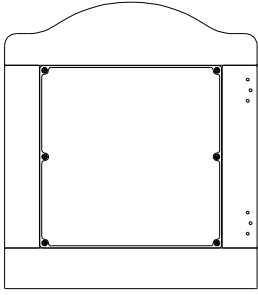
**202** *(x4)*  
SCREW - 5/8"

**330** *(x1)*  
INDUCTIVE BURNER



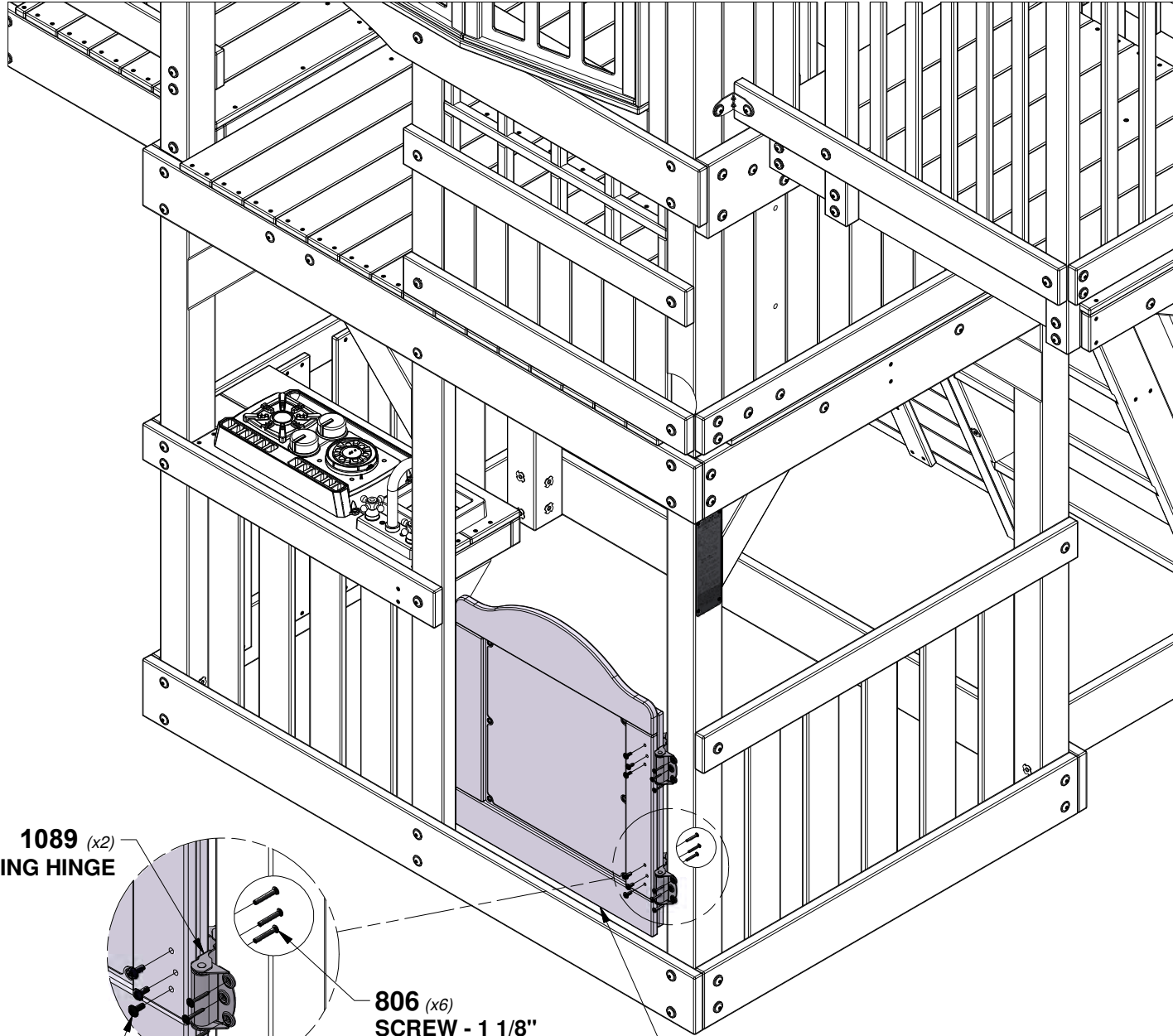
# STEP 58 - FORT ASSEMBLY

QTY	PART NUMBER	DESCRIPTION
6	H100797	SCREW PWH 8x1 BLK
6	H100806	SCREW POH-MS 8/32x1 1/8 BLK
6	H101272	NUT BARREL PPH 8x32 BLK



**DR1 DOOR ASSEMBLY - W2A03798**  
(x1) 1 1/4"x21 1/16"x23 7/8" (32x535x606)

**A4M01089 SPRING HINGE**  
(x2)



**1089 (x2) SPRING HINGE**

**1272 (x6) NUT BARREL - 1/2"**

**797 (x6) SCREW - 1"**

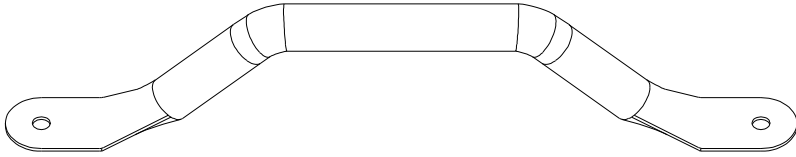
**806 (x6) SCREW - 1 1/8"**

**DR1 (x1)**

**TIP: ALIGN PILOT HOLES**

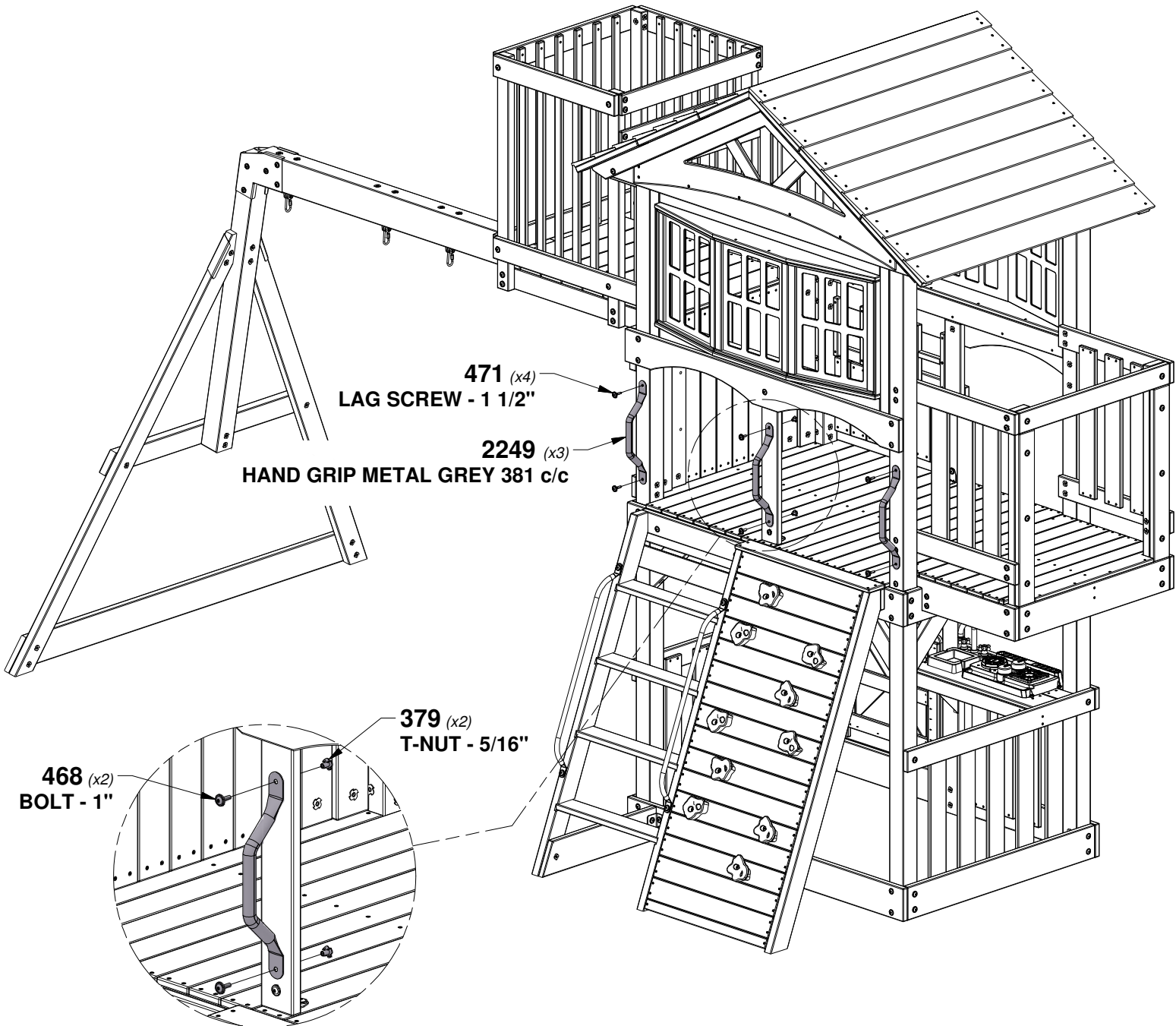
# STEP 59 - FORT ASSEMBLY

QTY	PART NUMBER	DESCRIPTION
2	H100468	BOLT WH 5/16x1 BLK
2	H100379	T-NUT 5/16 BLK
4	H100471	LAG SCREW WH 5/16x1 1/2 BLK



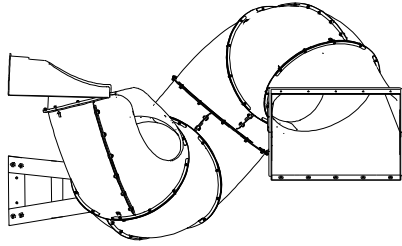
**A4M02249**  
*(x3)* HAND GRIP METAL GREY 381 C/C

**TIP:**  
INSTALL T-NUTS IN WOOD FIRST



# STEP 60 - FORT ASSEMBLY

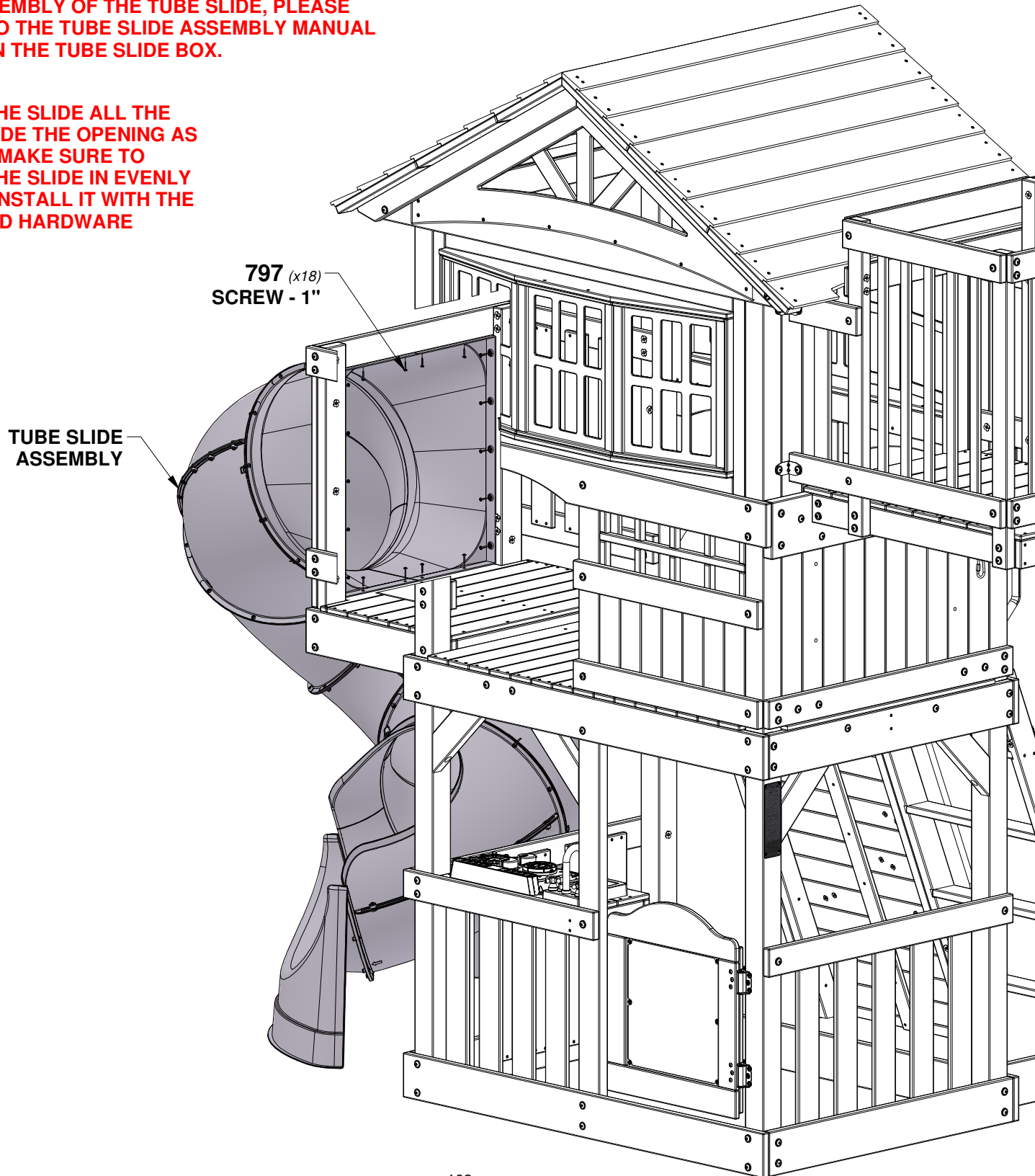
QTY	PART NUMBER	DESCRIPTION
18	H100797	SCREW PWH 8x1 BLK



9230309  
(x1) TUBE SLIDE

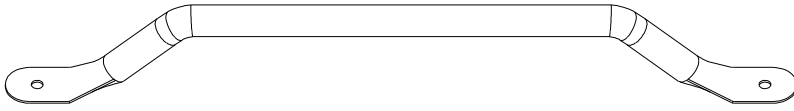
**FOR ASSEMBLY OF THE TUBE SLIDE, PLEASE REFER TO THE TUBE SLIDE ASSEMBLY MANUAL FOUND IN THE TUBE SLIDE BOX.**

**TIP:  
PLACE THE SLIDE ALL THE WAY INSIDE THE OPENING AS SHOWN. MAKE SURE TO PRESS THE SLIDE IN EVENLY AS YOU INSTALL IT WITH THE PROVIDED HARDWARE**



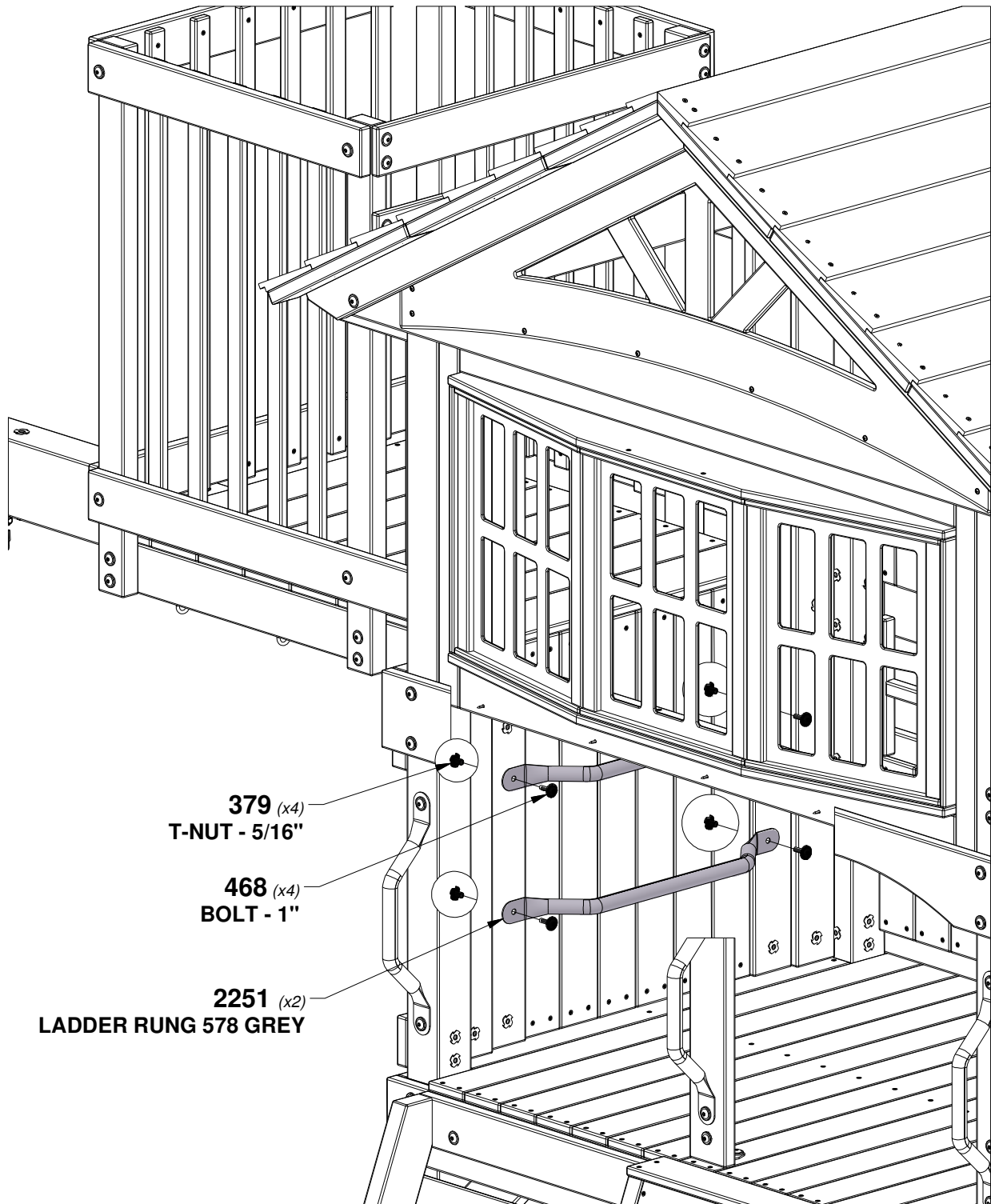
# STEP 61 - FORT ASSEMBLY

QTY	PART NUMBER	DESCRIPTION
4	H100468	BOLT WH 5/16x1 BLK
4	H100379	T-NUT 5/16 BLK



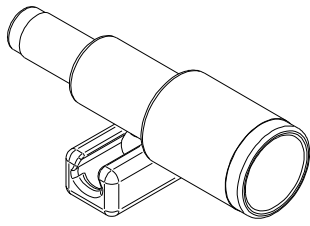
**A4M02251**  
(x2) **LADDER RUNG 578 GREY**

**TIP:**  
**INSTALL T-NUTS IN WOOD FIRST**

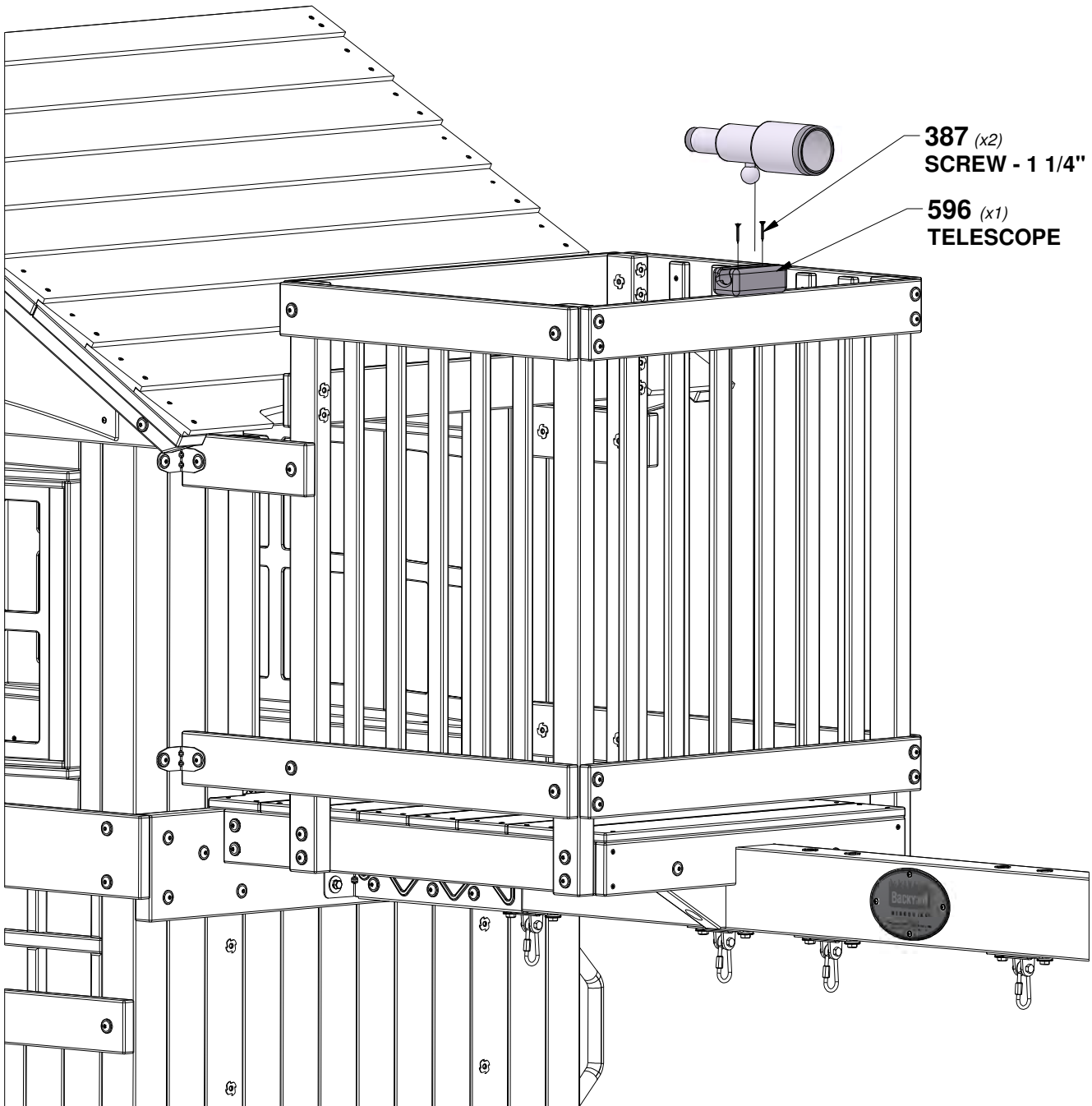


# STEP 62 - FORT ASSEMBLY

QTY	PART NUMBER	DESCRIPTION
2	H100387	SCREW PFH 8x1 1/4 BLK



**A6P00596**  
(x1) **TELESCOPE GREY**



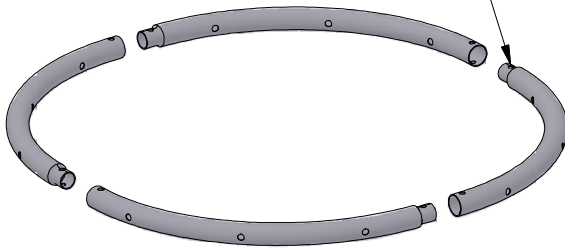


# STEP 1 - WEB SWING ASSEMBLY

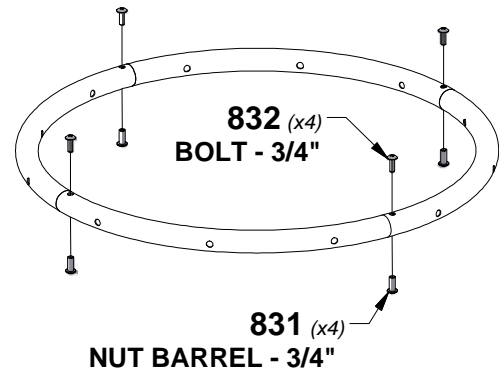
QTY	PART NUMBER	DESCRIPTION
4	H100831	NUT BARREL PTH BLK 1/4x3/4
4	H100832	BOLT PTH 1/4x3/4

**IMPORTANT: SLIDE ROPE LOOPS OVER TUBE ENDS FIRST!**

SLIDE NARROW END OF TUBES INTO LARGER OPENING AFTER SLIDING ROPE LOOPS ONTO TUBES.

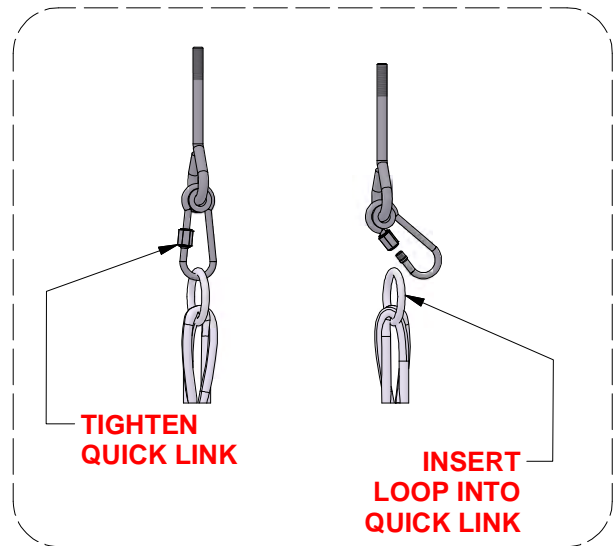


NOTE: ROPE WEBBING NOT SHOWN IN ILLUSTRATION FOR CLARITY.

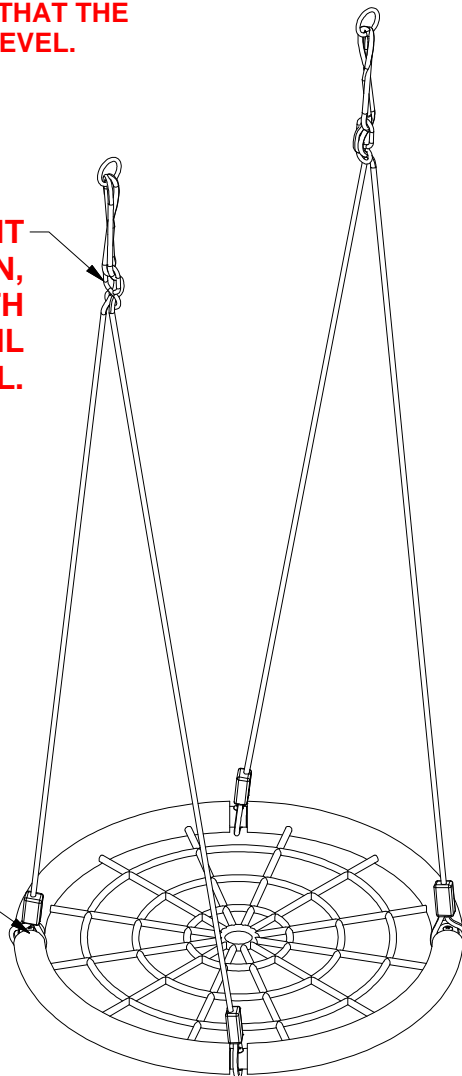


NOTE: IT IS IMPORTANT THAT THE WEB SWING HANG LEVEL.

TO ENSURE STRAIGHT SWINGING MOTION, ADJUST BOTH "S" BRACKETS UNTIL WEB SEAT IS LEVEL.



SWING MUST BE SET AT A MINIMUM OF 8 INCHES OFF THE GROUND WHEN INSTALLED.



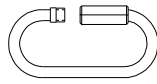
# STEP 63 - FORT ASSEMBLY



**A4M02256**  
(x4) **CHAIN BLACK 51.25"**



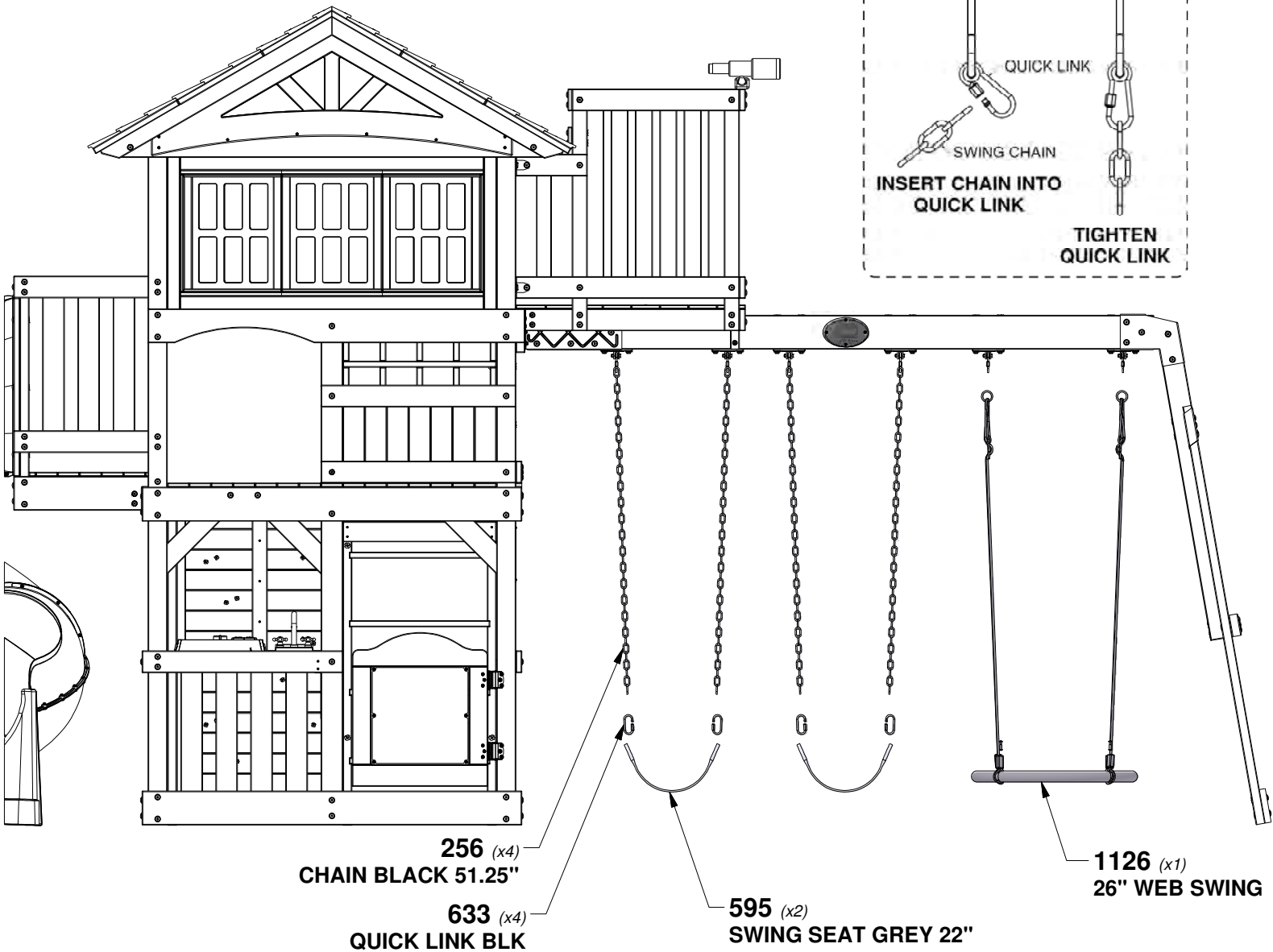
**A6P00595**  
(x2) **SWING SEAT GREY 22"**



**A4M00633**  
(x4) **QUICK LINK BLK**

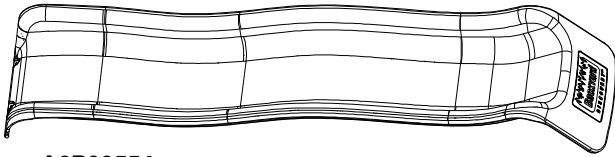


**A4M01126**  
(x1) **26" WEB SWING**

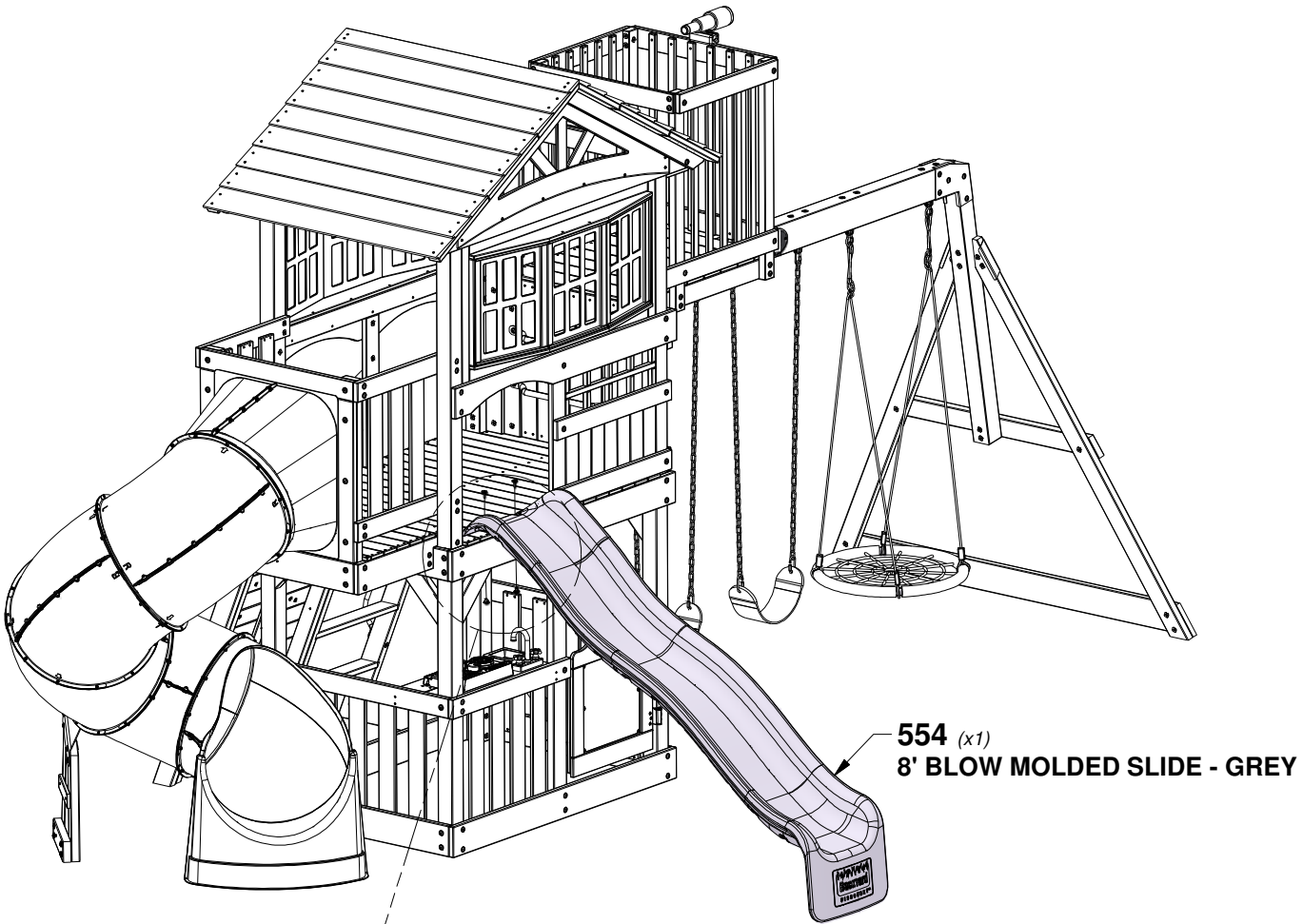


# STEP 64 - FORT ASSEMBLY

QTY	PART NUMBER	DESCRIPTION
2	H100468	BOLT WH 5/16x1 BLK
2	H100379	T-NUT 5/16 BLK

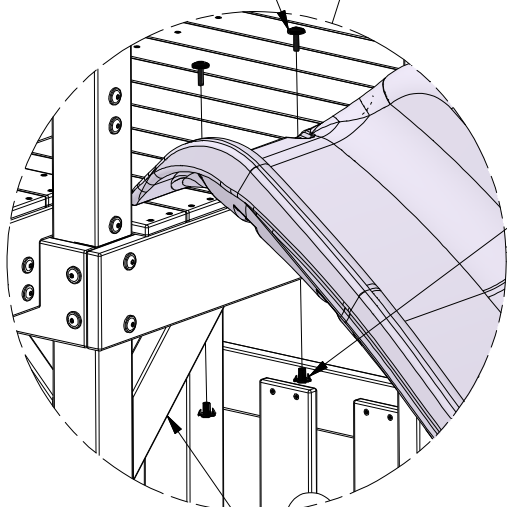


**A6P00554**  
(x1) **8' BLOW MOLDED SLIDE - GREY**

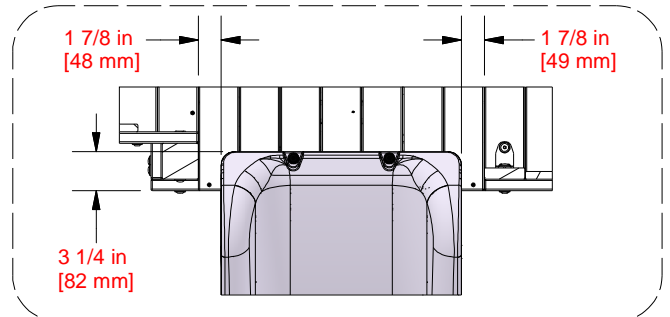


**554** (x1)  
**8' BLOW MOLDED SLIDE - GREY**

**468** (x2)  
**BOLT - 1"**



**379** (x2)  
**T-NUT - 5/16"**

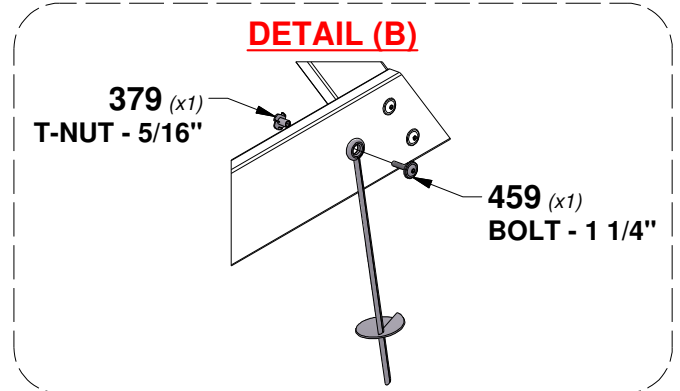
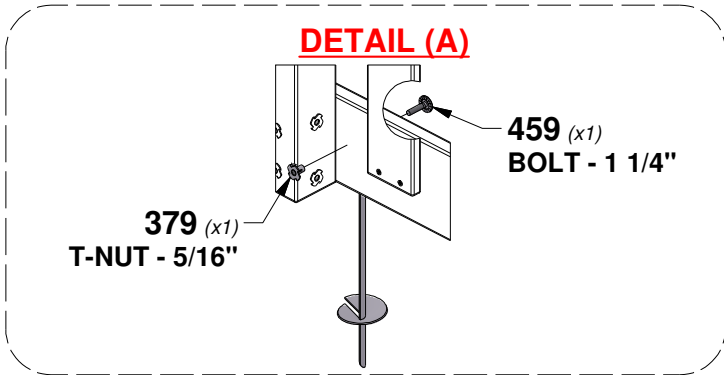


**CENTER SLIDE IN OPENING USING DIMENSIONS SHOWN. USING SLIDE AS A TEMPLATE, DRILL (2) 3/8" [10mm] HOLES THROUGH DECK FOR HARDWARE.**

**IF NEEDED E01 ANGLE BRACES MAY BE REMOVED TO EASE INSTALLATION OF 379 T-NUT.**

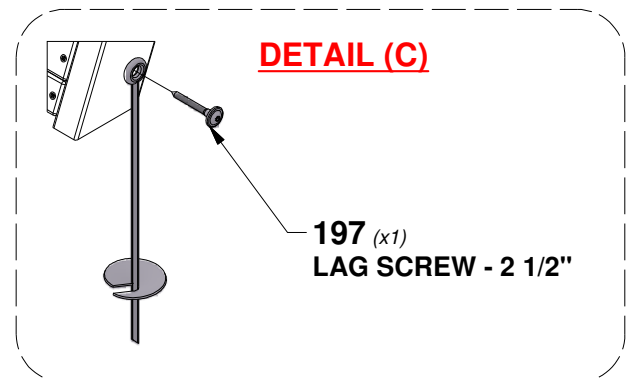
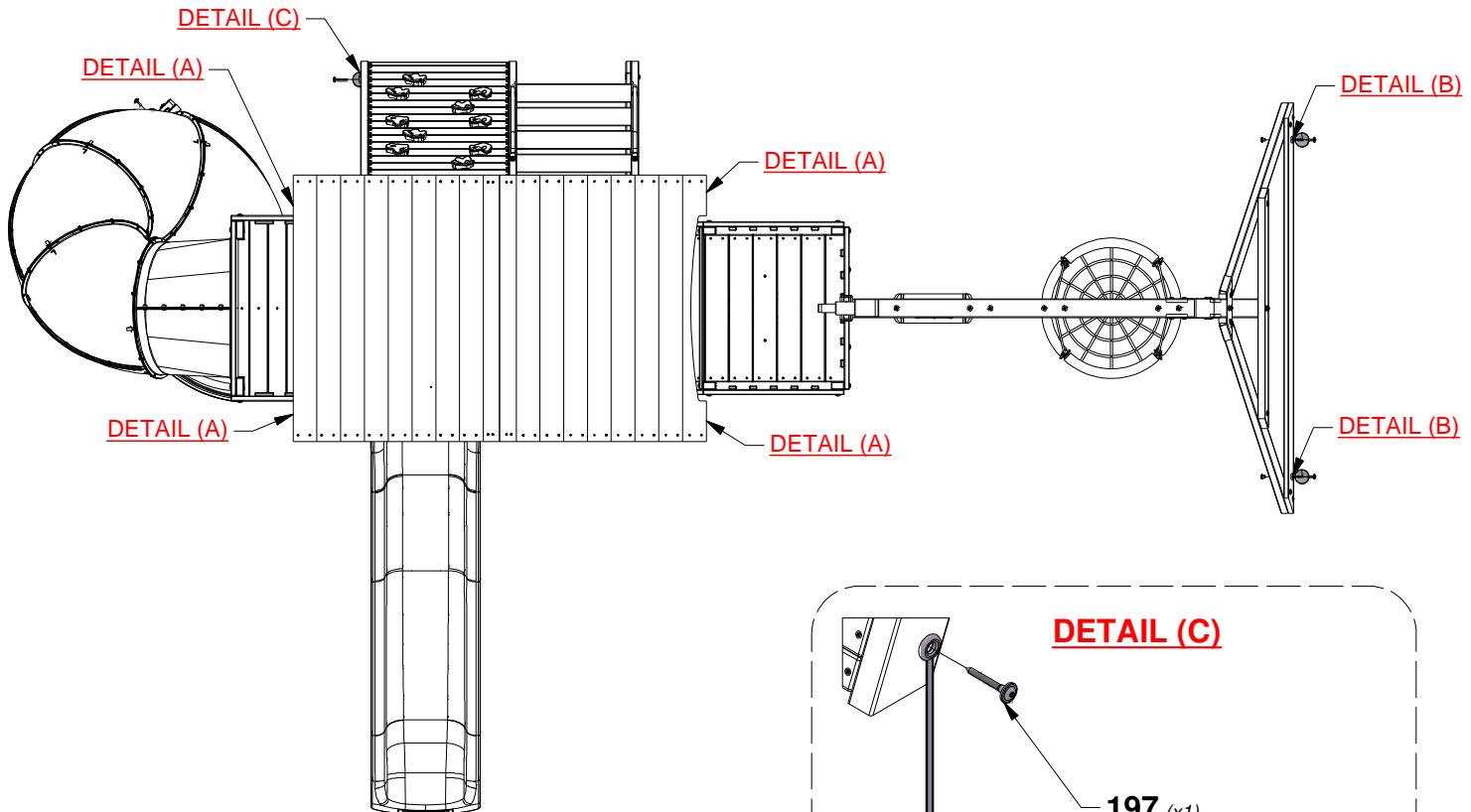
# STEP 65 - FORT ASSEMBLY

QTY	PART NUMBER	DESCRIPTION
6	H100459	BOLT WH 5/16x1 1/4 BLK
6	H100379	T-NUT 5/16 BLK
1	H100197	LAG SCREW WH 5/16x2 1/2 BLK



**TWIST GROUND STAKE INTO GROUND WHERE SHOWN.**

**USING GROUND STAKE AS A GUIDE, DRILL (1) 3/8" [10 mm] HOLE FOR HARDWARE. (DETAIL A & B)**



**TWIST GROUND STAKE INTO GROUND WHERE SHOWN.**

**USING GROUND STAKE AS A GUIDE, DRILL (1) 3/16" [5 mm] HOLE FOR HARDWARE. (DETAIL C)**