



MANUFACTURED BY:
Backyard Discovery
3305 Airport Drive, Pittsburg, KS 66762
800-856-4445

Basepoint Business Centre: Rivermead Drive, Westlea, Swindon SN5 7EX Phone: 0800-118-2476
J.P. Coenstraat 7, The Bridge, The Hague, 2595 WP, Netherlands Phone: 0800-567-8990

SKYFORT III with SPIRAL TUBE SLIDE

Swing Set

Model # 2200043B

The assembly manual must be retained
since it contains important information



WARNING

Adult Assembly Required.

Not suitable for children under 36 months due to small parts.

FOR DOMESTIC USE ONLY. INTENDED FOR OUTDOOR USE.



Please visit www.backyarddiscovery.com

For the most up to date assembly manual, to register your set, or to order replacement parts

Para obtener instrucciones en español, visite www.backyarddiscovery.com



**EASY STEP-BY-STEP
3D INTERACTIVE INSTRUCTIONS**

DOWNLOAD THE FREE APP



Made in China

INS-2200043B-A-SKYFORT III with TUBE SLIDE-ENG 10-11-2023

Owner's Manual - Basic Setup Dimensions & Assembly Notes

Place the set on level ground, not less than 6'-7" [2 m] from any structure or obstruction such as a fence, garage, house, overhanging branches, laundry lines, or electrical wires.

- While assembling unit, take time before and after each phase to make sure fort is level. If fort is not level, assembly will be difficult and improper assembly may result. Extra care must be taken to insure the fort is square.
- The safe play area refers to a zone extending 6'-7" (2 m) beyond the play product on all sides, including the space above the play product.

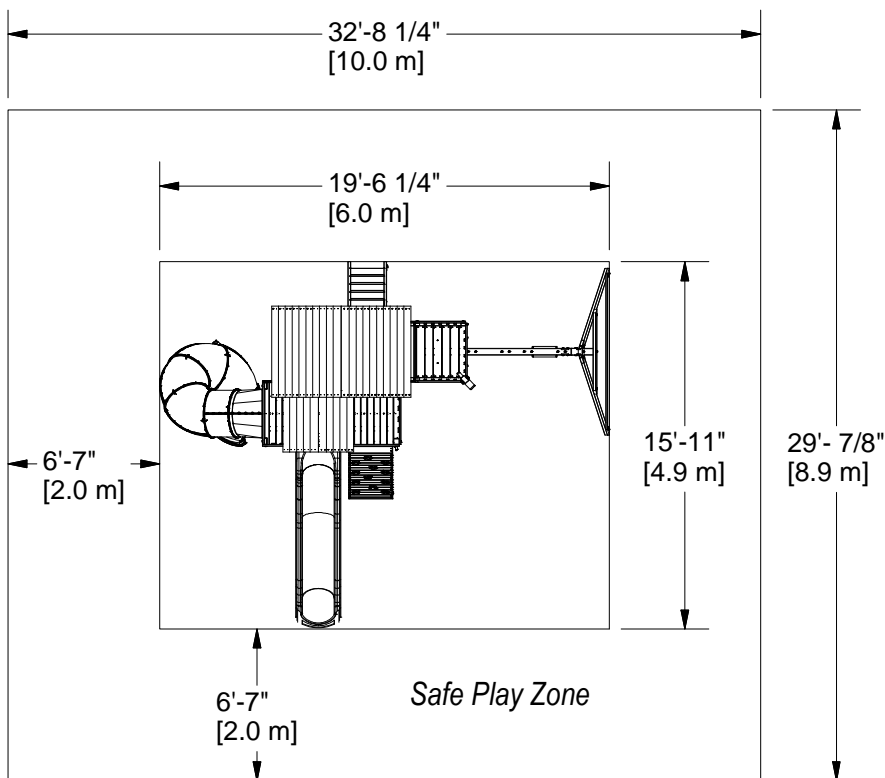
SAFE PLAY AREA DIAGRAM

Ground Dimensions

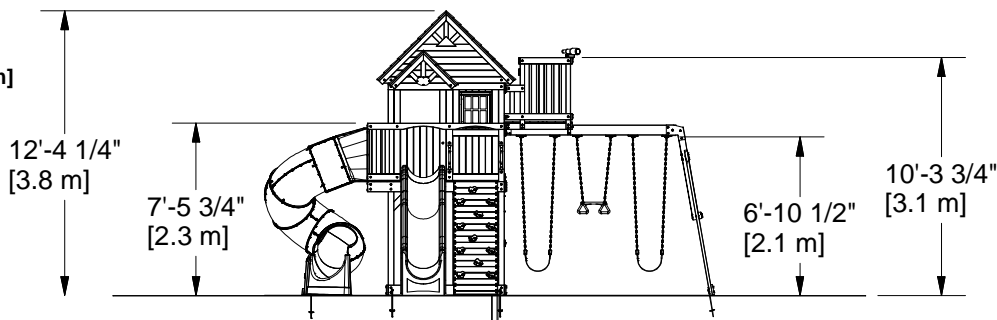
19'-6 1/4" [6] x 15'-11" [4.9] x 12'-4 1/8" [3.8]

Safe Play Area

32'-8 1/4" [10] x 29'- 7/8" [8.9] x 18'-11 1/8" [5.8]



SAFE PLAY HEIGHT: 18'-11 1/8" [5.8]
 MAXIMUM FALL HEIGHT: 6'-10 1/2" [2.1 m]



General Information:

Your set has been designed and engineered for children only and for residential use only.
 A maximum of 150 lbs. per child is recommended for play activities designed for individual use.
 A maximum of 120 lbs. per child is recommended for play activities designed for multiple child use.
 A maximum of 9 children is recommended for this swing set.

Owner's Manual - Parts Identification

Wood Components (Not to Scale)



A1 SWING BEAM - W4L15645
(1) 3 3/8"x5 1/4"x89 1/2" (86x134x2274)



P01 TOWER LEG - W2A03272
(1) 3"x3"x89 1/2" (77x76x2274)



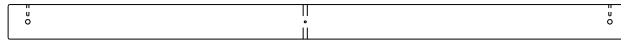
B02 TOWER LEG - W4L15441
(1) 3"x3"x59" (76x76x1500)



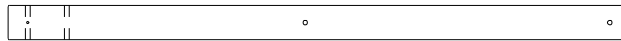
B03 TOWER LEG - W4L15442
(1) 3"x3"x59" (76x76x1500)



B04 TOWER LEG - W4L15443
(1) 3"x3"x59" (76x76x1500)



B05 BACK LEFT FORT CORNER - W4L15444
(1) 3"x3"x53 7/8" (76x76x1370)



B06 FRONT LEFT FORT CORNER - W4L15445
(1) 3"x3"x53 7/8" (76x76x1370)



B07 FRONT RIGHT FORT CORNER - W4L15446
(1) 3"x3"x53 7/8" (76x76x1370)



B08 BACK RIGHT FORT CORNER - W4L15447
(1) 3"x3"x53 7/8" (76x76x1370)



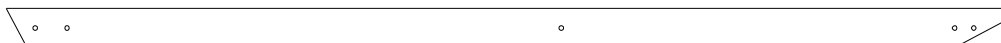
E01 TOWER LEG - W4L15448
(1) 1 3/8"x3 3/8"x59" (36x86x1500)



E02 TOWER LEG - W4L15449
(1) 1 3/8"x3 3/8"x59" (36x86x1500)



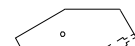
E03 CROWS NEST FLOOR RAIL - W4L15450
(2) 1 3/8"x3 3/8"x33 1/2" (36x86x852)



E04 ANGLE BRACE - W4L15649
(2) 1 3/8"x3 3/8"x87 1/8" (36x86x2212)



E05 DECK BRACE - W4L15452
(8) 1 7/16"x3 3/8"x17 11/16" (36x86x450)



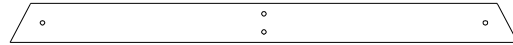
E06 CROWS NEST DECK BRACE - W4L15451
(2) 1 7/16"x3 3/8"x10 7/8" (36x86x276)

Owner's Manual - Parts Identification

Wood Components (Not to Scale)



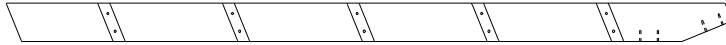
E07 UPRIGHT - W4L15654
(2) 1 3/8"x3 1/4"x35 3/4" (36x83x908)



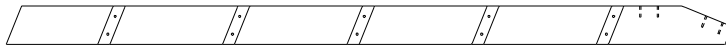
E50 END SUPPORT - W4L15651
(1) 1 3/8"x3 3/8"x44 1/8" (36x86x1120)



E72 ROCKWALL RAIL - W4L15490
(2) 1 3/8"x3 3/8"x64 5/8" (36x86x1640)



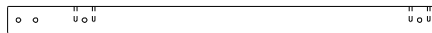
E77 LEFT UPRIGHT - W4L17061
(1) 1 3/8"x3 3/8"x64 3/8" (36x86x1634)



E78 RIGHT UPRIGHT - W4L17062
(1) 1 3/8"x3 3/8"x64 3/8" (36x86x1634)



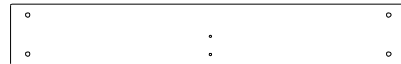
F02 CROWS NEST WALL SUPPORT - W4L15456
(2) 1 3/8"x2 3/8"x37 1/2" (36x60x952)



F03 CROWS NEST WALL SUPPORT - W4L15457
(2) 1 3/8"x2 3/8"x37 1/2" (36x60x952)



G01 TOP FLOOR RAIL - W4L15458
(1) 1"x5 1/4"x67 1/2" (24x134x1715)



G02 TOP FLOOR RAIL - W4L15459
(1) 1"x5 1/4"x34 1/2" (24x134x877)



G03 FLOOR RAIL - W4L15460
(1) 1"x5 1/4"x71 1/4" (24x134x1810)



G04 FLOOR RAIL - W4L15461
(1) 1"x5 1/4"x60 1/2" (24x134x1537)



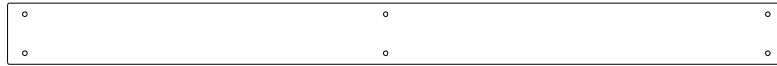
G05 FLOOR RAIL - W4L15493
(1) 1"x5 1/4"x71 1/4" (24x134x1810)



G06 FLOOR RAIL - W4L15462
(2) 1"x5 1/4"x60 1/2" (24x134x1537)

Owner's Manual - Parts Identification

Wood Components (Not to Scale)



G07 BOTTOM FLOOR RAIL - W4L15463
(2) 1"x5 1/4"x67 1/2" (24x134x1715)



G08 GROUND BOARD - W4L15652
(1) 1"x5 1/4"x86 3/4" (24x134x2202)



G09 TOP FLOOR RAIL - W4L15653
(1) 1"x5 1/4"x32" (24x134x814)



H01 ROOF SUPPORT RAIL - W4L15648
(1) 1"x3 3/8"x67 1/4" (24x86x1709)



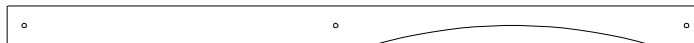
H02 WALL RAIL - W4L15466
(1) 1"x3 3/8"x67 1/2" (24x86x1715)



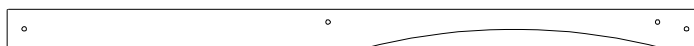
H03 FLOOR JOIST - W4L15467
(1) 1"x3 3/8"x70 3/8" (24x86x1786)



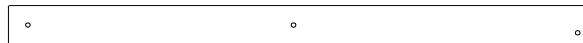
H04 ROOF SUPPORT RAIL - W4L15468
(1) 1"x3 3/8"x67 1/4" (24x86x1709)



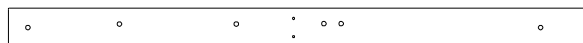
H06 BACK FORT RAIL - W4L15470
(1) 1"x3 3/8"x60 1/2" (24x86x1537)



H07 FRONT FORT WALL RAIL - W4L15471
(1) 1"x3 3/8"x60 1/2" (24x86x1537)



H08 FORT UPRIGHT - W4L15472
(1) 1"x3 3/8"x50 1/2" (24x86x1284)



H09 FORT WALL BOARD - W4L15473
(2) 1"x3 3/8"x50 1/2" (24x86x1284)



H10 PORCH LEG - W4L15474
(1) 1"x3 3/8"x50 1/2" (24x86x1282)



H11 PORCH LEG - W4L15475
(1) 1"x3 3/8"x50 1/2" (24x86x1282)

Owner's Manual - Parts Identification

Wood Components (Not to Scale)



H12 ROOF RAFTER - W4L15476

(4) 1"x3 3/8"x50 3/8" (24x86x1278)



H13 FLOOR RAIL - W4L15477

(1) 1"x3 3/8"x17 1/8" (24x86x435)



H14 SWING BEAM MOUNT - W4L15478

(1) 1"x3 3/8"x38 5/8" (24x86x982)



H18 FORT WALL RAIL - W4L15479

(1) 1"x3 3/8"x53 7/8" (24x86x1370)



H19 CROWS NEST FLOOR RAIL - W4L15480

(1) 1"x3 3/8"x27" (24x86x686)



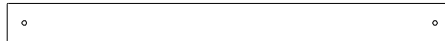
H20 PORCH ROOF RAFTER - W4L15481

(4) 1"x3 3/8"x24 1/2" (24x86x622)



H21 CROWS NEST FLOOR SUPPORT - W4L15482

(1) 1"x3 3/8"x24 1/8" (24x86x614)



H23 FORT WALL RAIL - W4L15615

(3) 1"x3 3/8"x38 5/8" (24x86x982)



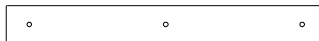
H25 TOP FLOOR SUPPORT - W4L15483

(1) 1"x3 3/8"x3" (24x86x76)



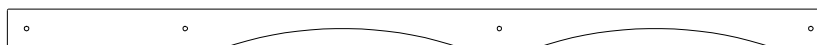
H26 FLOOR JOIST - W4L15484

(1) 1"x3 3/8"x60 1/2" (24x86x1537)



H27 WALL RAIL - W4L15485

(2) 1"x3 1/4"x27 3/4" (24x83x704)



H28 FRONT WALL RAIL - W4L15486

(1) 1"x3 3/8"x71 1/4" (24x86x1810)

Owner's Manual - Parts Identification

Wood Components (Not to Scale)



H29 CROWS NEST WALL RAIL - W4L15487
(2) 1"x3 3/8"x26 1/4" (24x86x666)



H30 CROWS NEST WALL RAIL - W4L15488
(2) 1"x3 3/8"x29 7/8" (24x86x758)



H31 CROWS NEST WALL RAIL - W4L15489
(2) 1"x3 3/8"x34 1/2" (24x86x876)



H32 FLOOR RAIL - W4L15656
(2) 1"x3 3/8"x9 3/4" (24x86x249)



H33 WALL RAIL - W4L15657
(1) 1"x2 3/4"x32" (24x70x814)



H76 LADDER RUNG - W4L15491
(5) 1"x3 3/8"x18 1/8" (24x86x460)



H77 ATTACHMENT BOARD - W4L15492
(1) 1"x3 3/8"x20 1/8" (24x86x512)



K05 FORT WALL RAIL - W4L15495
(1) 5/8"x5 1/4"x38 5/8" (16x134x982)



K06 TRIANGLE SUNBURST - W4L15496
(2) 5/8"x5 1/4"x10 3/8" (16x134x265)



L01 CROWS NEST FLOOR BOARD - W4L15497
(6) 5/8"x4 3/8"x27" (16x112x686)



L02 CROWS NEST FLOOR BOARD - W4L15650
(2) 5/8"x4 3/8"x27" (16x112x686)

Owner's Manual - Parts Identification

Wood Components (Not to Scale)



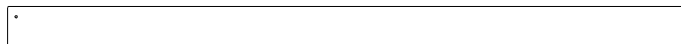
M01 TOP WALL RAIL - W4L15498
(1) 5/8"x3 3/8"x67 1/2" (16x86x1715)



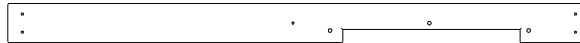
M02 SAFETY RAIL - W4L15499
(1) 5/8"x3 3/8"x67 1/2" (16x86x1715)



M04 CROWS NEST WALL RAIL - W4L15609
(2) 5/8"x3 3/8"x29 7/8" (16x86x758)



M05 GABLE BOARD - W4L15610
(2) 5/8"x3 3/8"x59 1/2" (16x86x1510)



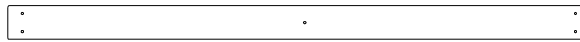
M06 WINDOW WALL - W4L15611
(2) 5/8"x3 3/8"x50 1/2" (16x86x1284)



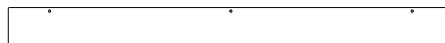
M07 GABLE BOARD - W4L15612
(2) 5/8"x3 3/8"x52 5/8" (16x86x1338)



M08 WALL BOARD - W4L15613
(2) 5/8"x3 3/8"x50 1/2" (16x86x1284)



M09 FORT WALL BOARD - W4L15614
(2) 5/8"x2 7/8"x50 1/2" (16x74x1284)



M11 SOFFIT CAP - W4L15616
(1) 5/8"x3 3/8"x38 5/8" (16x86x982)



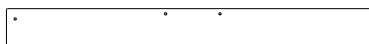
M12 GABLE BOARD - W4L15617
(2) 5/8"x3 3/8"x45 7/8" (16x86x1166)



M14 GABLE BOARD - W4L15618
(2) 5/8"x3 3/8"x39 1/8" (16x86x994)



M17 FRONT WINDOW WALL BOARD - W4L15619
(3) 5/8"x3 3/8"x29 1/8" (16x86x739)



M18 GABLE BOARD - W4L15620
(2) 5/8"x3 3/8"x32 3/8" (16x86x822)

Owner's Manual - Parts Identification

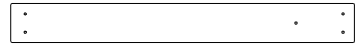
Wood Components (Not to Scale)



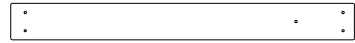
M19 FRONT PORCH ROOF SUPPORT - W4L15621
(1) 5/8"x3 3/8"x30 5/8" (16x86x779)



M21 FORT WALL RAIL - W4L15622
(3) 5/8"x3 3/8"x30 1/4" (16x86x768)



M22 FORT WALL BOARD - W4L15623
(4) 5/8"x3 3/8"x29 7/8" (16x86x758)



M23 FORT WALL BOARD - W4L15624
(2) 5/8"x3 1/8"x29 7/8" (16x80x758)



M24 WALL BOARD - W4L15625
(16) 5/8"x3 3/8"x29 5/8" (16x86x752)



M32 CROWS NEST WALL RAIL - W4L15627
(2) 5/8"x3 3/8"x10" (16x86x254)



M33 FRONT WINDOW WALL BOARD - W4L15628
(3) 5/8"x3 3/8"x6 1/8" (16x86x154)



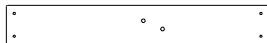
M61 ATTACHMENT BOARD - W4L15629
(1) 5/8"x3 3/8"x22 7/8" (16x86x580)



M73 REAR SUPPORT - W4L15630
(1) 5/8"x3 3/8"x20 1/8" (16x86x512)



M74 ROCK WALL BOARD - W4L15631
(10) 5/8"x3 3/8"x22 7/8" (16x86x580)



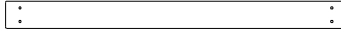
M75 ROCK WALL BOARD - W4L15632
(4) 5/8"x3 3/8"x22 7/8" (16x86x580)



M76 ROCK WALL BOARD - W4L15633
(4) 5/8"x3 3/8"x22 7/8" (16x86x580)

Owner's Manual - Parts Identification

Wood Components (Not to Scale)



N01 PICKET - W4L15634
(7) 5/8"x2 3/8"x29 5/8" (16x60x752)



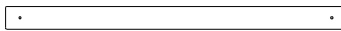
N03 ROOF SUPPORT - W4L15636
(2) 5/8"x2 3/8"x47" (16x60x1193)



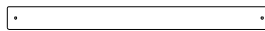
N04 CROWS NEST WALL BOARD - W4L15637
(2) 5/8"x2 3/8"x18 1/8" (16x60x461)



N05 FRONT PORCH GABLE TRIM - W4L15638
(3) 5/8"x2 3/8"x15" (16x60x381)



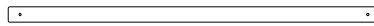
N06 WALL BOARD - W4L15465
(1) 5/8"x2"x29 5/8" (16x50x752)



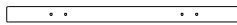
N07 ROCK WALL BOARD - W4L15626
(1) 5/8"x2"x22 7/8" (16x50x580)



N08 FRONT PORCH GABLE TRIM - W4L15640
(6) 5/8"x2 3/8"x9 1/2" (16x60x241)



O01 CROWS NEST WALL BOARD - W4L15641
(16) 5/8"x1 3/8"x32 1/4" (16x34x819)



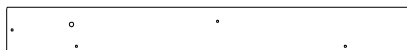
O70 SLIDE MOUNTING BOARD - W4L09040
(1) 5/8"x1 3/8"x20 3/8" (16x34x517)



SP1 SWING BEAM SUPPORT - W4L15647
(1) 3 3/8"x3 3/8"x48 3/8" (86x86x1229)



Y01 TOP FLOOR BOARD - W4L15643
(1) 5/8"x3 7/8"x65 1/2" (16x100x1663)



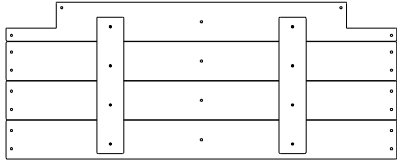
Y02 TOP FLOOR BOARD - W4L15655
(1) 5/8"x3 7/8"x35 1/2" (16x100x901)



Y03 ROCK WALL END BOARD - W4L15644
(1) 5/8"x3 5/8"x22 7/8" (16x92x580)

Owner's Manual - Parts Identification

Wood Components (Not to Scale)



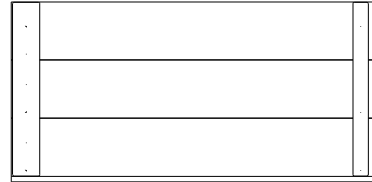
FP1 FLOOR PANEL - W2A03271
(1) 1 1/4"x13 1/2"x81 7/8" (32x346x862)



FP2 FLOOR PANEL - W2A03264
(4) 1 1/4"x13 1/2"x81 7/8" (32x344x1763)



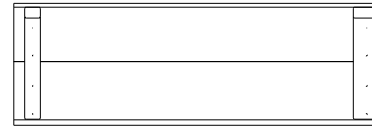
RP1 ROOF PANEL - W2A03265
(1) 1 5/8"x10 1/2"x32 7/8" (42x268x812)



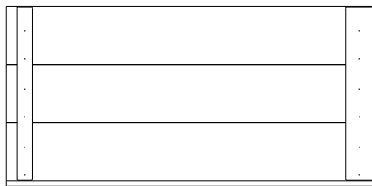
RP2 ROOF PANEL - W2A03266
(1) 1 5/8"x15 5/8"x32 7/8" (42x396x812)



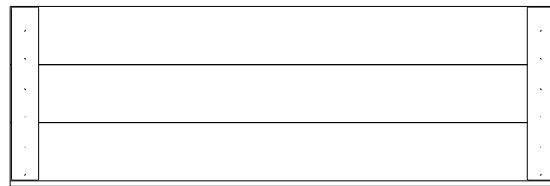
RP3 ROOF PANEL - W2A03267
(2) 1 5/8"x20 5/8"x59" (42x524x1204)



RP4 ROOF PANEL - W2A03268
(1) 1 5/8"x10 1/2"x32 7/8" (42x268x812)



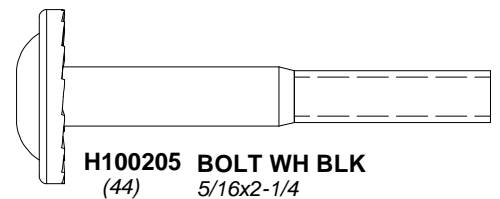
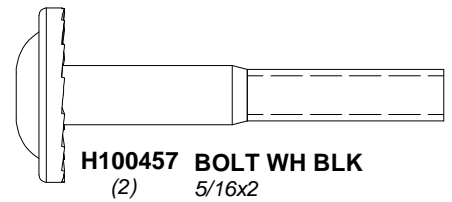
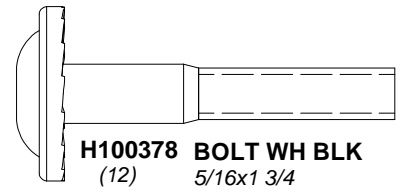
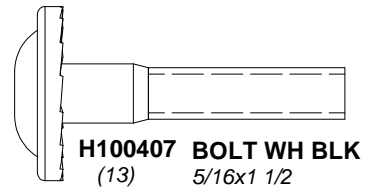
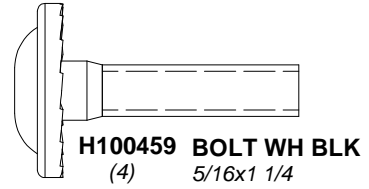
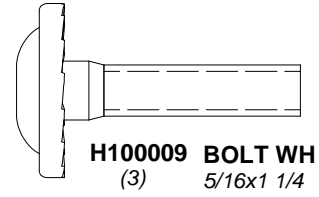
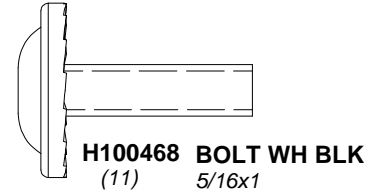
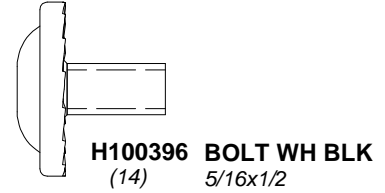
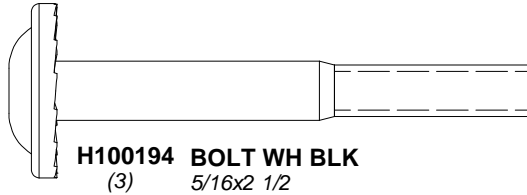
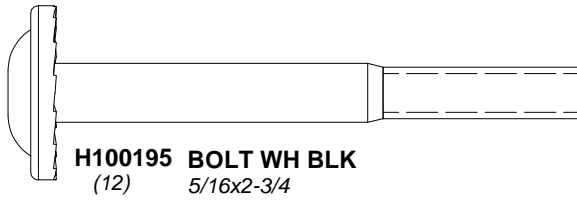
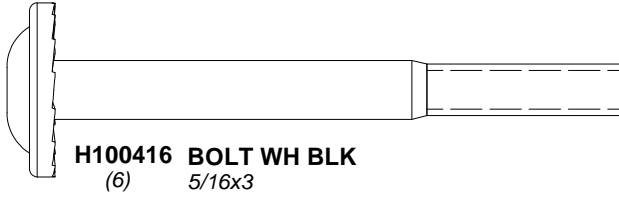
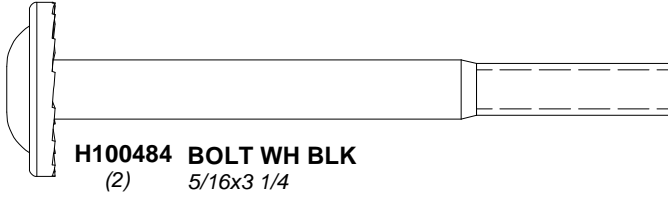
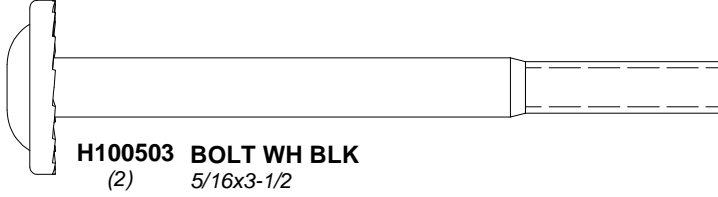
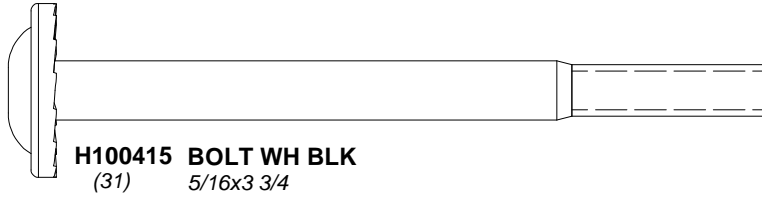
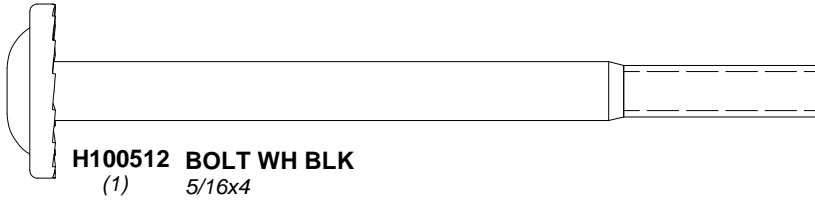
RP5 RIGHT PORCH ROOF PANEL - W2A03269
(1) 1 5/8"x15 5/8"x32 7/8" (42x396x812)



RP6 ROOF PANEL - W2A03270
(4) 1 5/8"x15 5/8"x59" (42x396x1204)

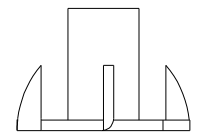
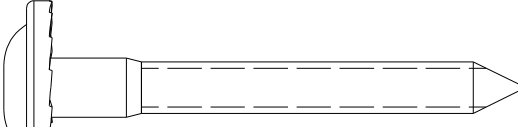
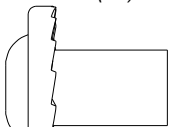
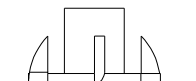
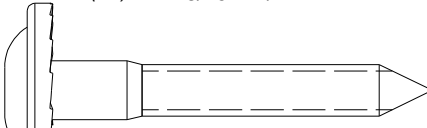
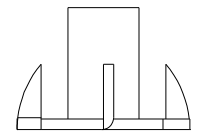
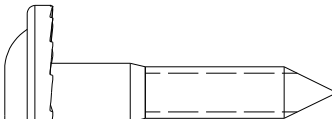
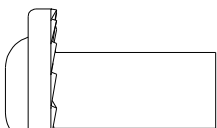
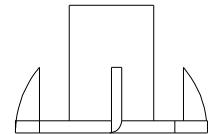
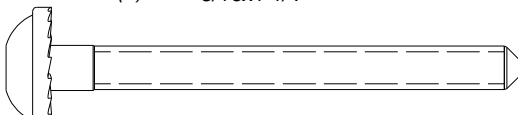
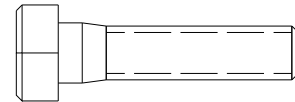
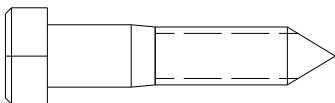
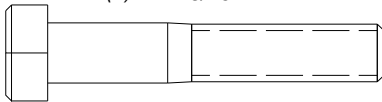
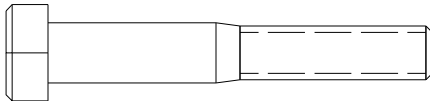
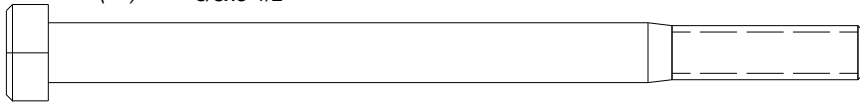
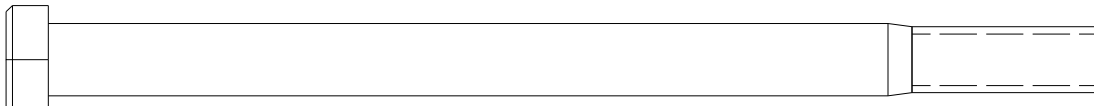
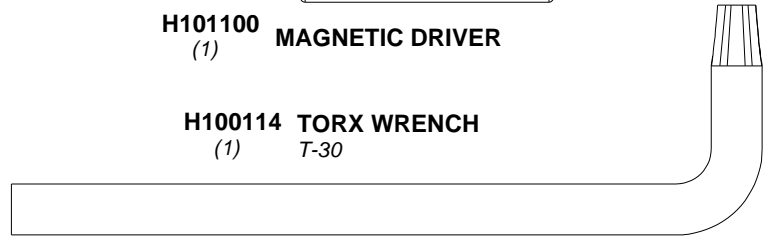
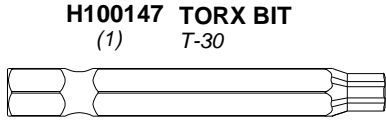
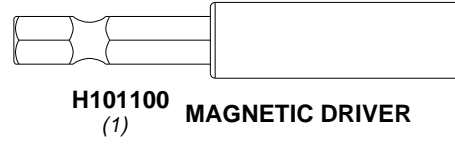
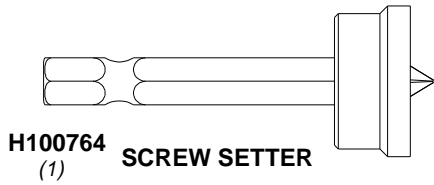
Owner's Manual - Parts Identification

Hardware Components



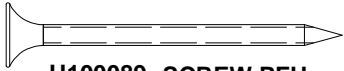
Owner's Manual - Parts Identification

Hardware Components

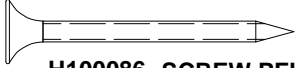


Owner's Manual - Parts Identification

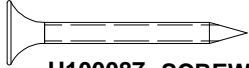
Hardware Components



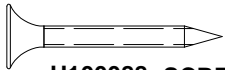
H100089 SCREW PFH
(4) 8x1 3/4



H100086 SCREW PFH
(254) 8x1 1/2



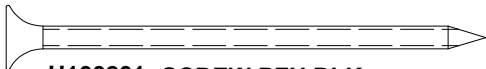
H100087 SCREW PFH
(4) 8x1 1/4



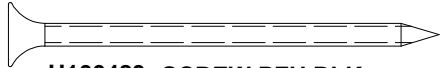
H100088 SCREW PFH
(237) 8x1 1/8



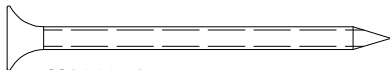
H100479 NUT LOCK BLK
(2) 5/16



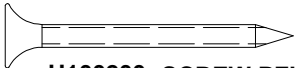
H100201 SCREW PFH BLK
(13) 8x2-1/2



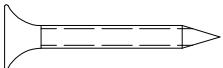
H100483 SCREW PFH BLK
(35) 8x2 1/4



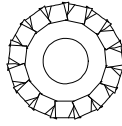
H100391 SCREW PFH BLK
(50) 8x2



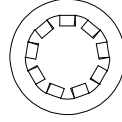
H100200 SCREW PFH BLK
(12) 8x1 1/2



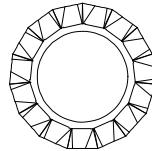
H100380 SCREW PFH BLK
(46) 8x1 1/8



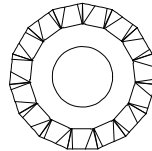
H100405 WASHER LOCK EXT BLK
(11) 6x15



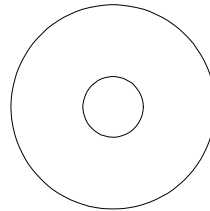
H100108 WASHER LOCK INT
(26) 8x15



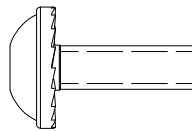
H100199 WASHER LOCK EXT BLK
(16) 12x19



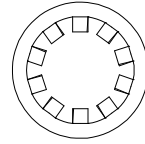
H100198 WASHER LOCK EXT BLK
(168) 8x19



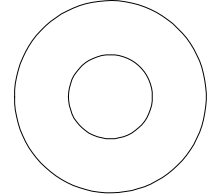
H100478 WASHER FLAT BLK
(22) 8x27



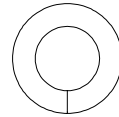
H101110 BOLT WH
(26) 1/4x3/4



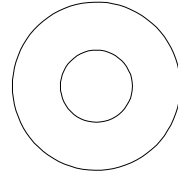
H100107 WASHER LOCK INT
(13) 10x18



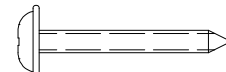
H100102 WASHER FLAT
(13) 11x25



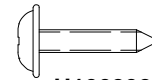
H100477 WASHER SPLIT BLK
(22) 5/16



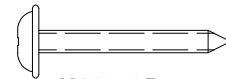
H100770 WASHER FLAT BLK
(4) 5/16



H100797 SCREW PWH BLK
(19) 8x1



H100202 SCREW PWH BLK
(4) 8x5/8



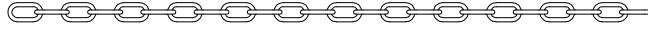
H100785 SCREW PWH
(7) 8x1

Owner's Manual - Parts Identification

Accessory Components (Not to Scale)



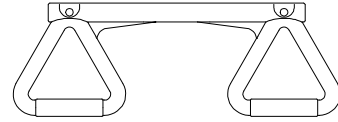
A100047
(4) **CHAIN GREEN 57"**



A100177
(2) **CHAIN GREEN 31"**



A100027
(2) **SWING SEAT GREEN 26"**



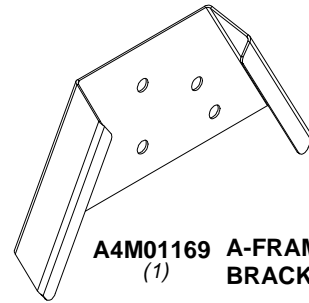
A6P00034
(1) **TRAPEZE YELLOW**



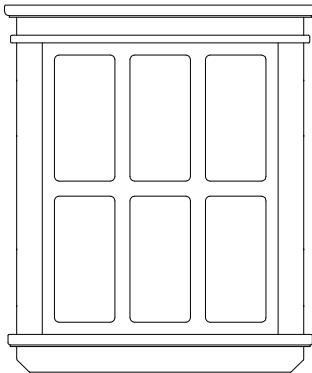
A100069
(6) **QUICK LINK**



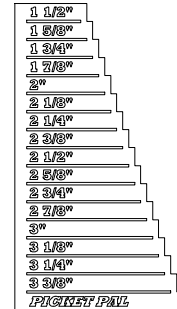
A100164
(1) **BYD ID TAG (LARGE) AGES 3-10**



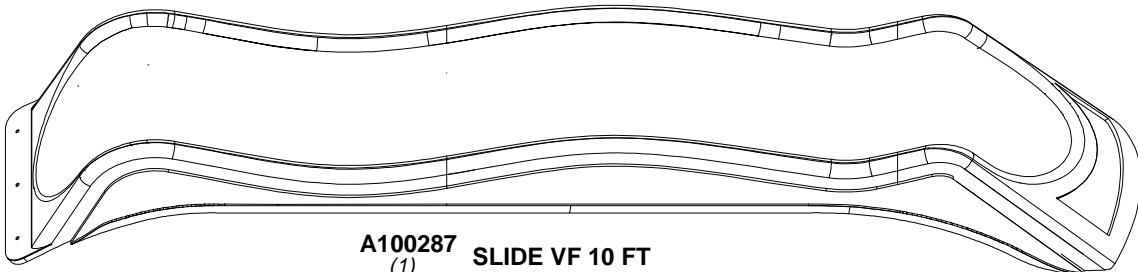
A4M01169
(1) **A-FRAME BRACKET**



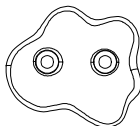
A100321
(1) **PLASTIC WINDOW 44x412x485**



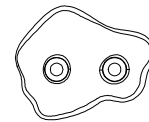
A6P00410
(1) **PICKET PAL**



A100287
(1) **SLIDE VF 10 FT**



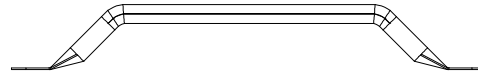
A6P00036
(6) **GREEN HC ROCK #1**



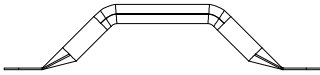
A6P00037
(6) **GREEN HC ROCK #2**

Owner's Manual - Parts Identification

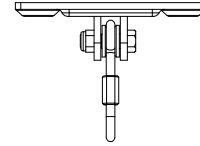
Accessory Components (Not to Scale)



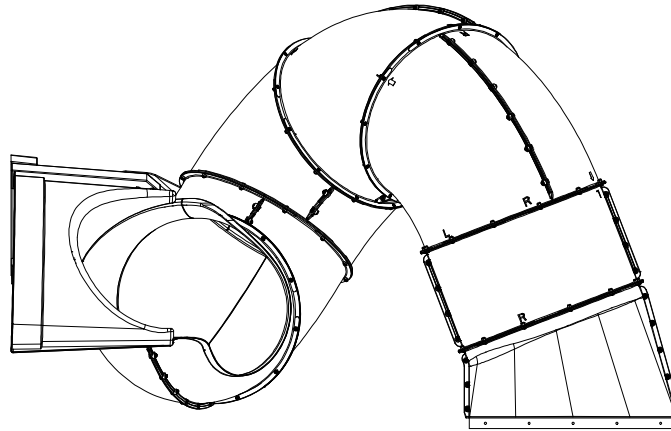
A100324
(2) **LADDER RUNG 578 GREEN**



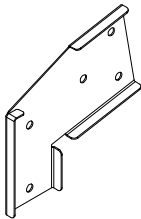
A100118
(4) **HAND GRIP
METAL GREEN**
381 c/c



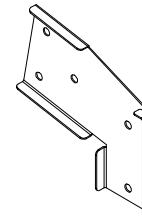
A4M00505
(6) **SWING HANGER**



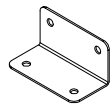
TUBE SLIDE ASSEMBLY



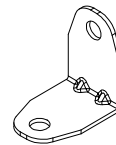
A100325
(1) **SWING BEAM
EXTENSION
BRACKET-LEFT**



A100326
(1) **SWING BEAM
EXTENSION
BRACKET-RIGHT**



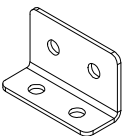
A100140
(2) **L BRACKET 66x66x127**



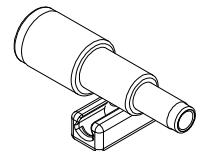
A4M01046
(14) **L BRACKET 2.5x38x55x55**



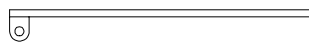
A100178
(6) **AUGER GROUND STAKE**



A100396
(4) **L BRACKET 51x32x82x3.175**



A6P00096
(1) **TELESCOPE**



A4M00527
(2) **GROUND STAKE REBAR**

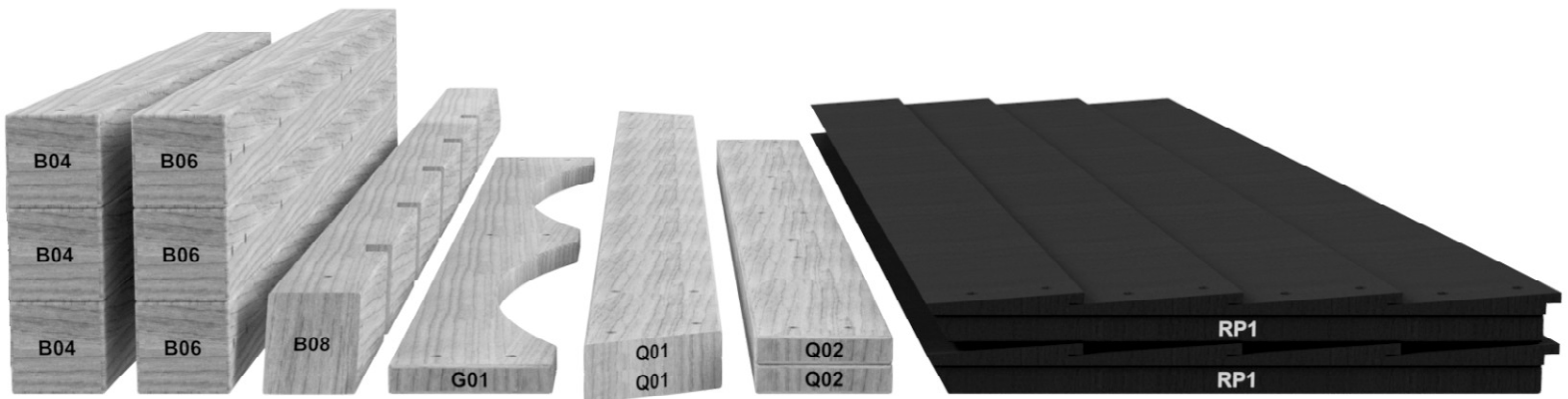
PRE-ASSEMBLY STEP 1 - SORTING PARTS

It is critical for ease of assembly that you take the time to sort and organize the wood and hardware.

WOOD PARTS:

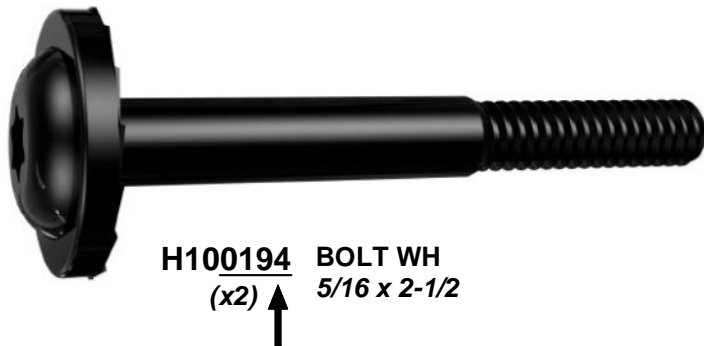
- Organize wood parts by the three-digit, alpha-numeric number stamped on each board (ex. P01).
- If there are multiple boards with the same stamped number, stack those pieces together.
- Stamps can be found on the flat surface of the boards or on the end of the boards.
- Allow yourself plenty of room - the wood pieces can take up a significant amount of space.

NOTE: CARTONS ARE NOT ORGANIZED BY BOARD NUMBER.



HARDWARE PARTS:

- We recommend that you have a separate table to organize the hardware.
- Hardware bags are printed with a seven-digit, alpha-numeric part number.
- You can organize your hardware by part number or group by hardware type (i.e. bolts, nuts, etc.).
- During assembly you only need to reference the last four digits of the number.



PRE-ASSEMBLY STEP 2 - TOOLS REQUIRED



Cordless Drill or
Electric Drill



Drill Attachments:
Phillips Head



1/8", 3/16", 3/8" & 7/16"
Drill Bits



Phillips Screw Driver



Open End Wrenches 1/2" & 9/16"



3/8" Drive Ratchet, 1/2" &
9/16" STD Sockets 1/2" & 9/16" Deep
Sockets



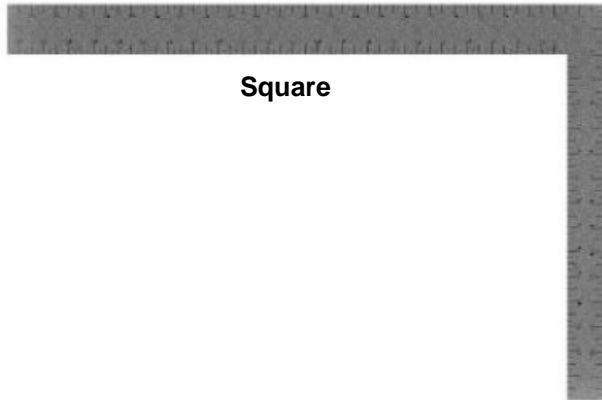
Claw Hammer



Rubber Mallet - Optional



Tape Measure



Square

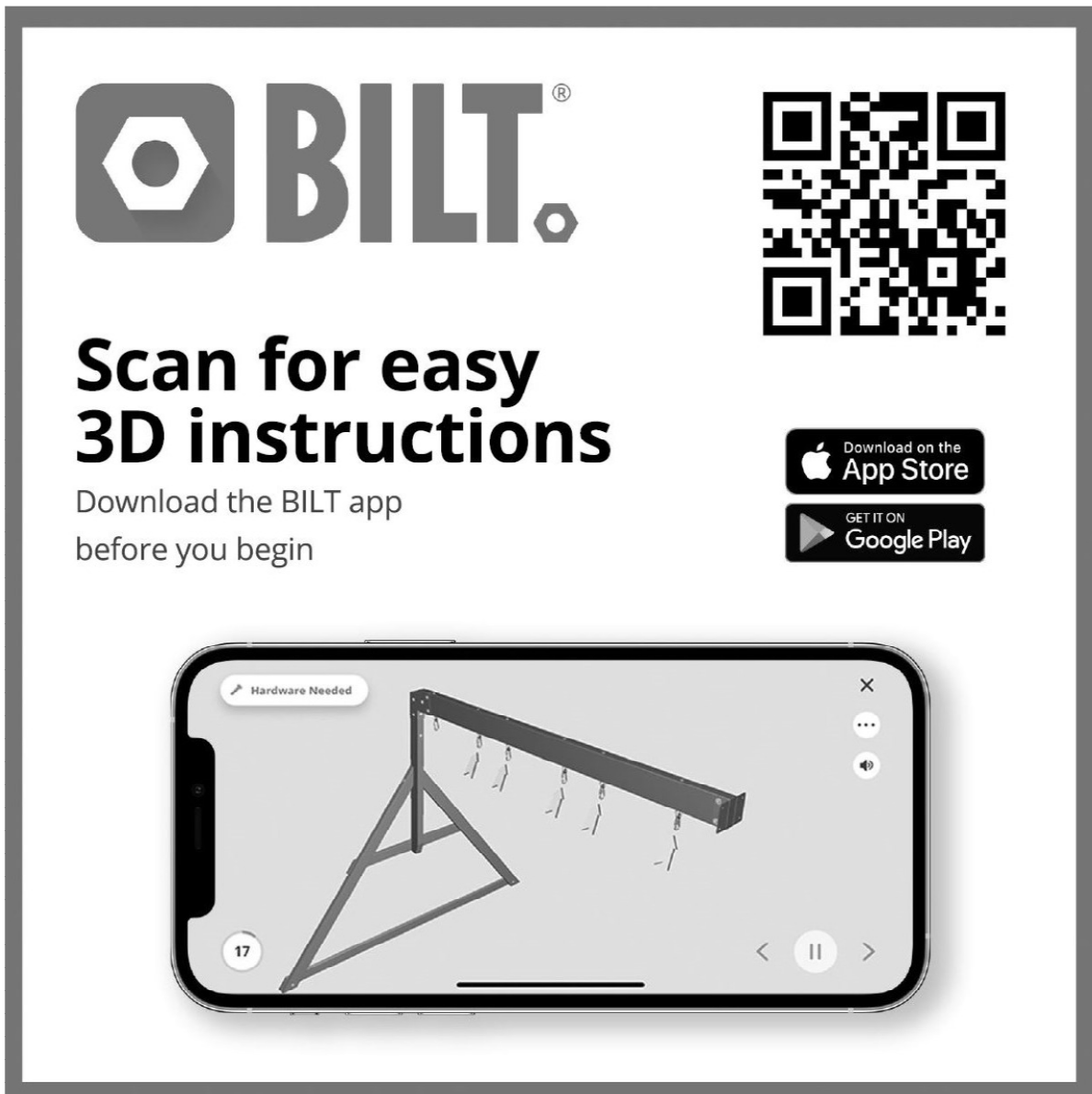


Level 24"

PRE-ASSEMBLY STEP 3 - CHOOSE YOUR ASSEMBLY METHOD

There are several types of assembly instructions available to you.

1. Printed Assembly Manual included with your set
2. BILT APP - 3D interactive instructions
3. Combination of the Printed Manual and BILT APP (Note: Step numbers can differ between the two methods)



The advertisement features the BILT logo (a hexagon with a dot) and the word "BILT." in a bold, sans-serif font. To the right is a large QR code. Below the logo, the text "Scan for easy 3D instructions" is written in a large, bold font, followed by "Download the BILT app before you begin" in a smaller font. To the right of this text are two buttons: "Download on the App Store" and "GET IT ON Google Play". At the bottom, a smartphone screen displays a 3D assembly instruction for step 17, showing a metal frame with a horizontal bar and several hanging components. The screen includes a "Hardware Needed" label, a close button (X), a menu button (three dots), a volume icon, and navigation arrows.

STEP 1 - ROCK WALL

QTY	PART NUMBER	DESCRIPTION
24	H100072	T-NUT 1/4
24	H100108	WASHER LOCK INT 8x15
24	H101110	BOLT WH 1/4x3/4



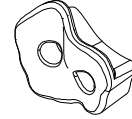
M75 ROCK WALL BOARD - W4L15632
(4) 5/8"x3 3/8"x22 7/8" (16x86x580)



M76 ROCK WALL BOARD - W4L15633
(4) 5/8"x3 3/8"x22 7/8" (16x86x580)

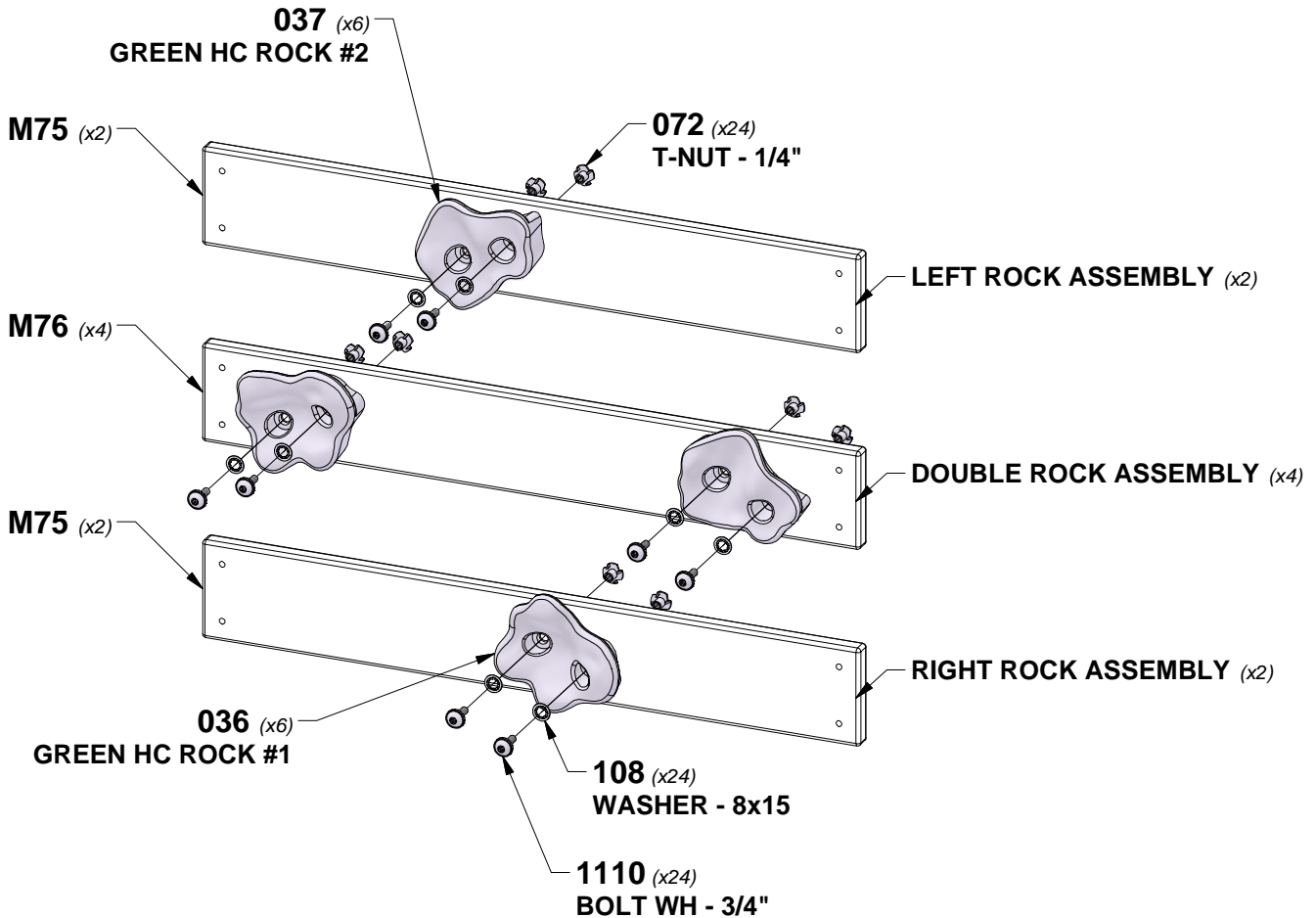
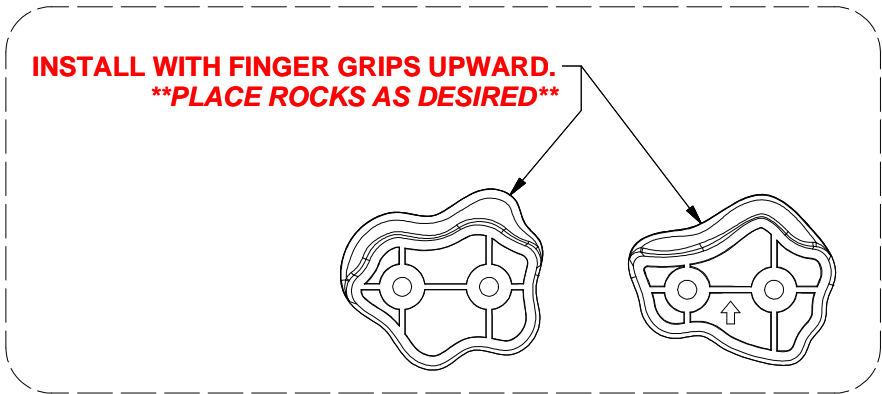


A6P00036
(6) **GREEN HC ROCK #1**



A6P00037
(6) **GREEN HC ROCK #2**

TIP:
INSTALL T-NUTS IN WOOD FIRST

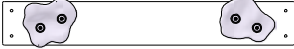


STEP 2 - ROCK WALL

QTY	PART NUMBER	DESCRIPTION
74	H100086	SCREW PFH 8x1-1/2"



(2) LEFT ROCK ASSEMBLY



(4) DOUBLE ROCK ASSEMBLY



(2) RIGHT ROCK ASSEMBLY



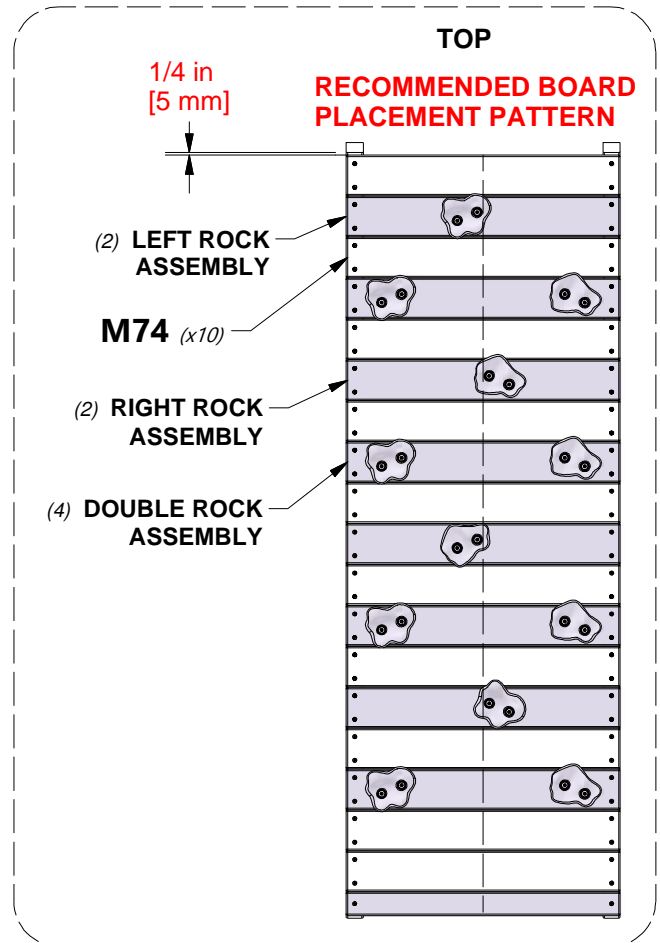
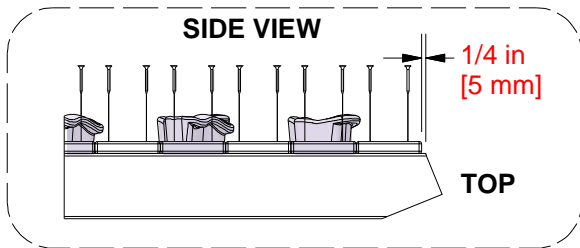
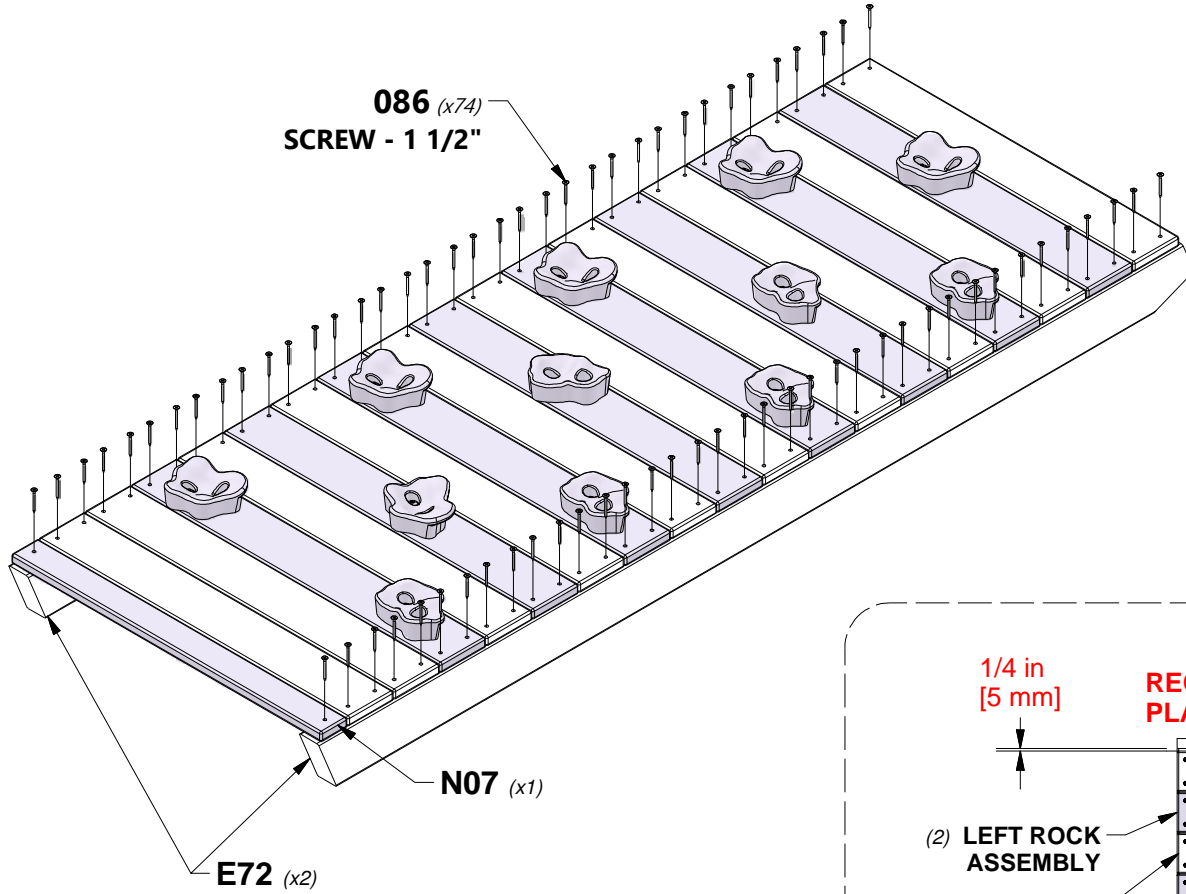
N07 ROCK WALL BOARD - W4L15626
(1) 5/8"x2"x22 7/8" (16x50x580)



M74 ROCK WALL BOARD - W4L15631
(10) 5/8"x3 3/8"x22 7/8" (16x86x580)



E72 ROCKWALL RAIL - W4L15490
(2) 1 3/8"x3 3/8"x64 5/8" (36x86x1640)

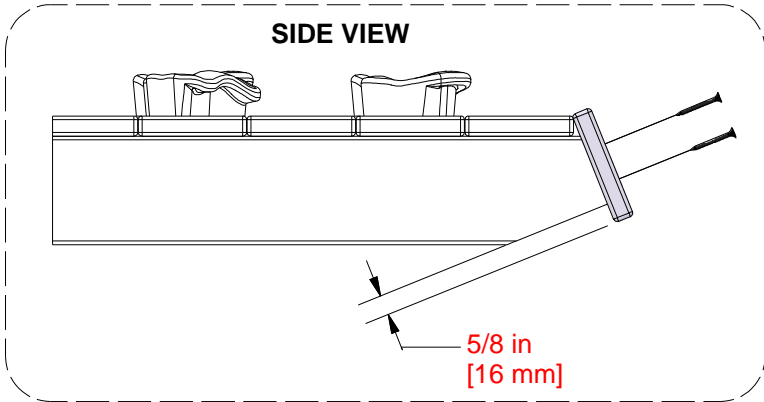
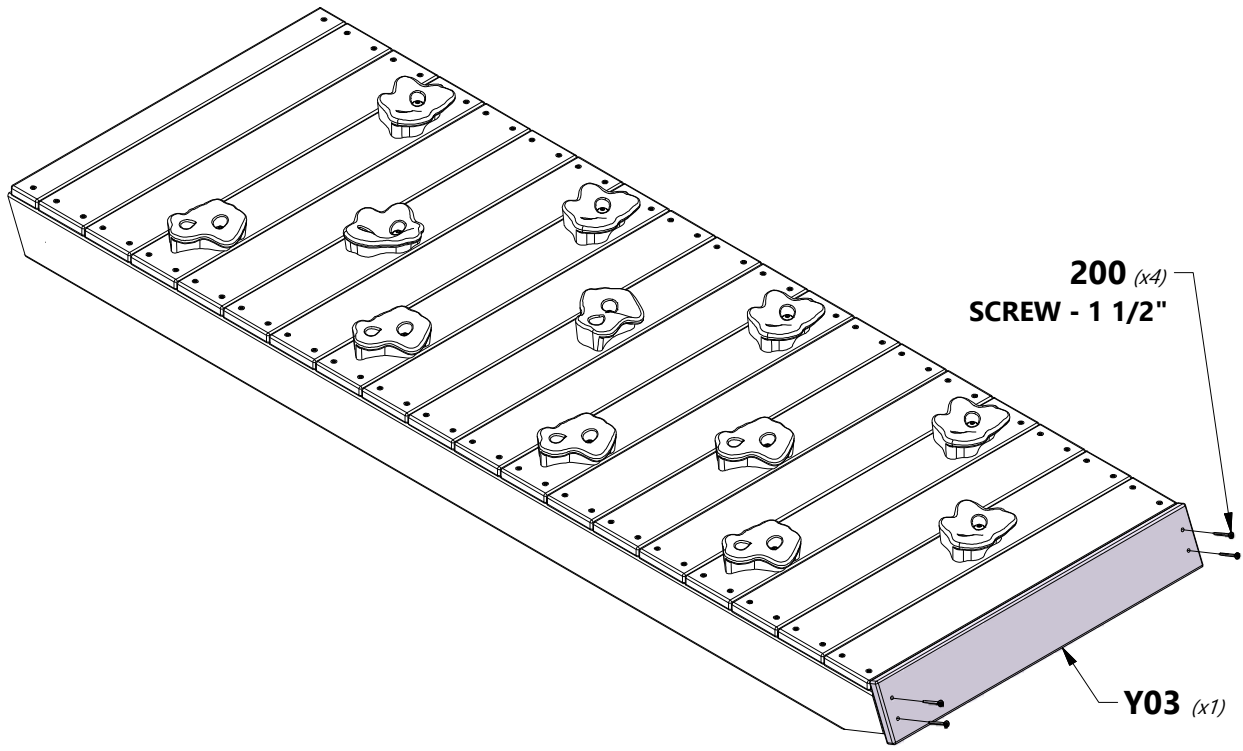


STEP 3 - ROCK WALL

QTY	PART NUMBER	DESCRIPTION
4	H100200	SCREW PFH 8x1-1/2 BLK



Y03 ROCK WALL END BOARD - W4L15644
(1) 5/8"x3 5/8"x22 7/8" (16x92x580)



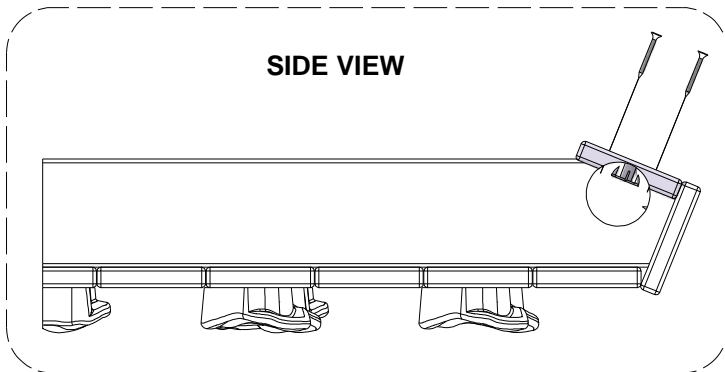
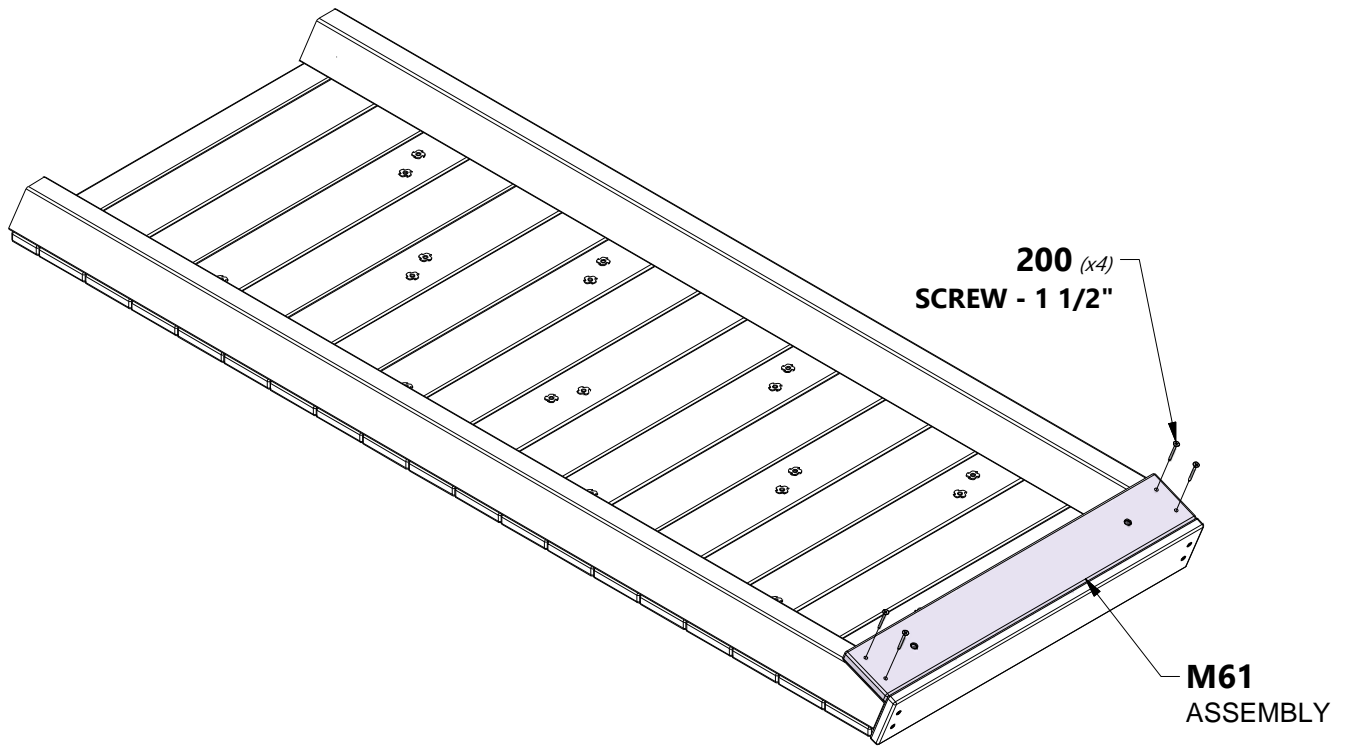
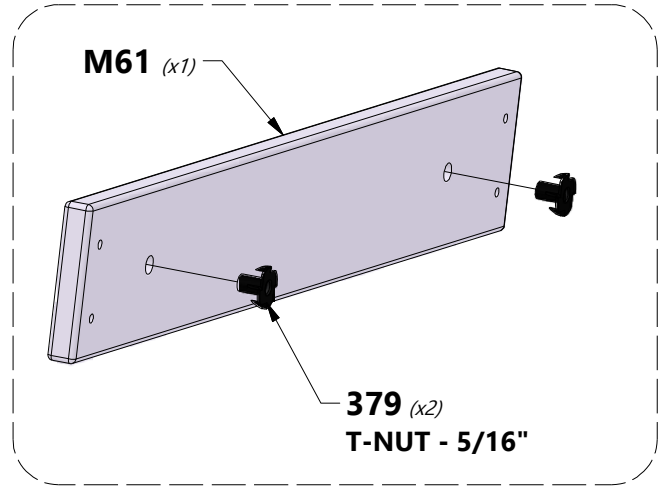
STEP 4 - ROCK WALL

QTY	PART NUMBER	DESCRIPTION
4	H100200	SCREW PFH 8x1-1/2 BLK
2	H100379	T-NUT 5/16 BLK



M61 ATTACHMENT BOARD - W4L15629
 (1) 5/8"x3 3/8"x22 7/8" (16x86x580)

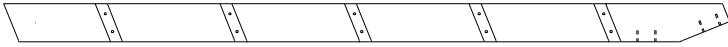
TIP:
INSTALL T-NUTS IN WOOD FIRST



NOTE:
T-NUTS TO THE INSIDE
WHEN INSTALLING BOARD

STEP 1 - LADDER ASSEMBLY

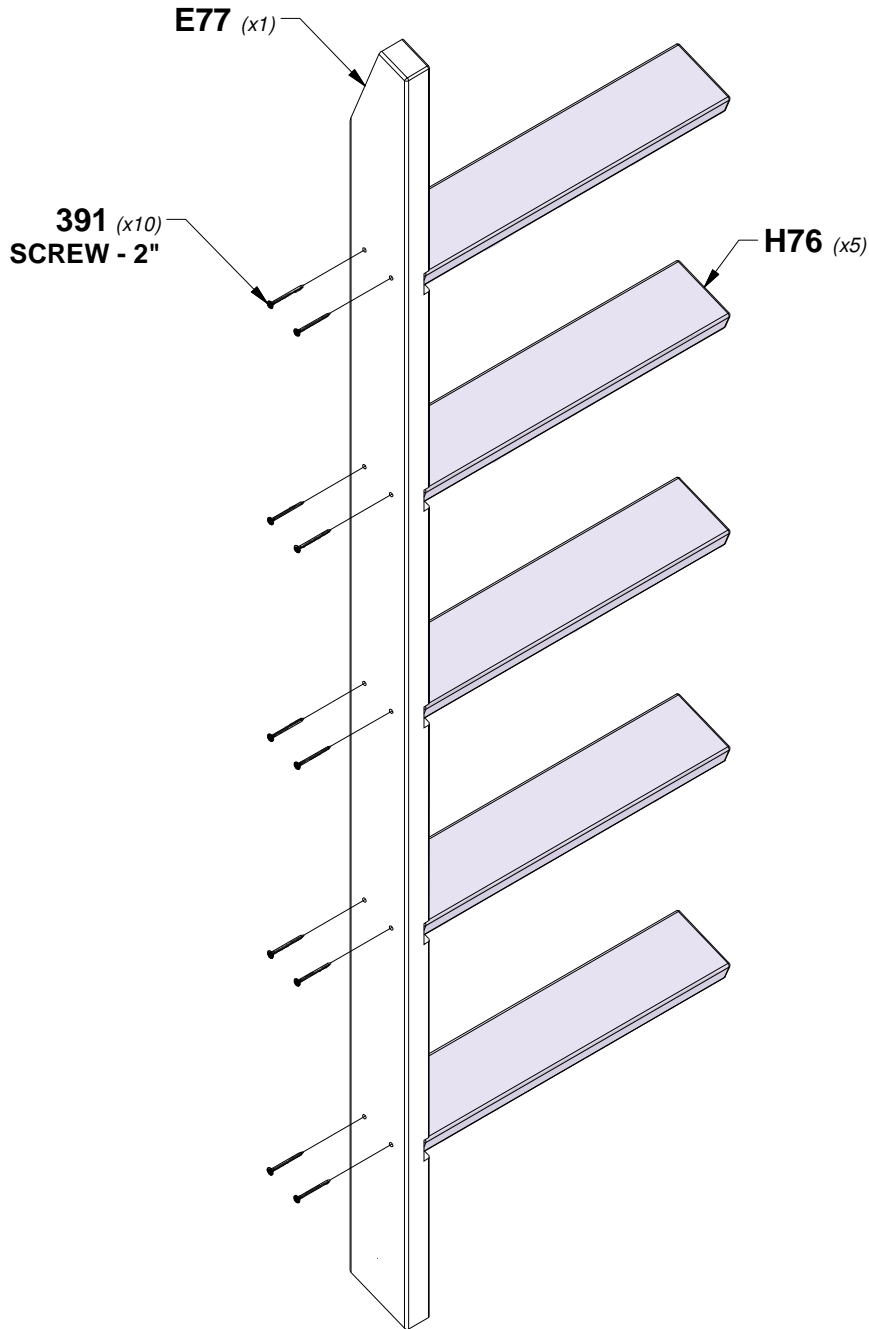
QTY	PART NUMBER	DESCRIPTION
10	H100391	SCREW PFH 8x2 BLK



E77 LEFT UPRIGHT - W4L17061
(1) 1 3/8"x3 3/8"x64 3/8" (36x86x1634)

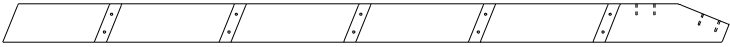


H76 LADDER RUNG - W4L15491
(5) 1"x3 3/8"x18 1/8" (24x86x460)

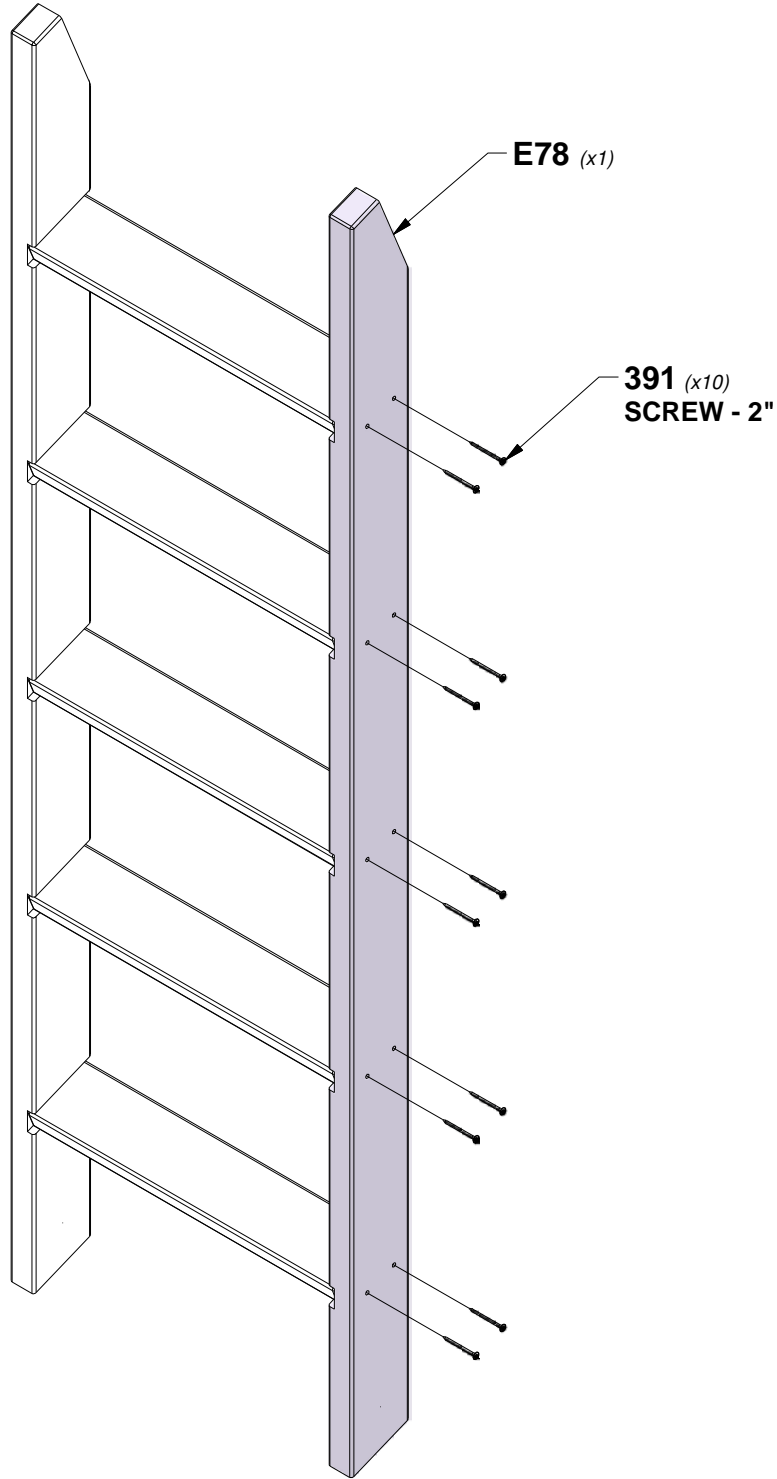


STEP 2 - LADDER ASSEMBLY

QTY	PART NUMBER	DESCRIPTION
10	H100391	SCREW PFH 8x2 BLK



E78 RIGHT UPRIGHT - W4L17062
(1) 1 3/8"x3 3/8"x64 3/8" (36x86x1634)



STEP 3 - LADDER ASSEMBLY

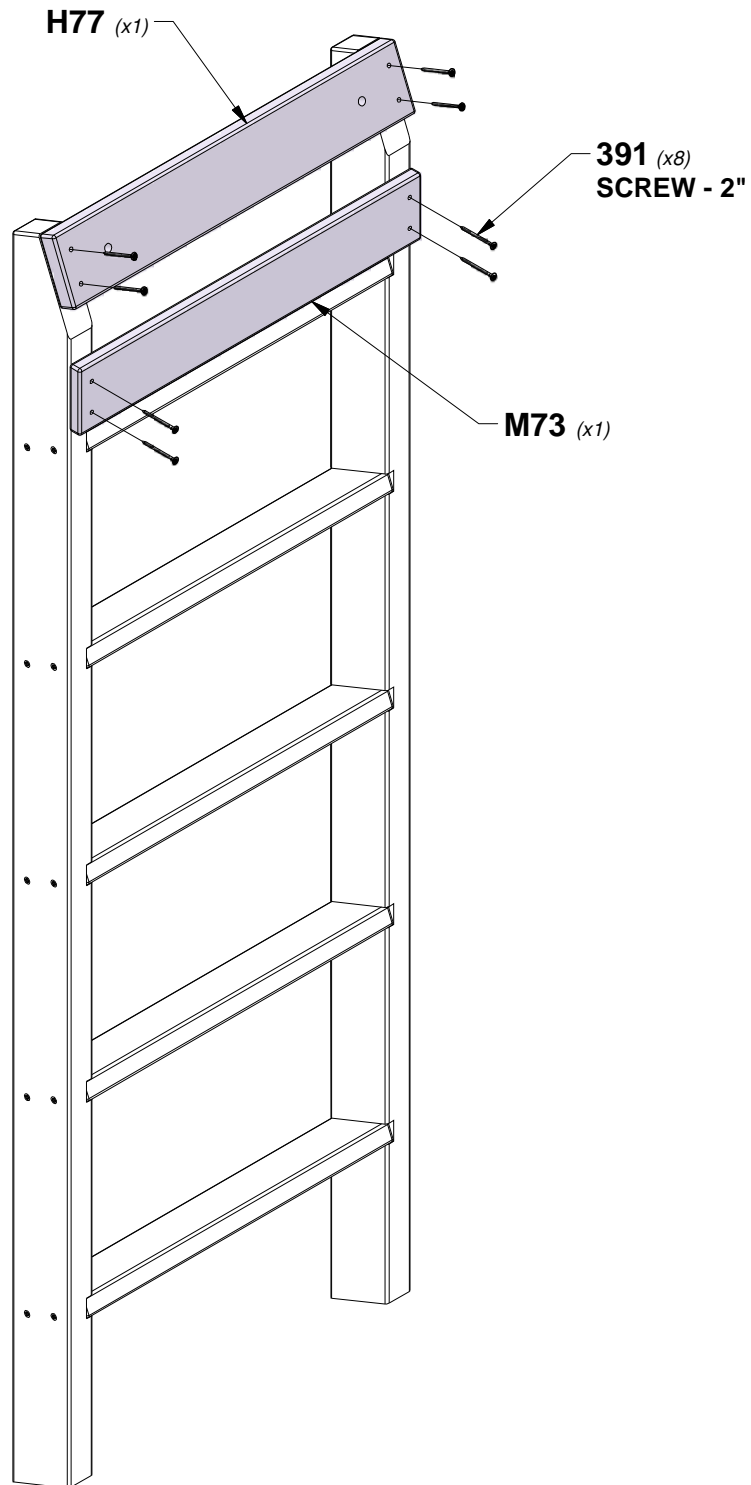
QTY	PART NUMBER	DESCRIPTION
8	H100391	SCREW PFH 8x2 BLK



H77 ATTACHMENT BOARD - W4L15492
(1) 1"x3 3/8"x20 1/8" (24x86x512)



M73 REAR SUPPORT - W4L15630
(1) 5/8"x3 3/8"x20 1/8" (16x86x512)

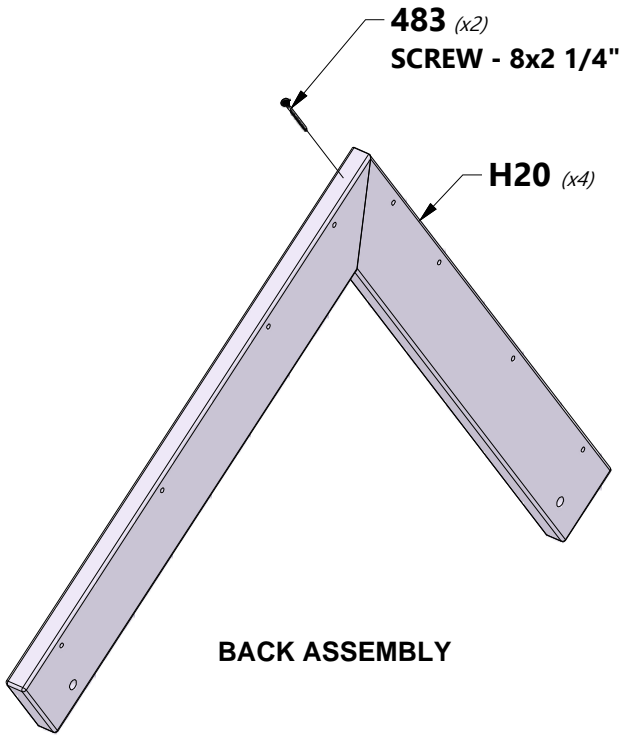
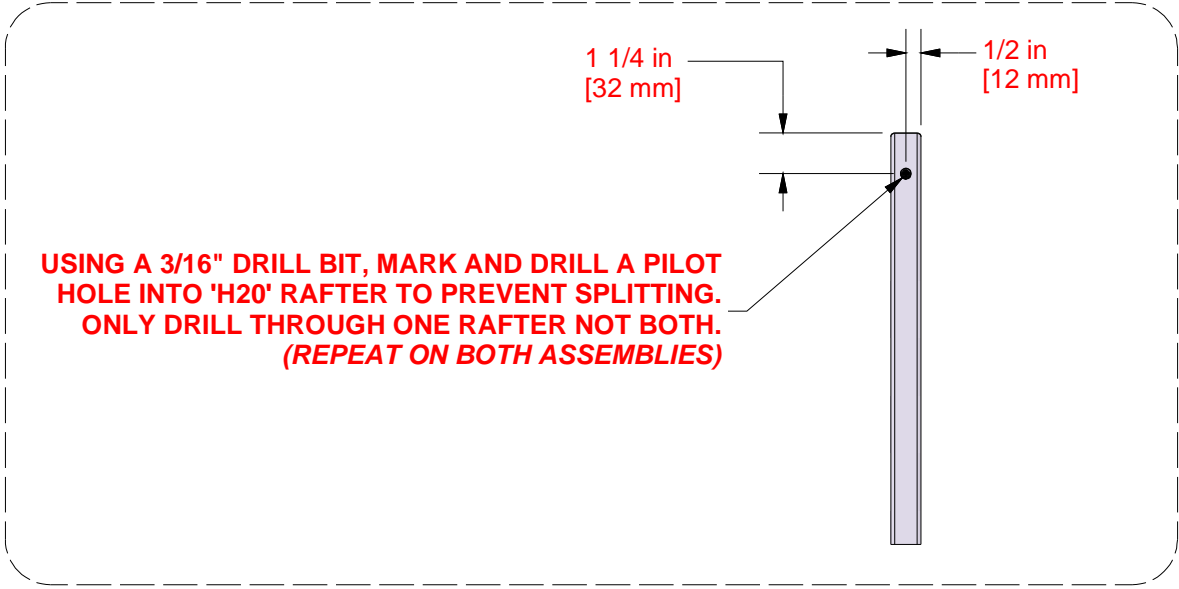


STEP 1 - PORCH ROOF ASSEMBLY

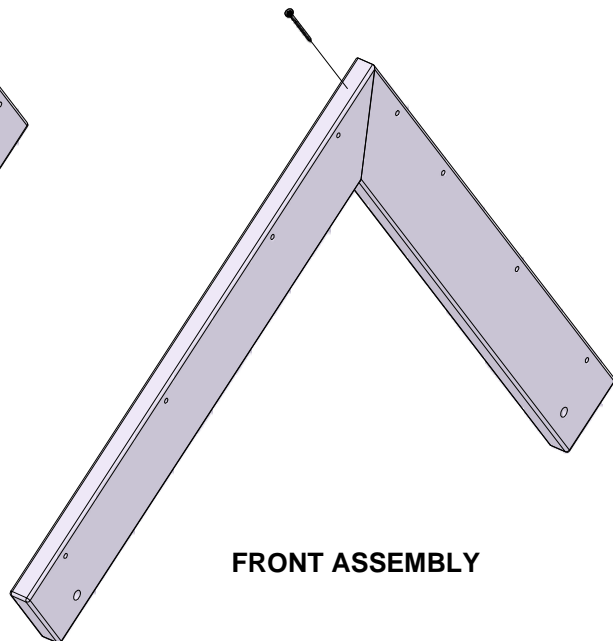
QTY	PART NUMBER	DESCRIPTION
2	H100483	SCREW PFH 8x2 1/4 BLK



H20 PORCH ROOF RAFTER - W4L15481
 (4) 1"x3 3/8"x24 1/2" (24x86x622)



BACK ASSEMBLY



FRONT ASSEMBLY

STEP 2 - PORCH ROOF ASSEMBLY

QTY	PART NUMBER	DESCRIPTION
4	H100202	SCREW PWH 8x5/8 BLK
6	H100380	SCREW PFH 8x1 1/8 BLK



M19 FRONT PORCH ROOF SUPPORT - W4L15621
 (1) 5/8"x3 3/8"x30 5/8" (16x86x779)

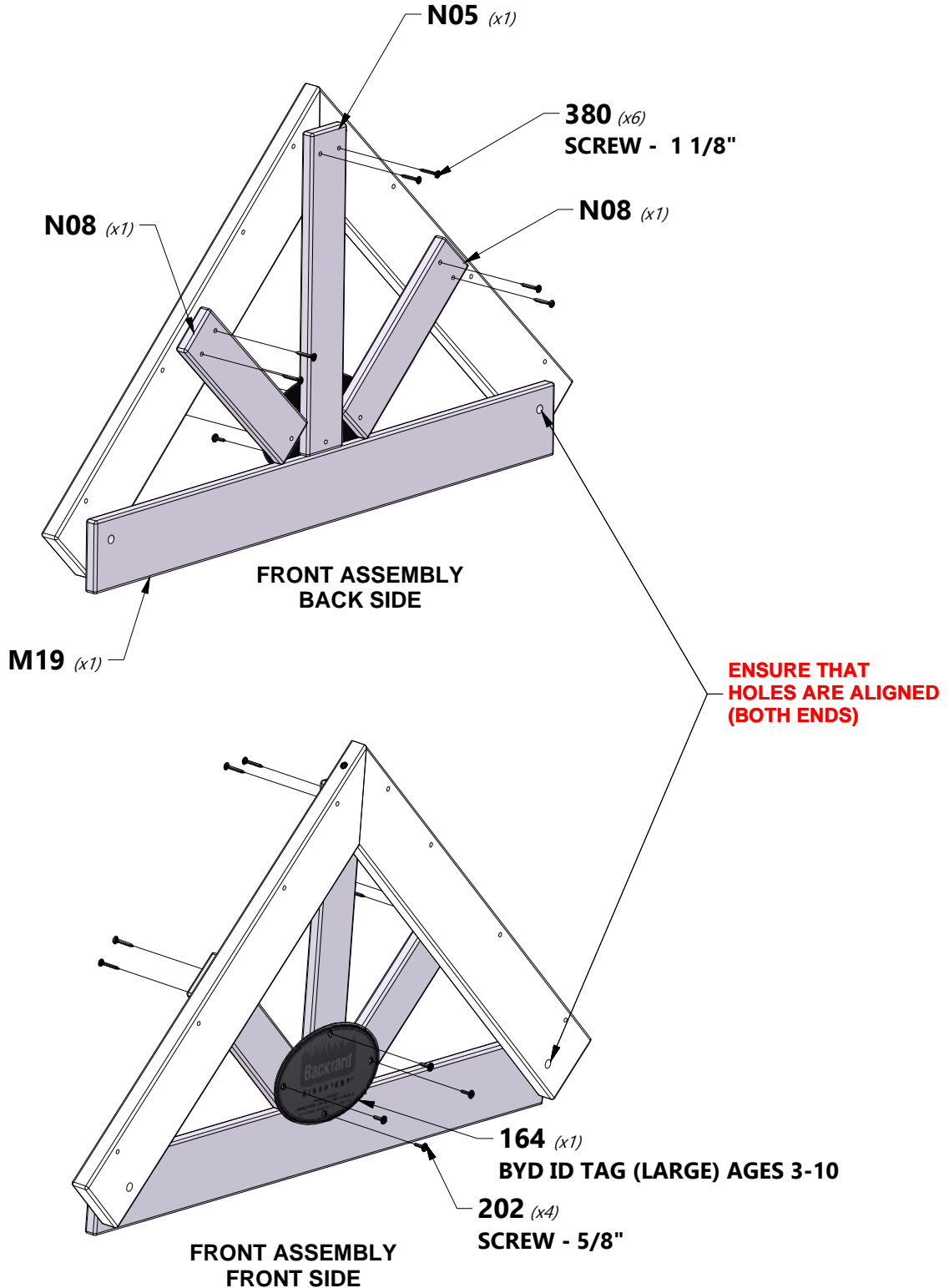


N08 FRONT PORCH GABLE TRIM - W4L15640
 (2) 5/8"x2 3/8"x9 1/2" (16x60x241)



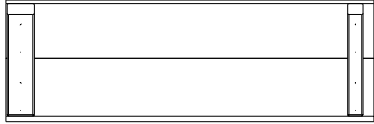
A100164 BYD ID TAG (LARGE) AGES 3-10
 (1)

N05 FRONT PORCH GABLE TRIM - W4L15638
 (1) 5/8"x2 3/8"x15" (16x60x381)

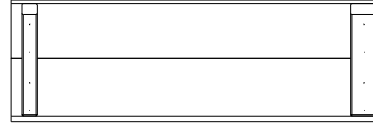


STEP 3 - PORCH ROOF ASSEMBLY

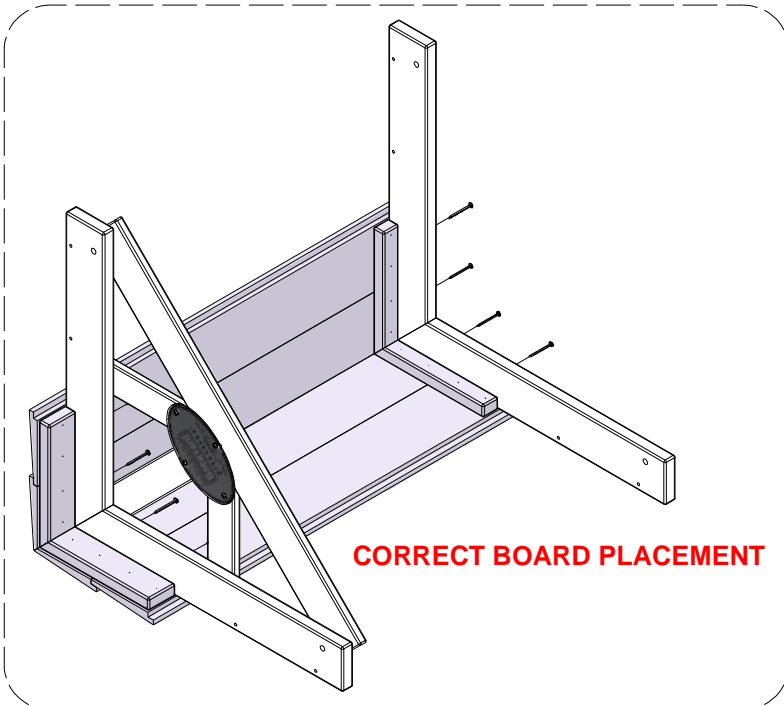
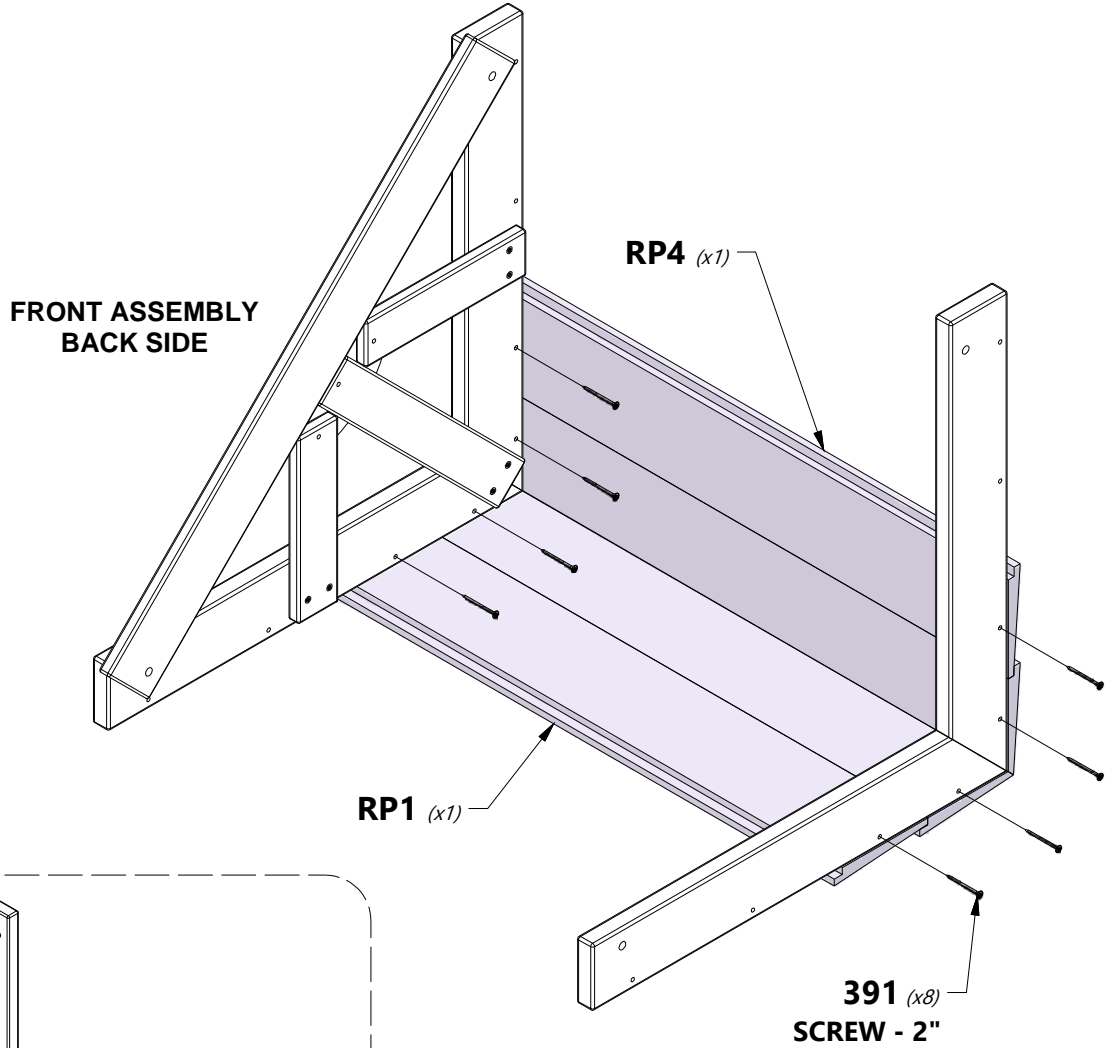
QTY	PART NUMBER	DESCRIPTION
8	H100391	SCREW PFH 8x2 BLK



RP1 ROOF PANEL - W2A03265
 (1) 1 5/8"x10 1/2"x32 7/8" (42x268x812)

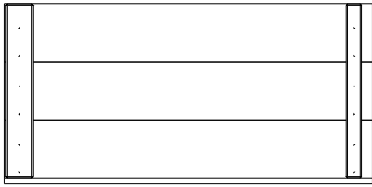


RP4 ROOF PANEL - W2A03268
 (1) 1 5/8"x10 1/2"x32 7/8" (42x268x812)



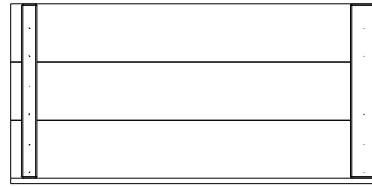
STEP 4 - PORCH ROOF ASSEMBLY

QTY	PART NUMBER	DESCRIPTION
8	H100391	SCREW PFH 8x2 BLK



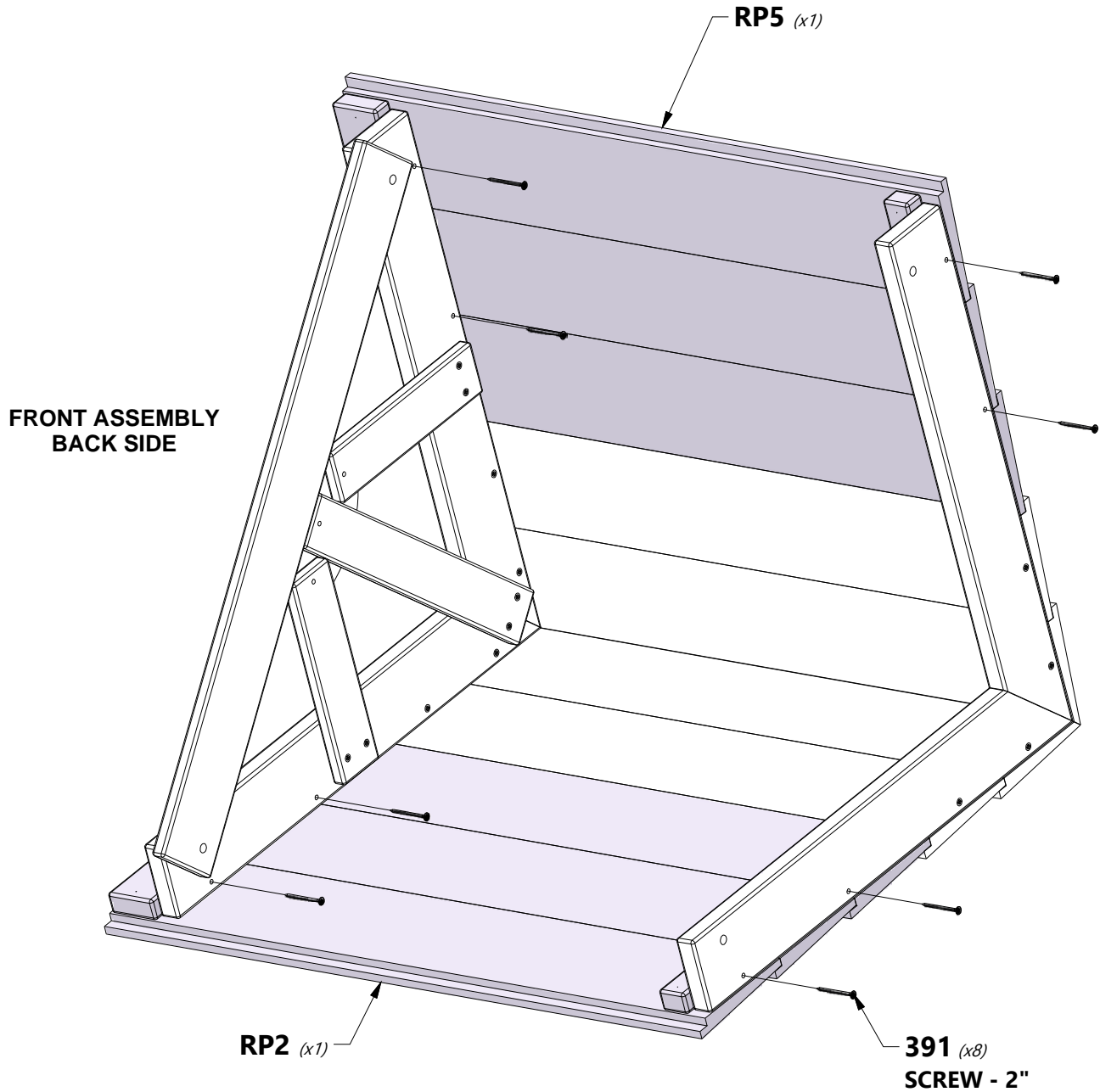
RP2 ROOF PANEL - W2A03266

(1) 1 5/8"x15 5/8"x32 7/8" (42x396x812)



RP5 W2A03269 - RIGHT PORCH ROOF PANEL

(1) 1 5/8"x15 5/8"x32 7/8" (42x396x812)

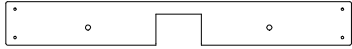


STEP 1 - CROWS NEST ASSEMBLY

QTY	PART NUMBER	DESCRIPTION
4	H100201	SCREW PFH 8x2-1/2 BLK
4	H100379	T-NUT 5/16 BLK

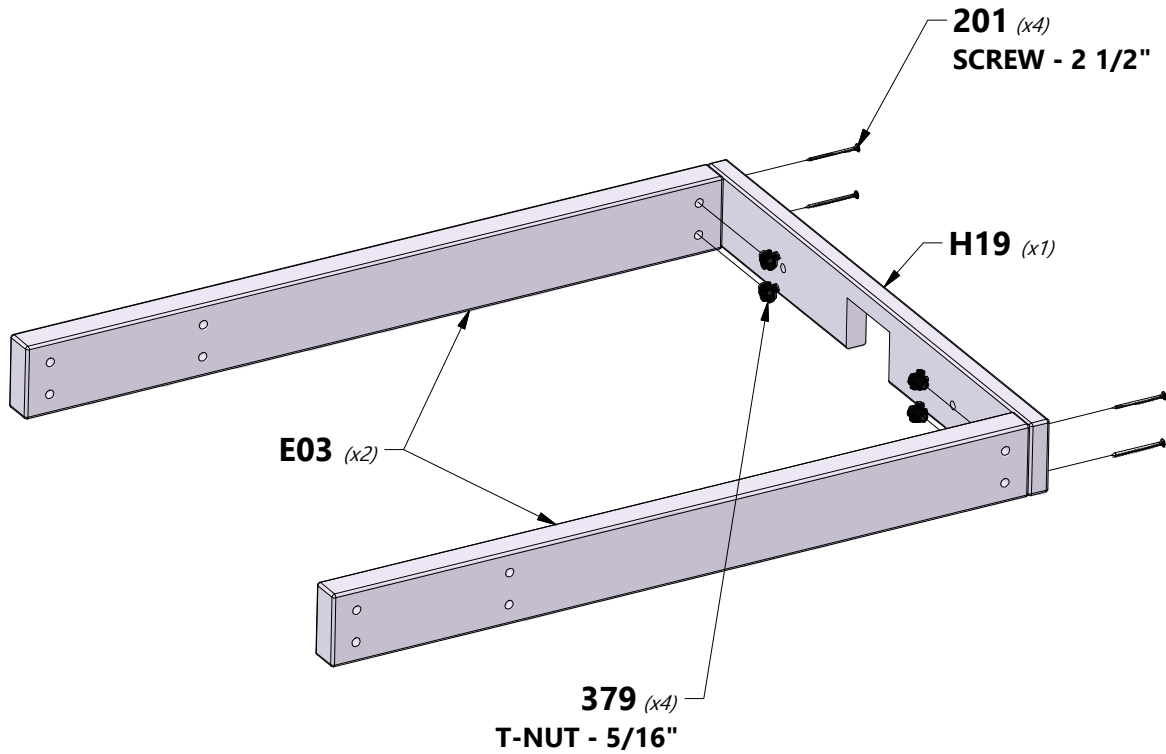


E03 CROWS NEST FLOOR RAIL - W4L15450
 (2) 1 3/8"x3 3/8"x33 1/2" (36x86x852)



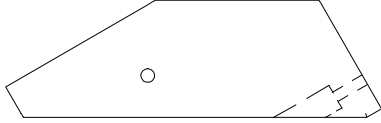
H19 CROWS NEST FLOOR RAIL - W4L15480
 (1) 1"x3 3/8"x27" (24x86x686)

TIP:
INSTALL T-NUTS IN WOOD FIRST



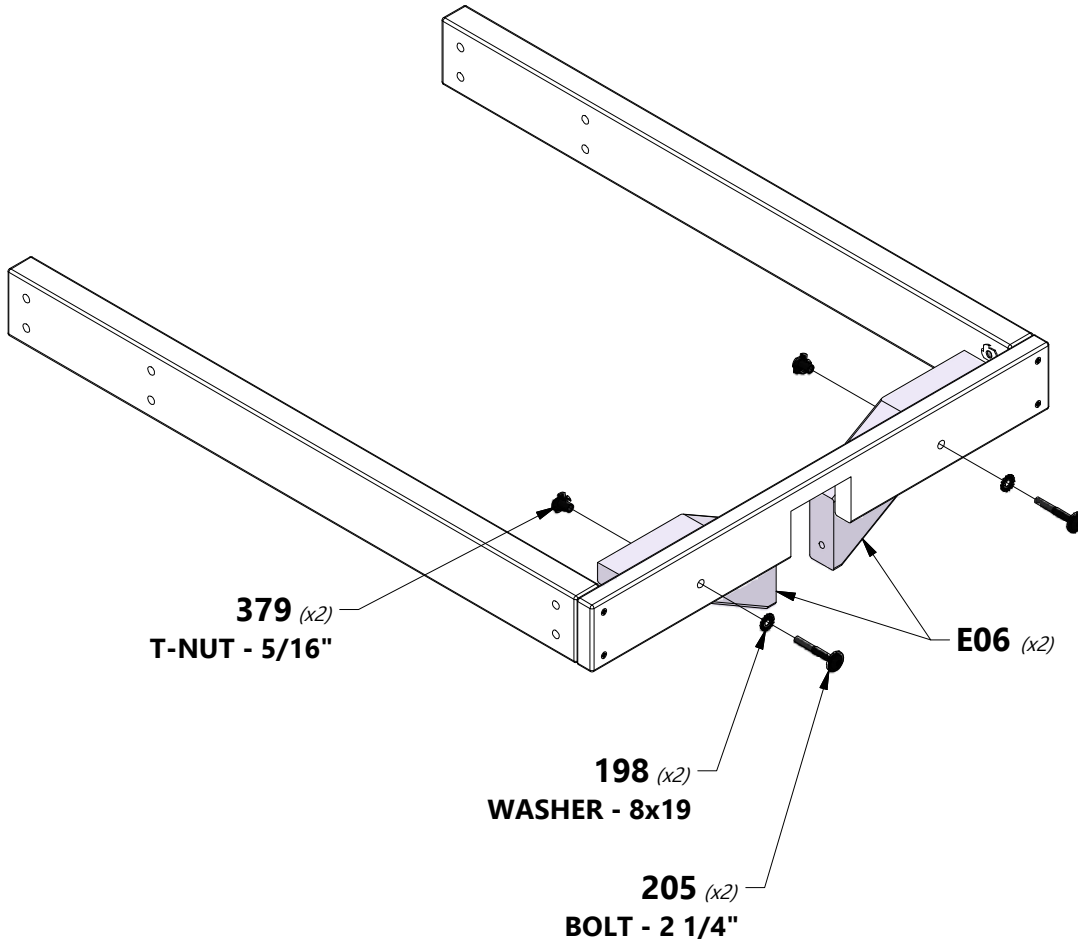
STEP 2 - CROWS NEST ASSEMBLY

QTY	PART NUMBER	DESCRIPTION
2	H100198	WASHER LOCK EXT 8x19 BLK
2	H100205	BOLT WH 5/16x2-1/4 BLK
2	H100379	T-NUT 5/16 BLK



E06 CROWS NEST DECK BRACE - W4L15451
 (2) 1 7/16"x3 3/8"x10 7/8" (36x86x276)

TIP:
INSTALL T-NUTS IN WOOD FIRST



STEP 3 - CROWS NEST ASSEMBLY

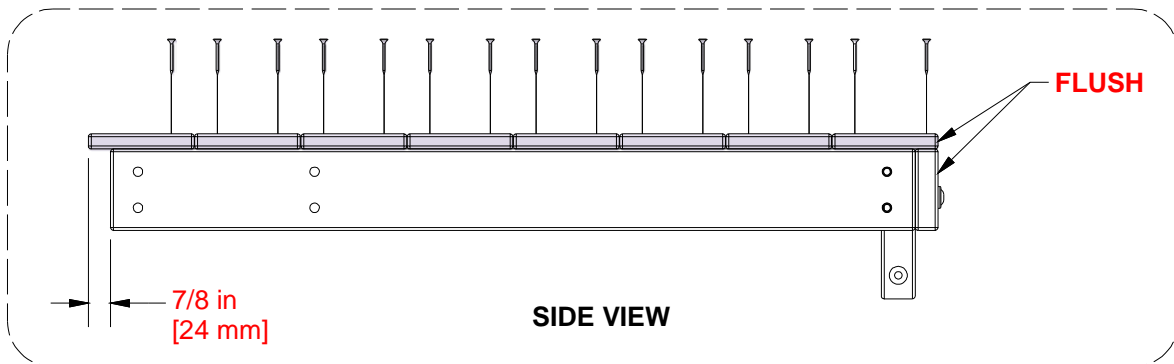
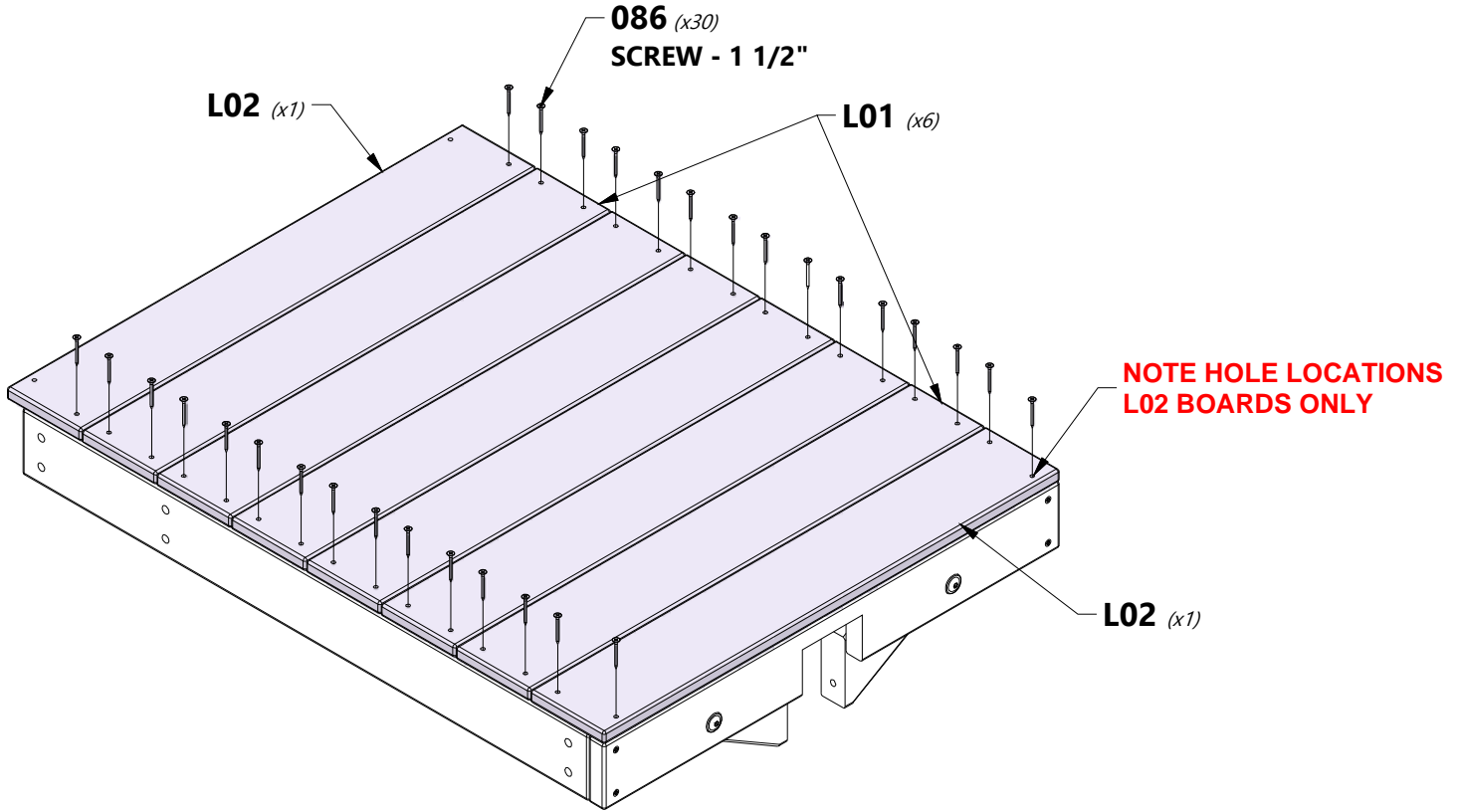
QTY	PART NUMBER	DESCRIPTION
30	H100086	SCREW PFH 8x1-1/2"



L01 CROWS NEST FLOOR BOARD - W4L15497
 (6) 5/8"x4 3/8"x27" (16x112x686)

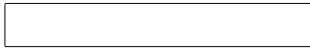


L02 CROWS NEST FLOOR BOARD - W4L15650
 (2) 5/8"x4 3/8"x27" (16x112x686)



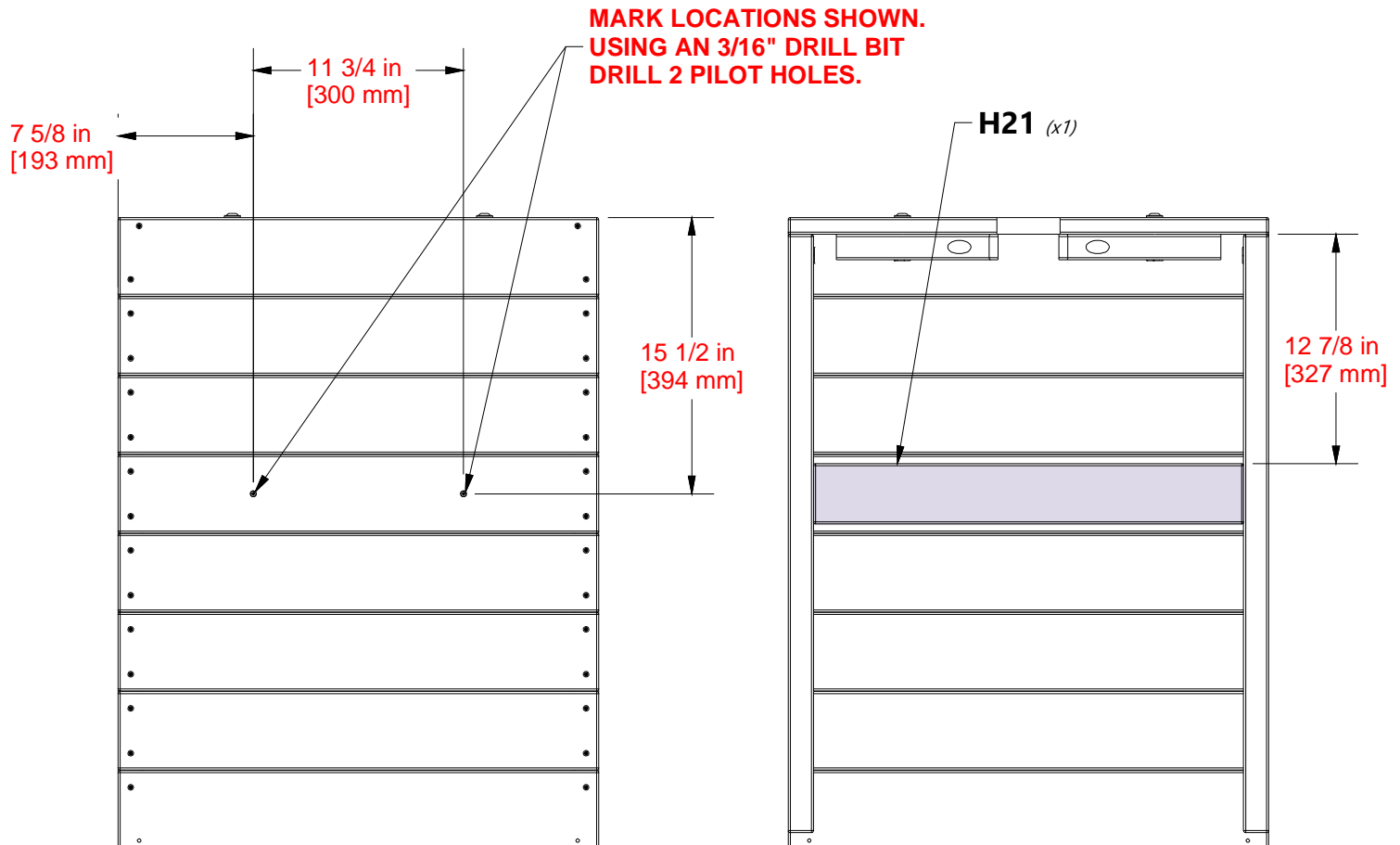
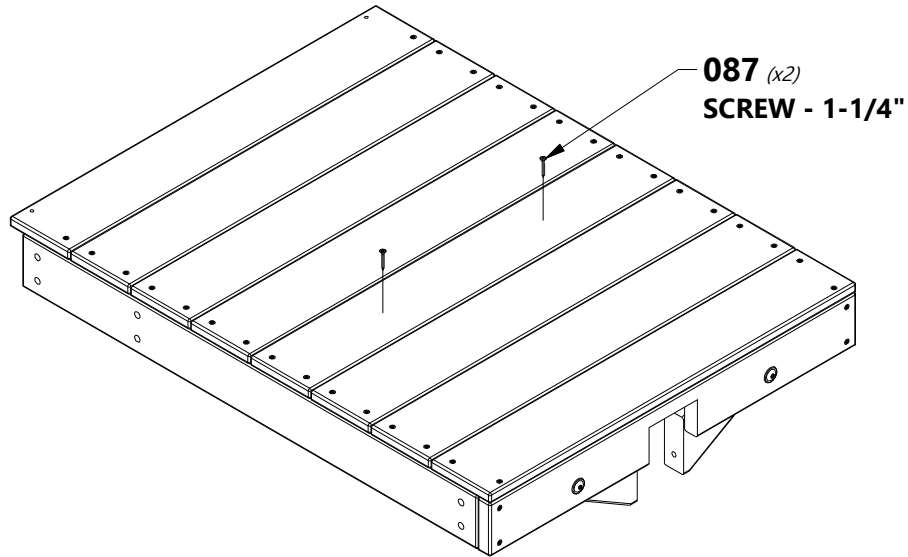
STEP 4 - CROWS NEST ASSEMBLY

QTY	PART NUMBER	DESCRIPTION
2	H100087	SCREW PFH 8x1-1/4"



H21 CROWS NEST FLOOR SUPPORT - W4L15482

(1) 1"x3 3/8"x24 1/8" (24x86x614)

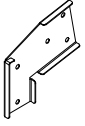


STEP 1 - SWING BEAM ASSEMBLY

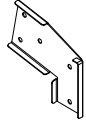
QTY	PART NUMBER	DESCRIPTION
3	H100192	NUT BARREL WH 5/16x7/8 BLK
3	H100416	BOLT WH 5/16x3 BLK
2	H100476	BOLT HEX 5/16x4 1/4 BLK
2	H100479	NUT LOCK 5/16 BLK
4	H100770	WASHER FLAT 5/16 BLK



A1 SWING BEAM - W4L15645
 (1) 3 3/8"x5 1/4"x89 1/2" (86x134x2274)



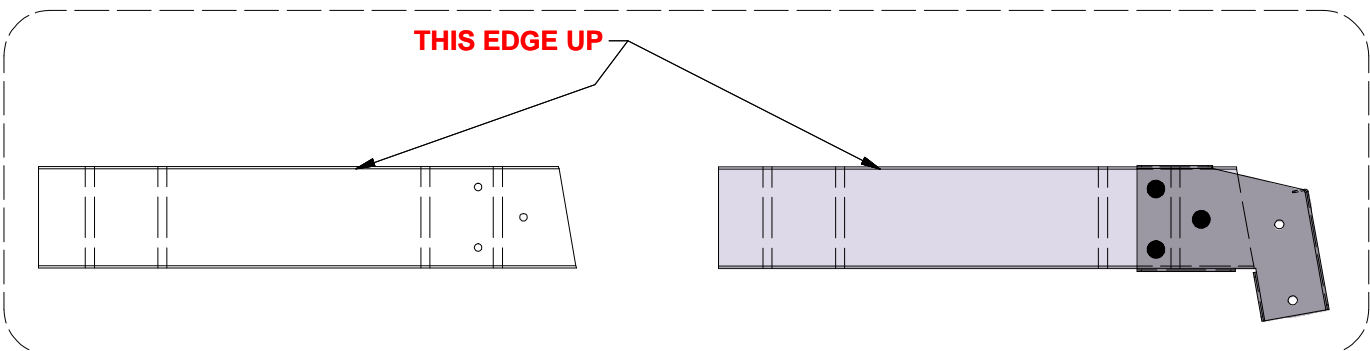
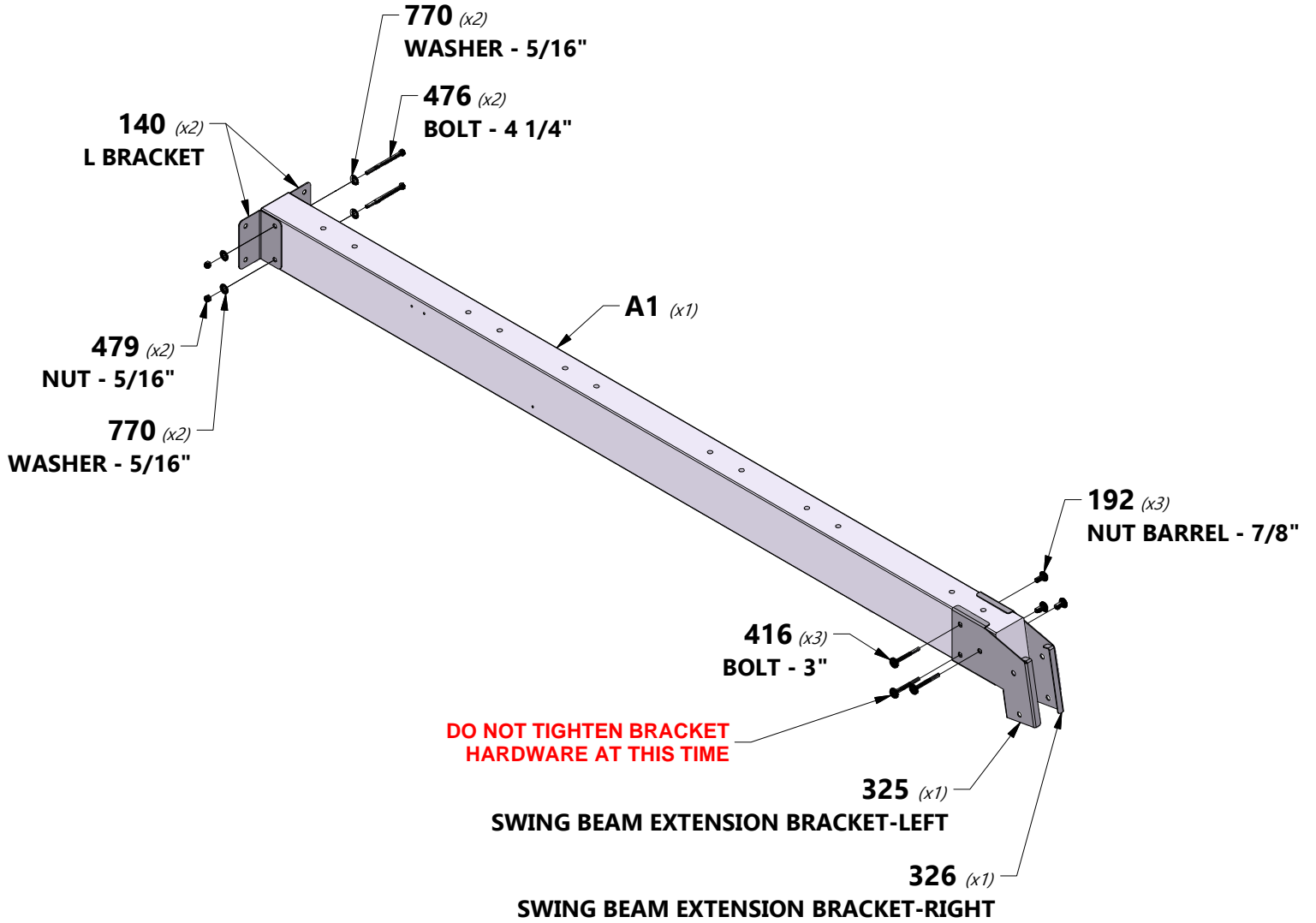
**A100325 SWING BEAM
 EXTENSION
 BRACKET-LEFT**
 (1)



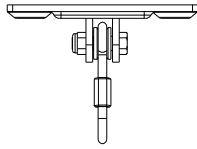
**A100326 SWING BEAM
 EXTENSION
 BRACKET-RIGHT**
 (1)



A100140 L BRACKET
 (2) 66x66x127



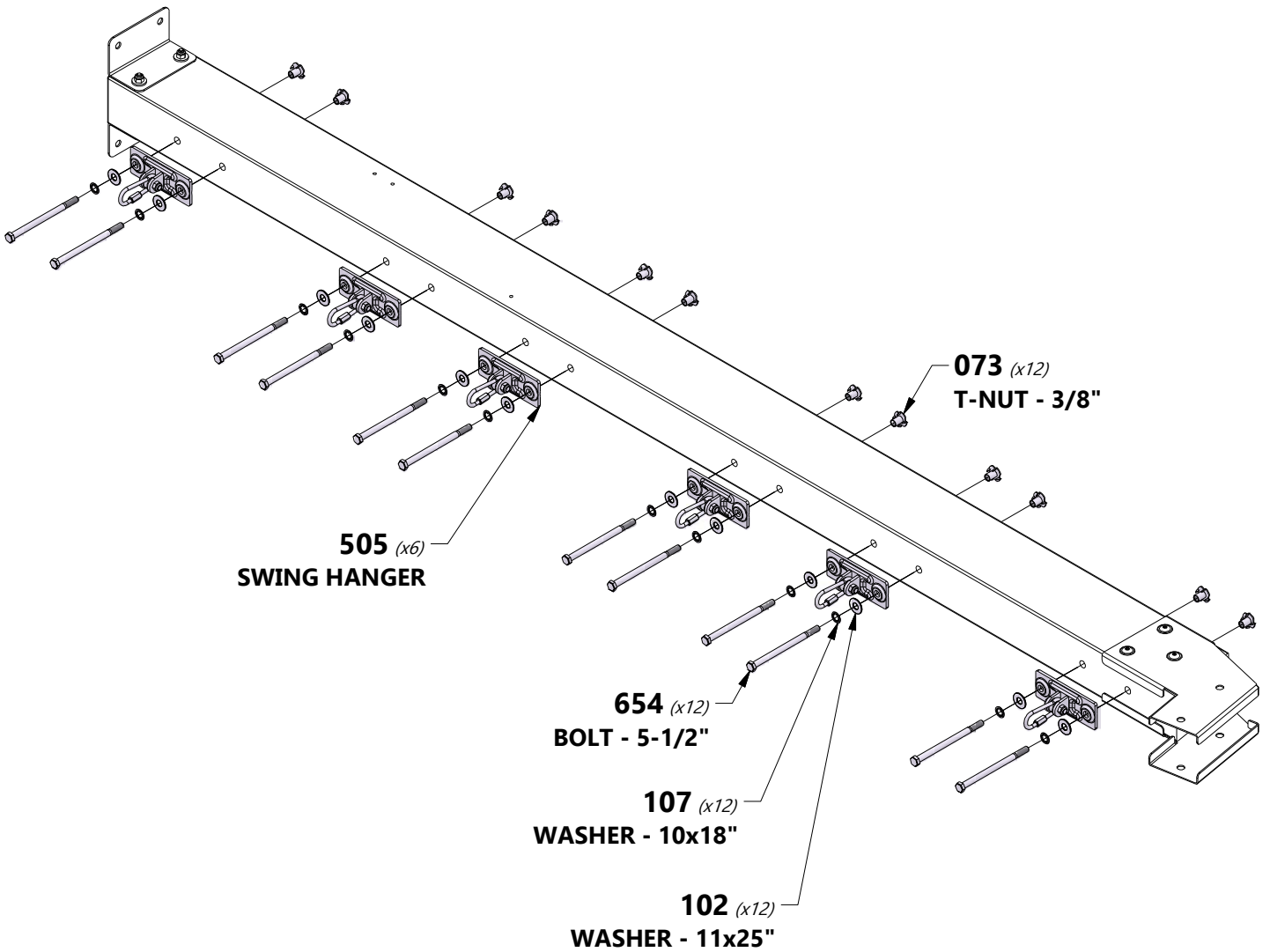
STEP 2 - SWING BEAM ASSEMBLY



A4M00505
(6) **SWING HANGER**

QTY	PART NUMBER	DESCRIPTION
12	H100073	T-NUT 3/8
12	H100102	WASHER FLAT 11x25
12	H100107	WASHER LOCK INT 10x18
12	H100654	BOLT HEX 3/8x5-1/2

TIP:
INSTALL T-NUTS IN WOOD FIRST



STEP 3 - SWING BEAM ASSEMBLY

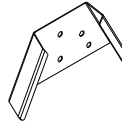
QTY	PART NUMBER	DESCRIPTION
6	H100379	T-NUT 5/16 BLK
4	H100407	BOLT WH 5/16x1 1/2 BLK
2	H100503	BOLT WH 5/16x3-1/2 BLK



E04 ANGLE BRACE - W4L15649
 (2) 1 3/8"x3 3/8"x87 1/8" (36x86x2212)

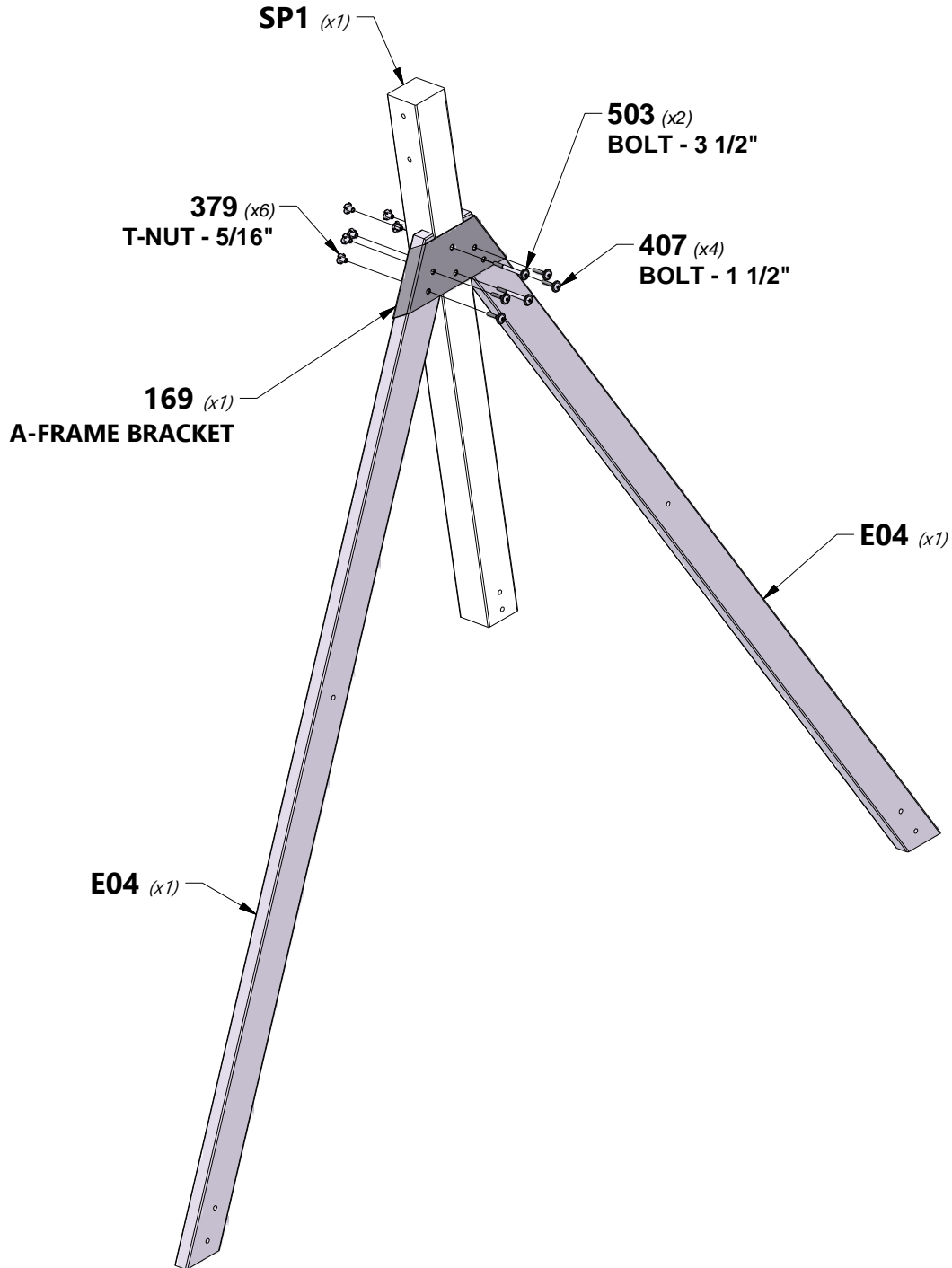


SP1 SWING BEAM SUPPORT - W4L15647
 (1) 3 3/8"x3 3/8"x48 3/8" (86x86x1229)

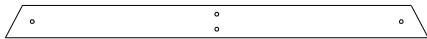


A4M01169 A-FRAME BRACKET
 (1)

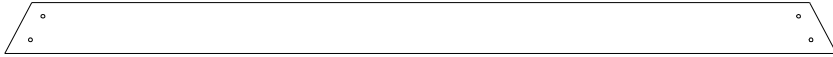
TIP:
INSTALL T-NUTS IN WOOD FIRST



STEP 4 - SWING BEAM ASSEMBLY



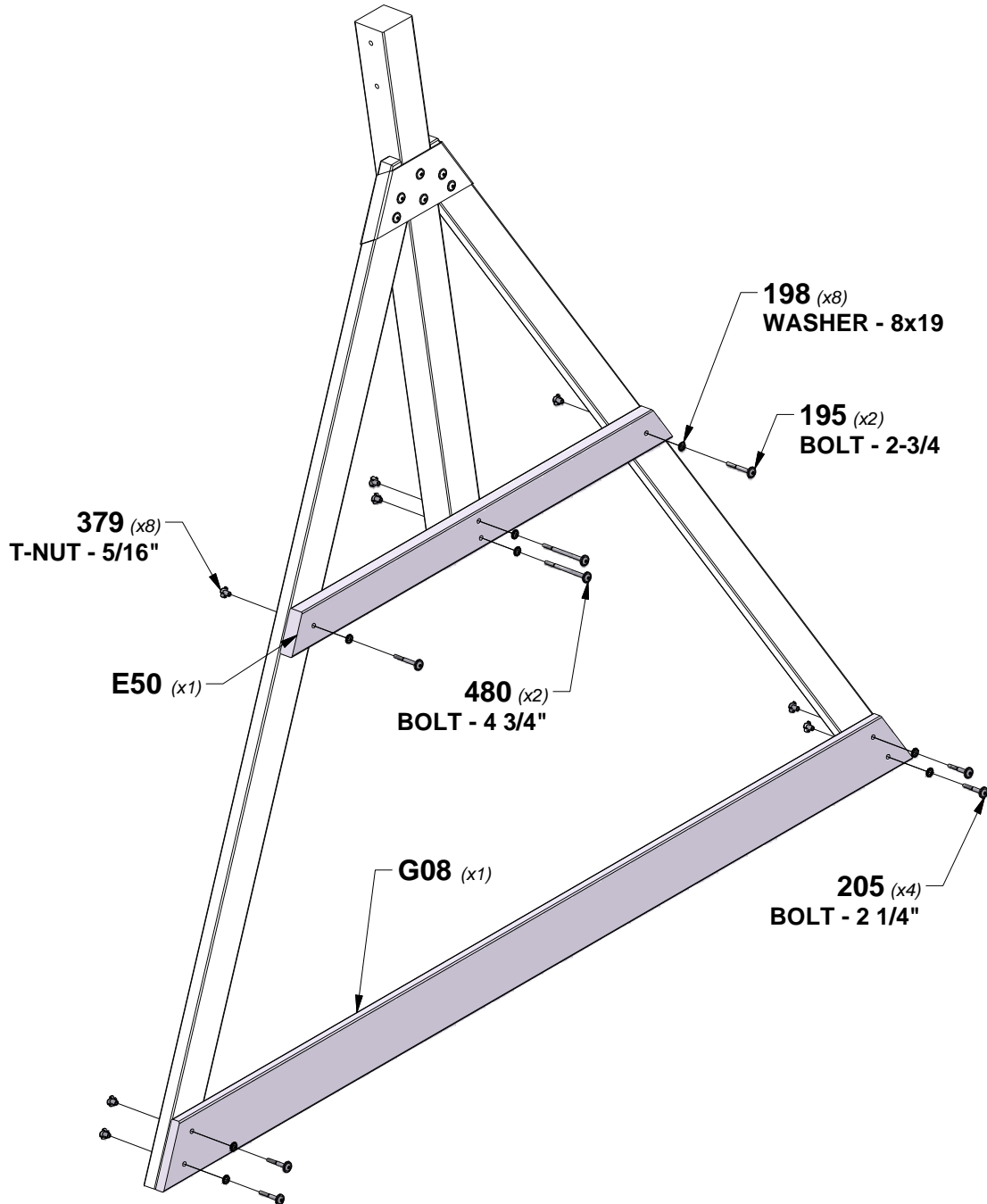
E50 END SUPPORT - W4L15651
 (1) 1 3/8"x3 3/8"x44 1/8" (36x86x1120)



G08 GROUND BOARD - W4L15652
 (1) 1"x5 1/4"x86 3/4" (24x134x2202)

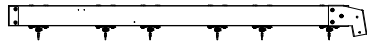
QTY	PART NUMBER	DESCRIPTION
2	H100195	BOLT WH 5/16x2-3/4 BLK
8	H100198	WASHER LOCK EXT 8x19 BLK
4	H100205	BOLT WH 5/16x2-1/4 BLK
8	H100379	T-NUT 5/16 BLK
2	H100480	BOLT WH 5/16x4 3/4 BLK

TIP:
INSTALL T-NUTS IN WOOD FIRST

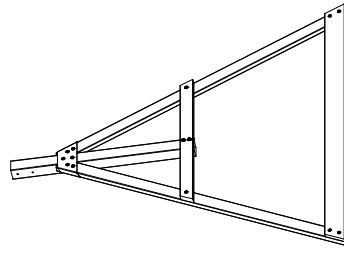


STEP 5 - SWING BEAM ASSEMBLY

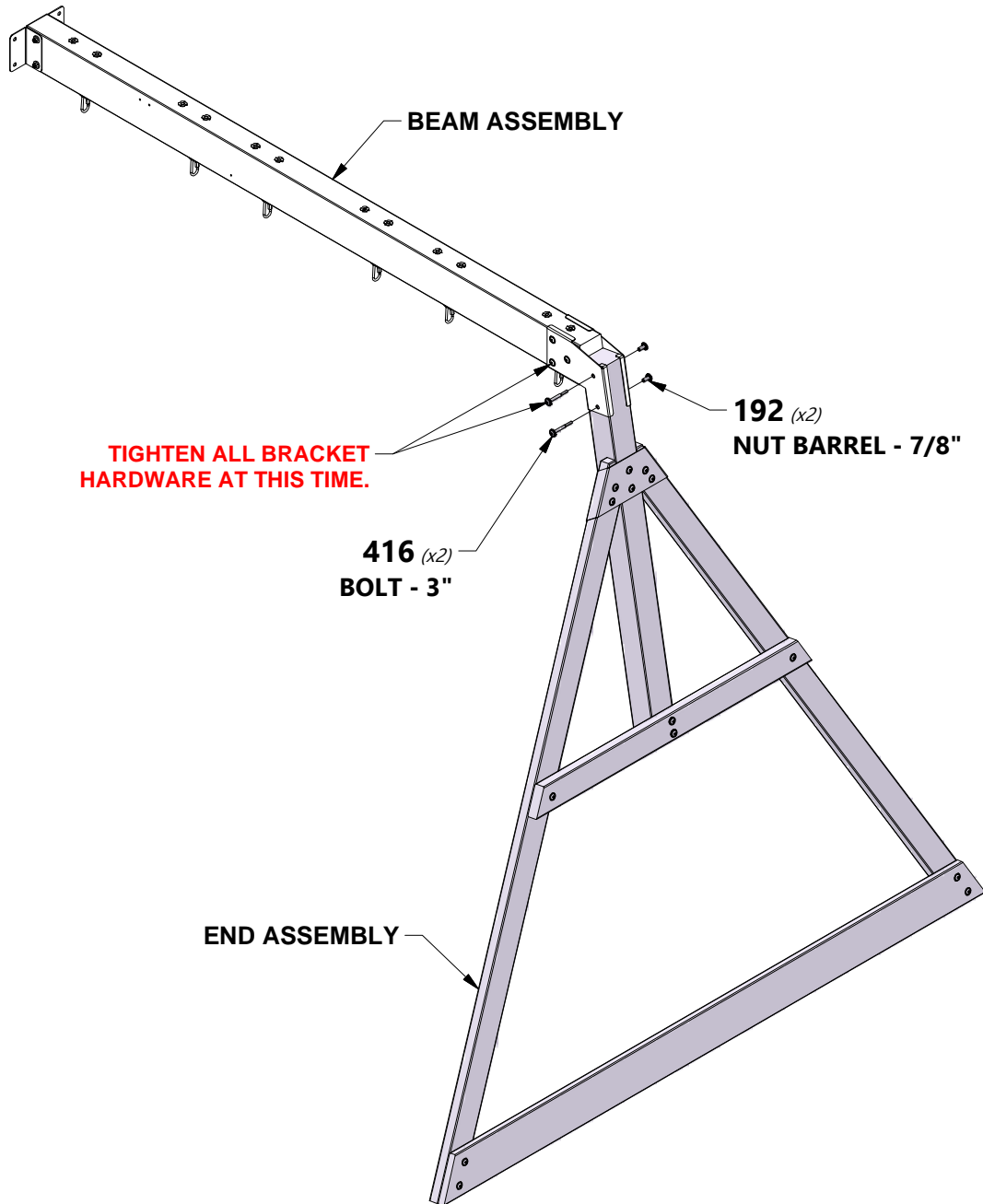
QTY	PART NUMBER	DESCRIPTION
2	H100192	NUT BARREL WH 5/16x7/8 BLK
2	H100416	BOLT WH 5/16x3 BLK



(1) BEAM ASSEMBLY



(1) END ASSEMBLY



STEP 1 - FORT ASSEMBLY

QTY	PART NUMBER	DESCRIPTION
12	H100198	WASHER LOCK EXT 8x19 BLK
4	H100205	BOLT WH 5/16x2-1/4 BLK
12	H100379	T-NUT 5/16 BLK
8	H100415	BOLT WH 5/16x3 3/4 BLK



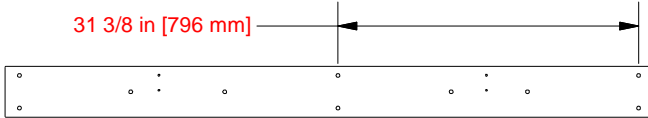
P01 TOWER LEG - W2A03272
(1) 3"x3"x89 1/2" (77x76x2274)



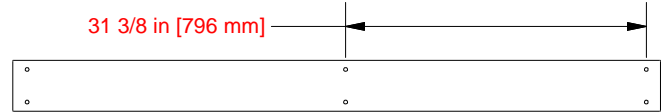
E01 TOWER LEG - W4L15448
(1) 1 3/8"x3 3/8"x59" (36x86x1500)



B03 TOWER LEG - W4L15442
(1) 3"x3"x59" (76x76x1500)

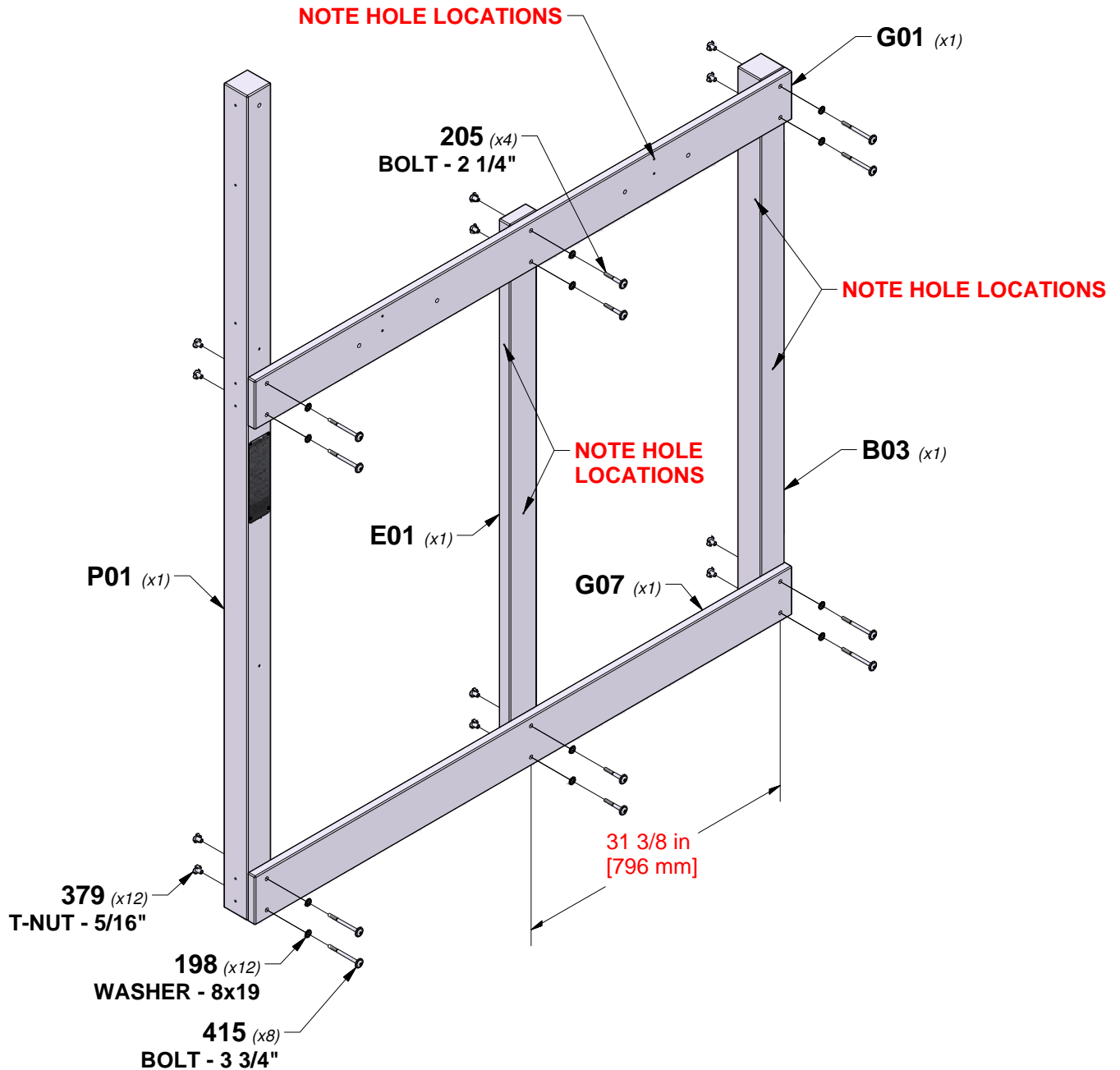


G01 TOP FLOOR RAIL - W4L15458
(1) 1"x5 1/4"x67 1/2" (24x134x1715)



G07 BOTTOM FLOOR RAIL - W4L15463
(1) 1"x5 1/4"x67 1/2" (24x134x1715)

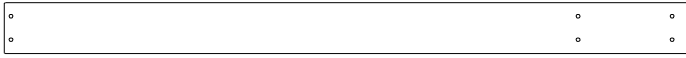
TIP:
INSTALL T-NUTS IN WOOD FIRST



STEP 3 - FORT ASSEMBLY



G03 FLOOR RAIL - W4L15460
 (1) 1"x5 1/4"x71 1/4" (24x134x1810)



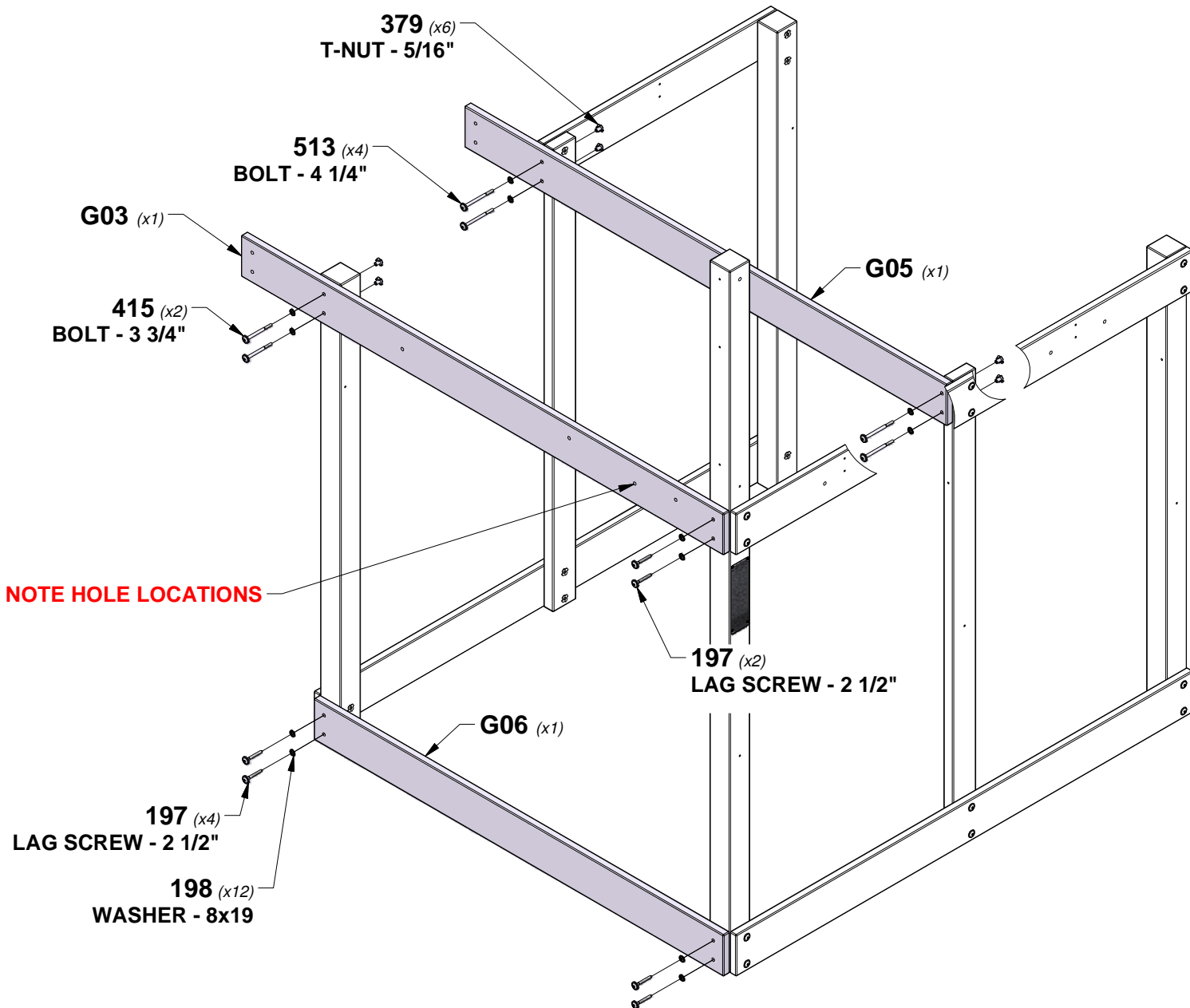
G05 FLOOR RAIL - W4L15493
 (1) 1"x5 1/4"x71 1/4" (24x134x1810)



G06 FLOOR RAIL - W4L15462
 (1) 1"x5 1/4"x60 1/2" (24x134x1537)

QTY	PART NUMBER	DESCRIPTION
6	H100197	LAG SCREW WH 5/16x2-1/2 BLK
12	H100198	WASHER LOCK EXT 8x19 BLK
6	H100379	T-NUT 5/16 BLK
2	H100415	BOLT WH 5/16x3 3/4 BLK
4	H100513	BOLT WH 5/16x4 1/4 BLK

TIP:
INSTALL T-NUTS IN WOOD FIRST



STEP 4 - FORT ASSEMBLY

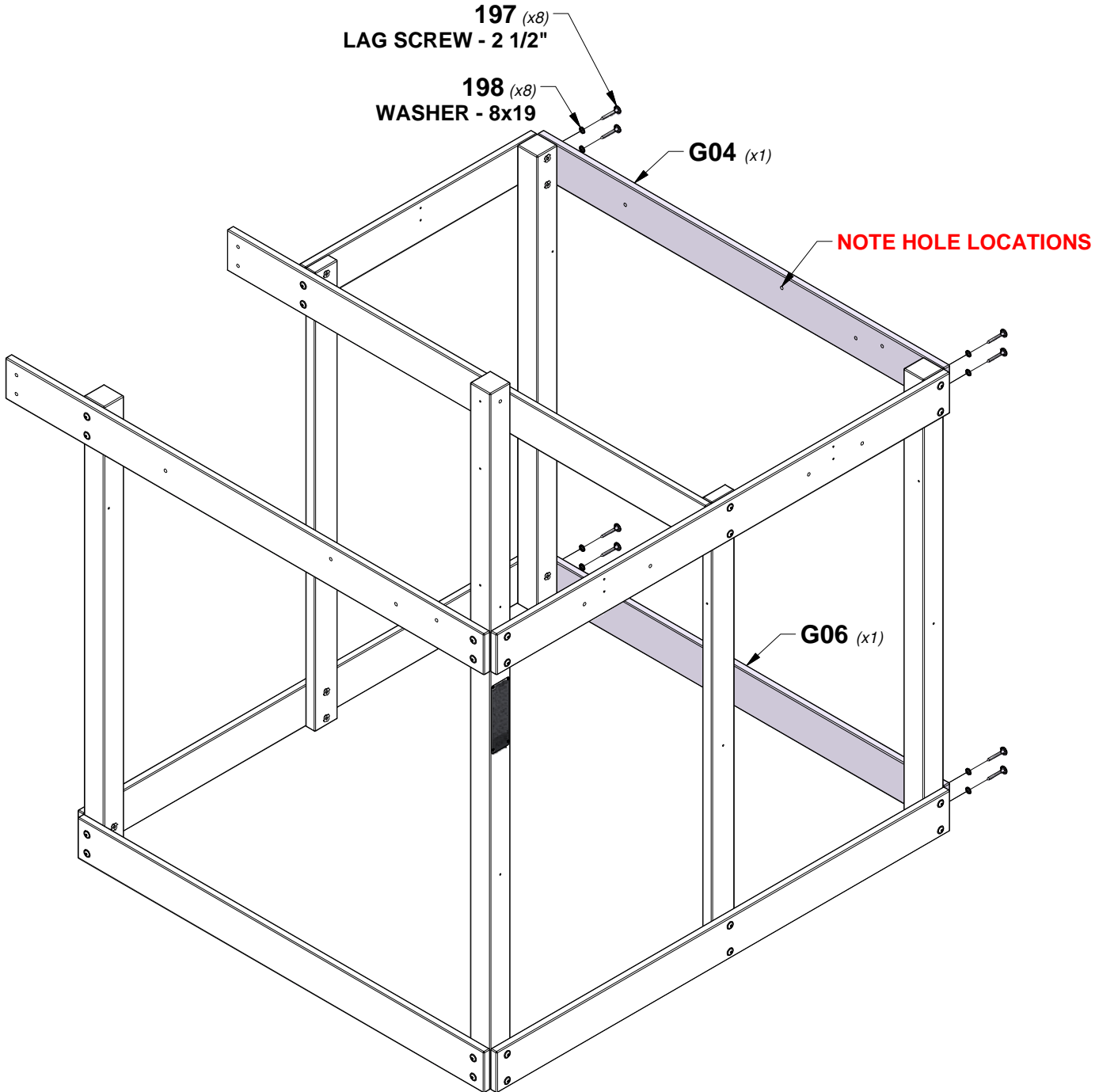
QTY	PART NUMBER	DESCRIPTION
8	H100197	LAG SCREW WH 5/16x2-1/2 BLK
8	H100198	WASHER LOCK EXT 8x19 BLK



G04 FLOOR RAIL - W4L15461
 (1) 1"x5 1/4"x60 1/2" (24x134x1537)



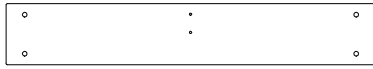
G06 FLOOR RAIL - W4L15462
 (1) 1"x5 1/4"x60 1/2" (24x134x1537)



STEP 5 - FORT ASSEMBLY



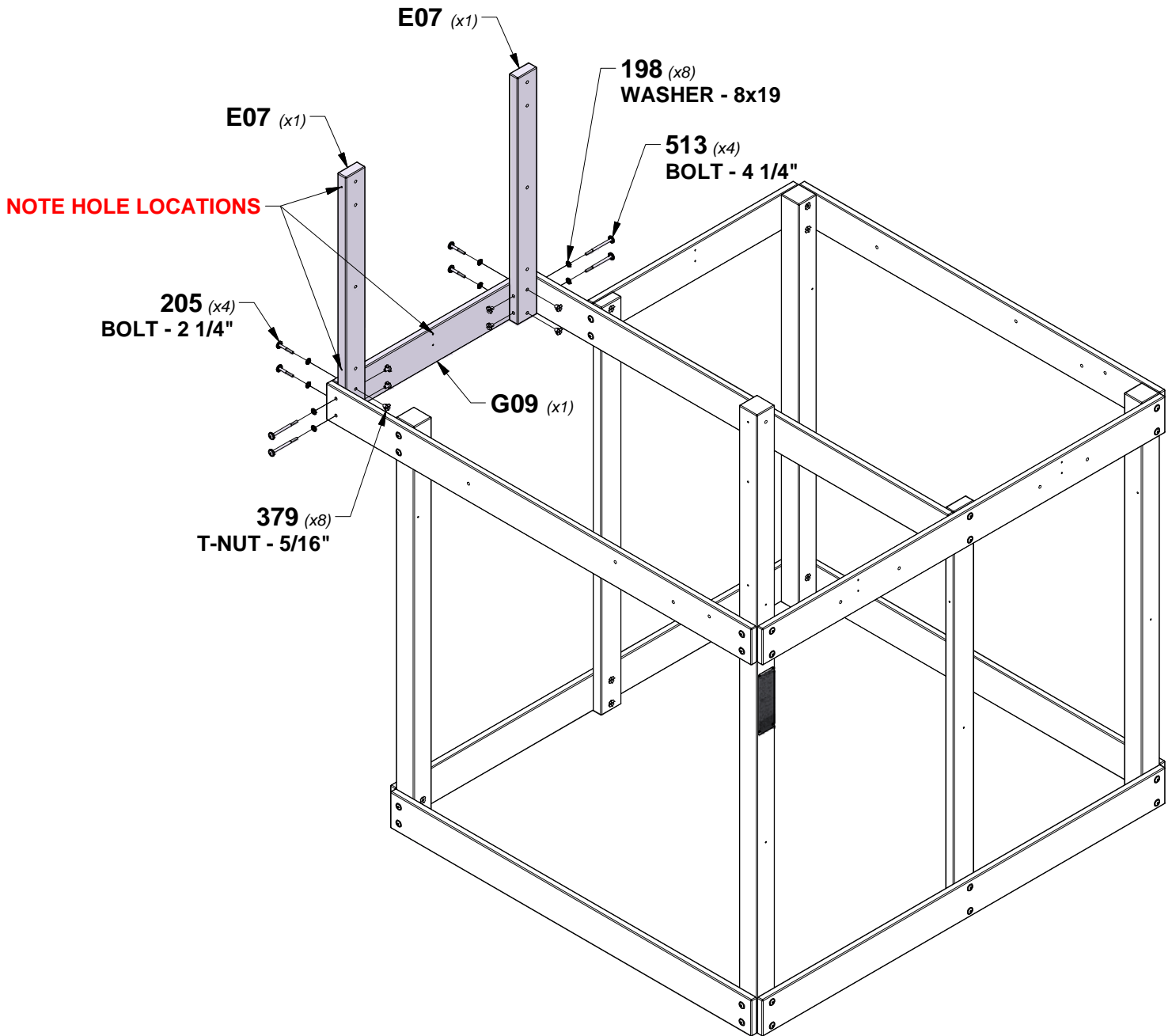
E07 UPRIGHT - W4L15654
 (2) 1 3/8"x3 1/4"x35 3/4" (36x83x908)



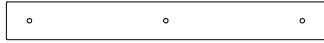
G09 TOP FLOOR RAIL - W4L15653
 (1) 1"x5 1/4"x32" (24x134x814)

QTY	PART NUMBER	DESCRIPTION
8	H100198	WASHER LOCK EXT 8x19 BLK
4	H100205	BOLT WH 5/16x2-1/4 BLK
8	H100379	T-NUT 5/16 BLK
4	H100513	BOLT WH 5/16x4 1/4 BLK

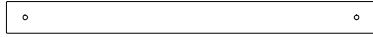
TIP:
INSTALL T-NUTS IN WOOD FIRST



STEP 6 - FORT ASSEMBLY



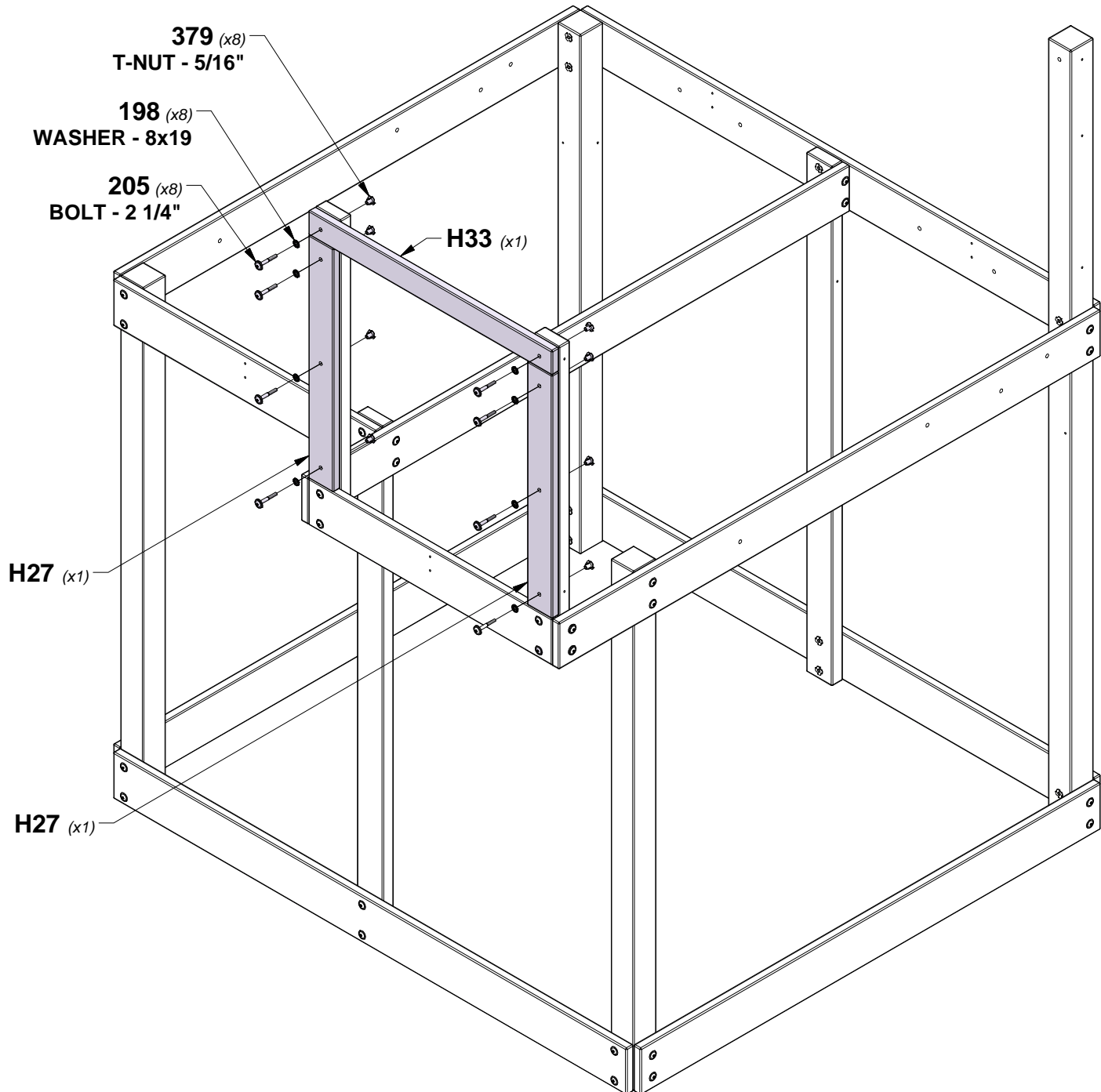
H27 WALL RAIL - W4L15485
 (2) 1"x3 1/4"x27 3/4" (24x83x704)



H33 WALL RAIL - W4L15657
 (1) 1"x2 3/4"x32" (24x70x814)

QTY	PART NUMBER	DESCRIPTION
8	H100198	WASHER LOCK EXT 8x19 BLK
8	H100205	BOLT WH 5/16x2-1/4 BLK
8	H100379	T-NUT 5/16 BLK

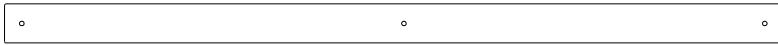
TIP:
INSTALL T-NUTS IN WOOD FIRST



STEP 7 - FORT ASSEMBLY

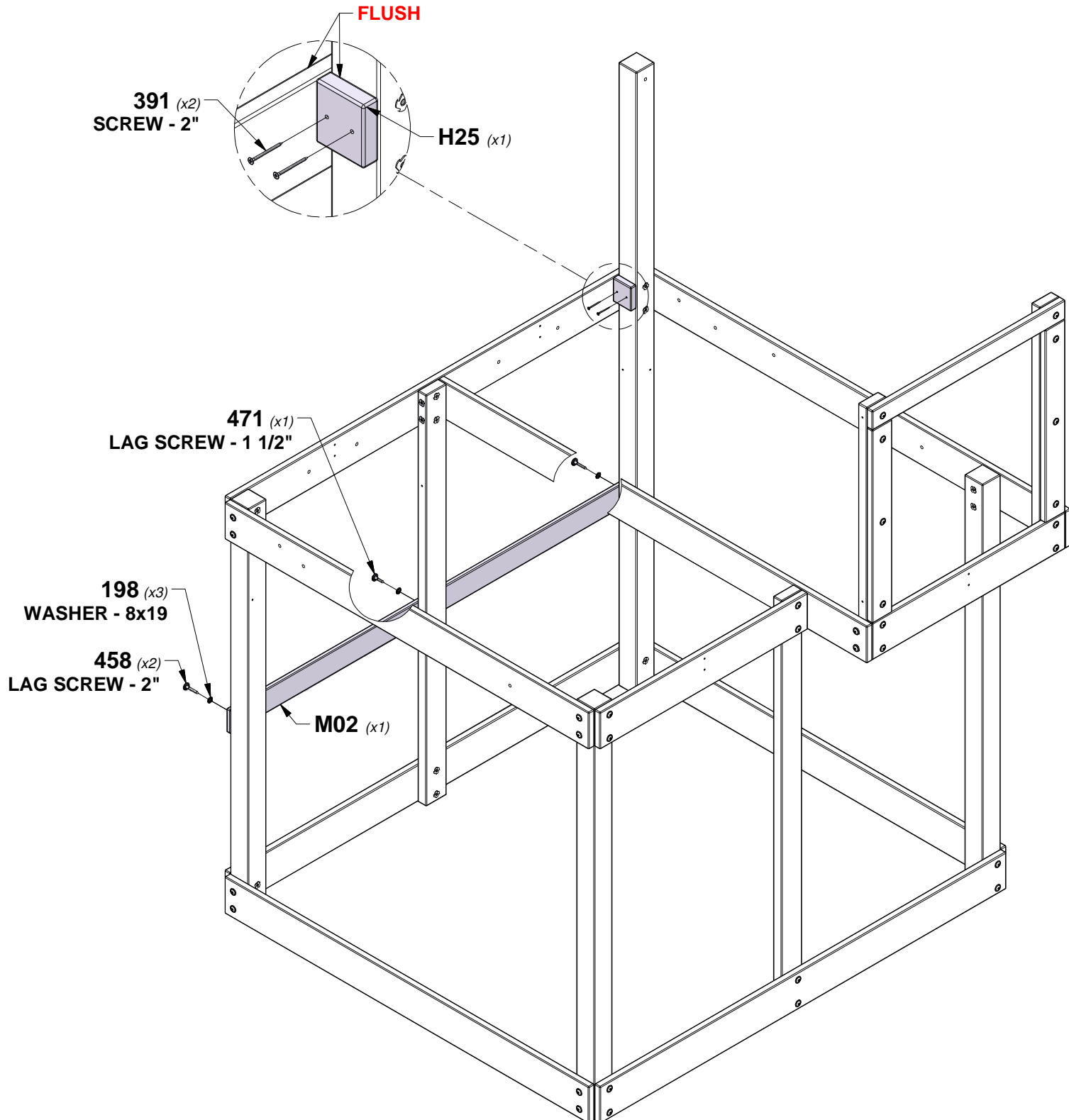


H25 TOP FLOOR SUPPORT - W4L15483
 (1) 1"x3 3/8"x3" (24x86x76)



M02 SAFETY RAIL - W4L15499
 (1) 5/8"x3 3/8"x67 1/2" (16x86x1715)

QTY	PART NUMBER	DESCRIPTION
3	H100198	WASHER LOCK EXT 8x19 BLK
2	H100391	SCREW PFH 8x2 BLK
2	H100458	LAG SCREW WH 5/16x2 BLK
1	H100471	LAG SCREW WH 5/16x1-1/2 BLK



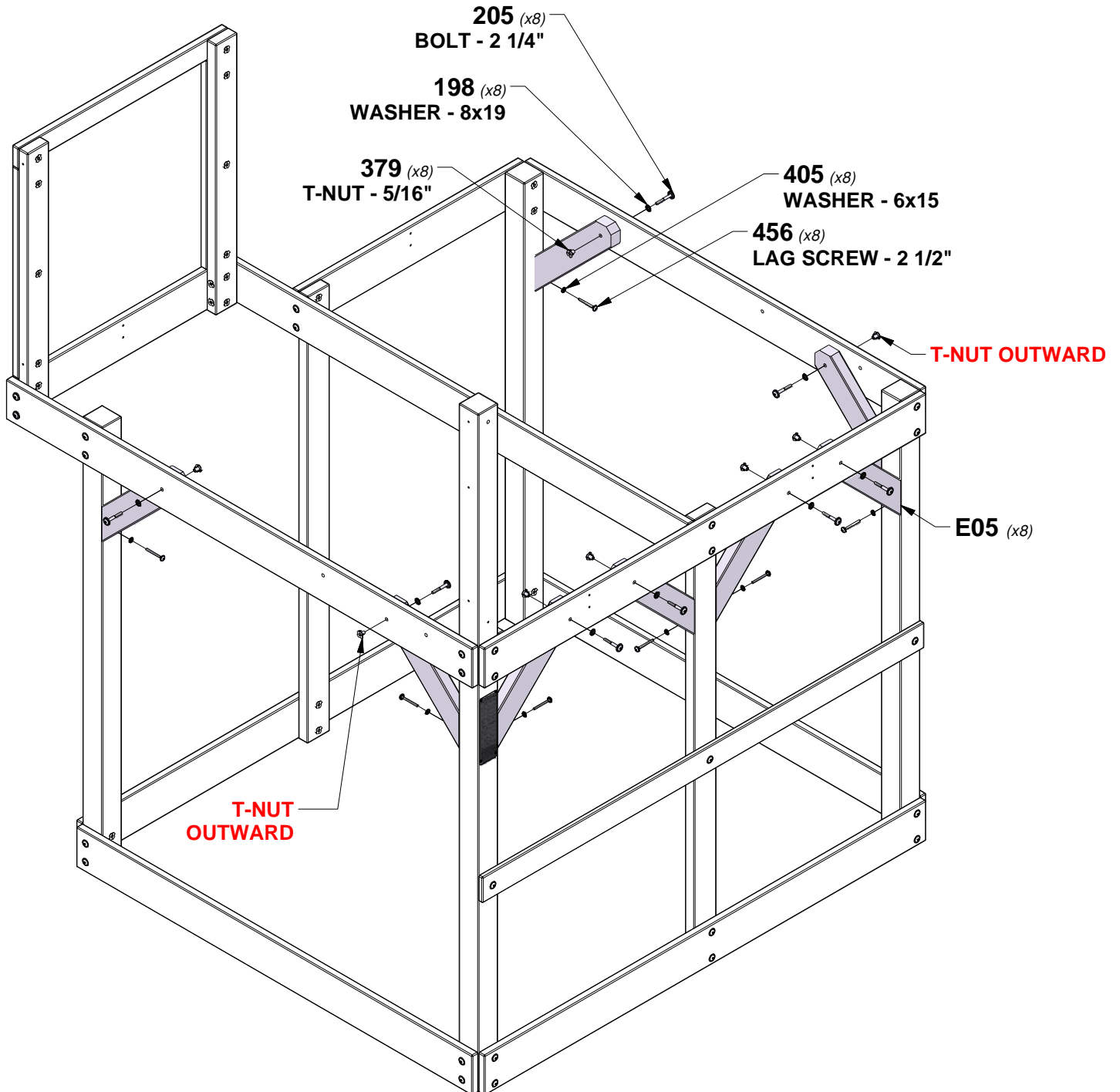
STEP 8 - FORT ASSEMBLY



E05 DECK BRACE - W4L15452
 (8) 1 7/16"x3 3/8"x17 11/16" (36x86x450)

QTY	PART NUMBER	DESCRIPTION
8	H100198	WASHER LOCK EXT 8x19 BLK
8	H100205	BOLT WH 5/16x2-1/4 BLK
8	H100379	T-NUT 5/16 BLK
8	H100405	WASHER LOCK EXT 6x15 BLK
8	H100456	LAG SCREW WH 1/4x2-1/2 BLK

TIP:
INSTALL T-NUTS IN WOOD FIRST



STEP 9 - FORT ASSEMBLY

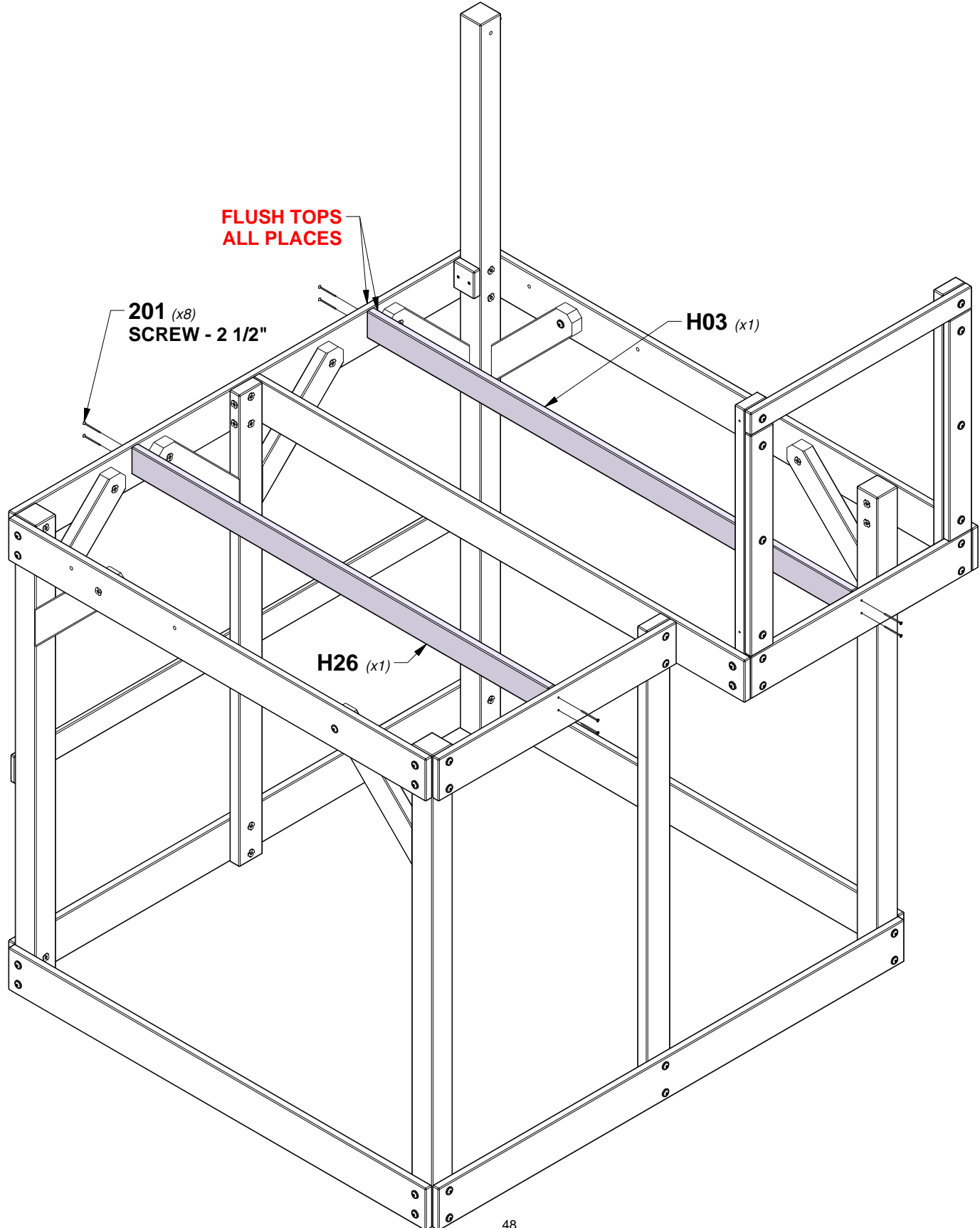
QTY	PART NUMBER	DESCRIPTION
8	H100201	SCREW PFH 8x2-1/2 BLK



H03 FLOOR JOIST - W4L15467
(1) 1"x3 3/8"x70 3/8" (24x86x1786)



H26 FLOOR JOIST - W4L15484
(1) 1"x3 3/8"x60 1/2" (24x86x1537)



STEP 10 - FORT ASSEMBLY

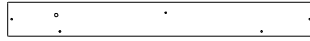
QTY	PART NUMBER	DESCRIPTION
144	H100086	SCREW PFH 8x1-1/2"
2	H100379	T-NUT 5/16 BLK



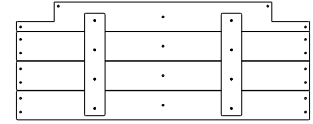
FP2 FLOOR PANEL - W2A03264
 (4) 1 1/4"x13 1/2"x81 7/8" (32x344x1763)



Y01 TOP FLOOR BOARD - W4L15643
 (1) 5/8"x3 7/8"x65 1/2" (16x100x1663)



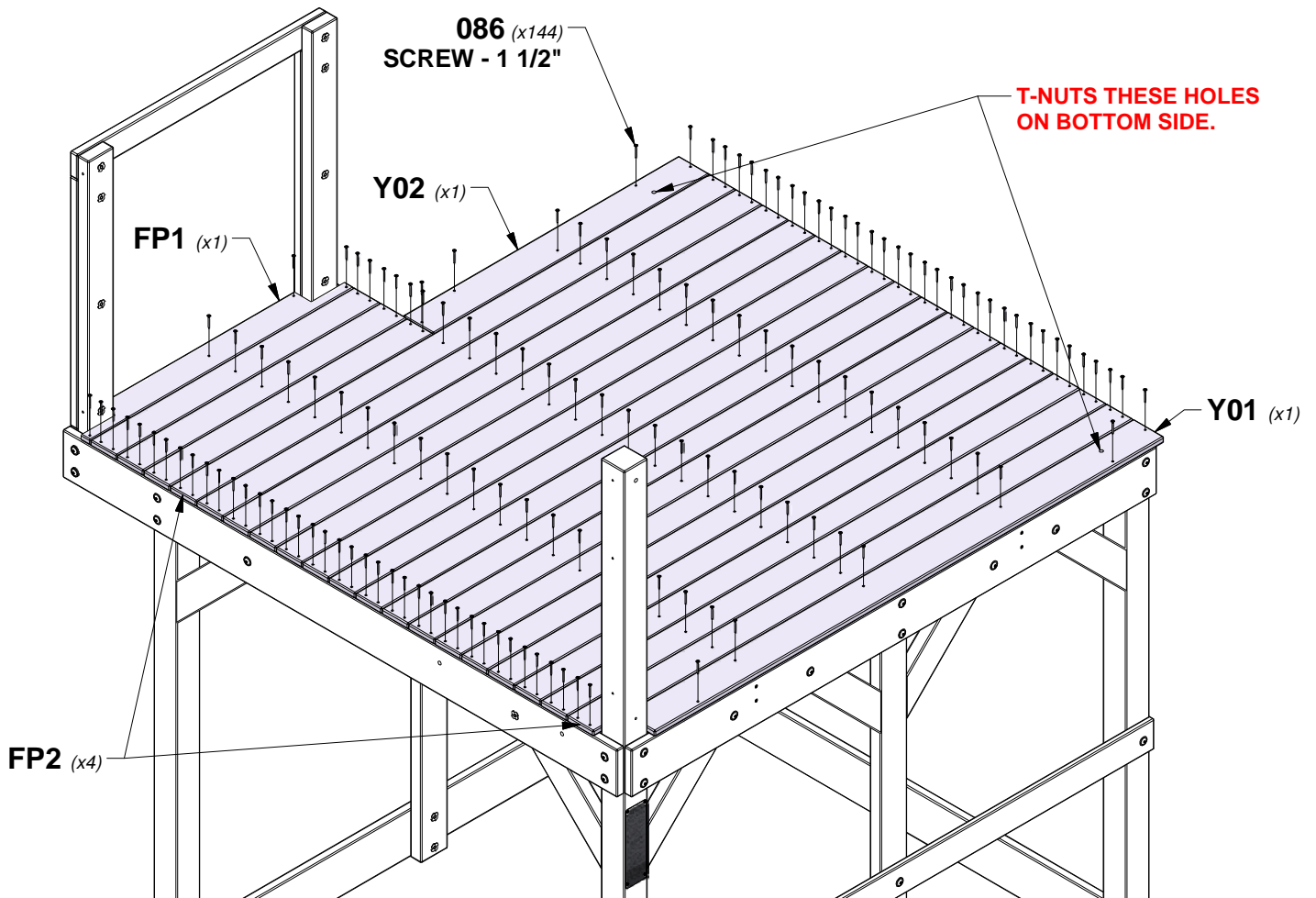
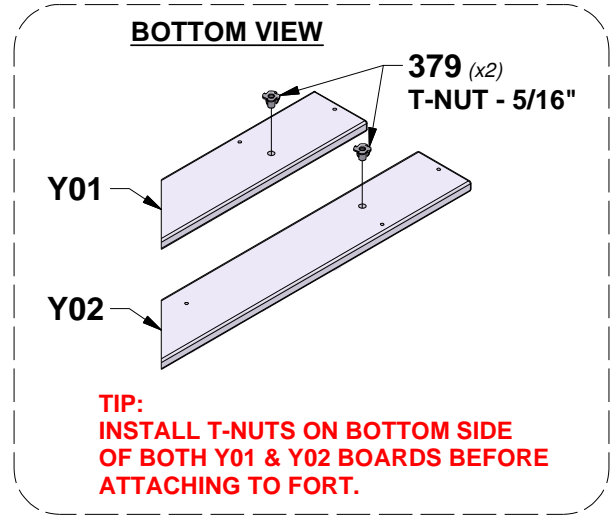
Y02 TOP FLOOR BOARD - W4L15655
 (1) 5/8"x3 7/8"x35 1/2" (16x100x901)



FP1 FLOOR PANEL - W2A03271
 (1) 1 1/4"x13 1/2"x81 7/8" (32x346x862)

TIP:
 INSTALL T-NUTS IN WOOD FIRST

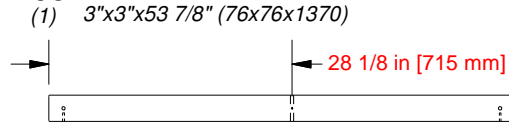
NOTE:
 ENSURE THAT PILOT HOLES ARE
 CENTERED ON FLOOR JOISTS.



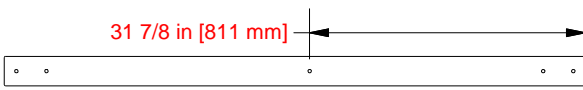
STEP 11 - FORT ASSEMBLY

QTY	PART NUMBER	DESCRIPTION
2	H100192	NUT BARREL WH 5/16x7/8 BLK
1	H100194	BOLT WH 5/16x2-1/2 BLK
4	H100198	WASHER LOCK EXT 8x19 BLK
2	H100199	WASHER LOCK EXT 12x19 BLK
2	H100379	T-NUT 5/16 BLK
2	H100396	BOLT WH 5/16x1/2 BLK
2	H100415	BOLT WH 5/16x3 3/4 BLK
2	H100458	LAG SCREW WH 5/16x2 BLK
1	H100484	BOLT WH 5/16x3 1/4 BLK

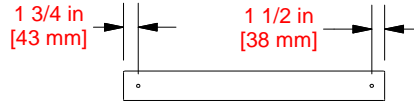
B08 BACK RIGHT FORT CORNER - W4L15447
 (1) 3"x3"x53 7/8" (76x76x1370)



B05 BACK LEFT FORT CORNER - W4L15444
 (1) 3"x3"x53 7/8" (76x76x1370)

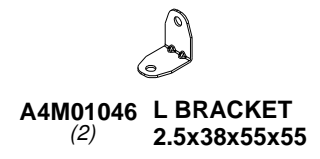


H01 ROOF SUPPORT RAIL - W4L15648
 (1) 1"x3 3/8"x67 1/4" (24x86x1709)

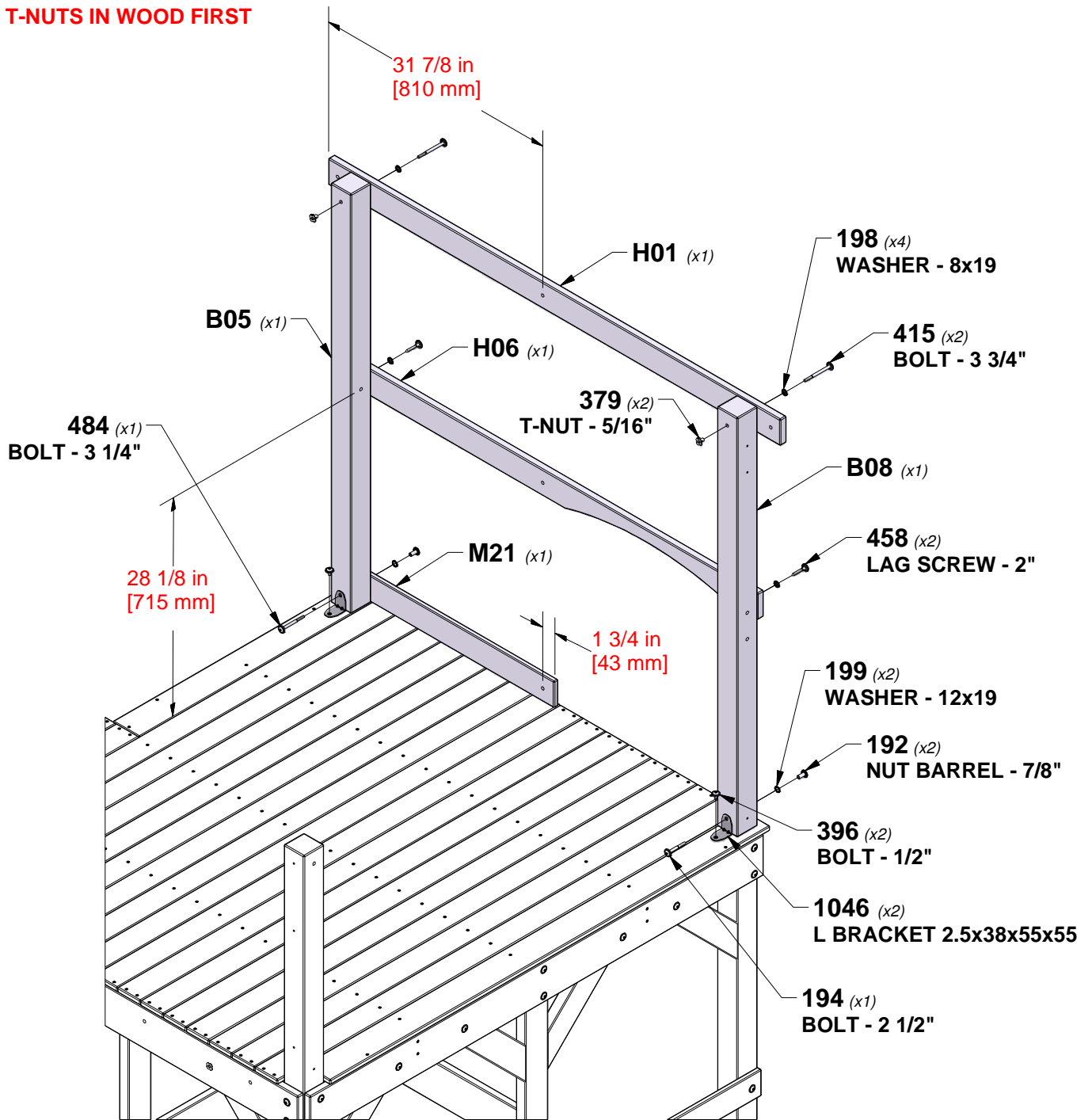


H06 BACK FORT RAIL - W4L15470
 (1) 1"x3 3/8"x60 1/2" (24x86x1537)

M21 FORT WALL RAIL - W4L15622
 (1) 5/8"x3 3/8"x30 1/4" (16x86x768)



TIP:
INSTALL T-NUTS IN WOOD FIRST



STEP 12 - FORT ASSEMBLY

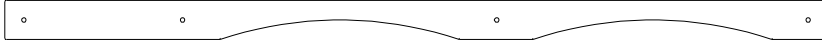
QTY	PART NUMBER	DESCRIPTION
5	H100198	WASHER LOCK EXT 8x19 BLK
5	H100458	LAG SCREW WH 5/16x2 BLK



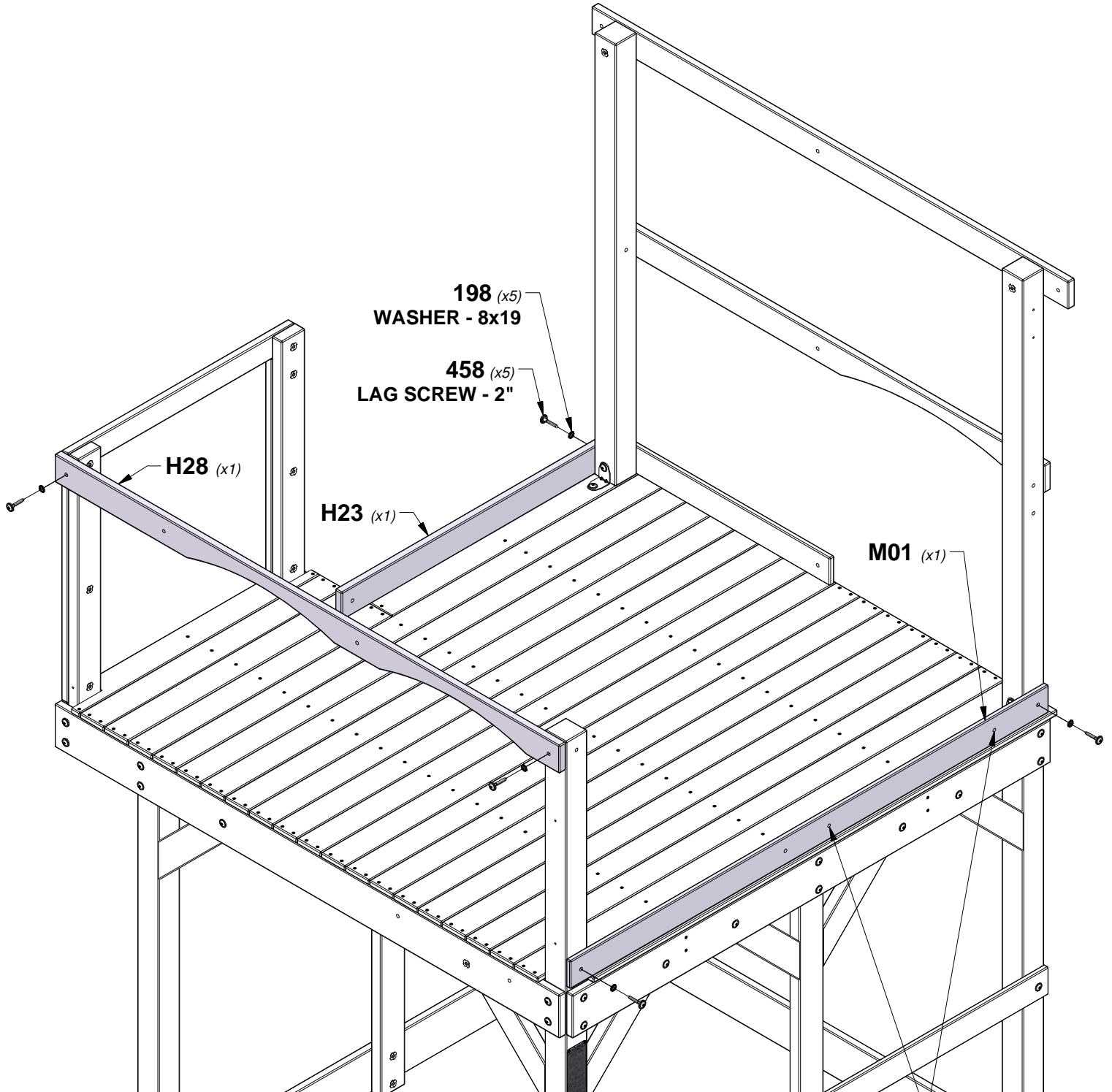
M01 TOP WALL RAIL - W4L15498
 (1) 5/8"x3 3/8"x67 1/2" (16x86x1715)



H23 FORT WALL RAIL - W4L15615
 (1) 1"x3 3/8"x38 5/8" (24x86x982)



H28 FRONT WALL RAIL - W4L15486
 (1) 1"x3 3/8"x71 1/4" (24x86x1810)



NOTE HOLE LOCATIONS

STEP 13 - FORT ASSEMBLY



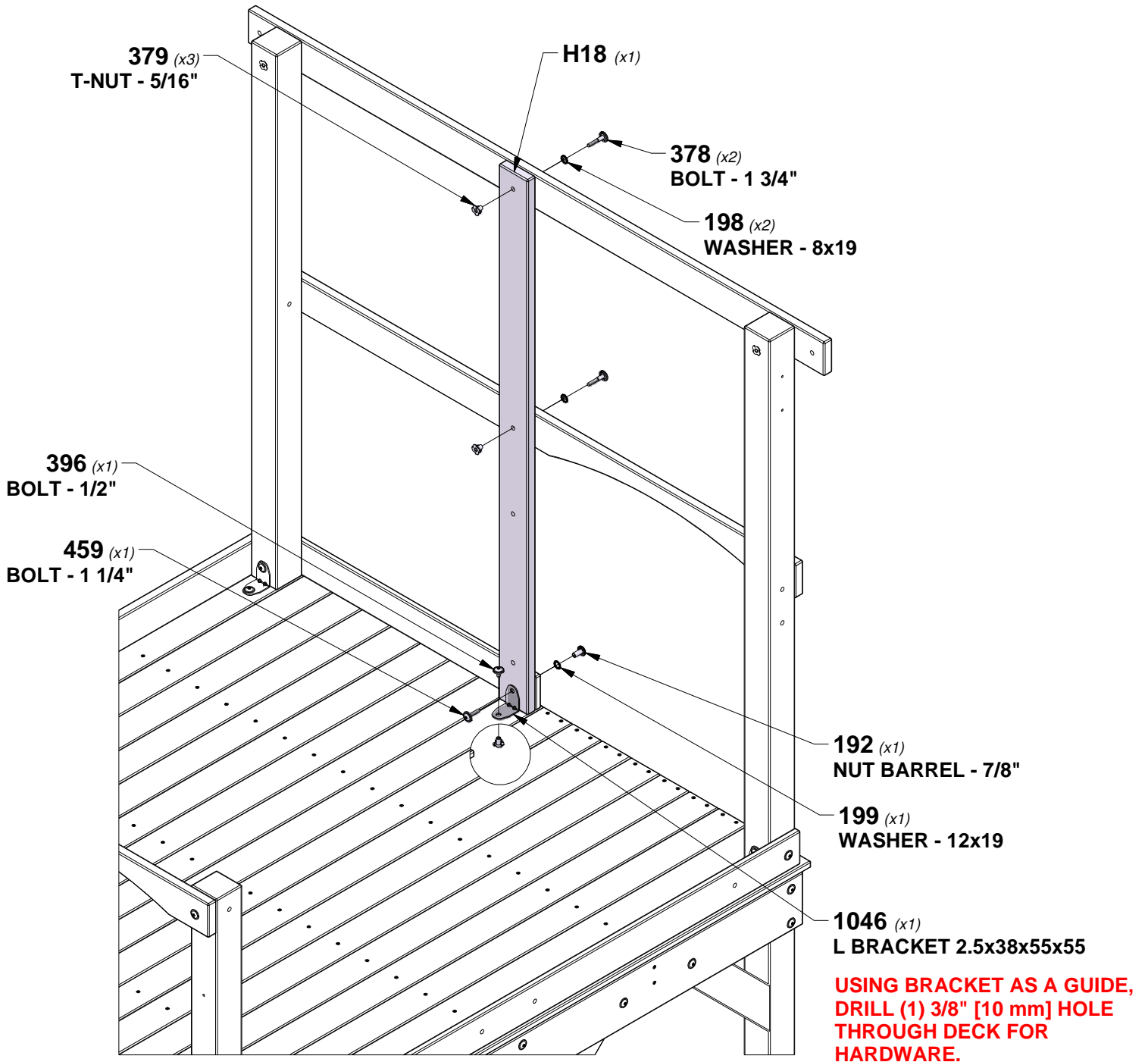
H18 FORT WALL RAIL - W4L15479
 (1) 1"x3 3/8"x53 7/8" (24x86x1370)



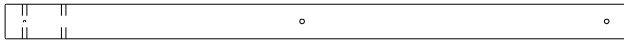
A4M01046 L BRACKET
 (1) 2.5x38x55x55

QTY	PART NUMBER	DESCRIPTION
1	H100192	NUT BARREL WH 5/16x7/8 BLK
2	H100198	WASHER LOCK EXT 8x19 BLK
1	H100199	WASHER LOCK EXT 12x19 BLK
2	H100378	BOLT WH 5/16x1 3/4 BLK
3	H100379	T-NUT 5/16 BLK
1	H100396	BOLT WH 5/16x1/2 BLK
1	H100459	BOLT WH 5/16x1 1/4 BLK

TIP:
INSTALL T-NUTS IN WOOD FIRST



STEP 14 - FORT ASSEMBLY



B06 FRONT LEFT FORT CORNER - W4L15445

(1) 3"x3"x53 7/8" (76x76x1370)



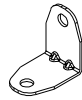
H23 FORT WALL RAIL - W4L15615

(1) 1"x3 3/8"x38 5/8" (24x86x982)



H32 FLOOR RAIL - W4L15656

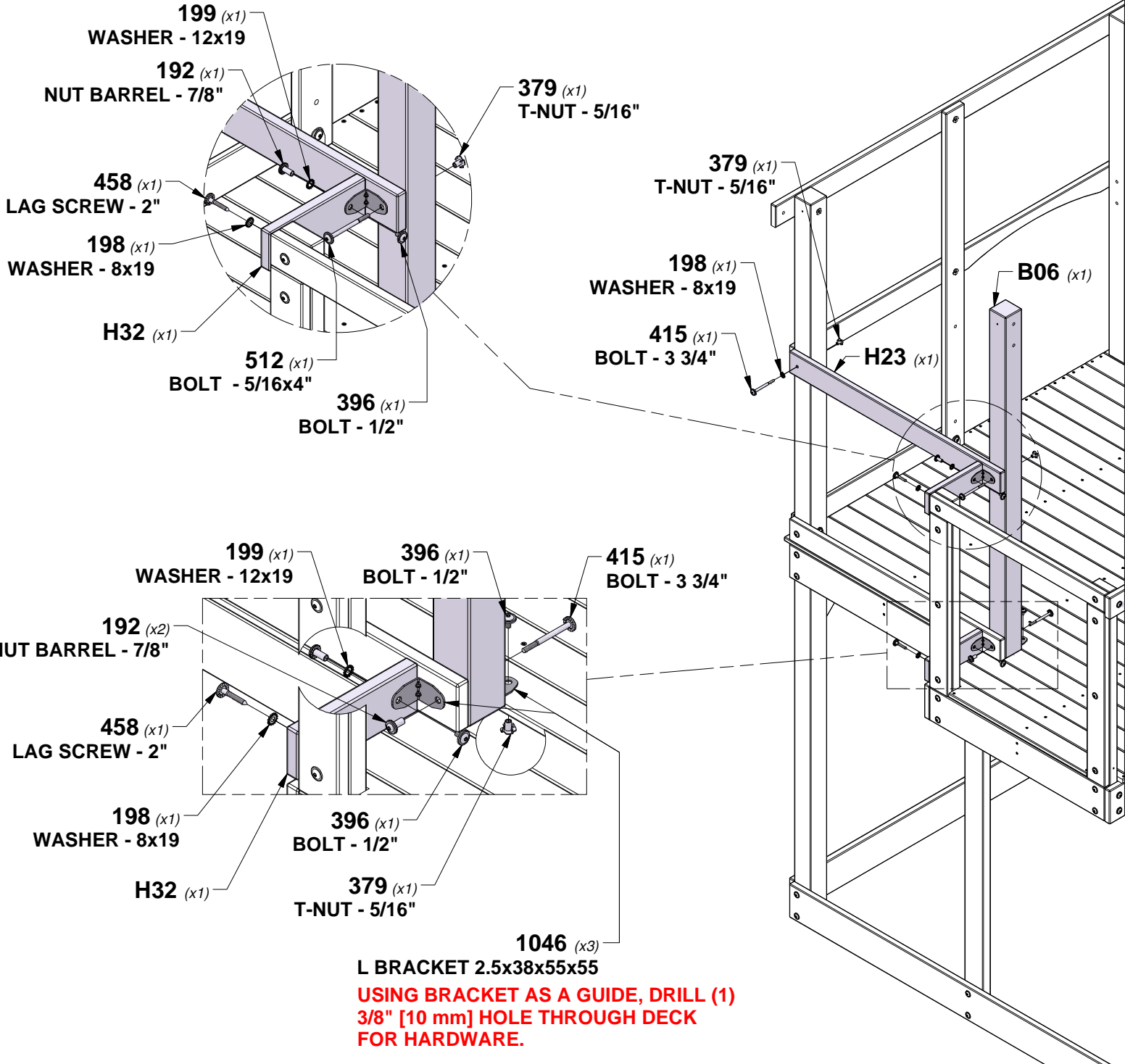
(2) 1"x3 3/8"x9 3/4" (24x86x249)



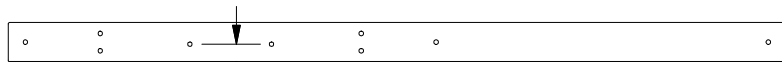
A4M01046 L BRACKET
(3) 2.5x38x55x55

QTY	PART NUMBER	DESCRIPTION
3	H100192	NUT BARREL WH 5/16x7/8 BLK
3	H100198	WASHER LOCK EXT 8x19 BLK
2	H100199	WASHER LOCK EXT 12x19 BLK
3	H100379	T-NUT 5/16 BLK
3	H100396	BOLT WH 5/16x1/2 BLK
2	H100415	BOLT WH 5/16x3 3/4 BLK
2	H100458	LAG SCREW WH 5/16x2 BLK
1	H100512	BOLT WH 5/16x4 BLK

TIP:
INSTALL T-NUTS IN WOOD FIRST

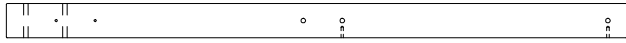


STEP 15 - FORT ASSEMBLY



1 1/2 in
[39 mm]

H02 WALL RAIL - W4L15466
(1) 1"x3 3/8"x67 1/2" (24x86x1715)



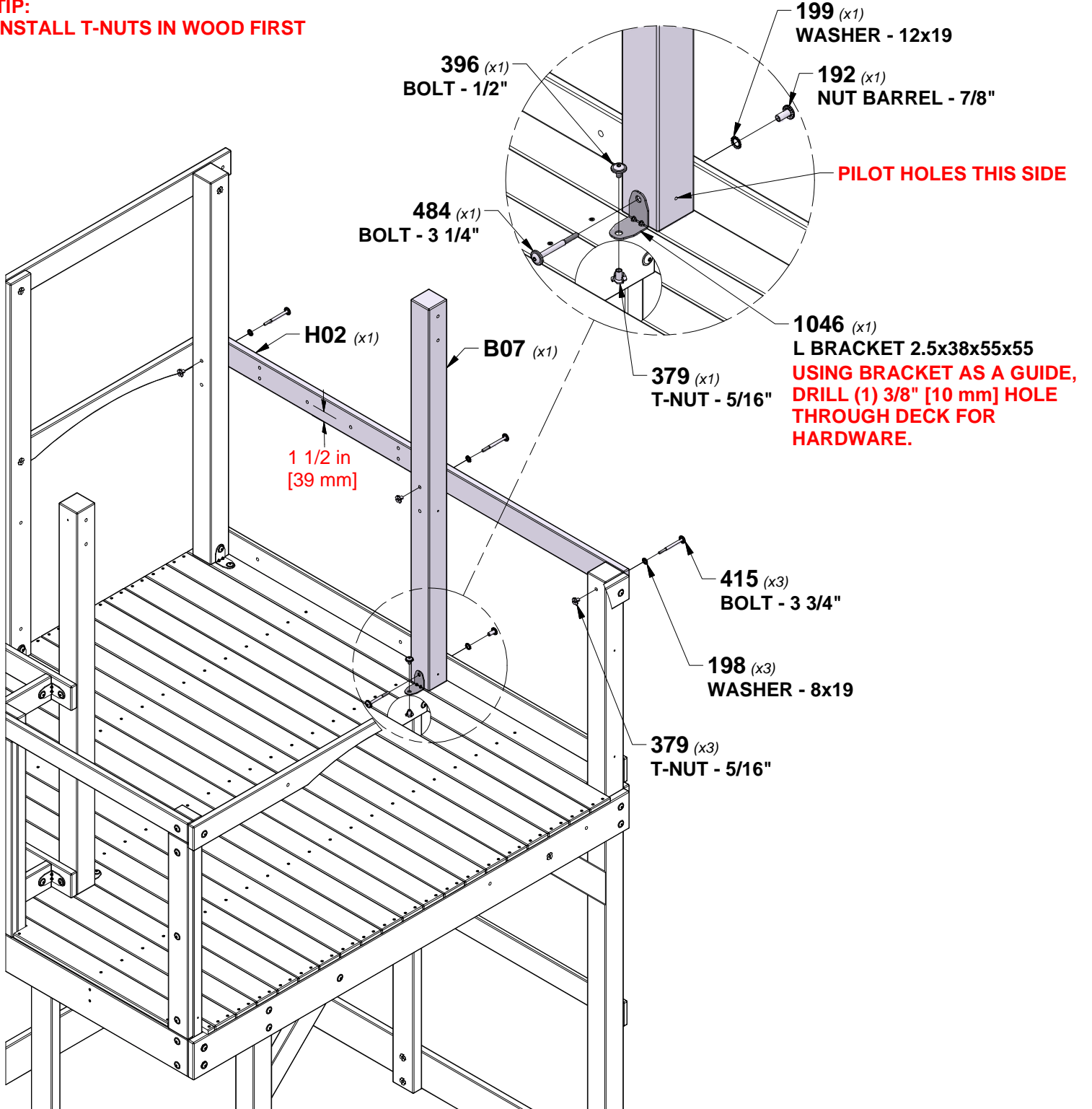
B07 FRONT RIGHT FORT CORNER - W4L15446
(1) 3"x3"x53 7/8" (76x76x1370)



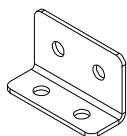
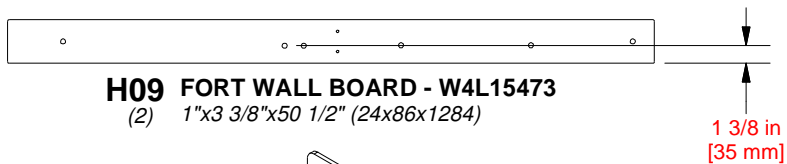
A4M01046 L BRACKET
(1) 2.5x38x55x55

QTY	PART NUMBER	DESCRIPTION
1	H100192	NUT BARREL WH 5/16x7/8 BLK
3	H100198	WASHER LOCK EXT 8x19 BLK
1	H100199	WASHER LOCK EXT 12x19 BLK
4	H100379	T-NUT 5/16 BLK
1	H100396	BOLT WH 5/16x1/2 BLK
3	H100415	BOLT WH 5/16x3 3/4 BLK
1	H100484	BOLT WH 5/16x3 1/4 BLK

TIP:
INSTALL T-NUTS IN WOOD FIRST



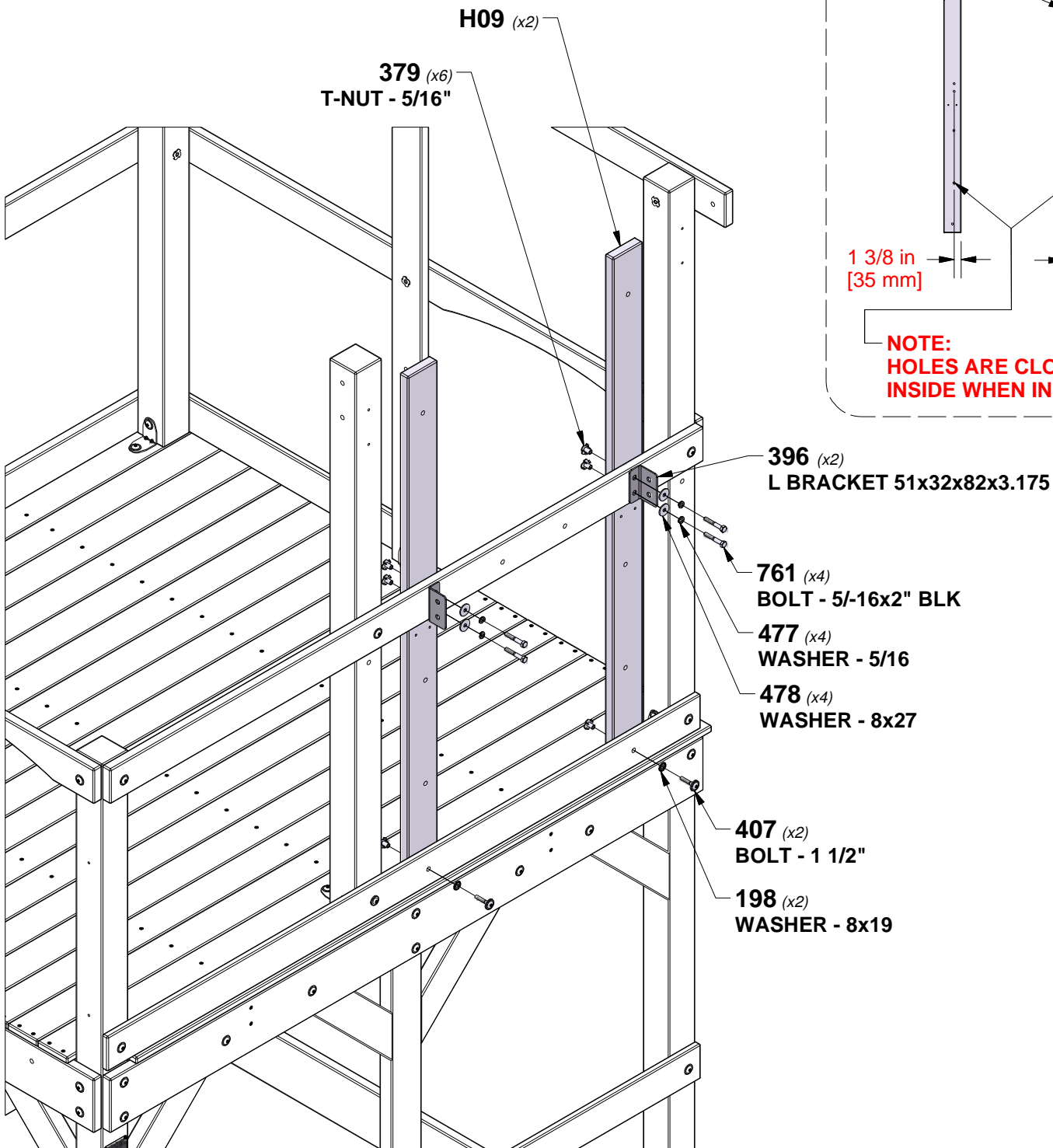
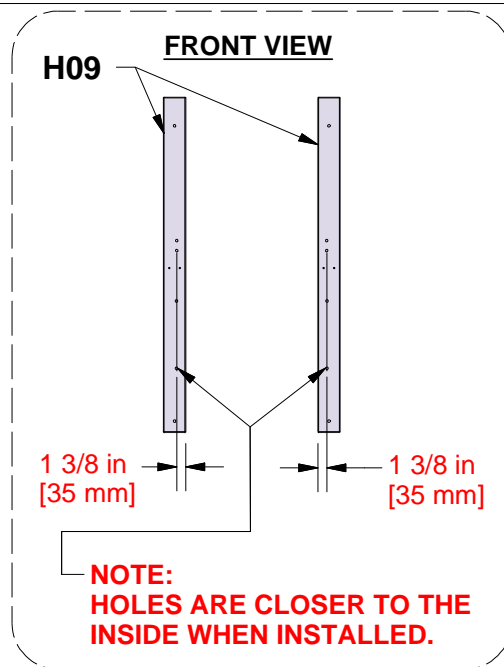
STEP 16 - FORT ASSEMBLY



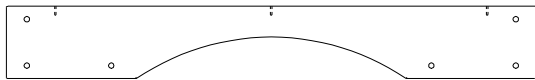
A100396 L BRACKET 51x32x82x3.175
 (2)

QTY	PART NUMBER	DESCRIPTION
2	H100198	WASHER LOCK EXT 8x19 BLK
6	H100379	T-NUT 5/16 BLK
2	H100407	BOLT WH 5/16x1 1/2 BLK
4	H100477	WASHER SPLIT 5/16 BLK
4	H100478	WASHER FLAT 8x27 BLK
4	H100761	BOLT HEX 5/16x2 BLK

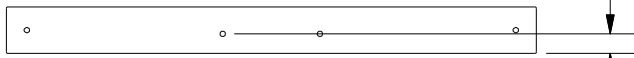
TIP:
INSTALL T-NUTS IN WOOD FIRST



STEP 17 - FORT ASSEMBLY



K05 FORT WALL RAIL - W4L15495
 (1) 5/8"x5 1/4"x38 5/8" (16x134x982)



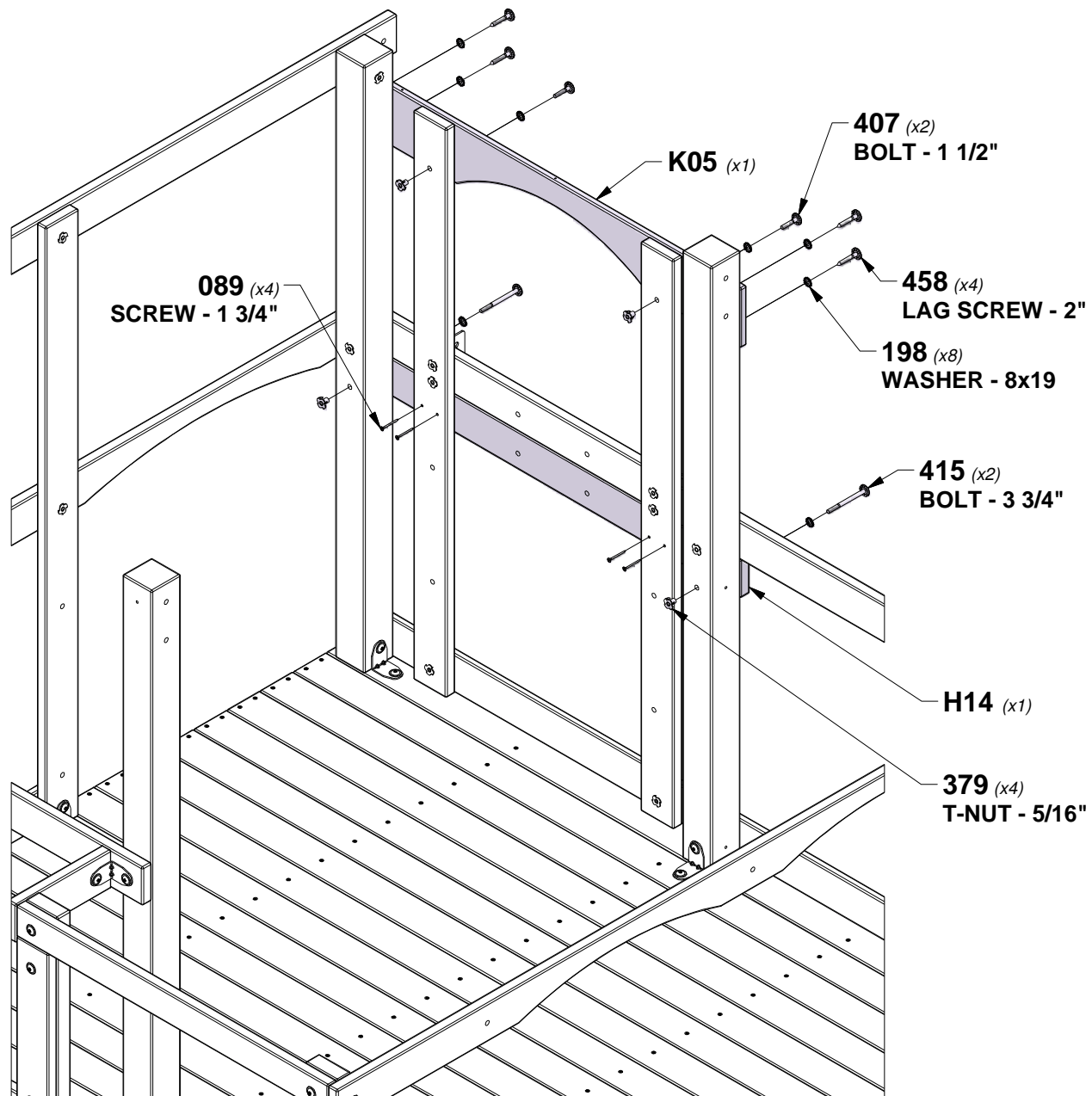
H14 SWING BEAM MOUNT - W4L15478
 (1) 1"x3 3/8"x38 5/8" (24x86x982)



1 3/8 in [36 mm] **DOWNWARD WHEN INSTALLED**

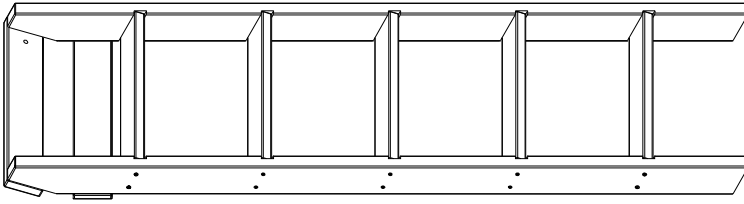
QTY	PART NUMBER	DESCRIPTION
4	H100089	SCREW PFH 8x1-3/4"
8	H100198	WASHER LOCK EXT 8x19 BLK
4	H100379	T-NUT 5/16 BLK
2	H100407	BOLT WH 5/16x1 1/2 BLK
2	H100415	BOLT WH 5/16x3 3/4 BLK
4	H100458	LAG SCREW WH 5/16x2 BLK

TIP:
INSTALL T-NUTS IN WOOD FIRST



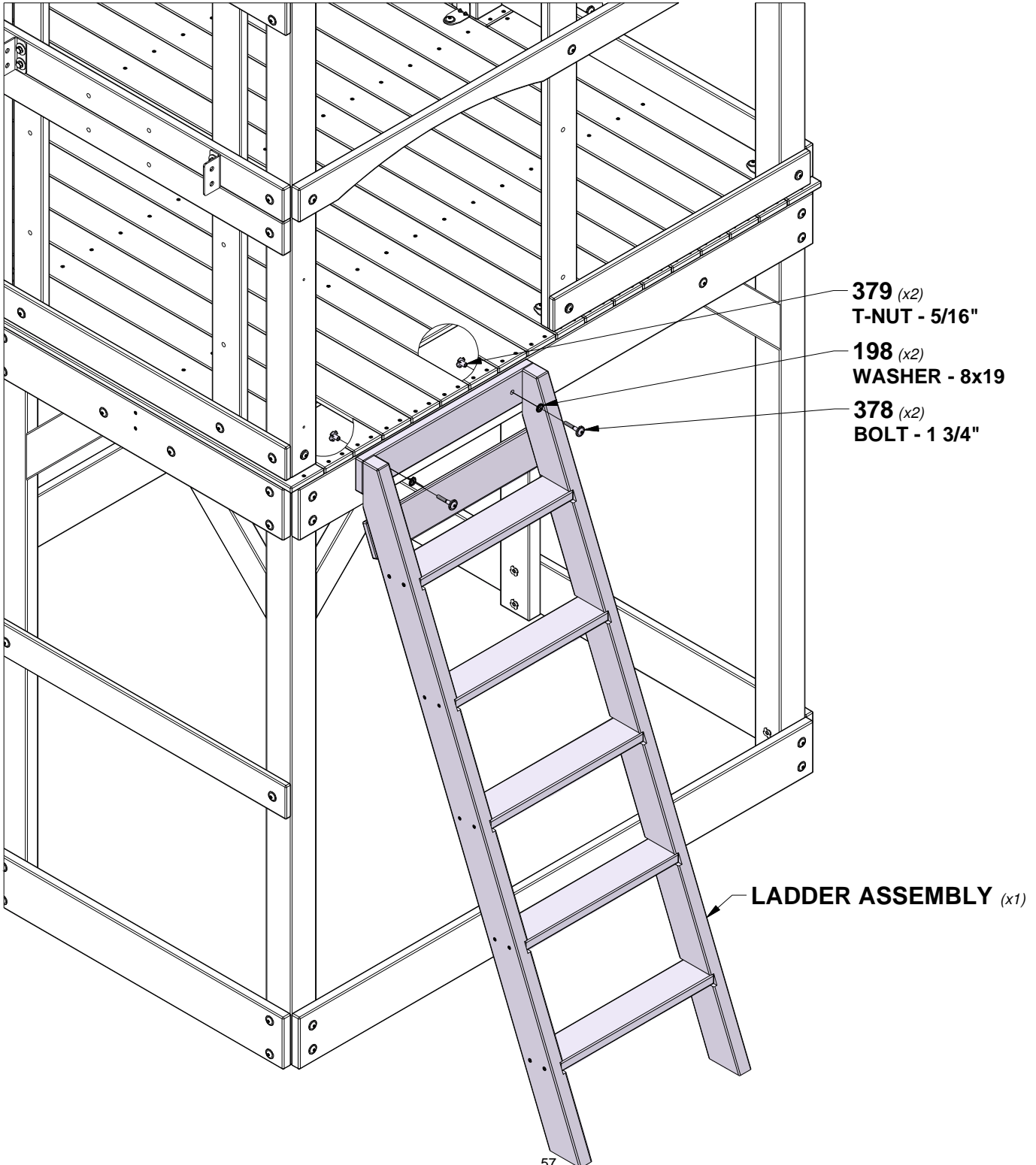
STEP 18 - FORT ASSEMBLY

QTY	PART NUMBER	DESCRIPTION
2	H100198	WASHER LOCK EXT 8x19 BLK
2	H100378	BOLT WH 5/16x1 3/4 BLK
2	H100379	T-NUT 5/16 BLK



(1) LADDER ASSEMBLY

TIP:
INSTALL T-NUTS IN WOOD FIRST



STEP 19 - FORT ASSEMBLY

QTY	PART NUMBER	DESCRIPTION
4	H100198	WASHER LOCK EXT 8x19 BLK
4	H100379	T-NUT 5/16 BLK
4	H100415	BOLT WH 5/16x3 3/4 BLK

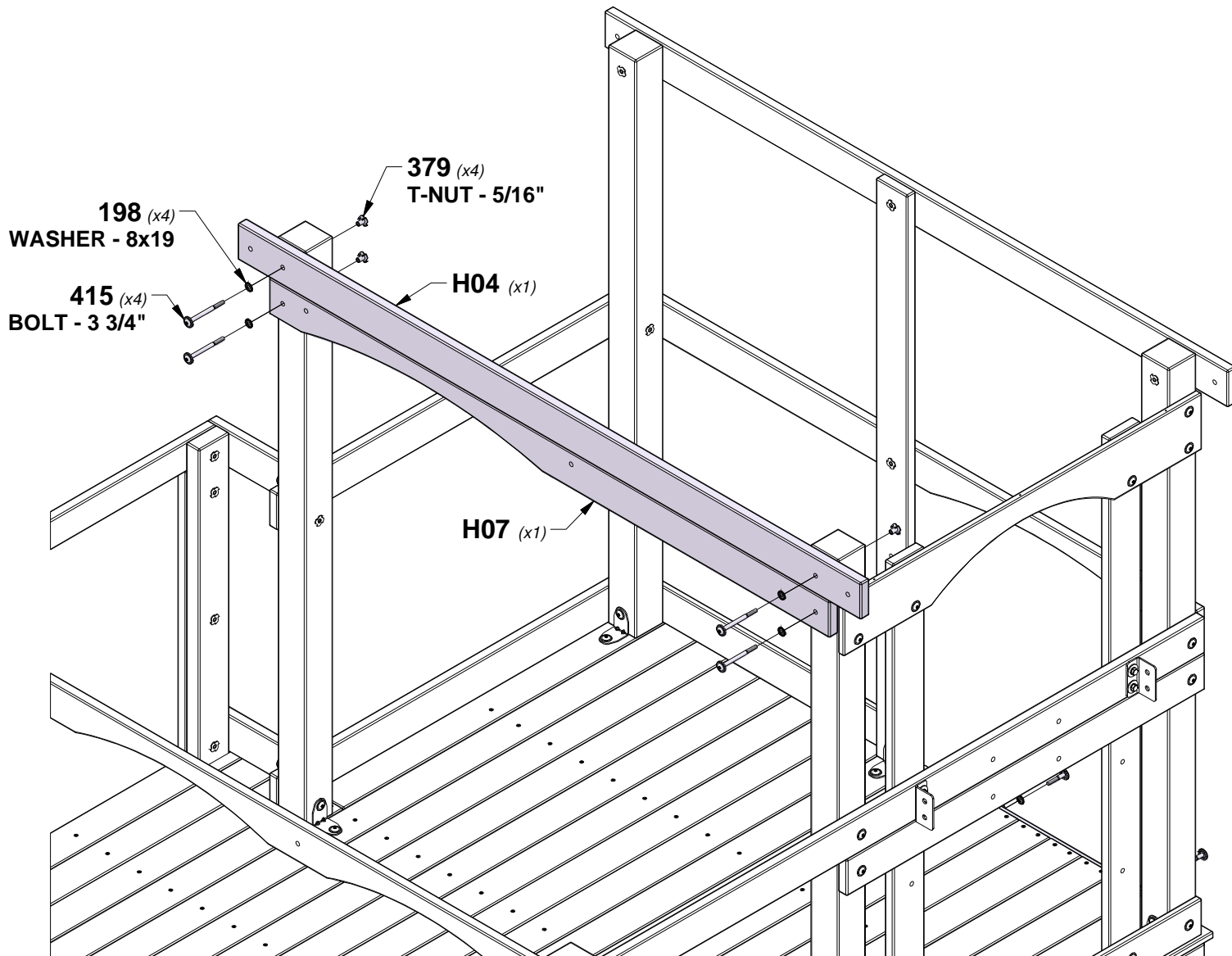


H04 ROOF SUPPORT RAIL - W4L15468
 (1) 1"x3 3/8"x67 1/4" (24x86x1709)



H07 FRONT FORT WALL RAIL - W4L15471
 (1) 1"x3 3/8"x60 1/2" (24x86x1537)

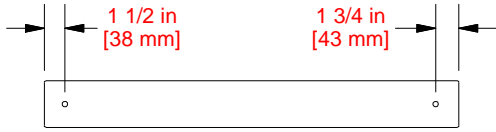
TIP:
INSTALL T-NUTS IN WOOD FIRST



STEP 20 - FORT ASSEMBLY



H08 FORT UPRIGHT - W4L15472
(1) 1"x3 3/8"x50 1/2" (24x86x1284)



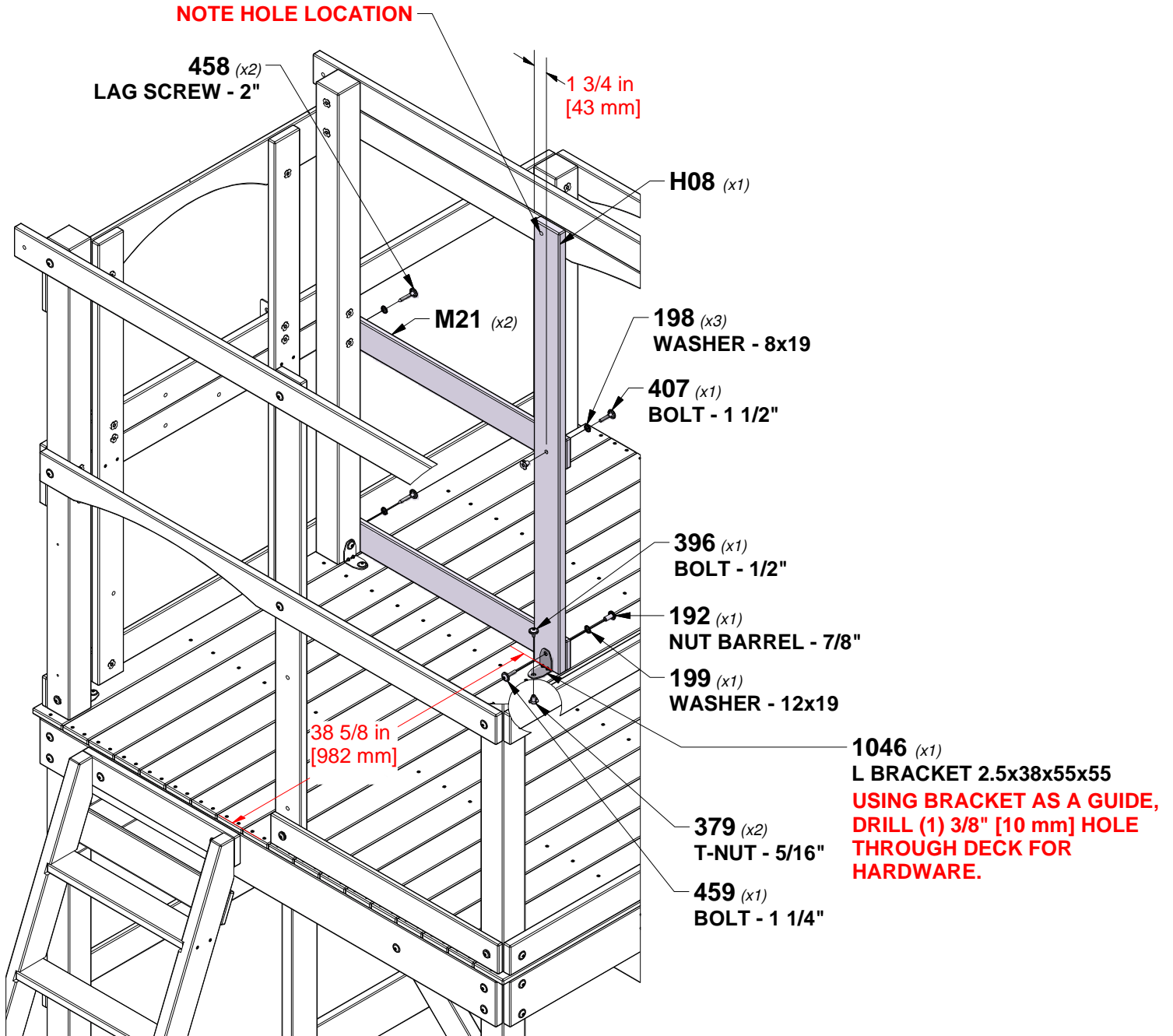
M21 FORT WALL RAIL - W4L15622
(2) 5/8"x3 3/8"x30 1/4" (16x86x768)

A4M01046 L BRACKET
(1) 2.5x38x55x55



QTY	PART NUMBER	DESCRIPTION
1	H100192	NUT BARREL WH 5/16x7/8 BLK
3	H100198	WASHER LOCK EXT 8x19 BLK
1	H100199	WASHER LOCK EXT 12x19 BLK
2	H100379	T-NUT 5/16 BLK
1	H100396	BOLT WH 5/16x1/2 BLK
1	H100407	BOLT WH 5/16x1 1/2 BLK
2	H100458	LAG SCREW WH 5/16x2 BLK
1	H100459	BOLT WH 5/16x1 1/4 BLK

TIP:
INSTALL T-NUTS IN WOOD FIRST



STEP 21 - FORT ASSEMBLY

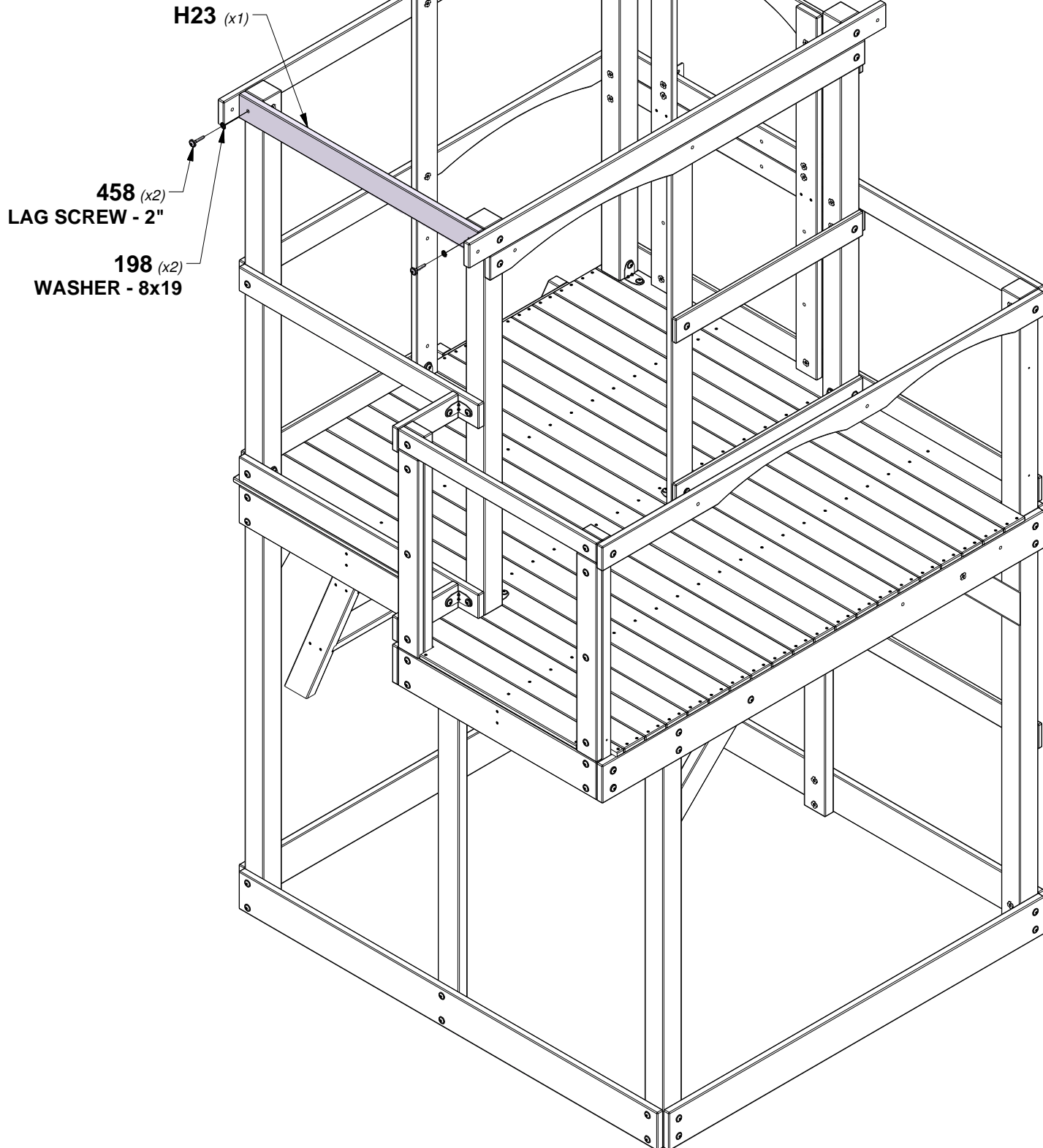


H23 FORT WALL RAIL - W4L15615

(1) 1"x3 3/8"x38 5/8" (24x86x982)

QTY	PART NUMBER	DESCRIPTION
2	H100198	WASHER LOCK EXT 8x19 BLK
2	H100458	LAG SCREW WH 5/16x2 BLK

TIP:
INSTALL T-NUTS IN WOOD FIRST



STEP 22 - FORT ASSEMBLY

QTY	PART NUMBER	DESCRIPTION
2	H100192	NUT BARREL WH 5/16x7/8 BLK
1	H100197	LAG SCREW WH 5/16x2-1/2 BLK
3	H100198	WASHER LOCK EXT 8x19 BLK
2	H100199	WASHER LOCK EXT 12x19 BLK
2	H100378	BOLT WH 5/16x1 3/4 BLK
4	H100379	T-NUT 5/16 BLK
3	H100396	BOLT WH 5/16x1/2 BLK
1	H100407	BOLT WH 5/16x1 1/2 BLK



H10 PORCH LEG - W4L15474
(1) 1"x3 3/8"x50 1/2" (24x86x1282)

NOTE:
HOLES GO OUTWARD
WHEN INSTALLED.



H11 PORCH LEG - W4L15475
(1) 1"x3 3/8"x50 1/2" (24x86x1282)

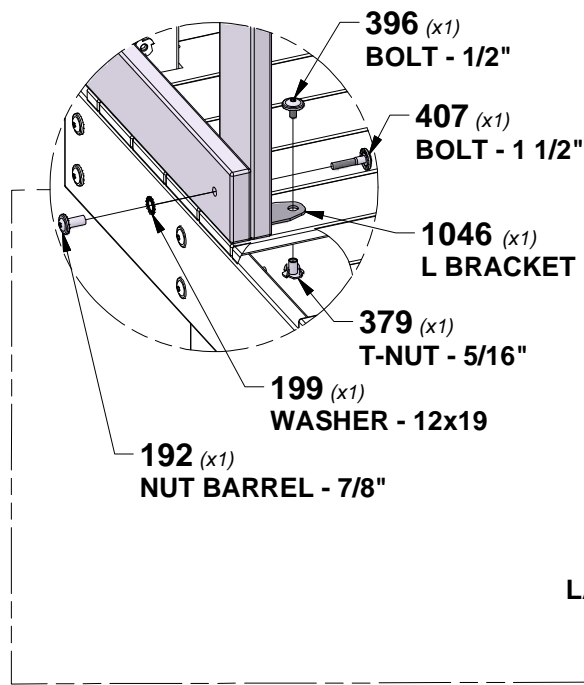


A4M01046 L BRACKET
(2) 2.5x38x55x55

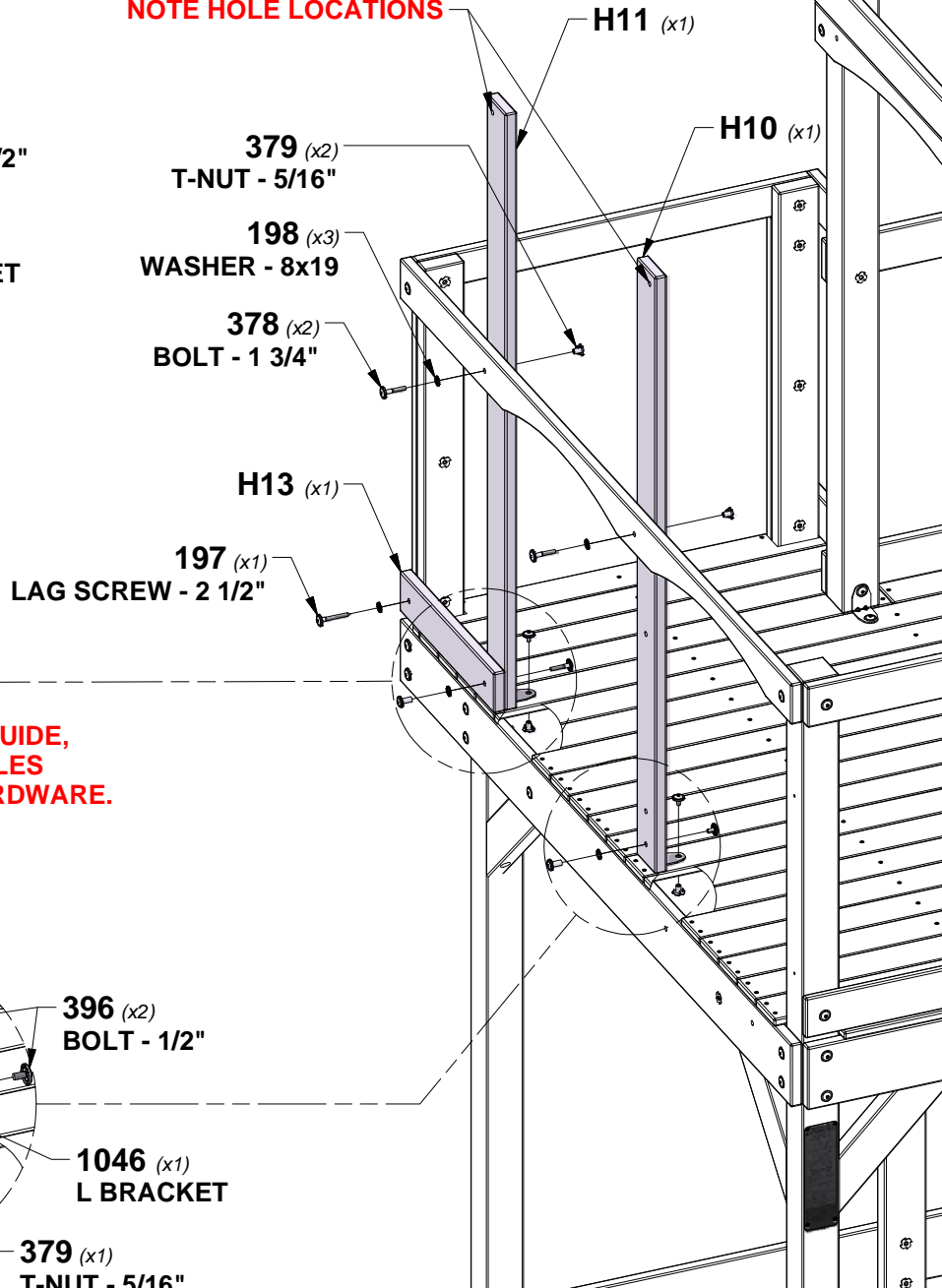


H13 FLOOR RAIL - W4L15477
(1) 1"x3 3/8"x17 1/8" (24x86x435)

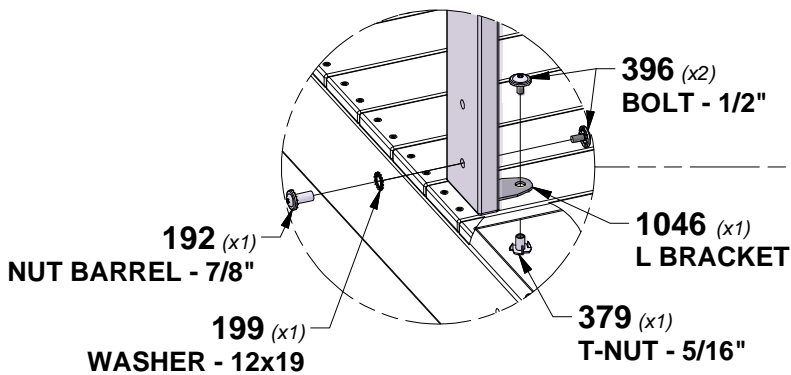
TIP:
INSTALL T-NUTS IN WOOD FIRST



NOTE HOLE LOCATIONS

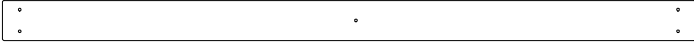


USING BRACKETS AS A GUIDE,
DRILL (2) 3/8" [10 mm] HOLES
THROUGH DECK FOR HARDWARE.



STEP 23 - FORT ASSEMBLY

QTY	PART NUMBER	DESCRIPTION
40	H100088	SCREW PFH 8x1-1/8"



M09 FORT WALL BOARD - W4L15614
 (2) 5/8"x2 7/8"x50 1/2" (16x74x1284)

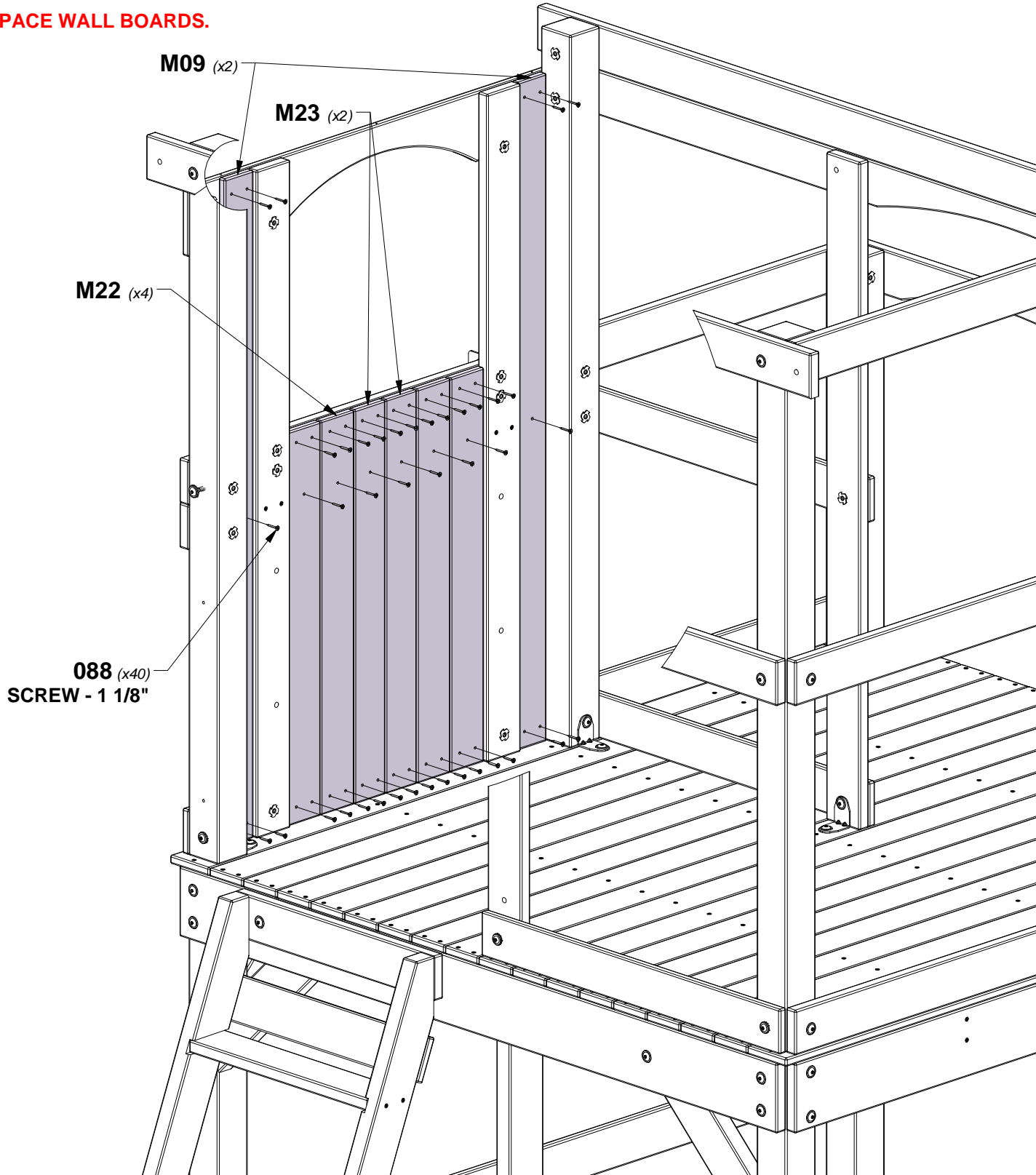


M22 FORT WALL BOARD - W4L15623
 (4) 5/8"x3 3/8"x29 7/8" (16x86x758)



M23 FORT WALL BOARD - W4L15624
 (2) 5/8"x3 1/8"x29 7/8" (16x80x758)

TIP:
EVENLY SPACE WALL BOARDS.



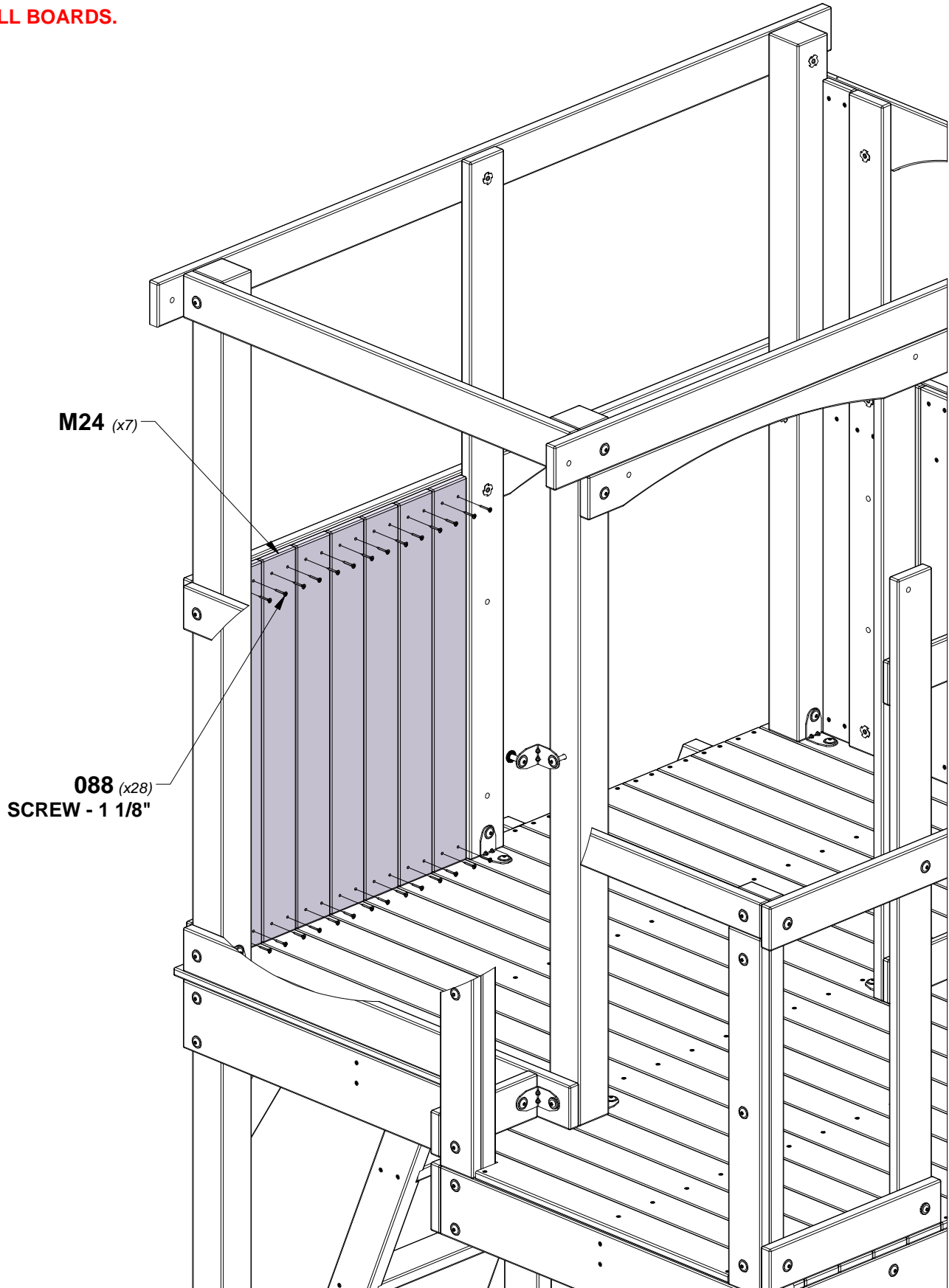
STEP 24 - FORT ASSEMBLY

QTY	PART NUMBER	DESCRIPTION
28	H100088	SCREW PFH 8x1-1/8"



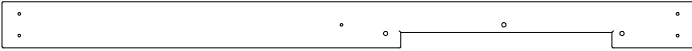
M24 WALL BOARD - W4L15625
(7) 5/8"x3 3/8"x29 5/8" (16x86x752)

TIP:
EVENLY SPACE WALL BOARDS.



STEP 25 - FORT ASSEMBLY

QTY	PART NUMBER	DESCRIPTION
35	H100088	SCREW PFH 8x1-1/8"



M06 WINDOW WALL - W4L15611
(2) 5/8"x3 3/8"x50 1/2" (16x86x1284)



M08 WALL BOARD - W4L15613
(2) 5/8"x3 3/8"x50 1/2" (16x86x1284)

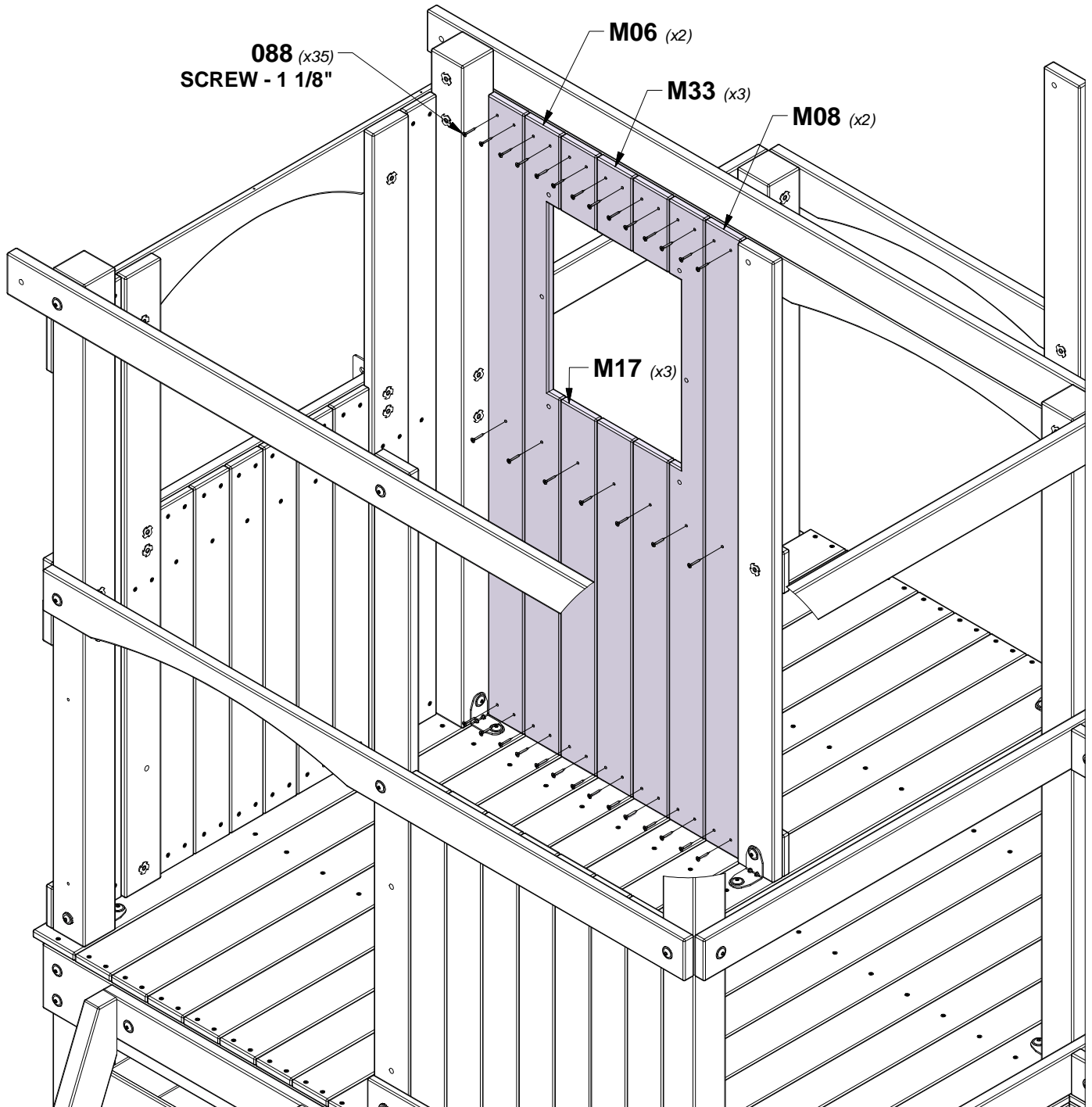


M33 FRONT WINDOW WALL BOARD - W4L15628
(3) 5/8"x3 3/8"x6 1/8" (16x86x154)



M17 FRONT WINDOW WALL BOARD - W4L15619
(3) 5/8"x3 3/8"x29 1/8" (16x86x739)

TIP:
EVENLY SPACE WALL BOARDS.

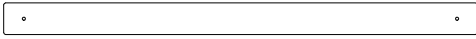


STEP 26 - FORT ASSEMBLY

QTY	PART NUMBER	DESCRIPTION
38	H100088	SCREW PFH 8x1-1/8"

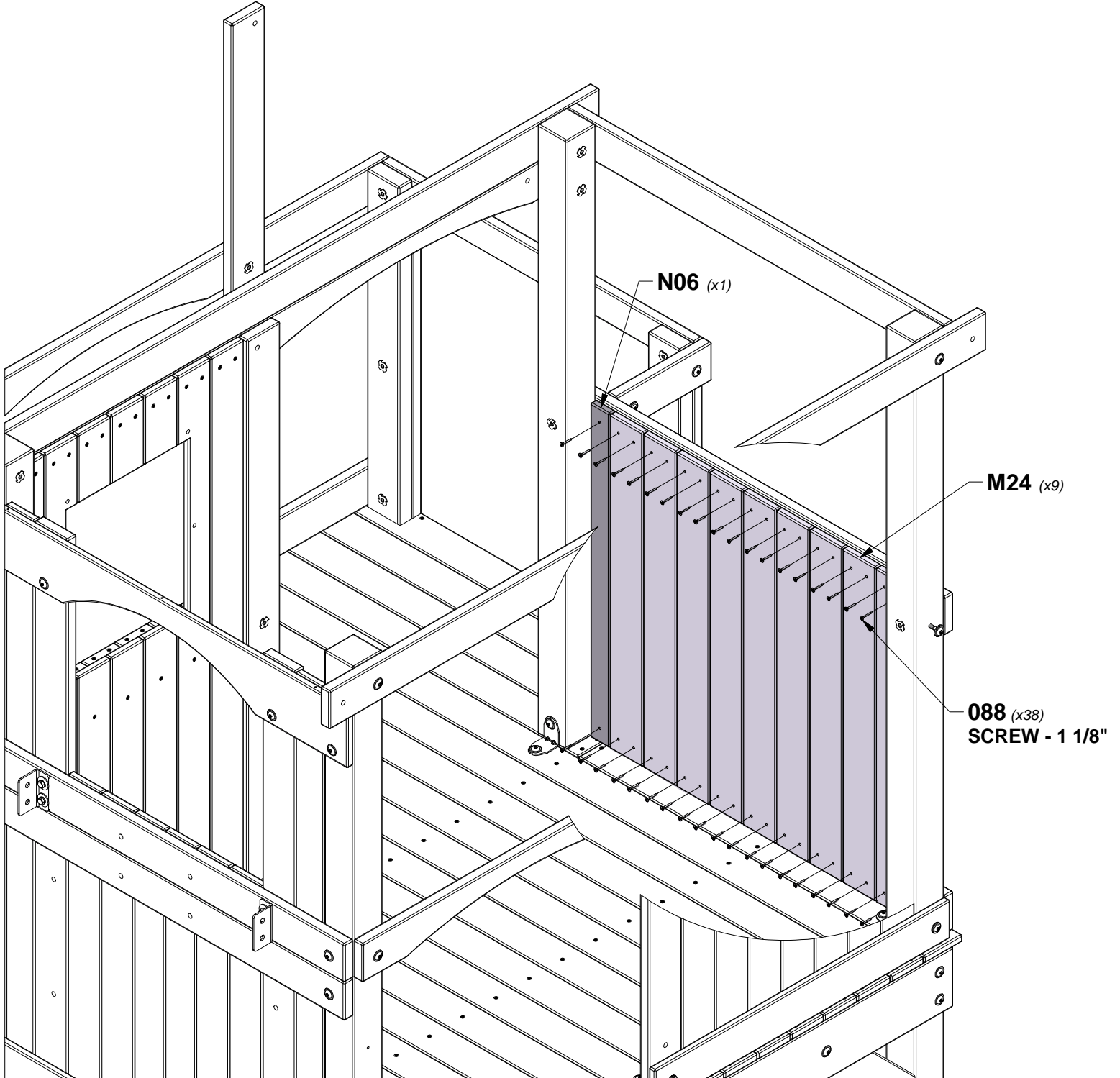


M24 WALL BOARD - W4L15625
(9) 5/8"x3 3/8"x29 5/8" (16x86x752)



N06 WALL BOARD - W4L15465
(1) 5/8"x2"x29 5/8" (16x50x752)

TIP:
EVENLY SPACE WALL BOARDS.

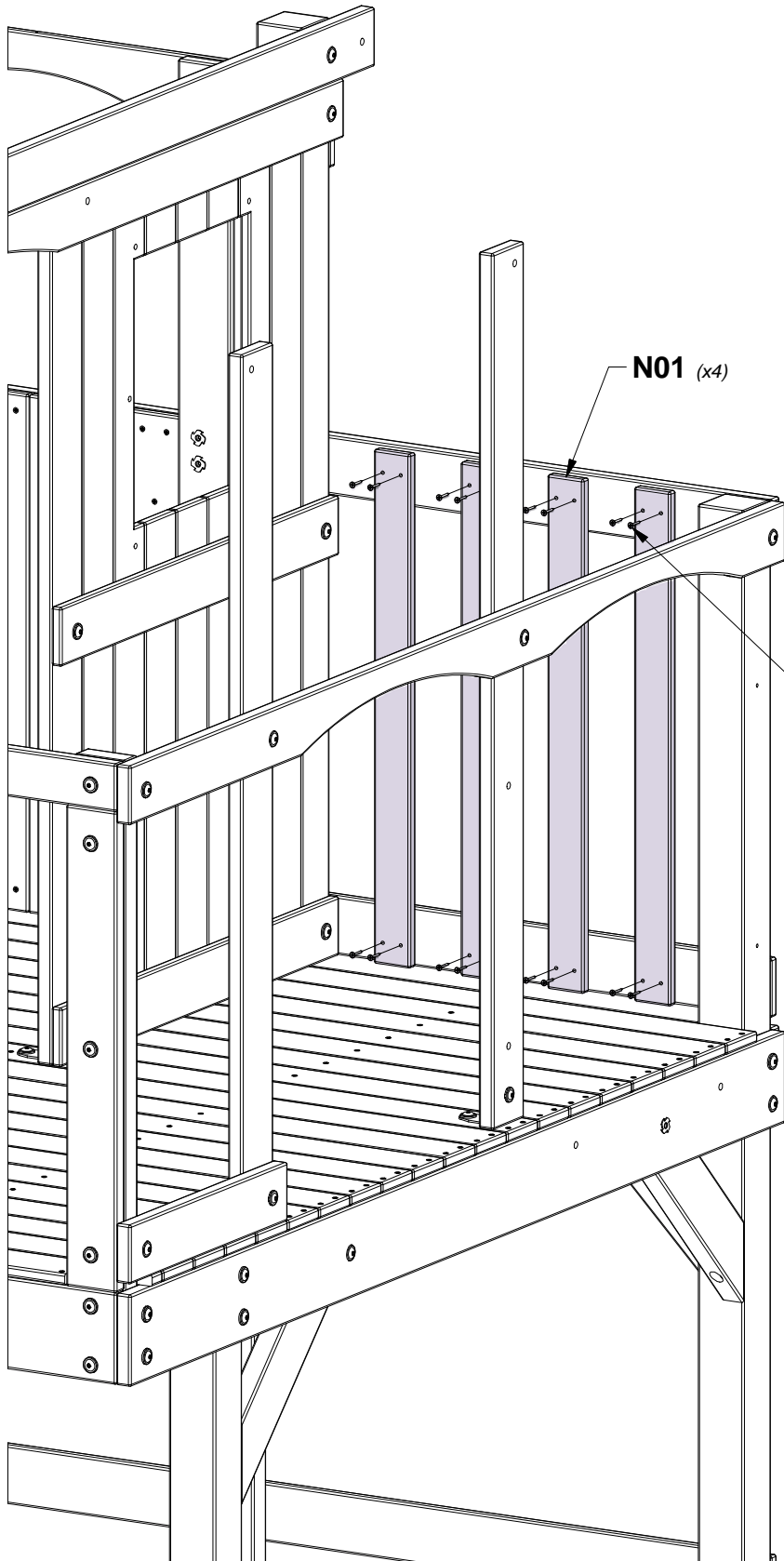


STEP 27 - FORT ASSEMBLY



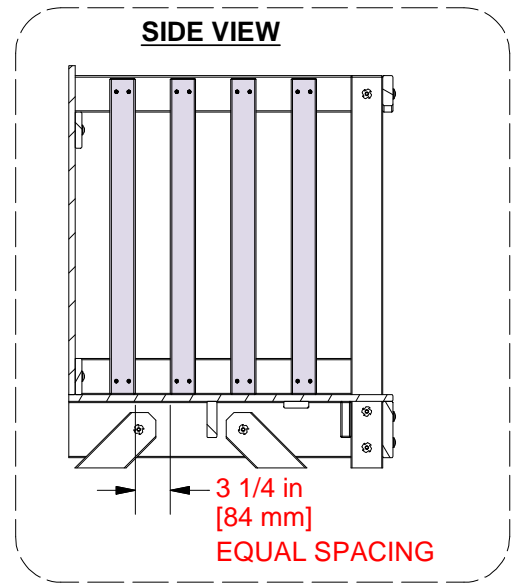
N01 PICKET - W4L15634
 (4) 5/8"x2 3/8"x29 5/8" (16x60x752)

QTY	PART NUMBER	DESCRIPTION
16	H100088	SCREW PFH 8x1-1/8"



N01 (x4)

088 (x16)
SCREW - 1 1/8"



SIDE VIEW

3 1/4 in
[84 mm]
EQUAL SPACING

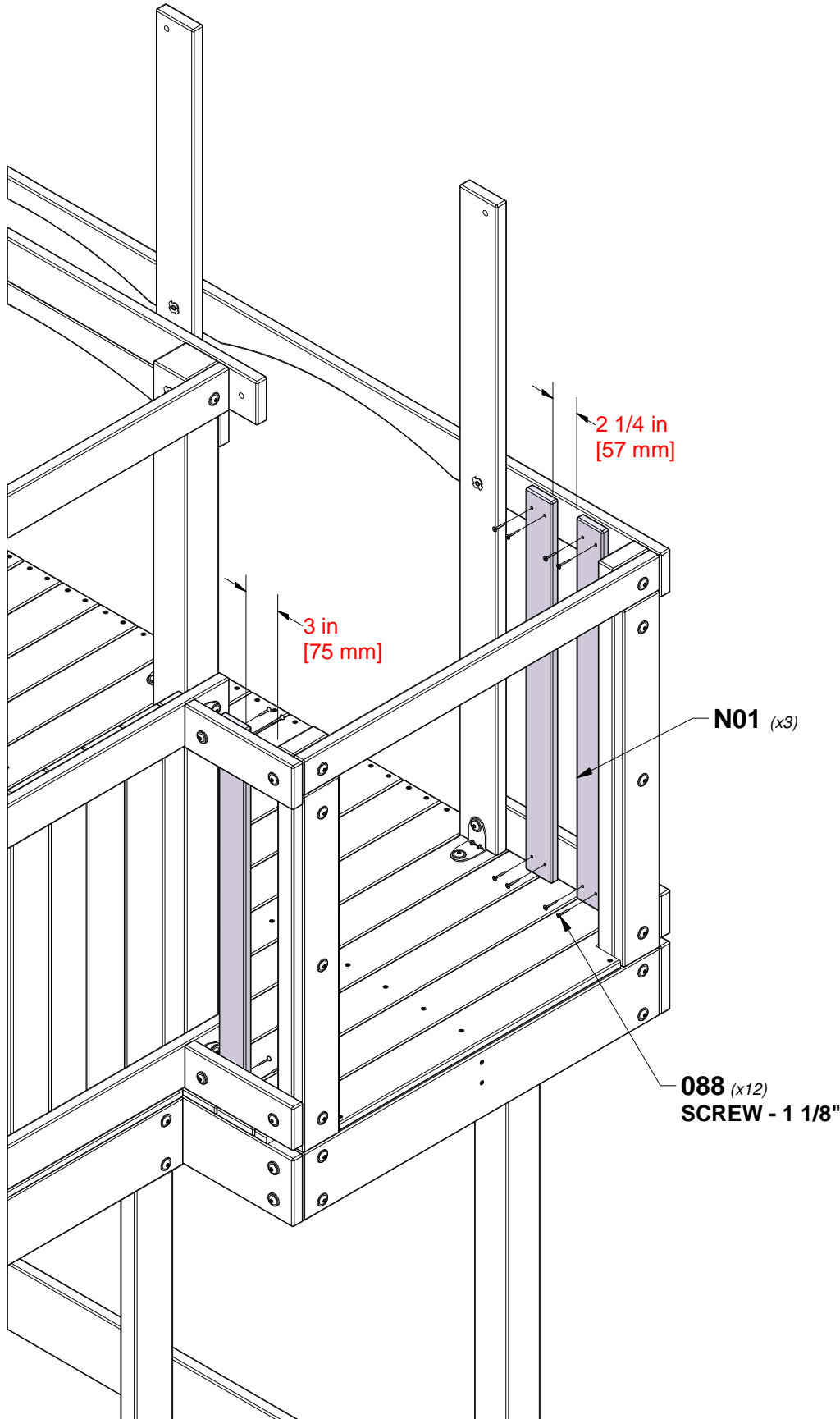
USE PICKET PAL FOR SPACING

STEP 28 - FORT ASSEMBLY

QTY	PART NUMBER	DESCRIPTION
12	H100088	SCREW PFH 8x1-1/8"

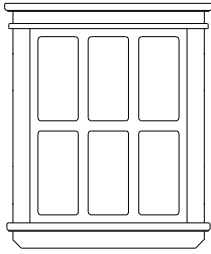


N01 PICKET - W4L15634
(3) 5/8"x2 3/8"x29 5/8" (16x60x752)



STEP 29 - FORT ASSEMBLY

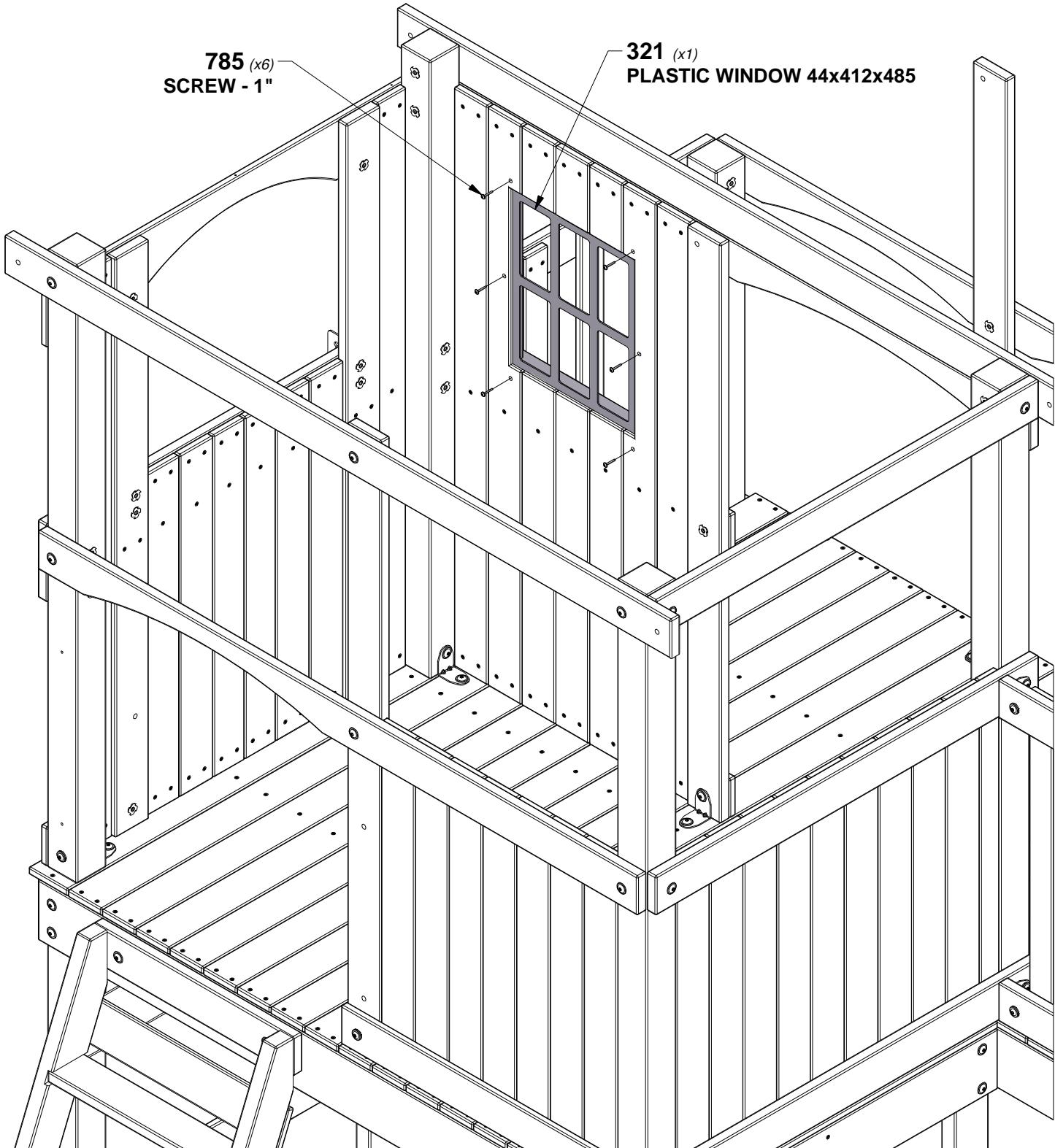
QTY	PART NUMBER	DESCRIPTION
6	H100785	SCREW PWH 8x1



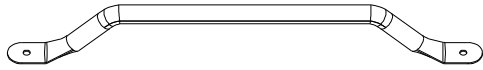
A100321 PLASTIC WINDOW
(x1) 44x412x485

785 (x6)
SCREW - 1"

321 (x1)
PLASTIC WINDOW 44x412x485



STEP 30 - FORT ASSEMBLY



A100324
(2) **LADDER RUNG 578 GREEN**

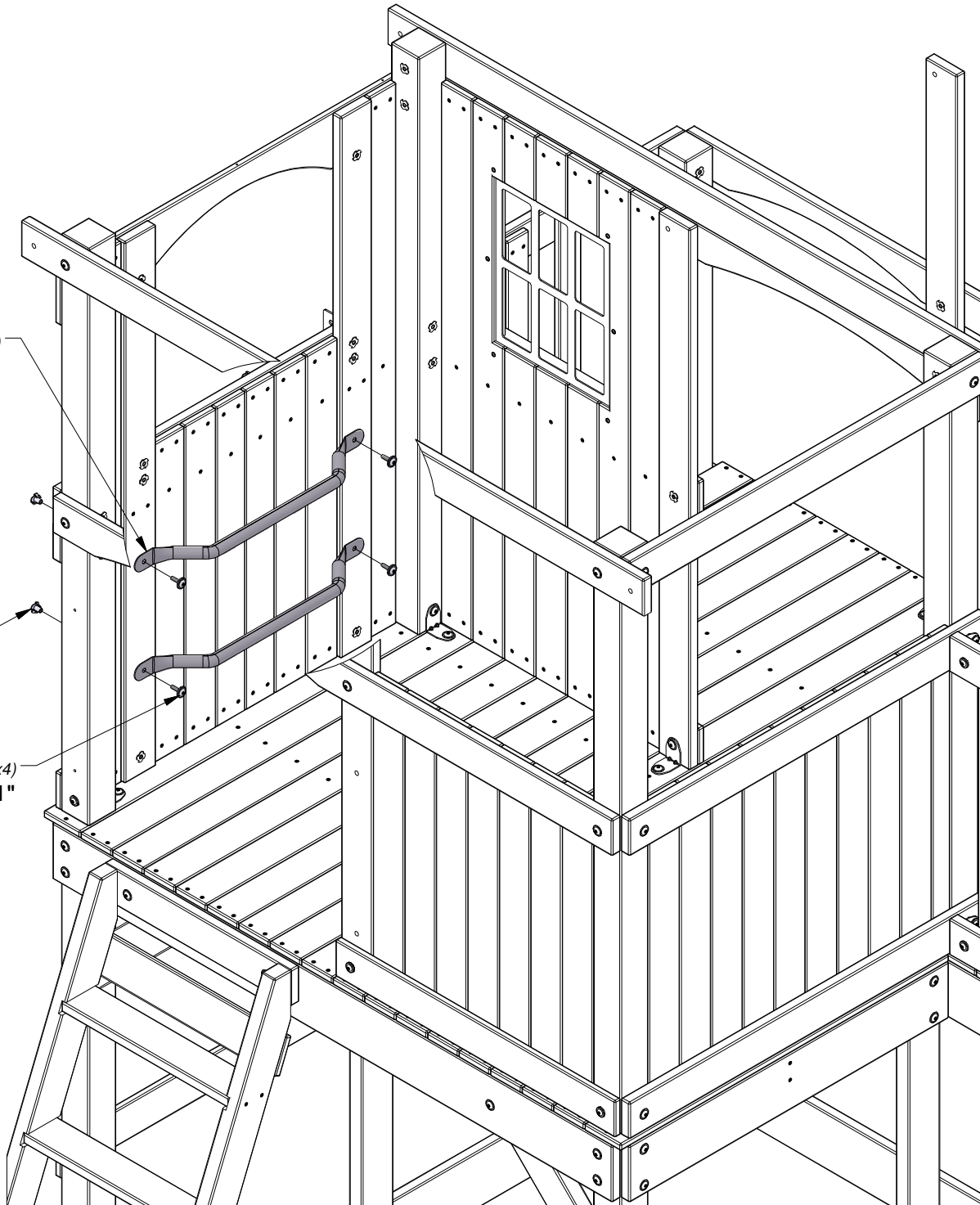
QTY	PART NUMBER	DESCRIPTION
4	H100379	T-NUT 5/16 BLK
4	H100468	BOLT WH 5/16x1 BLK

TIP:
INSTALL T-NUTS IN WOOD FIRST

324 (x2)
LADDER RUNG 578 GREEN

379 (x4)
T-NUT - 5/16"

468 (x4)
BOLT - 1"



STEP 31 - FORT ASSEMBLY

QTY	PART NUMBER	DESCRIPTION
4	H100198	WASHER LOCK EXT 8x19 BLK
4	H100378	BOLT WH 5/16x1 3/4 BLK
4	H100379	T-NUT 5/16 BLK
2	H100483	SCREW PFH 8x2 1/4 BLK

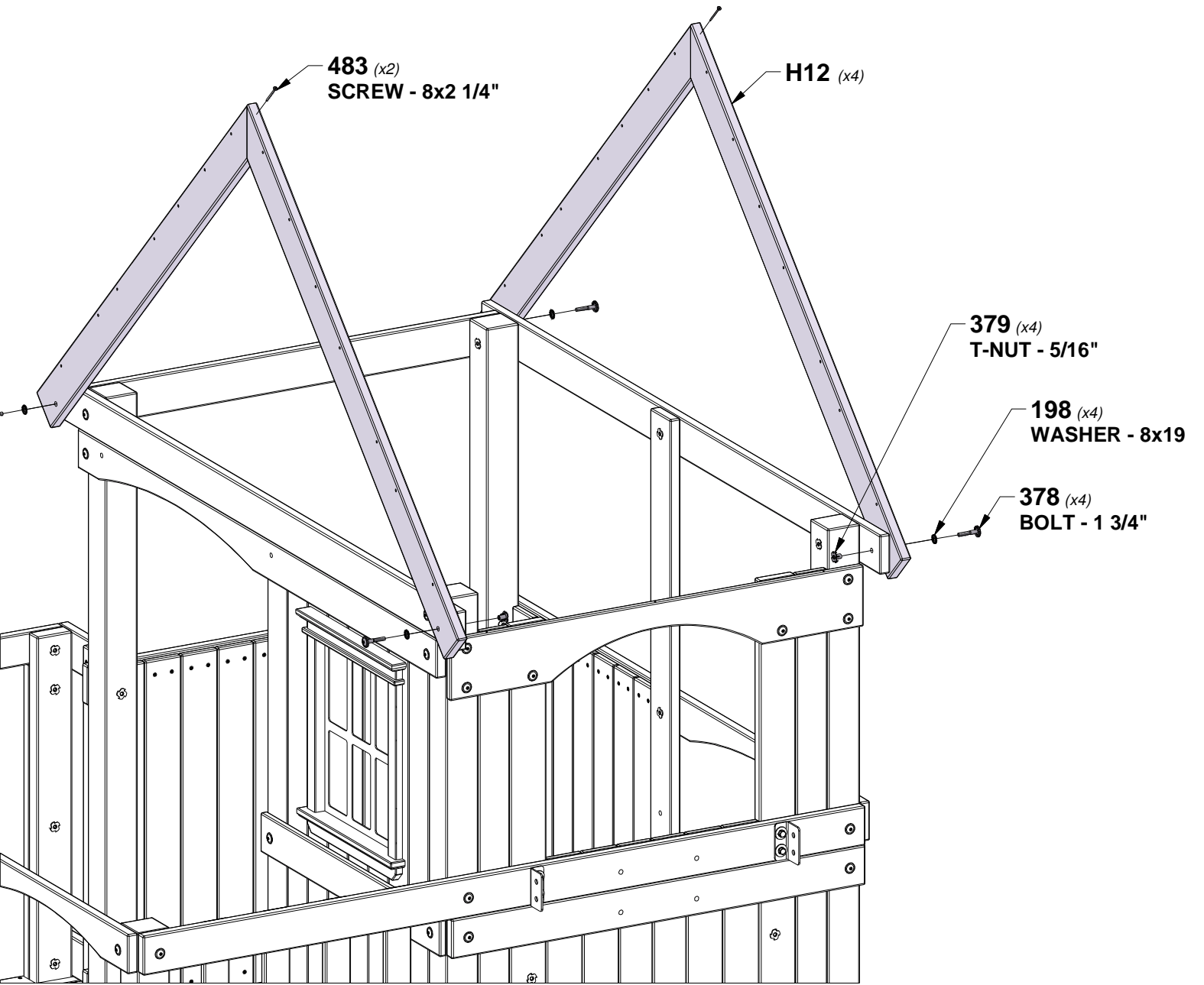


H12 ROOF RAFTER - W4L15476
 (4) 1"x3 3/8"x50 3/8" (24x86x1278)

TIP:
INSTALL T-NUTS IN WOOD FIRST

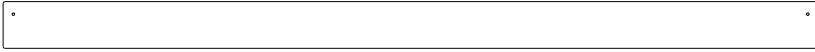
SIDE VIEW

USING A 3/16" DRILL BIT, MARK AND DRILL A PILOT HOLE INTO 'H12' RAFTER TO PREVENT SPLITTING. ONLY DRILL THROUGH ONE RAFTER NOT BOTH. (REPEAT ON BOTH RAFTER ASSEMBLIES)



STEP 32 - FORT ASSEMBLY

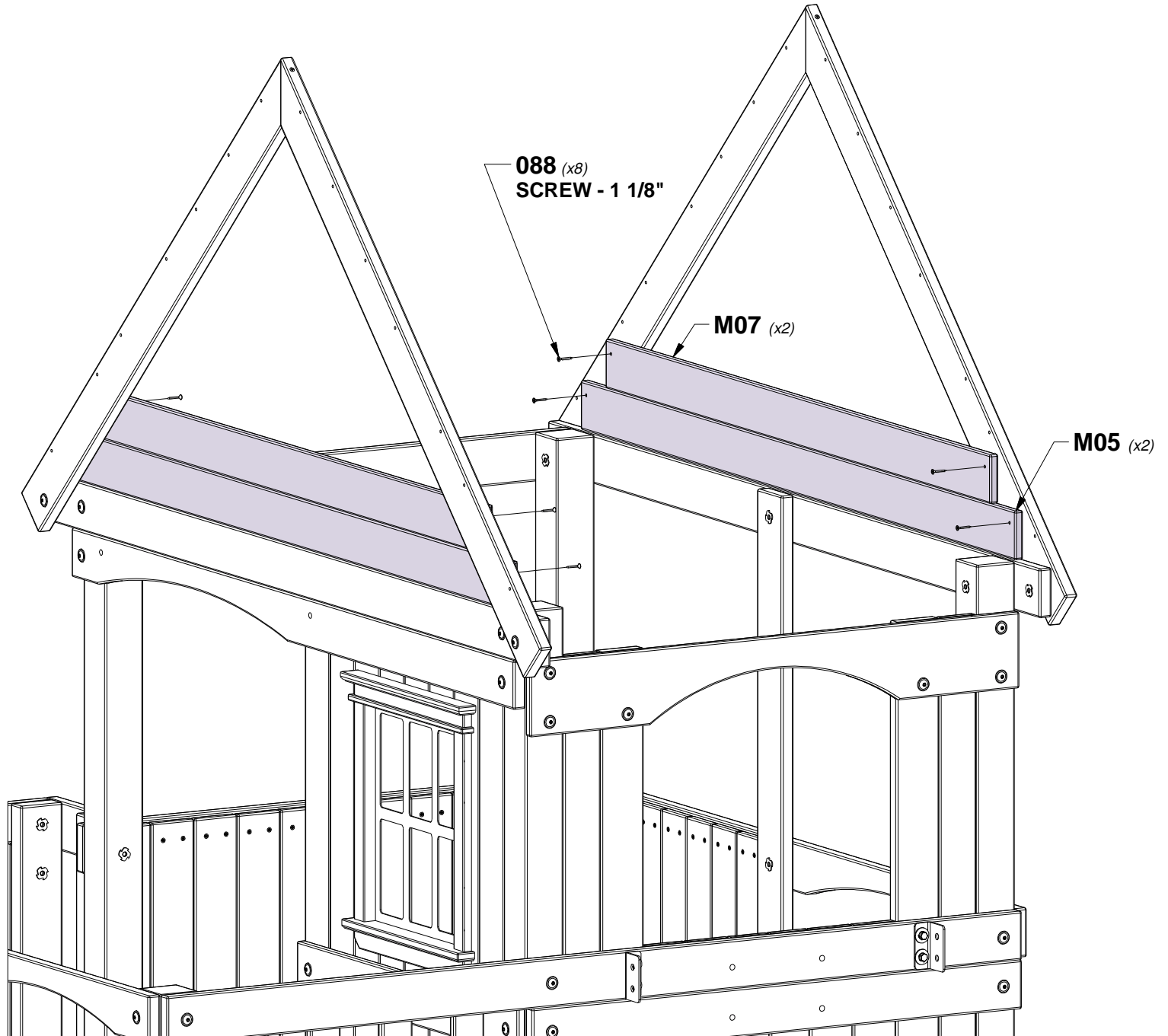
QTY	PART NUMBER	DESCRIPTION
8	H100088	SCREW PFH 8x1-1/8"



M05 GABLE BOARD - W4L15610
 (2) 5/8"x3 3/8"x59 1/2" (16x86x1510)



M07 GABLE BOARD - W4L15612
 (2) 5/8"x3 3/8"x52 5/8" (16x86x1338)



STEP 33 - FORT ASSEMBLY

QTY	PART NUMBER	DESCRIPTION
6	H100088	SCREW PFH 8x1-1/8"



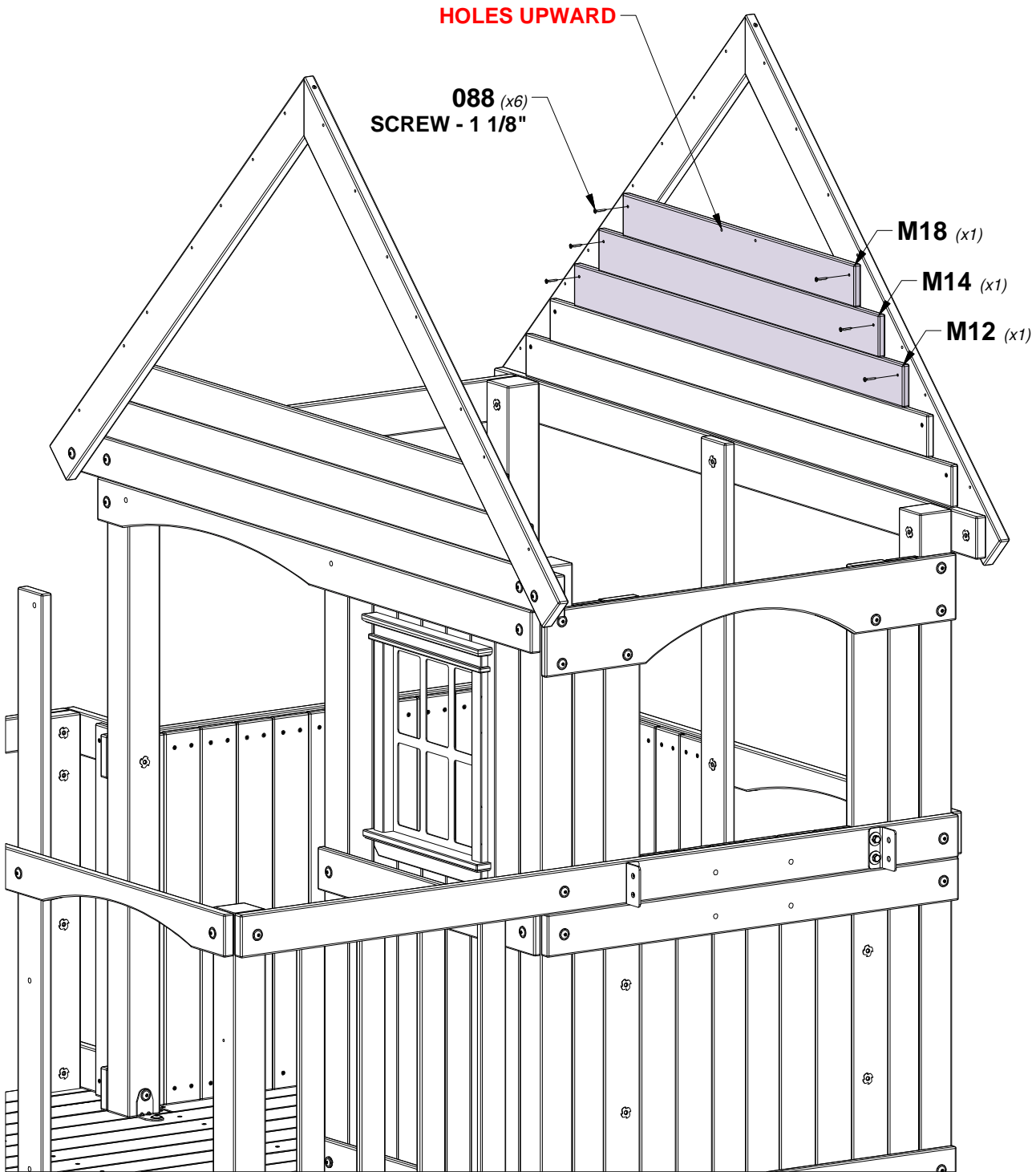
M12 GABLE BOARD - W4L15617
 (1) 5/8"x3 3/8"x45 7/8" (16x86x1166)



M14 GABLE BOARD - W4L15618
 (1) 5/8"x3 3/8"x39 1/8" (16x86x994)



M18 GABLE BOARD - W4L15620
 (1) 5/8"x3 3/8"x32 3/8" (16x86x822)



STEP 34 - FORT ASSEMBLY

QTY	PART NUMBER	DESCRIPTION
6	H100088	SCREW PFH 8x1-1/8"



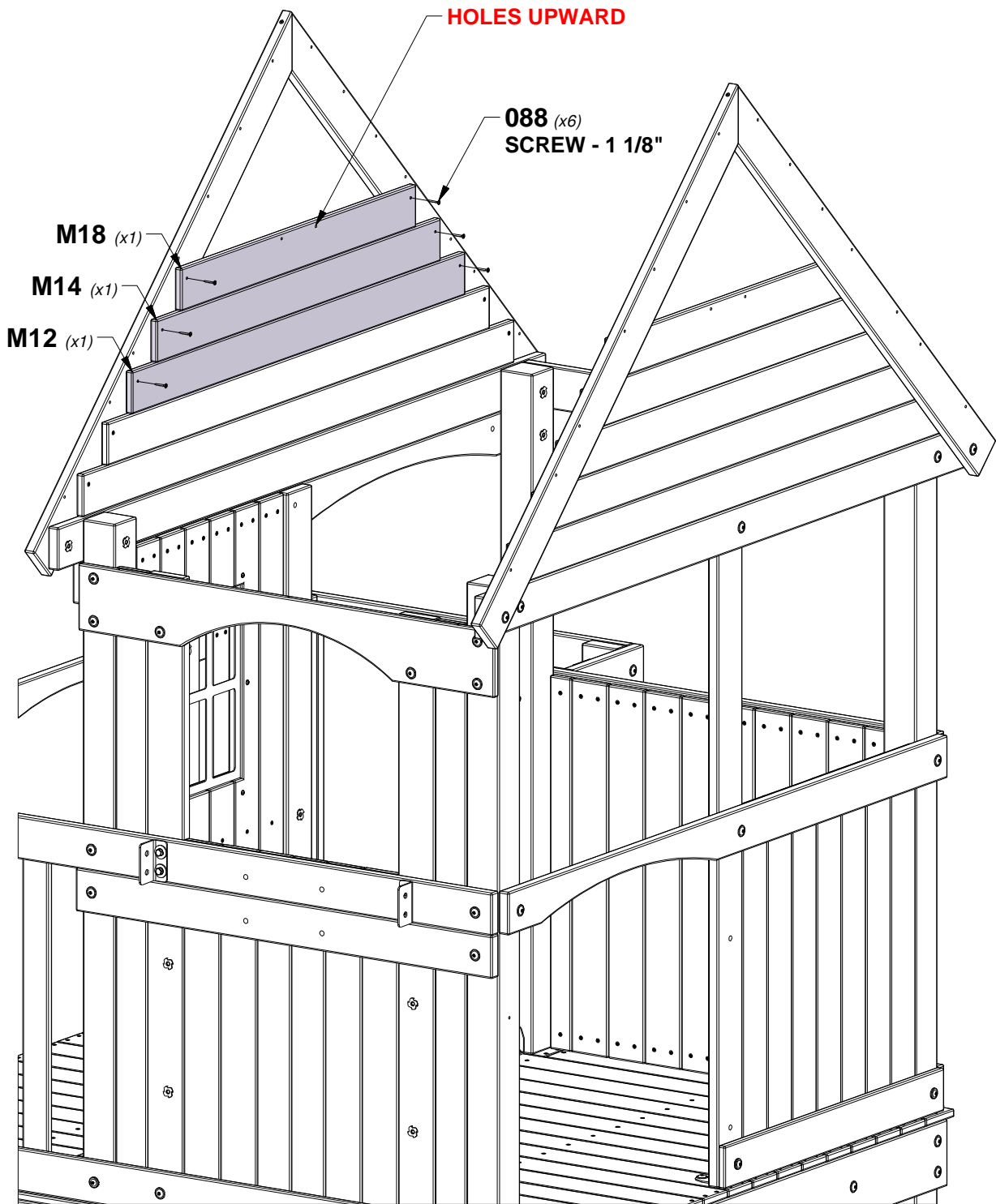
M12 GABLE BOARD - W4L15617
 (1) 5/8"x3 3/8"x45 7/8" (16x86x1166)



M14 GABLE BOARD - W4L15618
 (1) 5/8"x3 3/8"x39 1/8" (16x86x994)

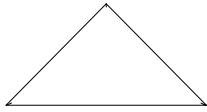


M18 GABLE BOARD - W4L15620
 (1) 5/8"x3 3/8"x32 3/8" (16x86x822)



STEP 35 - FORT ASSEMBLY

QTY	PART NUMBER	DESCRIPTION
4	H100088	SCREW PFH 8x1-1/8"
18	H100380	SCREW PFH 8x1 1/8 BLK



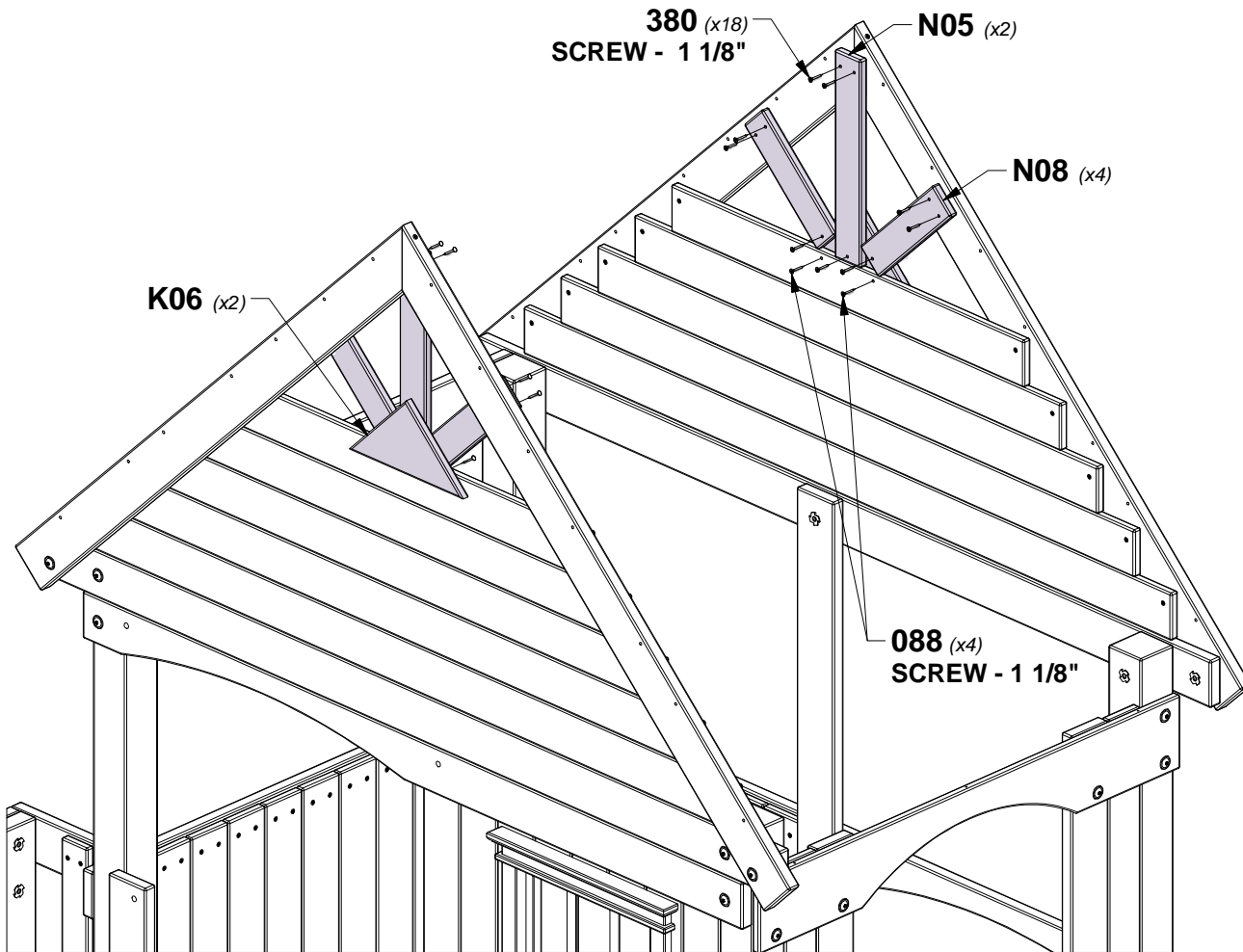
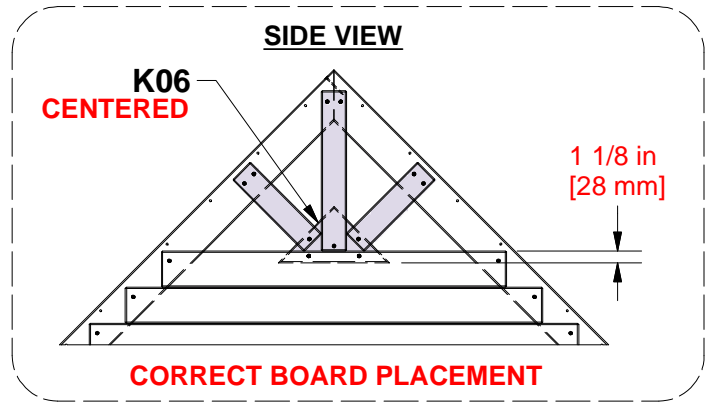
K06 TRIANGLE SUNBURST - W4L15496
 (2) 5/8"x5 1/4"x10 3/8" (16x134x265)



N05 FRONT PORCH GABLE TRIM - W4L15638
 (2) 5/8"x2 3/8"x15" (16x60x381)



N08 FRONT PORCH GABLE TRIM - W4L15640
 (4) 5/8"x2 3/8"x9 1/2" (16x60x241)

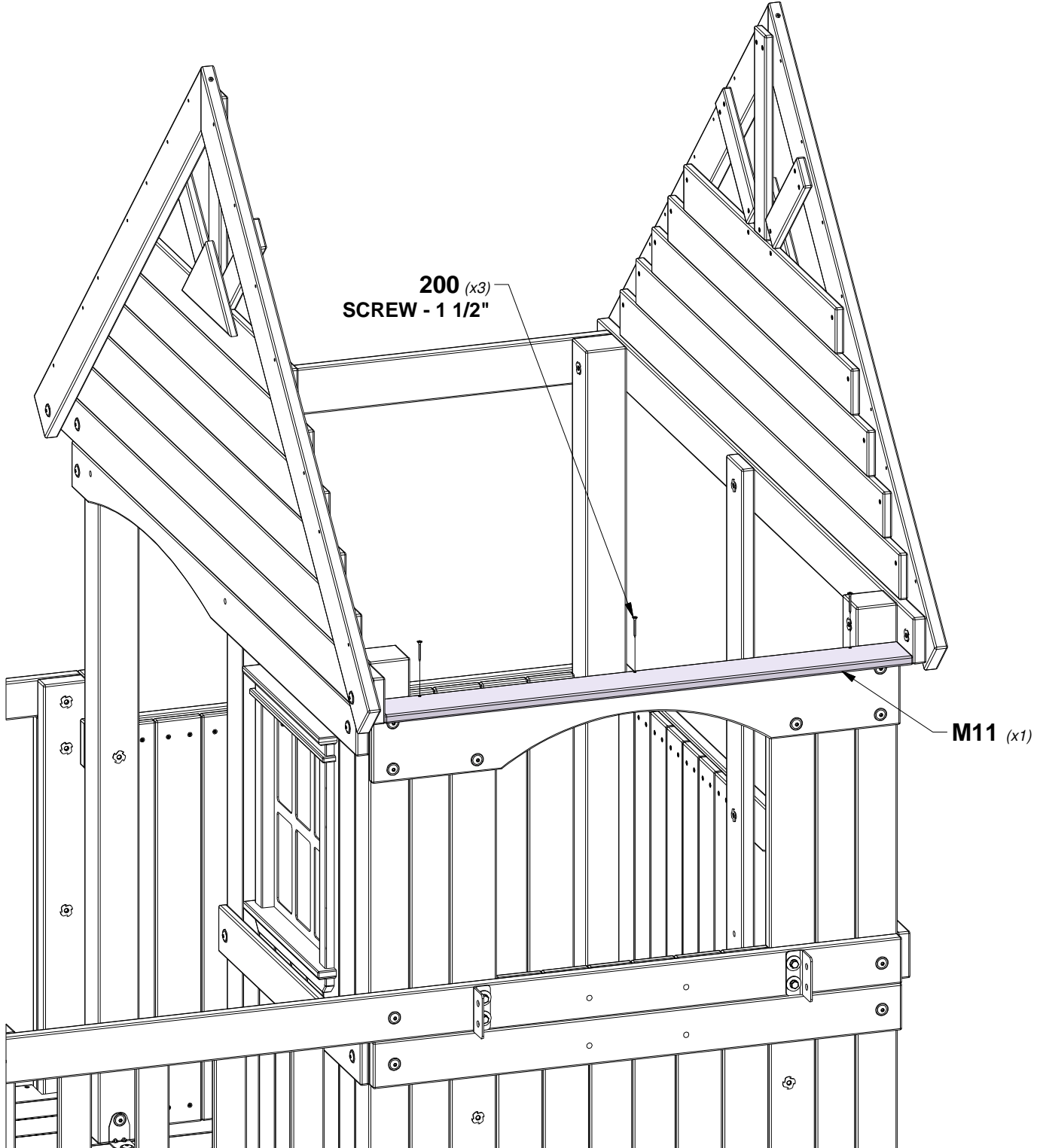


STEP 36 - FORT ASSEMBLY

QTY	PART NUMBER	DESCRIPTION
3	H100200	SCREW PFH 8x1-1/2 BLK

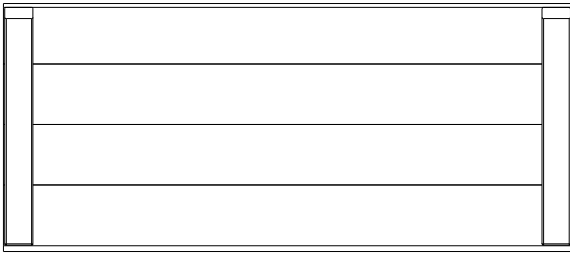


M11 SOFFIT CAP - W4L15616
(1) 5/8"x3 3/8"x38 5/8" (16x86x982)

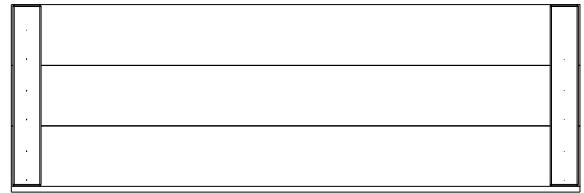


STEP 37 - FORT ASSEMBLY

QTY	PART NUMBER	DESCRIPTION
14	H100483	SCREW PFH 8x2 1/4 BLK

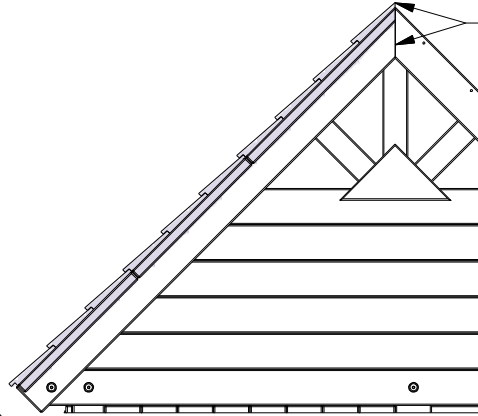


RP3 ROOF PANEL - W2A03267
 (1) 1 5/8"x20 5/8"x59" (42x524x1204)



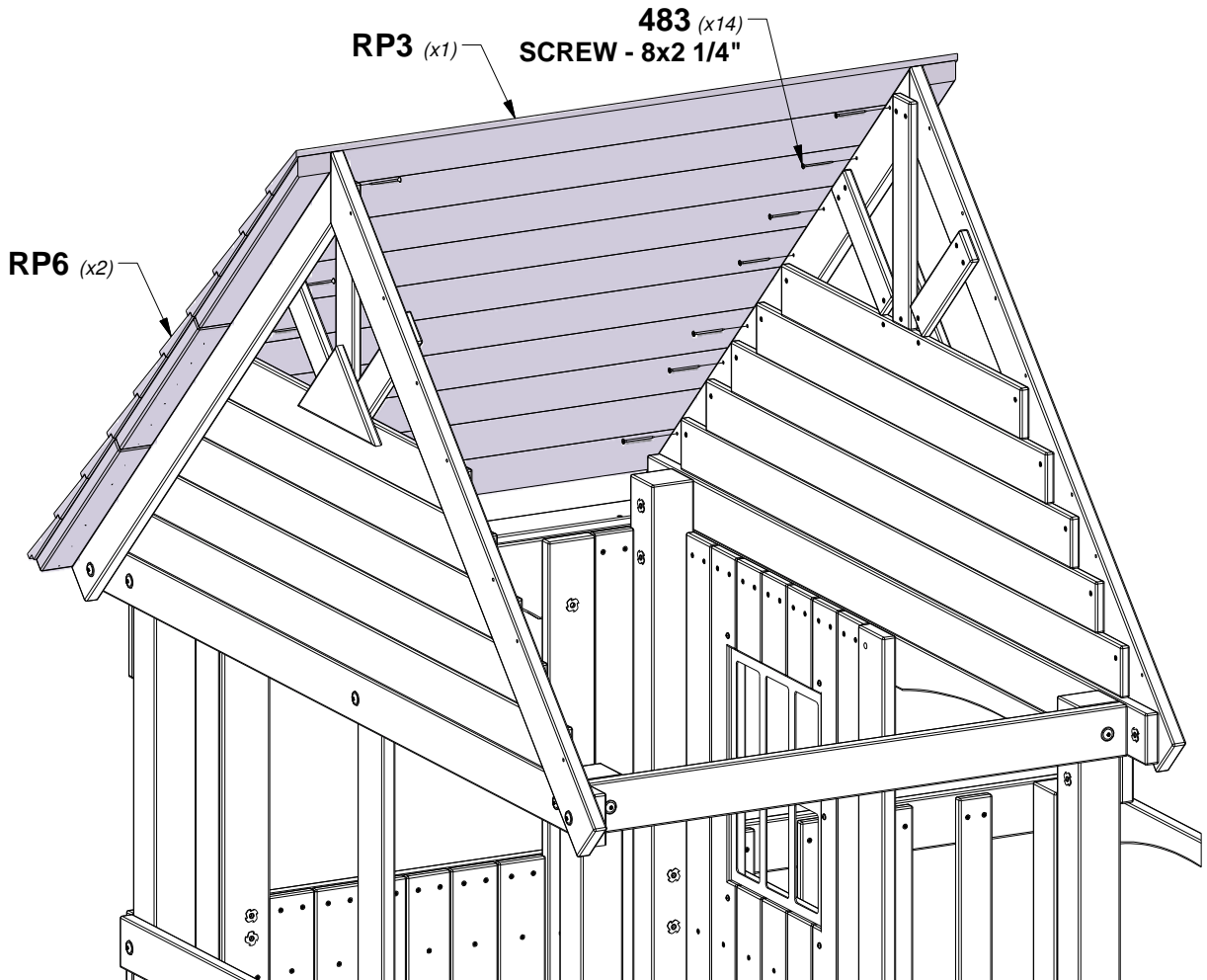
RP6 W2A03270 - ROOF PANEL
 (2) 1 5/8"x15 5/8"x59" (42x396x1204)

SIDE VIEW



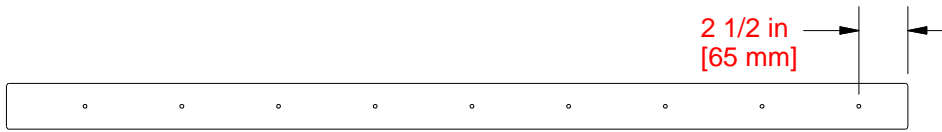
NOTE:
 START WITH TOP PANEL FIRST
 FLUSH EDGES

CORRECT PANEL PLACEMENT

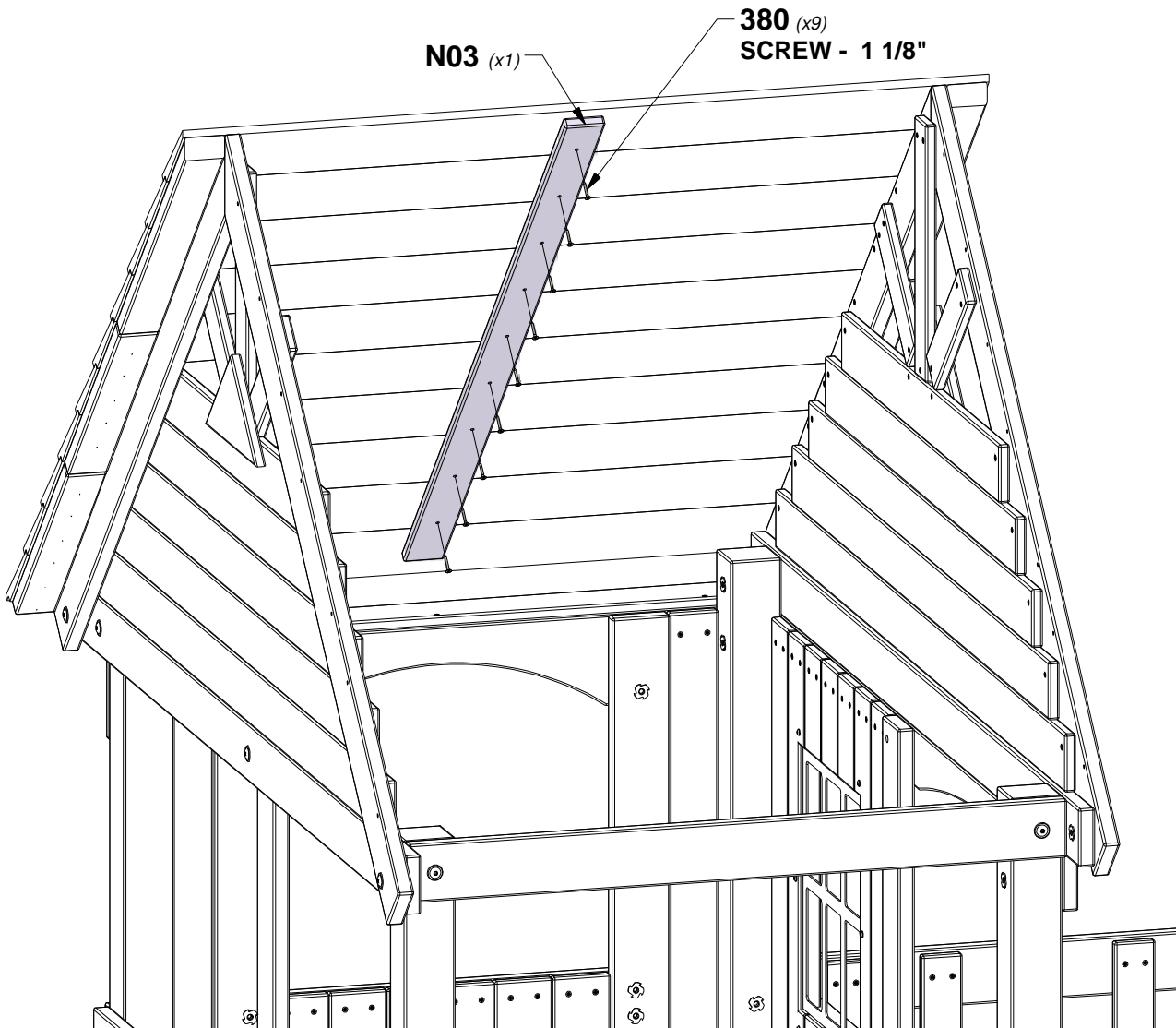
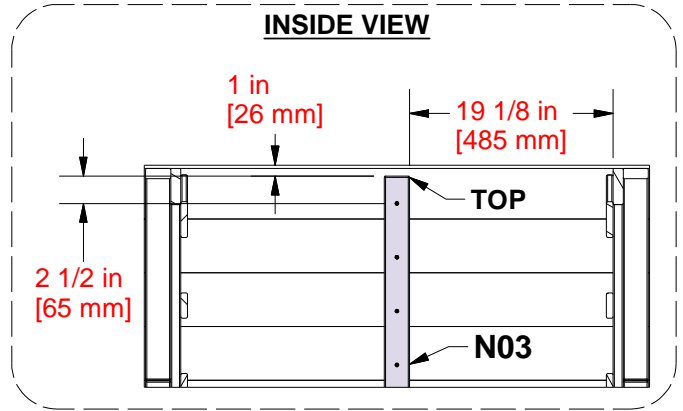


STEP 38 - FORT ASSEMBLY

QTY	PART NUMBER	DESCRIPTION
9	H100380	SCREW PFH 8x1 1/8 BLK

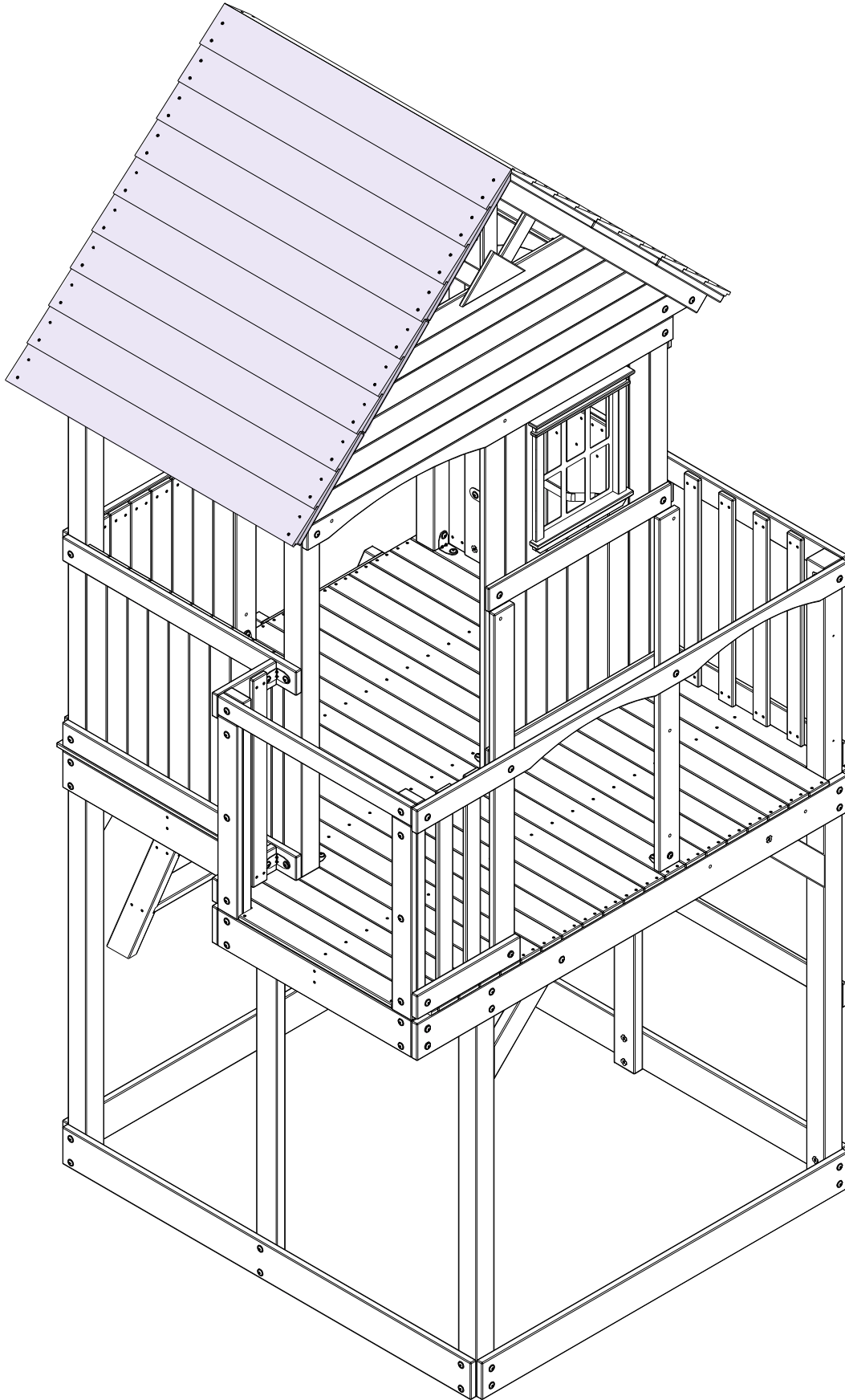


N03 ROOF SUPPORT - W4L15636
 (1) 5/8"x2 3/8"x47" (16x60x1193)

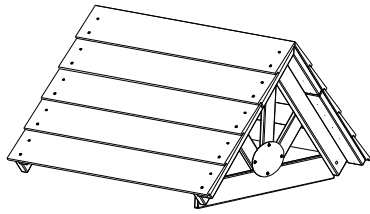


STEP 39 - FORT ASSEMBLY

REPEAT STEPS 37 & 38 TO ATTACH LEFT SIDE ROOF PANELS.



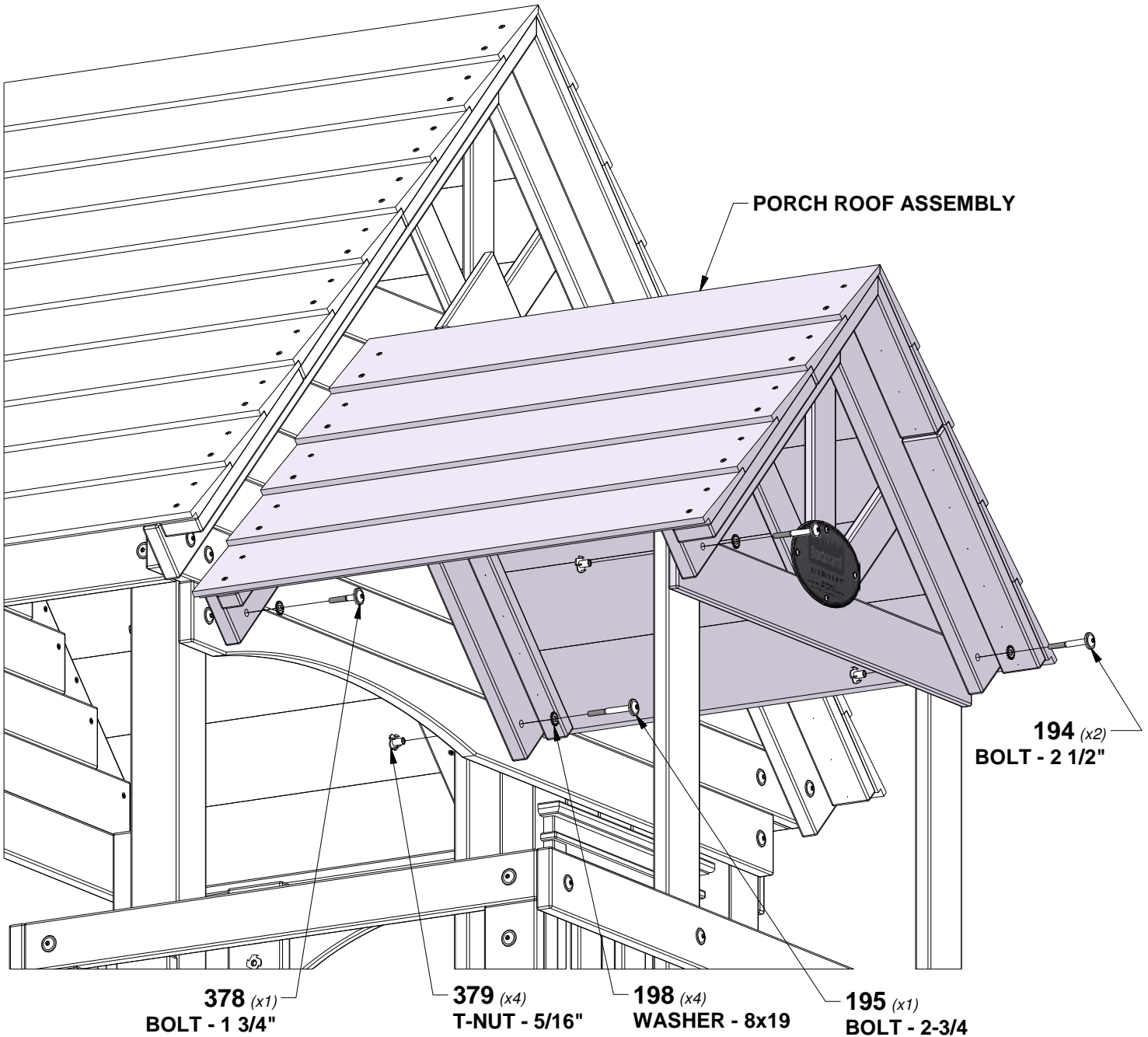
STEP 40 - FORT ASSEMBLY



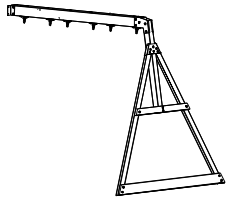
(1) PORCH ROOF ASSEMBLY

QTY	PART NUMBER	DESCRIPTION
2	H100194	BOLT WH 5/16x2-1/2 BLK
1	H100195	BOLT WH 5/16x2-3/4 BLK
4	H100198	WASHER LOCK EXT 8x19 BLK
1	H100378	BOLT WH 5/16x1 3/4 BLK
4	H100379	T-NUT 5/16 BLK

TIP:
INSTALL T-NUTS IN WOOD FIRST

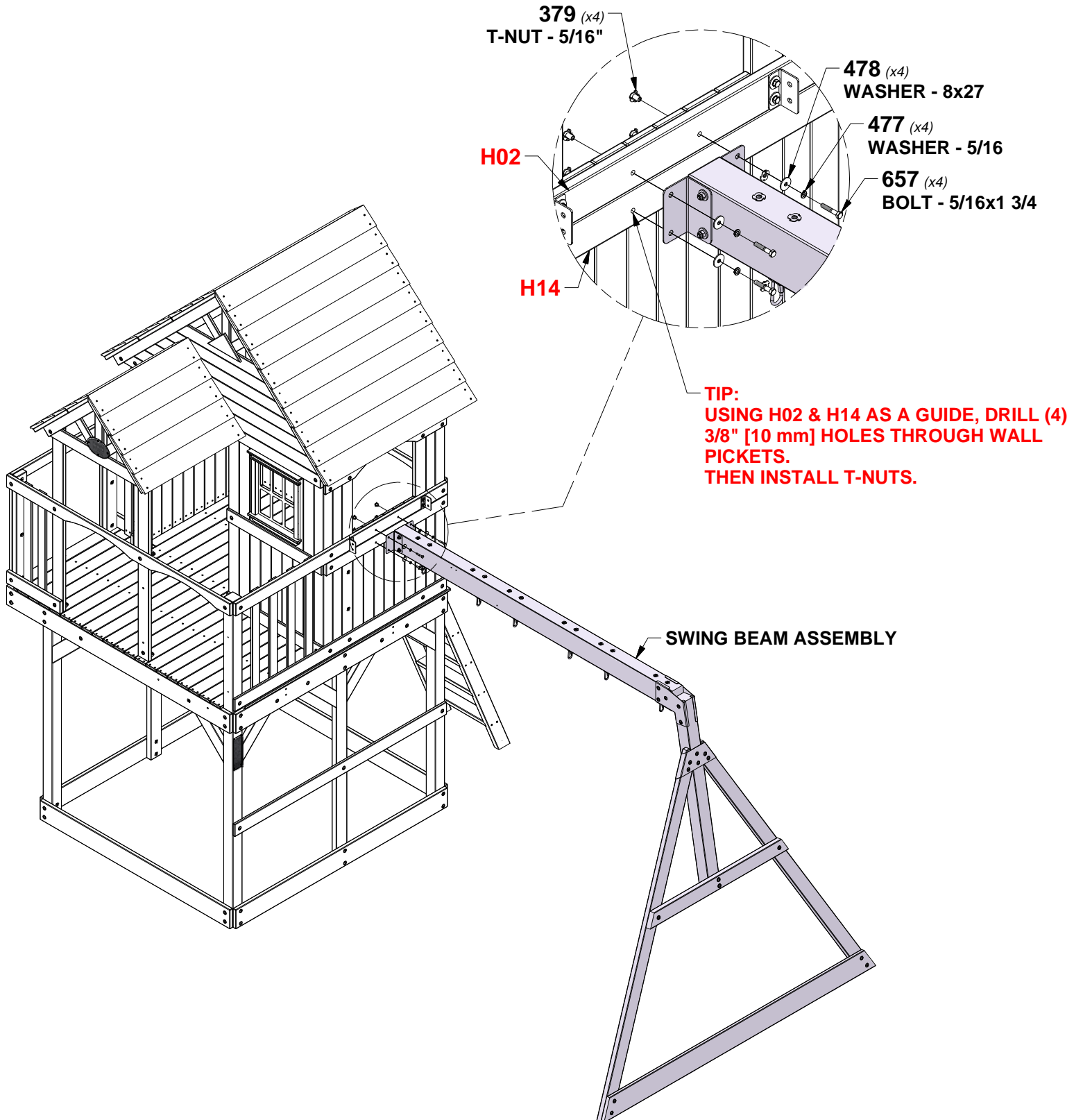


STEP 41 - FORT ASSEMBLY

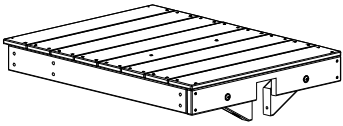


(1) SWING BEAM ASSEMBLY

QTY	PART NUMBER	DESCRIPTION
4	H100379	T-NUT 5/16 BLK
4	H100477	WASHER SPLIT 5/16 BLK
4	H100478	WASHER FLAT 8x27 BLK
4	H100657	BOLT HEX 5/16x1-3/4 BLK

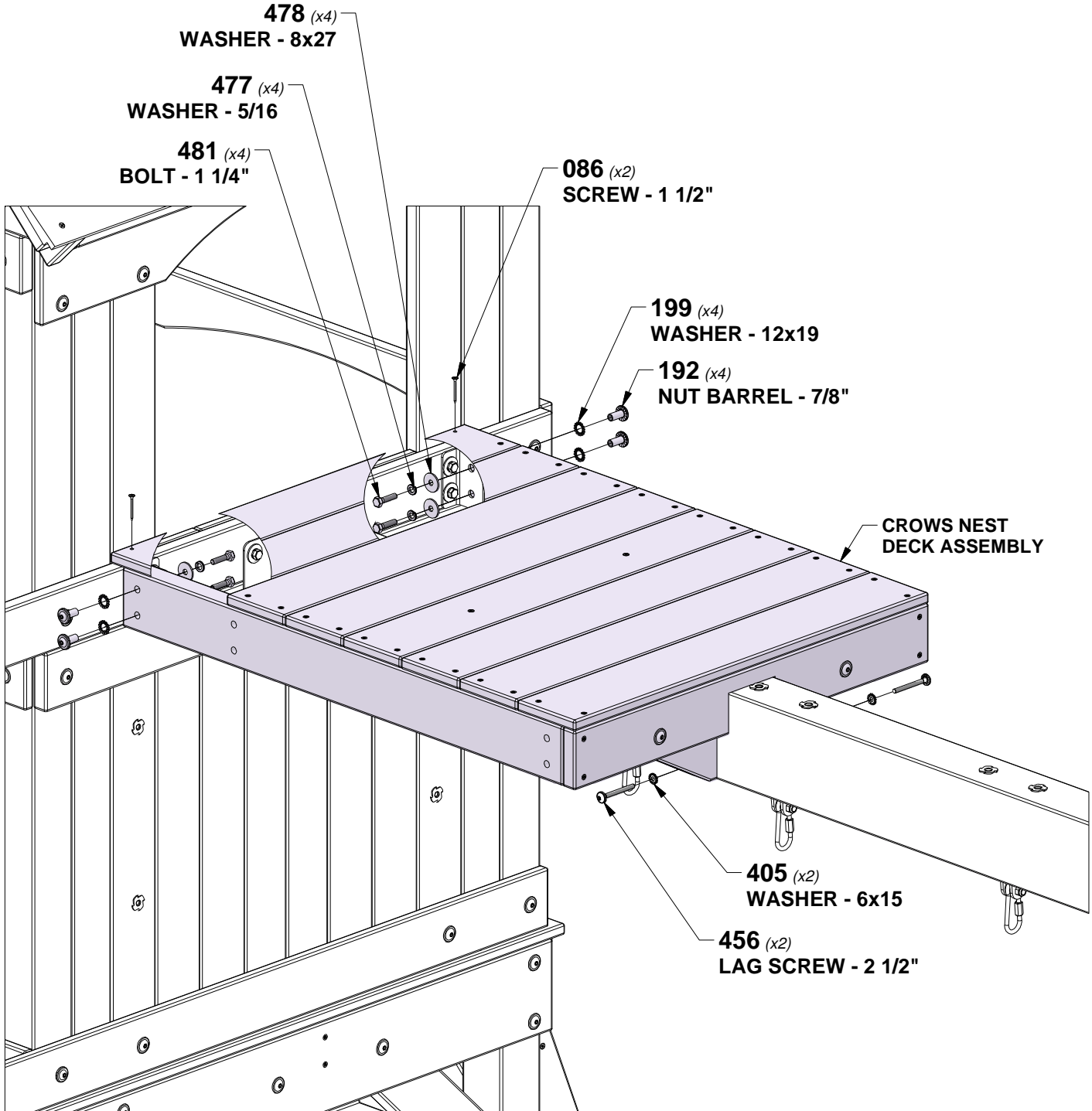


STEP 42 - FORT ASSEMBLY



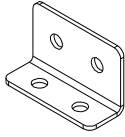
(1) CROWS NEST DECK ASSEMBLY

QTY	PART NUMBER	DESCRIPTION
2	H100086	SCREW PFH 8x1-1/2"
4	H100192	NUT BARREL WH 5/16x7/8 BLK
4	H100199	WASHER LOCK EXT 12x19 BLK
2	H100405	WASHER LOCK EXT 6x15 BLK
2	H100456	LAG SCREW WH 1/4x2-1/2 BLK
4	H100477	WASHER SPLIT 5/16 BLK
4	H100478	WASHER FLAT 8x27 BLK
4	H100481	BOLT HEX 5/16x1 1/4 BLK

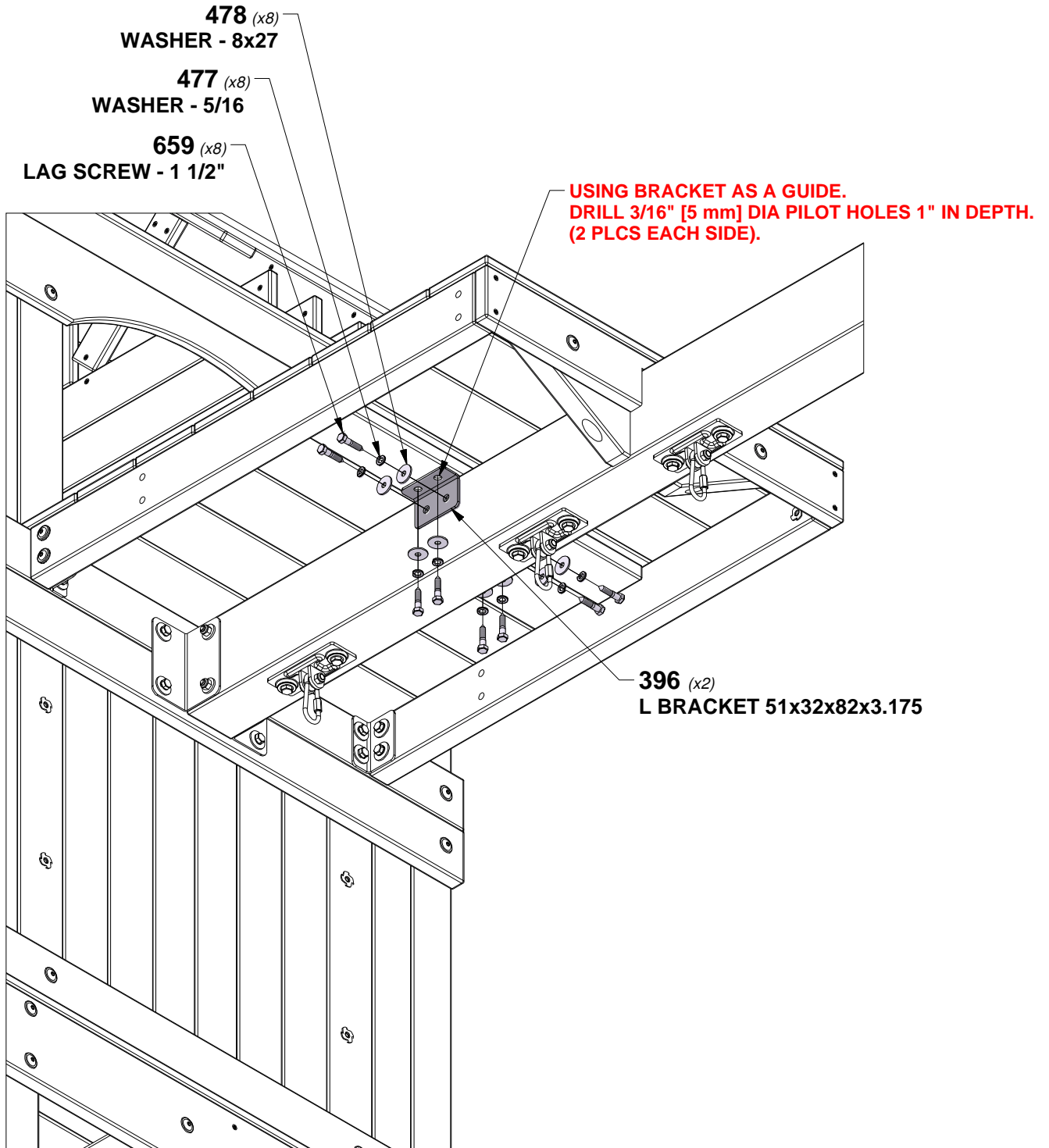


STEP 43 - FORT ASSEMBLY

QTY	PART NUMBER	DESCRIPTION
8	H100477	WASHER SPLIT 5/16 BLK
8	H100478	WASHER FLAT 8x27 BLK
8	H100659	LAG SCREW HEX 5/16x1-1/2 BLK



A100396
(2) **L BRACKET 51x32x82x3.175**



STEP 44 - FORT ASSEMBLY

QTY	PART NUMBER	DESCRIPTION
8	H100195	BOLT WH 5/16x2-3/4 BLK
8	H100198	WASHER LOCK EXT 8x19 BLK
4	H100379	T-NUT 5/16 BLK

BOTTOM

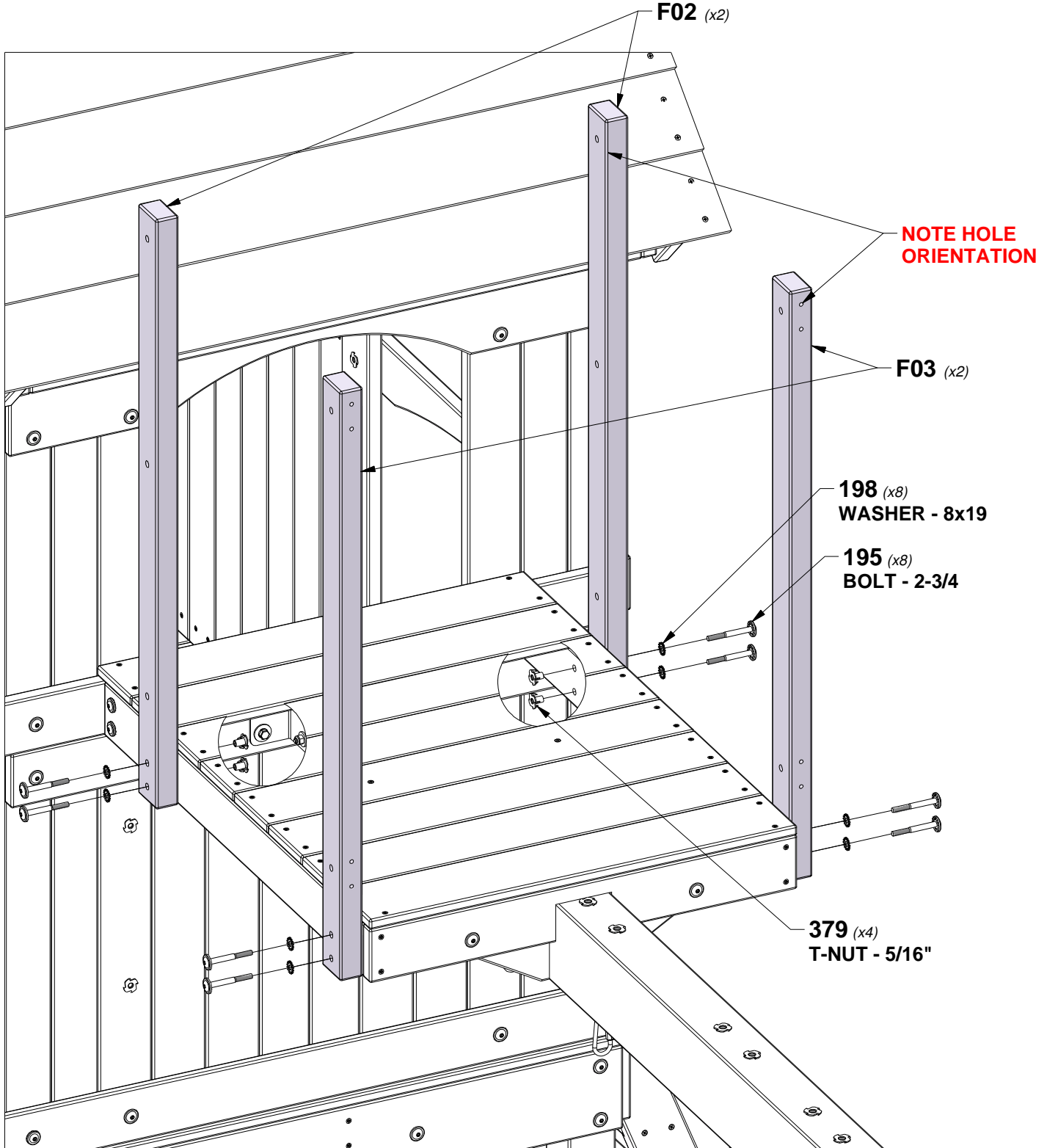


F03 CROWS NEST WALL SUPPORT - W4L15457
(2) 1 3/8"x2 3/8"x37 1/2" (36x60x952)



F02 CROWS NEST WALL SUPPORT - W4L15456
(2) 1 3/8"x2 3/8"x37 1/2" (36x60x952)

TIP:
INSTALL T-NUTS IN WOOD FIRST



STEP 45 - FORT ASSEMBLY



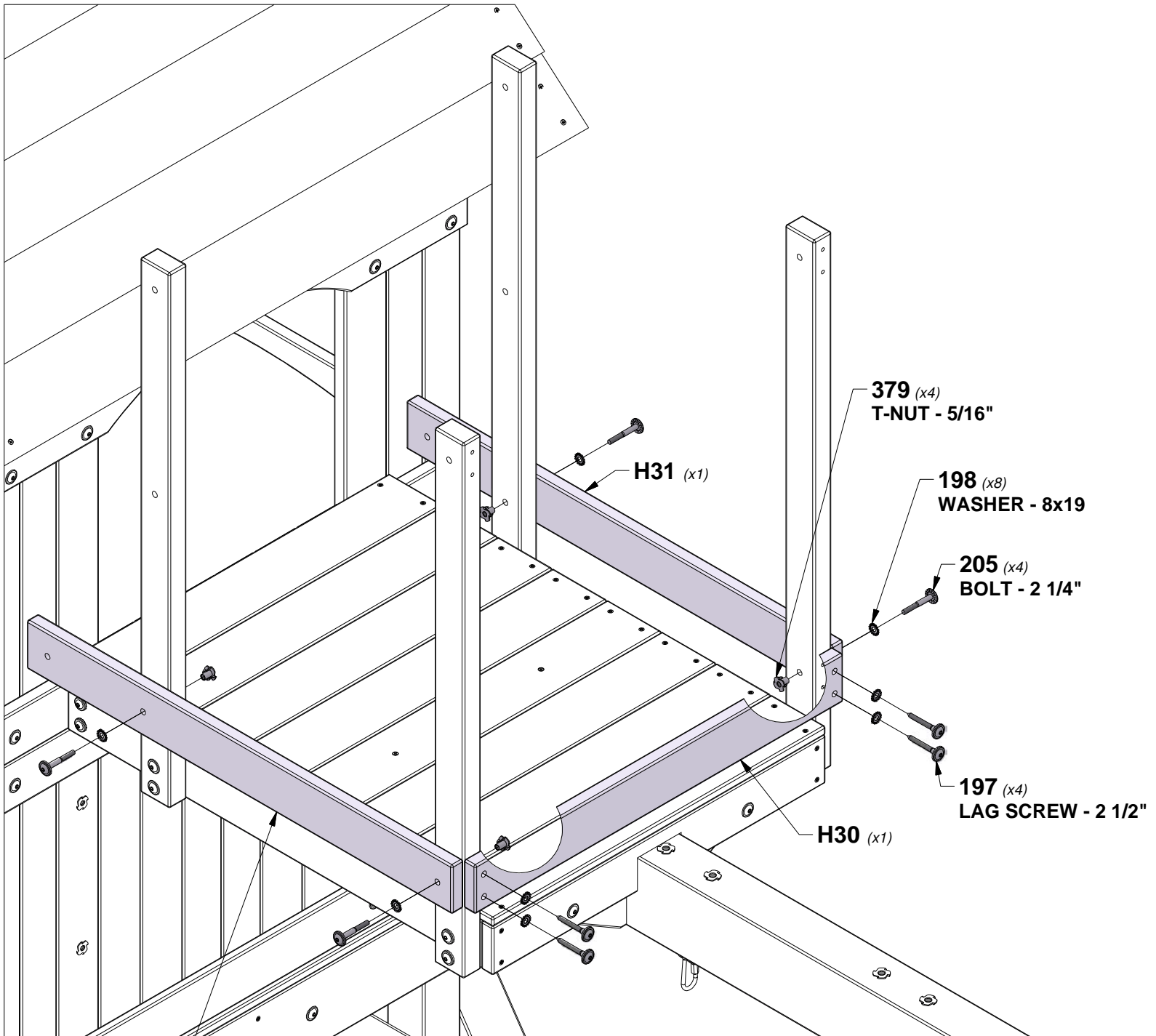
H31 CROWS NEST WALL RAIL - W4L15489
 (2) 1"x3 3/8"x34 1/2" (24x86x876)



H30 CROWS NEST WALL RAIL - W4L15488
 (1) 1"x3 3/8"x29 7/8" (24x86x758)

QTY	PART NUMBER	DESCRIPTION
4	H100197	LAG SCREW WH 5/16x2-1/2 BLK
8	H100198	WASHER LOCK EXT 8x19 BLK
4	H100205	BOLT WH 5/16x2-1/4 BLK
4	H100379	T-NUT 5/16 BLK

TIP:
INSTALL T-NUTS IN WOOD FIRST



H31 (x1)

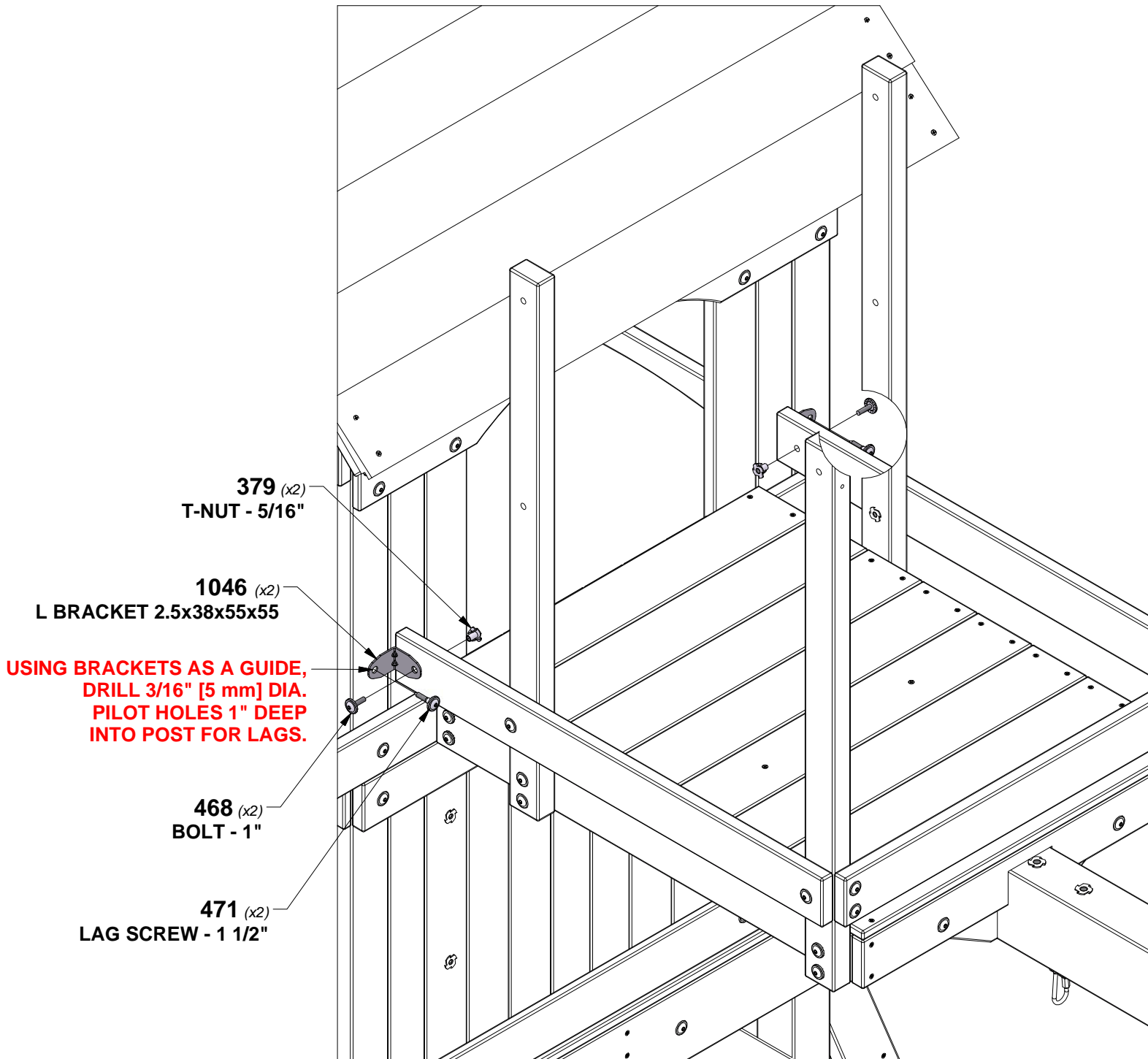
STEP 46 - FORT ASSEMBLY



A4M01046 L BRACKET
(2) 2.5x38x55x55

QTY	PART NUMBER	DESCRIPTION
2	H100379	T-NUT 5/16 BLK
2	H100468	BOLT WH 5/16x1 BLK
2	H100471	LAG SCREW WH 5/16x1-1/2 BLK

TIP:
INSTALL T-NUTS IN WOOD FIRST



STEP 47 - FORT ASSEMBLY



M04 CROWS NEST WALL RAIL - W4L15609
 (2) 5/8"x3 3/8"x29 7/8" (16x86x758)



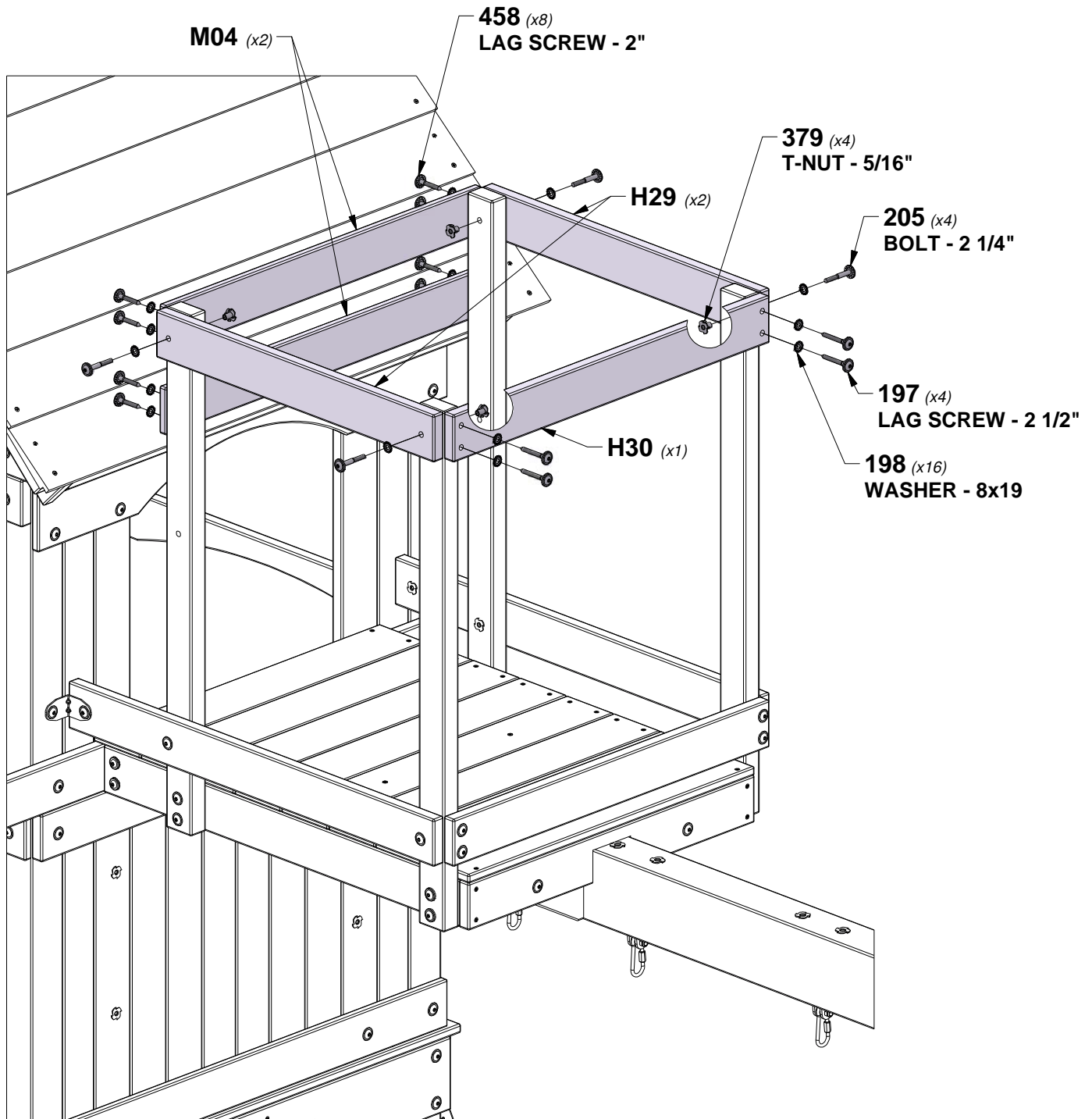
H29 CROWS NEST WALL RAIL - W4L15487
 (2) 1"x3 3/8"x26 1/4" (24x86x666)



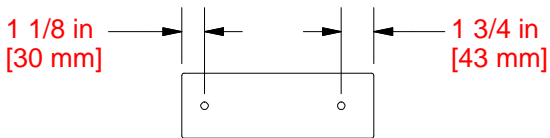
H30 CROWS NEST WALL RAIL - W4L15488
 (1) 1"x3 3/8"x29 7/8" (24x86x758)

QTY	PART NUMBER	DESCRIPTION
4	H100197	LAG SCREW WH 5/16x2-1/2 BLK
16	H100198	WASHER LOCK EXT 8x19 BLK
4	H100205	BOLT WH 5/16x2-1/4 BLK
4	H100379	T-NUT 5/16 BLK
8	H100458	LAG SCREW WH 5/16x2 BLK

TIP:
INSTALL T-NUTS IN WOOD FIRST



STEP 48 - FORT ASSEMBLY



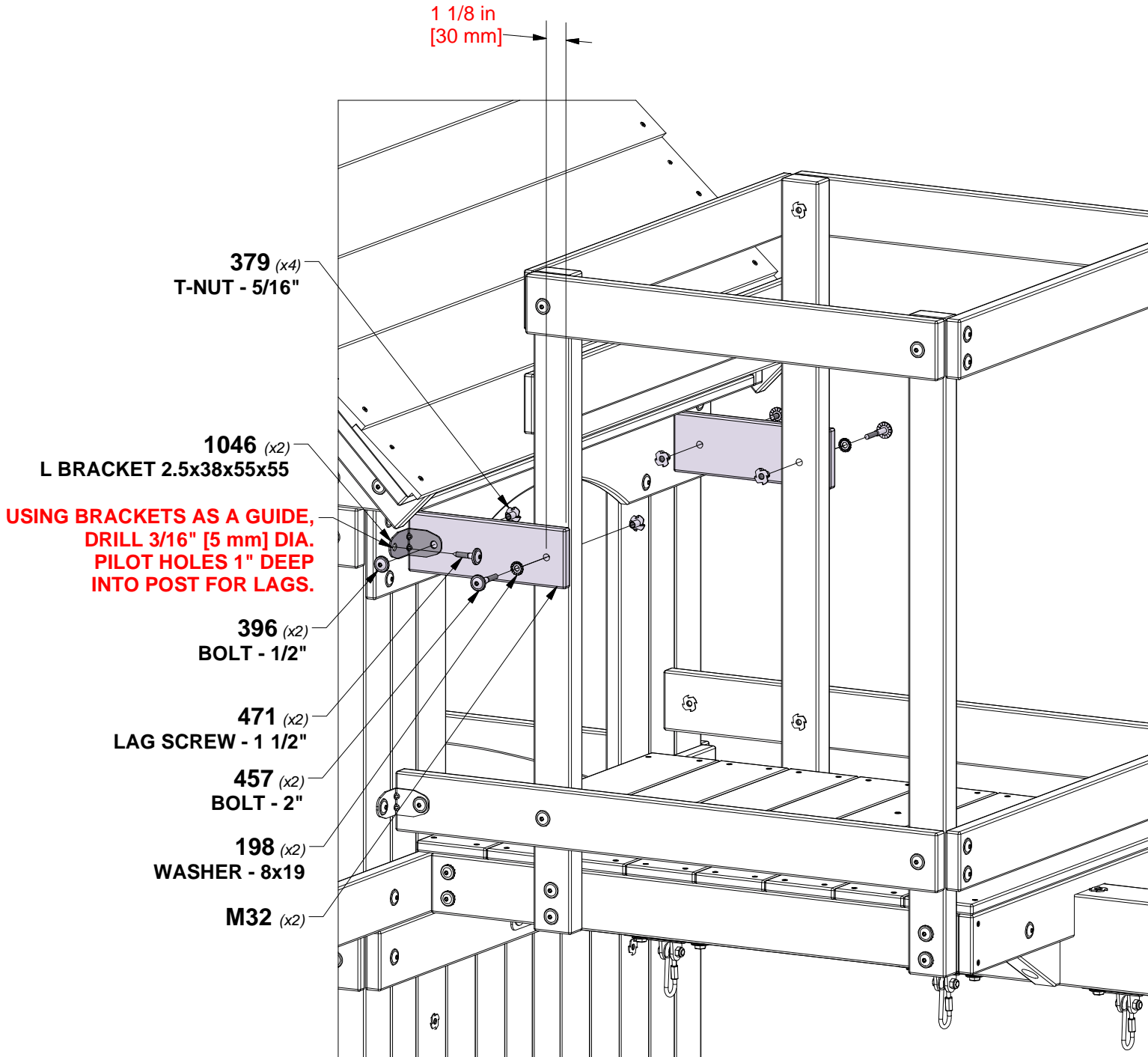
M32 CROWS NEST WALL RAIL - W4L15627
 (2) 5/8"x3 3/8"x10" (16x86x254)



A4M01046 L BRACKET
 (2) 2.5x38x55x55

QTY	PART NUMBER	DESCRIPTION
2	H100198	WASHER LOCK EXT 8x19 BLK
4	H100379	T-NUT 5/16 BLK
2	H100396	BOLT WH 5/16x1/2 BLK
2	H100457	BOLT WH 5/16x2 BLK
2	H100471	LAG SCREW WH 5/16x1-1/2 BLK

TIP:
INSTALL T-NUTS IN WOOD FIRST

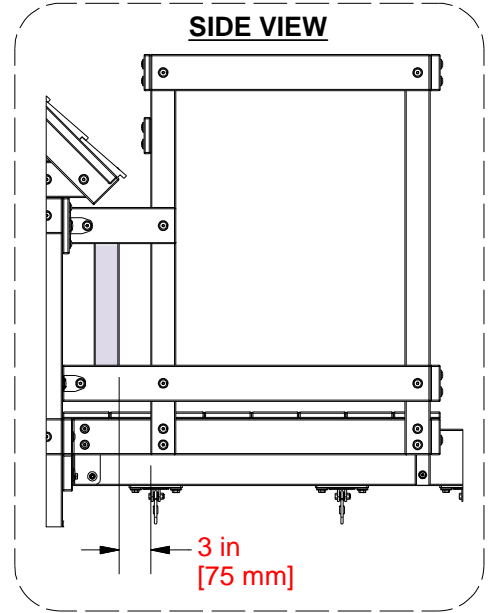


STEP 49 - FORT ASSEMBLY

QTY	PART NUMBER	DESCRIPTION
4	H100088	SCREW PFH 8x1-1/8"

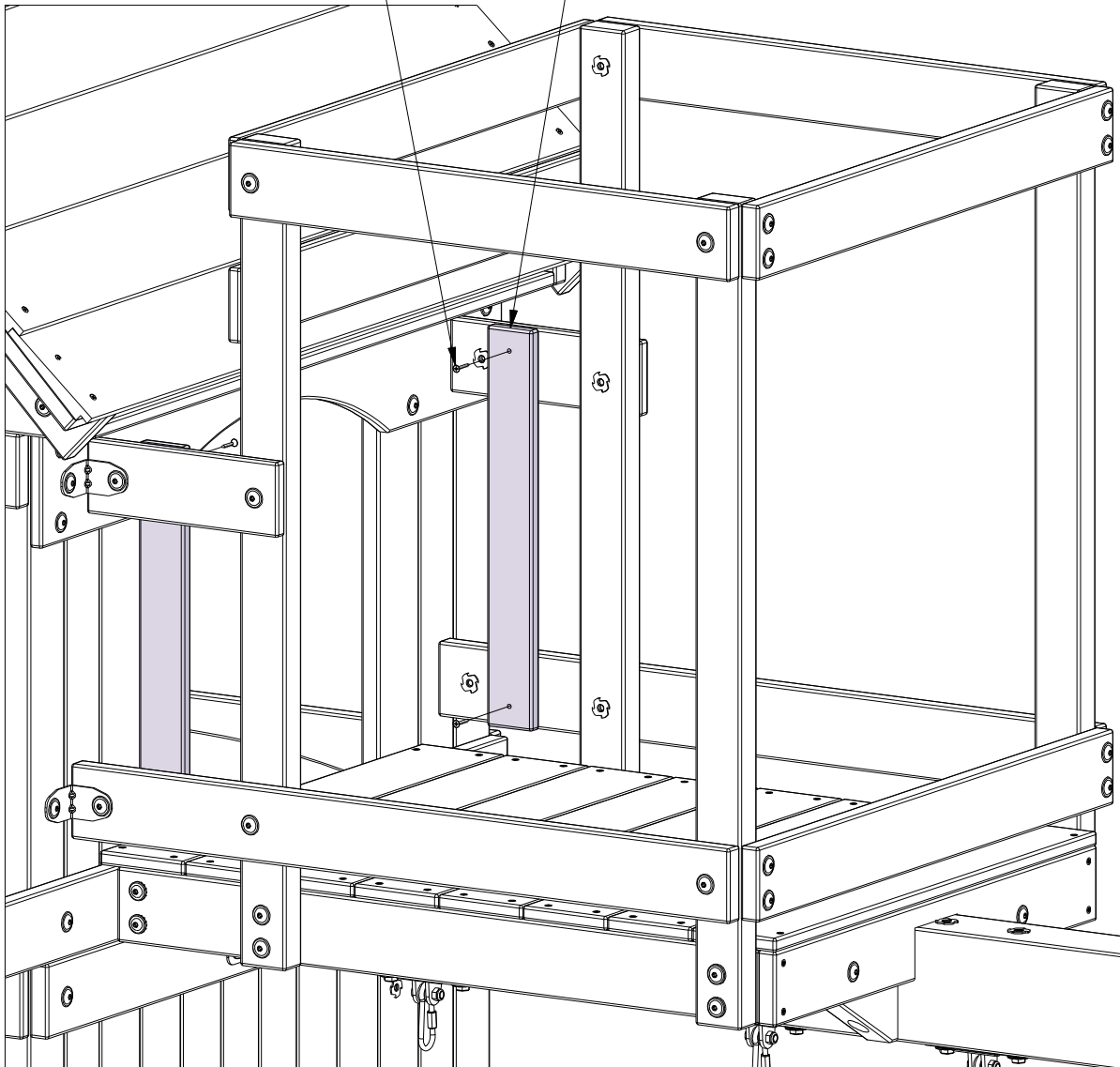


N04 CROWS NEST WALL BOARD - W4L15637
(2) 5/8"x2 3/8"x18 1/8" (16x60x461)



088 (x4)
SCREW - 1 1/8"

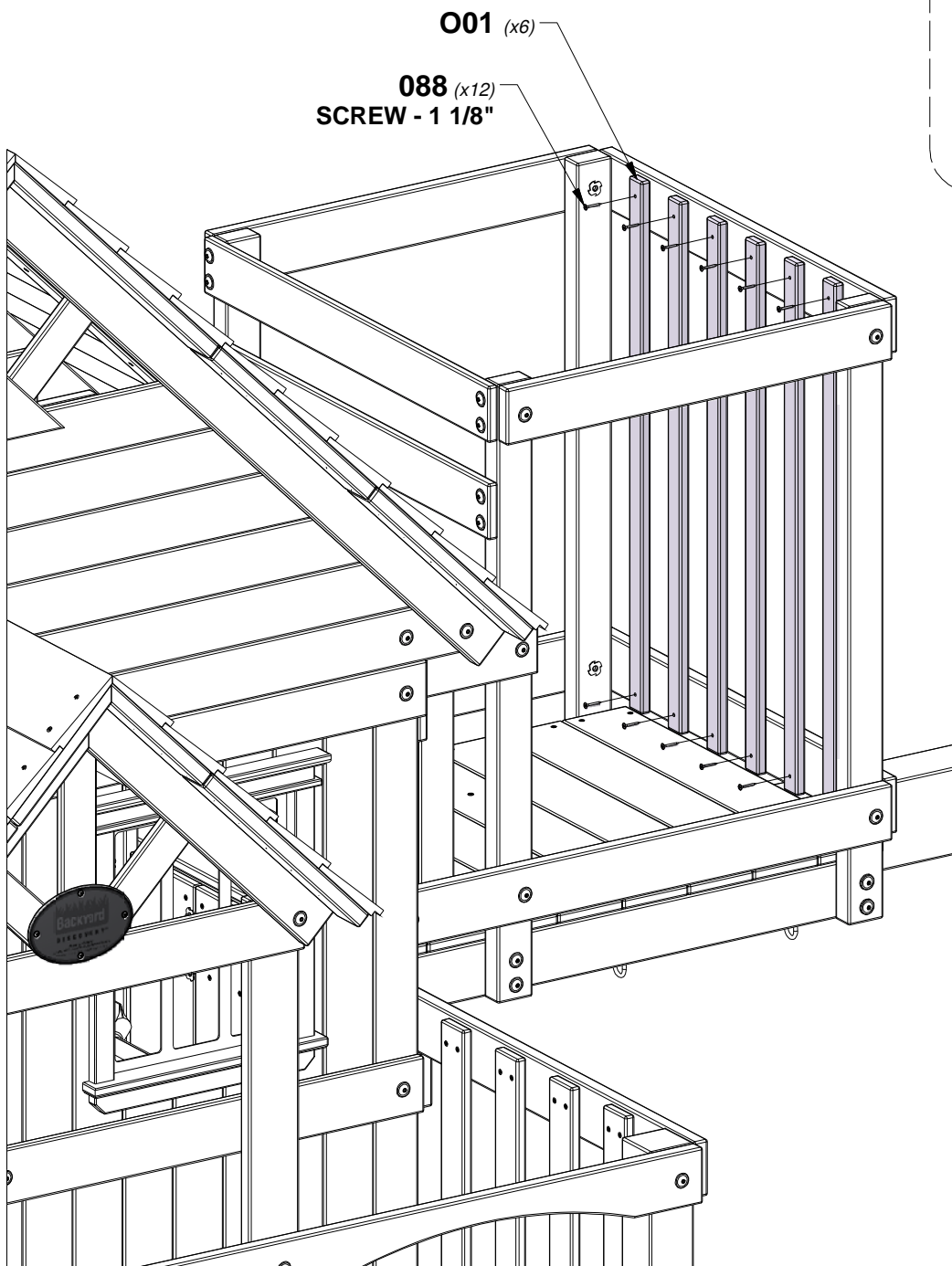
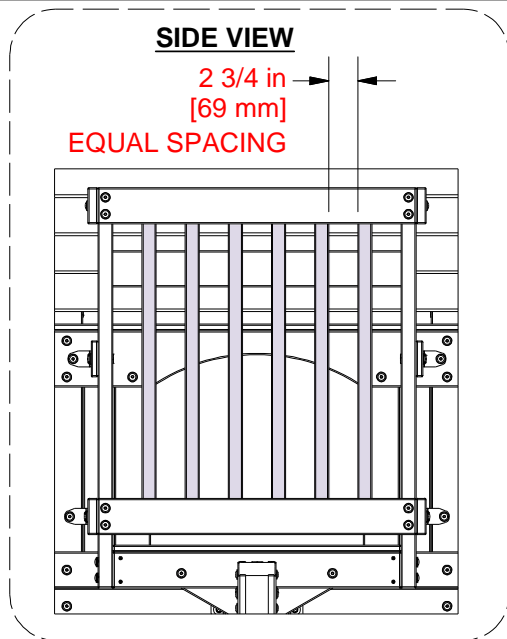
N04 (x2)



STEP 50 - FORT ASSEMBLY

QTY	PART NUMBER	DESCRIPTION
12	H100088	SCREW PFH 8x1-1/8"

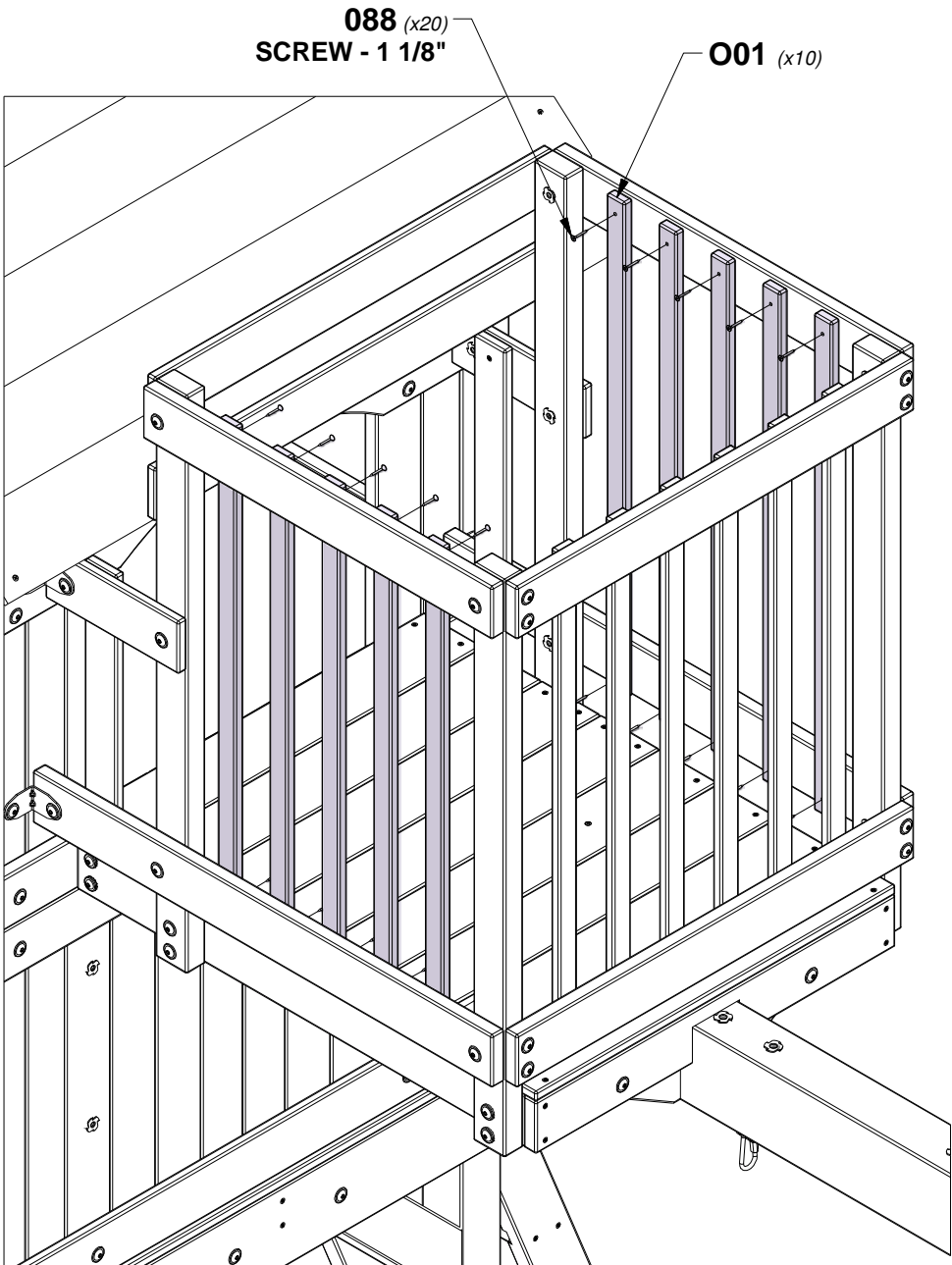
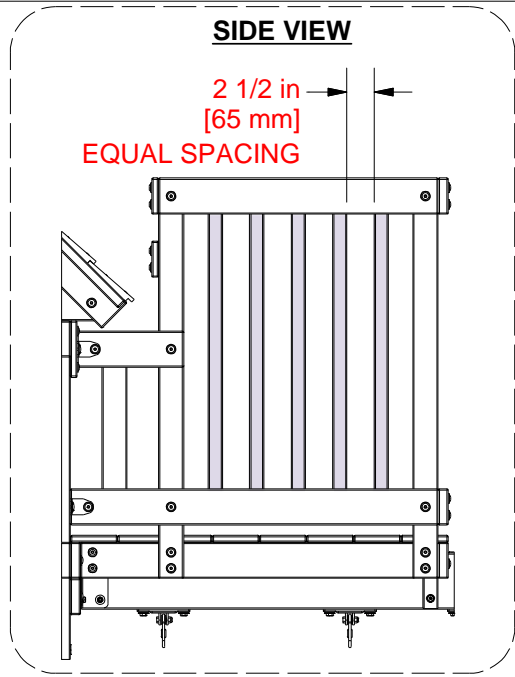
O01 CROWS NEST WALL BOARD - W4L15641
(6) 5/8"x1 3/8"x32 1/4" (16x34x819)



STEP 51 - FORT ASSEMBLY

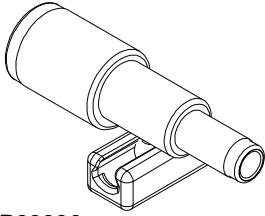
QTY	PART NUMBER	DESCRIPTION
20	H100088	SCREW PFH 8x1-1/8"

001 CROWS NEST WALL BOARD - W4L15641
(10) 5/8"x1 3/8"x32 1/4" (16x34x819)

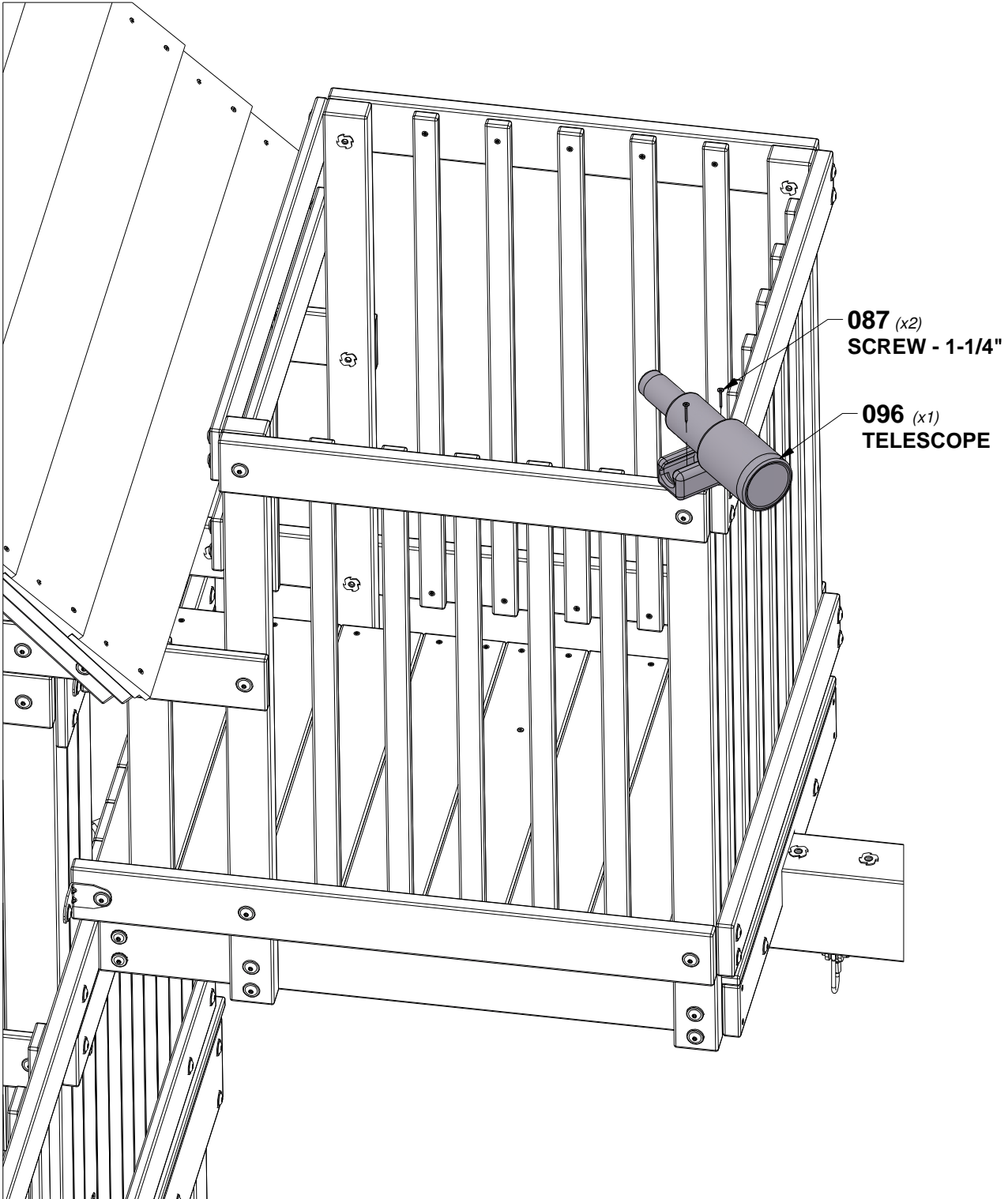


STEP 52 - FORT ASSEMBLY

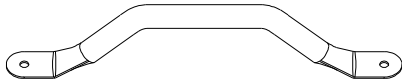
QTY	PART NUMBER	DESCRIPTION
2	H100087	SCREW PFH 8x1-1/4"



A6P00096
(1) TELESCOPE



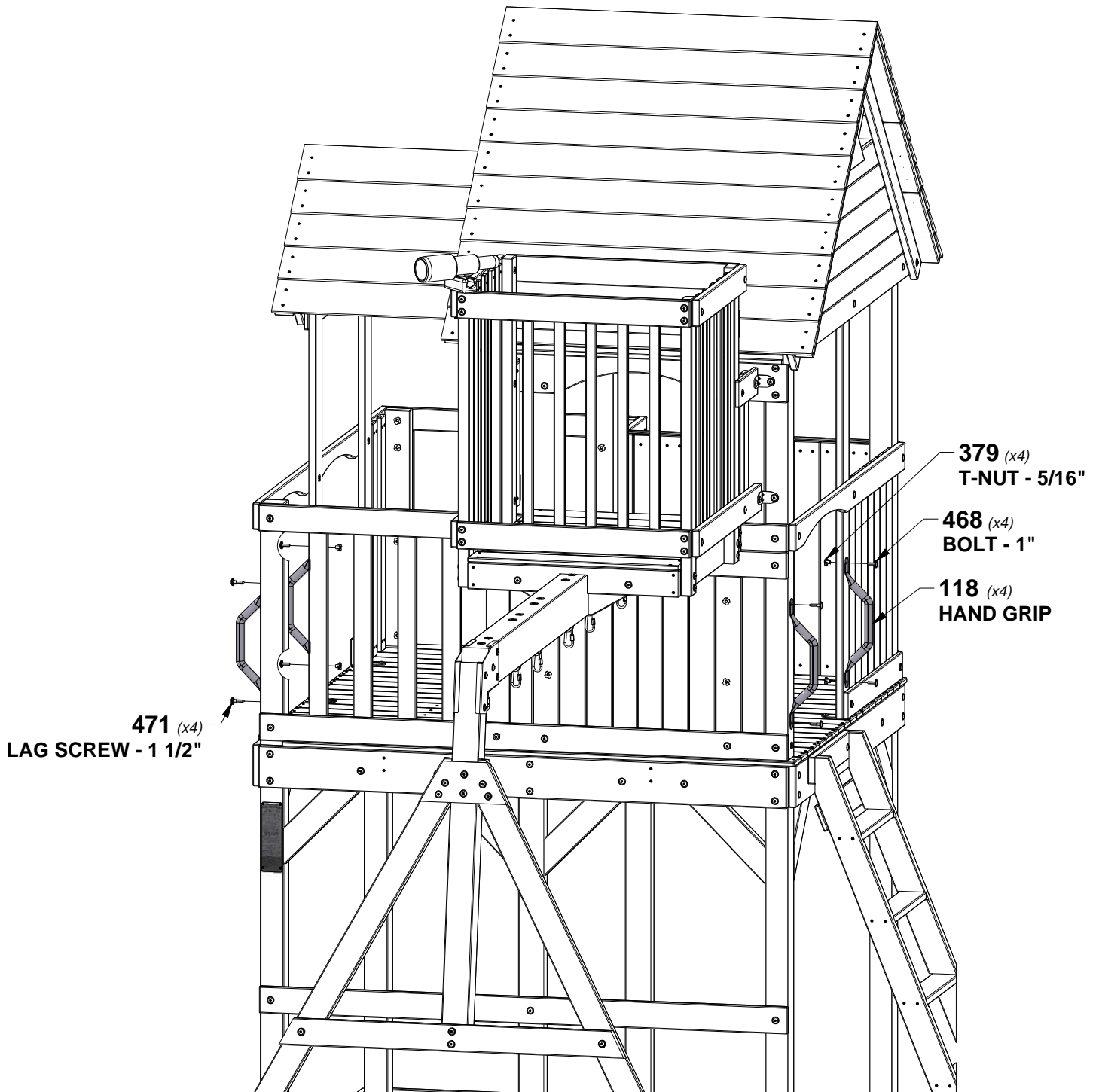
STEP 53 - FORT ASSEMBLY



A100118
(4) **HAND GRIP METAL GREEN 381 c/c**

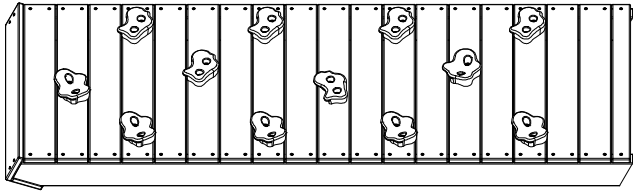
QTY	PART NUMBER	DESCRIPTION
4	H100379	T-NUT 5/16 BLK
4	H100468	BOLT WH 5/16x1 BLK
4	H100471	LAG SCREW WH 5/16x1-1/2 BLK

TIP:
INSTALL T-NUTS IN WOOD FIRST

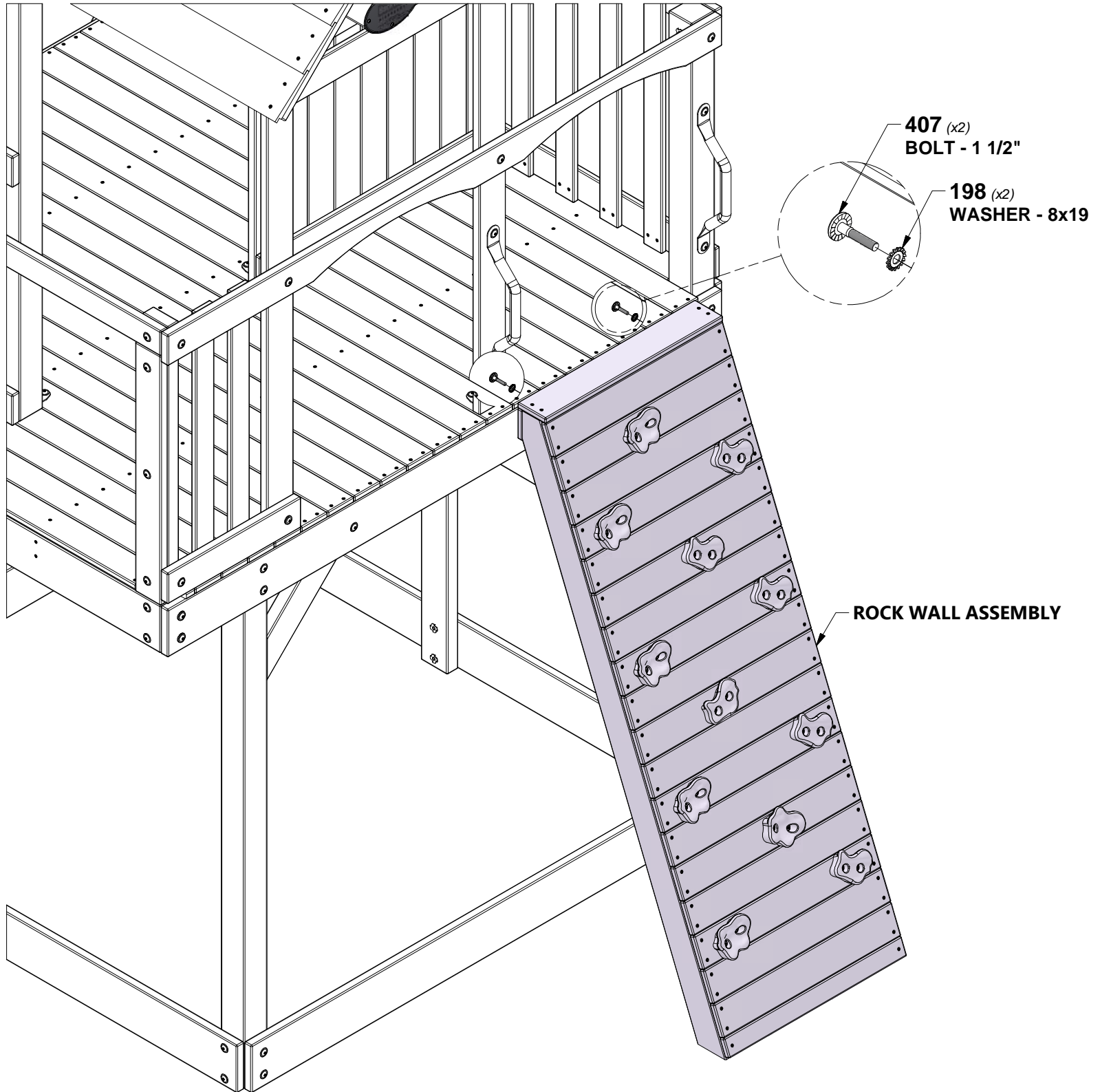


STEP 54 - FORT ASSEMBLY

QTY	PART NUMBER	DESCRIPTION
2	H100198	WASHER LOCK EXT 8x19 BLK
2	H100407	BOLT WH 5/16x1 1/2 BLK

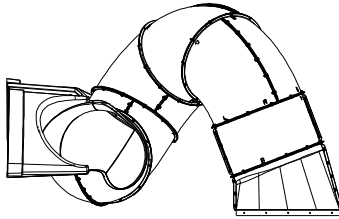


(1) ROCK WALL ASSEMBLY



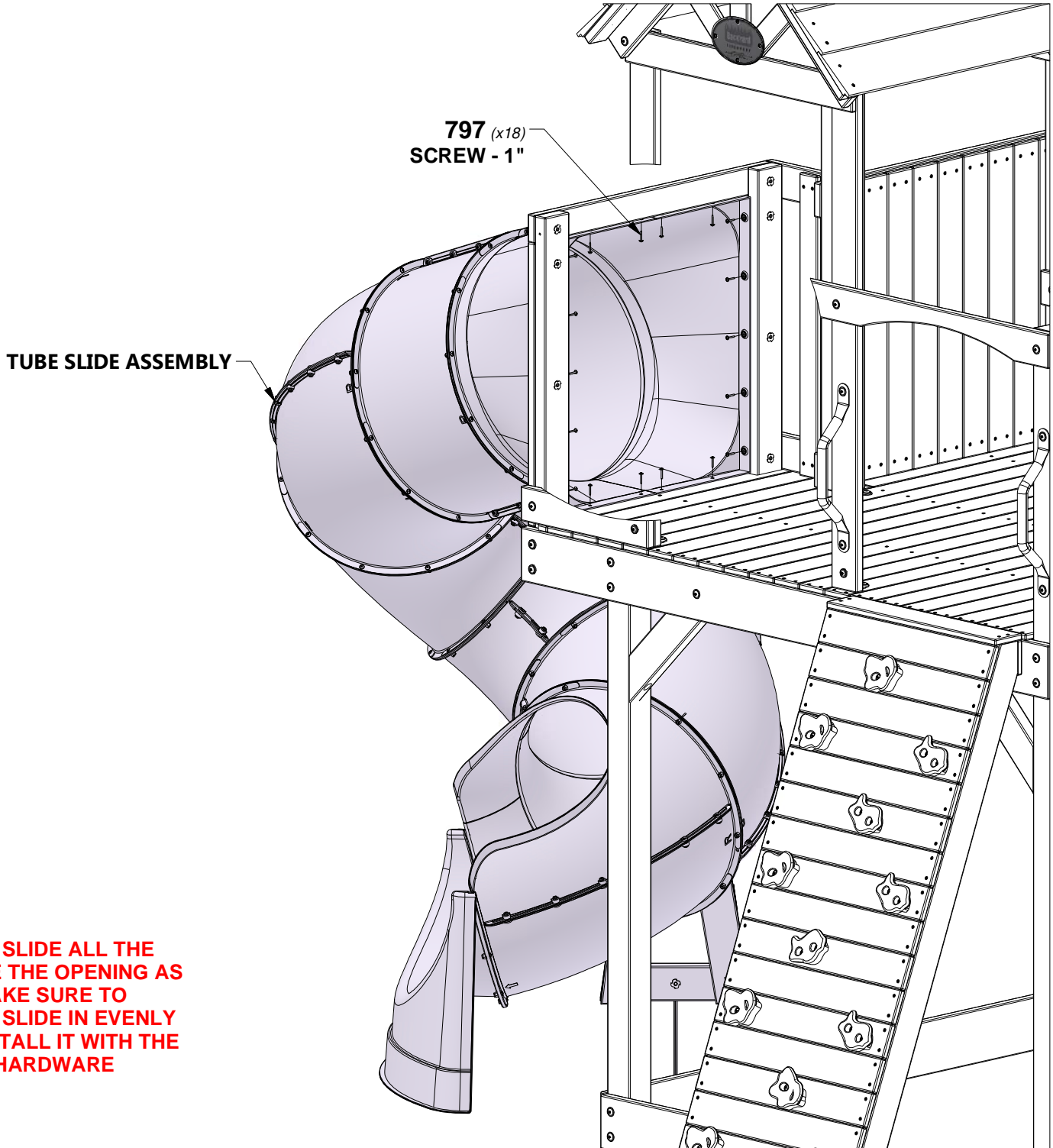
STEP 55 - FORT ASSEMBLY

QTY	PART NUMBER	DESCRIPTION
18	H100797	SCREW PWH 8x1 BLK



(1) TUBE SLIDE ASSEMBLY

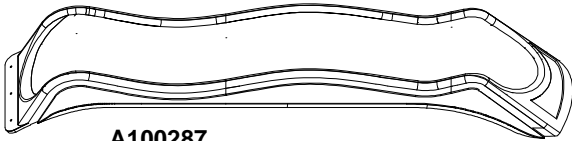
FOR ASSEMBLY OF THE TUBE SLIDE, PLEASE REFER TO THE TUBE SLIDE ASSEMBLY MANUAL FOUND IN THE TUBE SLIDE BOX.



**TIP:
PLACE THE SLIDE ALL THE WAY INSIDE THE OPENING AS SHOWN. MAKE SURE TO PRESS THE SLIDE IN EVENLY AS YOU INSTALL IT WITH THE PROVIDED HARDWARE**

STEP 56 - FORT ASSEMBLY

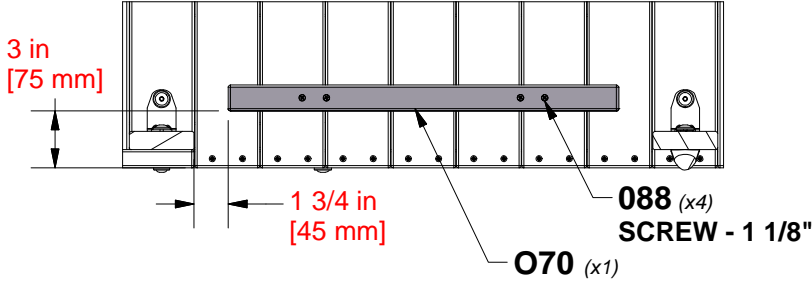
QTY	PART NUMBER	DESCRIPTION
3	H100009	BOLT WH 5/16x1 1/4
3	H100074	T-NUT 5/16
4	H100088	SCREW PFH 8x1-1/8"



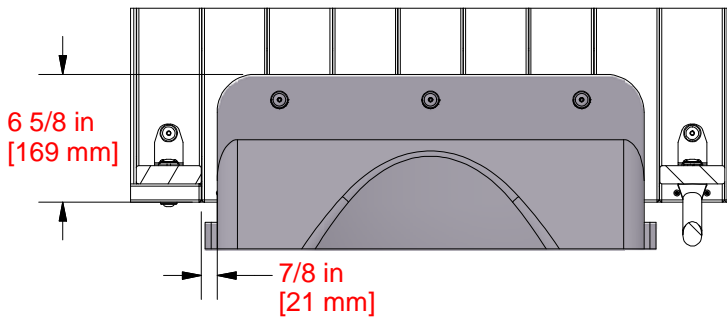
A100287
(1) **SLIDE VF 10 FT**

O70 SLIDE MOUNTING BOARD - W4L09040
(1) 5/8"x1 3/8"x20 3/8" (16x34x517)

TOP VIEW



TOP VIEW

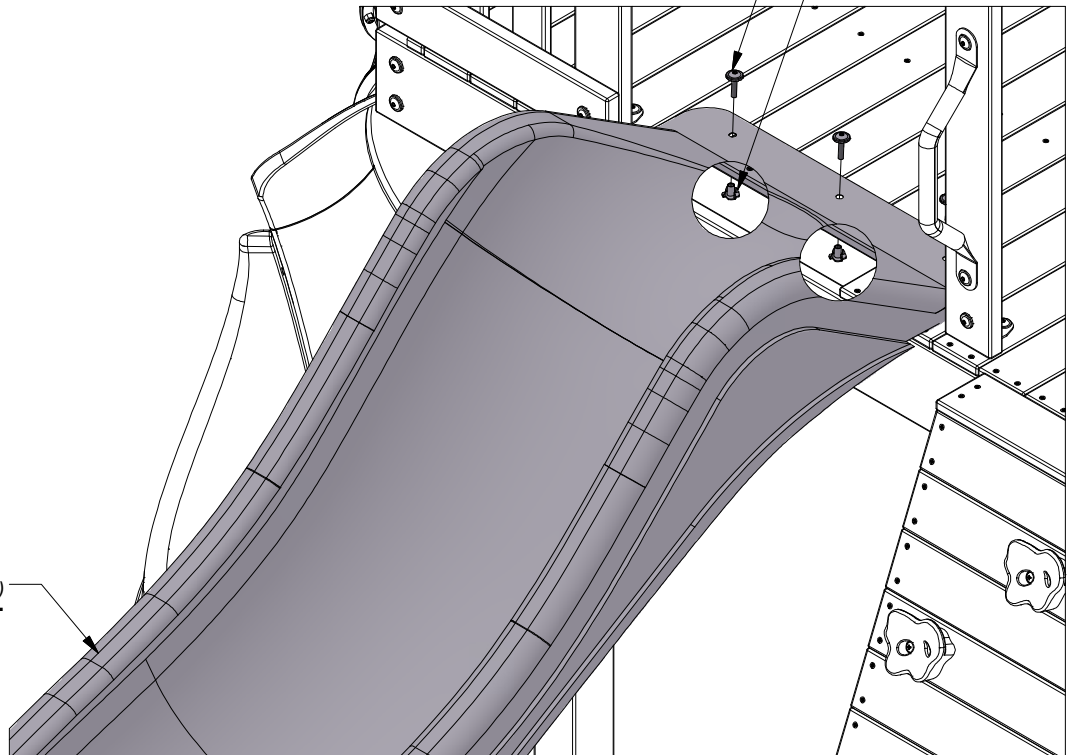


CENTER SLIDE IN OPENING USING DIMENSIONS SHOWN. USING SLIDE AS A TEMPLATE, DRILL (3) 3/8" [10 mm] HOLES THROUGH DECK FOR HARDWARE.

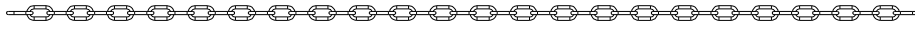
009 (x3)
BOLT - 1 1/4"

074 (x3)
T-NUT - 5/16"

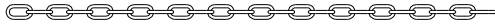
287 (x1)
SLIDE VF 10 FT



STEP 57 - FORT ASSEMBLY



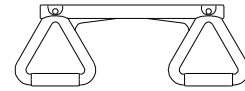
A100047 CHAIN GREEN 57"
(4)



A100177 CHAIN GREEN 31"
(2)



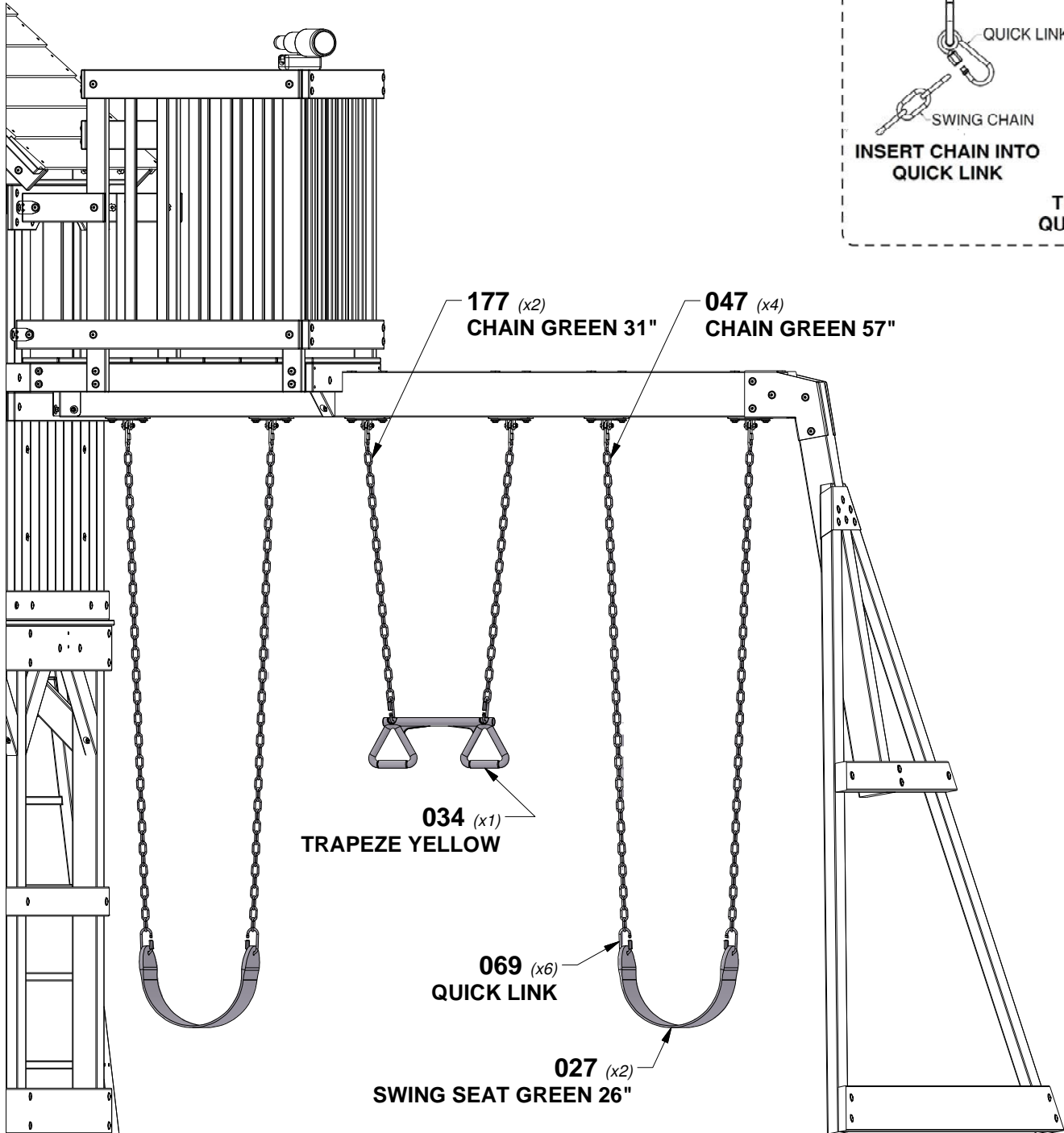
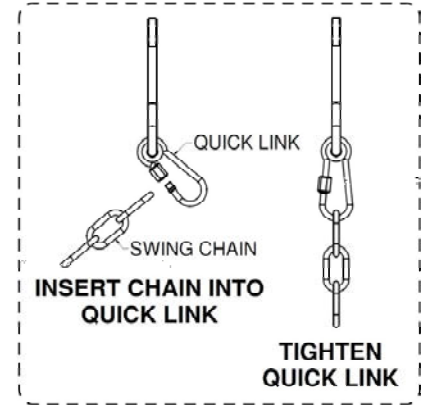
A100027 SWING SEAT GREEN 26"
(2)



A6P00034 TRAPEZE YELLOW
(1)



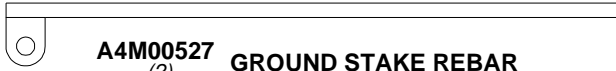
A100069 QUICK LINK
(6)



STEP 58 - FORT ASSEMBLY



A100178
(6) **AUGER GROUND STAKE**



A4M00527
(2) **GROUND STAKE REBAR**

QTY	PART NUMBER	DESCRIPTION
2	H100199	WASHER LOCK EXT 12x19 BLK
6	H100458	LAG SCREW WH 5/16x2 BLK
2	H100459	BOLT WH 5/16x1 1/4 BLK
2	H100469	NUT BARREL WH 5/16x5/8 BLK

