



MANUFACTURED BY:
Backyard Discovery
3305 Airport Drive, Pittsburg, KS 66762
800-856-4445

Basepoint Business Centre: Rivermead Drive, Westlea, Swindon SN5 7EX Phone: 0800-118-2476
J.P. Coenstraat 7, The Bridge, The Hague, 2595 WP, Netherlands Phone: 0800-567-8990

SKYFORT WITH TUBE SLIDE

Swing Set

Model # 2001015

The assembly manual must be retained since it contains important information



WARNING

Adult Assembly Required.

Not suitable for children under 36 months due to small parts.

FOR DOMESTIC USE ONLY. INTENDED FOR OUTDOOR USE.



Please visit www.backyarddiscovery.com

For the most up to date assembly manual, to register your set, or to order replacement parts

Para obtener instrucciones en español, visite www.backyarddiscovery.com



EASY STEP-BY-STEP
3D INTERACTIVE INSTRUCTIONS
DOWNLOAD THE FREE APP



Made in China

INS-2001015-A-SKYFORT WITH TUBE SLIDE-ENG 08-30-23



Place the set on level ground, not less than 6'-7" [2 m] from any structure or obstruction such as a fence, garage, house, overhanging branches, laundry lines, or electrical wires.

- While assembling unit, take time before and after each phase to make sure fort is level. If fort is not level, assembly will be difficult and improper assembly may result. Extra care must be taken to insure the fort is square.
- The safe play area refers to a zone extending 6'-7" (2m) beyond the play product on all sides, including the space above the play product.

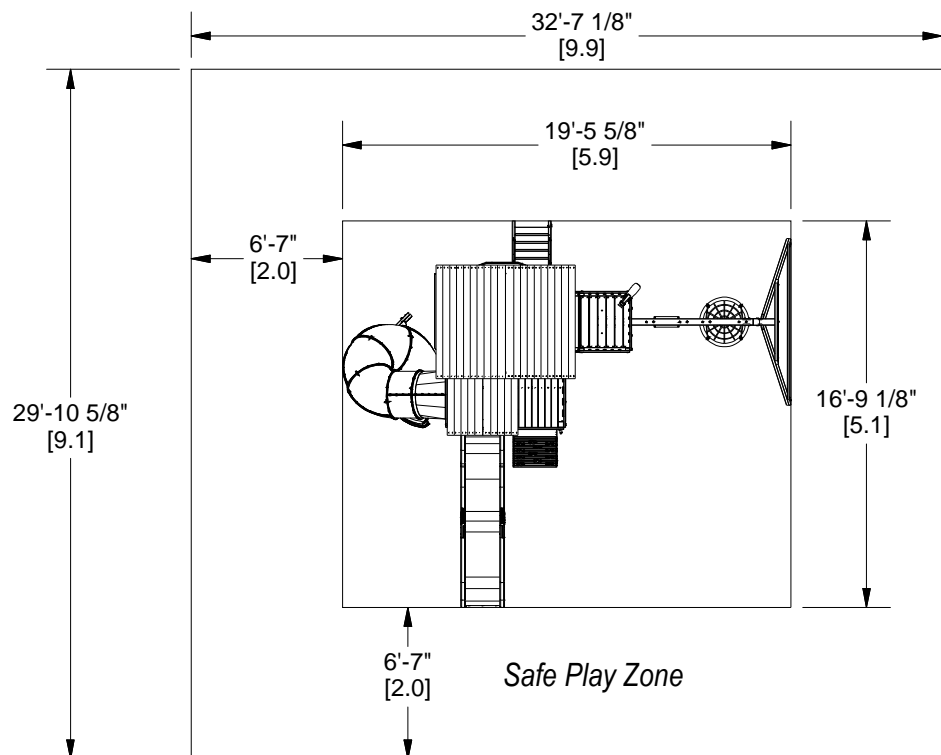
SAFE PLAY AREA DIAGRAM

Ground Dimension

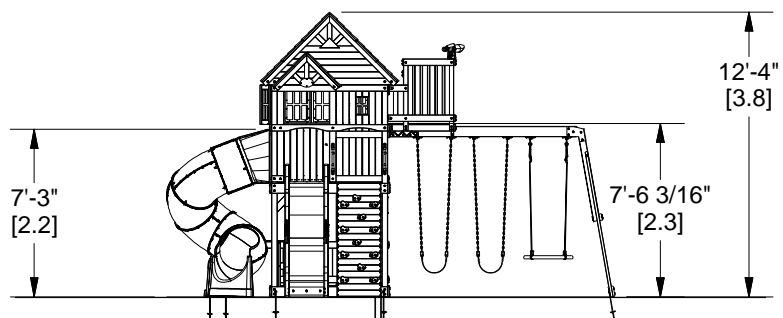
EXAMPLE: 16' - 6 1/4" (5m) x 7' - 5 1/4" (2.3m) x 7' - 10" (2.4m)

Safe Play Area

EXAMPLE: 28' - 4 3/4" x 19' - 5 1/4"



Safe play height: 18'-11" [5.8 m]
Maximum fall height: 7'-6 3/16" [2.3 m]



General Information:

Your set has been designed and engineered for children only and for residential use only.
 A maximum of 150 lbs. per child is recommended for play activities designed for individual use.
 A maximum of 120 lbs. per child is recommended for play activities designed for multiple child use.
 A maximum of 9 children is recommended for this swing set.



Wood Components (Not to Scale)



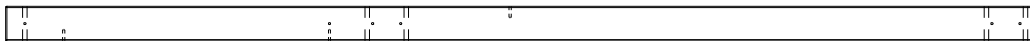
A1 | SWING BEAM - W4L12789
(1) | 3 3/8"x5 1/4"x89 1/2" (86x134x2274)



A2 | SB 9" BLOCK - W4L12790
(1) | 3 3/8"x5 1/4"x9" (86x134x228)



B1 | TOWER LEG - W4L12680
(1) | 3"x3"x89 1/2" (76x76x2274)



B2 | TOWER LEG - W4L12681
(1) | 3"x3"x89 1/2" (76x76x2274)



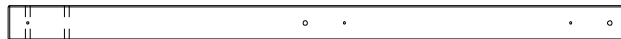
B3 | TOWER LEG - W4L12682
(1) | 3"x3"x59" (76x76x1500)



B4 | TOWER LEG - W4L12683
(1) | 3"x3"x59" (76x76x1500)



B5 | BACK LEFT FORT CORNER - W4L12684
(1) | 3"x3"x53 7/8" (76x76x1370)



B6 | FRONT LEFT FORT CORNER - W4L12685
(1) | 3"x3"x53 7/8" (76x76x1370)



B7 | FRONT RIGHT FORT CORNER - W4L12686
(1) | 3"x3"x53 7/8" (76x76x1370)



B8 | BACK RIGHT FORT CORNER - W4L12687
(1) | 3"x3"x53 7/8" (76x76x1370)



E1 | TOWER LEG - W4L12688
(1) | 1 3/8"x3 3/8"x59" (36x86x1500)



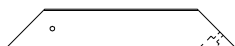
E2 | TOWER LEG - W4L12689
(1) | 1 3/8"x3 3/8"x59" (36x86x1500)



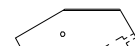
E3 | CROWS NEST FLOOR RAIL - W4L12690
(2) | 1 3/8"x3 3/8"x33 1/2" (36x86x852)



E4 | ANGLE BRACE - W4L13302
(2) | 1 3/8"x3 3/8"x87 1/8" (36x86x2212)



E5 | DECK BRACE - W4L12692
(8) | 1 7/16"x3 3/8"x20" (36x86x508)



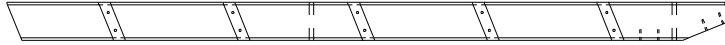
E6 | CROWS NEST DECK BRACE - W4L12691
(2) | 1 7/16"x3 3/8"x10 7/8" (36x86x276)



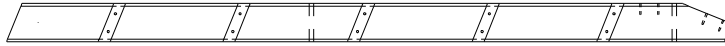
Wood Components (Not to Scale)



E50 | END SUPPORT - W4L08131
(1) | 1 3/8"x3 3/8"x44 1/8" (36x86x1120)



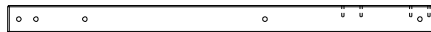
E77 | LEFT UPRIGHT - W4L12693
(1) | 1 3/8"x3 3/8"x64 3/8" (36x86x1634)



E78 | RIGHT UPRIGHT - W4L12694
(1) | 1 3/8"x3 3/8"x64 3/8" (36x86x1634)



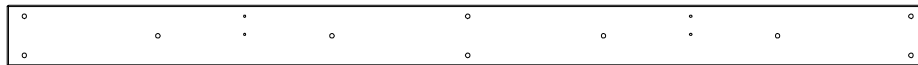
F1 | TELESCOPE MOUNTING BLOCK - W4L12695
(1) | 1 3/8"x2 3/8"x3" (36x60x76)



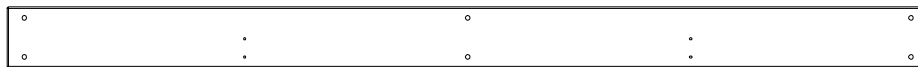
F2 | CROWS NEST WALL SUPPORT - W4L12696
(2) | 1 3/8"x2 3/8"x37 1/2" (36x60x952)



F3 | CROWS NEST WALL SUPPORT - W4L12697
(2) | 1 3/8"x2 3/8"x37 1/2" (36x60x952)



G1 | TOP FLOOR RAIL - W4L12698
(1) | 1"x5 1/4"x80" (24x134x2032)



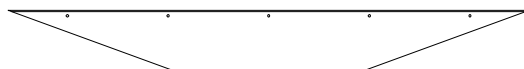
G2 | TOP FLOOR RAIL - W4L12699
(1) | 1"x5 1/4"x80" (24x134x2032)



G3 | FLOOR RAIL - W4L12700
(1) | 1"x5 1/4"x60 1/2" (24x134x1537)



G4 | FLOOR RAIL - W4L12701
(1) | 1"x5 1/4"x60 1/2" (24x134x1537)



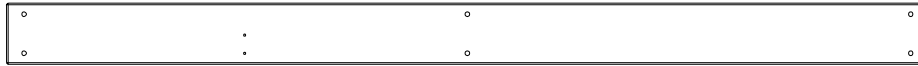
G5 | BAY WINDOW HEADER - W4L12702
(4) | 1"x5 1/4"x45 1/4" (24x134x1150)



G6 | FLOOR RAIL - W4L12703
(1) | 1"x5 1/4"x60 1/2" (24x134x1537)



Wood Components (Not to Scale)



G7 | **BOTTOM FLOOR RAIL - W4L12704**
(2) | 1"x5 1/4"x80" (24x134x2032)



G8 | **GROUND BOARD - W4L08134**
(1) | 1"x5 1/4"x86 3/4" (24x134x2202)



H1 | **WALL RAIL - W4L12706**
(1) | 1"x3 3/8"x80" (24x86x2032)



H2 | **WALL RAIL - W4L12707**
(1) | 1"x3 3/8"x80" (24x86x2032)



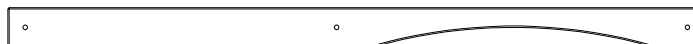
H3 | **PICNIC TABLE RAIL - W4L12708**
(1) | 1"x3 3/8"x67 1/4" (24x86x1708)



H4 | **ROOF SUPPORT RAIL - W4L12709**
(2) | 1"x3 3/8"x67 1/4" (24x86x1709)



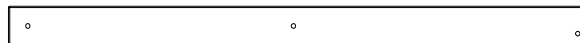
H5 | **FLOOR RAIL - W4L12710**
(1) | 1"x3 3/8"x60 1/2" (24x86x1537)



H6 | **BACK FORT RAIL - W4L12711**
(1) | 1"x3 3/8"x60 1/2" (24x86x1537)



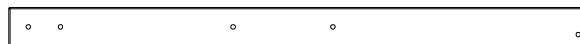
H7 | **FRONT FORT WALL RAIL - W4L12712**
(1) | 1"x3 3/8"x60 1/2" (24x86x1537)



H8 | **FORT UPRIGHT - W4L12713**
(1) | 1"x3 3/8"x50 1/2" (24x86x1284)



H9 | **FORT WALL BOARD - W4L12714**
(2) | 1"x3 3/8"x50 1/2" (24x86x1284)



H10 | **PORCH LEG - W4L12715**
(1) | 1"x3 3/8"x50 1/2" (24x86x1282)



H11 | **PORCH LEG - W4L12716**
(1) | 1"x3 3/8"x50 1/2" (24x86x1282)



Wood Components (Not to Scale)



H12 | ROOF RAFTER - W4L12717
(4) | 1"x3 3/8"x50 3/8" (24x86x1278)



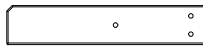
H13 | FORT WALL RAIL - W4L12718
(1) | 1"x3 3/8"x50 1/4" (24x86x1277)



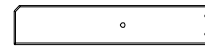
H14 | SWING BEAM MOUNT - W4L12719
(1) | 1"x3 3/8"x50 1/4" (24x86x1277)



H15 | PICNIC TABLE SEAT - W4L12720
(2) | 1"x3 3/8"x35 3/8" (24x86x897)



H16 | PICNIC TABLE SEAT RAIL - W4L12721
(1) | 1"x3 3/8"x17 1/2" (24x86x444)



H17 | PICNIC TABLE SEAT RAIL - W4L12722
(1) | 1"x3 3/8"x17 1/2" (24x86x444)



H18 | FORT WALL RAIL - W4L12723
(1) | 1"x3 3/8"x29 7/8" (24x86x758)



H19 | CROWS NEST FLOOR RAIL - W4L12724
(1) | 1"x3 3/8"x27" (24x86x686)



H20 | PORCH ROOF RAFTER - W4L12725
(4) | 1"x3 3/8"x24 1/2" (24x86x622)



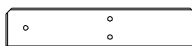
H21 | CROWS NEST FLOOR SUPPORT - W4L12726
(1) | 1"x3 3/8"x24 1/8" (24x86x614)



H22 | SLIDE ATTACHMENT BOARD - W4L12781
(1) | 1"x3"x23" (24x76x585)



H23 | FORT WALL RAIL - W4L12752
(1) | 1"x3 3/8"x50 1/4" (24x86x1277)



H24 | PICNIC TABLE TOP SUPPORT - W4L12727
(1) | 1"x3 3/8"x16 1/2" (24x86x418)



H25 | TOP FLOOR SUPPORT - W4L12728
(2) | 1"x3 3/8"x3" (24x86x76)



H26 | FLOOR JOIST - W4L12729
(3) | 1"x3 3/8"x60 1/2" (24x86x1537)



Wood Components (Not to Scale)



H27 | PICNIC TABLE SUPPORT - W4L12730
(1) | 1"x3 3/8"x28 5/8" (24x86x728)



H28 | FRONT WALL RAIL - W4L12731
(1) | 1"x3 3/8"x60 1/2" (24x86x1537)



H29 | CROWS NEST WALL RAIL - W4L12732
(2) | 1"x3 3/8"x26 1/4" (24x86x666)



H30 | CROWS NEST WALL RAIL - W4L12733
(2) | 1"x3 3/8"x29 7/8" (24x86x758)



H31 | CROWS NEST WALL RAIL - W4L12734
(2) | 1"x3 3/8"x34 1/2" (24x86x876)



H72 | ROCKWALL RAIL - W4L12735
(2) | 1"x3 3/8"x61 3/4" (24x86x1570)



H76 | LADDER RUNG - W4L12736
(5) | 1"x3 3/8"x18 1/8" (24x86x460)



H77 | ATTACHMENT BOARD - W4L12737
(1) | 1"x3 3/8"x20 1/8" (24x86x512)



H80 | SLIDE BRACE WIDE - W4L15715
(1) | 1"x3 3/8"x18 3/8" (24x86x466)



H81 | SLIDE BRACE UPRIGHT - W4L13301
(2) | 1"x3 3/8"x22 7/8" (24x86x580)



K2 | FLOOR RAIL - W4L12738
(1) | 5/8"x5 1/4"x60 1/2" (16x134x1537)



K3 | FLOOR RAIL - W4L12739
(1) | 5/8"x5 1/4"x60 1/2" (16x134x1537)



K5 | FORT WALL RAIL - W4L12740
(1) | 5/8"x5 1/4"x50 1/4" (16x134x1277)



K6 | TRIANGLE SUNBURST - W4L12741
(2) | 5/8"x5 1/4"x10 3/8" (16x134x265)



L1 | CROWS NEST FLOOR BOARD - W4L12742
(6) | 5/8"x4 3/8"x27" (16x112x686)



L2 | CROWS NEST FLOOR BOARD - W4L12705
(2) | 5/8"x4 3/8"x27" (16x112x686)



Wood Components (Not to Scale)



M1 | TOP WALL RAIL - W4L12743
(1) | 5/8"x3 3/8"x80" (16x86x2032)



M2 | BOTTOM WALL RAIL - W4L12744
(2) | 5/8"x3 3/8"x80" (16x86x2032)



M3 | BOTTOM WALL RAIL - W4L12745
(1) | 5/8"x3 3/8"x60 1/2" (16x86x1537)



M4 | CROWS NEST WALL RAIL - W4L12746
(2) | 5/8"x3 3/8"x29 7/8" (16x86x758)



M5 | GABLE BOARD - W4L12747
(2) | 5/8"x3 3/8"x59 1/2" (16x86x1510)



M6 | FORT WALL BOARD - W4L12748
(1) | 5/8"x3 3/8"x53 7/8" (16x86x1370)



M7 | GABLE BOARD - W4L12749
(2) | 5/8"x3 3/8"x52 5/8" (16x86x1338)



M8 | FORT WALL BOARD - W4L12750
(7) | 5/8"x3 3/8"x50 1/2" (16x86x1284)



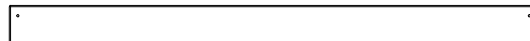
M9 | FORT WALL BOARD - W4L12751
(2) | 5/8"x3"x50 1/2" (16x76x1284)



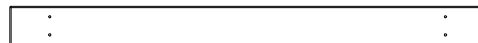
M10 | PICNIC TABLE TOP - W4L12793
(1) | 5/8"x3 3/8"x41 1/4" (16x86x1049)



M11 | SOFFIT CAP - W4L12753
(1) | 5/8"x3 3/8"x50 1/4" (16x86x1277)



M12 | GABLE BOARD - W4L12754
(2) | 5/8"x3 3/8"x45 7/8" (16x86x1166)



M13 | PICNIC TABLE TOP - W4L12755
(3) | 5/8"x3 3/8"x41 1/4" (16x86x1049)



M14 | GABLE BOARD - W4L12756
(2) | 5/8"x3 3/8"x39 1/8" (16x86x994)



Wood Components (Not to Scale)



M16 | CENTER PICNIC TABLE TOP - W4L12757
(1) 5/8"x3"x38 1/4" (16x76x973)



M17 | FRONT WINDOW WALL BOARD - W4L12758
(2) 5/8"x3 3/8"x35" (16x86x889)



M18 | GABLE BOARD - W4L12759
(2) 5/8"x3 3/8"x32 3/8" (16x86x822)



M19 | FRONT PORCH ROOF SUPPORT - W4L12760
(1) 5/8"x3 3/8"x30 5/8" (16x86x779)



M21 | FORT WALL RAIL - W4L12761
(3) 5/8"x3 3/8"x30 1/4" (16x86x768)



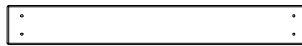
M22 | FORT WALL BOARD - W4L12762
(4) 5/8"x3 3/8"x29 7/8" (16x86x758)



M23 | FORT WALL BOARD - W4L12763
(2) 5/8"x3 1/8"x29 7/8" (16x80x758)



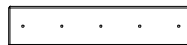
M24 | WALL BOARD - W4L12764
(23) 5/8"x3 3/8"x29 7/8" (16x86x758)



M26 | WALL BOARD - W4L12765
(2) 5/8"x3 3/8"x26 1/8" (16x86x664)



M27 | BOTTOM WALL BOARD - W4L12766
(18) 5/8"x3 3/8"x21 3/8" (16x86x544)



M30 | PICNIC TABLE TOP CLEAT - W4L12767
(1) 5/8"x3 3/8"x16" (16x86x406)



M32 | CROWS NEST WALL RAIL - W4L12768
(2) 5/8"x3 3/8"x10" (16x86x254)



Wood Components (Not to Scale)



M33 | FRONT WINDOW WALL BOARD - W4L12769
(2) | 5/8"x3 3/8"x6 3/8" (16x86x162)



M34 | WALL RAIL - W4L12770
(1) | 5/8"x3 3/8"x6 3/8" (16x86x162)



M61 | ATTACHMENT BOARD - W4L12771
(1) | 5/8"x3 3/8"x22 7/8" (16x86x580)



M70 | SLIDE BED SUPPORT - W100935
(1) | 5/8"x3 3/8"x19 7/8" (16x86x505)



M73 | REAR SUPPORT - W4L12772
(1) | 5/8"x3 3/8"x20 1/8" (16x86x512)



M74 | ROCK WALL BOARD - W4L12773
(10) | 5/8"x3 3/8"x22 7/8" (16x86x580)



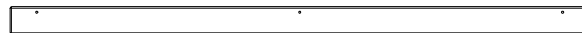
M75 | ROCK WALL BOARD - W4L12774
(4) | 5/8"x3 3/8"x22 7/8" (16x86x580)



M76 | ROCK WALL BOARD - W4L12775
(4) | 5/8"x3 3/8"x22 7/8" (16x86x580)



N1 | FORT WALL BOARD - W4L12776
(2) | 5/8"x2 3/8"x50 1/2" (16x60x1284)



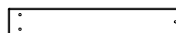
N2 | SOFFIT CAP - W4L12777
(1) | 5/8"x2 3/8"x50 1/4" (16x60x1277)



N3 | ROOF SUPPORT - W4L12778
(2) | 5/8"x2 3/8"x47" (16x60x1193)



N4 | CROWS NEST WALL BOARD - W4L12779
(2) | 5/8"x2 3/8"x19" (16x60x483)



N5 | FRONT PORCH GABLE TRIM - W4L12780
(3) | 5/8"x2 3/8"x15" (16x60x381)



Wood Components (Not to Scale)



N8 | FRONT PORCH GABLE TRIM - W4L12782
(6) 5/8"x2 3/8"x9 1/2" (16x60x241)



O1 | CROWS NEST WALL BOARD - W4L12783
(16) 5/8"x1 3/8"x32 1/2" (16x34x825)



O2 | SAFETY BOARD - W4L12784
(1) 5/8"x1 3/8"x28 5/8" (16x34x726)



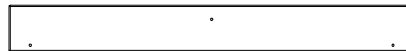
Q1 | SLIDE ATTACHMENT BOARD - W4L12792
(1) 1"x4 1/4"x27" (24x108x687)



SP1 | SWING BEAM SUPPORT - W4L12791
(1) 3 3/8"x3 3/8"x48 3/8" (86x86x1229)



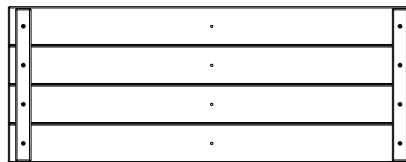
Y1 | TOP FLOOR BOARD - W4L12785
(2) 5/8"x4"x78" (16x102x1980)



Y2 | BOTTOM FLOOR BOARD - W4L12786
(2) 5/8"x4"x35 1/4" (16x102x895)



Y3 | ROCK WALL END BOARD - W4L12787
(1) 5/8"x4"x22 7/8" (16x102x580)



FP1 | BOTTOM FLOOR PANEL - W2A02648
(4) 1 5/8"x13 1/2"x35 3/8" (40x344x897)



FP2 | FLOOR PANEL - W2A02649
(4) 1 1/4"x13 1/2"x81 7/8" (32x344x2080)



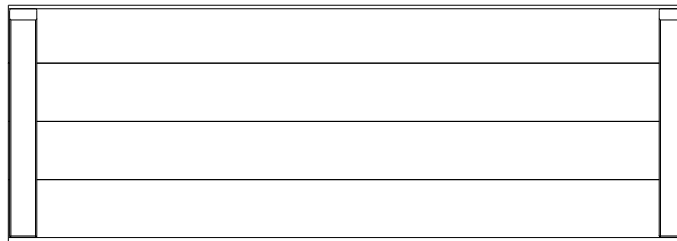
Wood Components (Not to Scale)



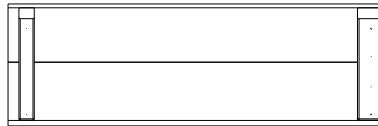
RP1 | LEFT PORCH PEAK ROOF PANEL - W2A02650
(1) | 1 5/8"x10 1/2"x32 7/8" (42x268x834)



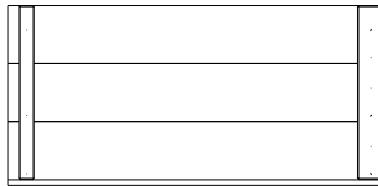
RP2 | LEFT PORCH ROOF PANEL - W2A02651
(1) | 1 5/8"x15 5/8"x32 7/8" (42x396x834)



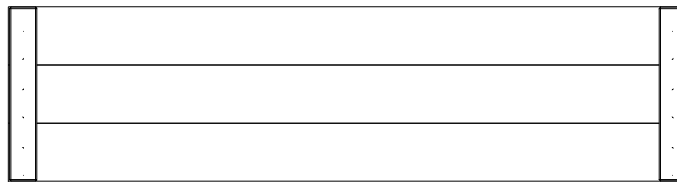
RP3 | PEAK ROOF PANEL - W2A02652
(2) | 1 5/8"x20 5/8"x59" (42x524x1499)



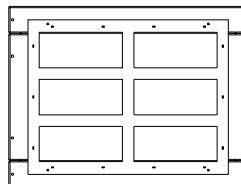
RP4 | RIGHT PORCH PEAK ROOF PANEL - W2A02653
(1) | 1 5/8"x10 1/2"x32 7/8" (42x268x834)



RP5 | RIGHT PORCH ROOF PANEL - W2A02654
(1) | 1 5/8"x15 5/8"x32 7/8" (42x396x834)



RP6 | ROOF PANEL - W2A02655
(4) | 1 5/8"x15 5/8"x59" (42x396x1499)



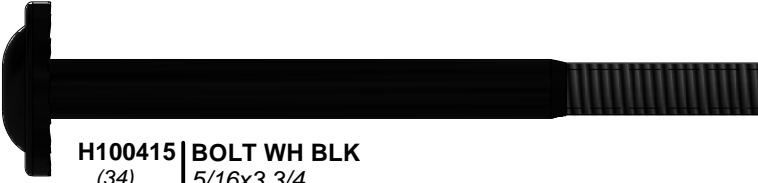
WP1 | BAY WINDOW PANEL - W2A02656
(6) | 7/8"x15 3/4"x20 3/4" (21x400x526)



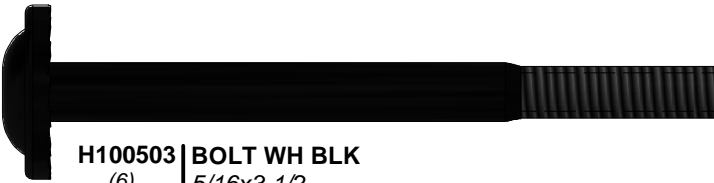
Hardware Components



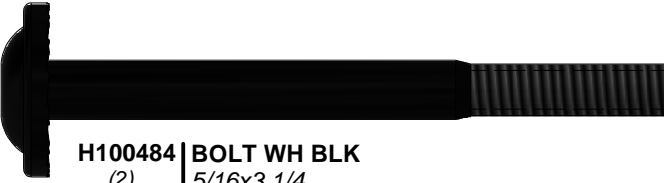
H100363 | BOLT WH BLK
(1) | 5/16X6



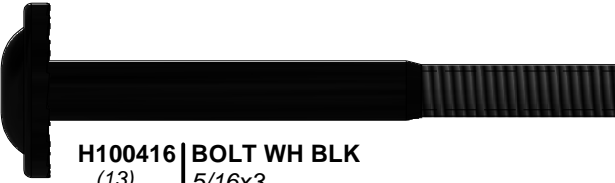
H100415 | BOLT WH BLK
(34) | 5/16x3 3/4



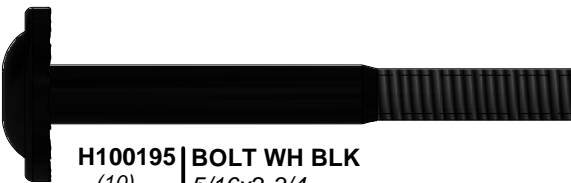
H100503 | BOLT WH BLK
(6) | 5/16x3-1/2



H100484 | BOLT WH BLK
(2) | 5/16x3 1/4



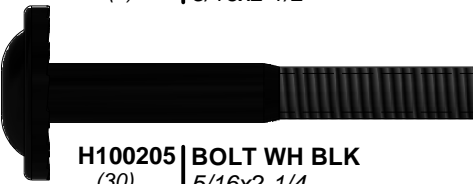
H100416 | BOLT WH BLK
(13) | 5/16x3



H100195 | BOLT WH BLK
(10) | 5/16x2-3/4



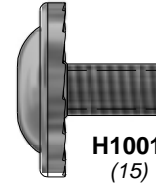
H100194 | BOLT WH BLK
(3) | 5/16x2 1/2



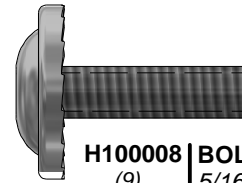
H100205 | BOLT WH BLK
(30) | 5/16x2-1/4



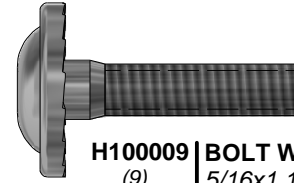
H100457 | BOLT WH BLK
(7) | 5/16x2



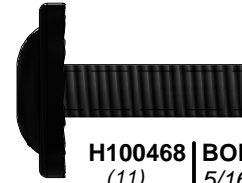
H100115 | BOLT WH
(15) | 5/16x1/2



H100008 | BOLT WH
(9) | 5/16x1



H100009 | BOLT WH
(9) | 5/16x1 1/4



H100468 | BOLT WH BLK
(11) | 5/16x1



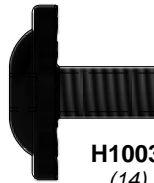
H100459 | BOLT WH BLK
(6) | 5/16x1 1/4



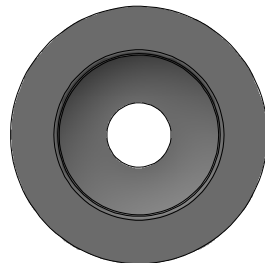
H100407 | BOLT WH BLK
(11) | 5/16x1 1/2



H100378 | BOLT WH BLK
(13) | 5/16x1 3/4



H100396 | BOLT WH BLK
(14) | 5/16x1/2



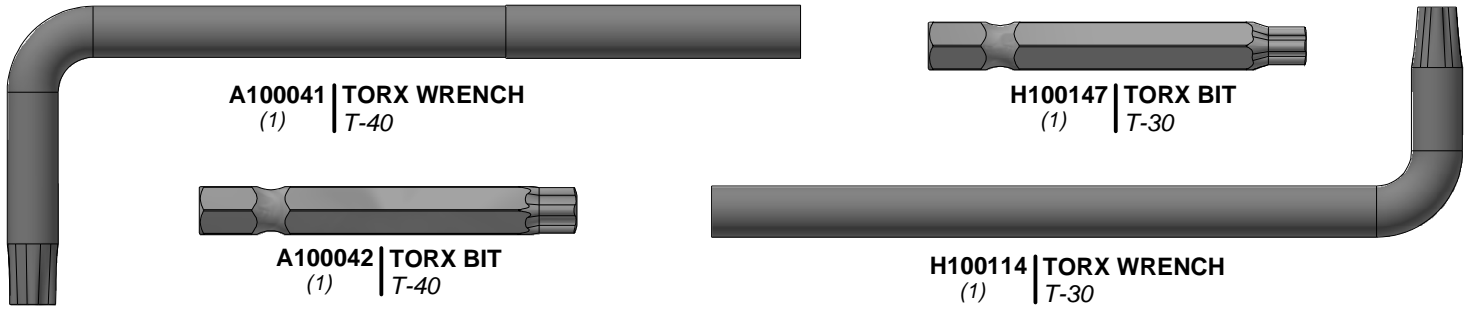
H100225 | FLANGE CUP
(1) | WASHER
9x34



H100082 | SCREW TAPPING
(1) | 14x2 1/2



Hardware Components

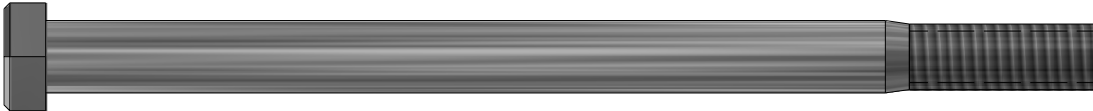


A100041 | TORX WRENCH
(1) | T-40

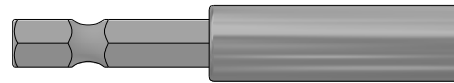
H100147 | TORX BIT
(1) | T-30

A100042 | TORX BIT
(1) | T-40

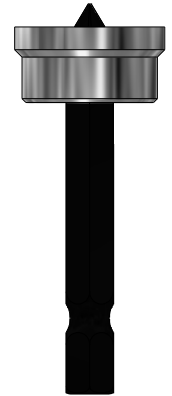
H100114 | TORX WRENCH
(1) | T-30



H100654 | BOLT HEX
(13) | 3/8x5-1/2



H101100 | MAGNETIC DRIVER
(1)



H100764 | SCREW SETTER
(1)



H100761 | BOLT HEX BLK
(4) | 5/16x2



H100471 | LAG SCREW WH BLK
(7) | 5/16x1 1/2



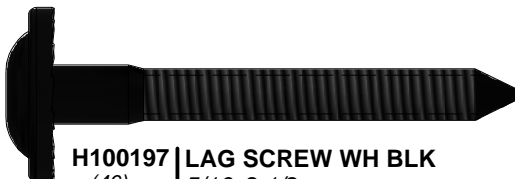
H100657 | BOLT HEX BLK
(4) | 5/16x1 3/4



H100458 | LAG SCREW WH BLK
(50) | 5/16x2



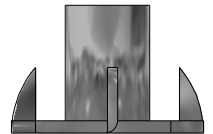
H100481 | BOLT HEX BLK
(4) | 5/16x1 1/4



H100197 | LAG SCREW WH BLK
(46) | 5/16x2 1/2



H100659 | LAG SCREW BLK
(9) | 5/16x1 1/2



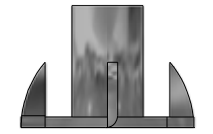
H100073 | T-NUT
(13) | 3/8



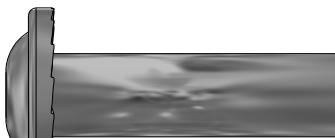
H100193 | NUT BARREL WH BLK
(2) | 5/16x1-1/2



H100192 | NUT BARREL WH BLK
(33) | 5/16x7/8



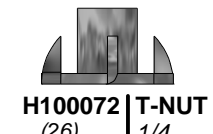
H100074 | T-NUT
(15) | 5/16



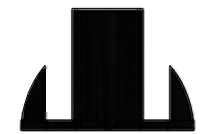
H100006 | NUT BARREL WH
(9) | 5/16x1 1/2



H100469 | NUT BARREL WH
(1) | BLK
5/16x5/8



H100072 | T-NUT
(26) | 1/4



H100379 | T-NUT BLK
(128) | 5/16



Hardware Components



H100090 | SCREW PFH
(33) | 8x2 1/2"



H100091 | SCREW PFH
(2) | 8X2 1/4



H100111 | SCREW PFH
(13) | 8x2



H100089 | SCREW PFH
(4) | 8x1 3/4



H100086 | SCREW PFH
(244) | 8x1 1/2



H100087 | SCREW PFH
(2) | 8x1 1/4



H100088 | SCREW PFH
(338) | 8x1 1/8



H100121 | SCREW PFH
(7) | 8x3/4



H100201 | SCREW PFH BLK
(17) | 8x2-1/2



H100483 | SCREW PFH BLK
(35) | 8x2 1/4



H100391 | SCREW PFH BLK
(72) | 8x2



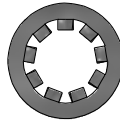
H100200 | SCREW PFH BLK
(74) | 8x1 1/2



H100380 | SCREW PFH BLK
(49) | 8x1 1/8



H100385 | SCREW PFH BLK
(9) | 8x1



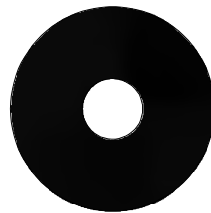
H100108 | WASHER LOCK INT
(26) | 8x15



H100199 | WASHER LOCK EXT BLK
(24) | 12x19



H100198 | WASHER LOCK EXT BLK
(192) | 8x19



H100478 | WASHER FLAT BLK
(22) | 8x27



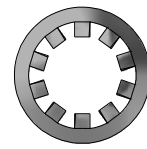
H100832 | BOLT PTH BLK (with LOCTITE)
(4) | 1/4x3/4



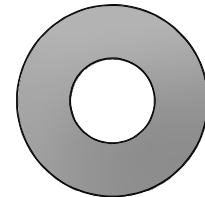
H100831 | NUT BARREL PTH BLK
(4) | 1/4x3/4



H100063 | BOLT PTH
(26) | 1/4x3/4



H100107 | WASHER LOCK INT
(13) | 10x18



H100102 | WASHER FLAT
(13) | 11x25



H100477 | WASHER SPLIT BLK
(22) | 5/16



H100360 | SCREW PPH WZ
(4) | 4x1/2



H100797 | SCREW PWH BLK
(19) | 8x1



H100202 | SCREW PWH BLK
(4) | 8x5/8



H100408 | SCREW PWH BLK
(2) | 8x1/2



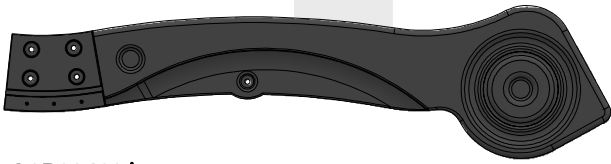
H100070 | SCREW PWH
(4) | 8x3/4



H100128 | SCREW PWH
(26) | 8x5/8



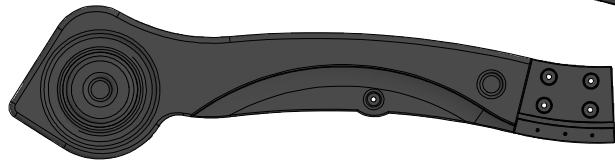
Accessory Components (Not to Scale)



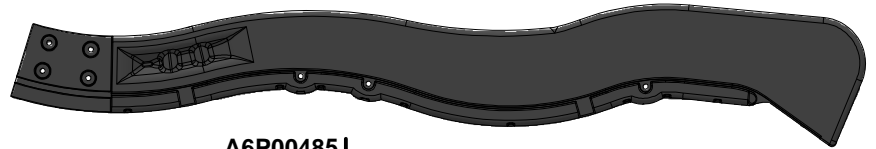
A6P00483 | SLIDE RAIL 10' BOTTOM LEFT GREEN
(1)



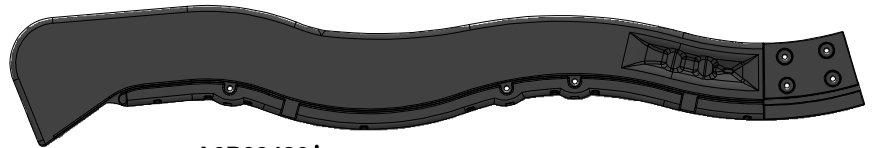
A100027 | SWING SEAT GREEN 26"
(2)



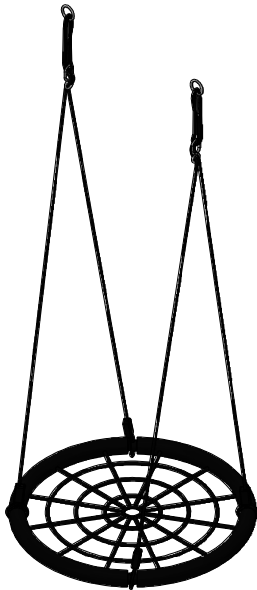
A6P00484 | SLIDE RAIL 10' BOTTOM RIGHT GREEN
(1)



A6P00485 | SLIDE RAIL 10' TOP LEFT GREEN
(1)



A6P00486 | SLIDE RAIL 10' TOP RIGHT GREEN
(1)



A4M01126 | 26" WEB SWING
(x1)



A6P00036 | GREEN HC ROCK #1
(6)



A6P00037 | GREEN HC ROCK #2
6



A4M01091 | 60" SLIDE BRACE (RIGHT)
(1)



A4M01092 | 60" SLIDE BRACE (LEFT)
(1)



A6P00385 | SLIDE BED 10' DARK GREEN
(1)

A6P00487 | SLIDE TUBE SUPPORT
(4)



A100164 | BYD ID TAG (LARGE) AGES 3-10
(1)



A4M01150 | VERTICAL ID PLATE
(1)



Accessory Components (Not to Scale)



A100047 | CHAIN GREEN 57"
(4)



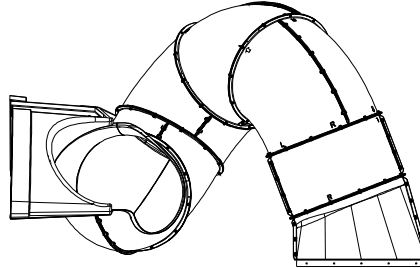
A100134 | HAND GRIP GREEN 816 C/C
(2)



A100324 | LADDER RUNG 578 GREEN
(2)



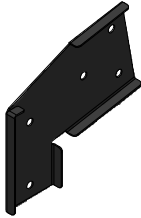
A100118 | HAND GRIP
METAL GREEN
381 c/c
(4)



(1) TUBE SLIDE ASSEMBLY



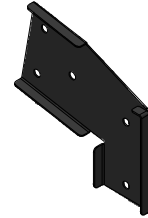
A100069 | QUICK LINK
(4)



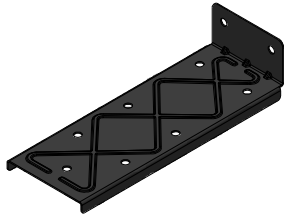
A100325 | SWING BEAM
EXTENSION
BRACKET-LEFT
(1)



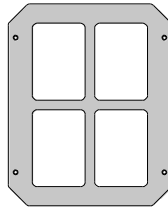
A100314 | "A" REVISION TAG
(1)



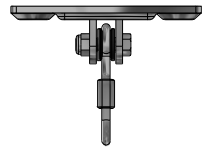
A100326 | SWING BEAM
EXTENSION
BRACKET-RIGHT
(1)



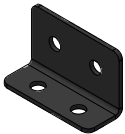
A4M00993 | EXTENDED
SWING BEAM
BRACKET
(2)



A100014 | PLASTIC WINDOW WHITE
(1)



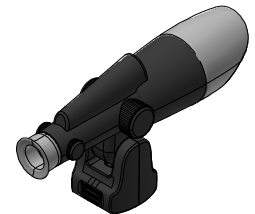
A4M00505 | SWING HANGER
(6)



A100396 | L BRACKET 51x32x82x3.175
(4)



A100178 | AUGER GROUND STAKE
(4)



A100104 | TELESCOPE
(1)



A4M00527 | GROUND STAKE REBAR
(2)



A100340 | L BRACKET 2.5x38x50x55
(11)

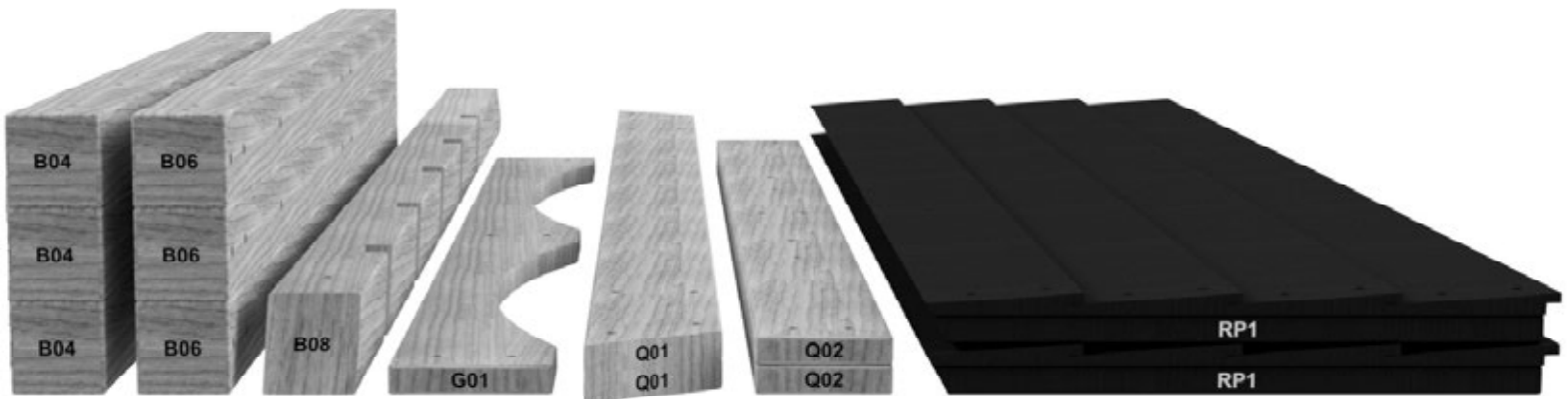
PRE-ASSEMBLY STEP 1 - SORTING PARTS

It is critical for ease of assembly that you take the time to sort and organize the wood and hardware.

WOOD PARTS:

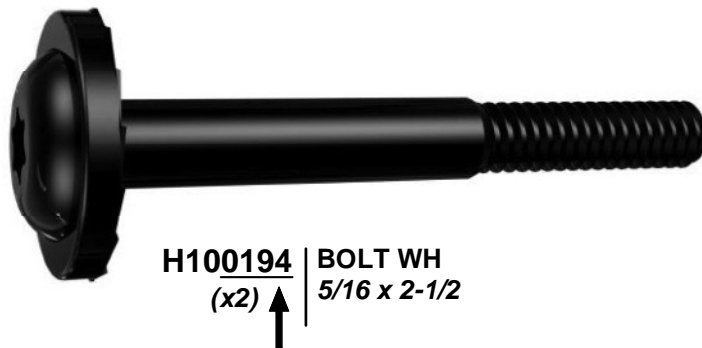
- Organize wood parts by the three-digit, alpha-numeric number stamped on each board (ex. P01).
- If there are multiple boards with the same stamped number, stack those pieces together.
- Stamps can be found on the flat surface of the boards or on the end of the boards.
- Allow yourself plenty of room - the wood pieces can take up a significant amount of space.

NOTE: CARTONS ARE NOT ORGANIZED BY BOARD NUMBER.



HARDWARE PARTS:

- We recommend that you have a separate table to organize the hardware.
- Hardware bags are printed with a seven-digit, alpha-numeric part number.
- You can organize your hardware by part number or group by hardware type (i.e. bolts, nuts, etc.).
- During assembly you only need to reference the last four digits of the number.



PRE-ASSEMBLY STEP 2 - TOOLS REQUIRED



Cordless Drill or
Electric Drill



Drill Attachments:
Phillips Head



1/8", 3/16", 3/8" & 7/16"
Drill Bits



Phillips Screw Driver



Open End Wrenches 1/2" & 9/16"



3/8" Drive Ratchet, 1/2" &
9/16" STD Sockets 1/2" & 9/16" Deep
Sockets



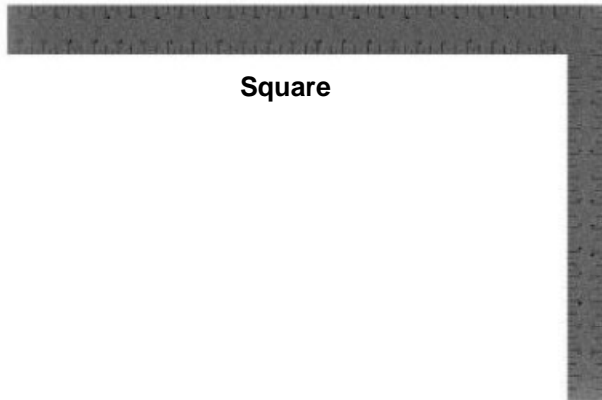
Claw Hammer



Rubber Mallet - Optional



Tape Measure



Square

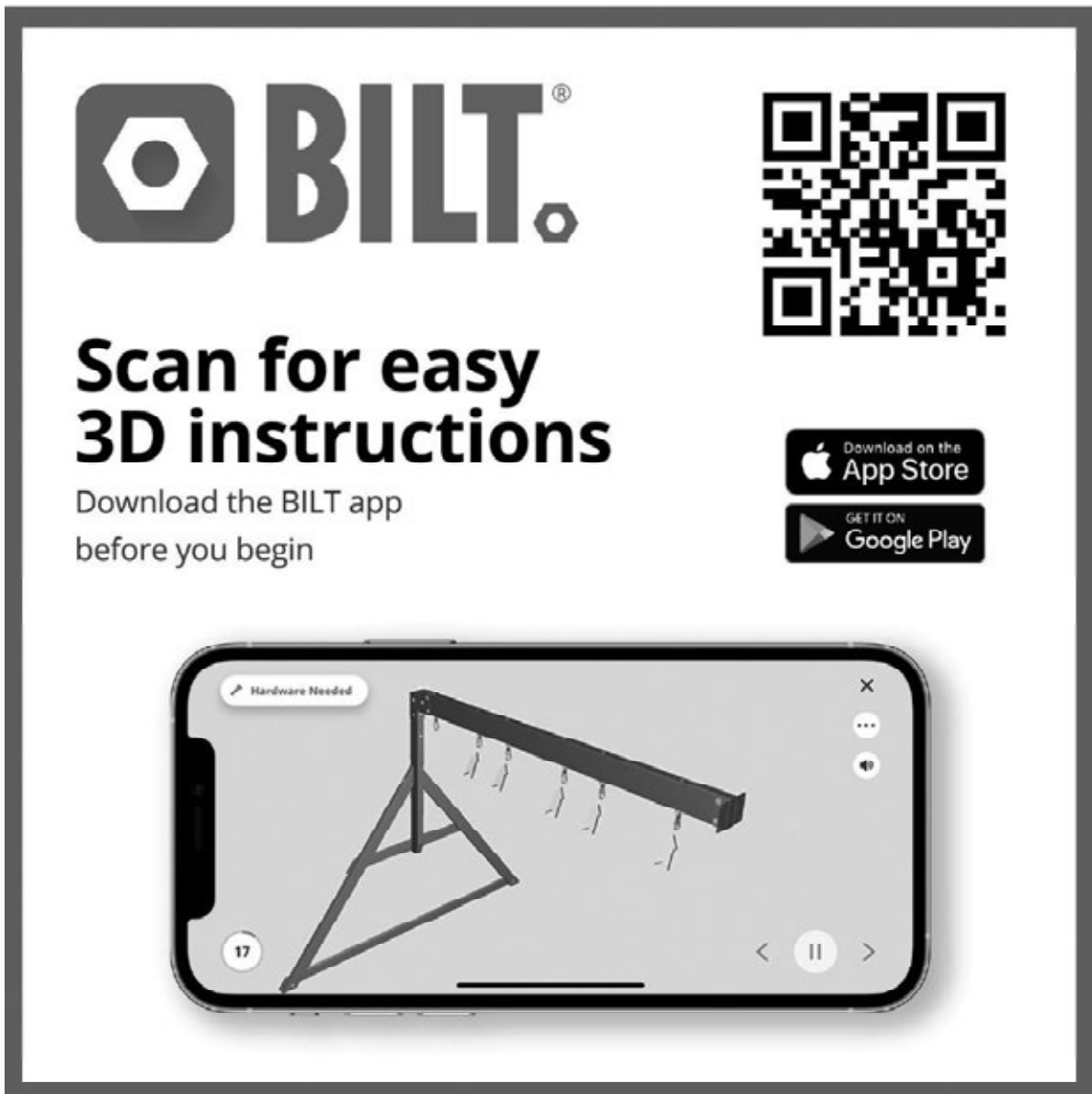


Level 24"

PRE-ASSEMBLY STEP 3 - CHOOSE YOUR ASSEMBLY METHOD

There are several types of assembly instructions available to you.

1. Printed Assembly Manual included with your set
2. BILT APP - 3D interactive instructions
3. Combination of the Printed Manual and BILT APP (Note: Step numbers can differ between the two methods)



BILT.[®]

Scan for easy
3D instructions

Download the BILT app
before you begin

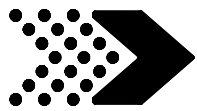
Download on the
App Store

GET IT ON
Google Play

Hardware Needed

17

< || >



SLIDE ASSEMBLY

STEP 1



A6P00385 | SLIDE BED 10' DARK GREEN
(x1)



M70 | SLIDE BED SUPPORT - W100935
(x1) | 5/8"x3 3/8"x19 7/8" (16x86x505)



H100115 | BOLT WH
(x3) | 5/16x1/2



H100074 | T-NUT
(x3) | 5/16



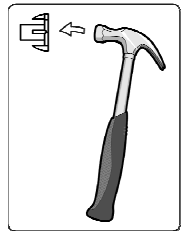
NOTE:

TAKE NOTE OF SLIDE BED SURFACE FINISH, THE DULL SIDE WILL BE TOWARDS THE GROUND. PLACE SLIDE BRACE CENTERED ON THE BOTTOM (DULL SIDE) AND 1/2" FROM THE EDGE. USE **M70** BOARD AS A TEMPLATE FOR DRILLING BOTTOM HOLE PATTERN IN SLIDE BED. USE A 5/16" DRILL BIT.

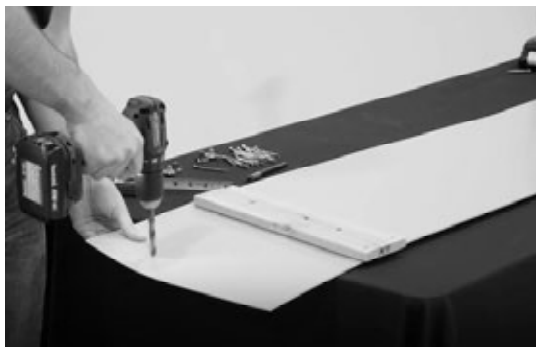
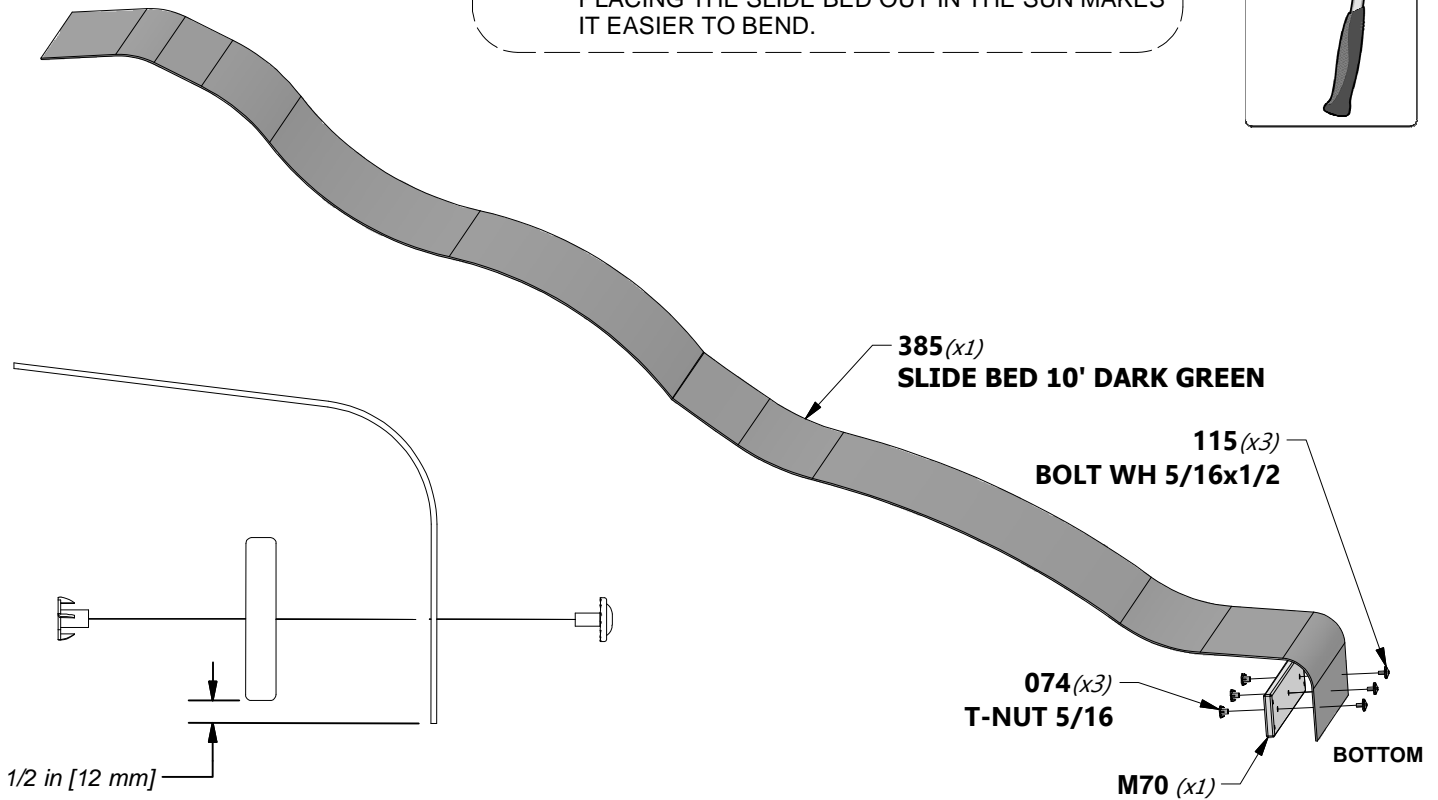


TIP:

PRE-BENDING THE ENDS WILL EASE ASSEMBLY. PLACING THE SLIDE BED OUT IN THE SUN MAKES IT EASIER TO BEND.



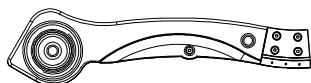
TOP



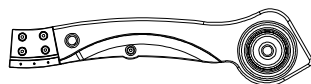


SLIDE ASSEMBLY

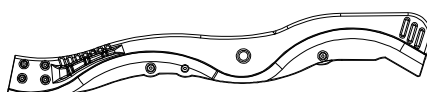
STEP 2



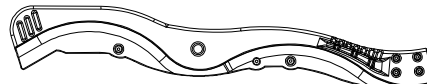
A6P00484 | SLIDE RAIL 10' BOTTOM RIGHT GREEN
(x1)



A6P00483 | SLIDE RAIL 10' BOTTOM LEFT GREEN
(x1)



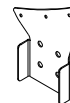
A6P00486 | SLIDE RAIL 10' TOP RIGHT GREEN
(x1)



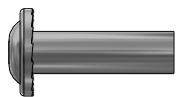
A6P00485 | SLIDE RAIL 10' TOP LEFT GREEN
(x1)



A4M01091 | 60" SLIDE BRACE (RIGHT)
(x1)



A4M01092 | 60" SLIDE BRACE (LEFT)
(x1)



H100006 | NUT BARREL WH
(x8) | 5/16x1 1/2



H100115 | BOLT WH
(x8) | 5/16x1/2



H100121 | SCREW PFH
(x6) | 8x3/4



NOTE:

BUILD 2 SIDE RAILS, MAKING A LEFT AND RIGHT ASSEMBLY.

486 (x1)
SLIDE RAIL 10' TOP RIGHT GREEN

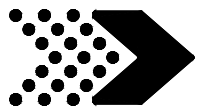
484 (x1)
SLIDE RAIL 10' BOTTOM RIGHT GREEN

121 (x3)
SCREW - 8x3/4"


006 (x4)
NUT BARREL - 1 1/2"

091 (x1)
60" SLIDE BRACE (RIGHT)

115 (x4)
BOLT - 1/2"




A6P00487 | SLIDE TUBE SUPPORT
 (x4)


H100009 | BOLT WH
 (x4) | 5/16x1 1/4

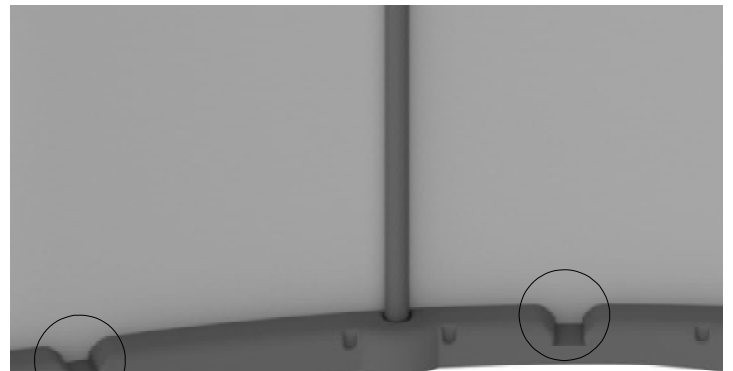
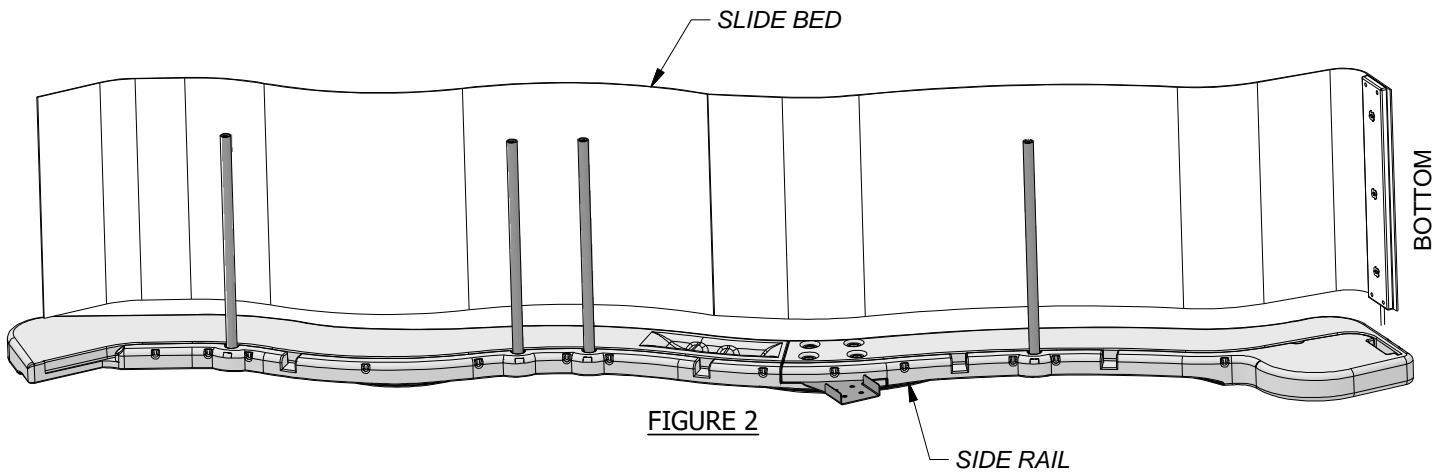
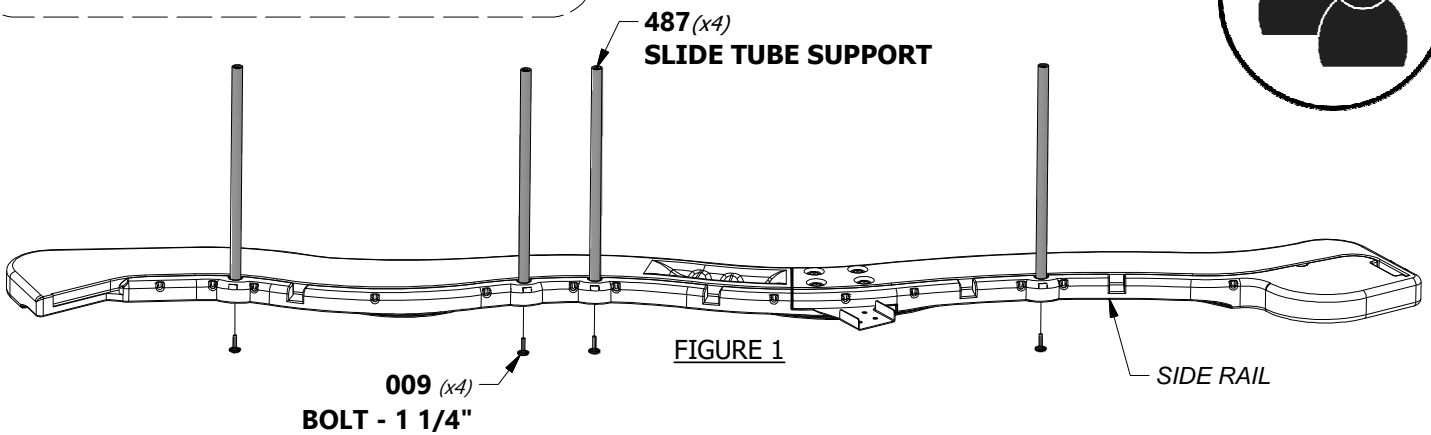
**NOTE:**

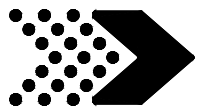
INSERT THE (4) SLIDE SUPPORT TUBES INTO THEIR RESPECTIVE PILOT LOCATIONS (FIGURE 1).

PLACE (1) SLIDE RAIL ASSEMBLY ON A FLAT SURFACE AND BEGIN INSERTING SLIDE BED AT THE BOTTOM OF THE SLIDE RAIL (FIGURE 2). HAVE A HELPER BEND THE SLIDE BED TOWARDS THE TOP OF THE SLIDE AND INSERT THE BED INTO THE SLIDE CAVITY. MAKE SURE SLIDE BED IS INSERTED WITHIN 1/8" (3mm) OF GROOVE BOTTOM.

**TIP:**

A HELPER IS RECOMMENDED FOR THESE FOLLOWING STEPS.

**VIEWING WINDOWS**

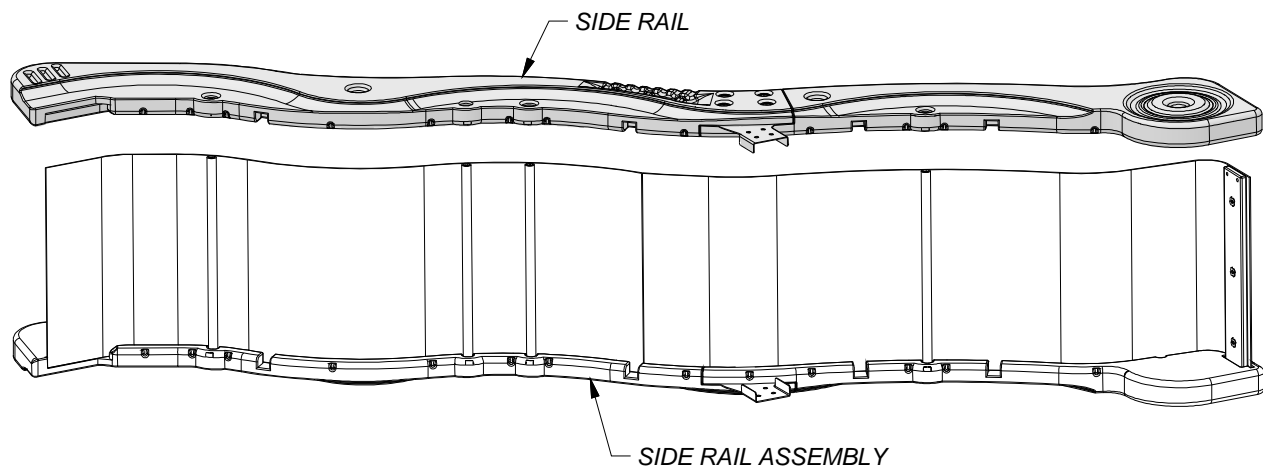


NOTE:

PLACE SECOND SLIDE RAIL ASSEMBLY OVER THE TOP OF THE SLIDE BED AND SLIDE SUPPORT TUBES. INSERT THE SLIDE BED AND SLIDE SUPPORT TUBES INTO THE SLIDE CAVITY. MAKE SURE SLIDE BED IS INSERTED WITHIN 1/8" (3mm) OF GROOVE BOTTOM.

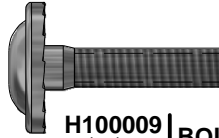
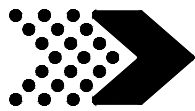


FAILURE TO INSERT SLIDE BED PROPERLY MAY RESULT IN INJURY OR AMPUTATION. EXPOSED SLIDE EDGES CAN BE SHARP AND BECOME A LACERATION HAZARD IF THE SLIDE IS NOT PROPERLY ASSEMBLED.



TIP:

USE A RUBBER Mallet TO FULLY SEAT THE SLIDE BED INTO THE SLIDE CAVITY.



H100009 | BOLT WH 5/16x1 1/4
(x4)



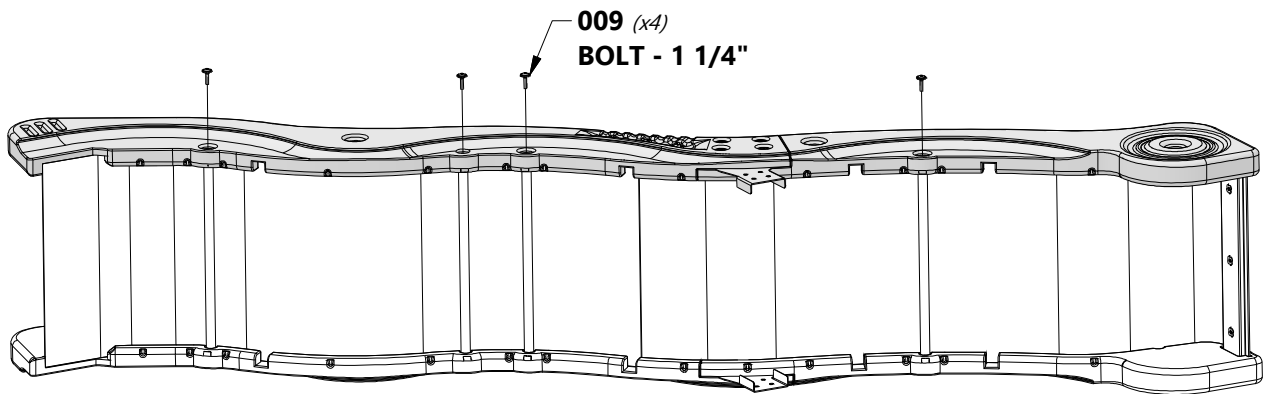
NOTE:

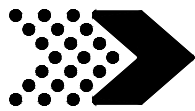
USE 1 1/4" BOLTS TO FASTEN EACH SIDE OF THE SLIDE SUPPORT TUBES.



TIP:

HAVING A HELPER HOLD THE SLIDE ASSEMBLY TOGETHER WHILE YOU FASTEN WILL MAKE IT EASIER TO ASSEMBLE.



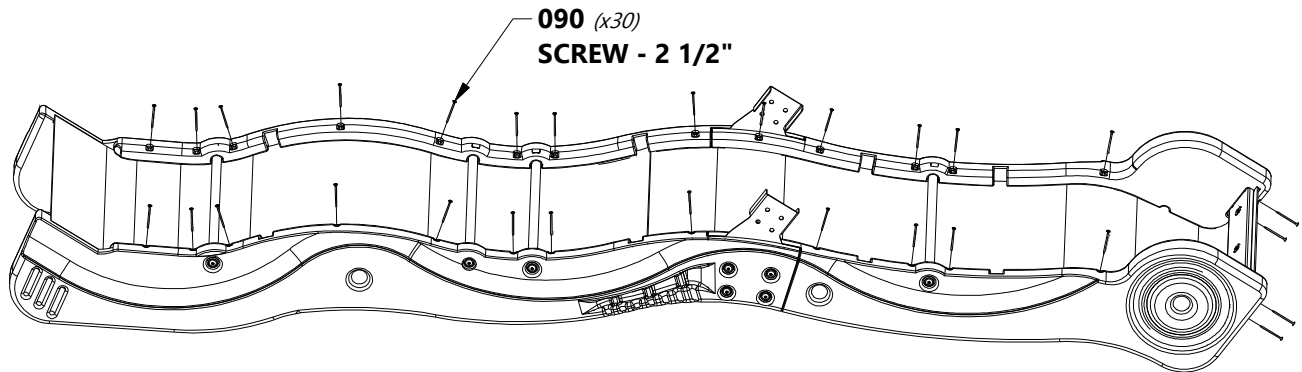


H100090 | SCREW PFH
(x30) | 8x2 1/2"



NOTE:

USING AN 1/8" DRILL BIT, DRILL PILOT HOLES IN EACH INDENTATION ALONG EACH SIDE RAIL. THERE SHOULD BE 15 INDENTATIONS ON EACH RAIL. BE SURE TO DRILL THROUGH THE SLIDE RAIL AND THE SLIDE BED. THEN SECURE WITH THE PROVIDED HARDWARE.





SLIDE ASSEMBLY

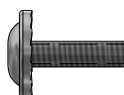
STEP 7



H80 | SLIDE BRACE WIDE - W4L15715
(x1) | 1"x3 3/8"x18 3/8" (24x86x466)



H81 | SLIDE BRACE UPRIGHT - W4L13301
(x2) | 1"x3 3/8"x22 7/8" (24x86x580)



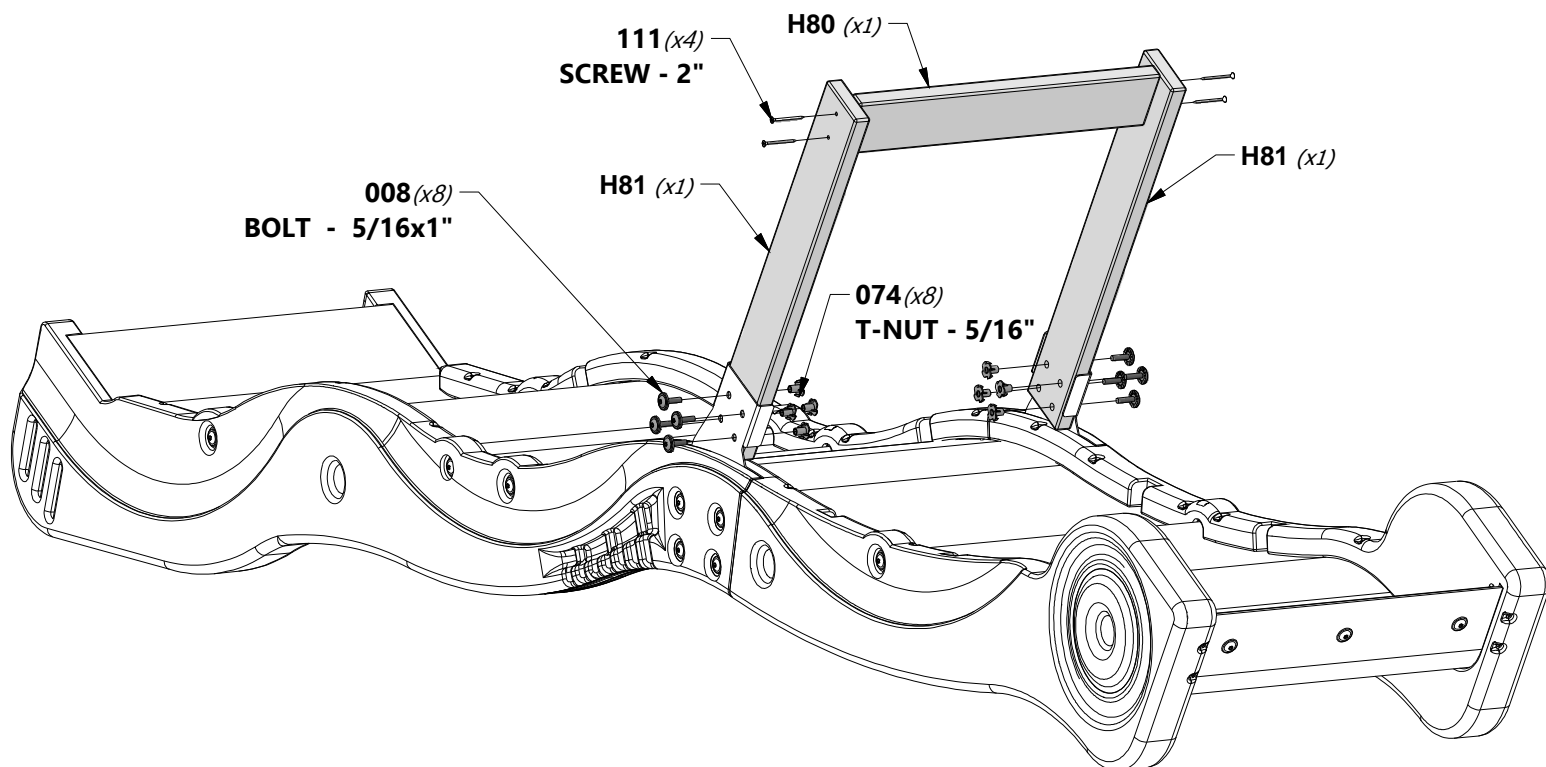
H100008 | BOLT WH
(x8) | 5/16x1

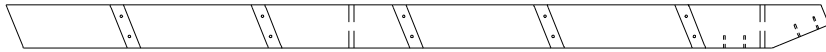


H100074 | T-NUT
(x8) | 5/16



H100111 | SCREW PFH
(x4) | 8x2





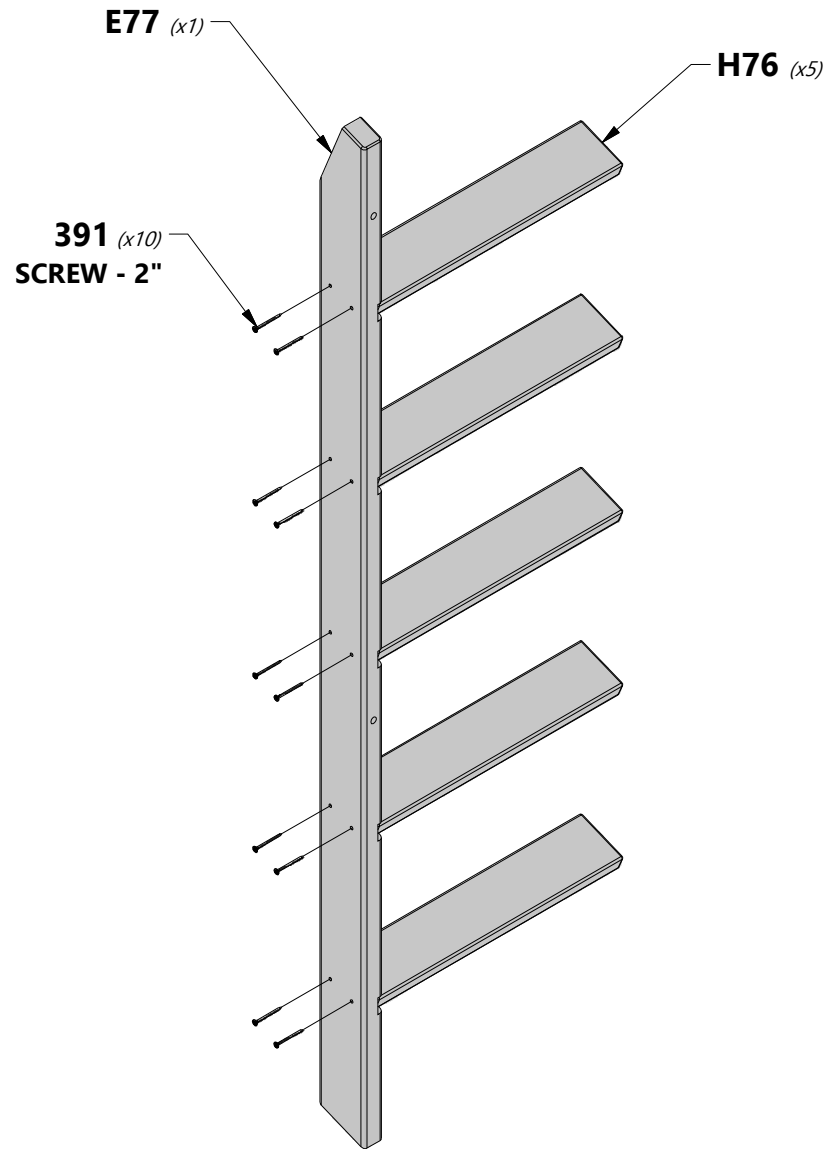
E77 | LEFT UPRIGHT - W4L12693
(1) | 1 3/8"x3 3/8"x64 3/8" (36x86x1634)

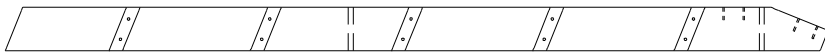


H76 | LADDER RUNG - W4L12736
(5) | 1"x3 3/8"x18 1/8" (24x86x460)



H100391 | SCREW PFH BLK
(10) | 8x2

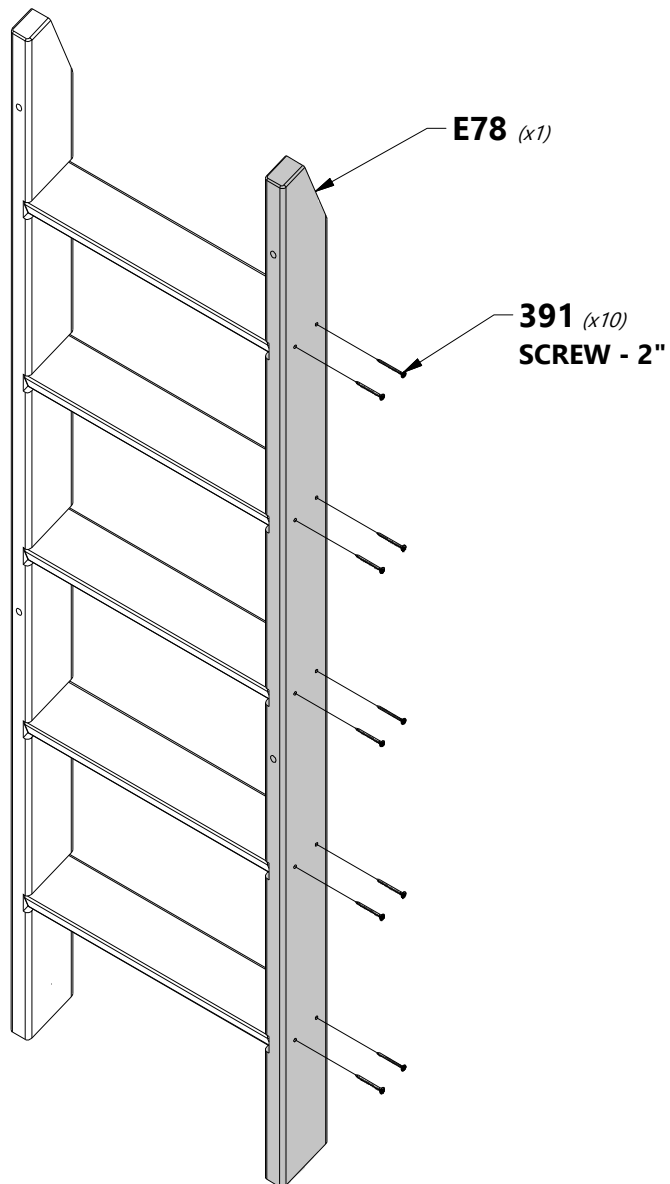




E78 | RIGHT UPRIGHT - W4L12694
(1) | 1 3/8"x3 3/8"x64 3/8" (36x86x1634)



H100391 | SCREW PFH BLK
(10) | 8x2





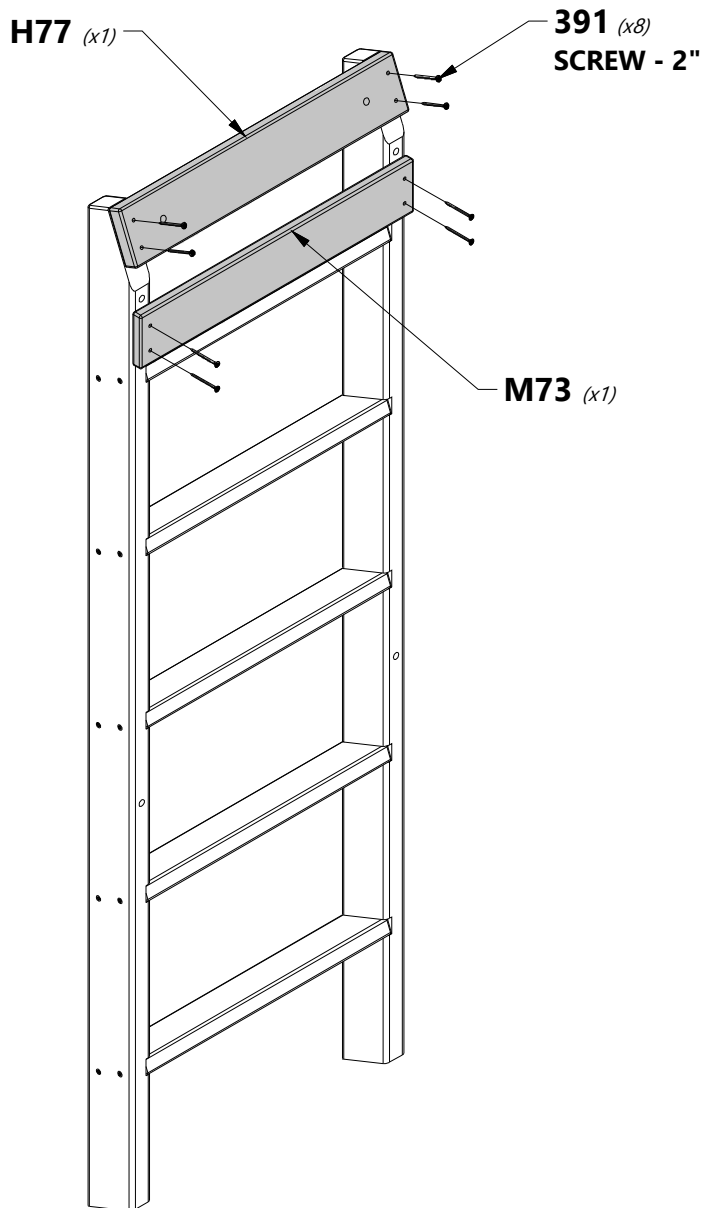
H77 | ATTACHMENT BOARD - W4L12737
(1) | 1"x3 3/8"x20 1/8" (24x86x512)

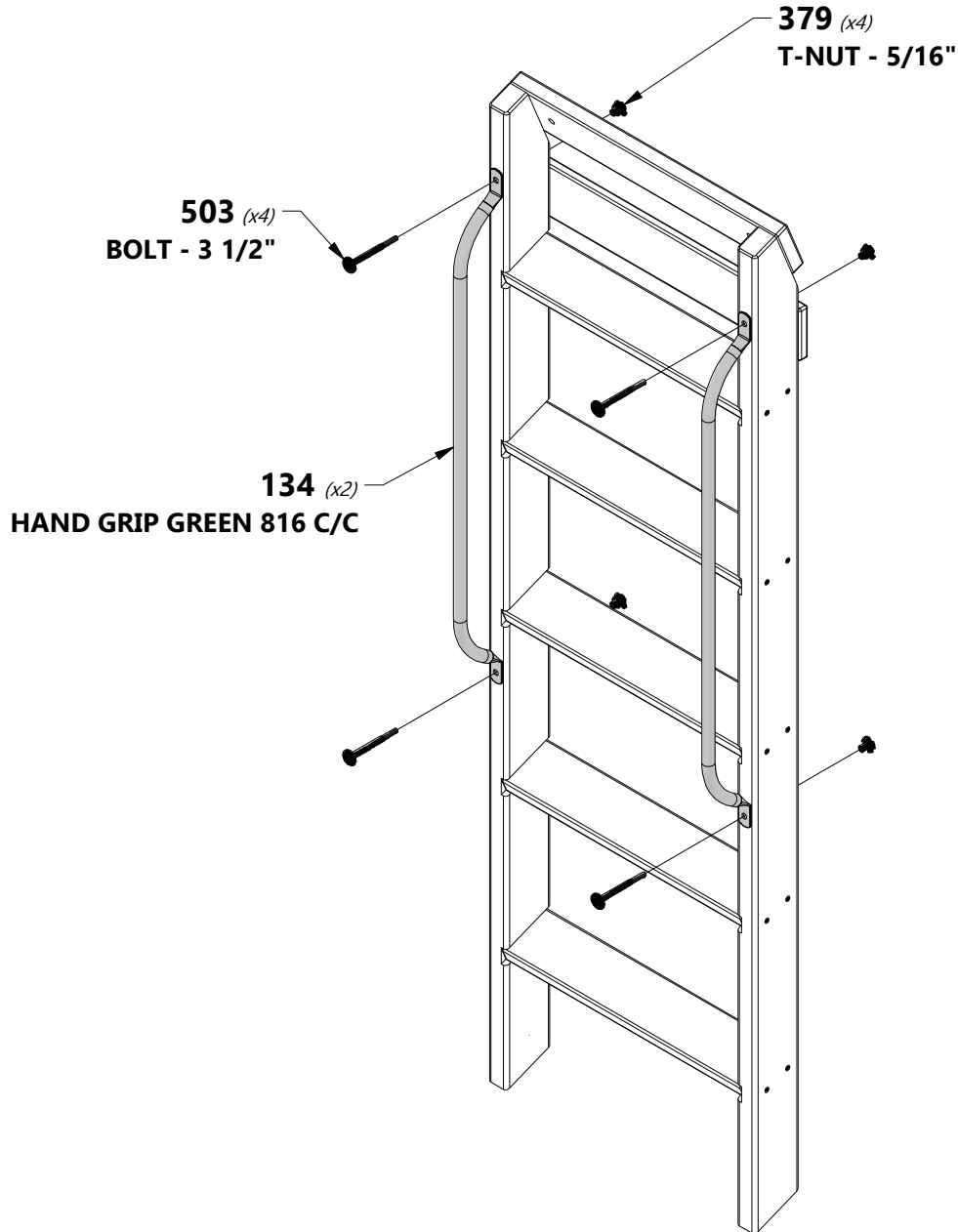
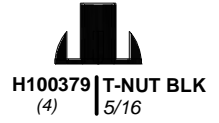
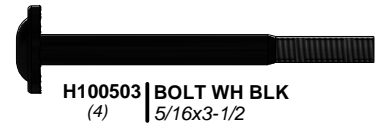


M73 | REAR SUPPORT - W4L12772
(1) | 5/8"x3 3/8"x20 1/8" (16x86x512)



H100391 | SCREW PFH BLK
(8) | 8x2







ROCKWALL ASSEMBLY

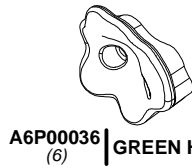
STEP 1



M75 | ROCK WALL BOARD - W4L12774
(4) 5/8"x3 3/8"x22 7/8" (16x86x580)



M76 | ROCK WALL BOARD - W4L12775
(4) 5/8"x3 3/8"x22 7/8" (16x86x580)



A6P00036 | GREEN HC ROCK #1
(6)



A6P00037 | GREEN HC ROCK #2
(6)



H100108 | WASHER LOCK
(24) INT
8x15



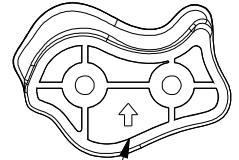
H100063 | BOLT PTH
(24) 1/4x3/4



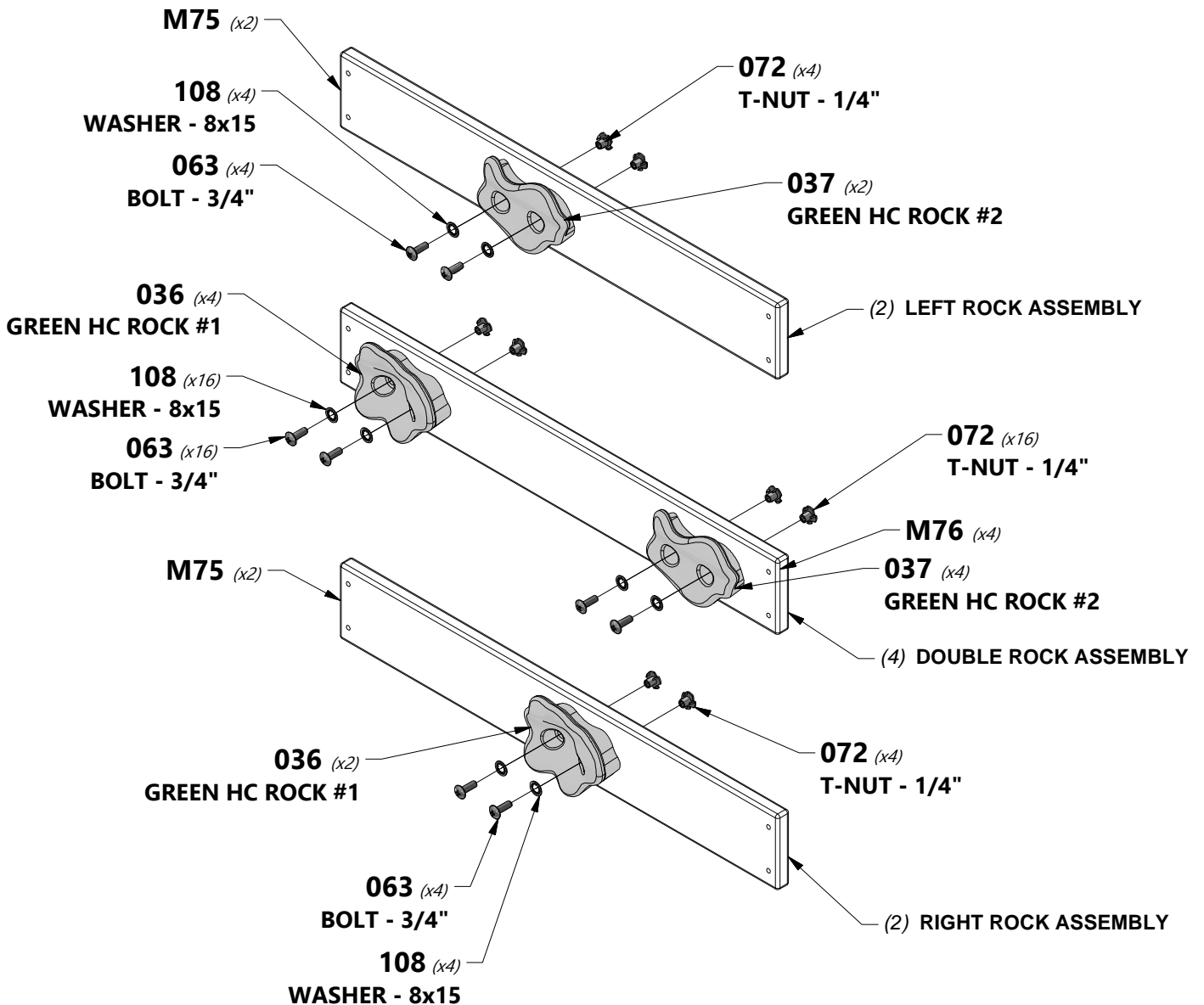
H100072 | T-NUT
(24) 1/4



TIP:
INSTALL T-NUTS INTO BOARDS BEFORE ASSEMBLY



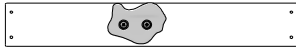
**ARROW ON BACK OF
ROCK POINTS UP.
PLACE ROCKS AS DESIRED**





ROCKWALL ASSEMBLY

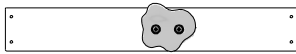
STEP 2



(2) LEFT ROCK ASSEMBLY



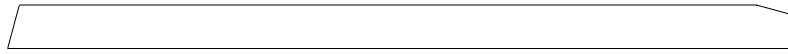
(4) DOUBLE ROCK ASSEMBLY



(2) RIGHT ROCK ASSEMBLY



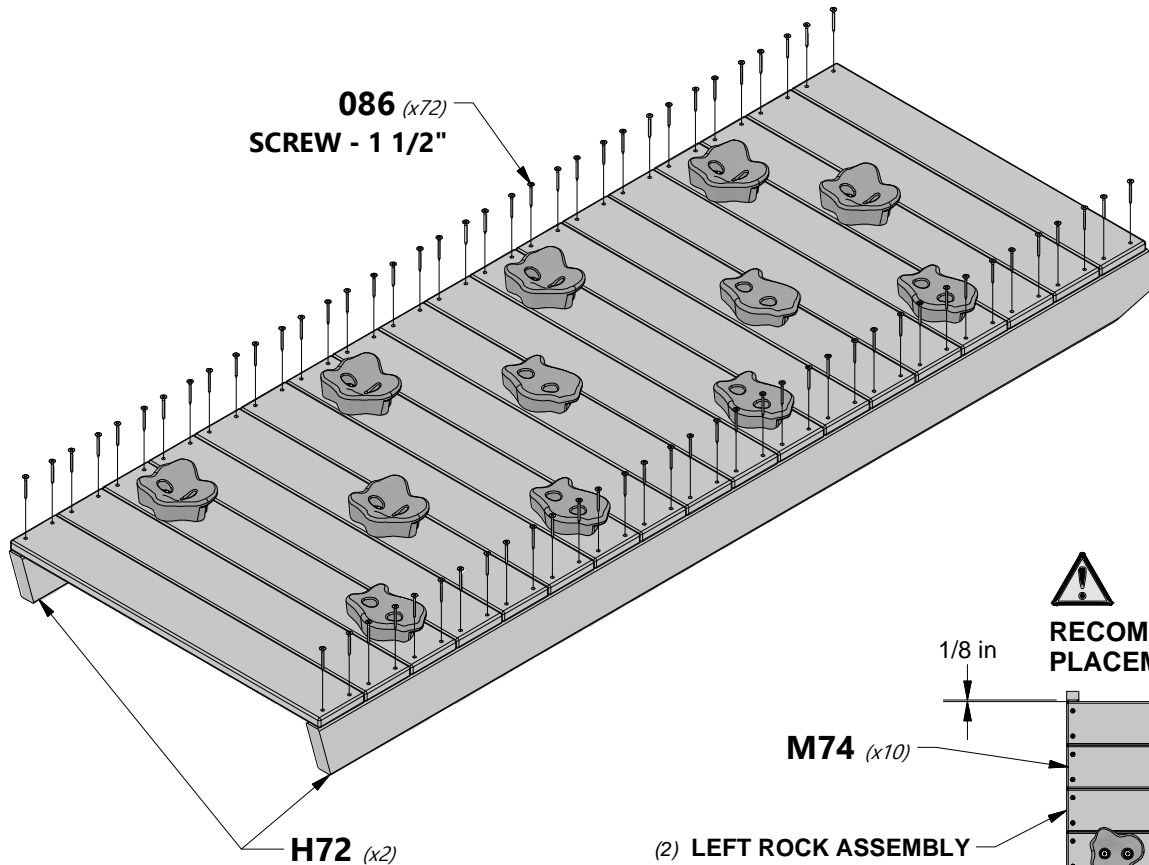
M74 ROCK WALL BOARD - W4L12773
(10) 5/8"x3 3/8"x22 7/8" (16x86x580)



H72 ROCKWALL RAIL - W4L12735
(2) 1"x3 3/8"x61 3/4" (24x86x1570)



H100086 SCREW PFH
(72) 8x1 1/2



086 (x72)
SCREW - 1 1/2"

H72 (x2)

M74 (x10)

(2) LEFT ROCK ASSEMBLY

(2) RIGHT ROCK ASSEMBLY

(4) DOUBLE ROCK ASSEMBLY



TOP

RECOMMENDED BOARD
PLACEMENT PATTERN

1/8 in

(2) LEFT ROCK ASSEMBLY

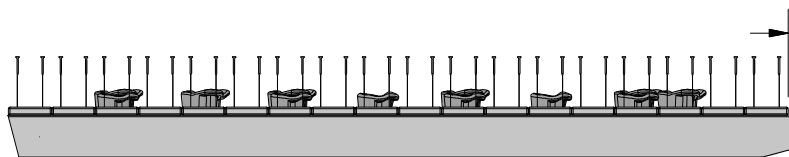
(2) RIGHT ROCK ASSEMBLY

(4) DOUBLE ROCK ASSEMBLY

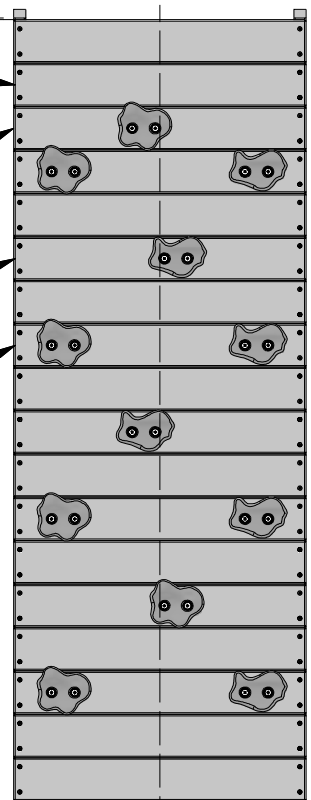


1/8 in

TOP



SIDE VIEW





ROCKWALL ASSEMBLY

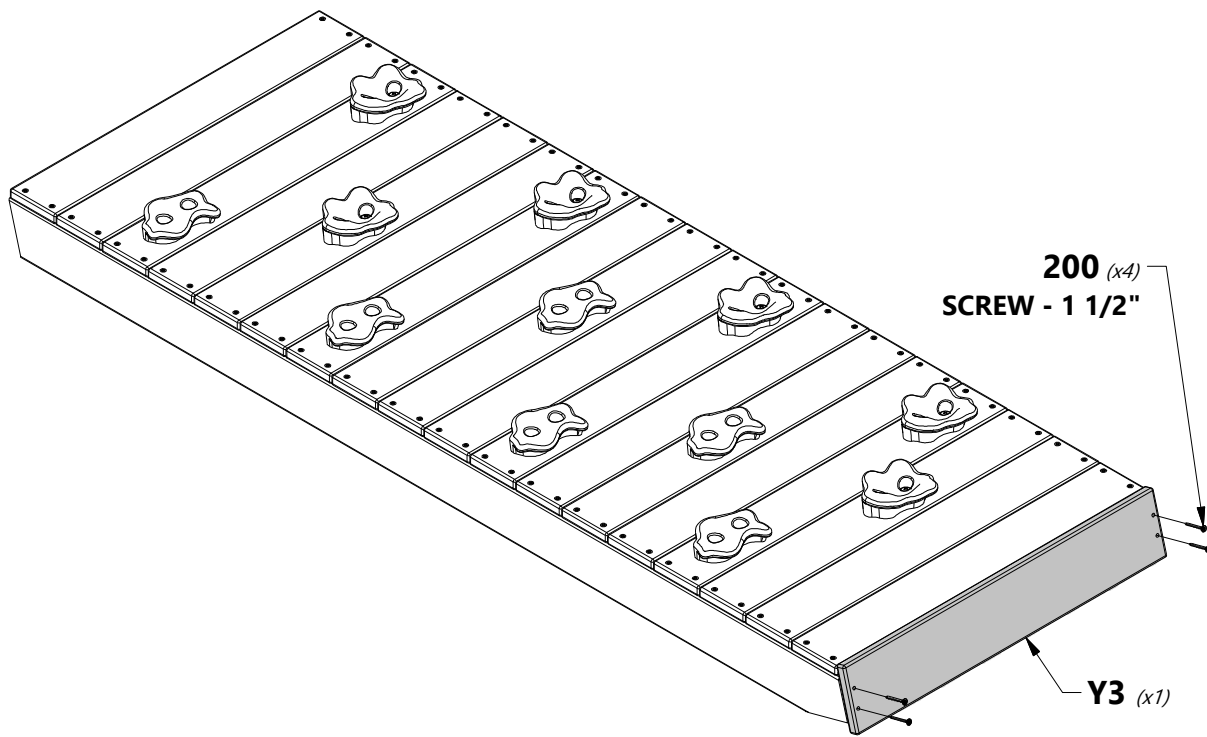
STEP 3



Y3 | ROCK WALL END BOARD - W4L12787
(1) | 5/8"x4"x22 7/8" (16x102x580)



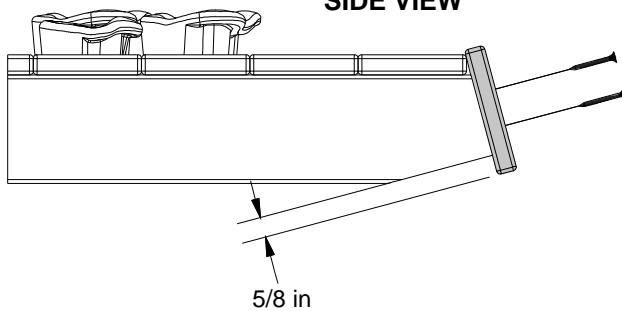
H100200 | SCREW PFH BLK
(4) | 8x1 1/2



200 (x4)
SCREW - 1 1/2"

Y3 (x1)

SIDE VIEW



5/8 in



ROCKWALL ASSEMBLY

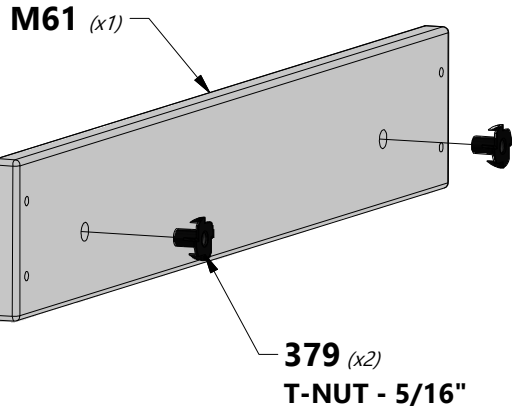
STEP 4



M61 | ATTACHMENT BOARD - W4L12771
 (1) | 5/8"x3 3/8"x22 7/8" (16x86x580)

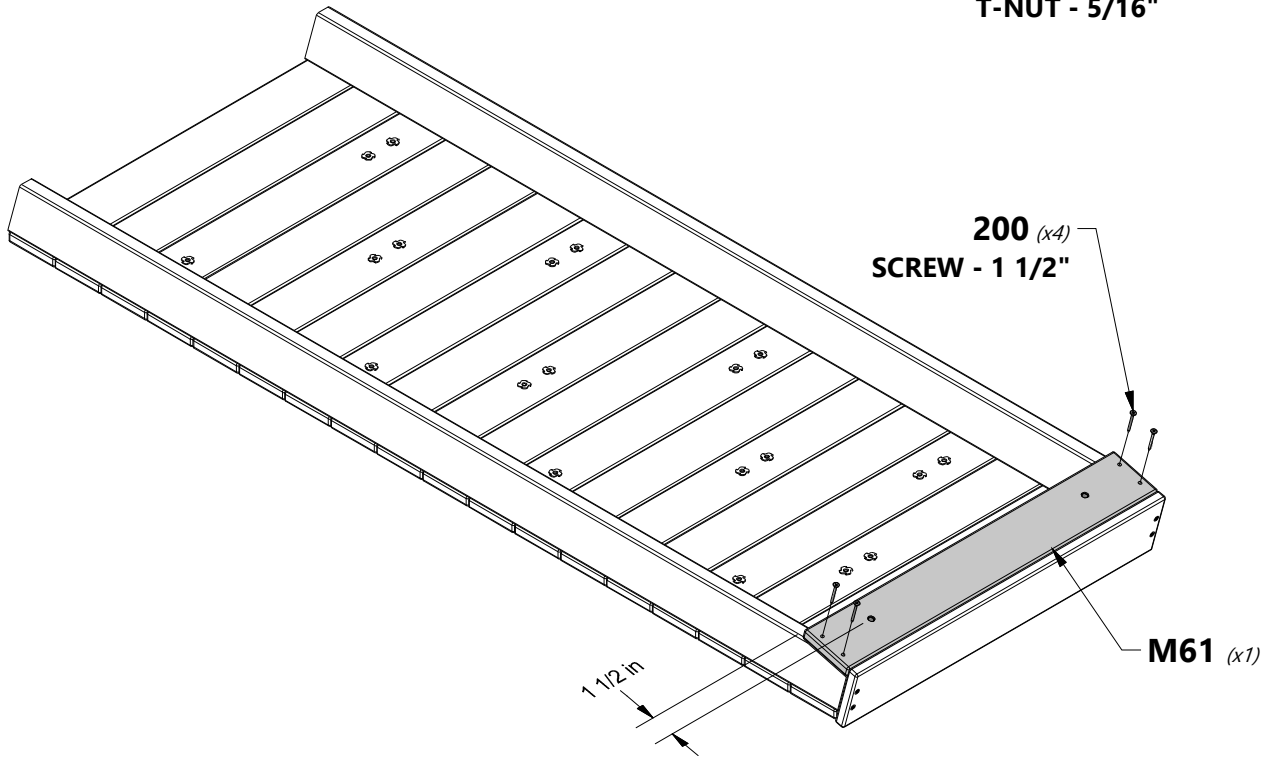
H100200 | SCREW PFH BLK
 (4) | 8x1 1/2

H100379 | T-NUT BLK
 (2) | 5/16



M61 (x1)

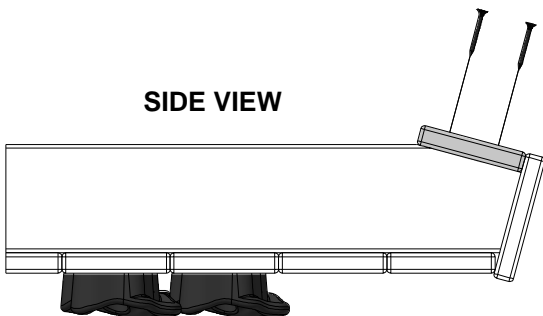
379 (x2)
T-NUT - 5/16"



200 (x4)
SCREW - 1 1/2"

M61 (x1)

SIDE VIEW

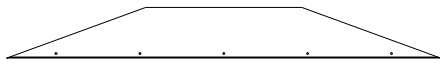


**T-NUTS TO THE INSIDE
 WHEN INSTALLING BOARD**

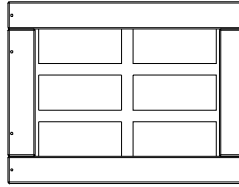


BAY WINDOW

STEP 1



G5 | BAY WINDOW HEADER - W4L12702
(4) | 1"x5 1/4"x45 1/4" (24x134x1150)



WP1 | BAY WINDOW PANEL - W2A02656
(6) | 7/8"x15 3/4"x20 3/4" (21x400x526)



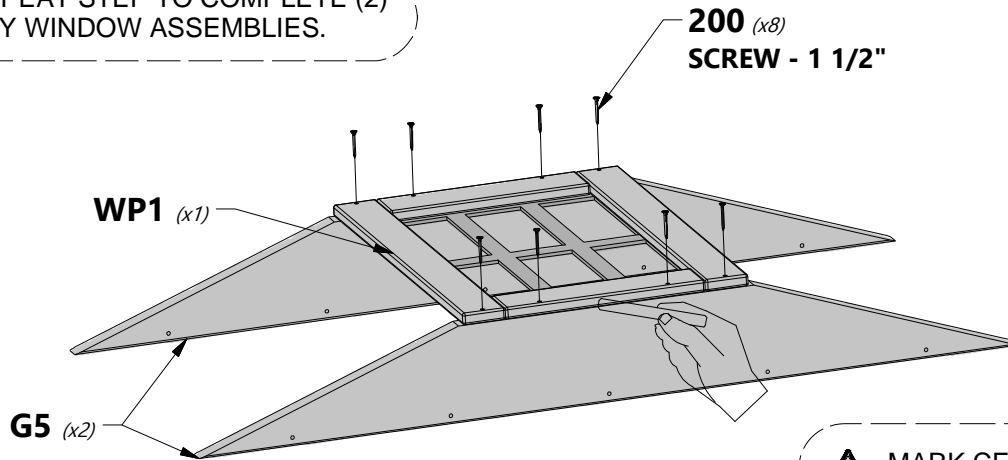
H100200 | SCREW PFH BLK
(40) | 8x1 1/2"



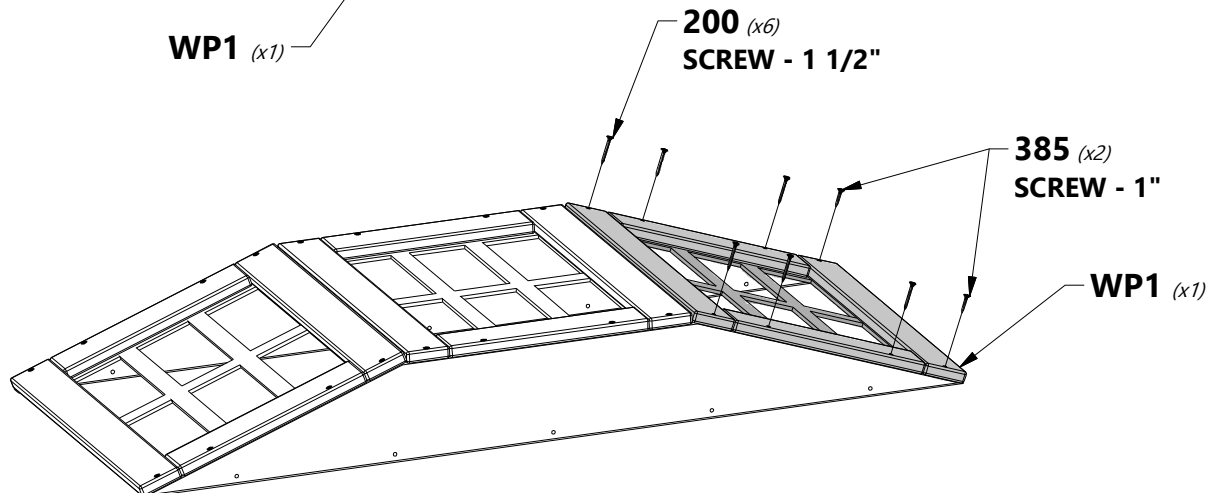
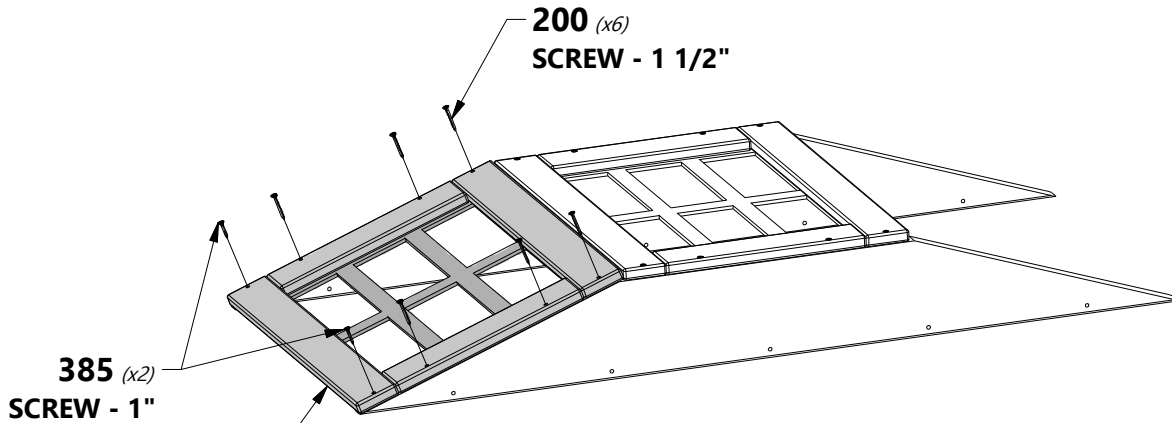
H100385 | SCREW PFH BLK
(8) | 8x1"



REPEAT STEP TO COMPLETE (2) BAY WINDOW ASSEMBLIES.



MARK CENTERS ON EACH PART THEN ALIGN PARTS ON MARKS.





PORCH ROOF

STEP 1



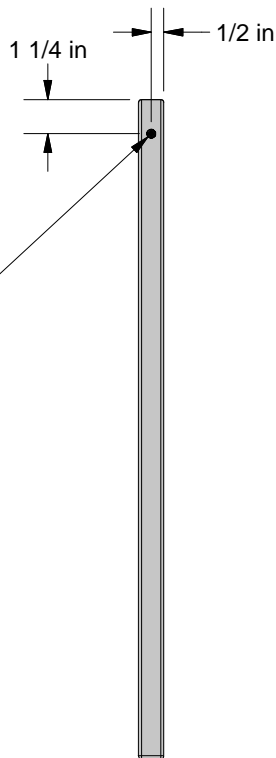
H20 | PORCH ROOF RAFTER - W4L12725
(4) | 1"x3 3/8"x24 1/2" (24x86x622)



H100483 | SCREW PFH BLK
(2) | 8x2 1/4

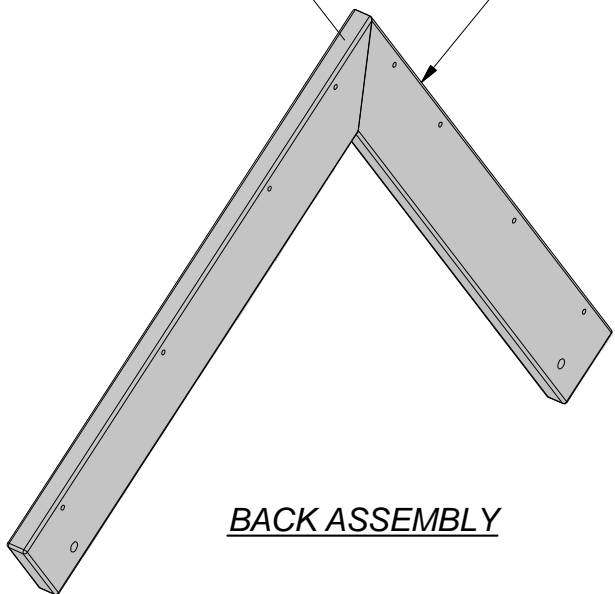


USING A 3/16" DRILL BIT, MARK AND DRILL A PILOT HOLE INTO 'H20' RAFTER TO PREVENT SPLITTING. ONLY DRILL THROUGH ONE RAFTER NOT BOTH.

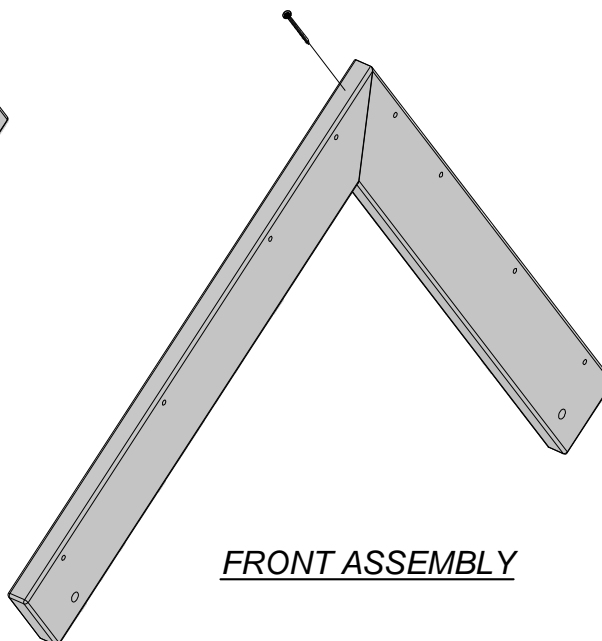


483 (x2)
SCREW - 8x2 1/4"

H20 (x4)



BACK ASSEMBLY



FRONT ASSEMBLY



PORCH ROOF

STEP 2

M19 | FRONT PORCH ROOF SUPPORT - W4L12760
 (1) | 5/8"x3 3/8"x30 5/8" (16x86x779)

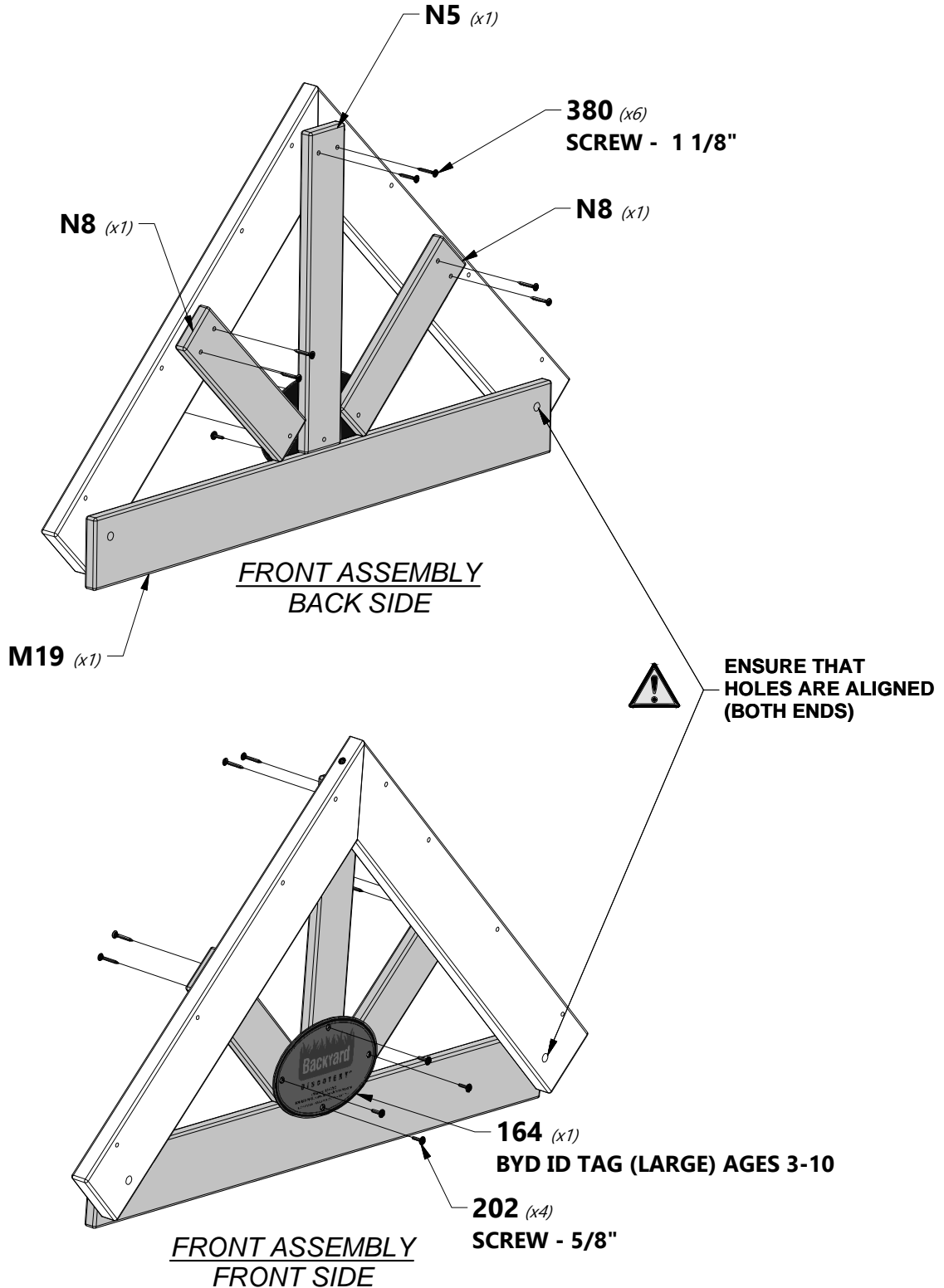
N8 | FRONT PORCH GABLE TRIM - W4L12782
 (2) | 5/8"x2 3/8"x9 1/2" (16x60x241)

H100380 | SCREW PFH BLK
 (6) | 8x1 1/8

A100164 | BYD ID TAG (LARGE) AGES 3-10
 (1)

N5 | FRONT PORCH GABLE TRIM - W4L12780
 (1) | 5/8"x2 3/8"x15" (16x60x381)

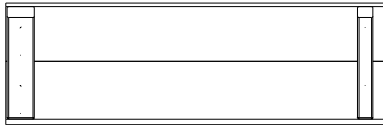
H100202 | SCREW PWH BLK
 (4) | 8x5/8



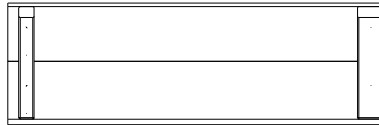


PORCH ROOF

STEP 3



RP1 | LEFT PORCH PEAK ROOF PANEL - W2A02650
(1) | 1 5/8"x10 1/2"x32 7/8" (42x268x834)

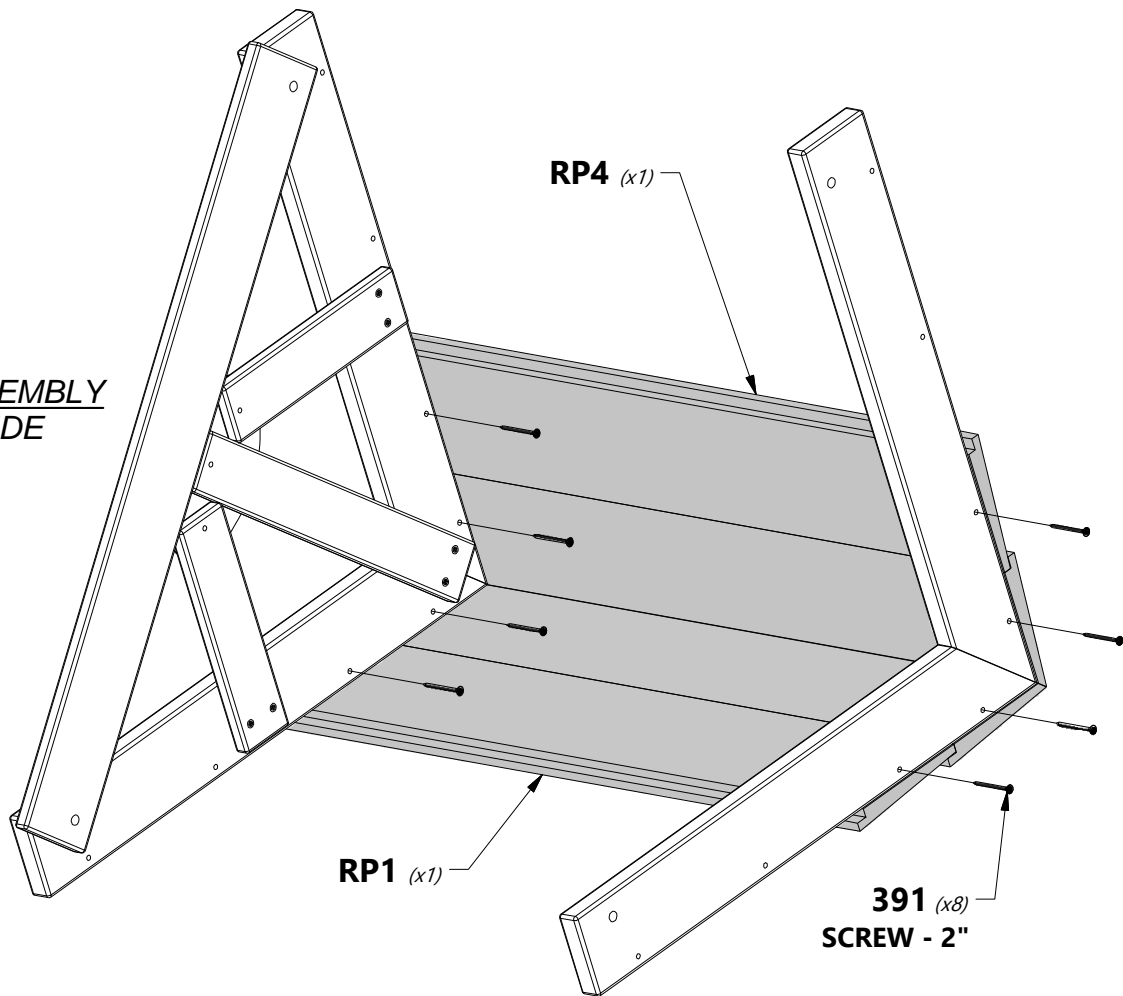


RP4 | RIGHT PORCH PEAK ROOF PANEL - W2A02653
(1) | 1 5/8"x10 1/2"x32 7/8" (42x268x834)



H100391 | SCREW PFH BLK
(8) | 8x2

FRONT ASSEMBLY
BACK SIDE





PORCH ROOF

STEP 4



RP2 | LEFT PORCH ROOF PANEL - W2A02651
(1) | 1 5/8" x 15 5/8" x 32 7/8" (42x396x834)

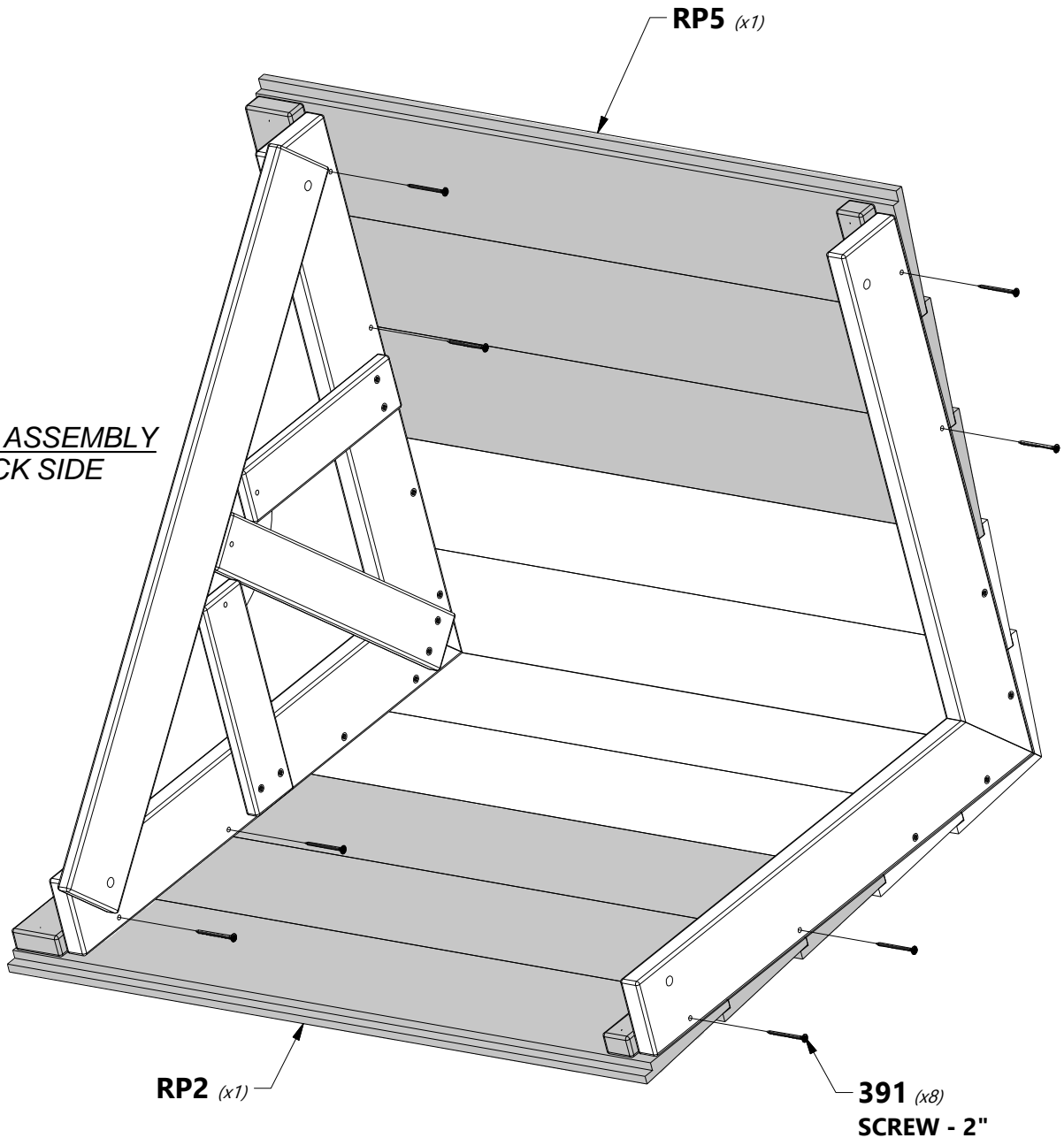


RP5 | RIGHT PORCH ROOF PANEL - W2A02654
(1) | 1 5/8" x 15 5/8" x 32 7/8" (42x396x834)



H100391 | SCREW PFH BLK
(8) | 8x2

FRONT ASSEMBLY
BACK SIDE





SWING BEAM

STEP 1

A2 | SB 9" BLOCK - W4L12790
 (1) | 3 3/8"x5 1/4"x9" (86x134x228)

A1 | SWING BEAM - W4L12789
 (1) | 3 3/8"x5 1/4"x89 1/2" (86x134x2274)

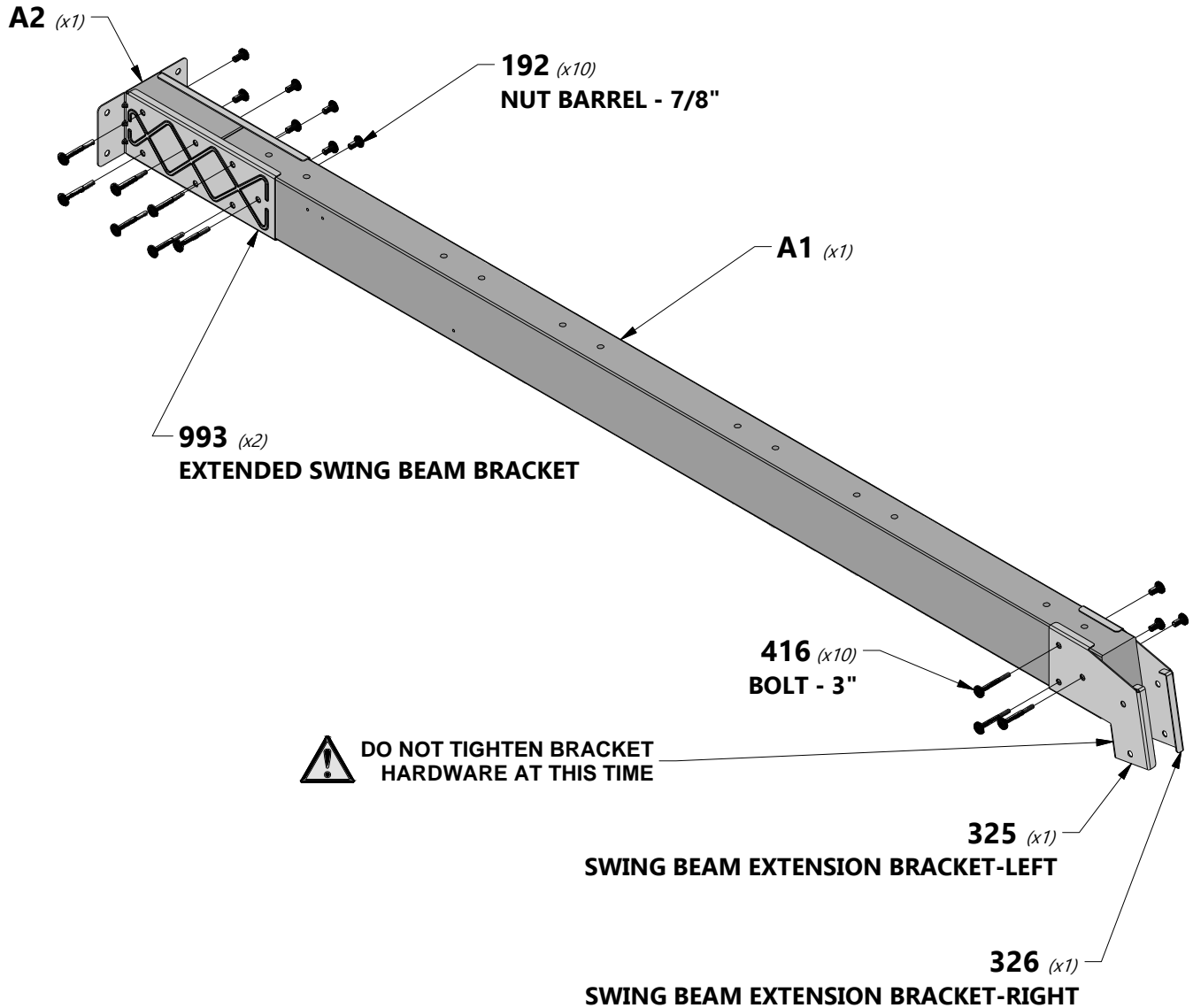
H100416 | BOLT WH BLK
 (10) | 5/16x3

A100325 | SWING BEAM
 EXTENSION
 BRACKET-LEFT
 (1)

A100326 | SWING BEAM
 EXTENSION
 BRACKET-RIGHT
 (1)

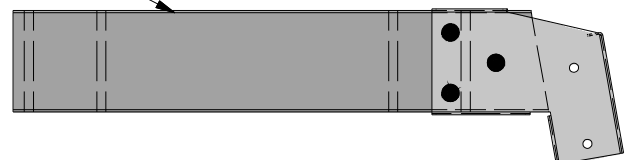
A4M00993 | EXTENDED
 SWING BEAM
 BRACKET
 (2)

H100192 | NUT BARREL WH BLK
 (10) | 5/16x7/8



DO NOT TIGHTEN BRACKET
 HARDWARE AT THIS TIME

THIS EDGE UPWARDS





SWING BEAM

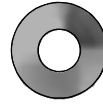
STEP 2



H100654 | BOLT HEX
(12) | 3/8x5-1/2



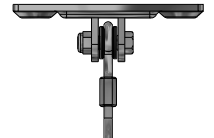
H100107 | WASHER LOCK INT
(12) | 10x18



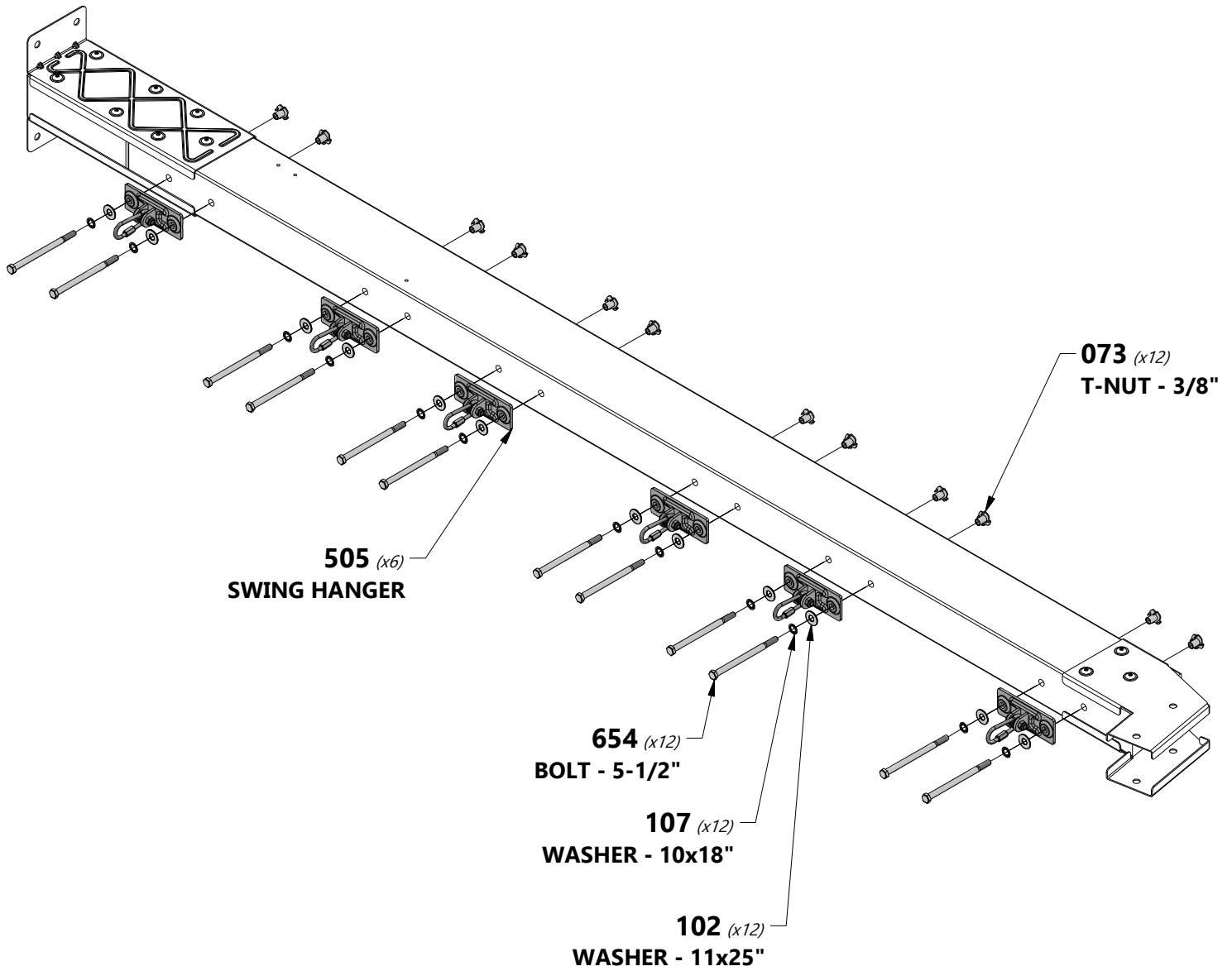
H100102 | WASHER FLAT
(12) | 11x25



H100073 | T-NUT
(12) | 3/8



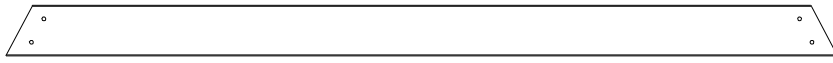
A4M00505 | SWING HANGER
(6)



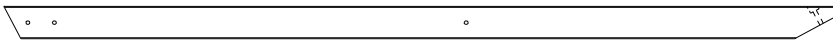


SWING BEAM

STEP 3



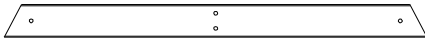
G8 | GROUND BOARD - W4L08134
(1) | 1"x5 1/4"x86 3/4" (24x134x2202)



E4 | ANGLE BRACE - W4L13302
(2) | 1 3/8"x3 3/8"x87 1/8" (36x86x2212)



SP1 | SWING BEAM SUPPORT - W4L12791
(1) | 3 3/8"x3 3/8"x48 3/8" (86x86x1229)



E50 | END SUPPORT - W4L08131
(1) | 1 3/8"x3 3/8"x44 1/8" (36x86x1120)



H100363 | BOLT WH BLK
(1) | 5/16x6



H100415 | BOLT WH BLK
(2) | 5/16x3 3/4

H100192 | NUT BARREL WH BLK
(7) | 5/16x7/8



H100205 | BOLT WH BLK
(2) | 5/16x2-1/4

H100193 | NUT BARREL WH BLK
(2) | 5/16x1-1/2



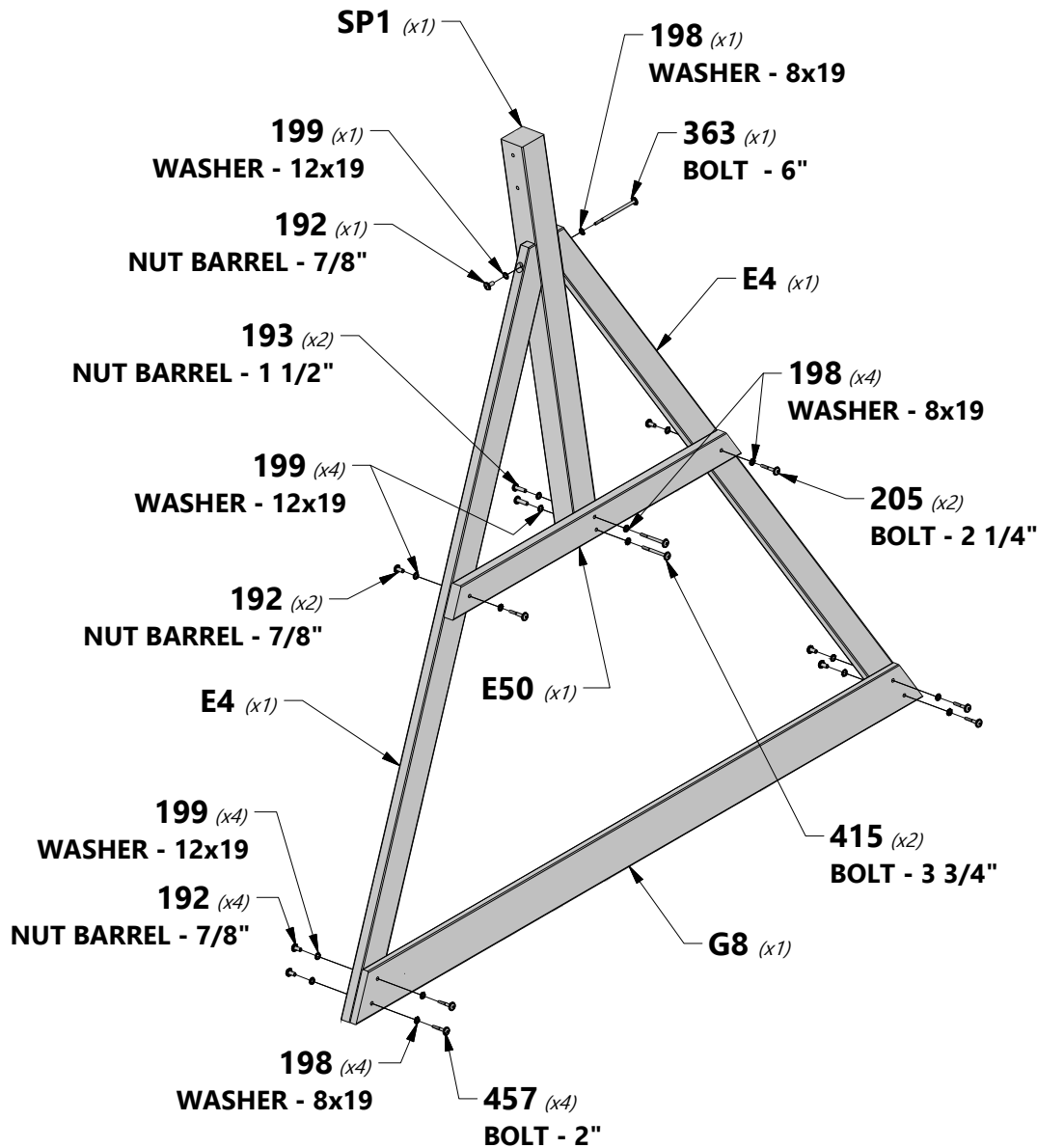
H100457 | BOLT WH BLK
(4) | 5/16x2



H100199 | WASHER LOCK EXT BLK
(9) | 12x19



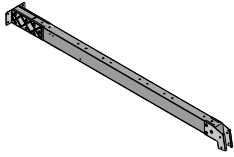
H100198 | WASHER LOCK EXT BLK
(9) | 8x19



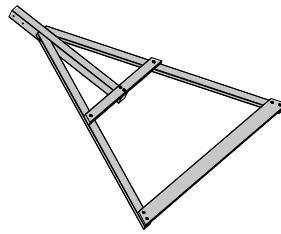


SWING BEAM

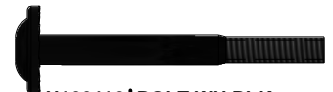
STEP 4



(1) BEAM ASSEMBLY



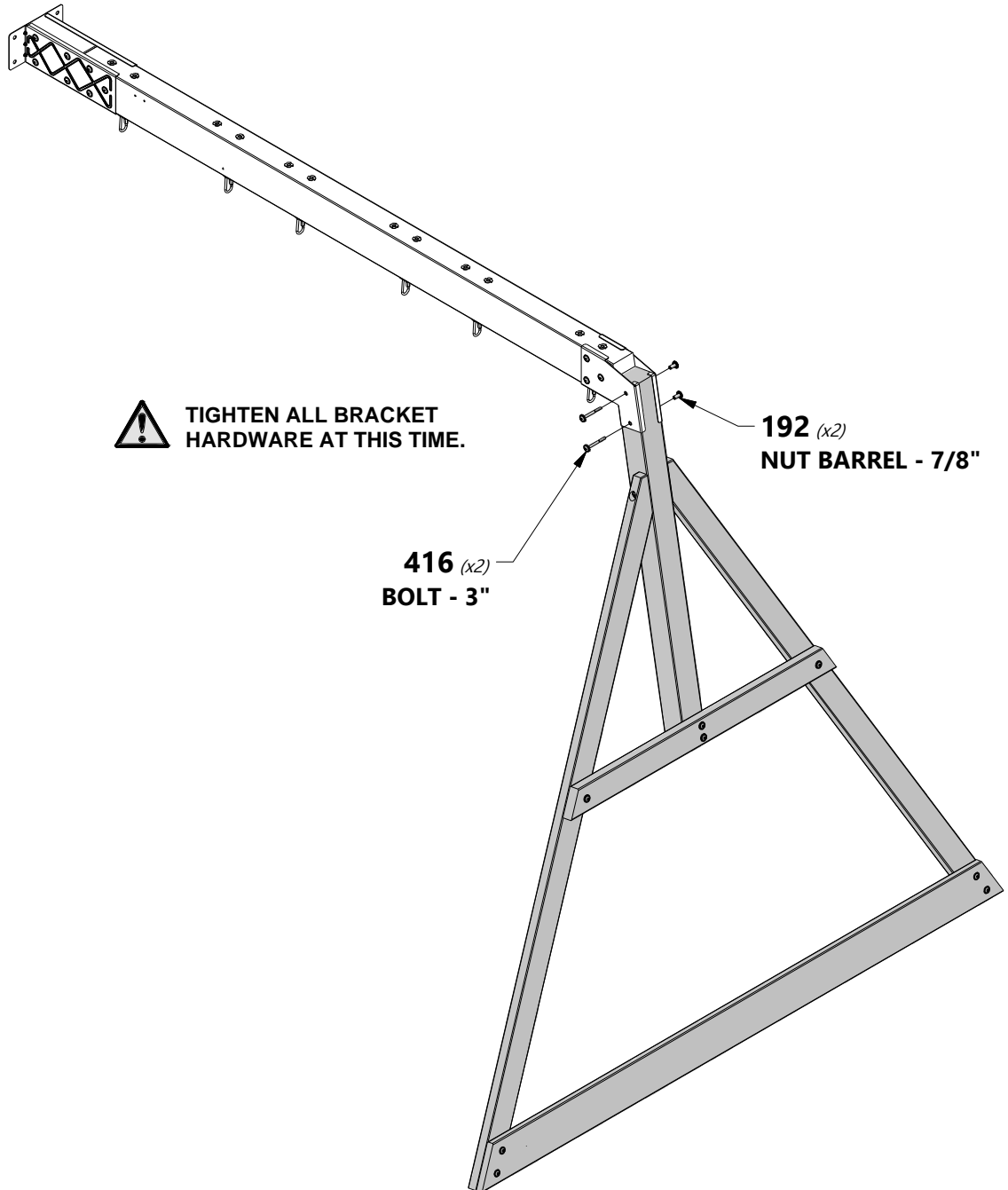
(1) END ASSEMBLY



H100416 | BOLT WH BLK
(2) | 5/16x3



H100192 | NUT BARREL WH BLK
(2) | 5/16x7/8





CROWS NEST

STEP 1



E3 | CROWS NEST FLOOR RAIL - W4L12690
(2) | 1 3/8"x3 3/8"x33 1/2" (36x86x852)



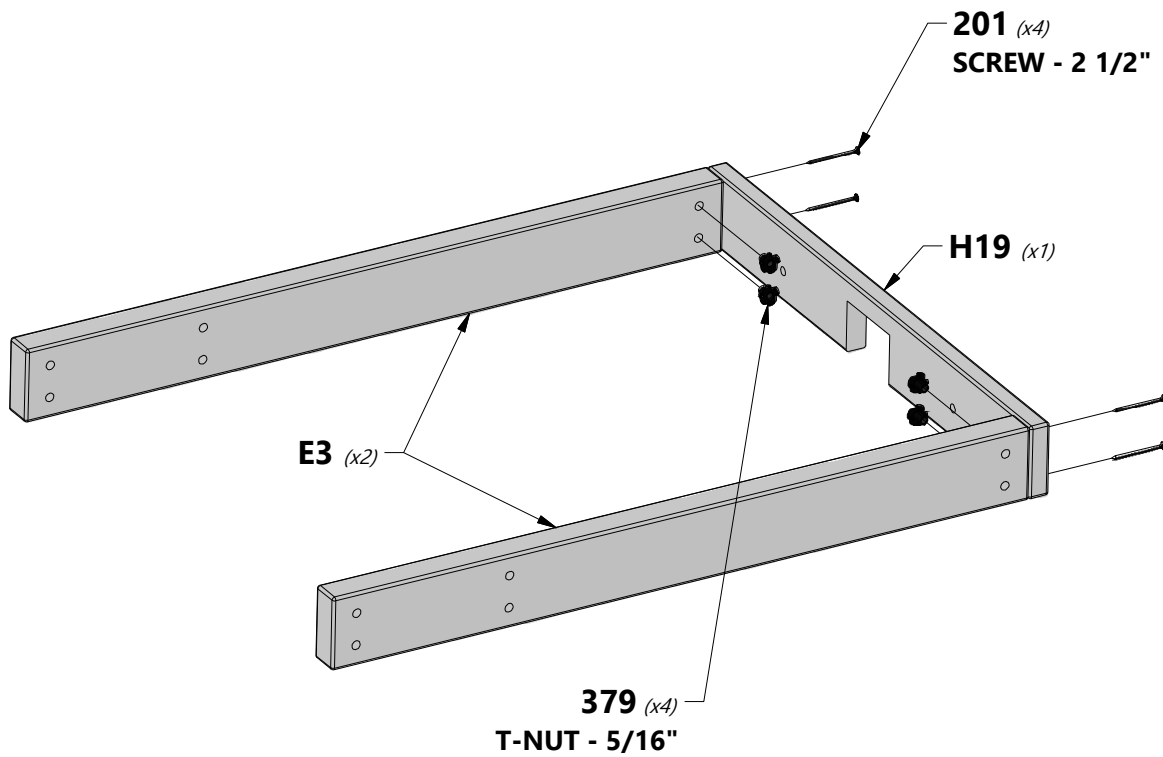
H19 | CROWS NEST FLOOR RAIL - W4L12724
(1) | 1"x3 3/8"x27" (24x86x686)



H100201 | SCREW PFH BLK
(4) | 8x2-1/2



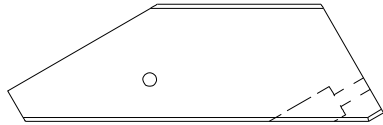
H100379 | T-NUT BLK
(4) | 5/16





CROWS NEST

STEP 2



E6 | CROWS NEST DECK BRACE - W4L12691
(2) | 1 7/16"x3 3/8"x10 7/8" (36x86x276)



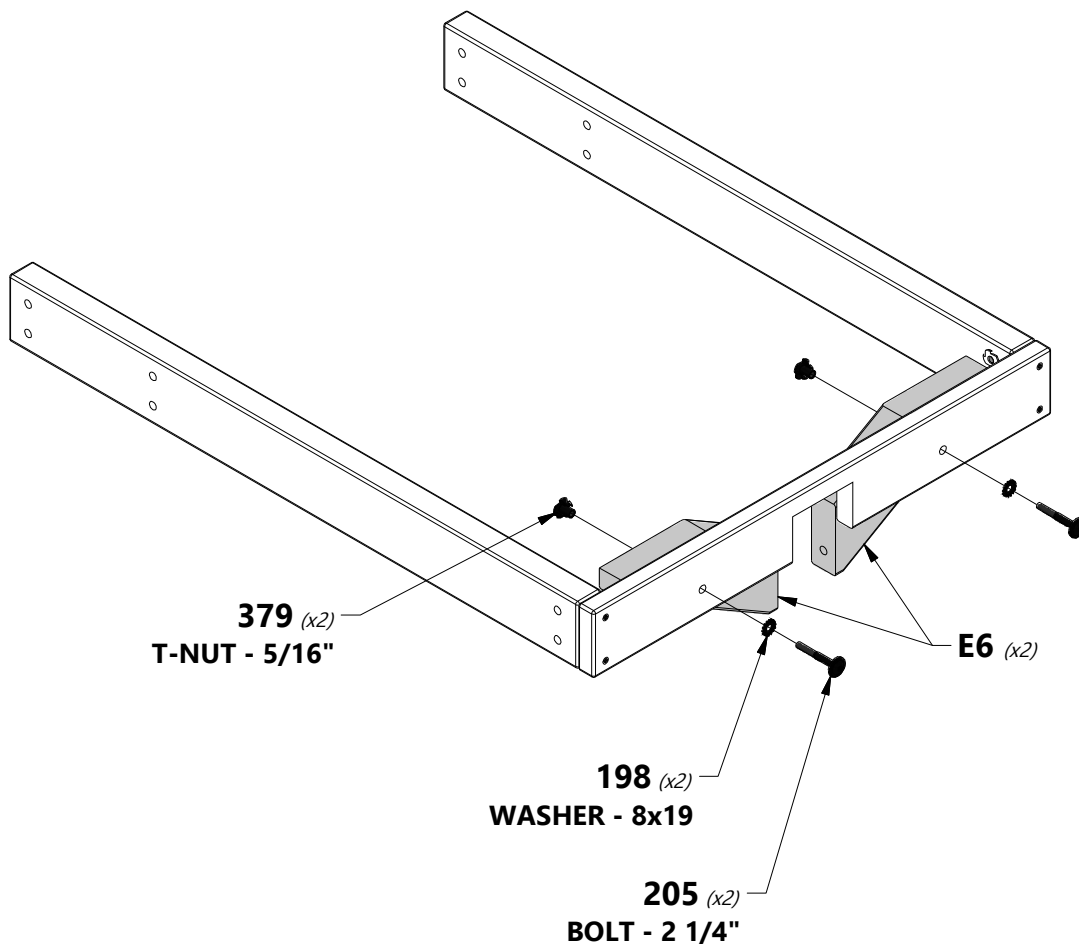
H100205 | BOLT WH BLK
(2) | 5/16x2-1/4



H100379 | T-NUT BLK
(2) | 5/16



H100198 | WASHER LOCK EXT BLK
(2) | 8x19





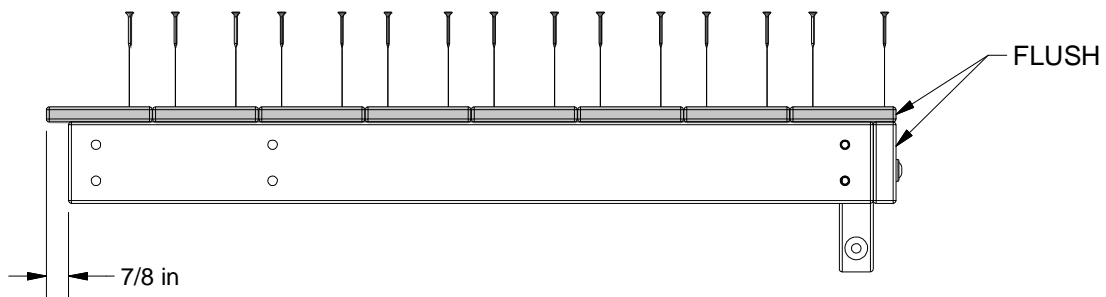
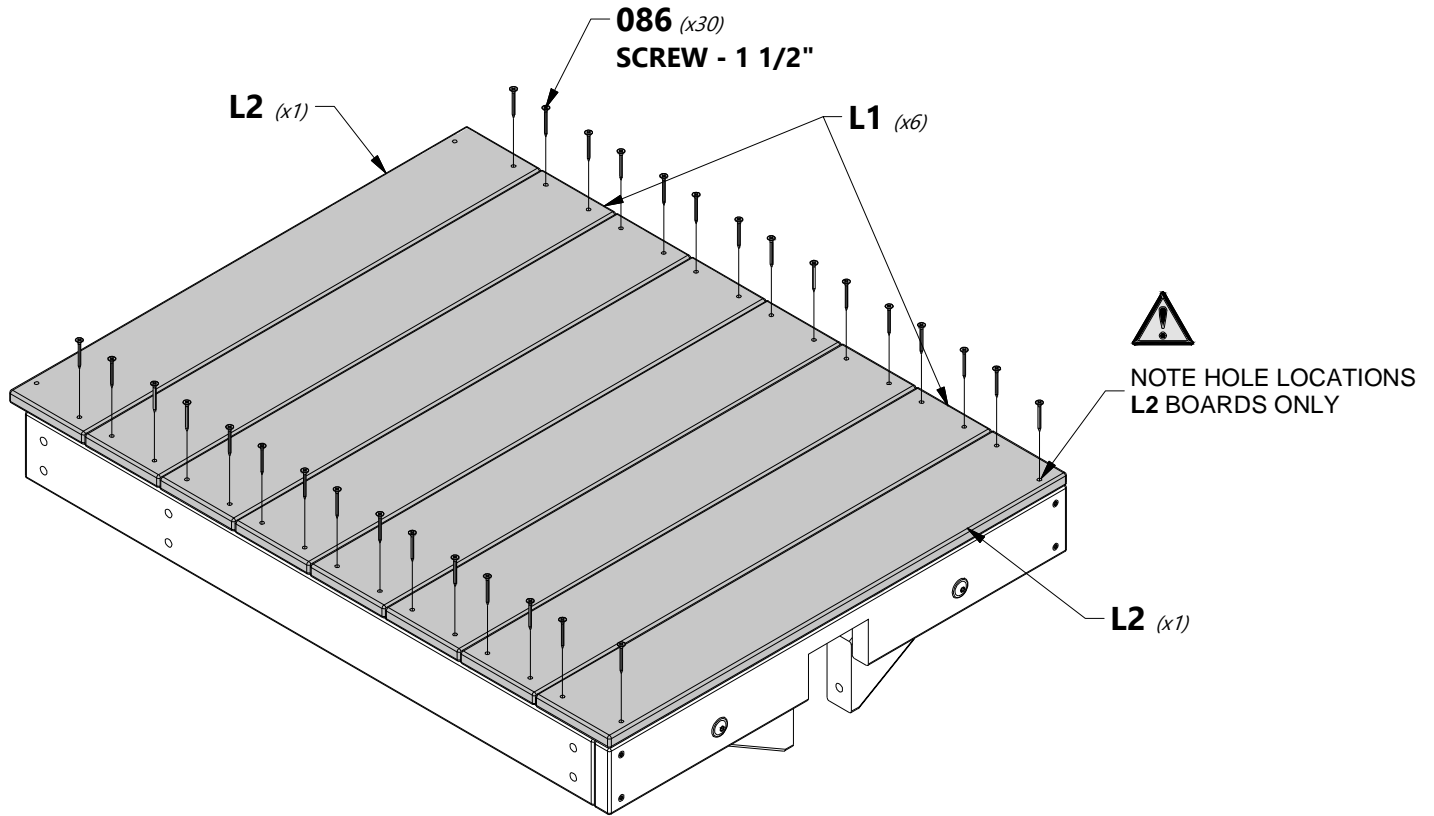
L1 CROWS NEST FLOOR BOARD - W4L12742
(6) 5/8"x4 3/8"x27" (16x112x686)



L2 CROWS NEST FLOOR BOARD - W4L12705
(2) 5/8"x4 3/8"x27" (16x112x686)



H100086 SCREW PFH
(30) 8x1 1/2

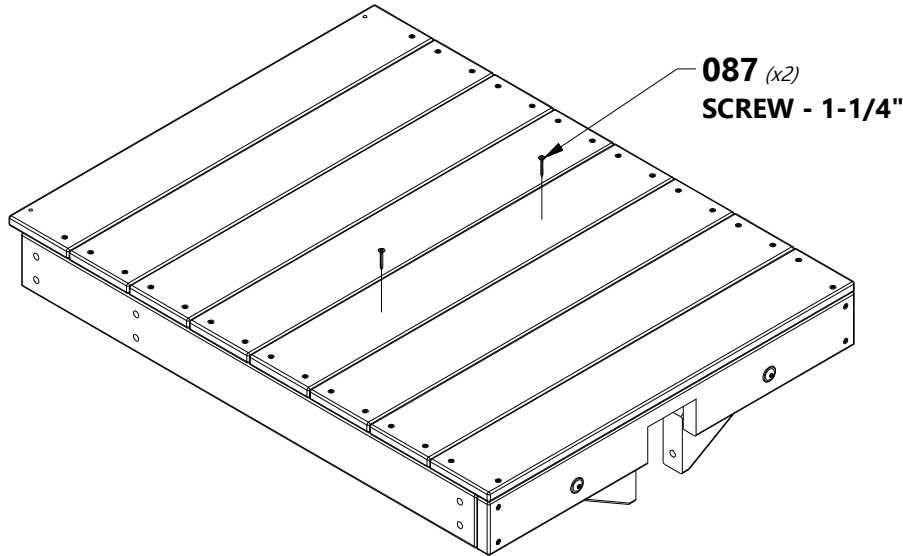




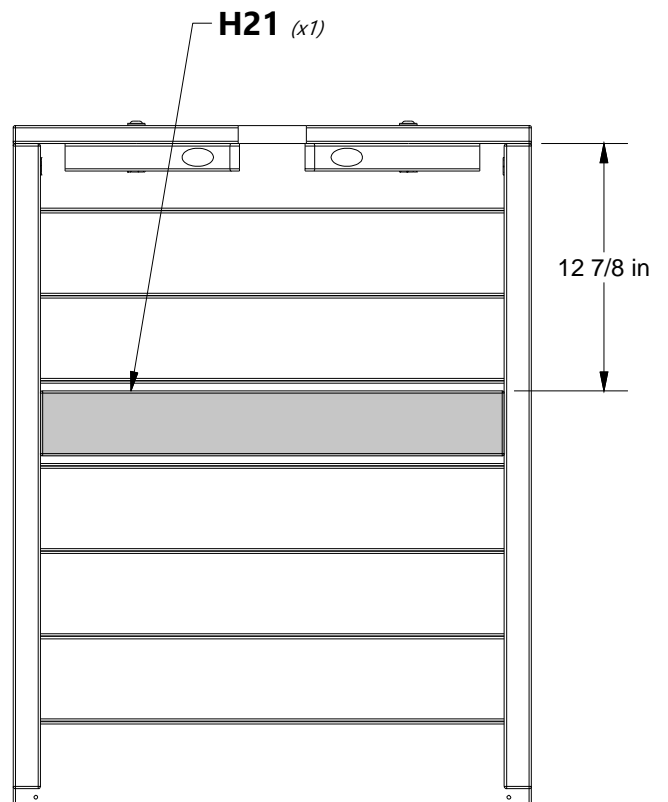
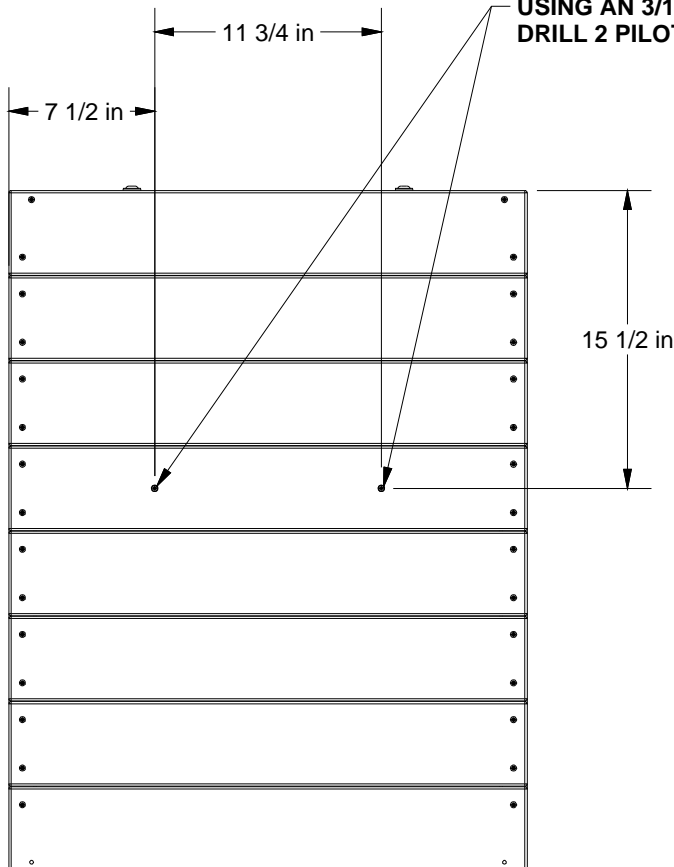
H21 | CROWS NEST FLOOR SUPPORT - W4L12726
(1) 1"x3 3/8"x24 1/8" (24x86x614)

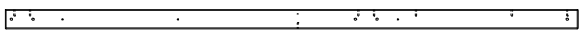
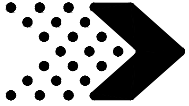


H100087 | SCREW PFH
(2) 8x1 1/4

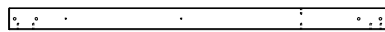


**MARK LOCATIONS SHOWN.
USING AN 3/16" DRILL BIT
DRILL 2 PILOT HOLES.**

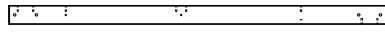




B1 | TOWER LEG - W4L12680
(1) 3"x3"x89 1/2" (76x76x2274)



E1 | TOWER LEG - W4L12688
(1) 1 3/8"x3 3/8"x59" (36x86x1500)



B3 | TOWER LEG - W4L12682
(1) 3"x3"x59" (76x76x1500)



A4M01150 | VERTICAL ID PLATE
(1)



G7 | BOTTOM FLOOR RAIL - W4L12704
(1) 1"x5 1/4"x80" (24x134x2032)



G1 | TOP FLOOR RAIL - W4L12698
(1) 1"x5 1/4"x80" (24x134x2032)



H100415 | BOLT WH BLK
(8) 5/16x3 3/4



H100205 | BOLT WH BLK
(4) 5/16x2-1/4



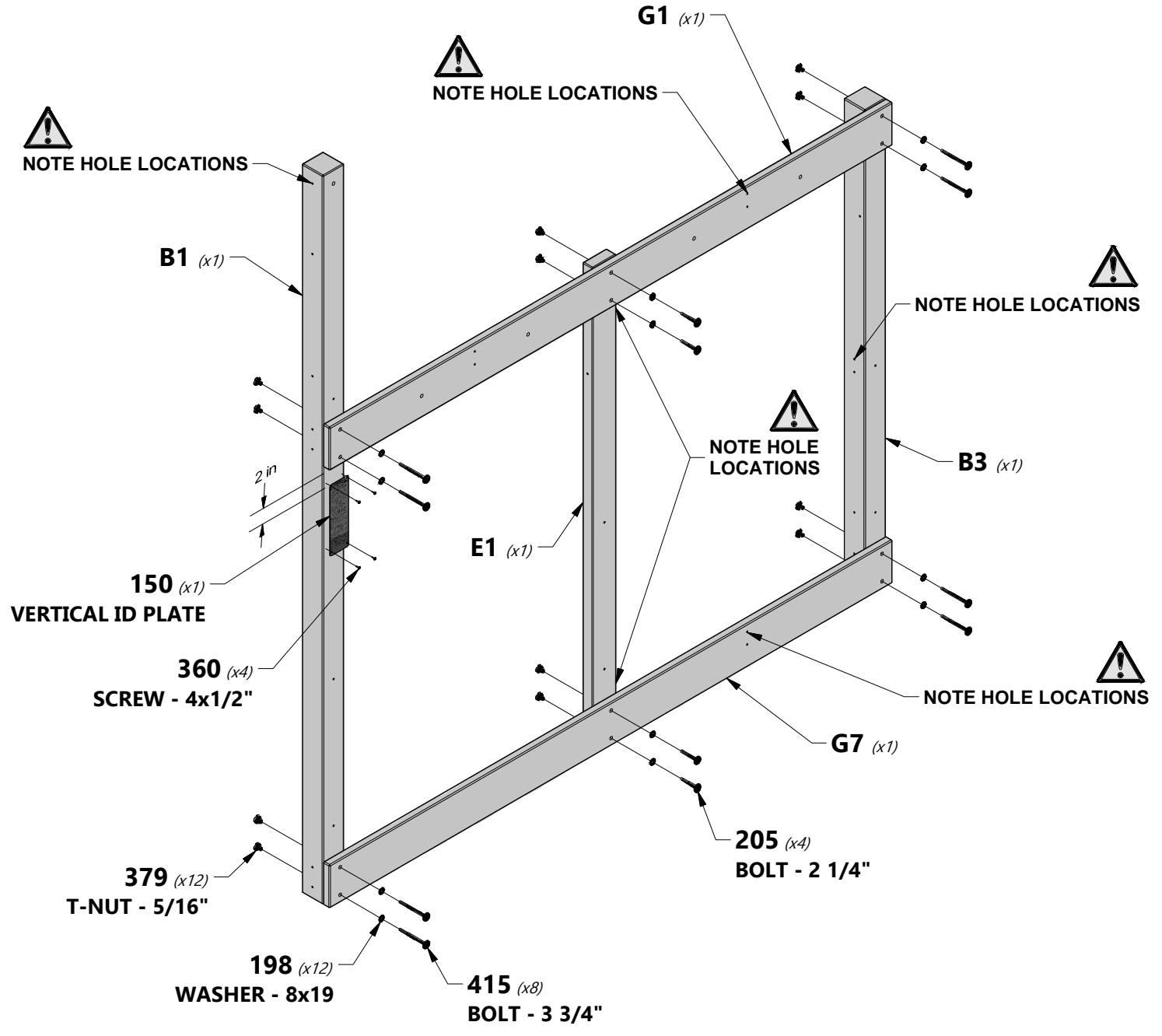
H100198 | WASHER LOCK
(12) EXT BLK
8x19

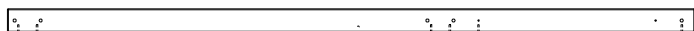


H100379 | T-NUT BLK
(12) 5/16

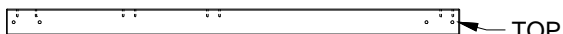


H100360 | SCREW PPH WZ
(4) 4x1/2

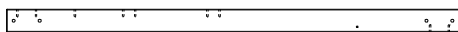




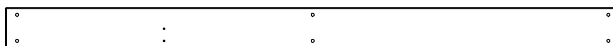
B2 | TOWER LEG - W4L12681
(1) | 3"x3"x89 1/2" (76x76x2274)



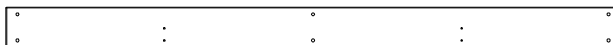
E2 | TOWER LEG - W4L12689
(1) | 1 3/8"x3 3/8"x59" (36x86x1500)



B4 | TOWER LEG - W4L12683
(1) | 3"x3"x59" (76x76x1500)



G7 | BOTTOM FLOOR RAIL - W4L12704
(1) | 1"x5 1/4"x80" (24x134x2032)



G2 | TOP FLOOR RAIL - W4L12699
(1) | 1"x5 1/4"x80" (24x134x2032)



H100415 | BOLT WH BLK
(8) | 5/16x3 3/4



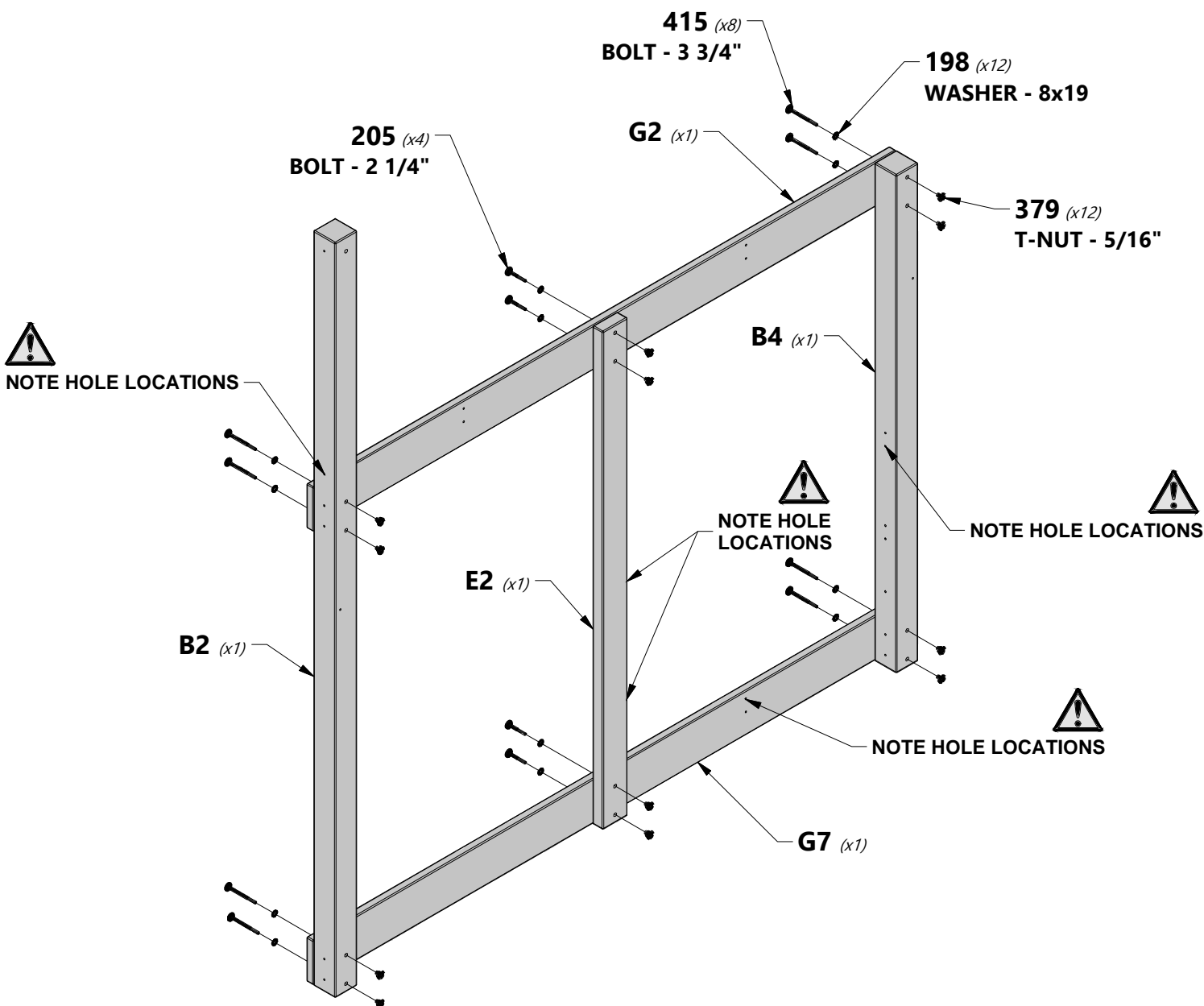
H100205 | BOLT WH BLK
(4) | 5/16x2-1/4



H100198 | WASHER LOCK
(12) | EXT BLK
8x19



H100379 | T-NUT BLK
(12) | 5/16





H28 | FRONT WALL RAIL - W4L12731
(1) | 1"x3 3/8"x60 1/2" (24x86x1537)



G6 | FLOOR RAIL - W4L12703
(1) | 1"x5 1/4"x60 1/2" (24x134x1537)



G3 | FLOOR RAIL - W4L12700
(1) | 1"x5 1/4"x60 1/2" (24x134x1537)



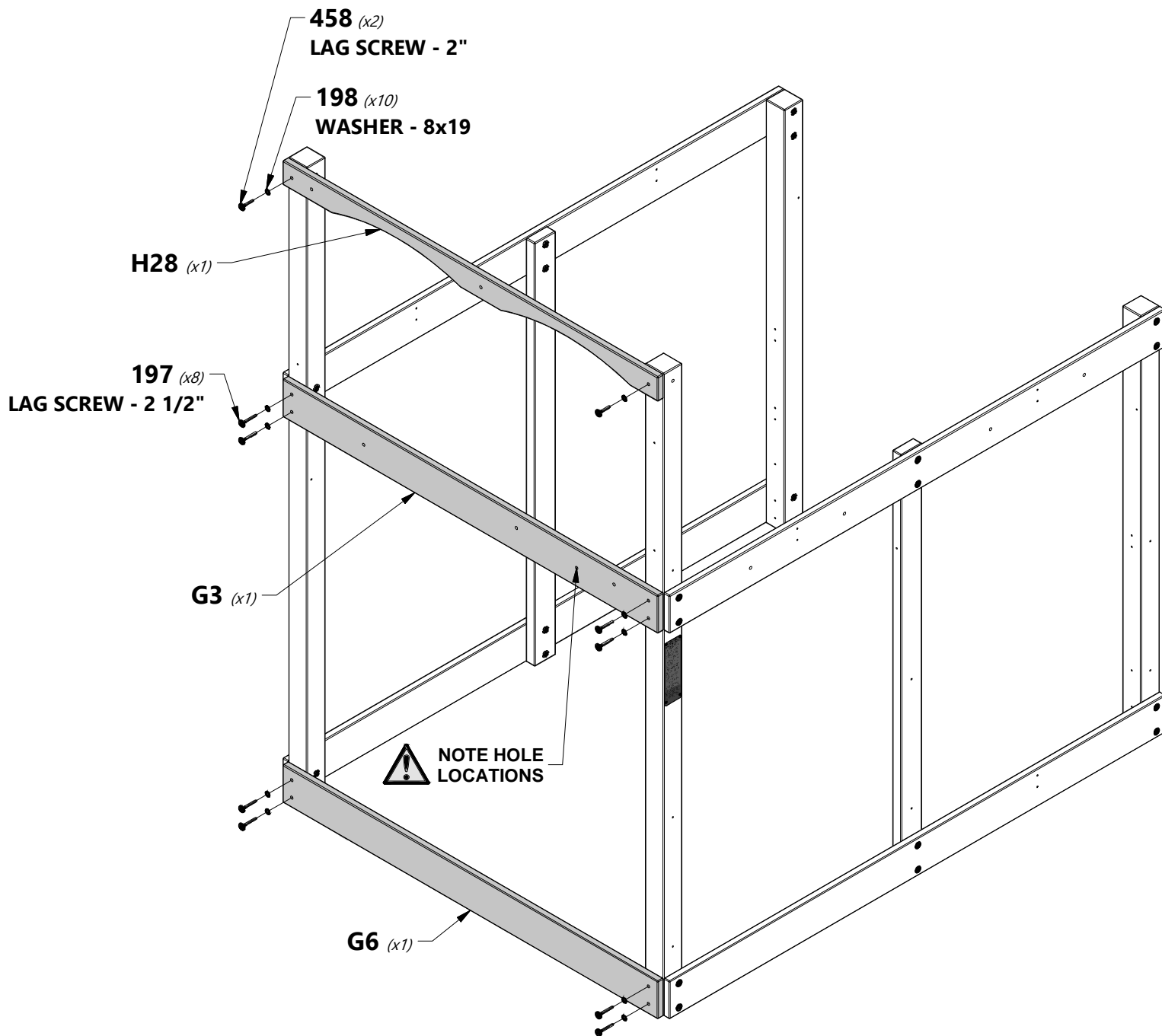
H100197 | LAG SCREW WH BLK
(8) | 5/16x2 1/2



H100458 | LAG SCREW WH BLK
(2) | 5/16x2



H100198 | WASHER LOCK
(10) | EXT BLK
8x19

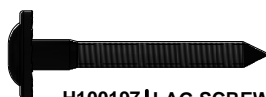




G4 | FLOOR RAIL - W4L12701
(1) 1"x5 1/4"x60 1/2" (24x134x1537)



K2 | FLOOR RAIL - W4L12738
(1) 5/8"x5 1/4"x60 1/2" (16x134x1537)



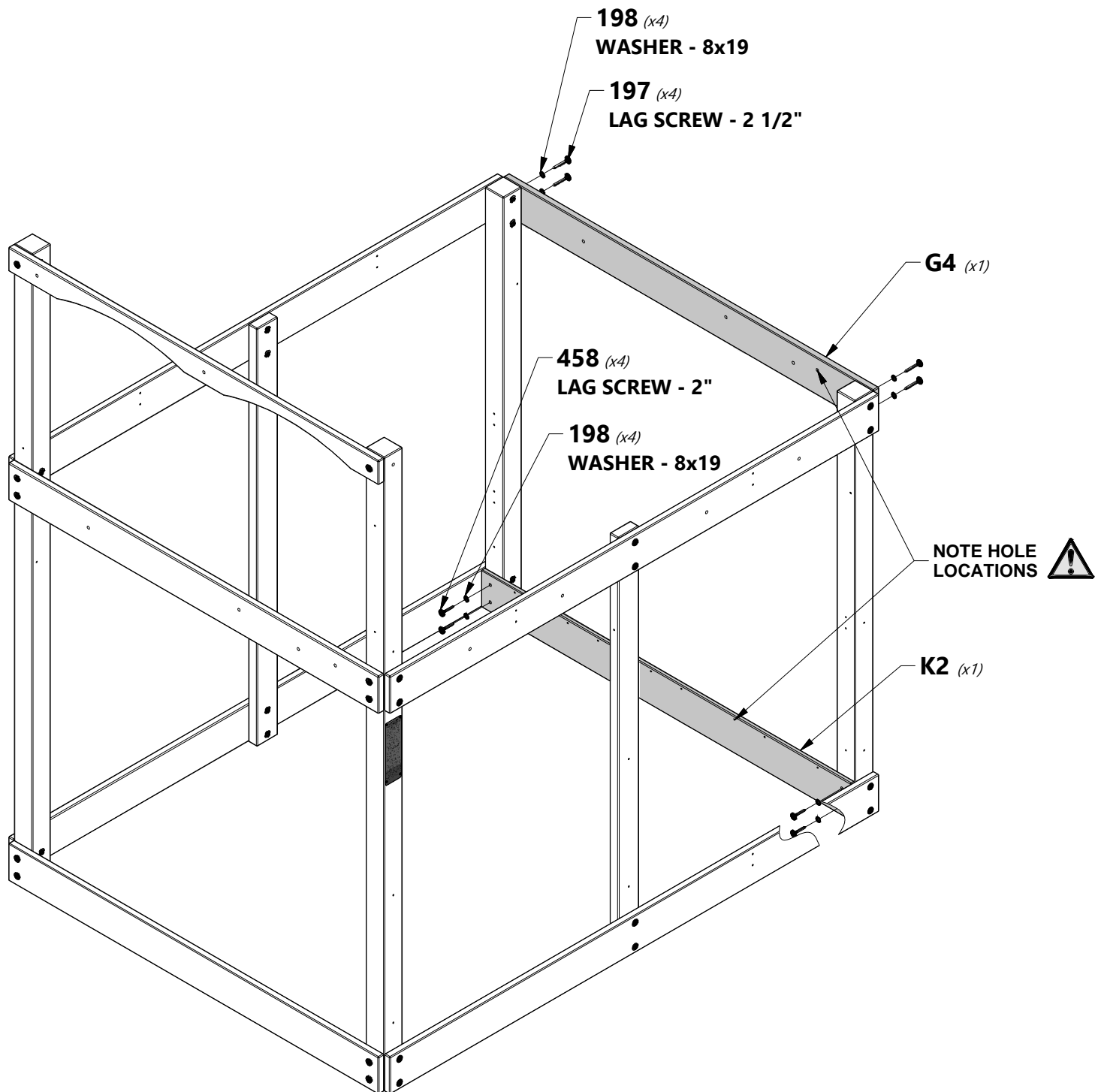
H100197 | LAG SCREW WH BLK
(4) 5/16x2 1/2

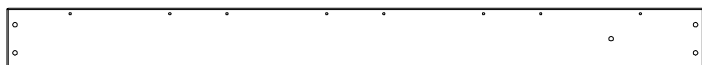


**H100198 | WASHER LOCK
EXT BLK**
(8) 8x19



H100458 | LAG SCREW WH BLK
(4) 5/16x2





K3 | FLOOR RAIL - W4L12739
(1) | 5/8"x5 1/4"x60 1/2" (16x134x1537)



H26 | FLOOR JOIST - W4L12729
(1) | 1"x3 3/8"x60 1/2" (24x86x1537)



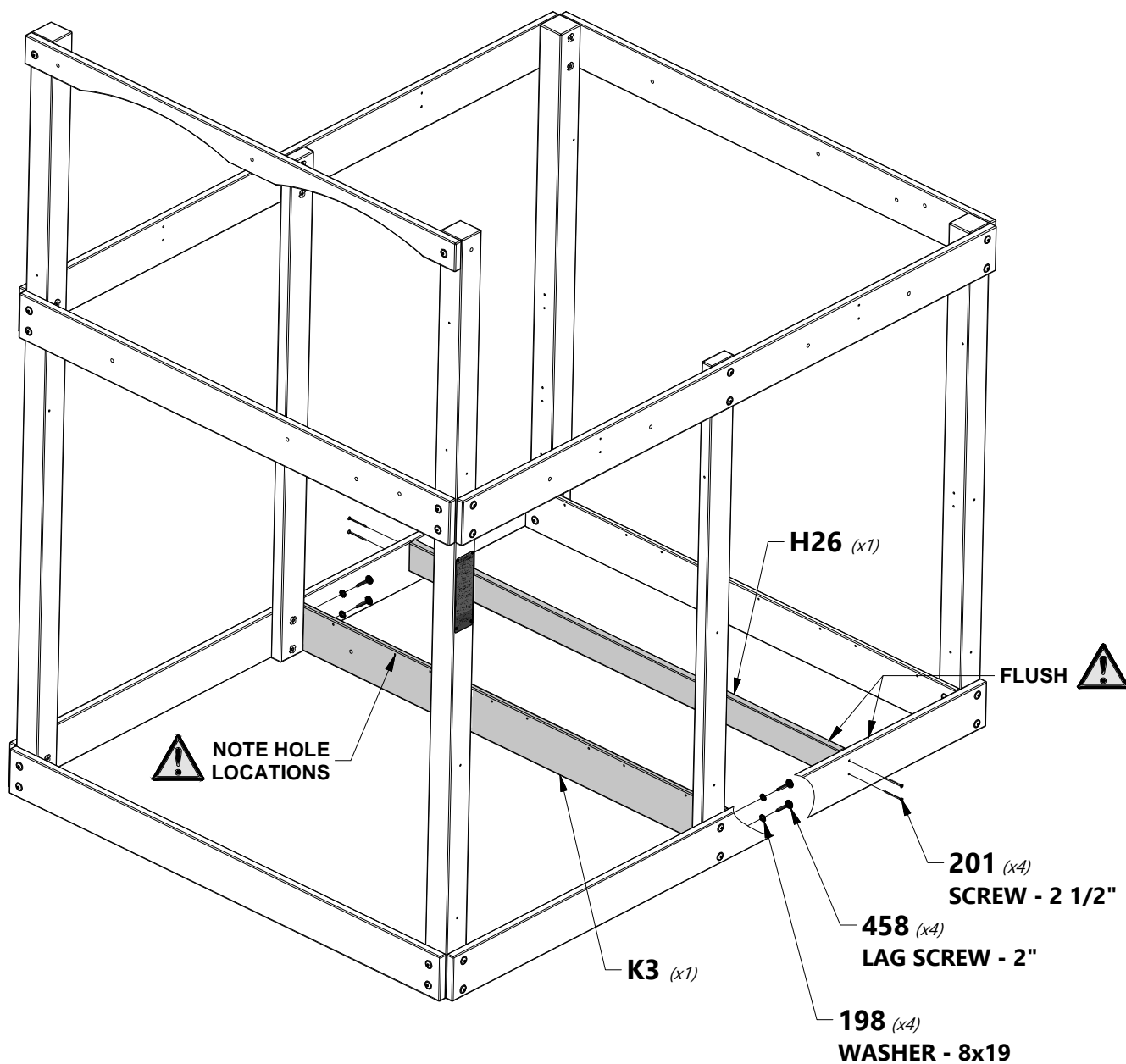
H100458 | LAG SCREW WH BLK
(4) | 5/16x2

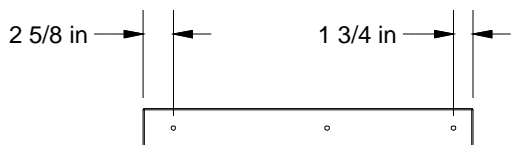


H100198 | WASHER LOCK
(4) | EXT BLK
8x19



H100201 | SCREW PFH BLK
(4) | 8x2-1/2





H27 | PICNIC TABLE SUPPORT - W4L12730
 (1) | 1"x3 3/8"x28 5/8" (24x86x728)



H100407 | BOLT WH BLK
 (1) | 5/16x1 1/2



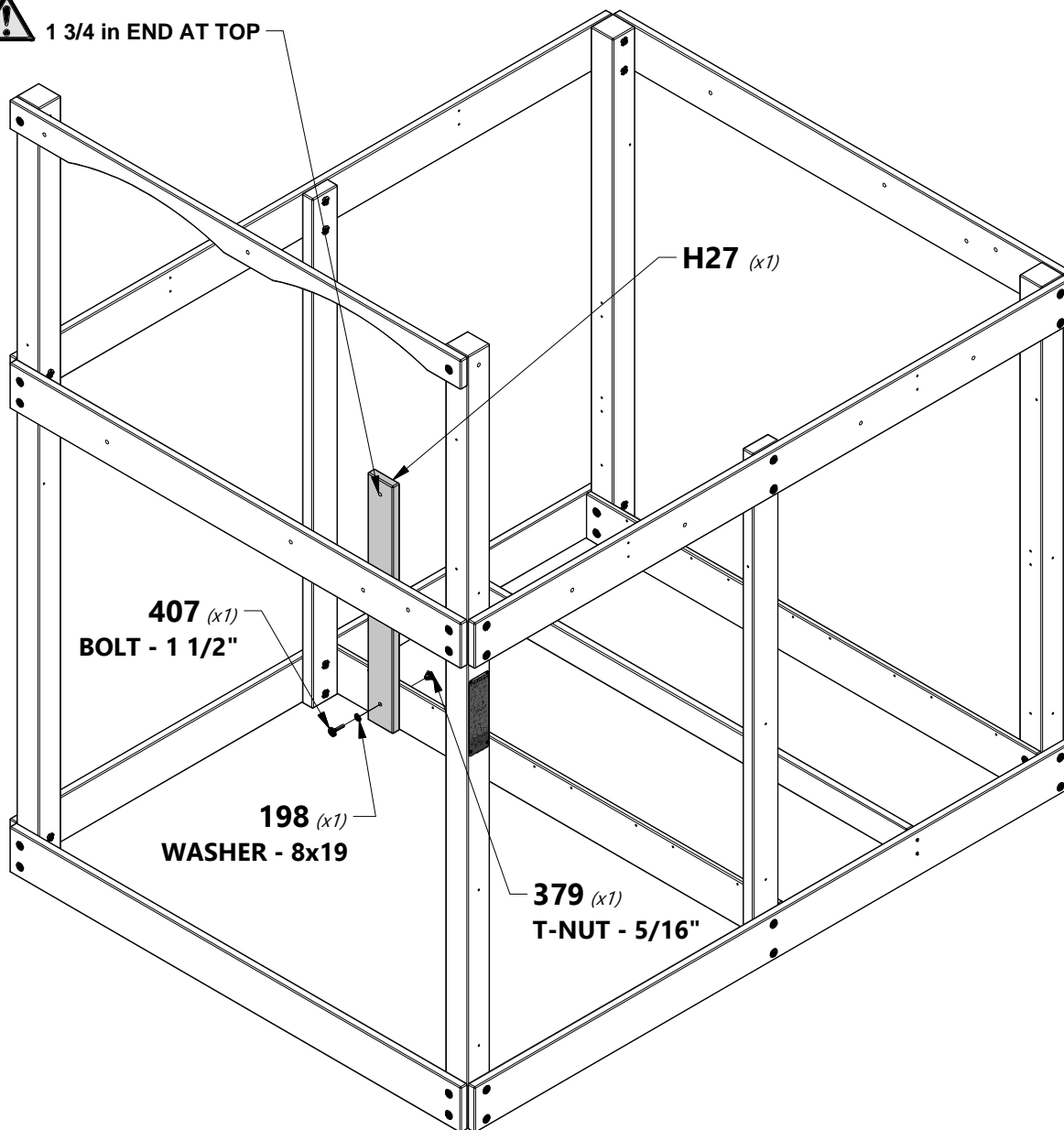
H100198 | WASHER LOCK
 (1) | EXT BLK
 8x19



H100379 | T-NUT BLK
 (1) | 5/16



1 3/4 in END AT TOP





FP1 | BOTTOM FLOOR PANEL - W2A02648
(4) | 1 5/8"x13 1/2"x35 3/8" (40x344x897)



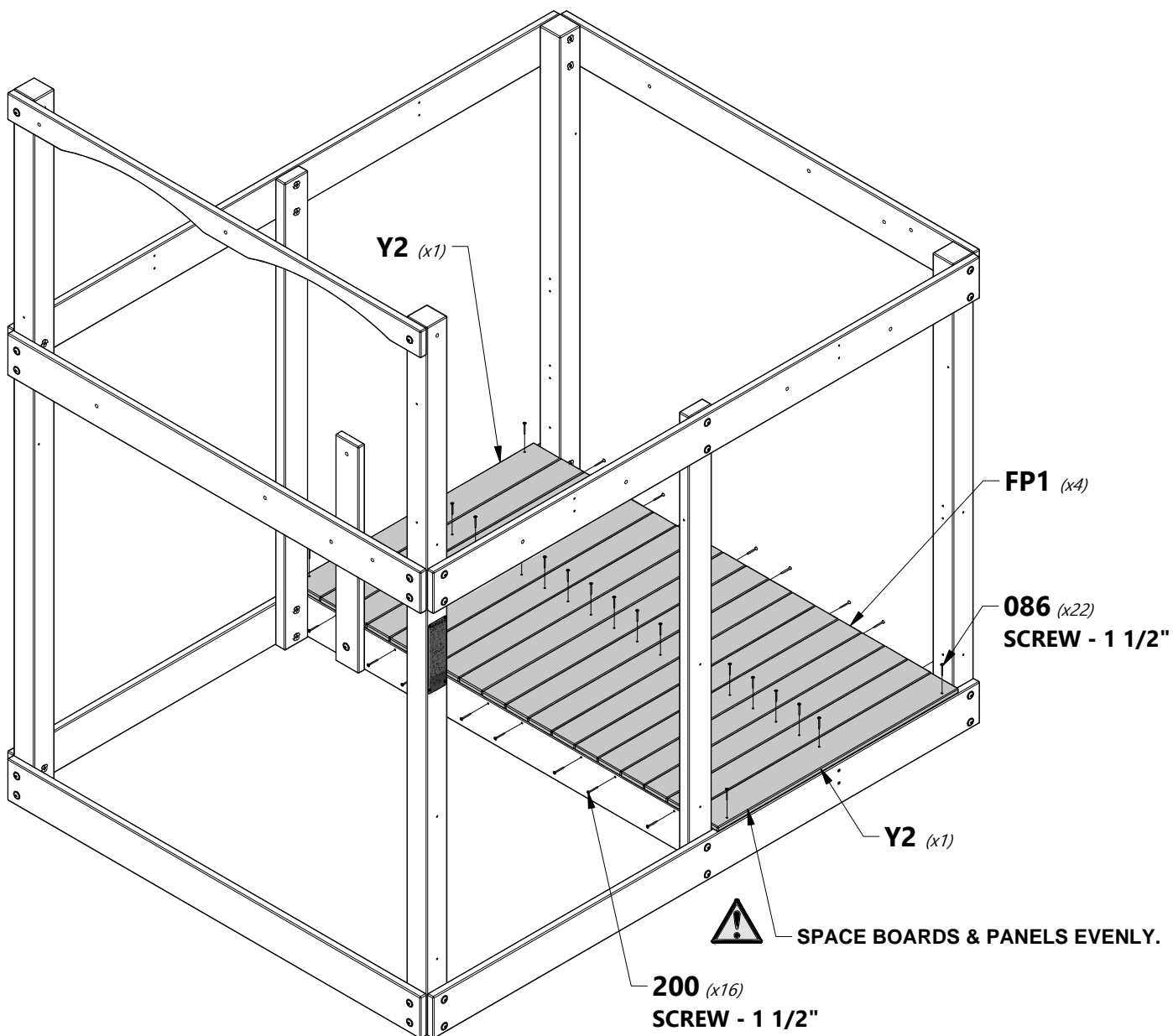
Y2 | BOTTOM FLOOR BOARD - W4L12786
(2) | 5/8"x4"x35 1/4" (16x102x895)



H100086 | SCREW PFH
(22) | 8x1 1/2



H100200 | SCREW PFH BLK
(16) | 8x1 1/2





FORT ASSEMBLY

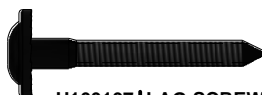
STEP 8



M3 | BOTTOM WALL RAIL - W4L12745
(1) | 5/8"x3 3/8"x60 1/2" (16x86x1537)



H3 | PICNIC TABLE RAIL - W4L12708
(1) | 1"x3 3/8"x67 1/4" (24x86x1708)



H100197 | LAG SCREW WH BLK
(4) | 5/16x2 1/2



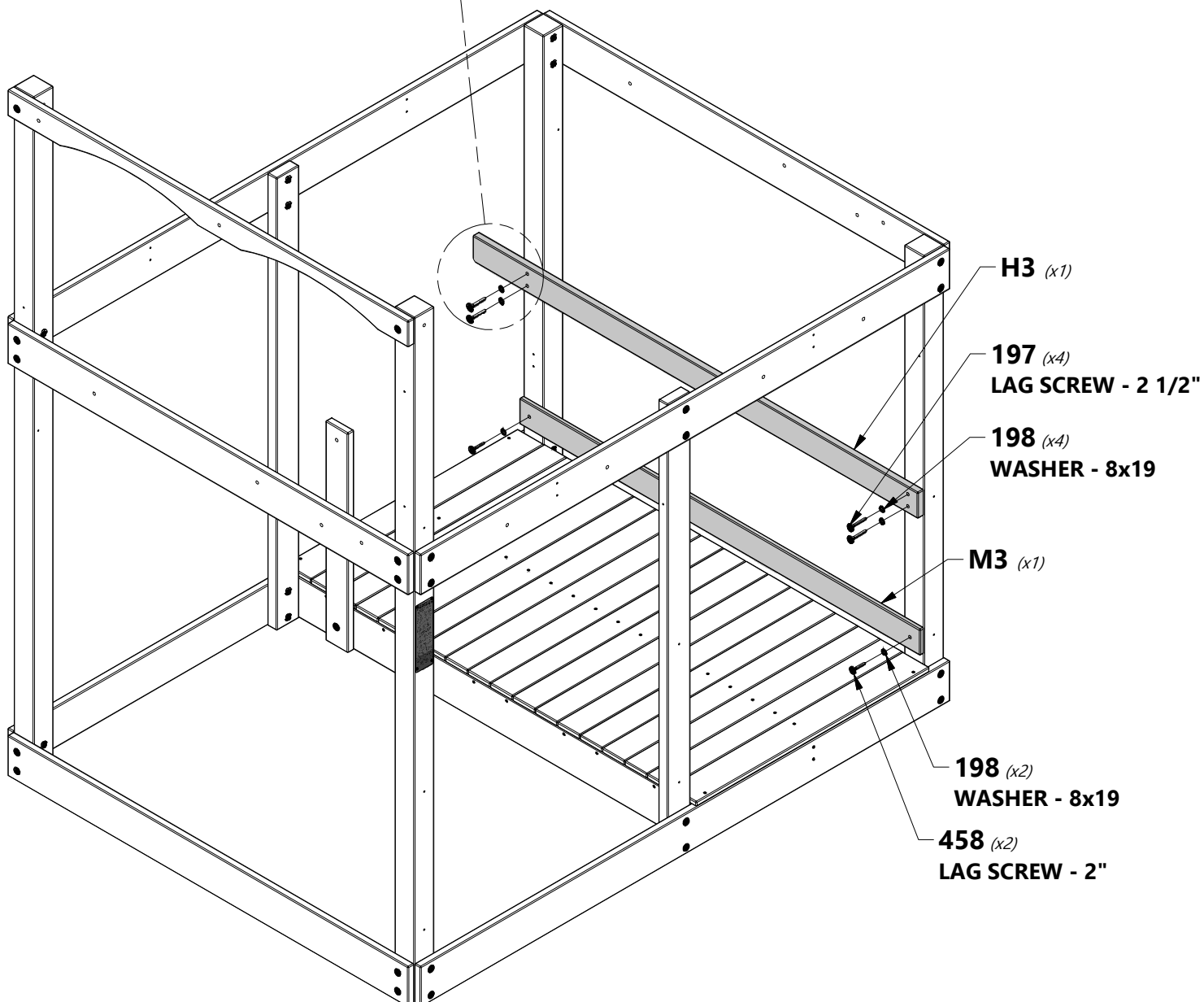
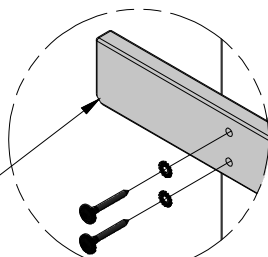
H100198 | WASHER LOCK
(6) | EXT BLK
8x19



H100458 | LAG SCREW WH BLK
(2) | 5/16x2



**NOTE ANGLE CUT
FACES DOWNWARD**

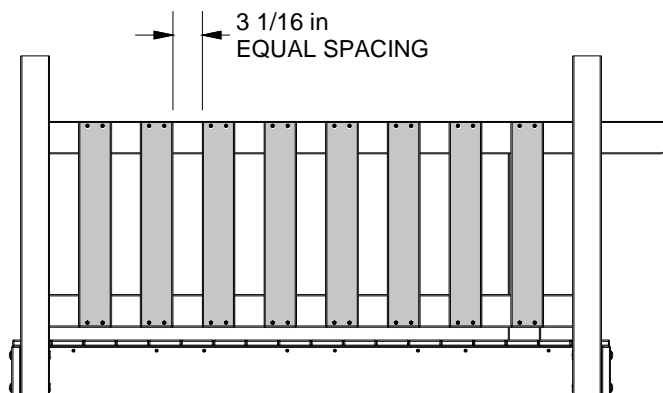




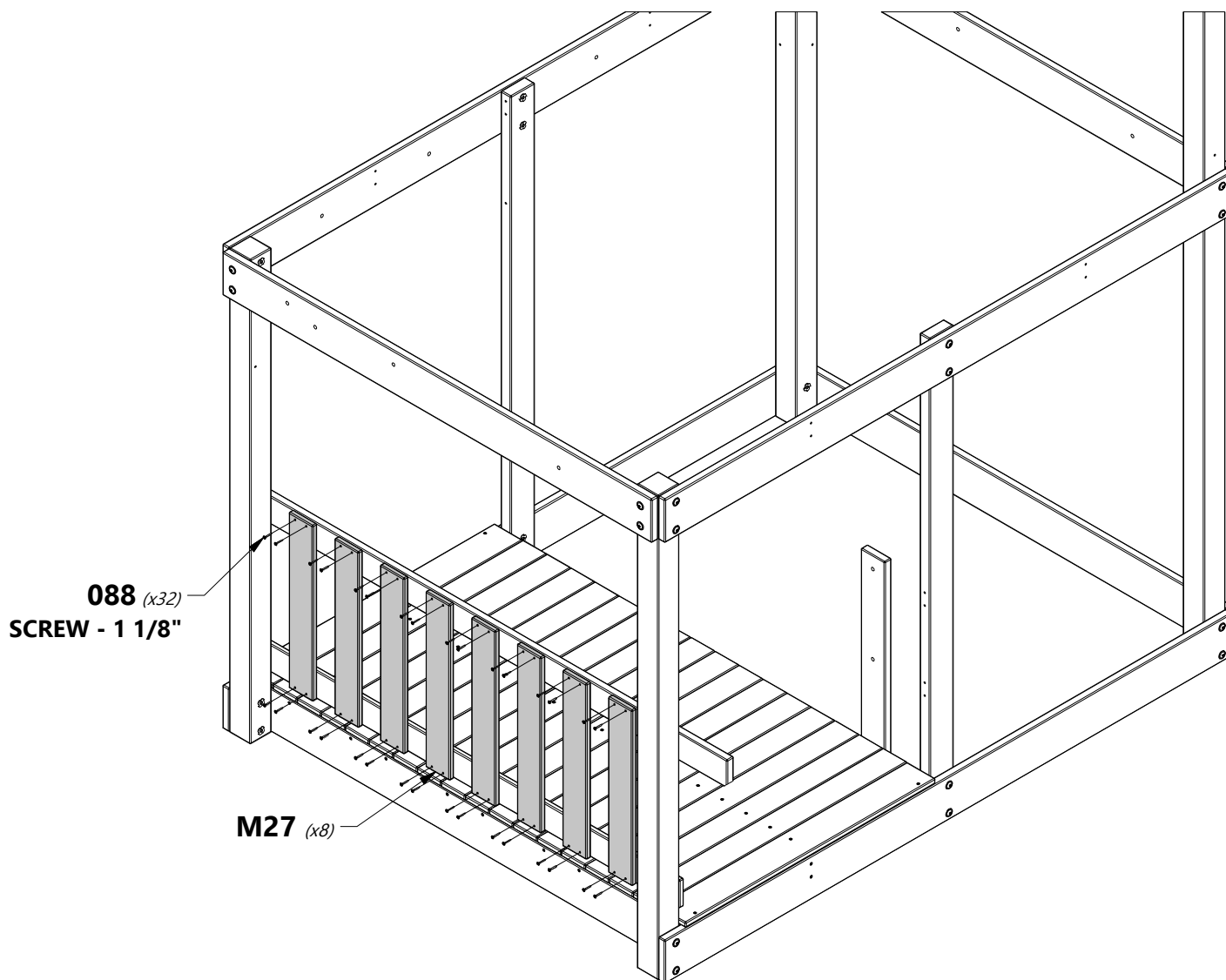
M27 | BOTTOM WALL BOARD - W4L12766
(8) | 5/8"x3 3/8"x21 3/8" (16x86x544)

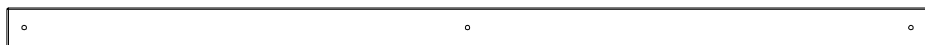


H100088 | SCREW PFH
(32) | 8x1 1/8



NOTE:
SPACING NOT LESS THAN 3 1/16 in,
& NO MORE THAN 3 1/4 in.





M2 | BOTTOM WALL RAIL - W4L12744
(2) | 5/8"x3 3/8"x80" (16x86x2032)



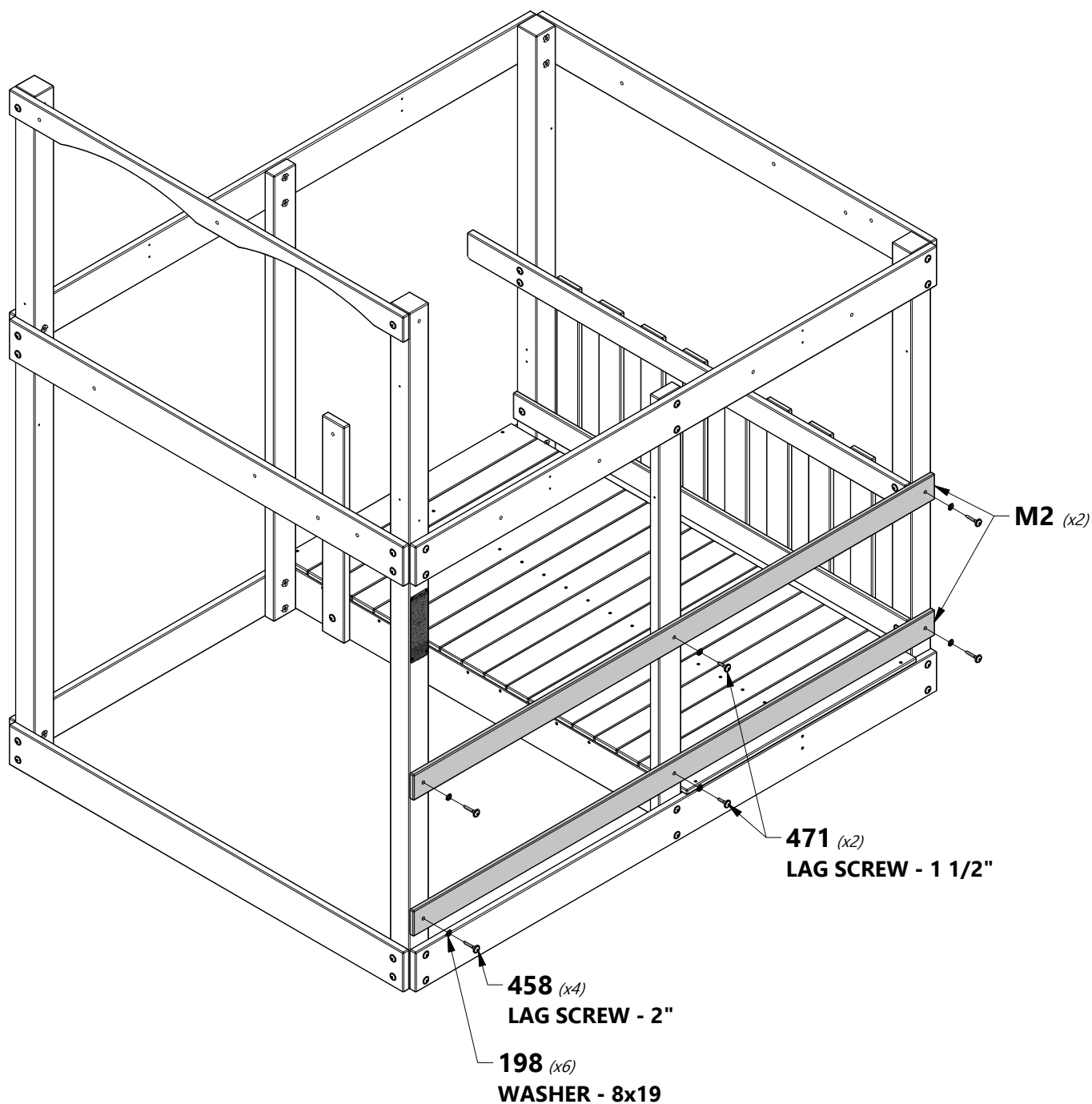
H100458 | LAG SCREW WH BLK
(4) | 5/16x2



H100198 | WASHER LOCK
(6) | EXT BLK
8x19



H100471 | LAG SCREW WH BLK
(2) | 5/16x1 1/2

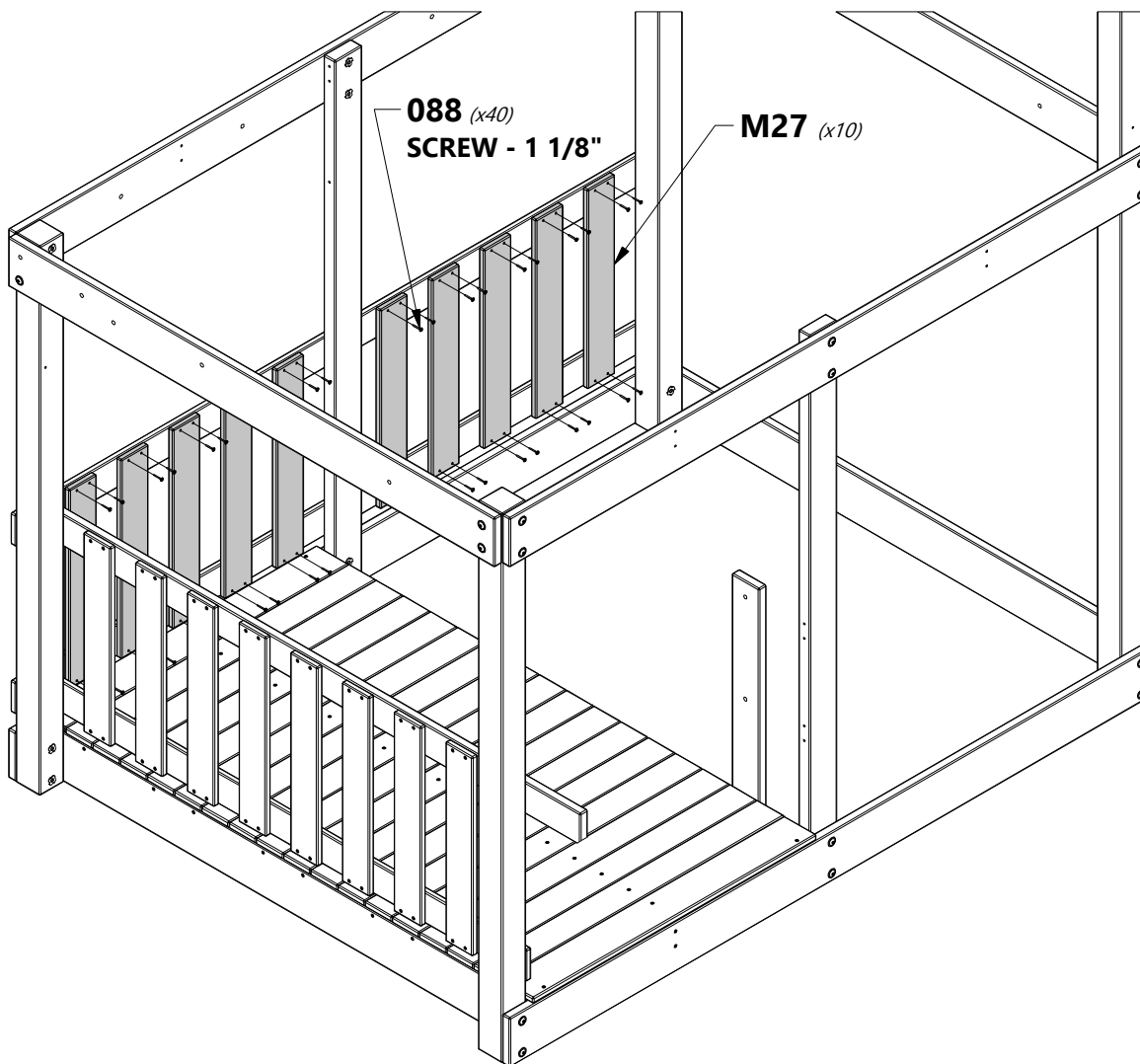
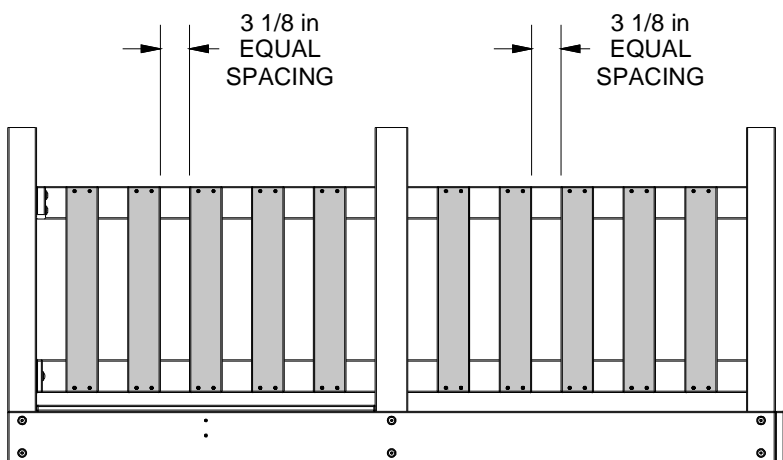




M27 | **BOTTOM WALL BOARD - W4L12766**
(10) 5/8"x3 3/8"x21 3/8" (16x86x544)



H100088 | **SCREW PFH**
(40) 8x1 1/8





H16 | PICNIC TABLE SEAT RAIL - W4L12721
(1) | 1"x3 3/8"x17 1/2" (24x86x444)



H100197 | LAG SCREW WH BLK
(2) | 5/16x2 1/2



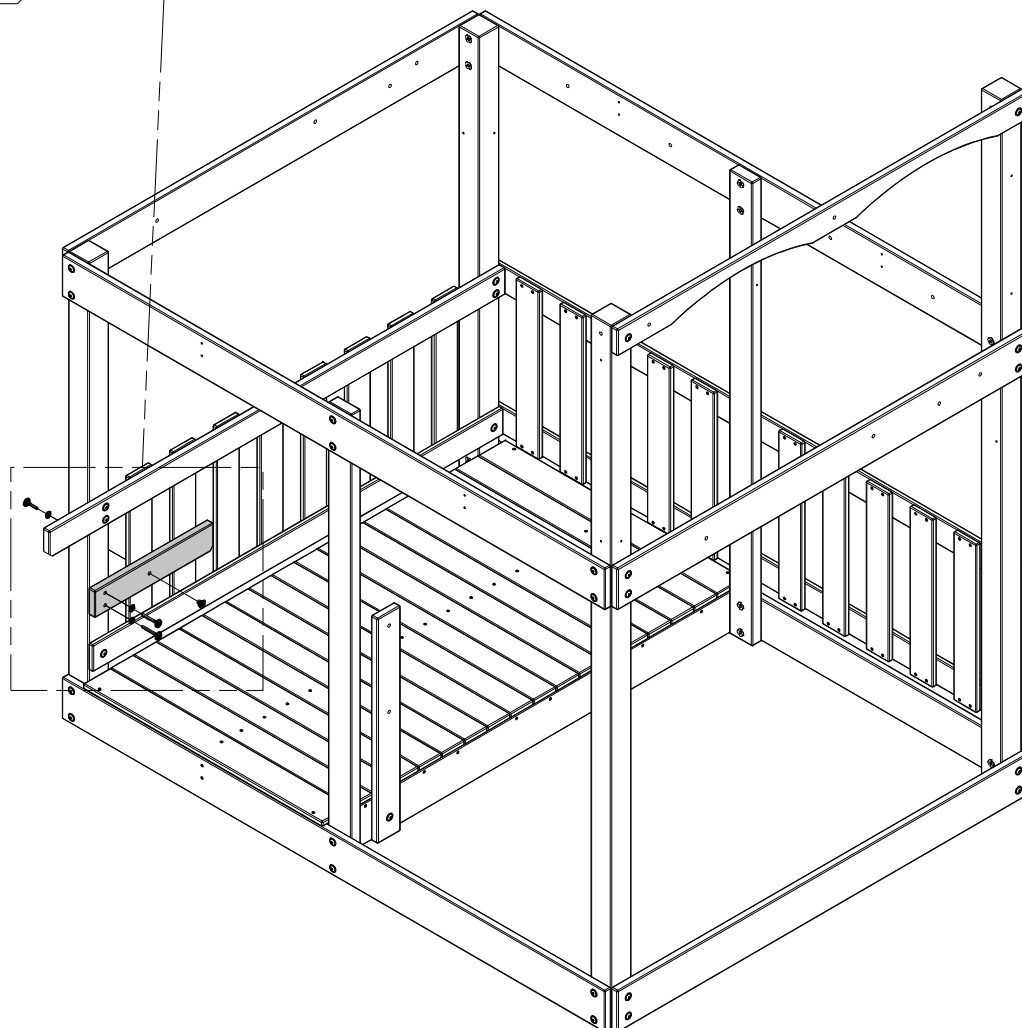
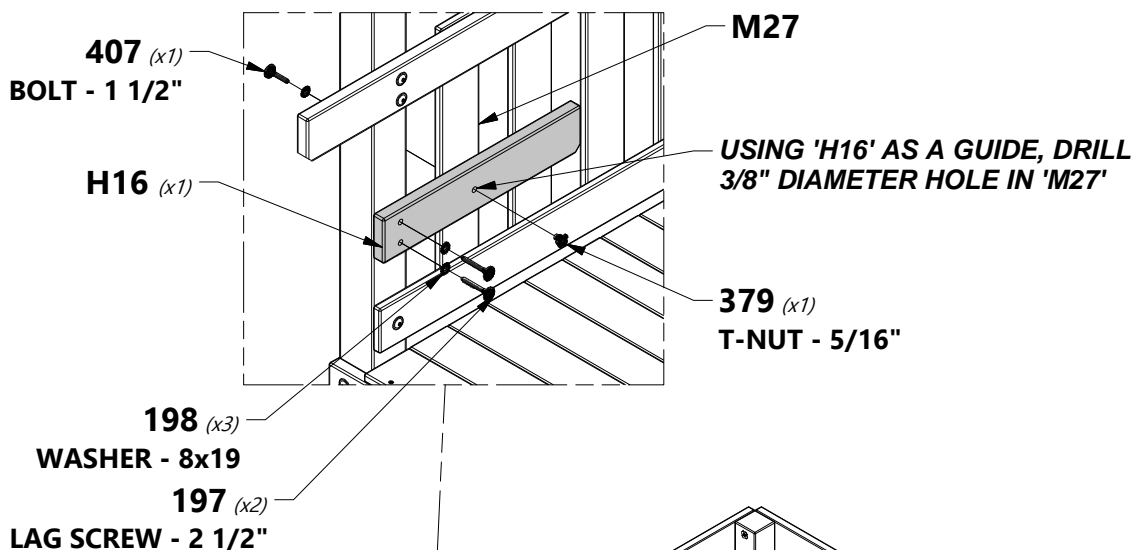
H100407 | BOLT WH BLK
(1) | 5/16x1 1/2



H100198 | WASHER LOCK
(3) | EXT BLK
8x19



H100379 | T-NUT BLK
(1) | 5/16





H17 | PICNIC TABLE SEAT RAIL - W4L12722
(1) | 1"x3 3/8"x17 1/2" (24x86x444)



H100197 | LAG SCREW WH BLK
(2) | 5/16x2 1/2



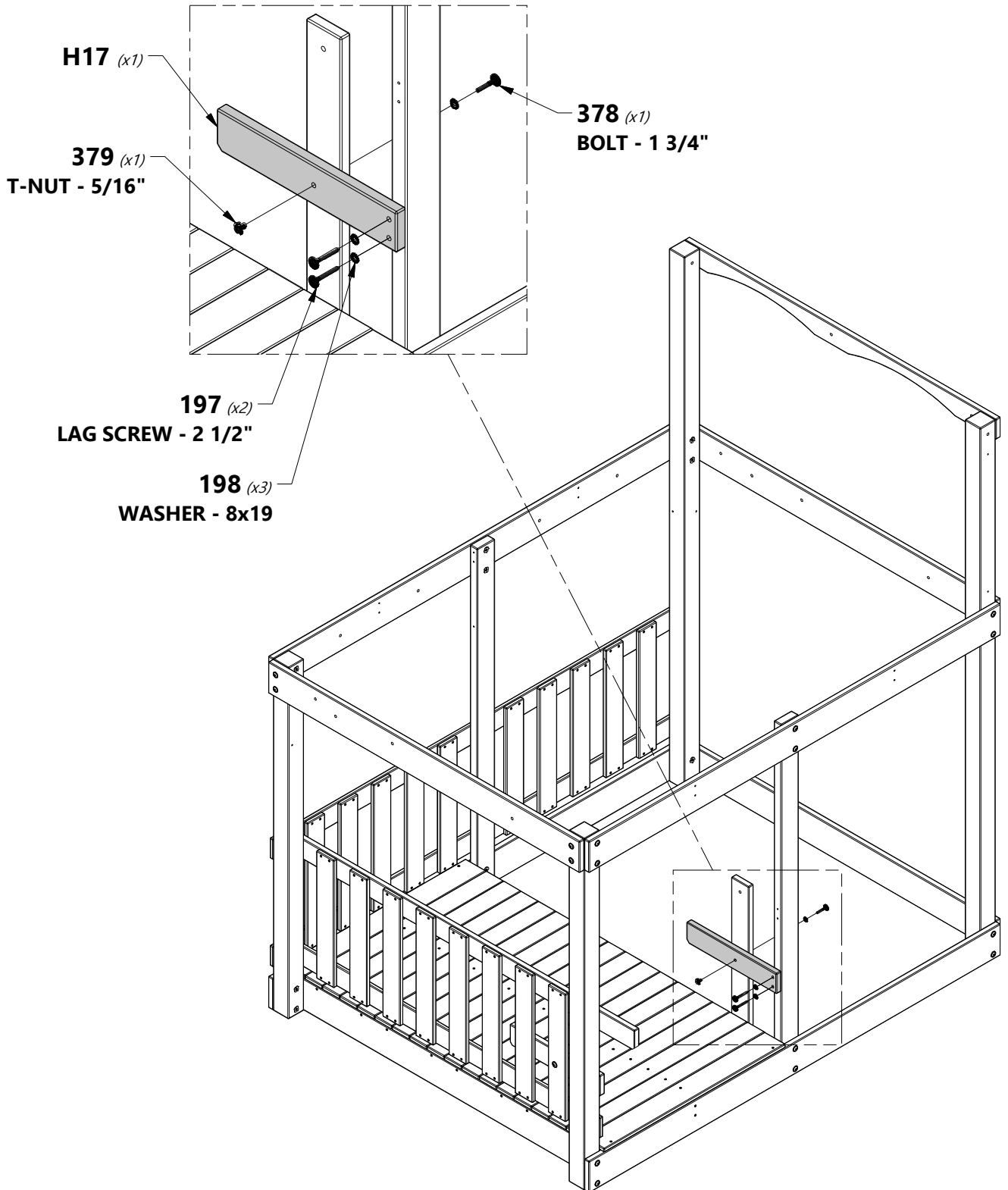
H100378 | BOLT WH BLK
(1) | 5/16x1 3/4



H100198 | WASHER LOCK
(3) | EXT BLK
8x19



H100379 | T-NUT BLK
(1) | 5/16

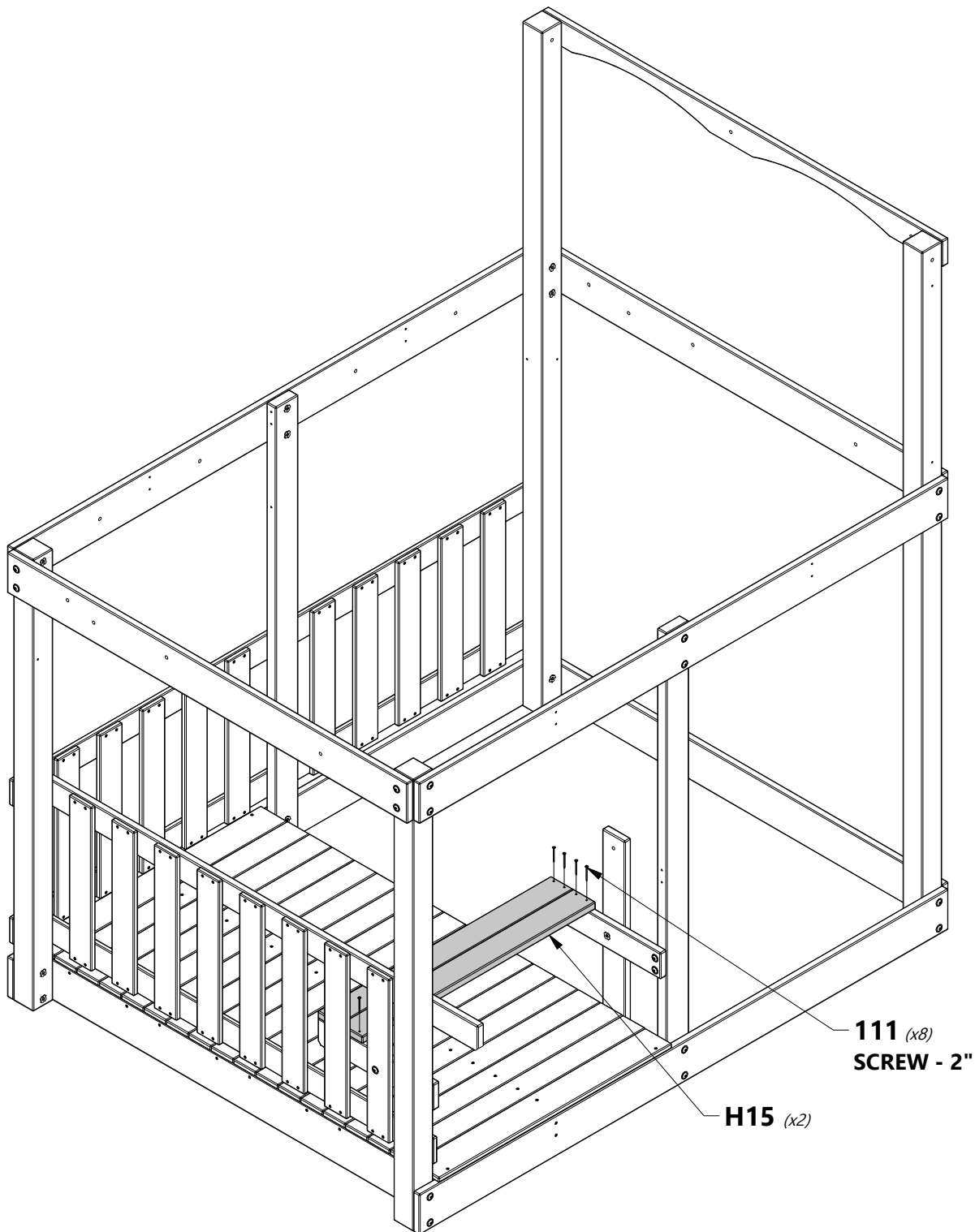


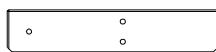


H15 | PICNIC TABLE SEAT - W4L12720
(2) | 1"x3 3/8"x35 3/8" (24x86x897)



H100111 | SCREW PFH
(8) | 8x2





H24 | PICNIC TABLE TOP SUPPORT - W4L12727
(1) | 1"x3 3/8"x16 1/2" (24x86x418)



H100378 | BOLT WH BLK
(1) | 5/16x1 3/4



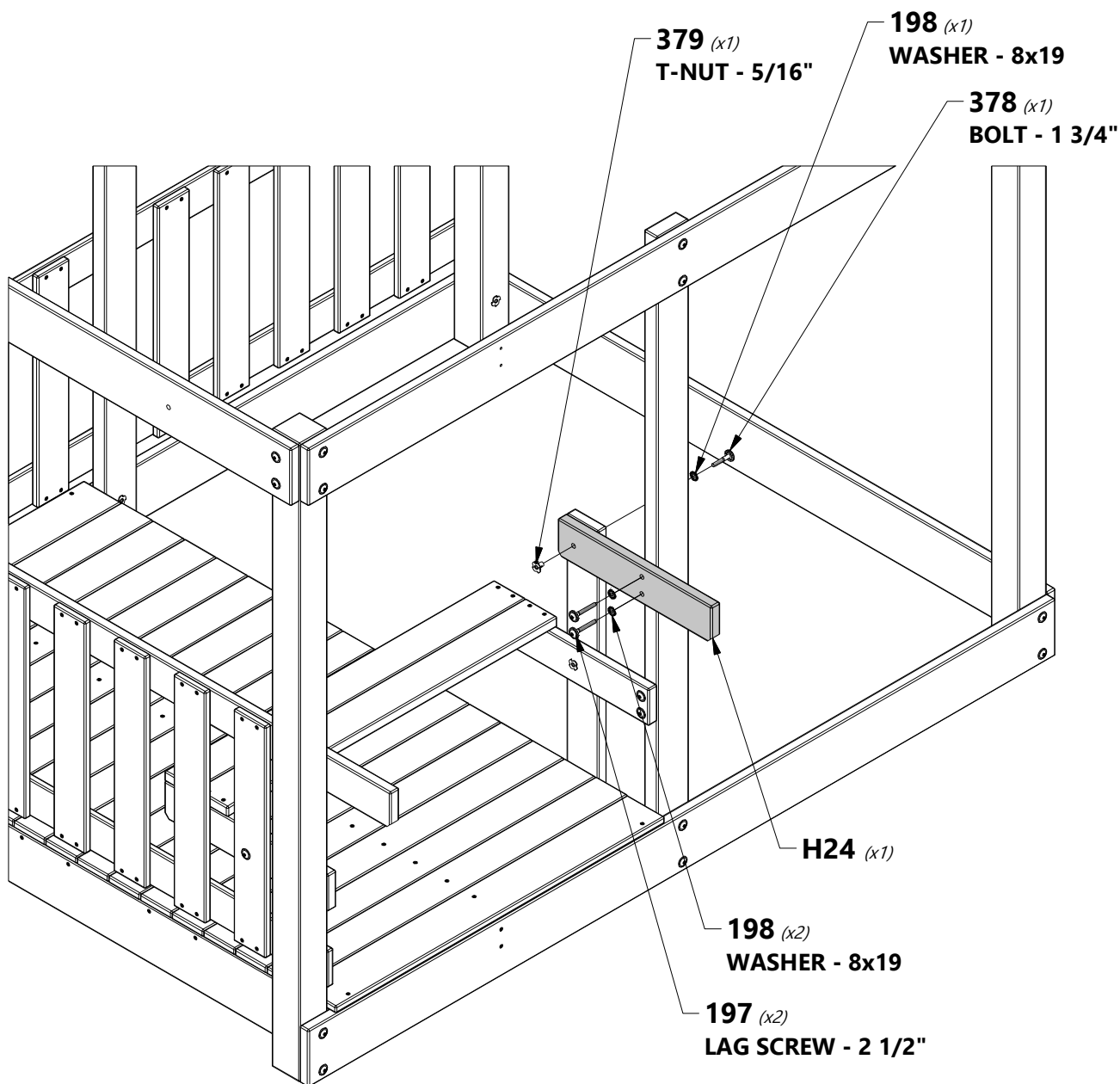
H100197 | LAG SCREW WH BLK
(2) | 5/16x2 1/2



H100198 | WASHER LOCK
(3) | EXT BLK
8x19



H100379 | T-NUT BLK
(1) | 5/16





M13 | PICNIC TABLE TOP - W4L12755
(3) | 5/8"x3 3/8"x41 1/4" (16x86x1049)



M10 | PICNIC TABLE TOP - W4L12793
(1) | 5/8"x3 3/8"x41 1/4" (16x86x1049)



M16 | CENTER PICNIC TABLE TOP - W4L12757
(1) | 5/8"x3"x38 1/4" (16x76x973)



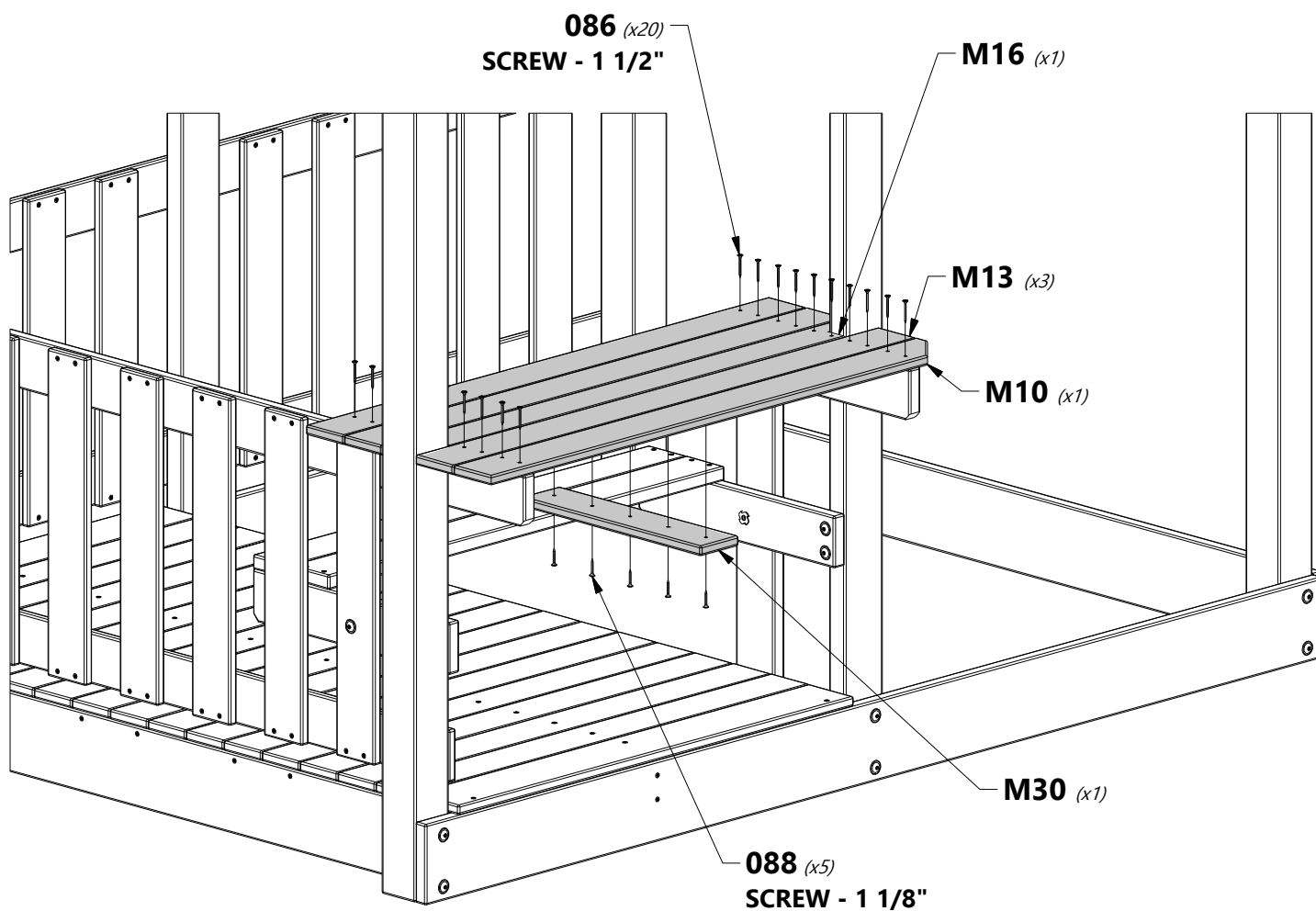
M30 | PICNIC TABLE TOP CLEAT - W4L12767
(1) | 5/8"x3 3/8"x16" (16x86x406)



H100086 | SCREW PFH
(20) | 8x1 1/2"



H100088 | SCREW PFH
(5) | 8x1 1/8"

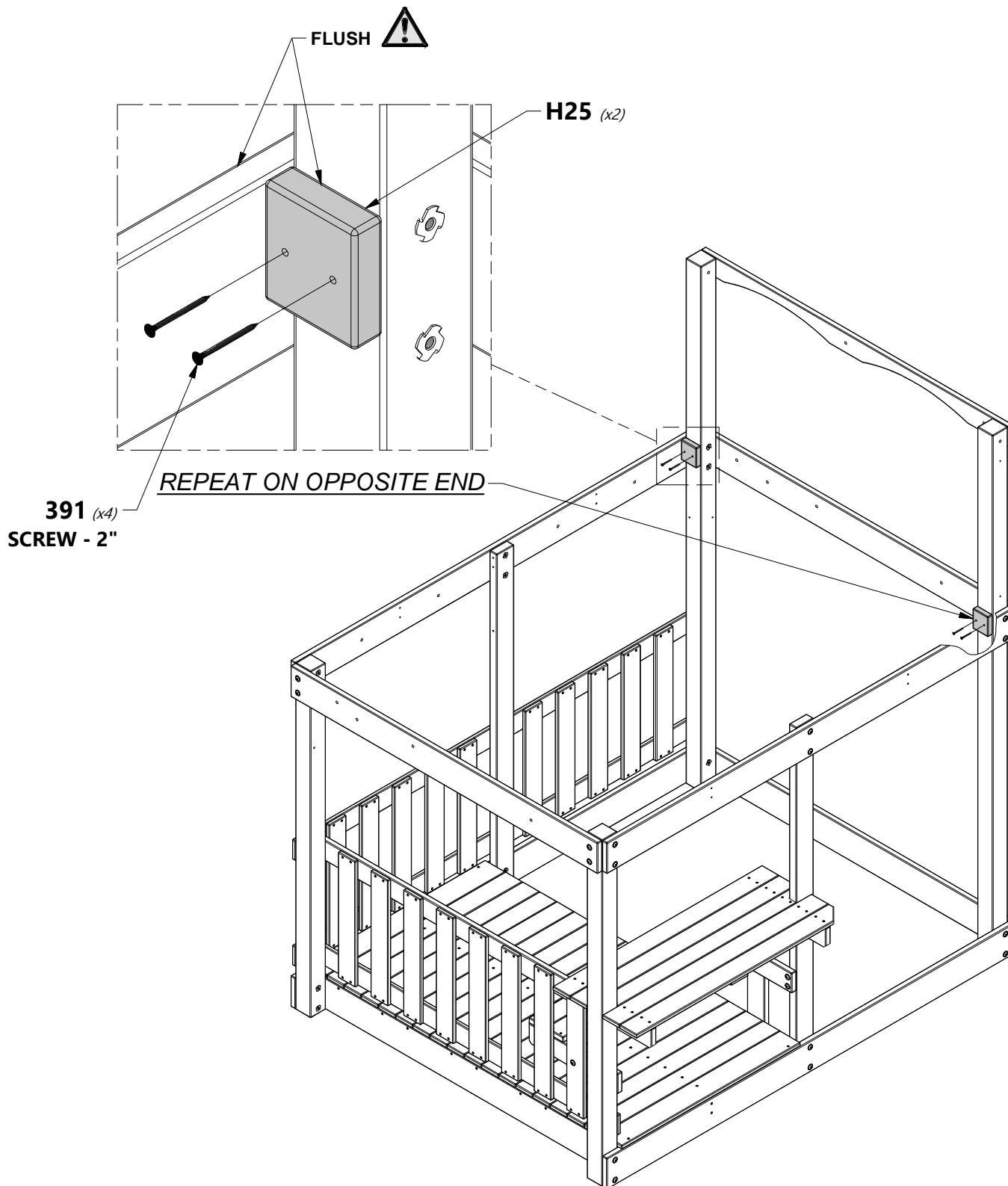


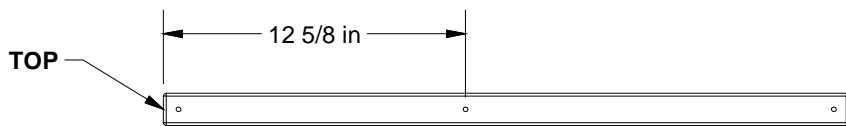


H25 | TOP FLOOR SUPPORT - W4L12728
(2) | 1"x3 3/8"x3" (24x86x76)



H100391 | SCREW PFH BLK
(4) | 8x2

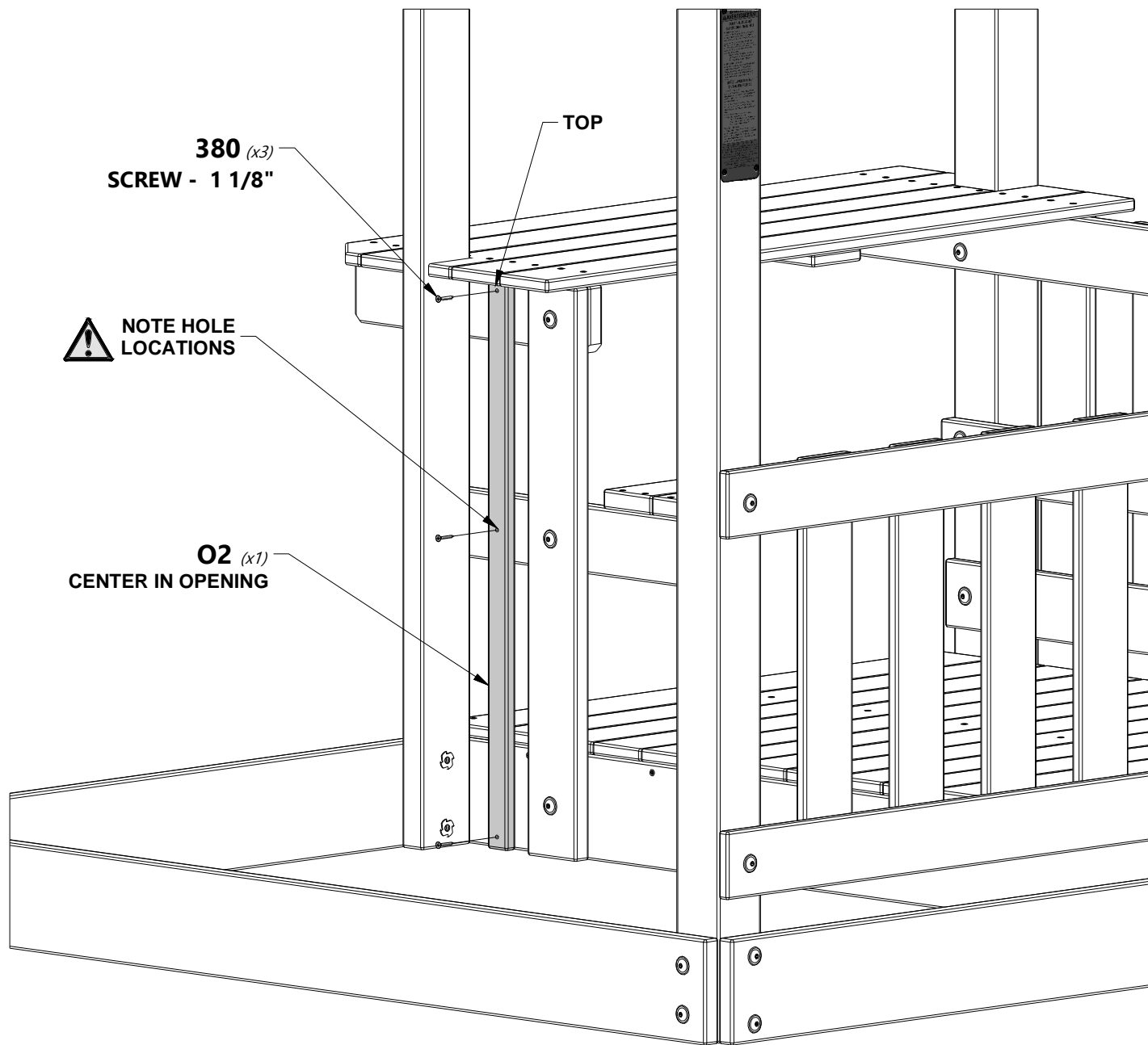




O2 SAFETY BOARD - W4L12784
 (1) 5/8"x1 3/8"x28 5/8" (16x34x726)



H100380 SCREW PFH BLK
 (3) 8x1 1/8





E5 | DECK BRACE - W4L12692
 (8) | 1 7/16"x3 3/8"x20" (36x86x508)

H100205 | BOLT WH BLK
 (8) | 5/16x2-1/4

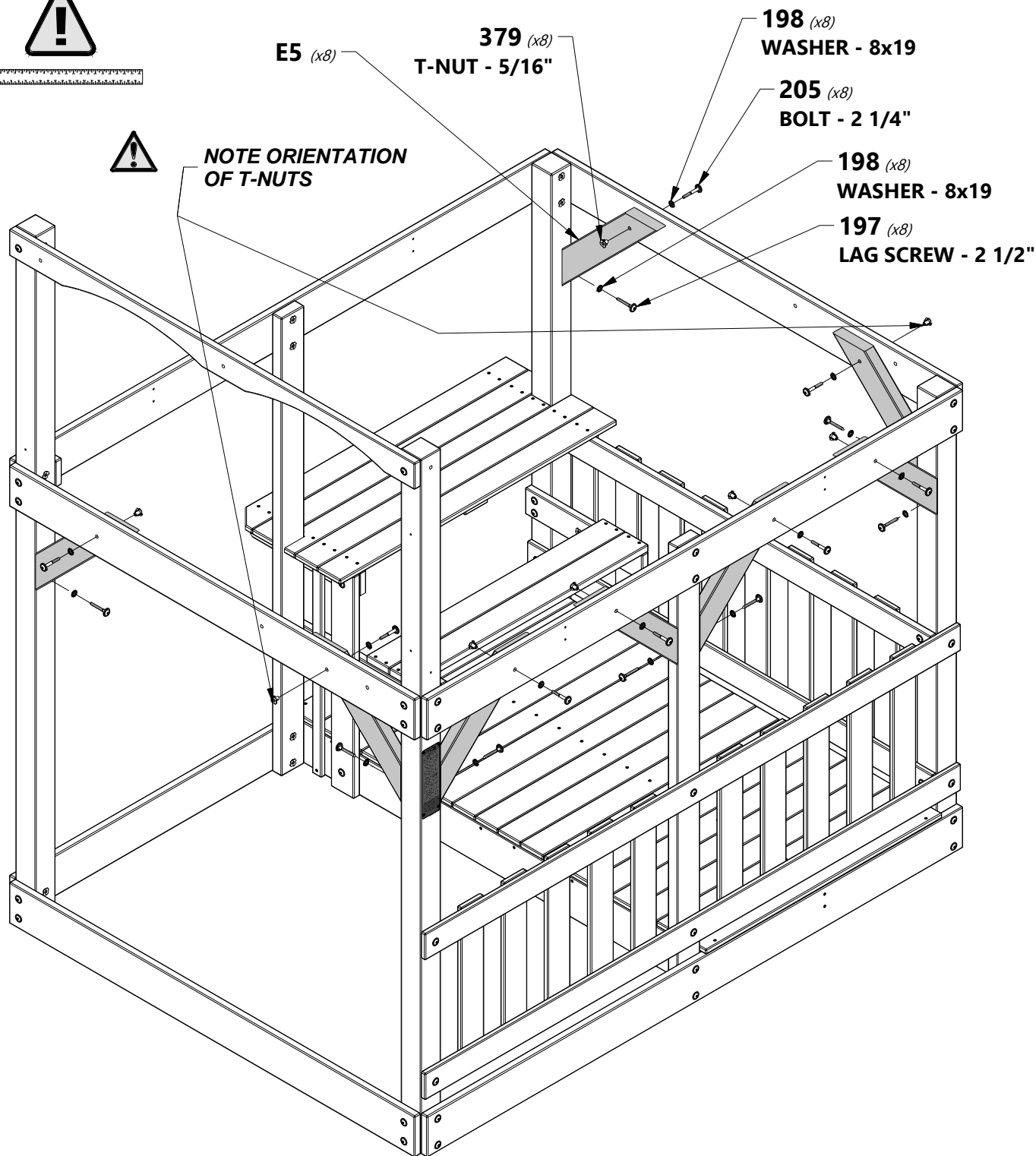
H100197 | LAG SCREW WH BLK
 (8) | 5/16x2 1/2

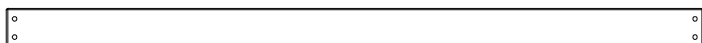
H100198 | WASHER LOCK
 (16) | EXT BLK
 8x19

H100379 | T-NUT BLK
 (8) | 5/16

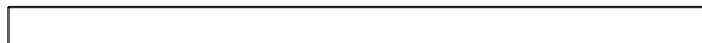


NOTE ORIENTATION OF T-NUTS





H5 | FLOOR RAIL - W4L12710
(1) | 1"x3 3/8"x60 1/2" (24x86x1537)



H26 | FLOOR JOIST - W4L12729
(2) | 1"x3 3/8"x60 1/2" (24x86x1537)



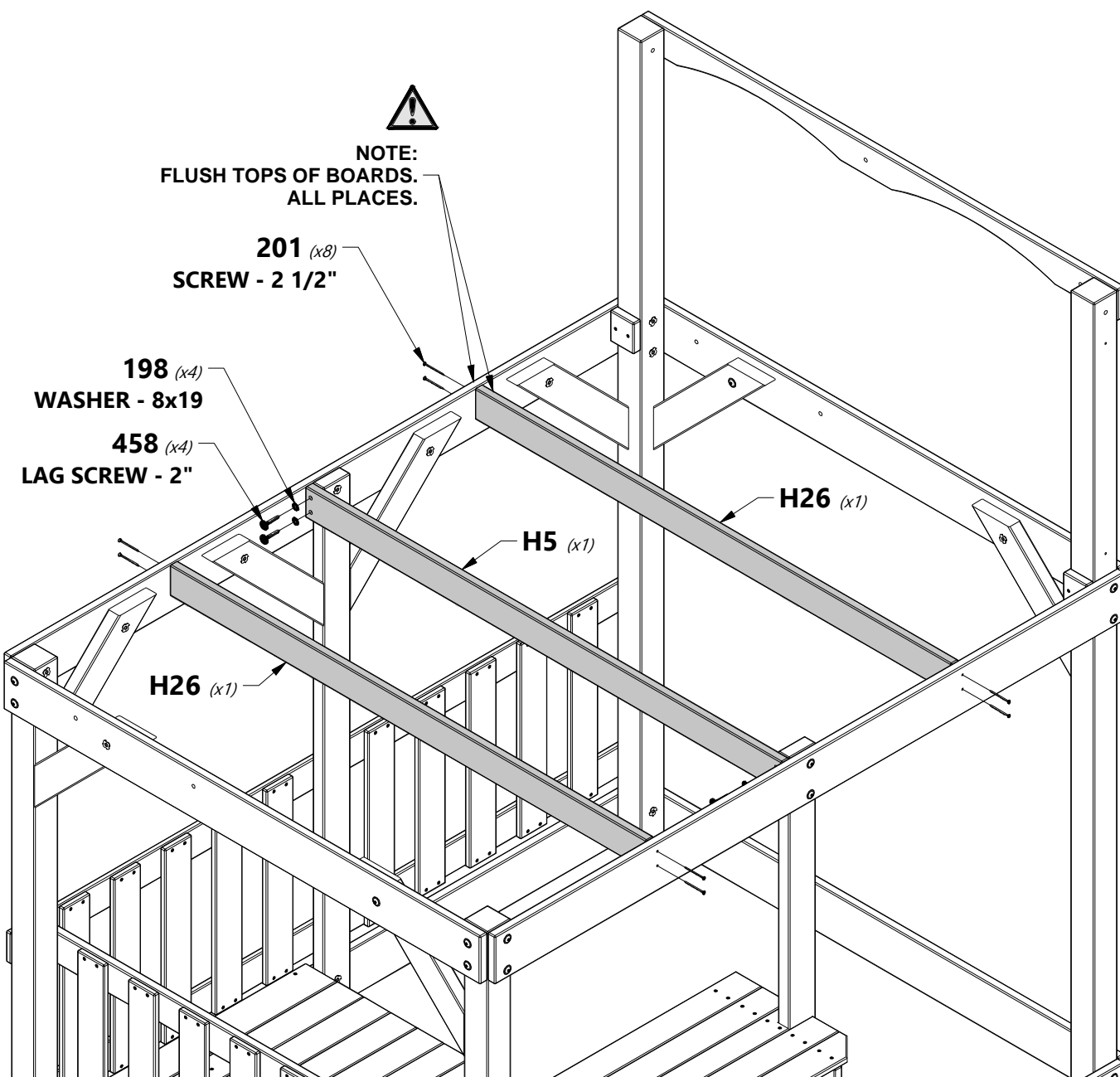
H100458 | LAG SCREW WH BLK
(4) | 5/16x2

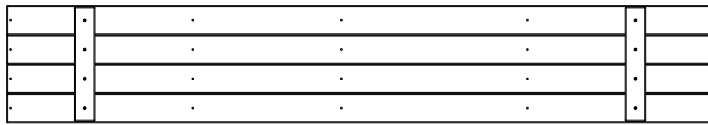


**H100198 | WASHER LOCK
EXT BLK**
(4) | 8x19

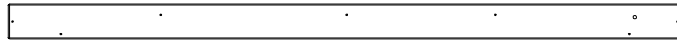


H100201 | SCREW PFH BLK
(8) | 8x2-1/2





FP2 | FLOOR PANEL - W2A02649
(4) | 1 1/4"x13 1/2"x81 7/8" (32x344x2080)



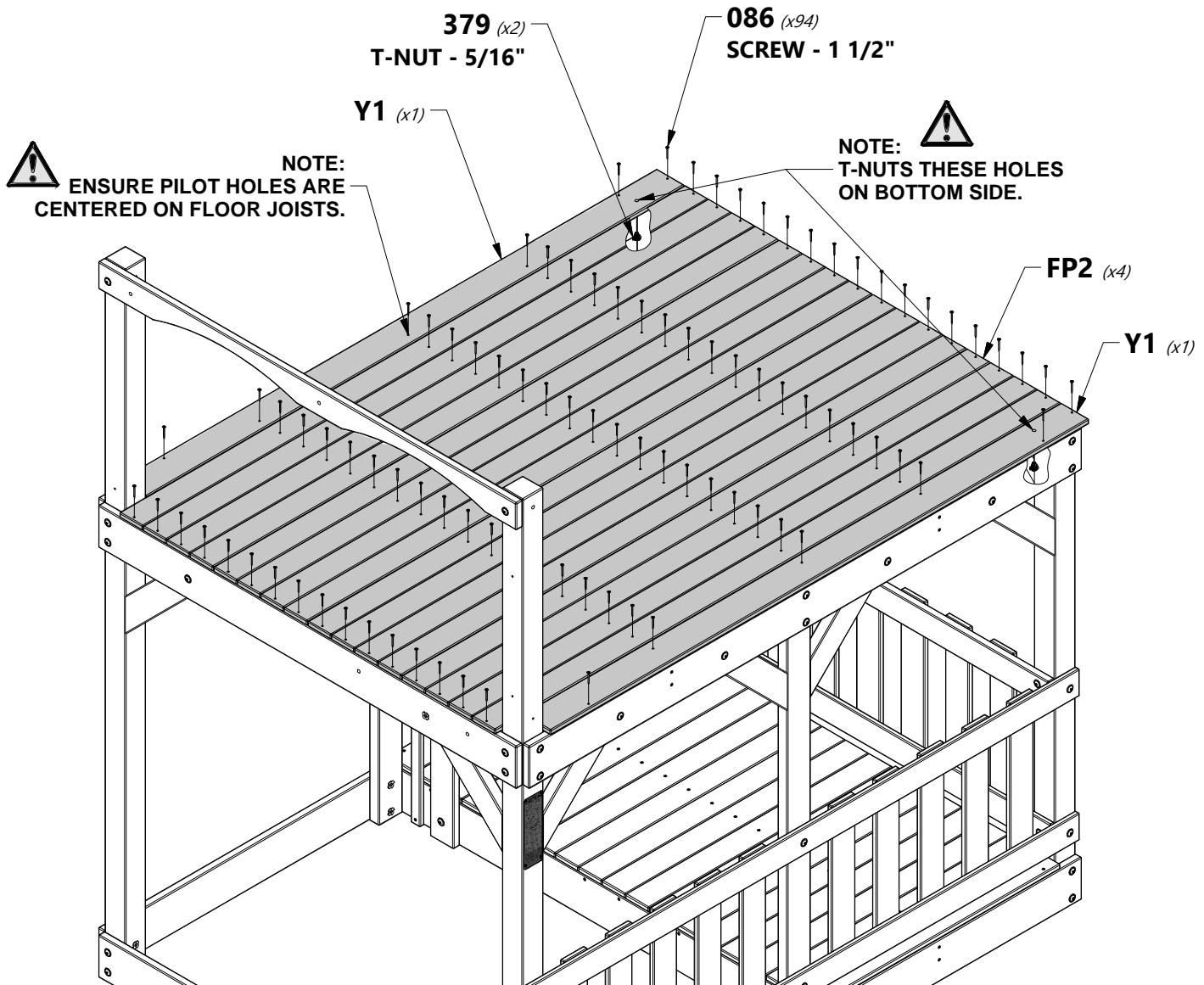
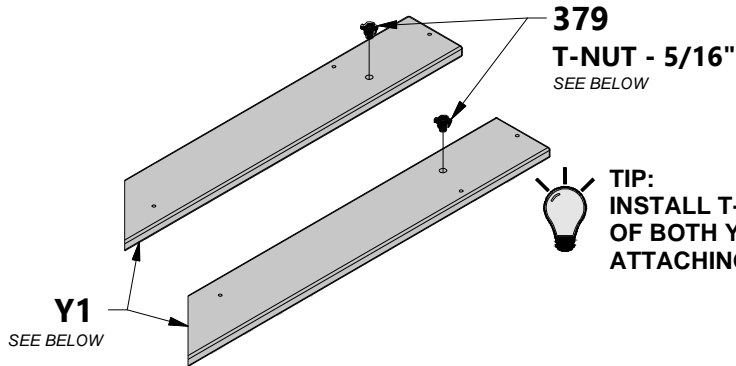
Y1 | TOP FLOOR BOARD - W4L12785
(2) | 5/8"x4"x78" (16x102x1980)



H100086 | SCREW PFH
(94) | 8x1 1/2



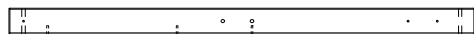
H100379 | T-NUT BLK
(2) | 5/16



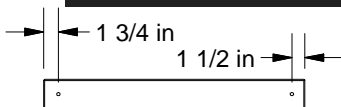


FORT ASSEMBLY

STEP 22



B8 | BACK RIGHT FORT CORNER - W4L12687
(1) | 3"x3"x53 7/8" (76x76x1370)



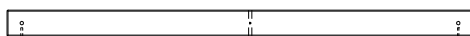
M21 | FORT WALL RAIL - W4L12761
(1) | 5/8"x3 3/8"x30 1/4" (16x86x768)



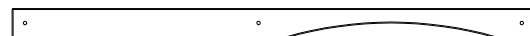
H4 | ROOF SUPPORT RAIL - W4L12709
(1) | 1"x3 3/8"x67 1/4" (24x86x1709)



A100340 | L BRACKET
(2) | 2.5x38x50x55



B5 | BACK LEFT FORT CORNER - W4L12684
(1) | 3"x3"x53 7/8" (76x76x1370)



H6 | BACK FORT RAIL - W4L12711
(1) | 1"x3 3/8"x60 1/2" (24x86x1537)



H100194 | BOLT WH BLK
(1) | 5/16x2 1/2



H100396 | BOLT WH BLK
(2) | 5/16x1/2



H100415 | BOLT WH BLK
(2) | 5/16x3 3/4



H100379 | T-NUT BLK
(2) | 5/16



H100484 | BOLT WH BLK
(1) | 5/16x3 1/4



H100192 | NUT BARREL WH BLK
(2) | 5/16x7/8



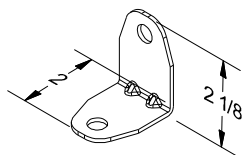
H100458 | LAG SCREW WH BLK
(2) | 5/16x2



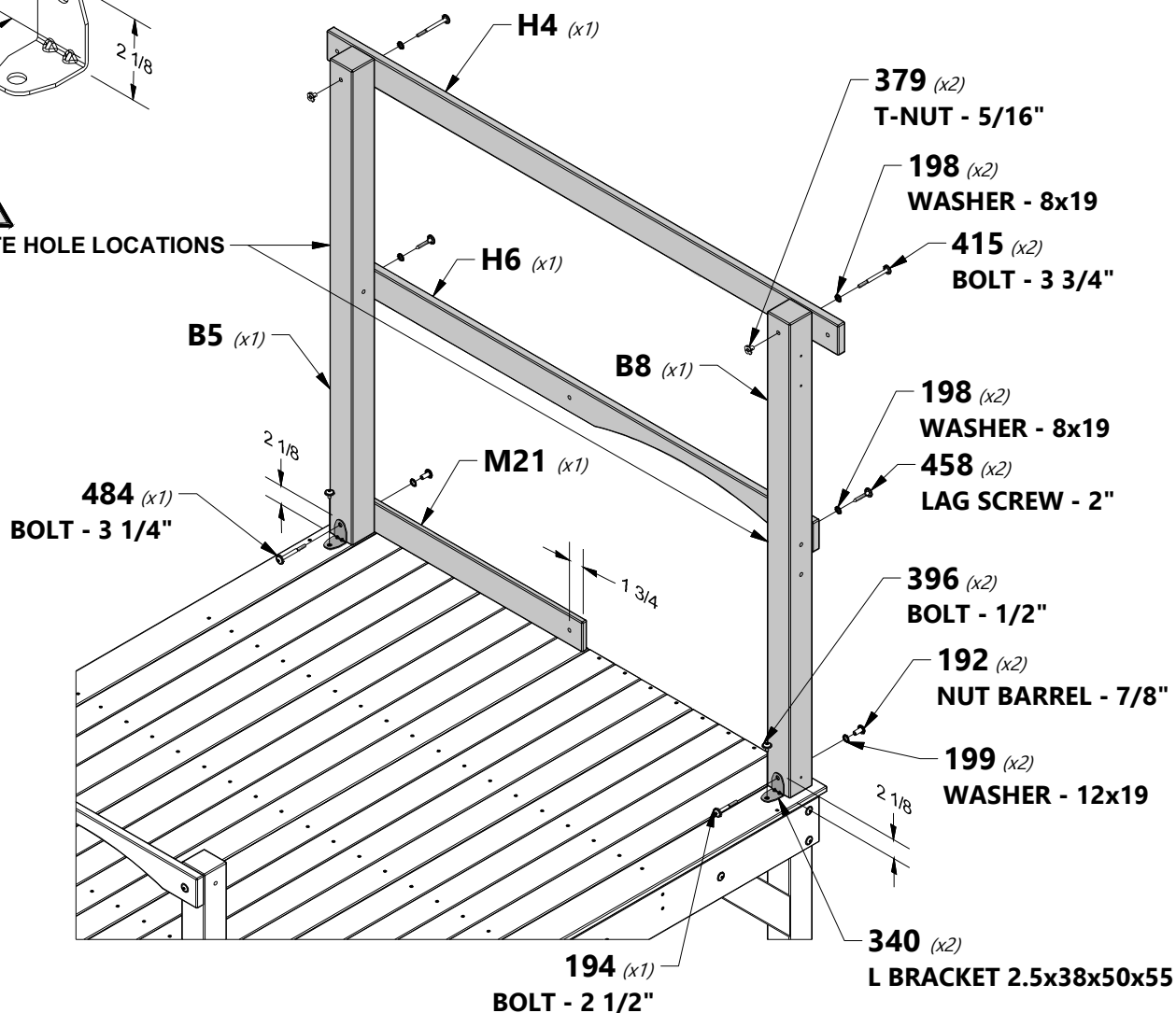
H100199 | WASHER LOCK
EXT BLK
(2) | 12x19



H100198 | WASHER LOCK
EXT BLK
(4) | 8x19

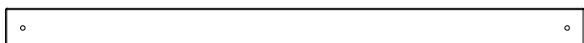


NOTE HOLE LOCATIONS

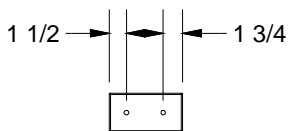




M1 | TOP WALL RAIL - W4L12743
(1) | 5/8"x3 3/8"x80" (16x86x2032)



H23 | FORT WALL RAIL - W4L12752
(1) | 1"x3 3/8"x50 1/4" (24x86x1277)



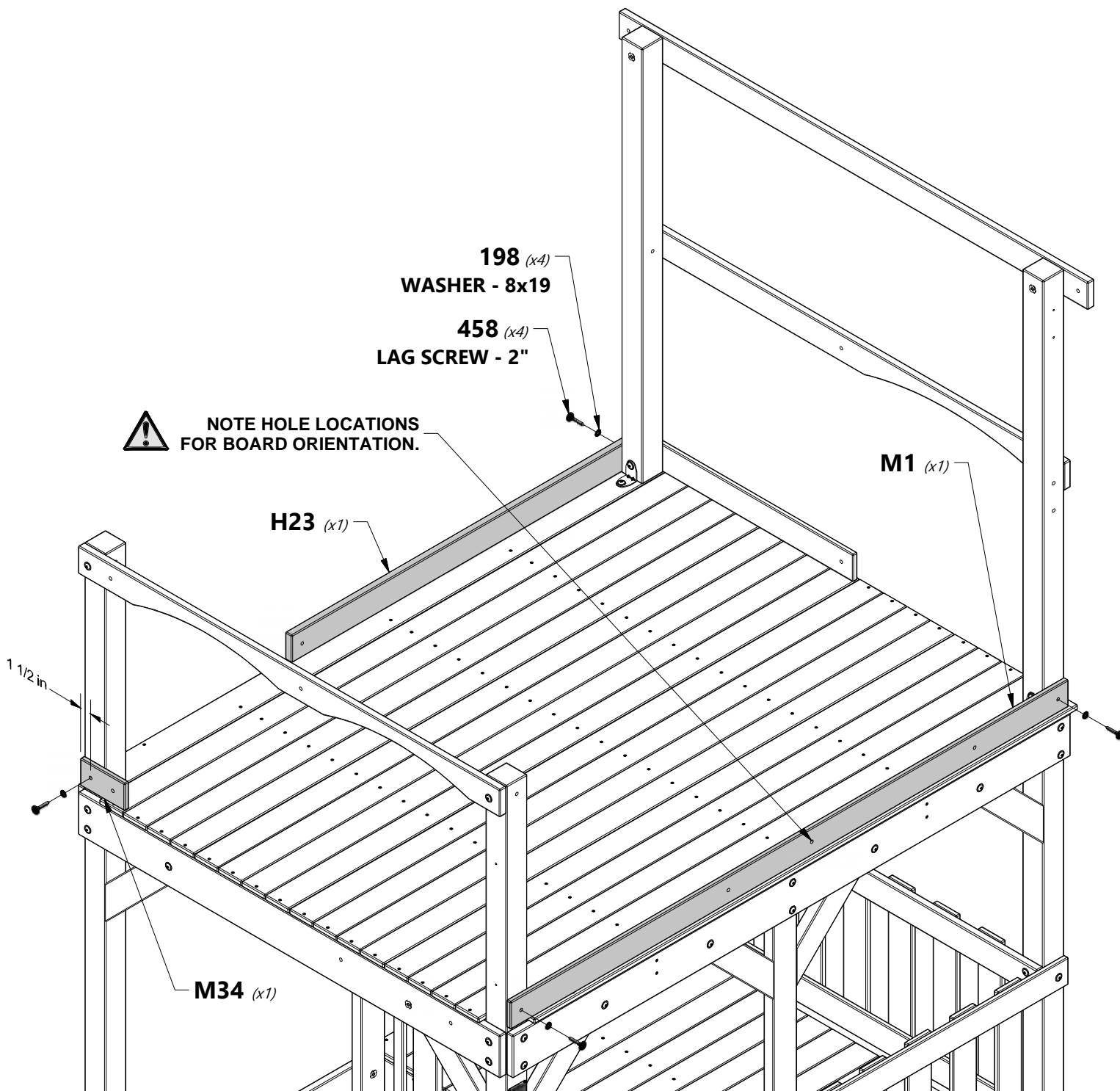
M34 | WALL RAIL - W4L12770
(1) | 5/8"x3 3/8"x6 3/8" (16x86x162)



H100458 | LAG SCREW WH BLK
(4) | 5/16x2



H100198 | WASHER LOCK EXT BLK
(4) | 8x19





A100340 | L BRACKET
(1) | 2.5x38x50x55



H18 | FORT WALL RAIL - W4L12723
(1) | 1"x3 3/8"x29 7/8" (24x86x758)



H100379 | T-NUT BLK
(2) | 5/16



H100198 | WASHER LOCK
(1) | EXT BLK
8x19



H100378 | BOLT WH BLK
(1) | 5/16x1 3/4



H100459 | BOLT WH BLK
(1) | 5/16x1 1/4



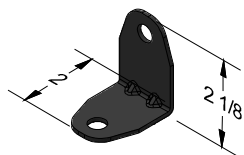
H100396 | BOLT WH BLK
(1) | 5/16x1/2



H100192 | NUT BARREL WH
(1) | BLK
5/16x7/8



H100199 | WASHER LOCK
(1) | EXT BLK
12x19



198 (x1)
WASHER - 8x19

378 (x1)
BOLT - 1 3/4"

H18 (x1)

379 (x2)
T-NUT - 5/16"

396 (x1)
BOLT - 1/2"

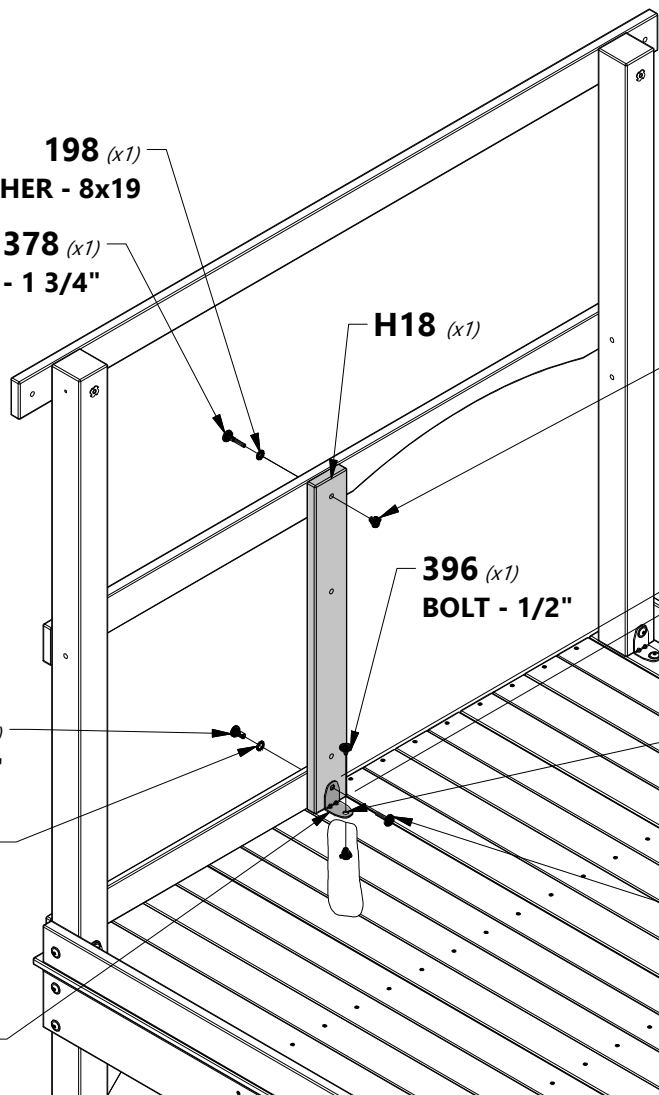
192 (x1)
NUT BARREL - 7/8"

199 (x1)
WASHER - 12x19

USING BRACKET AS A
GUIDE, DRILL 3/8" HOLE
THROUGH DECK

459 (x1)
BOLT - 1 1/4"

340 (x1)
L BRACKET 2.5x38x50x55





H1 | WALL RAIL - W4L12706
(1) | 1"x3 3/8"x80" (24x86x2032)



Q1 | SLIDE ATTACHMENT BOARD - W4L12792
(1) | 1"x4 1/4"x27" (24x108x687)



B6 | FRONT LEFT FORT CORNER - W4L12685
(1) | 3"x3"x53 7/8" (76x76x1370)



A100340 | L BRACKET
(1) | 2.5x38x50x55



H22 | SLIDE ATTACHMENT BOARD - W4L12781
(1) | 1"x3"x23" (24x76x585)



H100415 | BOLT WH BLK
(3) | 5/16x3 3/4



H100503 | BOLT WH BLK
(1) | 5/16x3-1/2



H100197 | LAG SCREW WH BLK
(4) | 5/16x2 1/2



H100396 | BOLT WH BLK
(1) | 5/16x1/2



H100192 | NUT BARREL WH BLK
(1) | 5/16x7/8



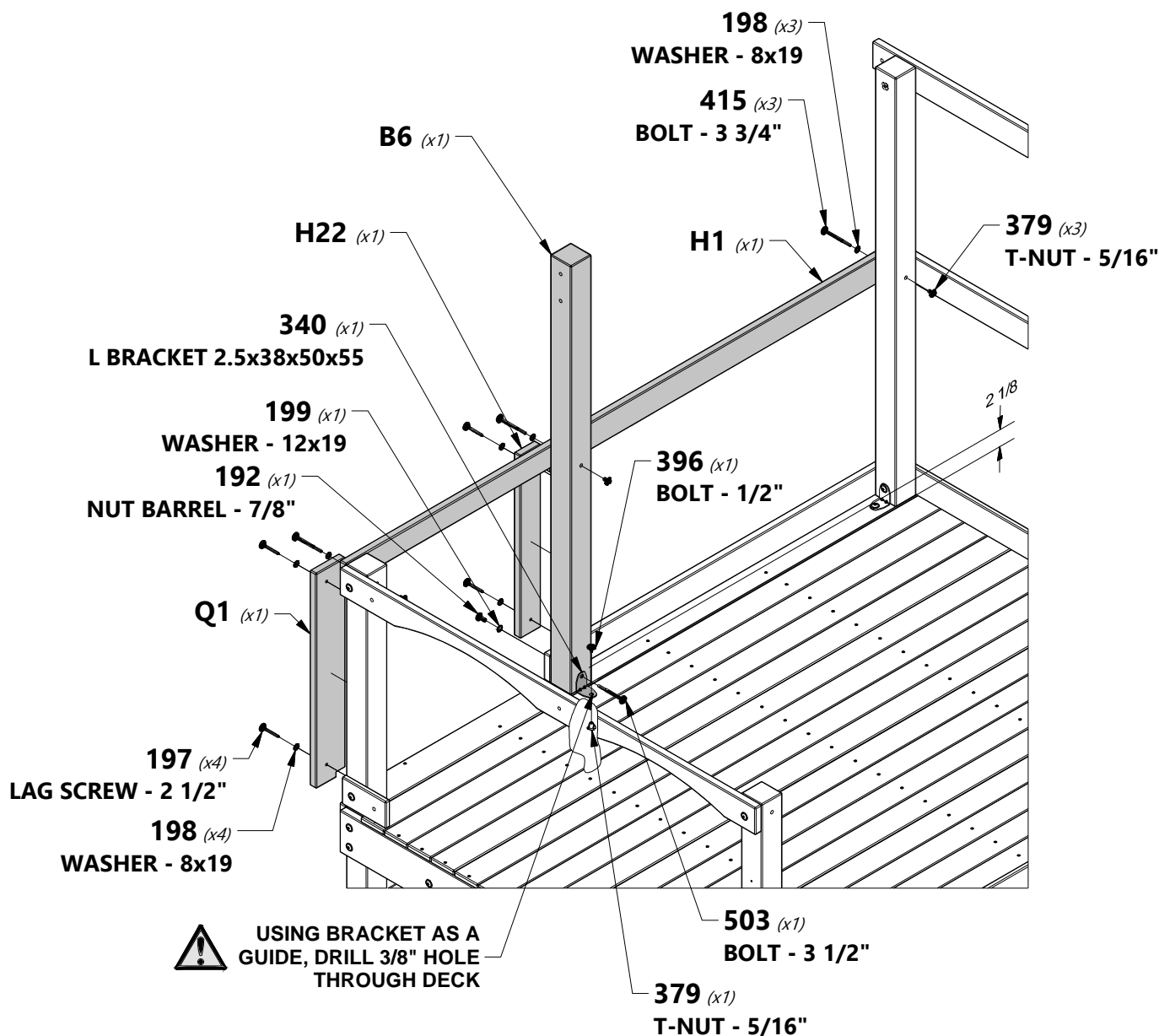
H100199 | WASHER LOCK
(1) | EXT BLK
12x19

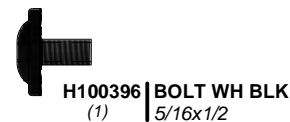
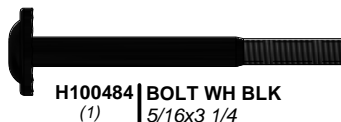
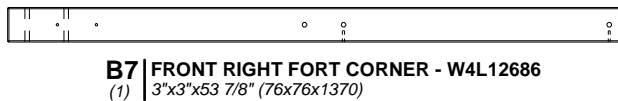
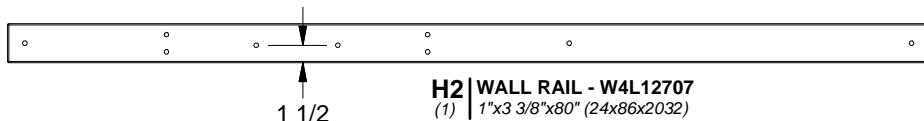
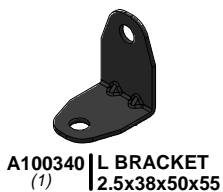


H100379 | T-NUT BLK
(4) | 5/16



H100198 | WASHER LOCK
(7) | EXT BLK
8x19

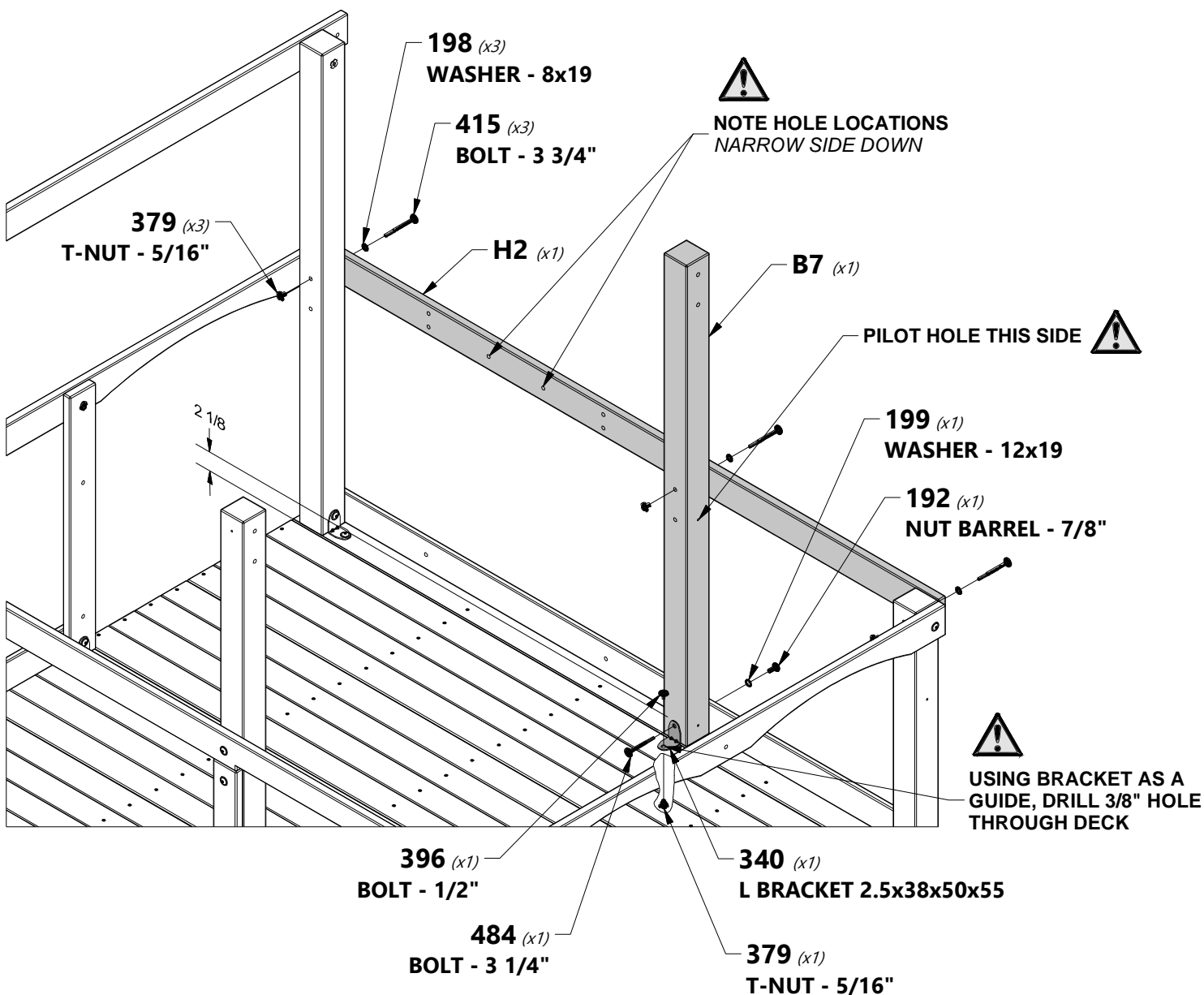


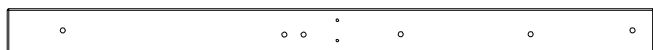


H100199 | WASHER LOCK
(1) | EXT BLK
12x19

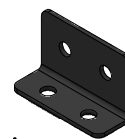
H100379 | T-NUT BLK
(4) | 5/16

H100198 | WASHER LOCK
(3) | EXT BLK
8x19





H9 | FORT WALL BOARD - W4L12714
(2) | 1"x3 3/8"x50 1/2" (24x86x1284)



A100396 | L BRACKET 51x32x82x3.175
(2)



H100761 | BOLT HEX BLK
(4) | 5/16x2



H100407 | BOLT WH BLK
(2) | 5/16x1 1/2



H100478 | WASHER FLAT
(4) | BLK
8x27



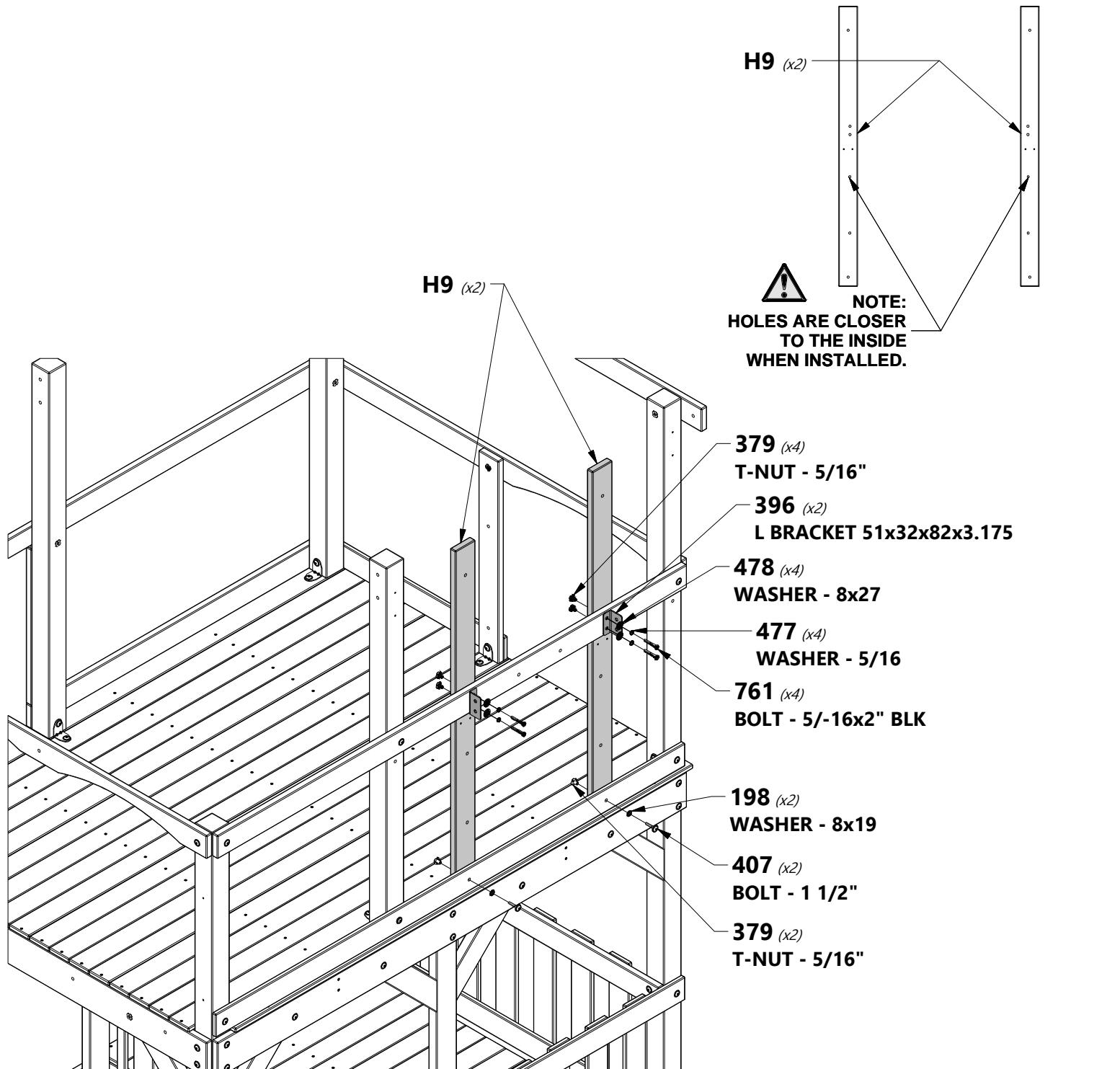
H100198 | WASHER LOCK
(2) | EXT BLK
8x19



H100477 | WASHER SPLIT
(4) | BLK
5/16



H100379 | T-NUT BLK
(6) | 5/16





FORT ASSEMBLY

STEP 28



K5 | FORT WALL RAIL - W4L12740
(1) | 5/8"x5 1/4"x50 1/4" (16x134x1277)



H14 | SWING BEAM MOUNT - W4L12719
(1) | 1"x3 3/8"x50 1/4" (24x86x1277)



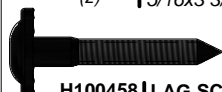
H100415 | BOLT WH BLK
(2) | 5/16x3 3/4



H100407 | BOLT WH BLK
(2) | 5/16x1 1/2



H100089 | SCREW PFH
(4) | 8x1 3/4



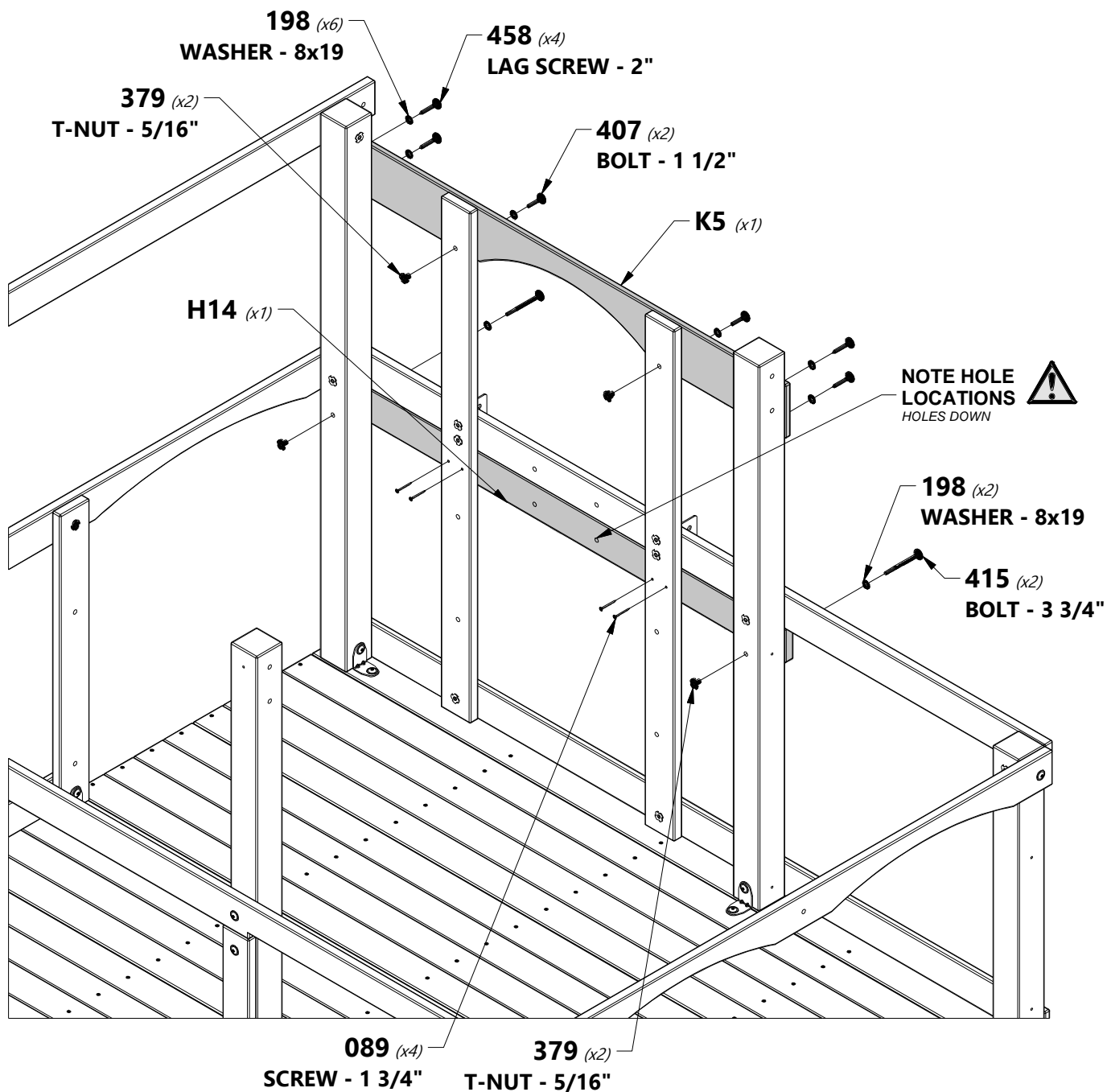
H100458 | LAG SCREW WH BLK
(4) | 5/16x2

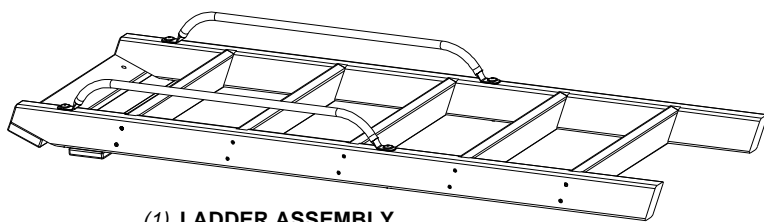


H100379 | T-NUT BLK
(4) | 5/16



H100198 | WASHER LOCK
(8) | EXT BLK
8x19





(1) LADDER ASSEMBLY



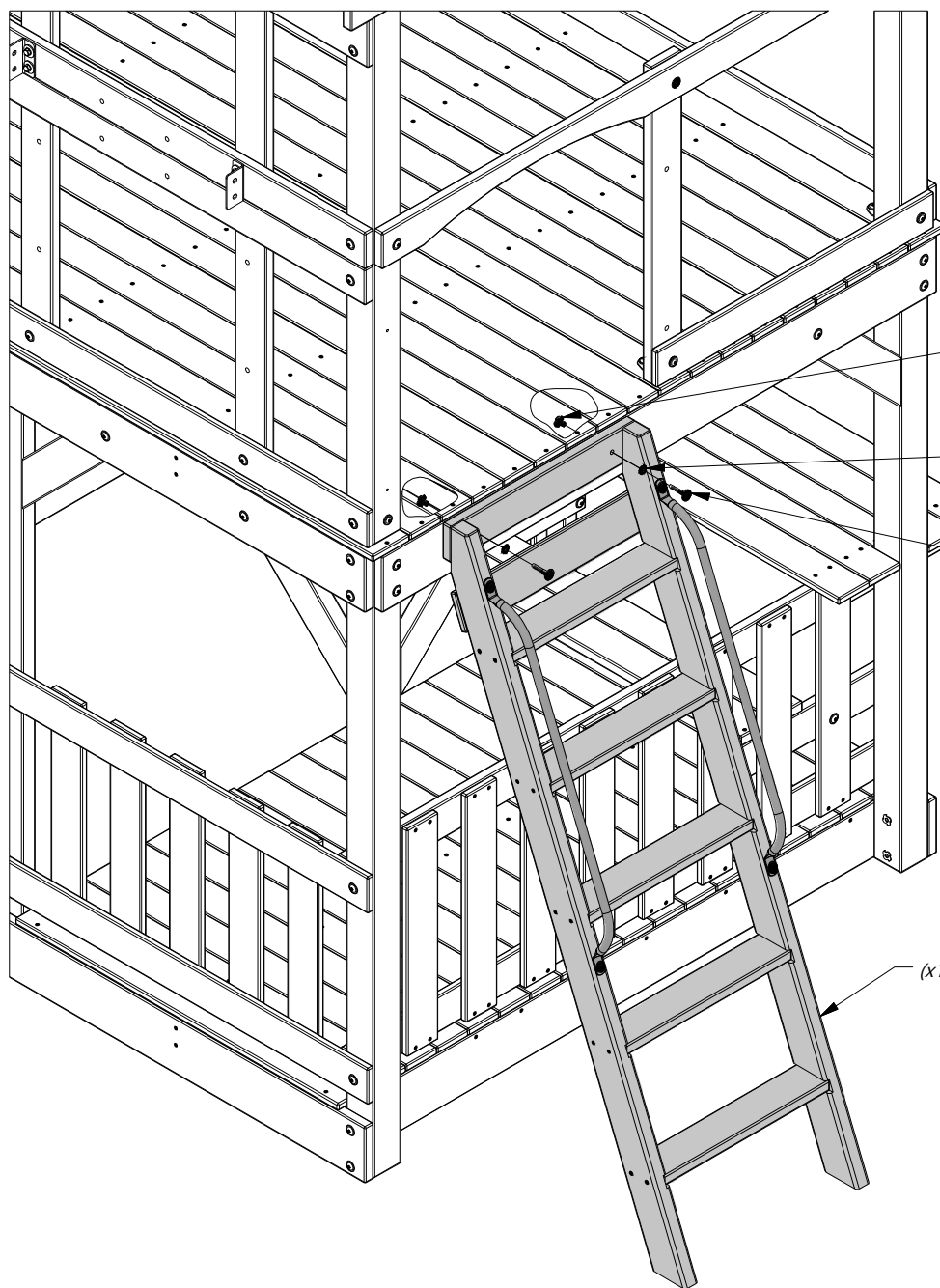
H100378 | BOLT WH BLK
(2) | 5/16x1 3/4



H100379 | T-NUT BLK
(2) | 5/16



H100198 | WASHER LOCK
(2) | EXT BLK
8x19

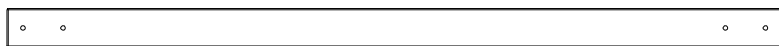


379 (x2)
T-NUT - 5/16"

198 (x2)
WASHER - 8x19

378 (x2)
BOLT - 1 3/4"

(x1) LADDER ASSEMBLY



H4 | ROOF SUPPORT RAIL - W4L12709
(1) | 1"x3 3/8"x67 1/4" (24x86x1709)



H7 | FRONT FORT WALL RAIL - W4L12712
(1) | 1"x3 3/8"x60 1/2" (24x86x1537)



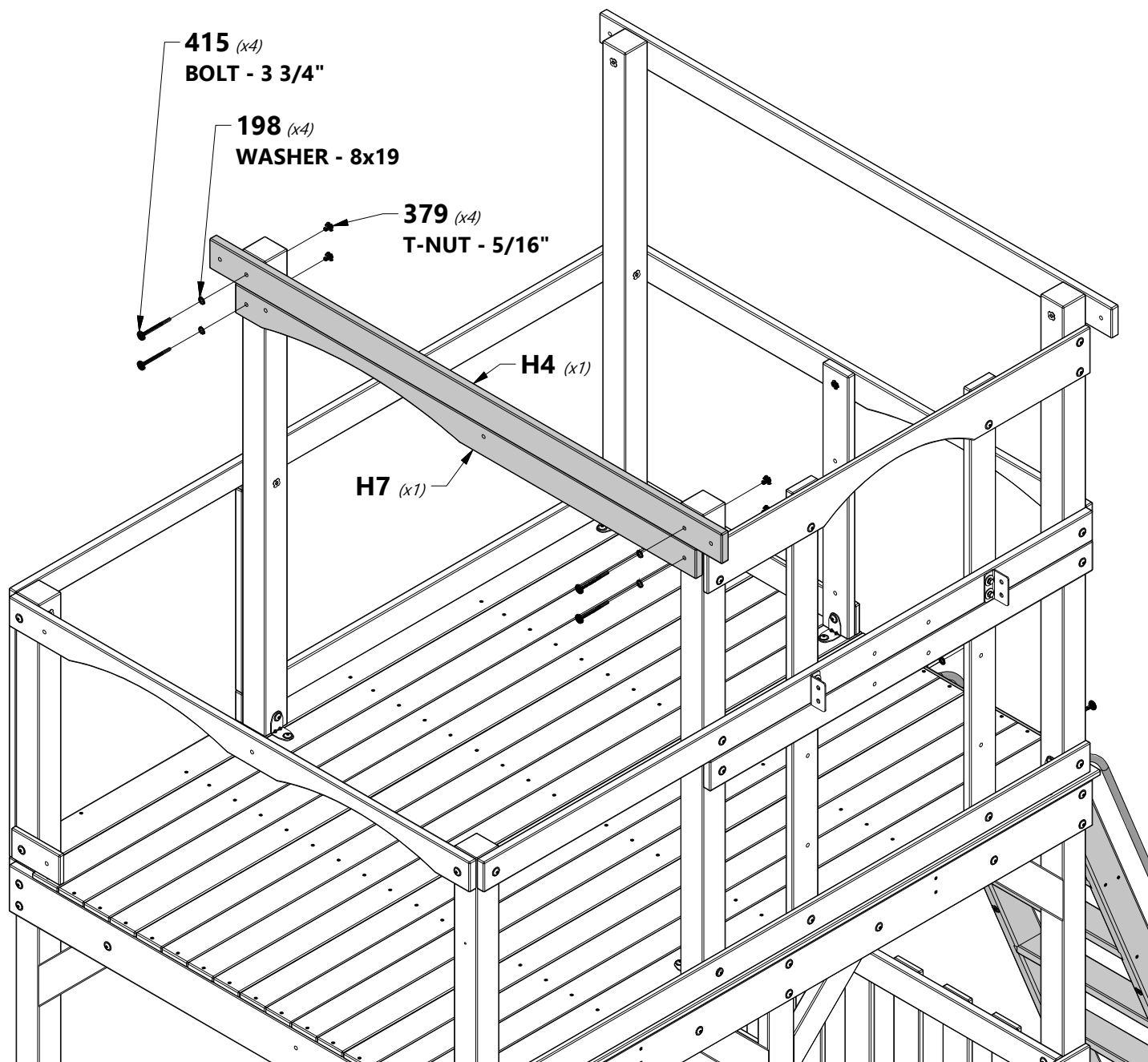
H100415 | BOLT WH BLK
(4) | 5/16x3 3/4



H100379 | T-NUT BLK
(4) | 5/16



H100198 | WASHER LOCK
(4) | EXT BLK
8x19



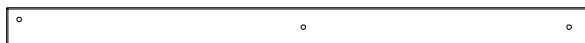


FORT ASSEMBLY

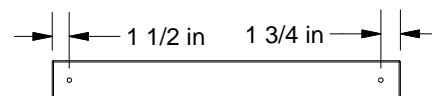
STEP 31



A100340 | L BRACKET
(1) | 2.5x38x50x55



H8 | FORT UPRIGHT - W4L12713
(1) | 1"x3 3/8"x50 1/2" (24x86x1284)



M21 | FORT WALL RAIL - W4L12761
(2) | 5/8"x3 3/8"x30 1/4" (16x86x768)



H100458 | LAG SCREW WH BLK
(2) | 5/16x2



H100407 | BOLT WH BLK
(1) | 5/16x1 1/2



H100459 | BOLT WH BLK
(1) | 5/16x1 1/4



H100396 | BOLT WH BLK
(1) | 5/16x1/2



H100192 | NUT BARREL WH
BLK
(1) | 5/16x7/8



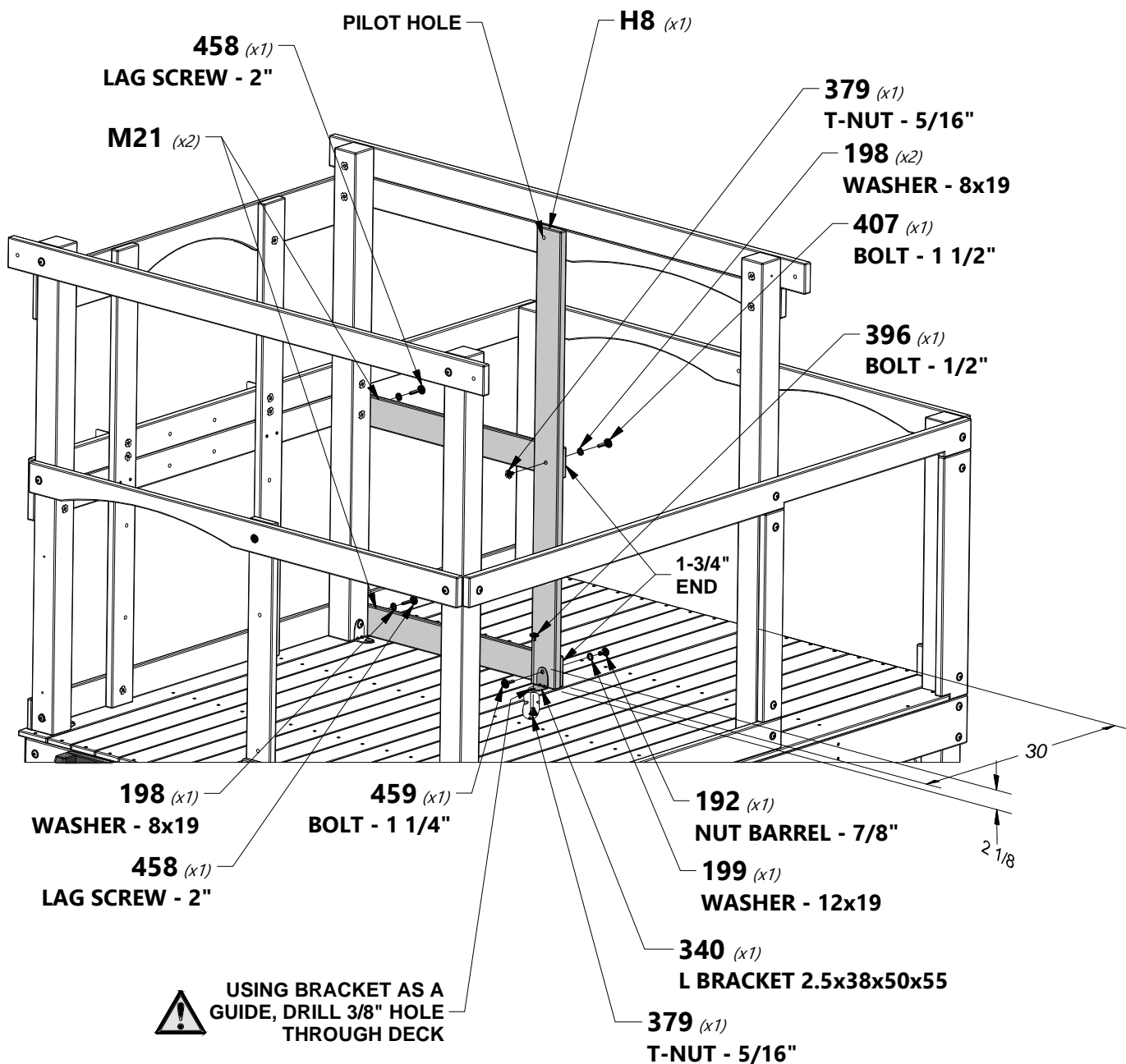
H100379 | T-NUT BLK
(2) | 5/16



H100198 | WASHER LOCK
EXT BLK
(3) | 8x19



H100199 | WASHER LOCK
EXT BLK
(1) | 12x19





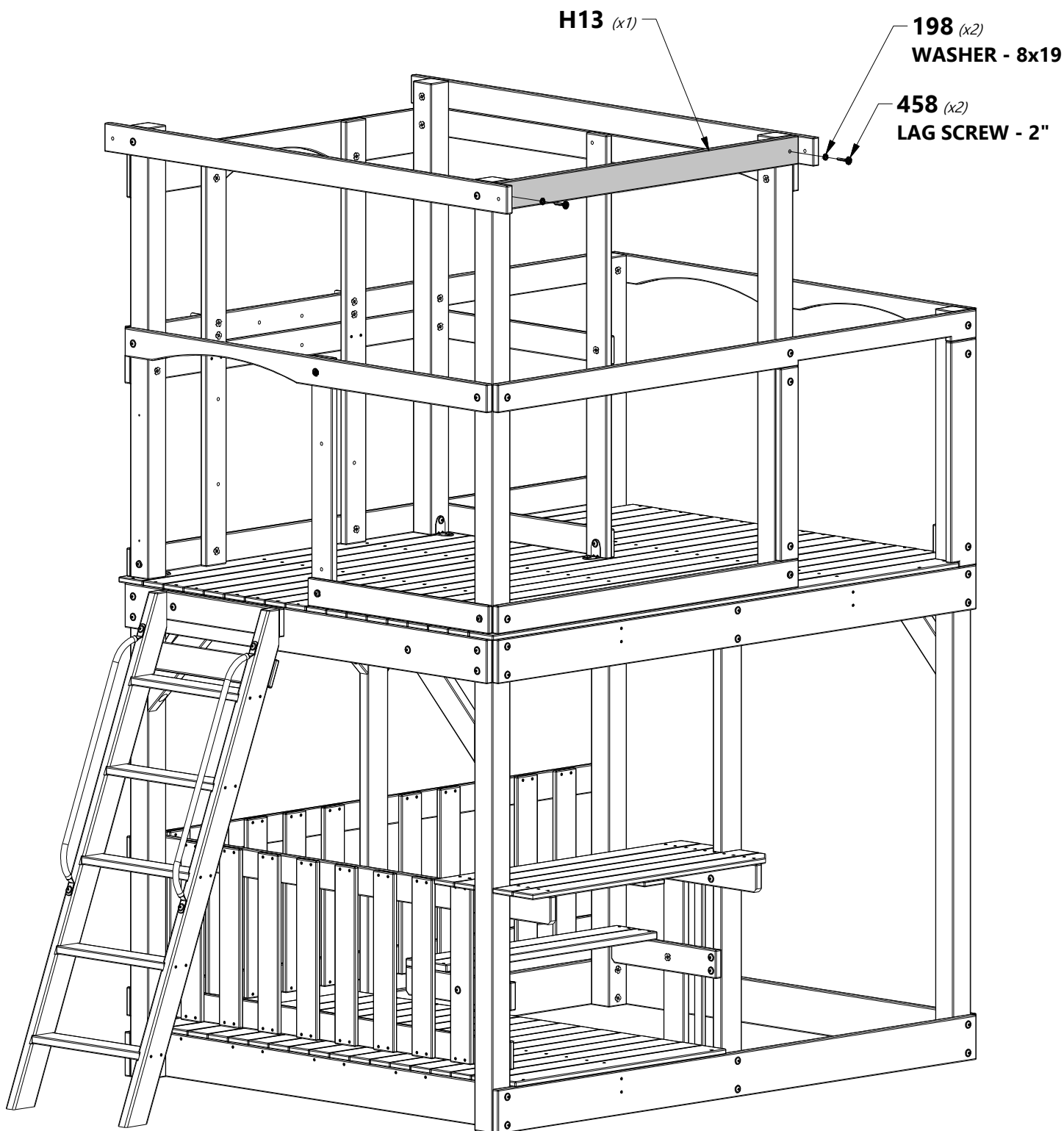
H13 | FORT WALL RAIL - W4L12718
(1) | 1"x3 3/8"x50 1/4" (24x86x1277)



H100458 | LAG SCREW WH BLK
(2) | 5/16x2



H100198 | WASHER LOCK
(2) | EXT BLK
8x19



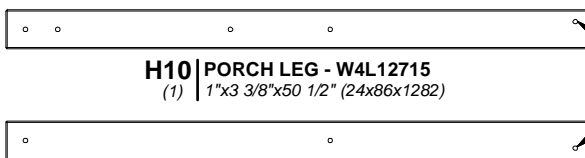


FORT ASSEMBLY

STEP 33



A100340 | L BRACKET
(1) | 2.5x38x50x55



H10 | PORCH LEG - W4L12715
(1) | 1"x3 3/8"x50 1/2" (24x86x1282)



H11 | PORCH LEG - W4L12716
(1) | 1"x3 3/8"x50 1/2" (24x86x1282)

NOTE:
HOLES GO OUTWARD
WHEN INSTALLED.



H100199 | WASHER LOCK
(1) | EXT BLK
12x19



H100198 | WASHER LOCK
(3) | EXT BLK
8x19



H100378 | BOLT WH BLK
(2) | 5/16x1 3/4



H100407 | BOLT WH BLK
(1) | 5/16x1 1/2



H100396 | BOLT WH BLK
(2) | 5/16x1/2



H100192 | NUT BARREL WH
(1) | BLK
5/16x7/8

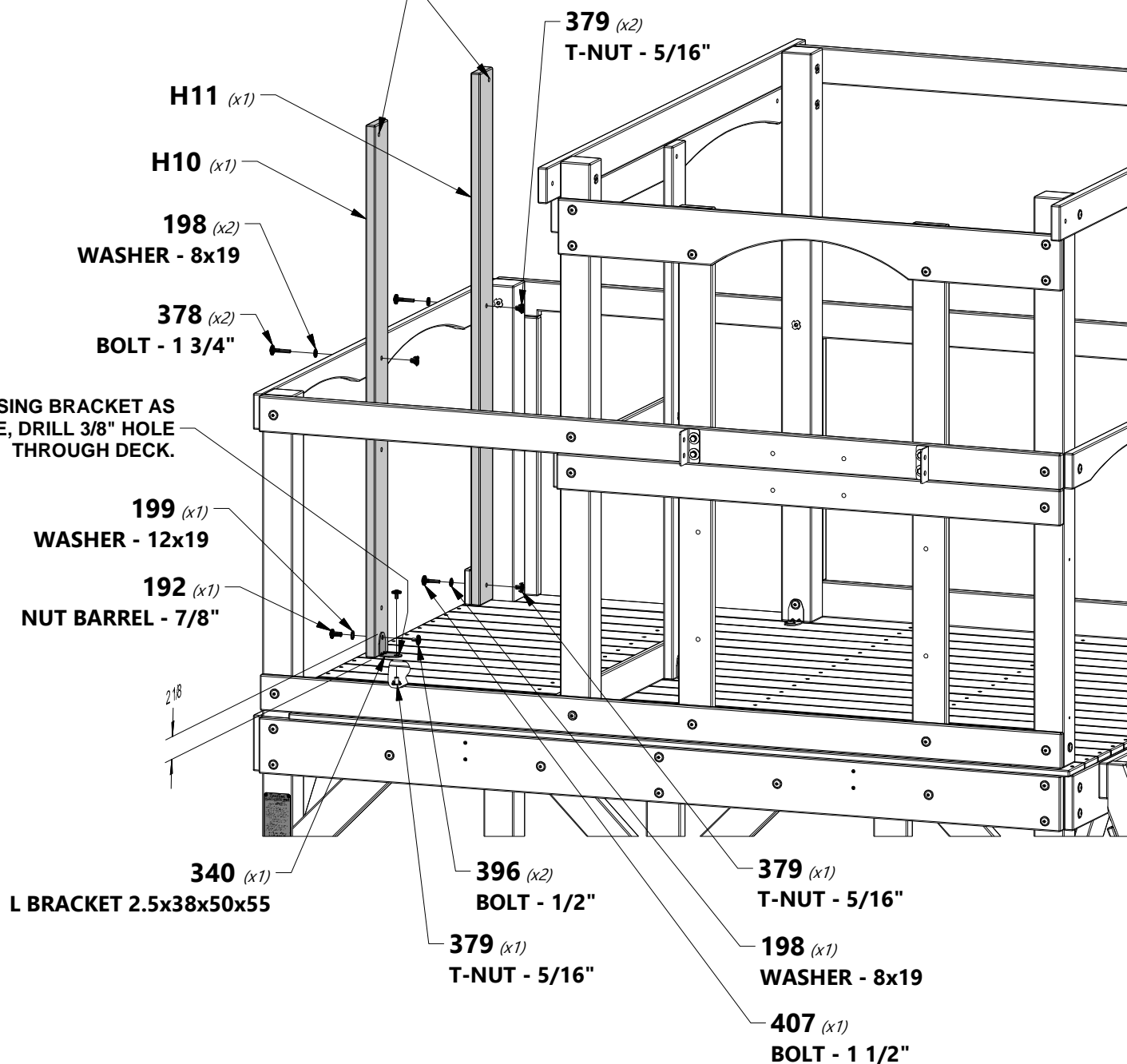


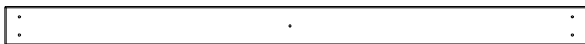
H100379 | T-NUT BLK
(4) | 5/16



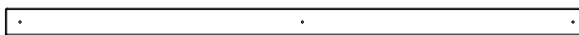
**USING BRACKET AS
AS GUIDE, DRILL 3/8" HOLE
THROUGH DECK.**

NOTE:
HOLES GO OUTWARD.





M8 | FORT WALL BOARD - W4L12750
(2) | 5/8"x3 3/8"x50 1/2" (16x86x1284)



N1 | FORT WALL BOARD - W4L12776
(2) | 5/8"x2 3/8"x50 1/2" (16x60x1284)



M9 | FORT WALL BOARD - W4L12751
(2) | 5/8"x3"x50 1/2" (16x76x1284)



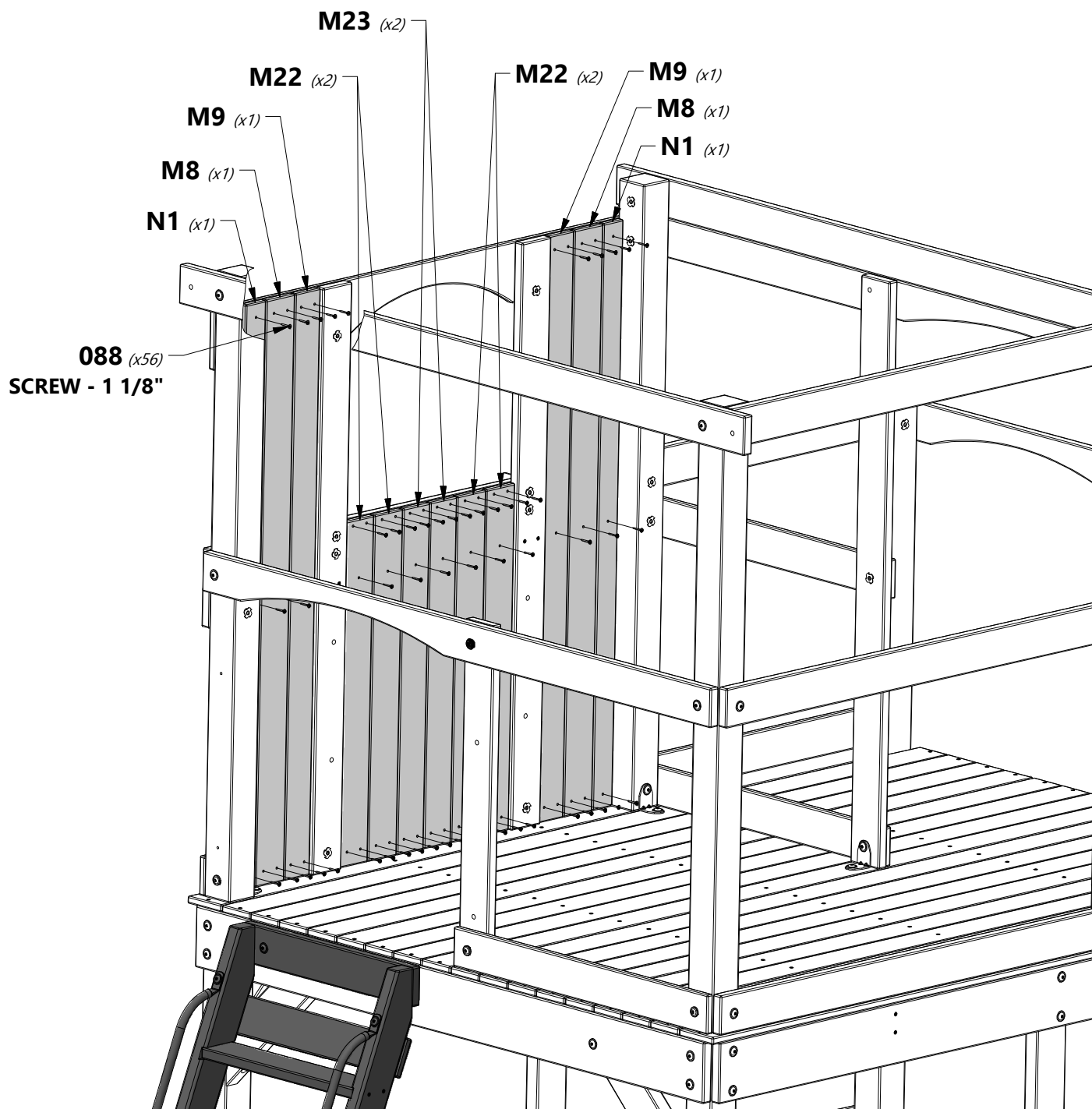
M23 | FORT WALL BOARD - W4L12763
(2) | 5/8"x3 1/8"x29 7/8" (16x80x758)



M22 | FORT WALL BOARD - W4L12762
(4) | 5/8"x3 3/8"x29 7/8" (16x86x758)



H100088 | SCREW PFH
(56) | 8x1 1/8





M6 | FORT WALL BOARD - W4L12748
(1) | 5/8"x3 3/8"x53 7/8" (16x86x1370)



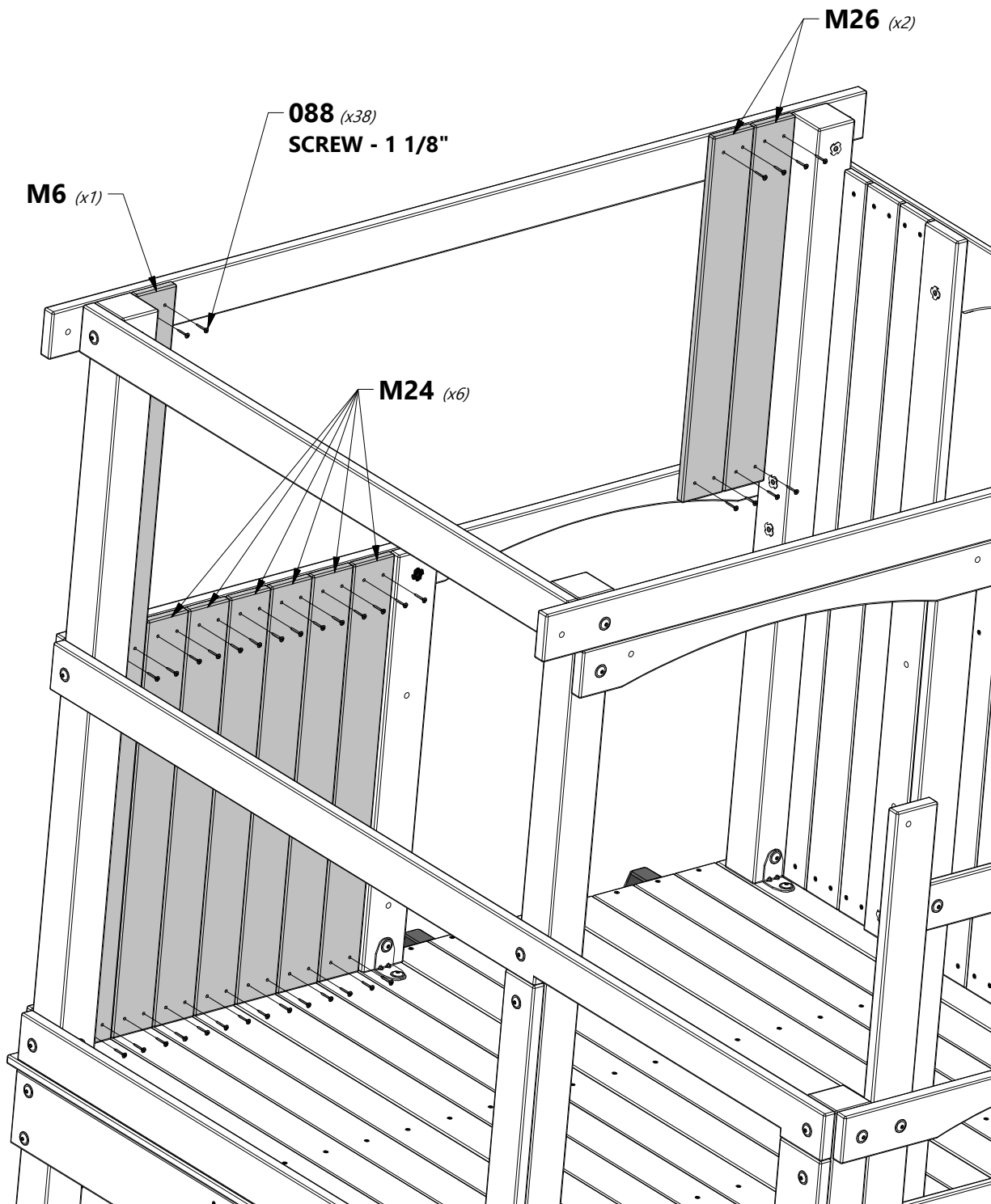
M26 | WALL BOARD - W4L12765
(2) | 5/8"x3 3/8"x26 1/8" (16x86x664)



M24 | WALL BOARD - W4L12764
(6) | 5/8"x3 3/8"x29 7/8" (16x86x758)



H100088 | SCREW PFH
(38) | 8x1 1/8





M8 | FORT WALL BOARD - W4L12750
(5) | 5/8"x3 3/8"x50 1/2" (16x86x1284)



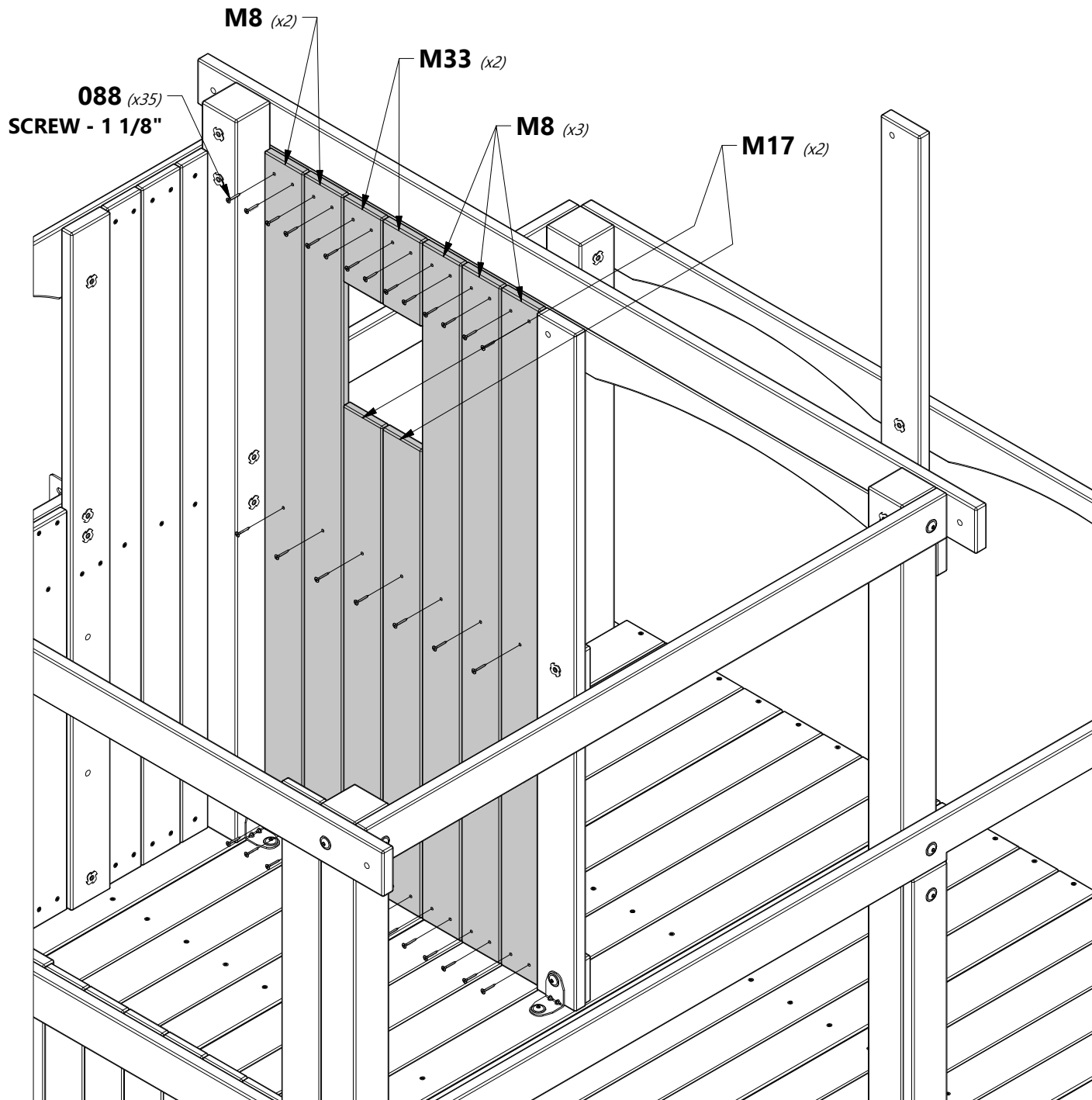
M17 | FRONT WINDOW WALL BOARD - W4L12758
(2) | 5/8"x3 3/8"x35" (16x86x889)



H100088 | SCREW PFH
(35) | 8x1 1/8



M33 | FRONT WINDOW WALL BOARD - W4L12769
(2) | 5/8"x3 3/8"x6 3/8" (16x86x162)

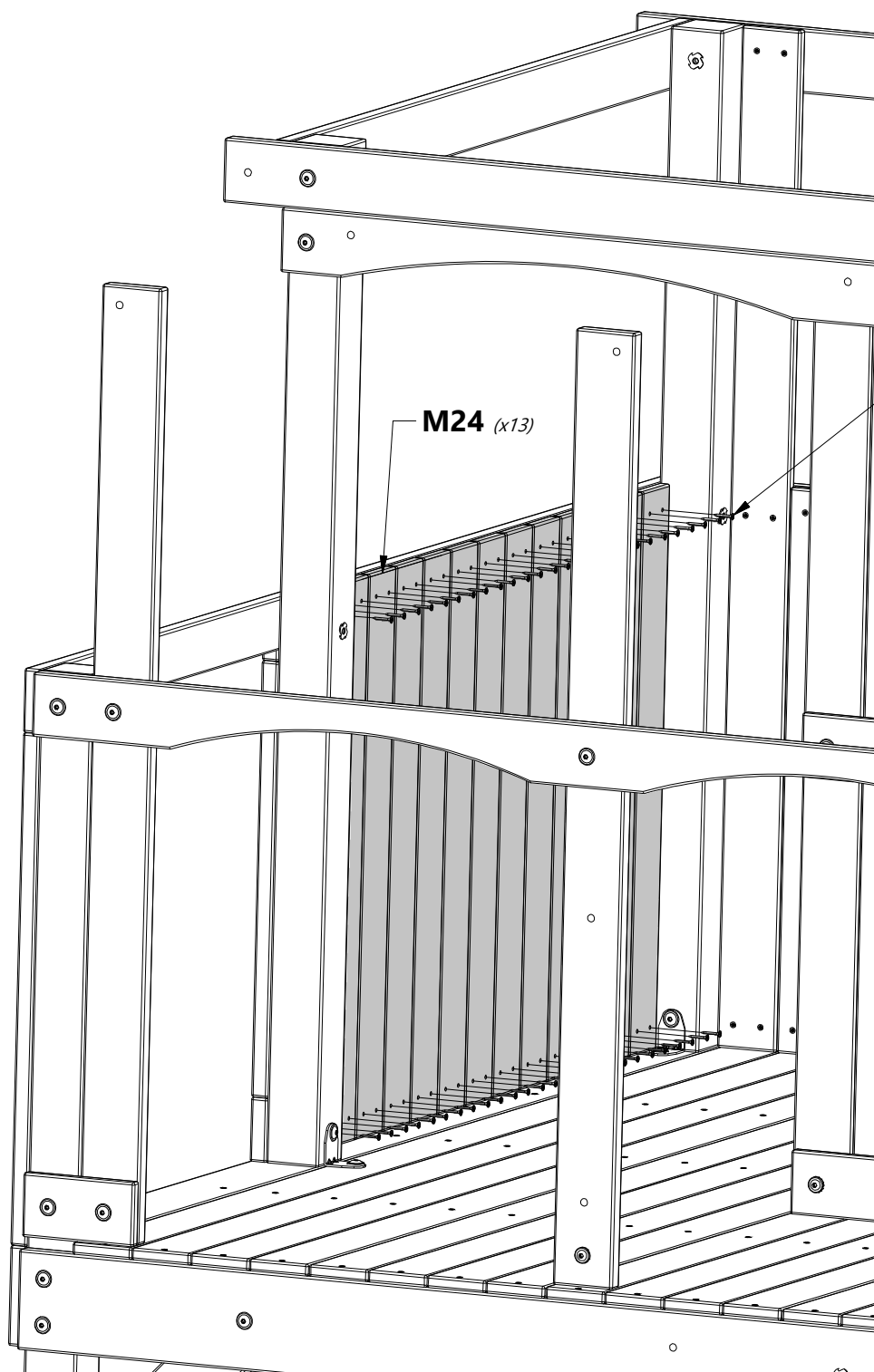




M24 | WALL BOARD - W4L12764
(13) | 5/8"x3 3/8"x29 7/8" (16x86x758)



H100088 | SCREW PFH
(52) | 8x1 1/8"

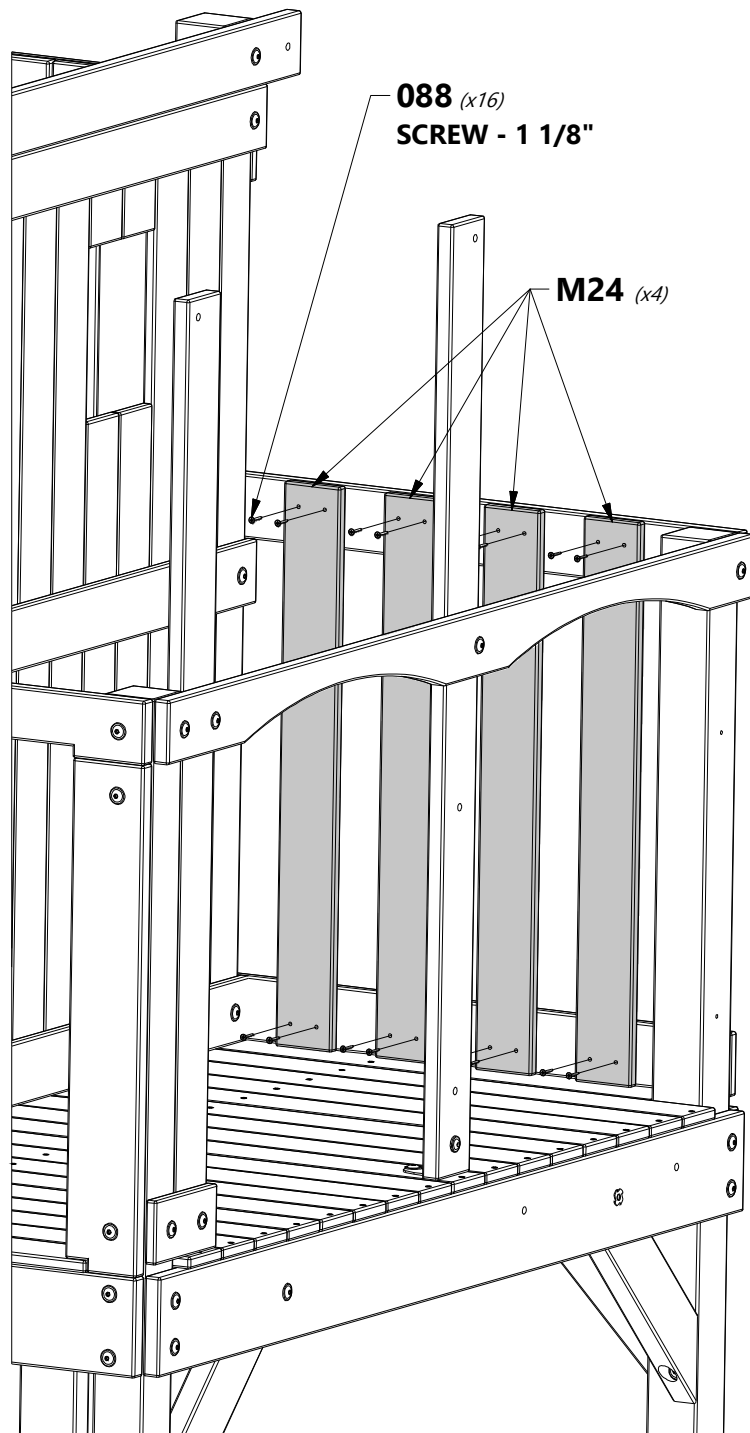




M24 | WALL BOARD - W4L12764
(4) | 5/8"x3 3/8"x29 7/8" (16x86x758)

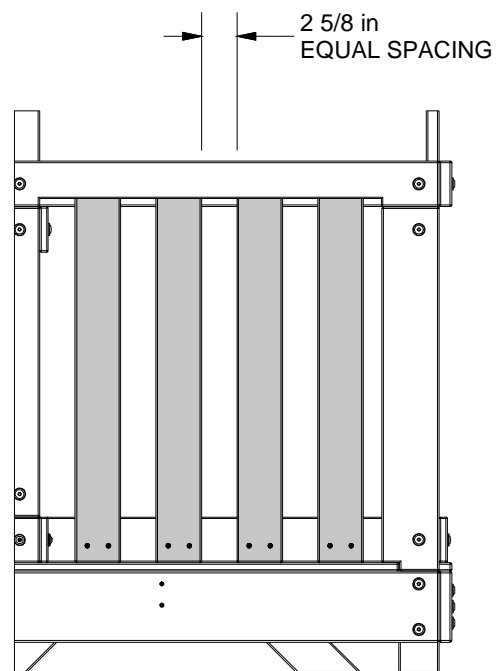


H100088 | SCREW PFH
(16) | 8x1 1/8

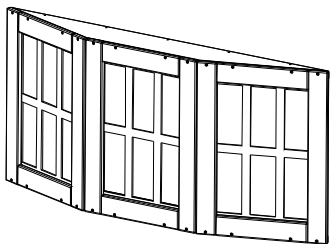


088 (x16)
SCREW - 1 1/8"

M24 (x4)



2 5/8 in
EQUAL SPACING



(2) BAY WINDOW ASSEMBLY



H100391 | SCREW PFH BLK
(20) | 8x2



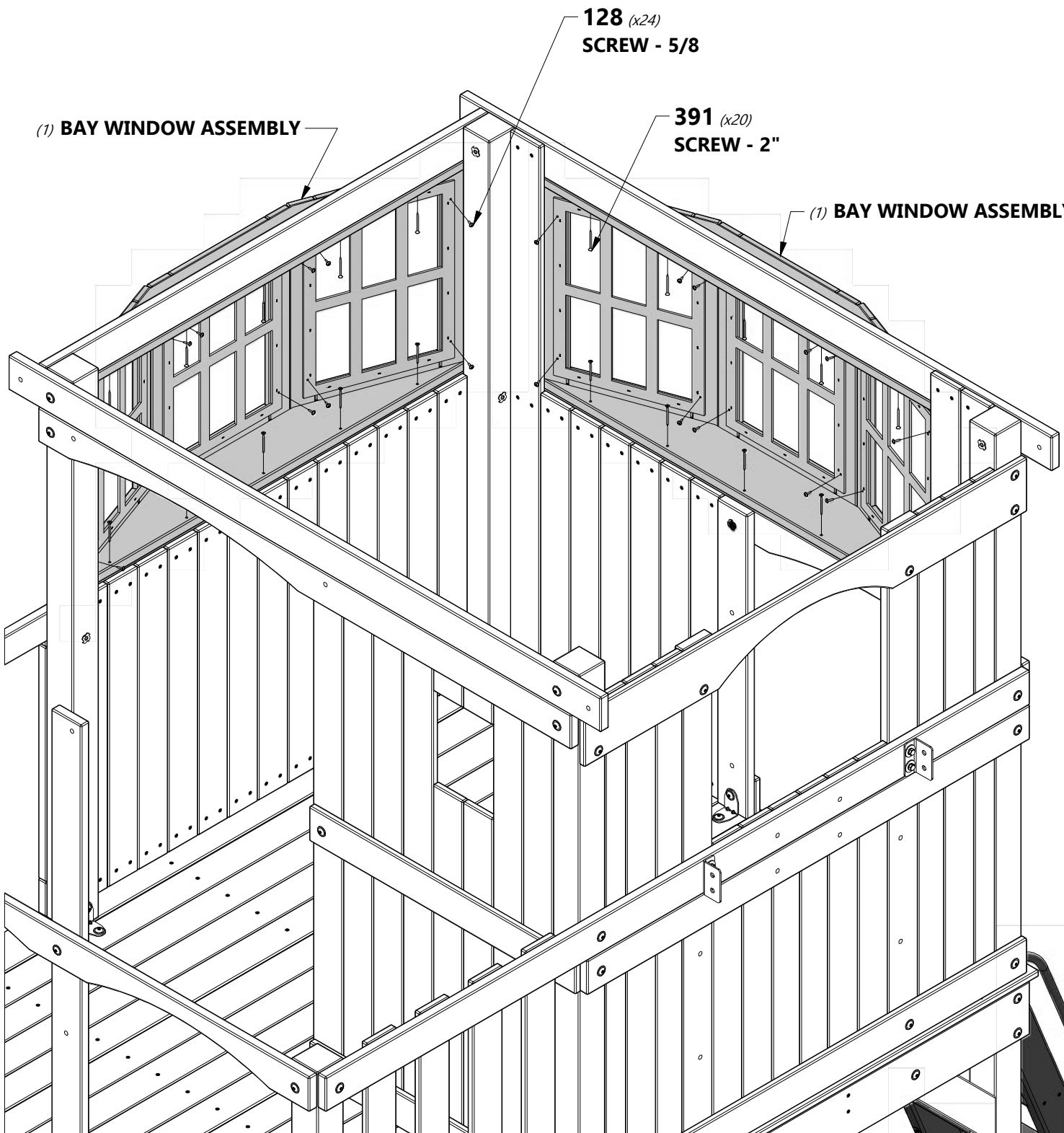
H100128 | SCREW PWH
(24) | 8x5/8

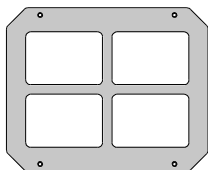
(1) BAY WINDOW ASSEMBLY

128 (x24)
SCREW - 5/8

391 (x20)
SCREW - 2"

(1) BAY WINDOW ASSEMBLY





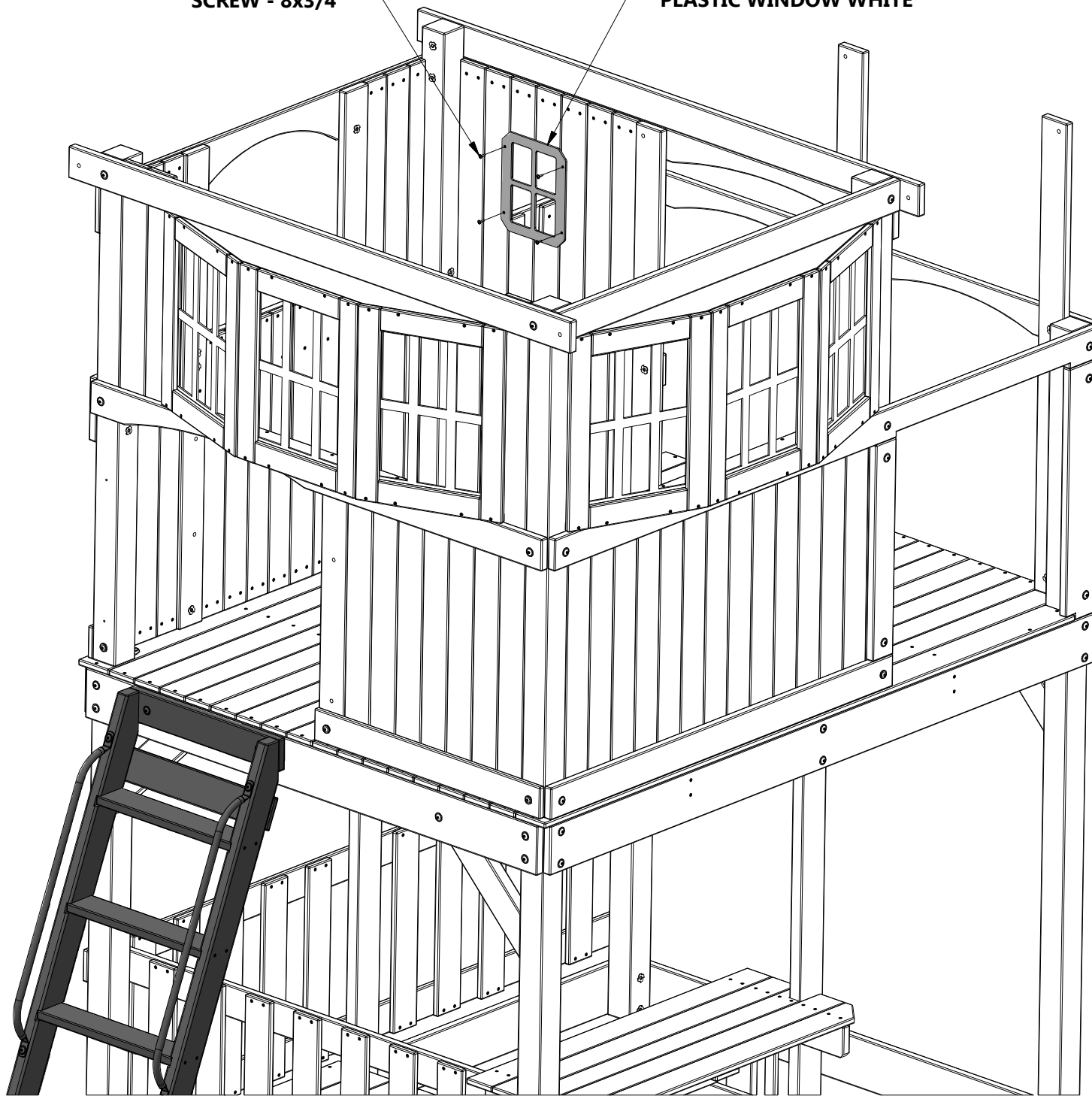
A100014 (1) | PLASTIC WINDOW WHITE



H100070 (4) | SCREW PWH
8x3/4

070 (x4)
SCREW - 8x3/4"

014 (x1)
PLASTIC WINDOW WHITE





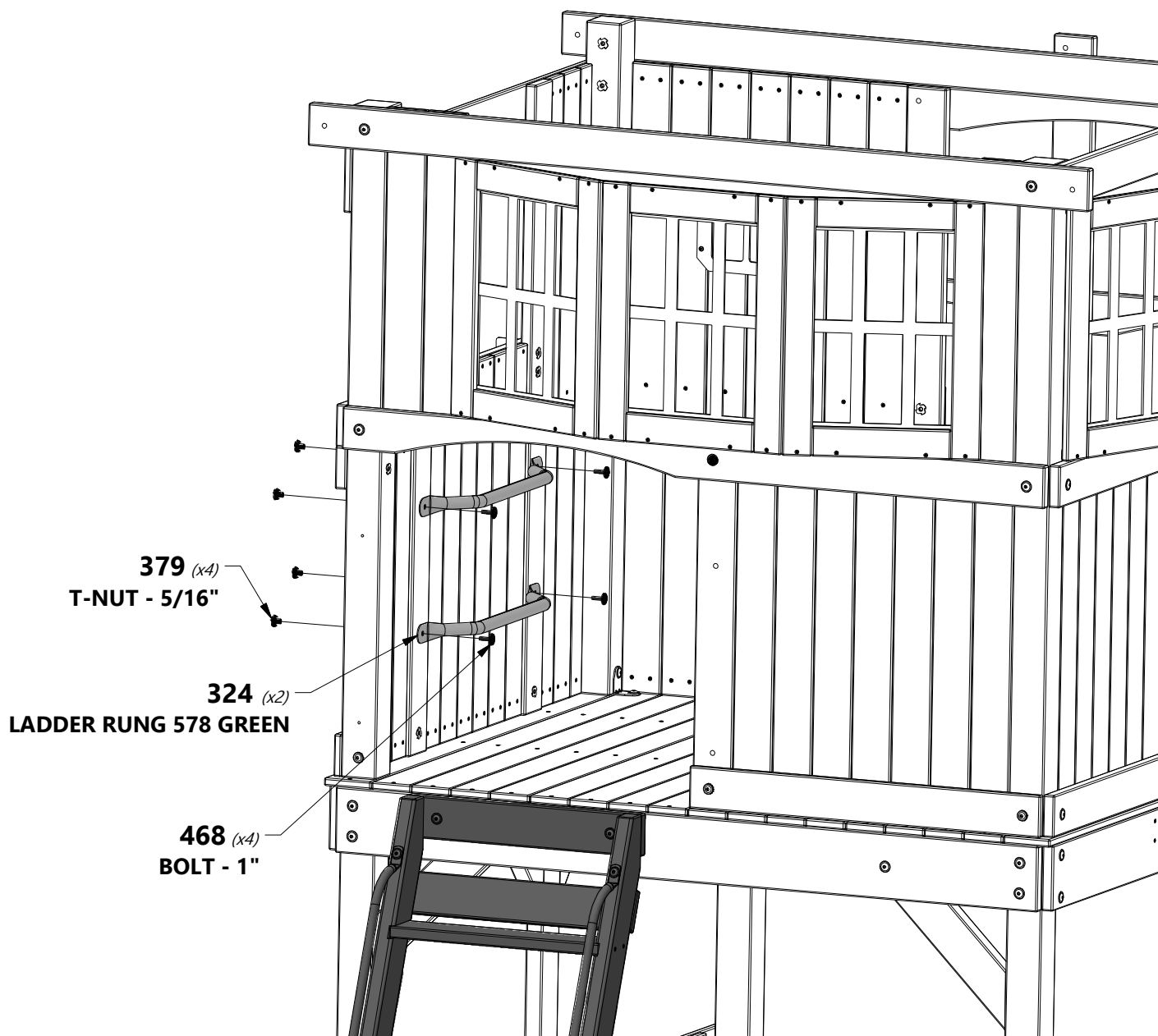
A100324 | LADDER RUNG 578 GREEN
(2)



H100468 | BOLT WH BLK
(4) | 5/16x1



H100379 | T-NUT BLK
(4) | 5/16



379 (x4)
T-NUT - 5/16"

324 (x2)
LADDER RUNG 578 GREEN

468 (x4)
BOLT - 1"



H12 | ROOF RAFTER - W4L12717
(4) | 1"x3 3/8"x50 3/8" (24x86x1278)



H100378 | BOLT WH BLK
(4) | 5/16x1 3/4



H100379 | T-NUT BLK
(4) | 5/16



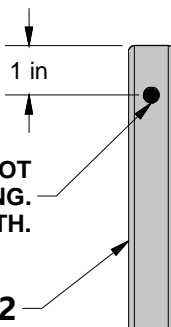
H100483 | SCREW PFH BLK
(2) | 8x2 1/4



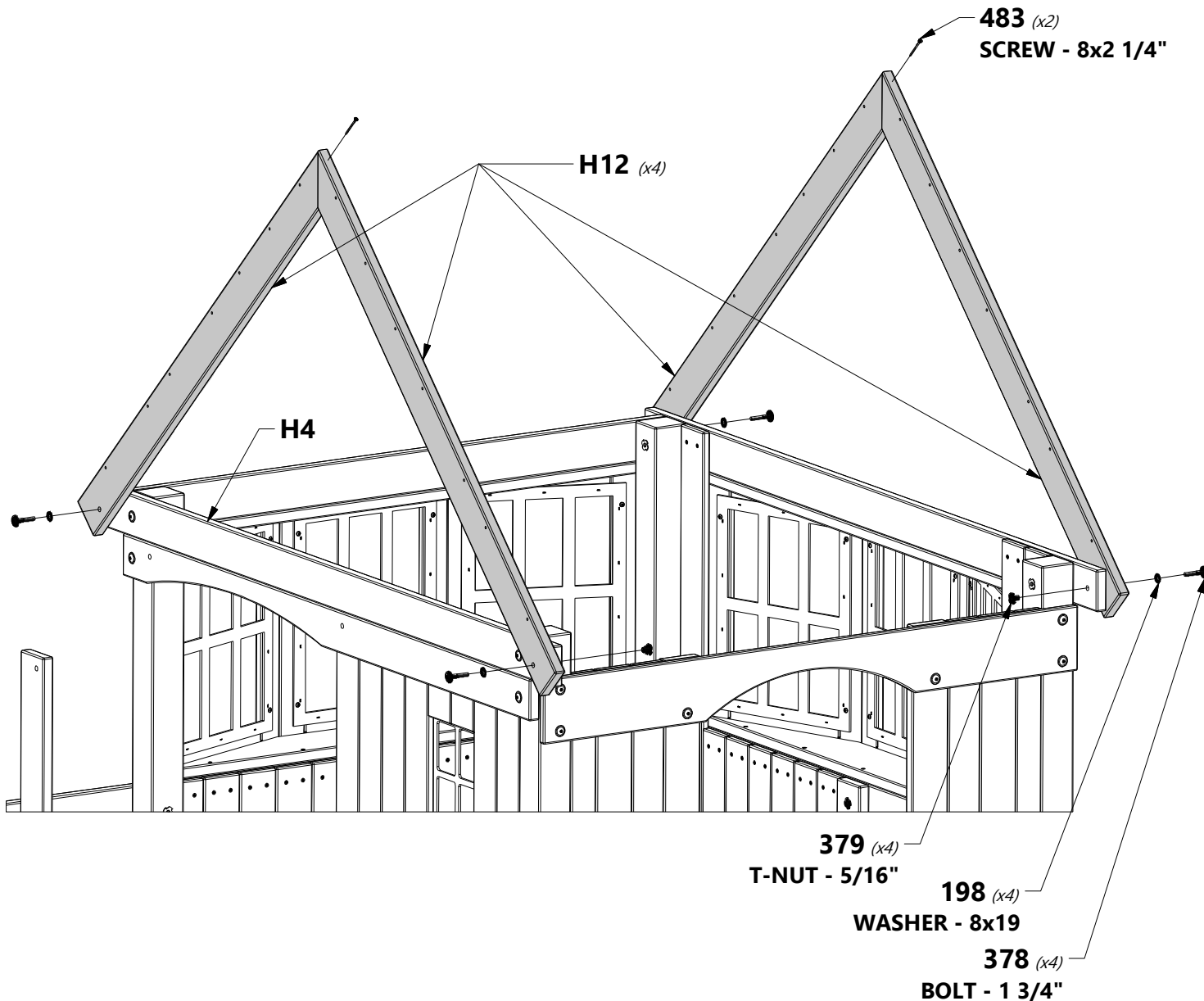
H100198 | WASHER LOCK
(4) | EXT BLK
8x19



USING A 3/16" DRILL BIT, MARK AND DRILL A PILOT HOLE INTO 'H12' RAFTER TO PREVENT SPLITTING. ONLY DRILL THROUGH ONE RAFTER NOT BOTH.



H12





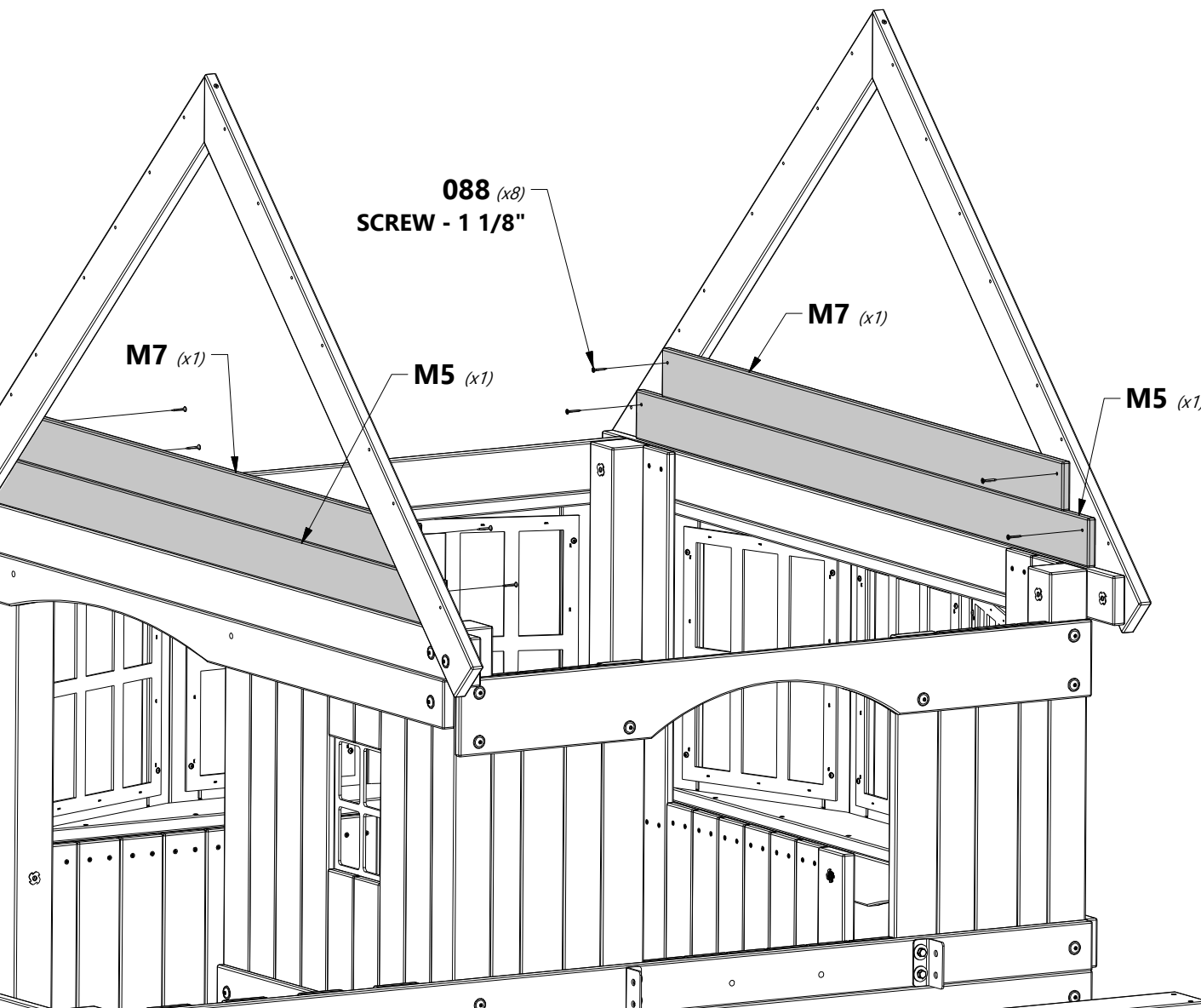
M5 | GABLE BOARD - W4L12747
(2) | 5/8"x3 3/8"x59 1/2" (16x86x1510)



M7 | GABLE BOARD - W4L12749
(2) | 5/8"x3 3/8"x52 5/8" (16x86x1338)



H100088 | SCREW PFH
(8) | 8x1 1/8

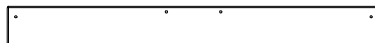




M12 | GABLE BOARD - W4L12754
(1) | 5/8"x3 3/8"x45 7/8" (16x86x1166)



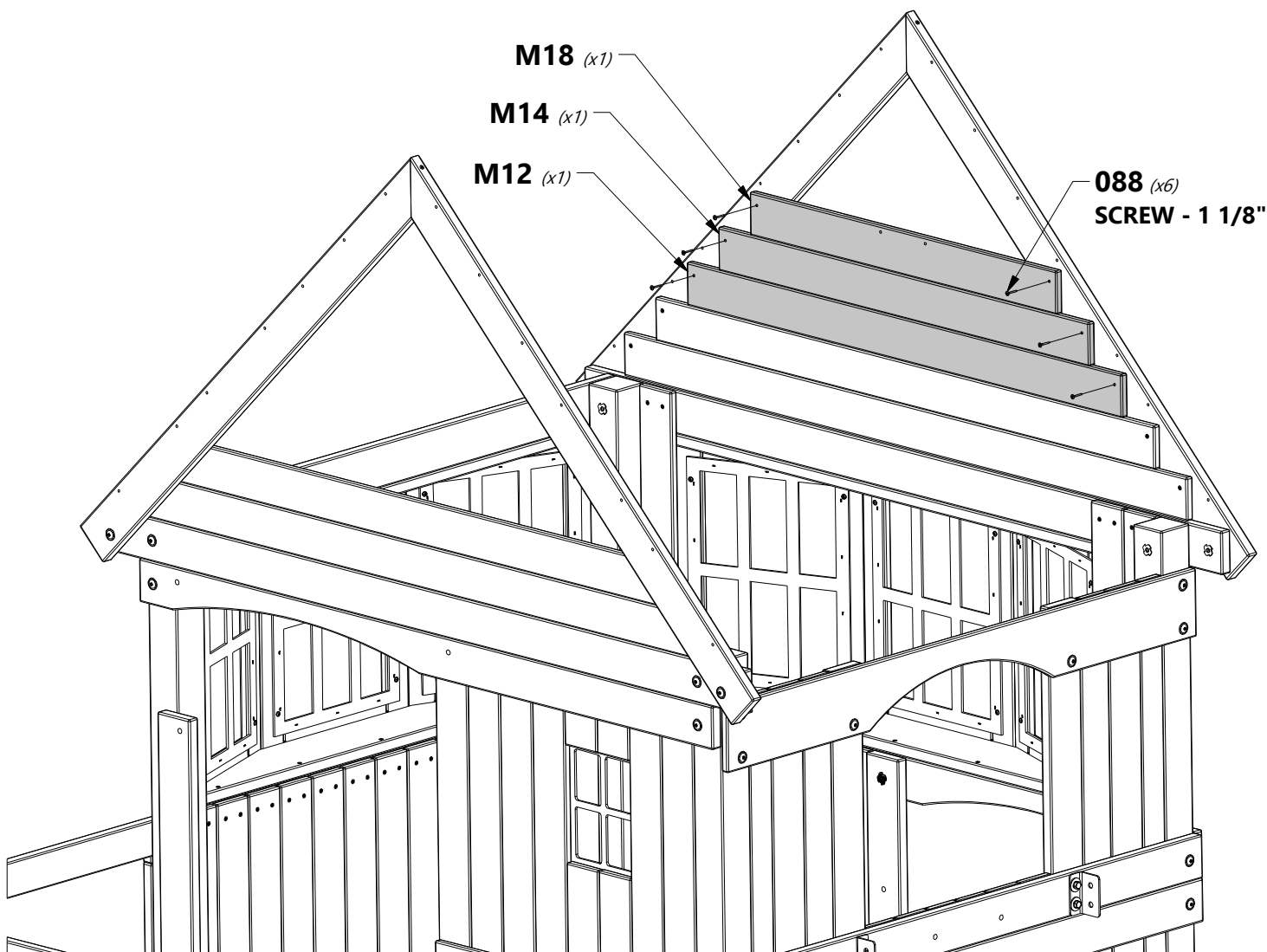
M14 | GABLE BOARD - W4L12756
(1) | 5/8"x3 3/8"x39 1/8" (16x86x994)

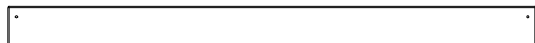


M18 | GABLE BOARD - W4L12759
(1) | 5/8"x3 3/8"x32 3/8" (16x86x822)



H100088 | SCREW PFH
(6) | 8x1 1/8"

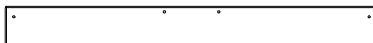




M12 | GABLE BOARD - W4L12754
(1) | 5/8"x3 3/8"x45 7/8" (16x86x1166)



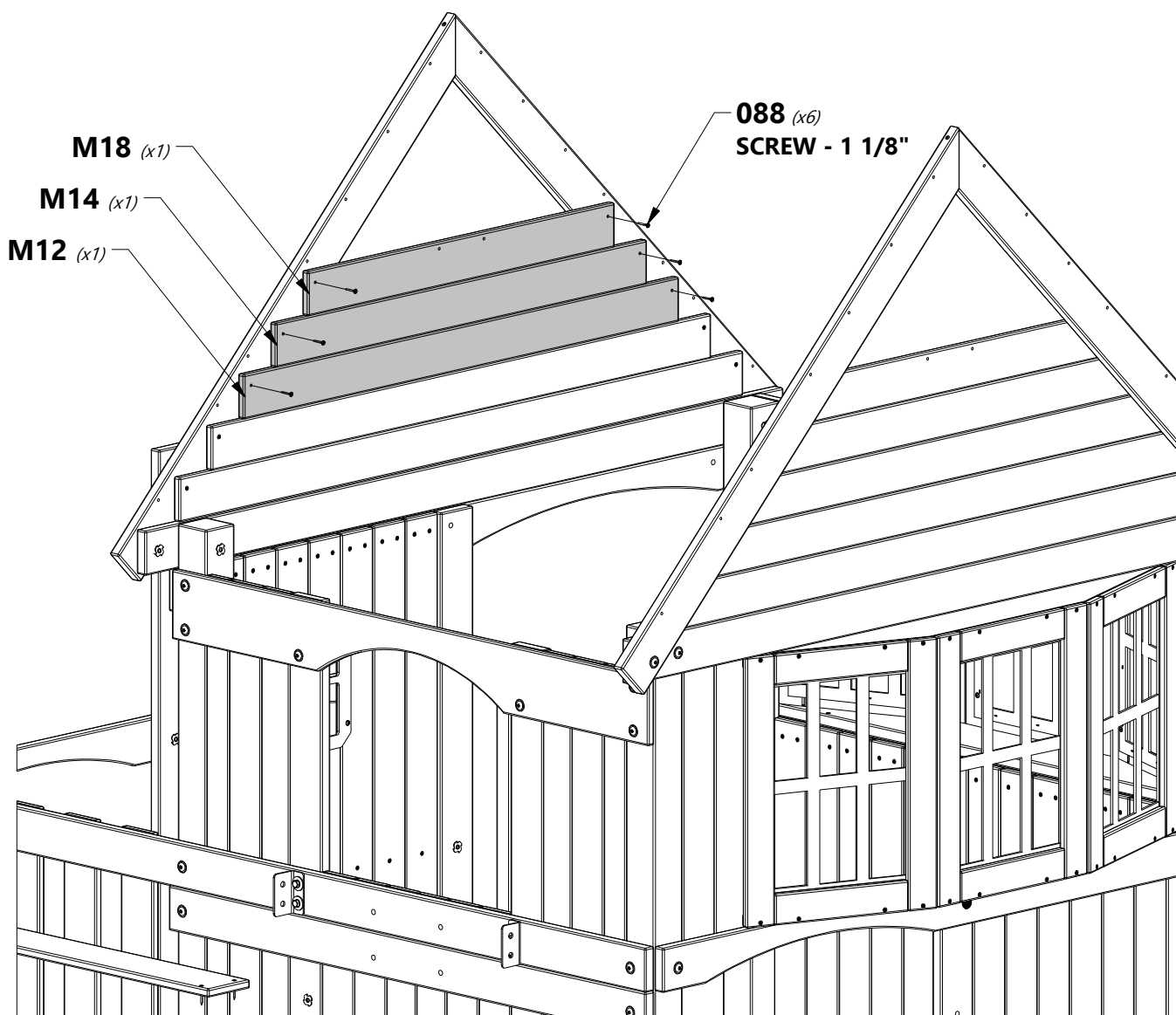
M14 | GABLE BOARD - W4L12756
(1) | 5/8"x3 3/8"x39 1/8" (16x86x994)

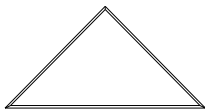


M18 | GABLE BOARD - W4L12759
(1) | 5/8"x3 3/8"x32 3/8" (16x86x822)

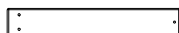


H100088 | SCREW PFH
(6) | 8x1 1/8





K6 | TRIANGLE SUNBURST - W4L12741
(2) | 5/8"x5 1/4"x10 3/8" (16x134x265)



N5 | FRONT PORCH GABLE TRIM - W4L12780
(2) | 5/8"x2 3/8"x15" (16x60x381)



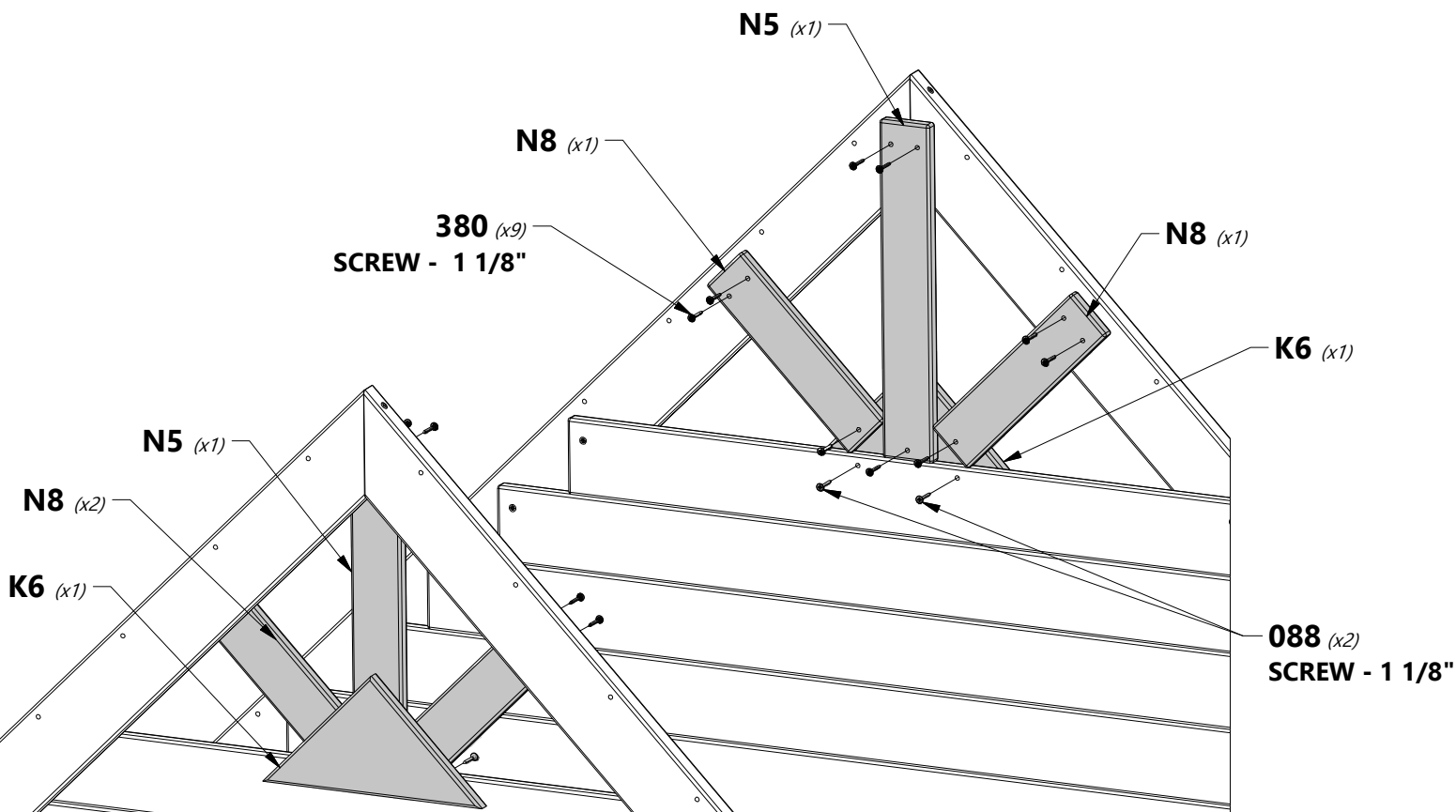
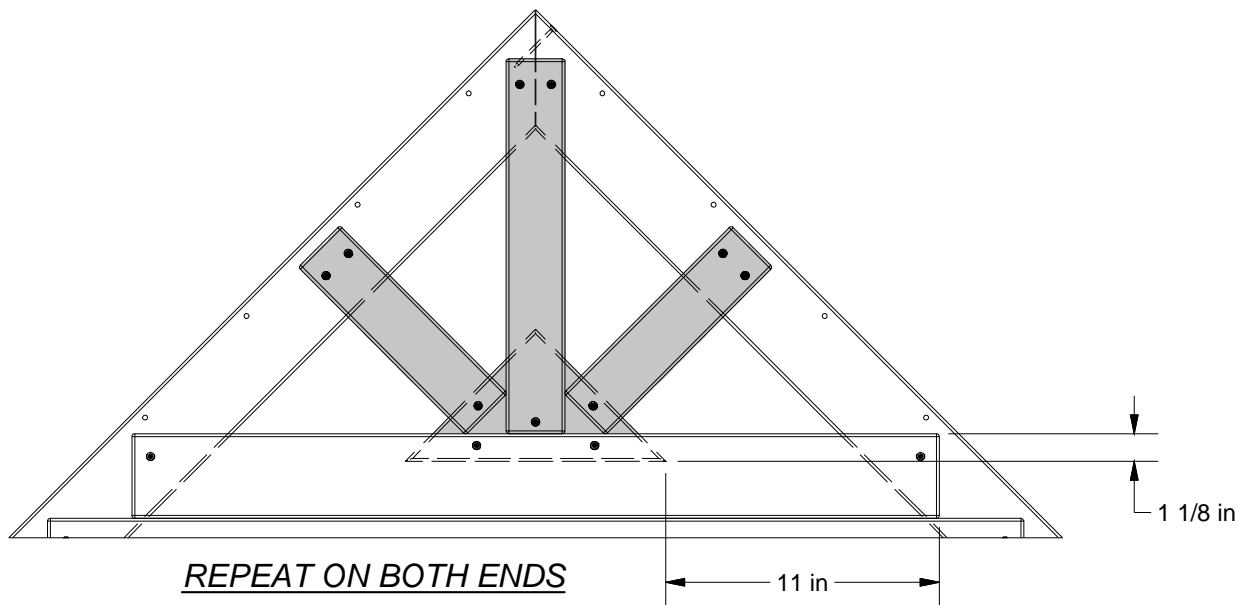
N8 | FRONT PORCH GABLE TRIM - W4L12782
(4) | 5/8"x2 3/8"x9 1/2" (16x60x241)

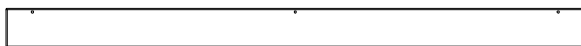


H100380 | SCREW PFH BLK
(18) | 8x1 1/8



H100088 | SCREW PFH
(4) | 8x1 1/8





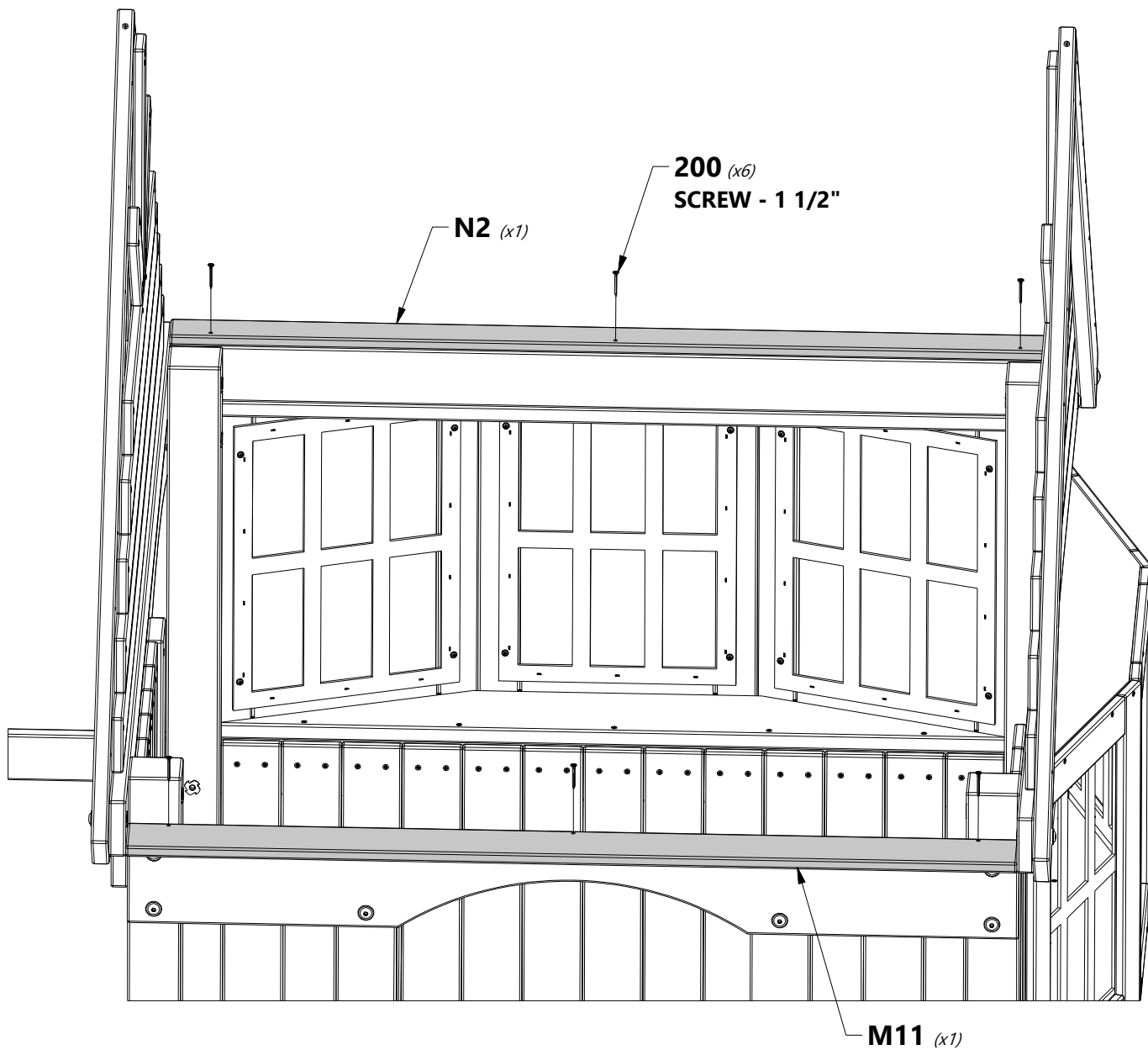
M11 | SOFFIT CAP - W4L12753
(1) | 5/8"x3 3/8"x50 1/4" (16x86x1277)

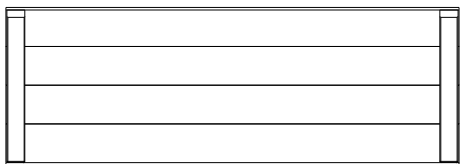


N2 | SOFFIT CAP - W4L12777
(1) | 5/8"x2 3/8"x50 1/4" (16x60x1277)

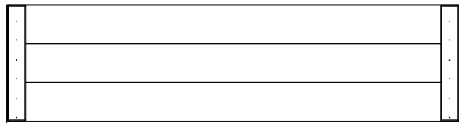


H100200 | SCREW PFH BLK
(6) | 8x1 1/2





RP3 | PEAK ROOF PANEL - W2A02652
(1) | 1 5/8"x20 5/8"x59" (42x524x1499)



RP6 | ROOF PANEL - W2A02655
(2) | 1 5/8"x15 5/8"x59" (42x396x1499)

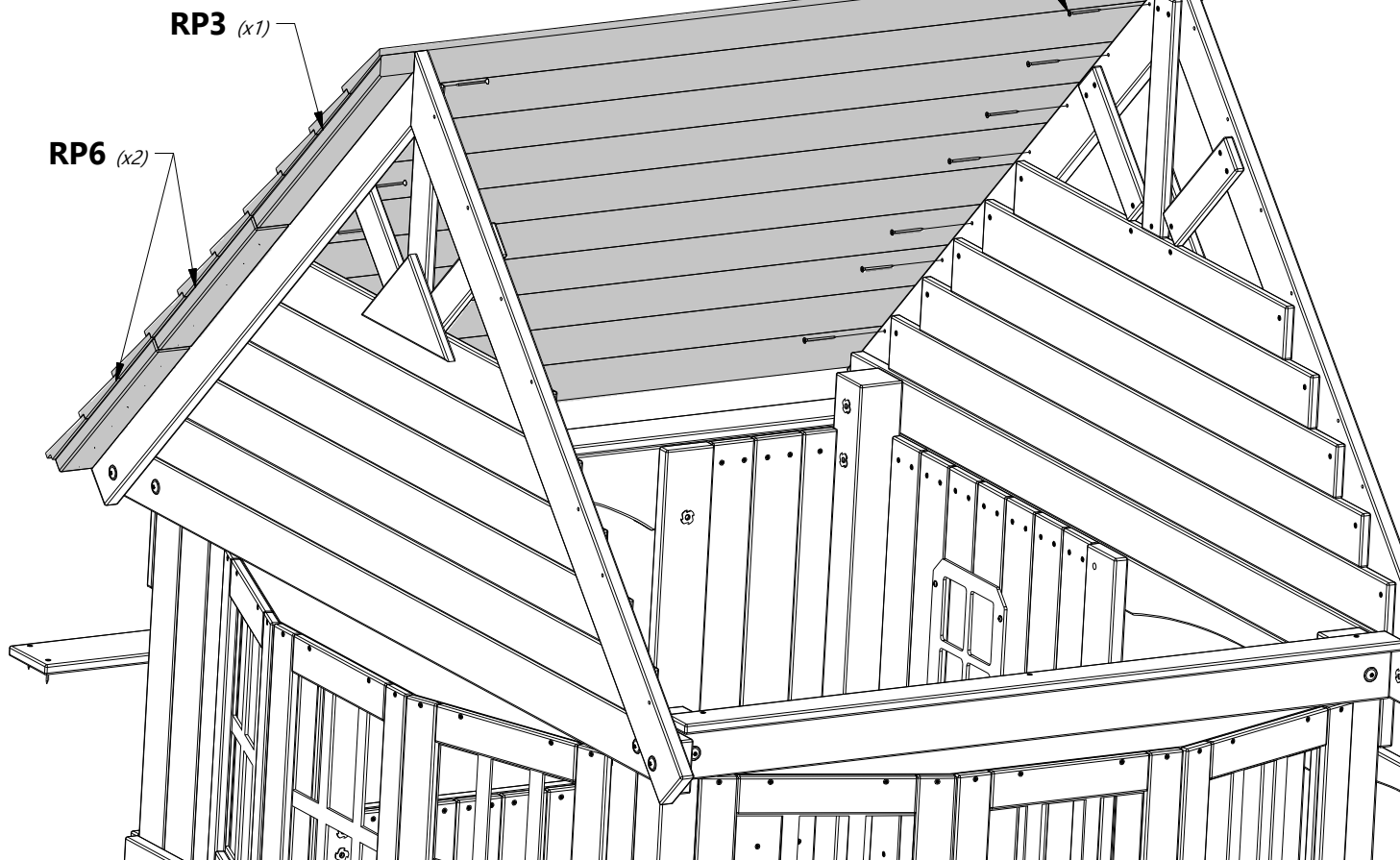


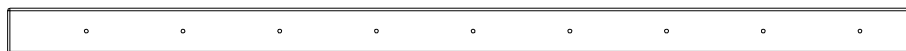
H100483 | SCREW PFH BLK
(14) | 8x2 1/4"



NOTE:
START WITH TOP PANEL FIRST.
FLUSH EDGES.

483 (x14)
SCREW - 8x2 1/4"

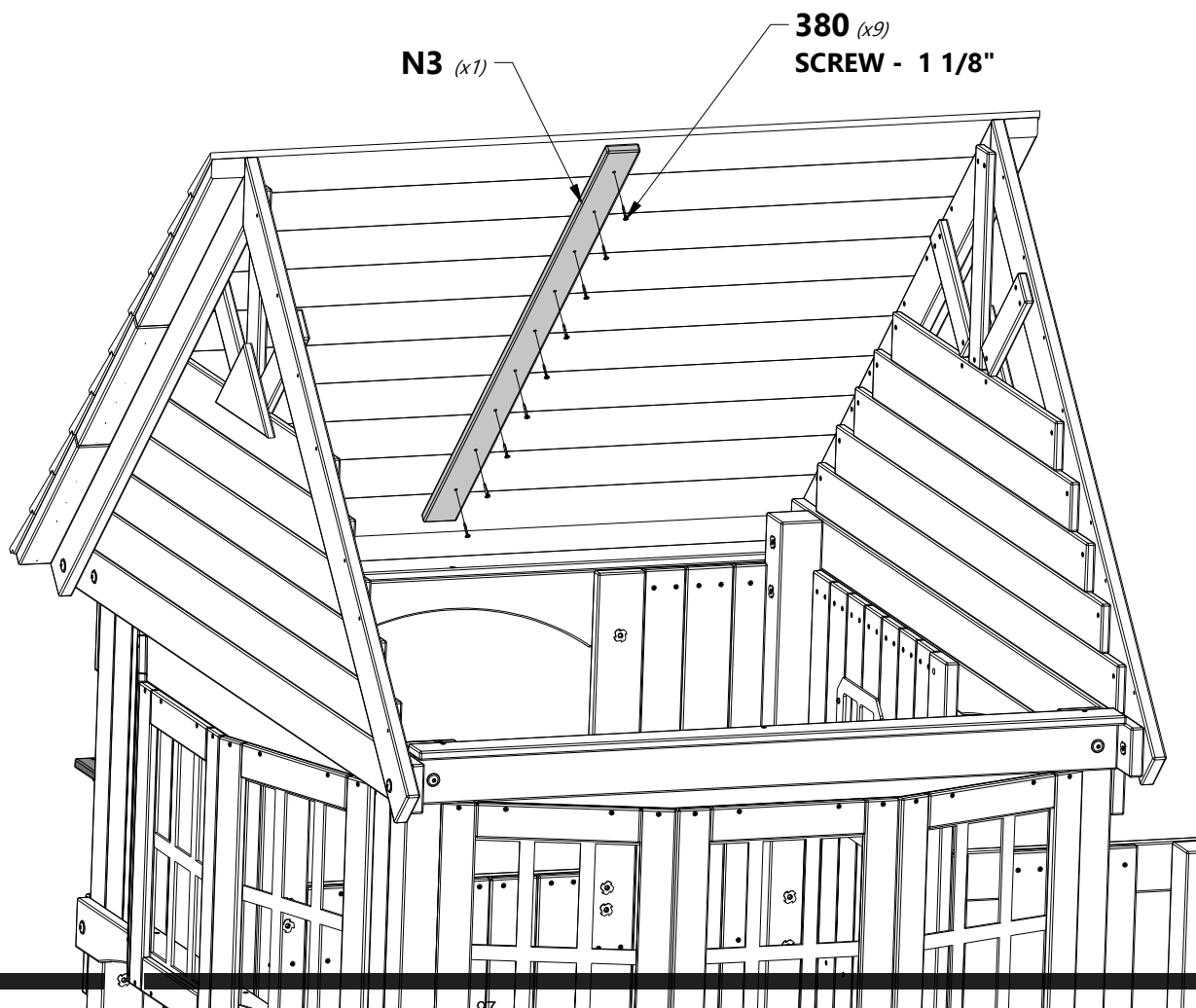
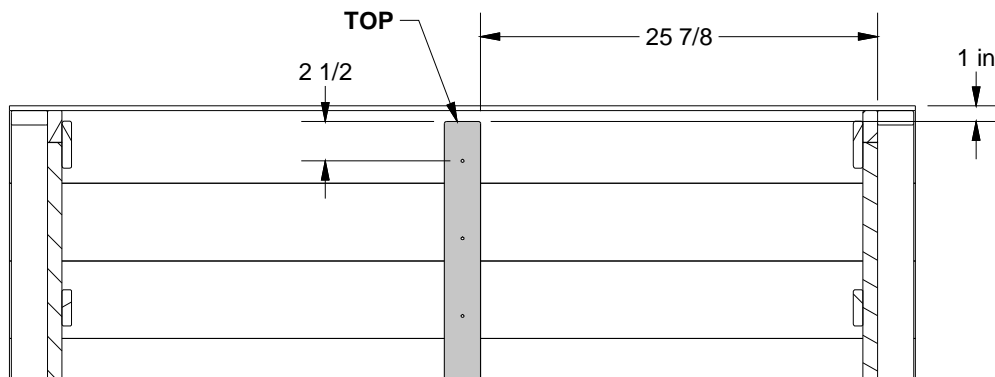




N3 ROOF SUPPORT - W4L12778
(1) 5/8"x2 3/8"x47" (16x60x1193)

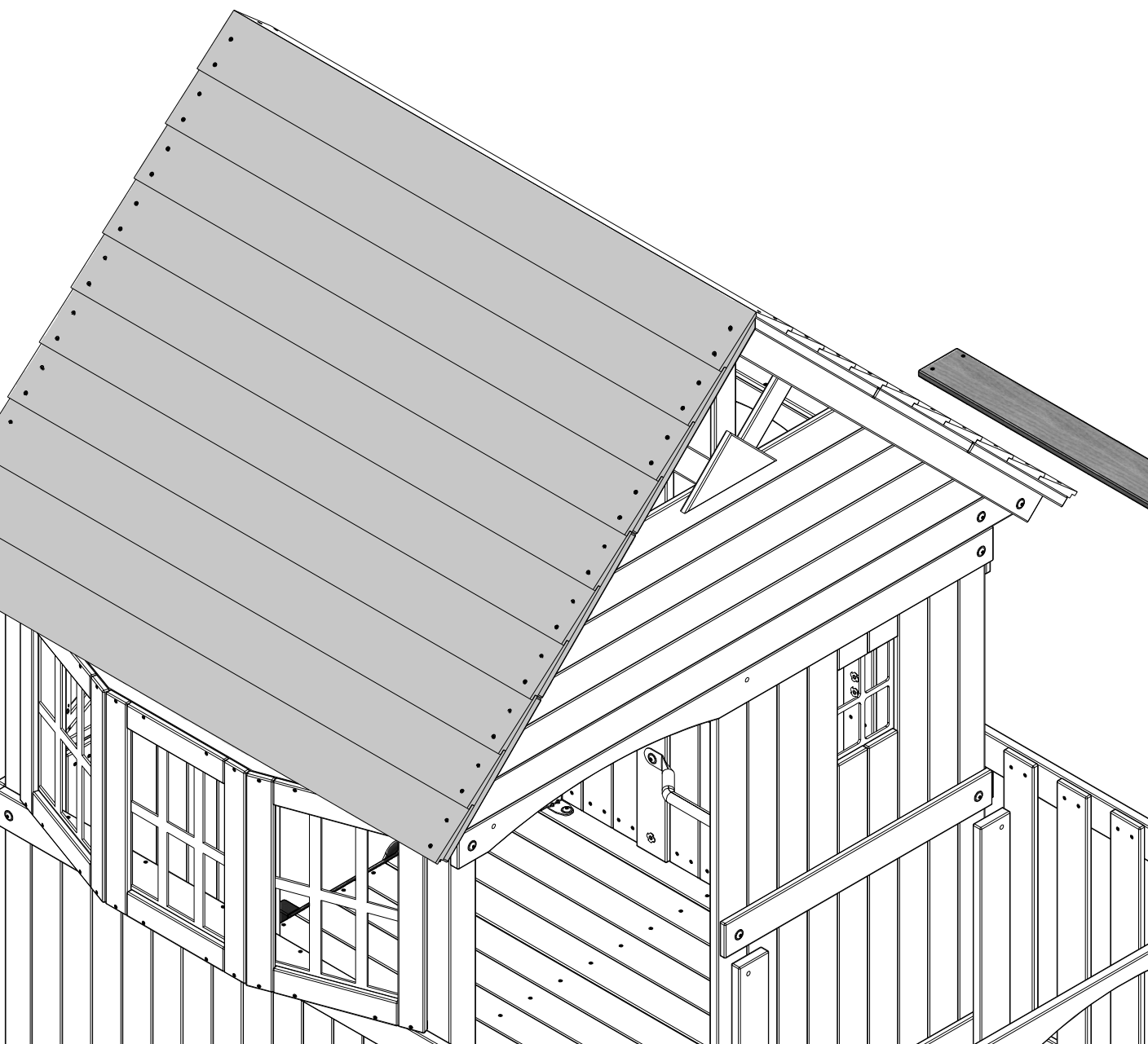


H100380 SCREW PFH BLK
(9) 8x1 1/8





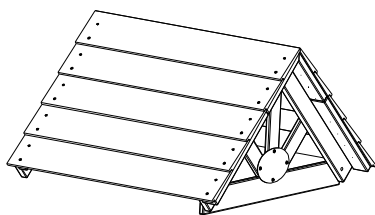
REPEAT STEPS 48 & 49 TO ATTACH LEFT SIDE ROOF PANELS.





FORT ASSEMBLY

STEP 51



(1) PORCH ROOF ASSEMBLY



H100195 | BOLT WH BLK
(1) | 5/16x2-3/4



H100194 | BOLT WH BLK
(2) | 5/16x2 1/2



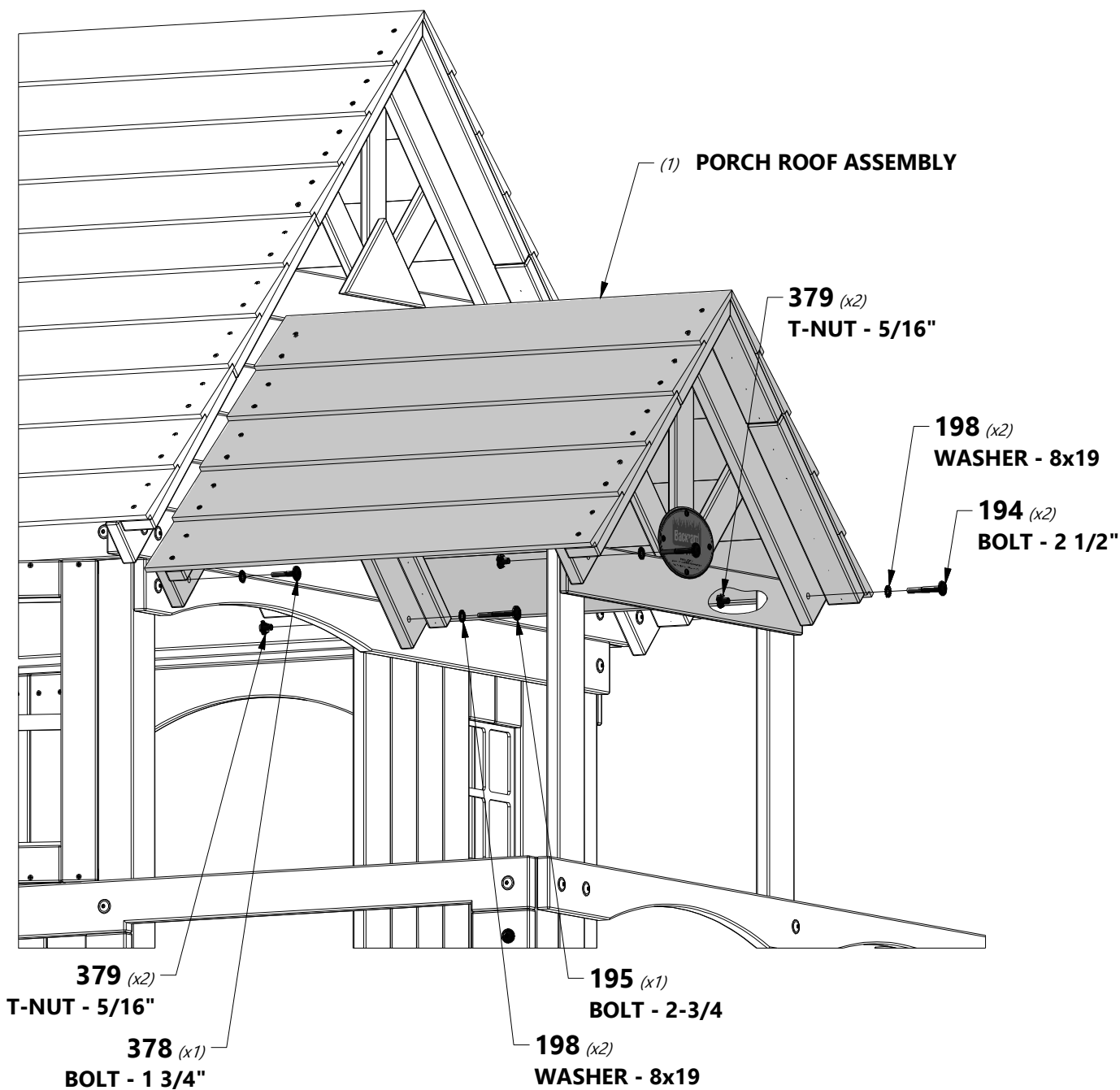
H100378 | BOLT WH BLK
(1) | 5/16x1 3/4

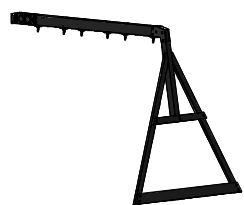


H100379 | T-NUT BLK
(4) | 5/16



H100198 | WASHER LOCK
(4) | EXT BLK
8x19





(1) SWING BEAM ASSEMBLY



H100657 | BOLT HEX BLK
(4) | 5/16x1 3/4



H100478 | WASHER FLAT
(4) | BLK
8x27



H100477 | WASHER SPLIT
(4) | BLK
5/16



H100379 | T-NUT BLK
(4) | 5/16

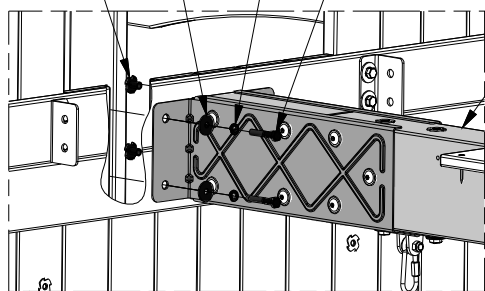
478 (x4)
WASHER - 8x27

477 (x4)
WASHER - 5/16

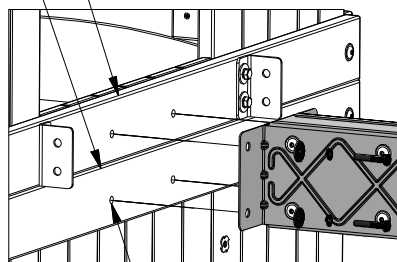
379 (x4)
T-NUT - 5/16"

657 (x4)
BOLT - 5/16x1 3/4

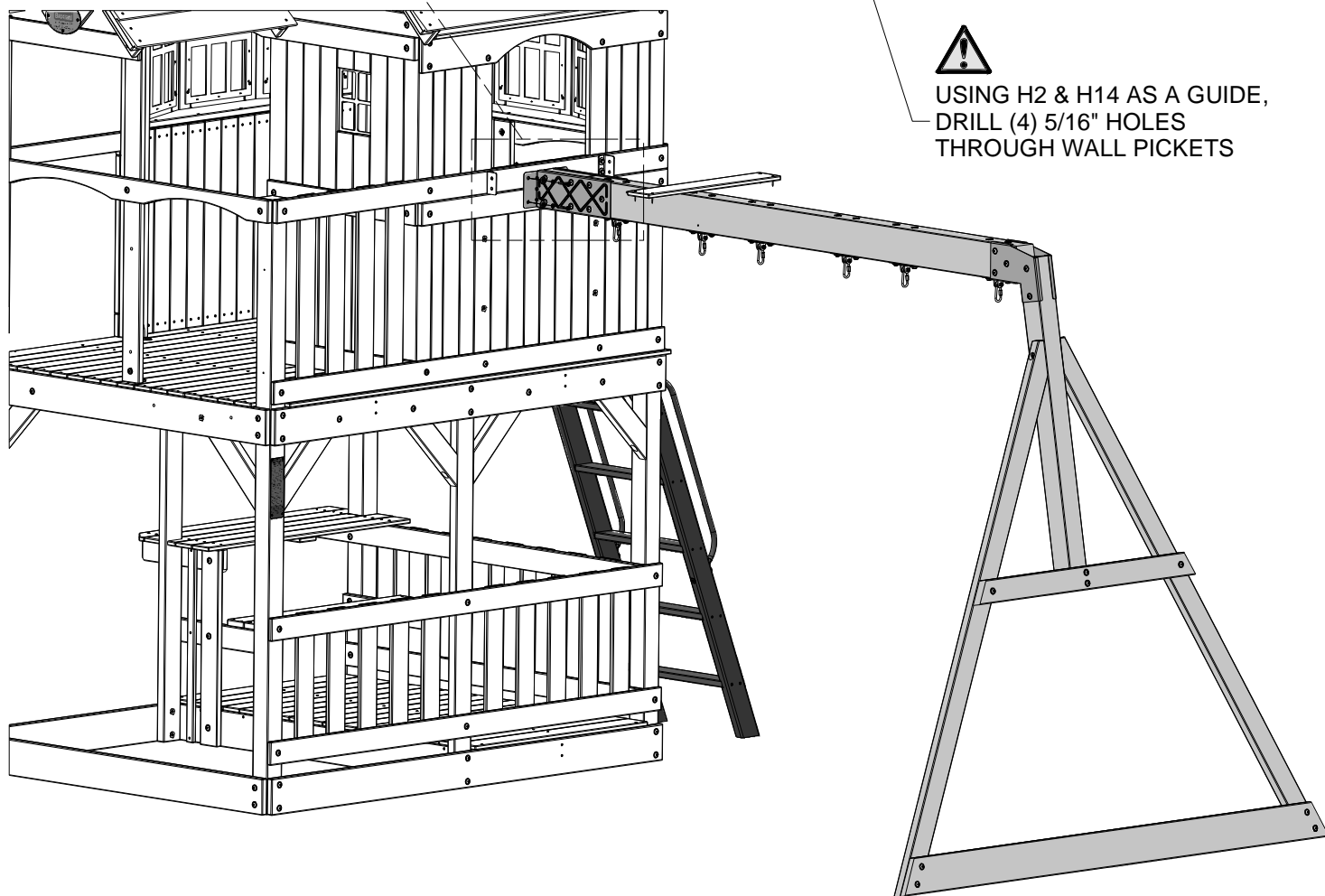
(1) SWING BEAM ASSEMBLY

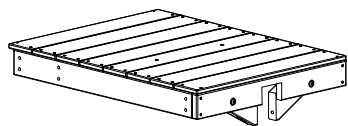


H2
H14



USING H2 & H14 AS A GUIDE,
DRILL (4) 5/16" HOLES
THROUGH WALL PICKETS





(1) CROWS NEST DECK ASSEMBLY



H100197 | LAG SCREW WH BLK
(2) | 5/16x2 1/2



H100192 | NUT BARREL WH BLK
(4) | 5/16x7/8



H100481 | BOLT HEX BLK
(4) | 5/16x1 1/4



H100086 | SCREW PFH
(2) | 8x1 1/2



H100478 | WASHER FLAT BLK
(4) | 8x27



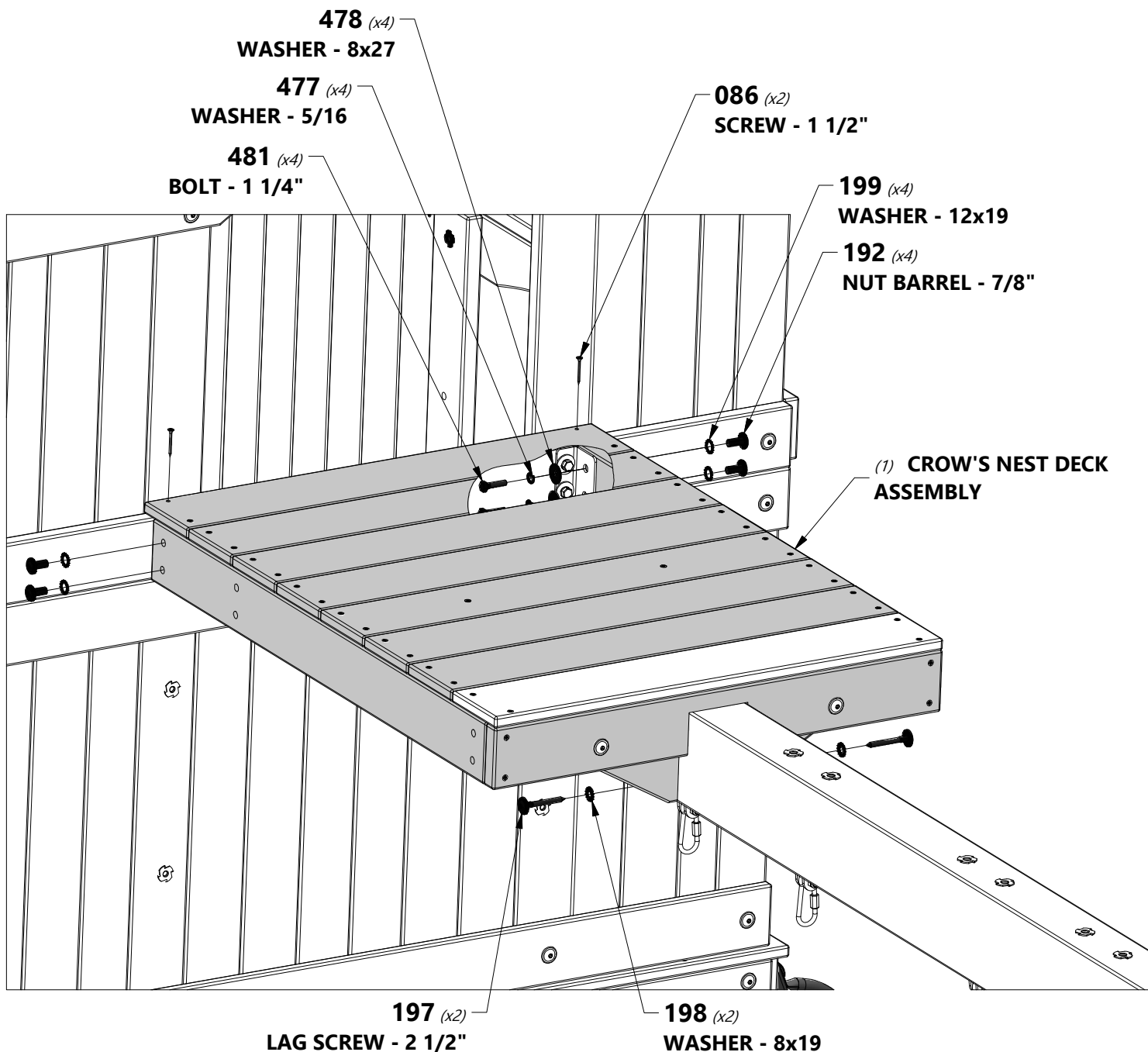
H100477 | WASHER SPLIT BLK
(4) | 5/16

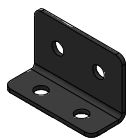


H100198 | WASHER LOCK EXT BLK
(2) | 8x19



H100199 | WASHER LOCK EXT BLK
(4) | 12x19





A100396 | L BRACKET 51x32x82x3.175
(2)



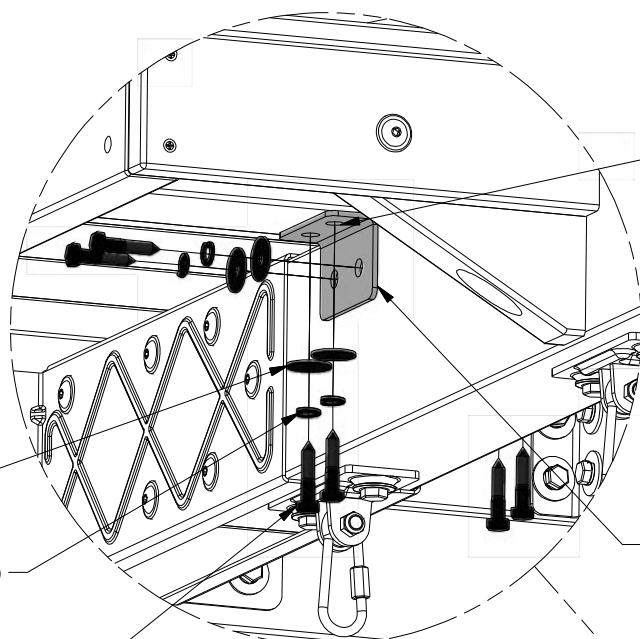
H100659 | LAG SCREW BLK
(8) 5/16x1 1/2



H100477 | WASHER SPLIT
(8) BLK 5/16



H100478 | WASHER FLAT
(8) BLK 8x27



USING BRACKET AS A GUIDE.
DRILL 3/16" DIA PILOT HOLES 1" IN DEPTH.
(2 PLCS EACH SIDE).

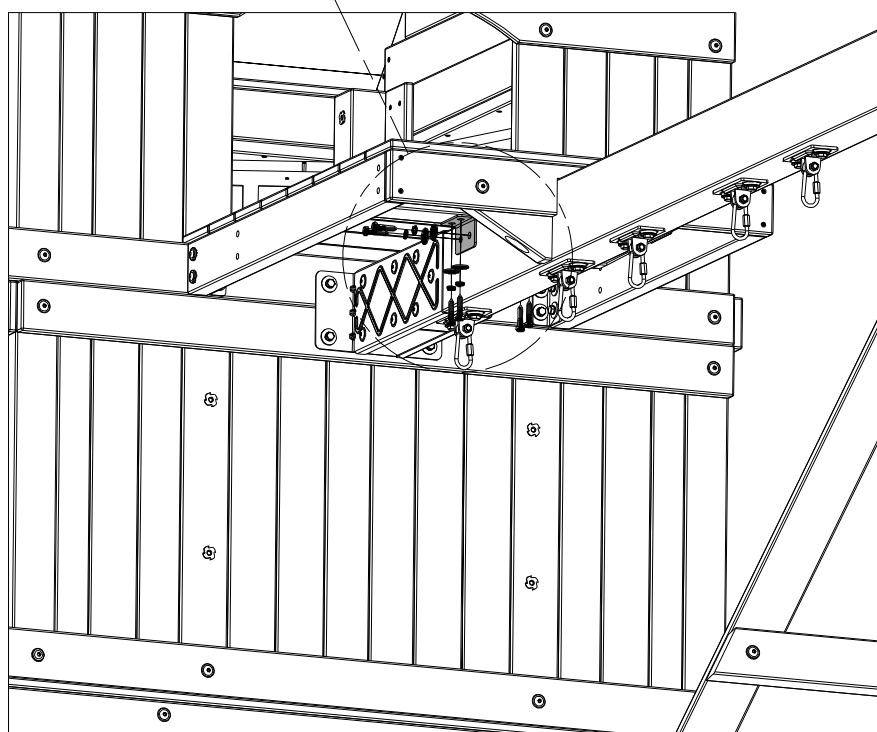
478 (x4)
WASHER - 8x27

477 (x4)
WASHER - 5/16

659 (x4)
LAG SCREW - 1 1/2"

396 (x2)
L BRACKET 51x32x82x3.175

REPEAT ON OTHER SIDE





F3 | CROWS NEST WALL SUPPORT - W4L12697
(2) | 1 3/8"x2 3/8"x37 1/2" (36x60x952)



F2 | CROWS NEST WALL SUPPORT - W4L12696
(2) | 1 3/8"x2 3/8"x37 1/2" (36x60x952)



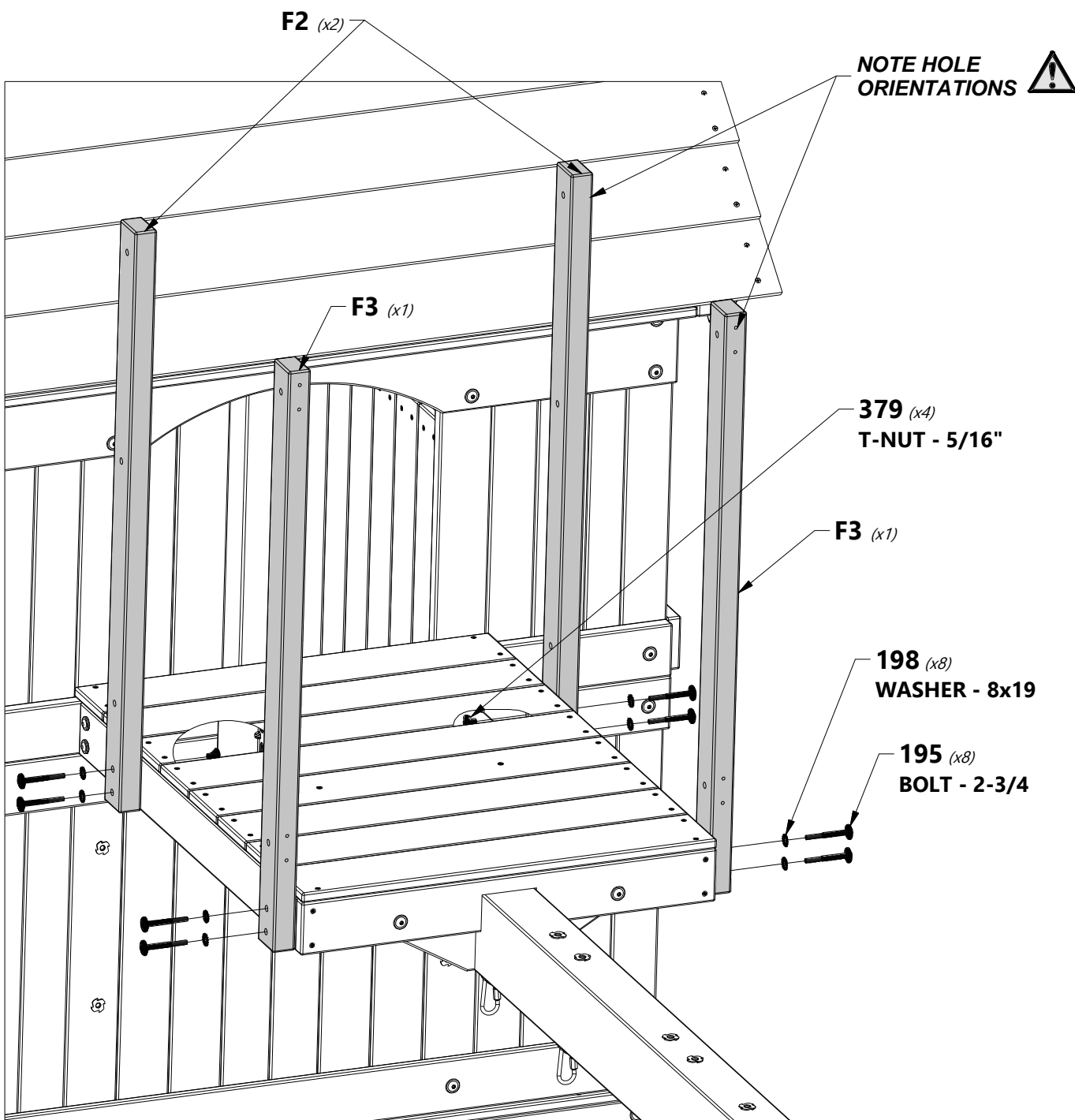
H100195 | BOLT WH BLK
(8) | 5/16x2-3/4



H100379 | T-NUT BLK
(4) | 5/16



H100198 | WASHER LOCK
(8) | EXT BLK
8x19





H31 | CROWS NEST WALL RAIL - W4L12734
(2) | 1"x3 3/8"x34 1/2" (24x86x876)



H30 | CROWS NEST WALL RAIL - W4L12733
(1) | 1"x3 3/8"x29 7/8" (24x86x758)



H100197 | LAG SCREW WH BLK
(4) | 5/16x2 1/2



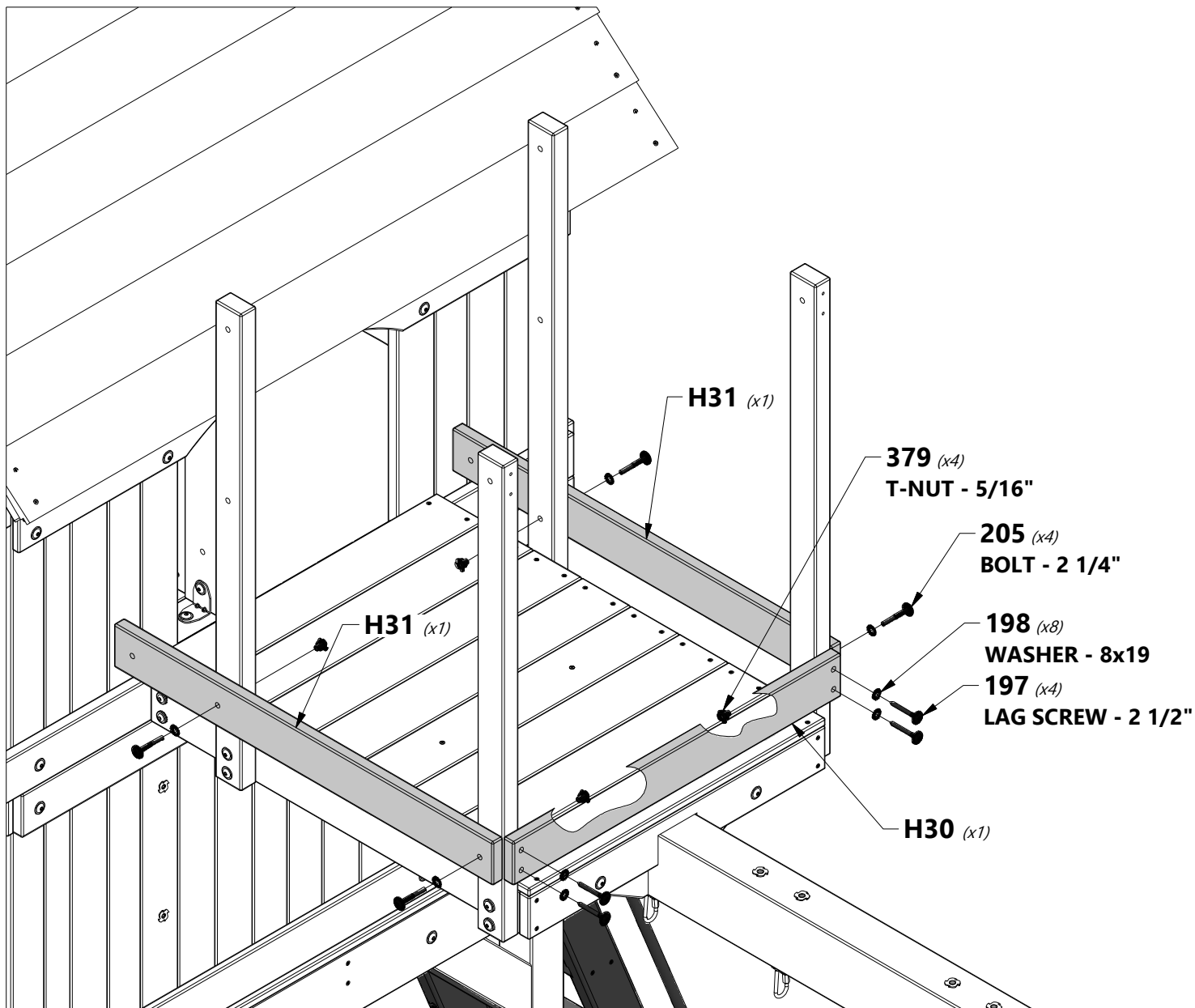
H100205 | BOLT WH BLK
(4) | 5/16x2-1/4



H100379 | T-NUT BLK
(4) | 5/16



H100198 | WASHER LOCK
(8) | EXT BLK
8x19





A100340 | L BRACKET
(2) | 2.5x38x50x55



H100468 | BOLT WH BLK
(2) | 5/16x1



H100396 | BOLT WH BLK
(2) | 5/16x1/2



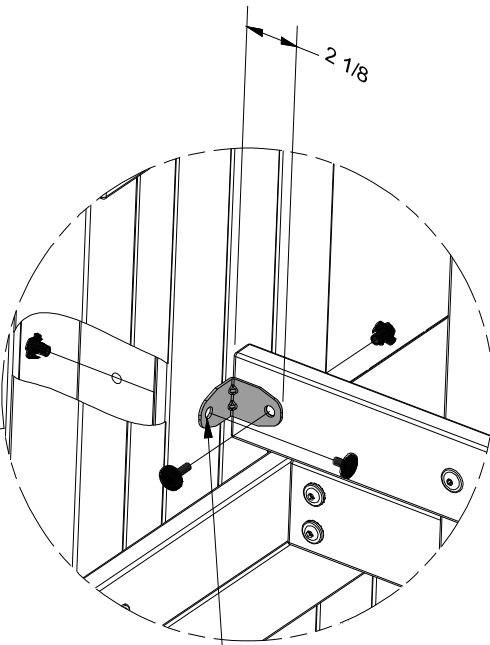
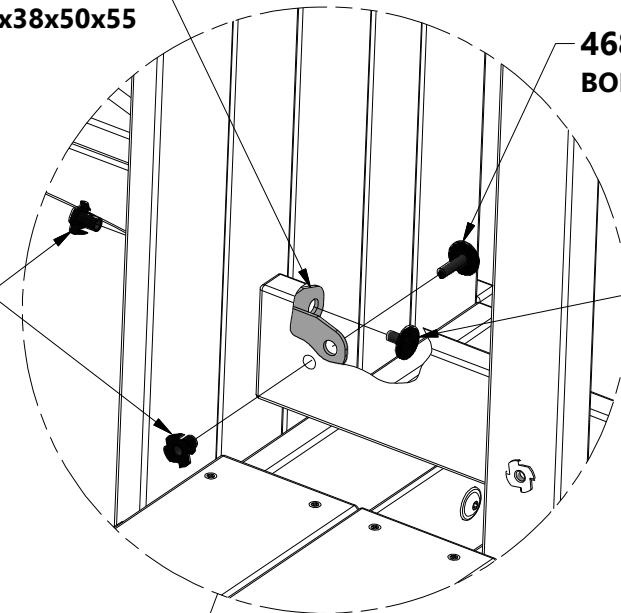
H100379 | T-NUT BLK
(4) | 5/16

340 (x2)
L BRACKET 2.5x38x50x55

468 (x2)
BOLT - 1"

379 (x4)
T-NUT - 5/16"

396 (x2)
BOLT - 1/2"



**USING BRACKETS AS A GUIDE,
DRILL 3/8" HOLES THROUGH
WALL BOARD.**



M4 | CROWS NEST WALL RAIL - W4L12746
(2) | 5/8"x3 3/8"x29 7/8" (16x86x758)



H29 | CROWS NEST WALL RAIL - W4L12732
(2) | 1"x3 3/8"x26 1/4" (24x86x666)



H30 | CROWS NEST WALL RAIL - W4L12733
(1) | 1"x3 3/8"x29 7/8" (24x86x758)



H100205 | BOLT WH BLK
(4) | 5/16x2-1/4



H100197 | LAG SCREW WH BLK
(4) | 5/16x2 1/2



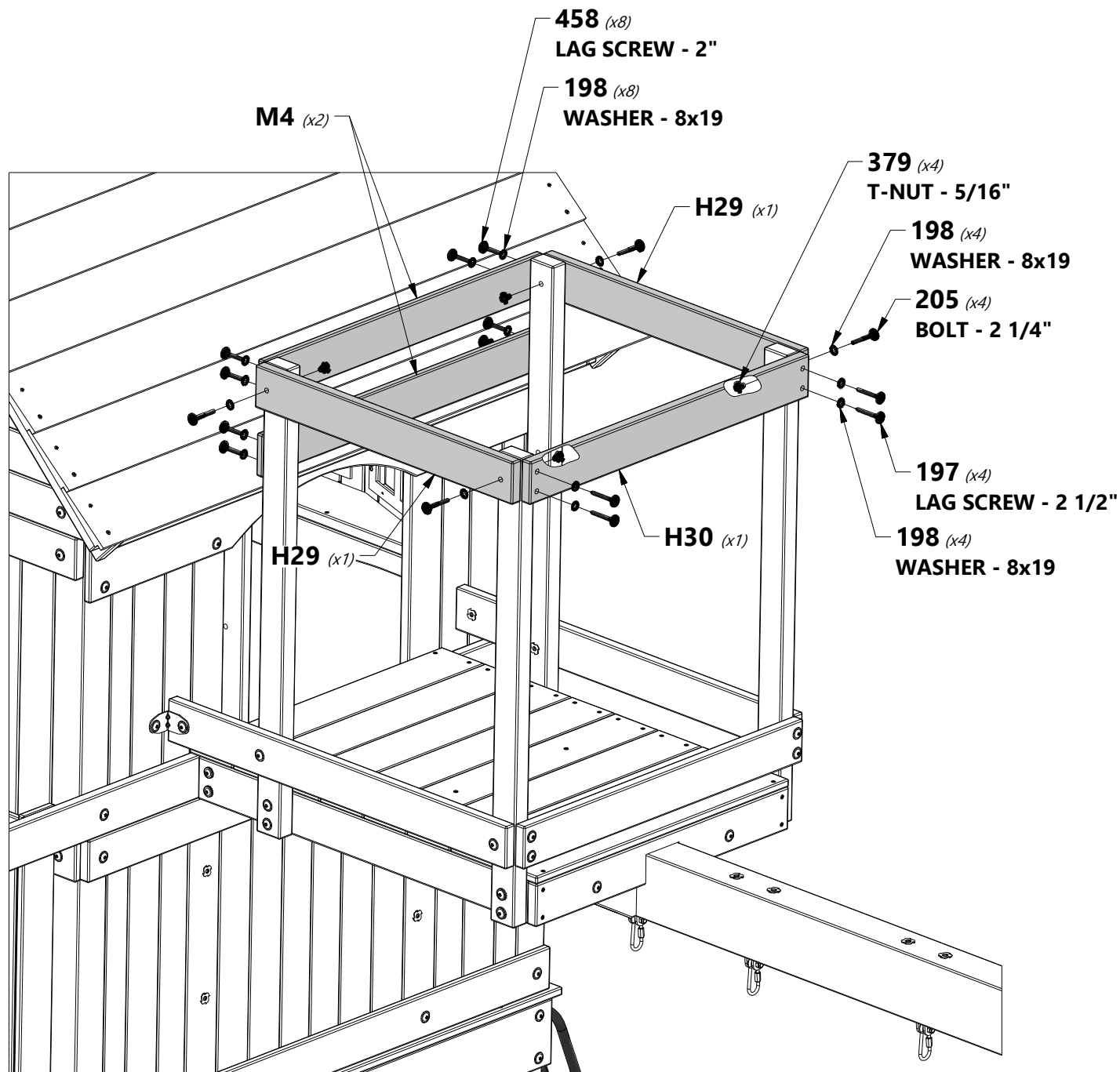
H100458 | LAG SCREW WH BLK
(8) | 5/16x2

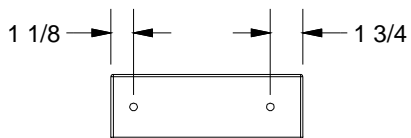


H100198 | WASHER LOCK
(16) | EXT BLK
8x19



H100379 | T-NUT BLK
(4) | 5/16





M32 | CROWS NEST WALL RAIL - W4L12768
(2) | 5/8"x3 3/8"x10" (16x86x254)



A100340 | L BRACKET
(2) | 2.5x38x50x55



H100457 | BOLT WH BLK
(2) | 5/16x2



H100459 | BOLT WH BLK
(2) | 5/16x1 1/4



H100396 | BOLT WH BLK
(2) | 5/16x1/2



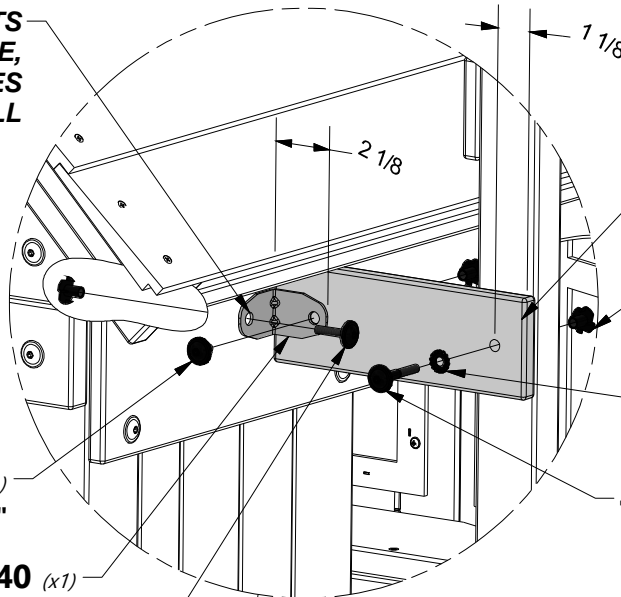
H100379 | T-NUT BLK
(6) | 5/16



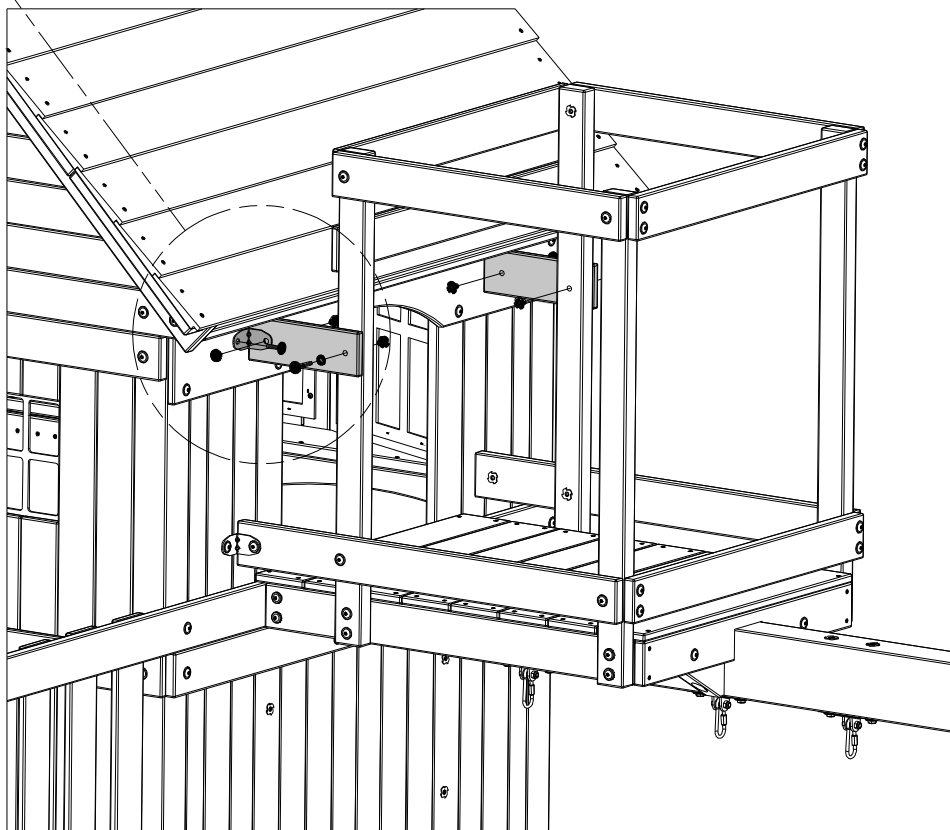
H100198 | WASHER LOCK
(2) | EXT BLK
8x19



USING BRACKETS AS A GUIDE, DRILL 3/8" HOLES THROUGH WALL



REPEAT ON OTHER SIDE

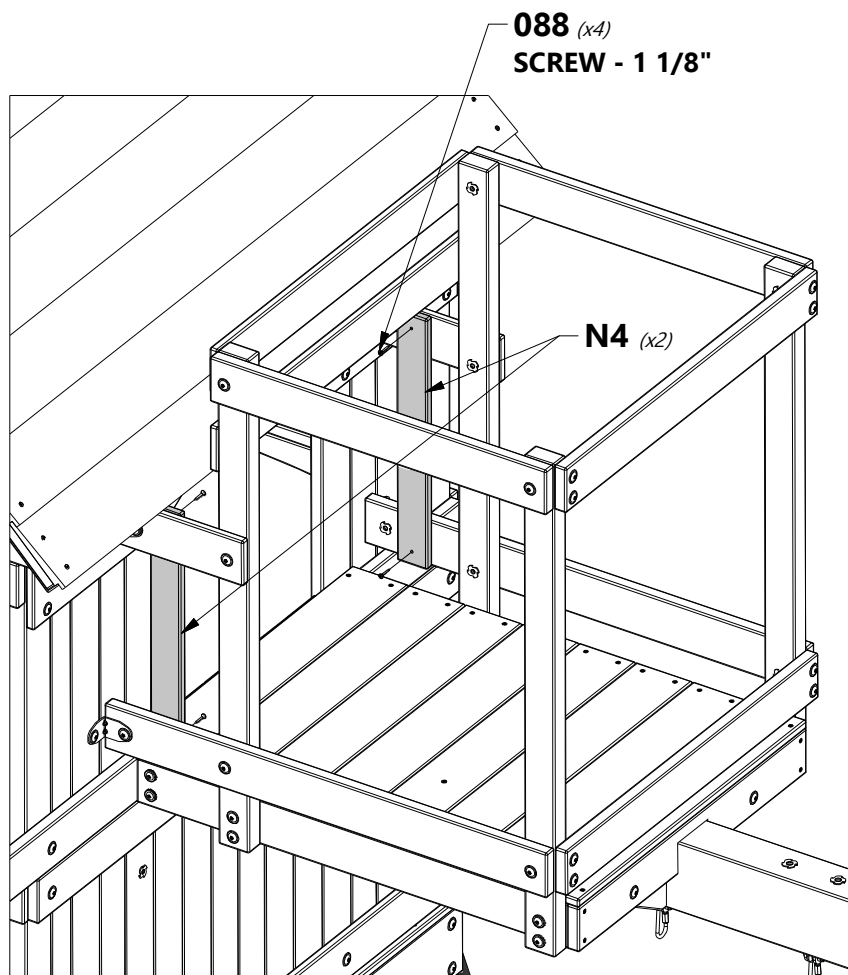
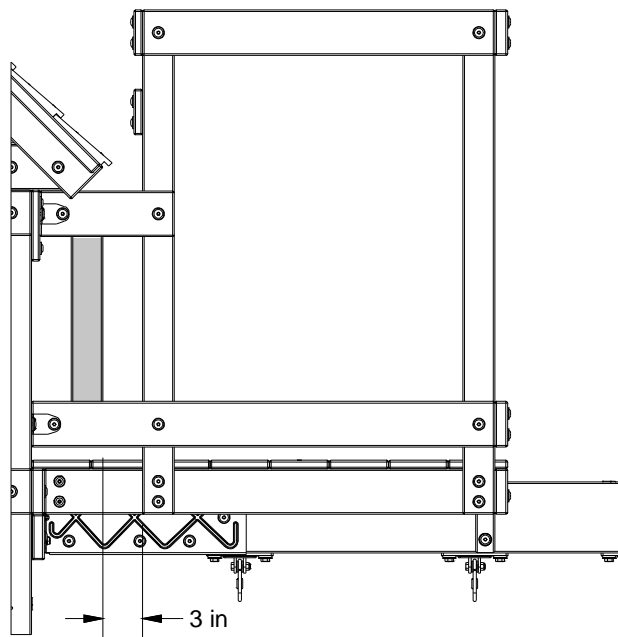


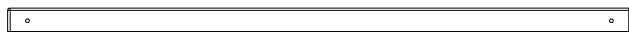


N4 | CROWS NEST WALL BOARD - W4L12779
(2) | 5/8"x2 3/8"x19" (16x60x483)



H100088 | SCREW PFH
(4) | 8x1 1/8"



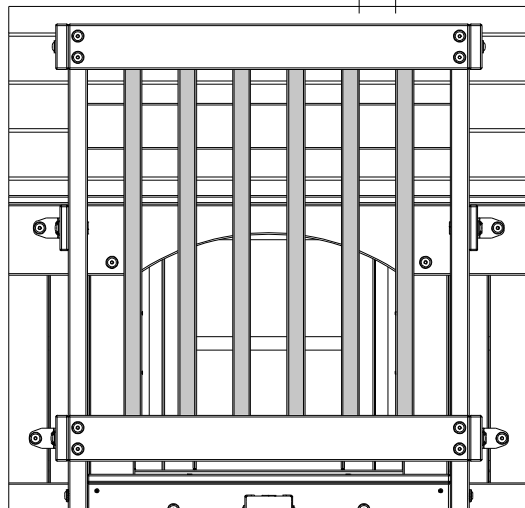


O1 | CROWS NEST WALL BOARD - W4L12783
(6) | 5/8"x1 3/8"x32 1/2" (16x34x825)



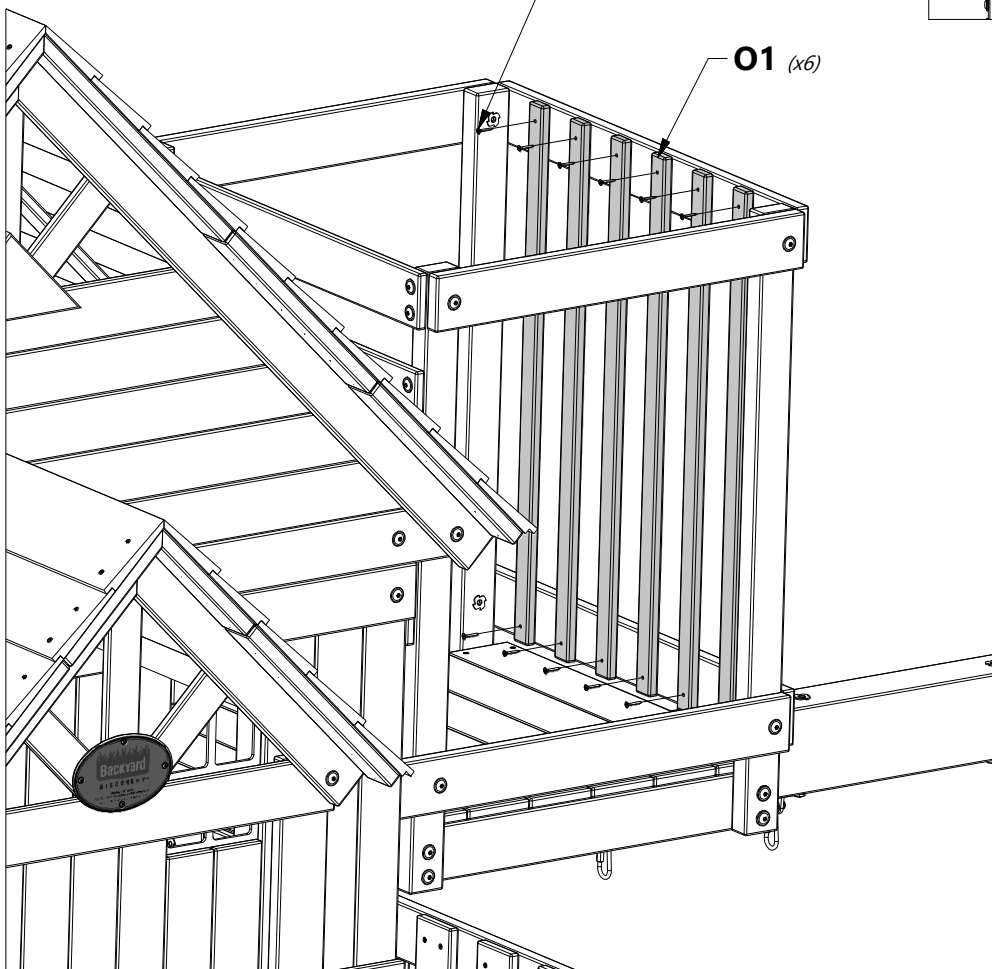
H100088 | SCREW PFH
(12) | 8x1 1/8

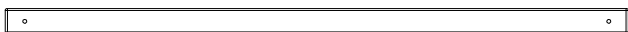
2 3/4 in
EQUAL SPACING



088 (x12)
SCREW - 1 1/8"

O1 (x6)



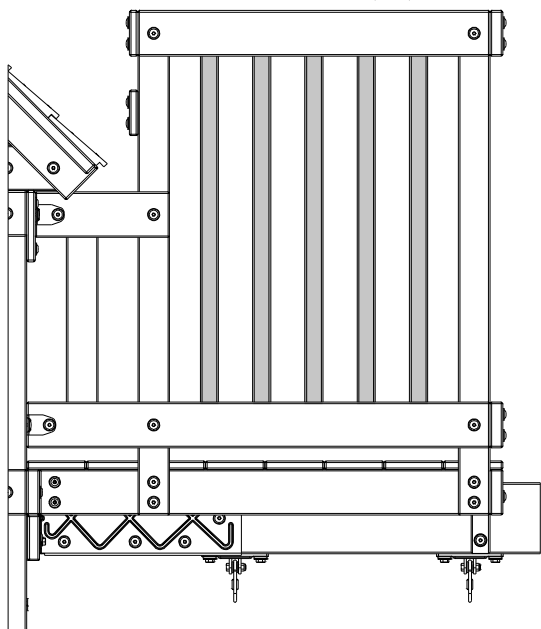


O1 | CROWS NEST WALL BOARD - W4L12783
(10) | 5/8"x1 3/8"x32 1/2" (16x34x825)



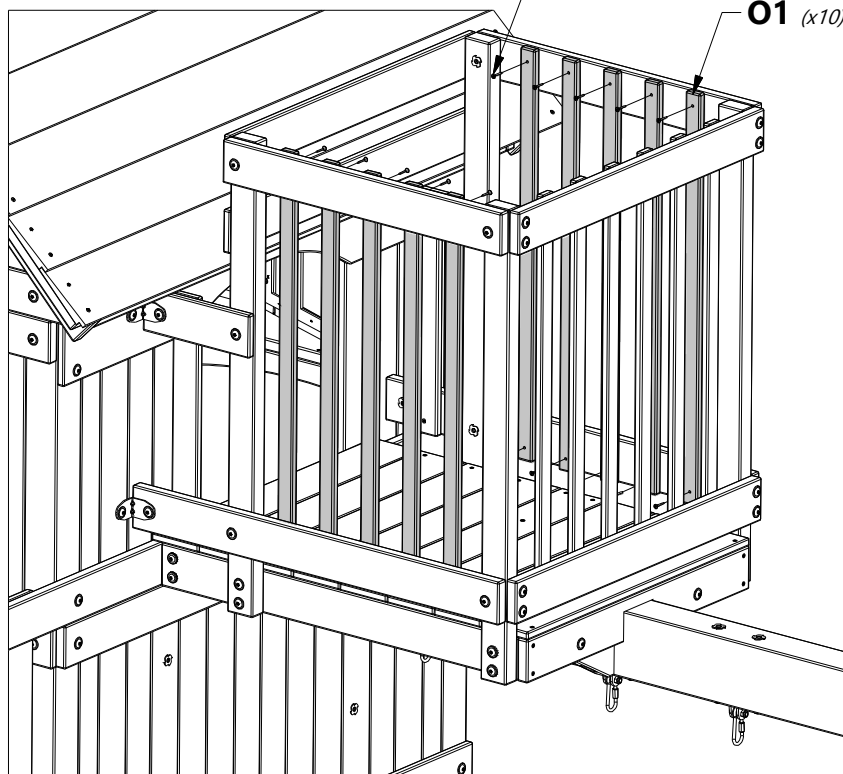
H100088 | SCREW PFH
(20) | 8x1 1/8

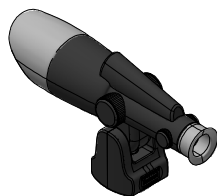
2 1/2 in
EQUAL
SPACING



088 (x20)
SCREW - 1 1/8"

O1 (x10)





(1) TELESCOPE



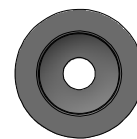
F1 | TELESCOPE MOUNTING BLOCK - W4L12695
(1) | 1 3/8"x2 3/8"x3" (36x60x76)



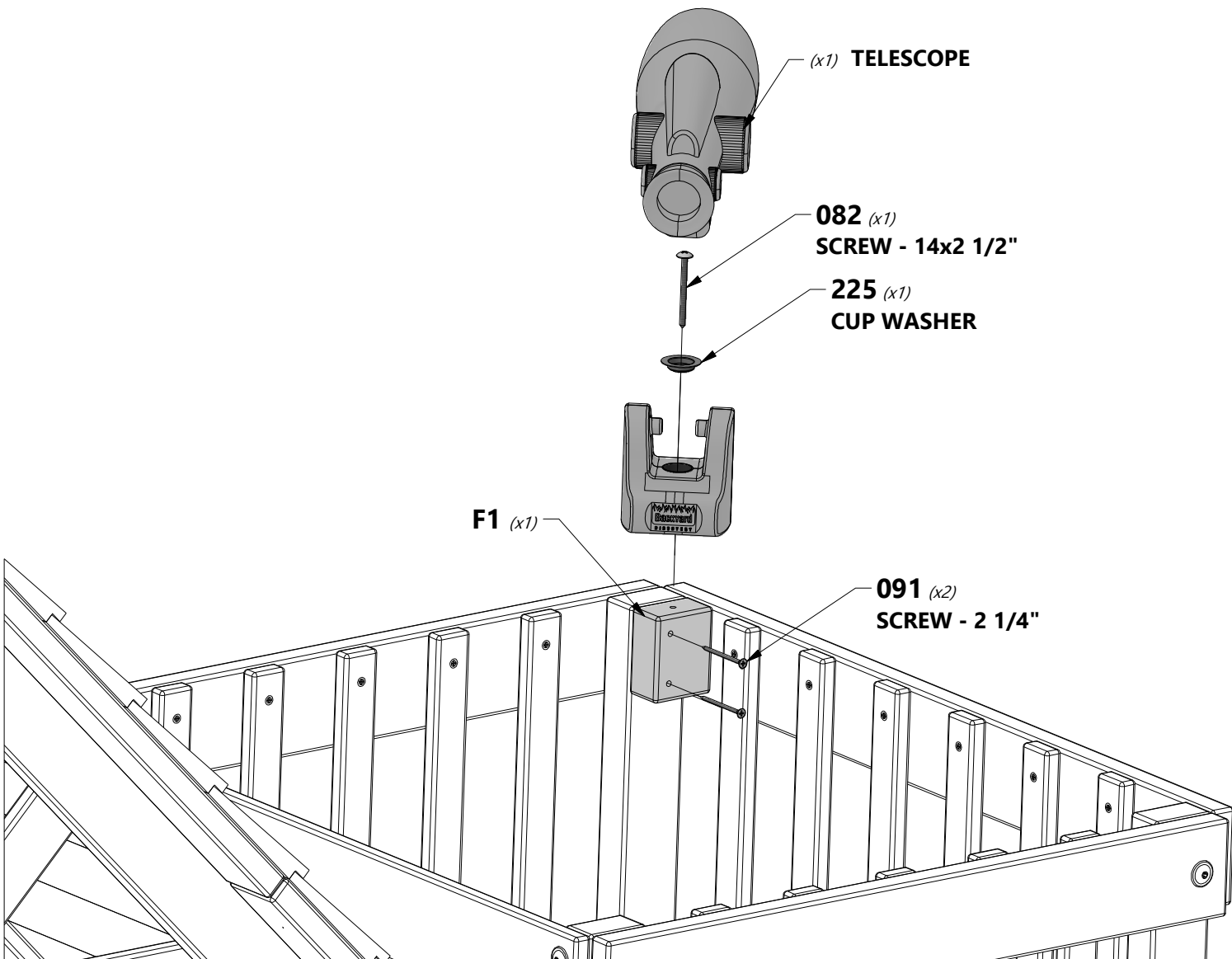
H100082 | SCREW TAPPING
(1) | 14x2 1/2



H100091 | SCREW PFH
(2) | 8x2 1/4



H100225 | FLANGE CUP
(1) | WASHER
9x34





A100118 | **HAND GRIP METAL GREEN 381 c/c**
(4)



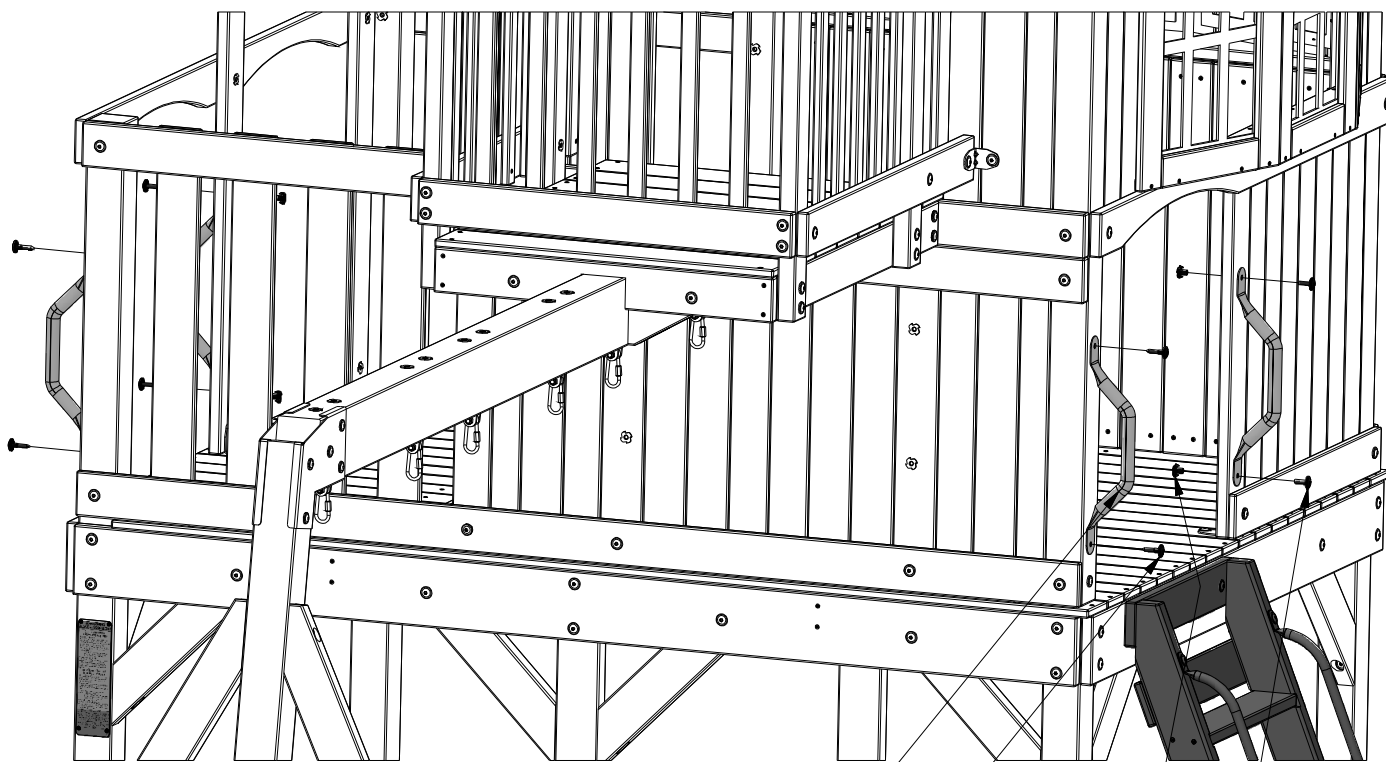
H100471 | **LAG SCREW WH BLK**
(4) | 5/16x1 1/2



H100468 | **BOLT WH BLK**
(4) | 5/16x1



H100379 | **T-NUT BLK**
(4) | 5/16

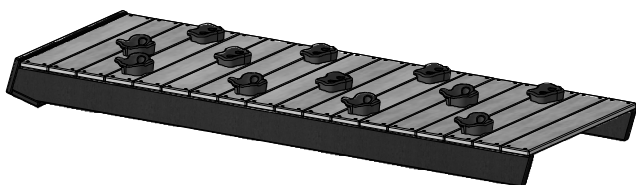


118 (x4)
HAND GRIP METAL GREEN 381 c/c

471 (x4)
LAG SCREW - 1 1/2"

379 (x4)
T-NUT - 5/16"

468 (x4)
BOLT - 1"



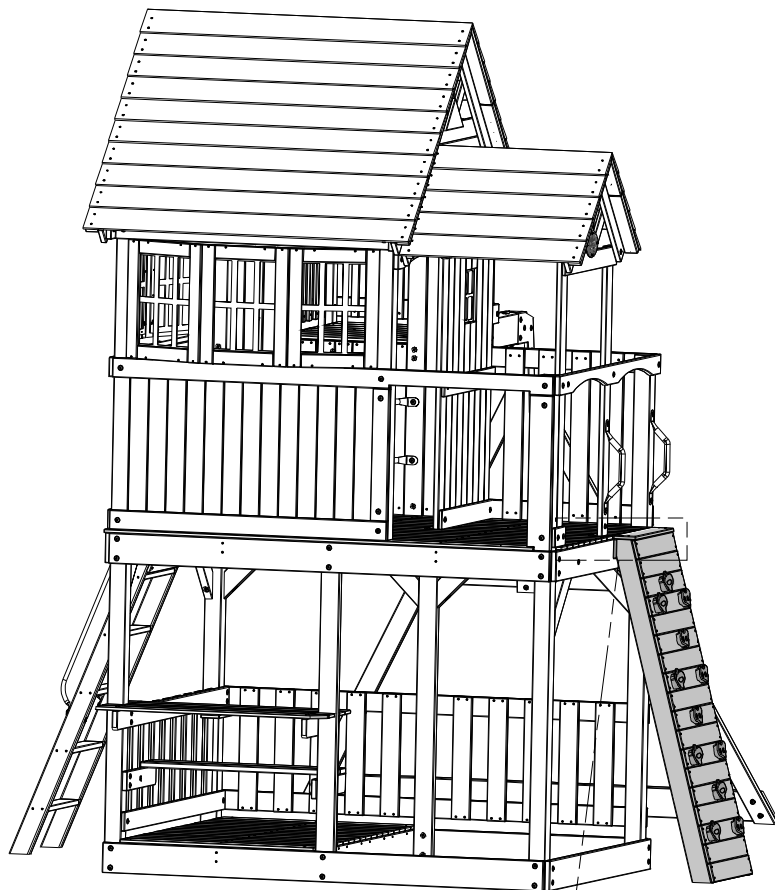
(1) ROCK WALL ASSEMBLY



H100407 BOLT WH BLK
(2) 5/16x1 1/2

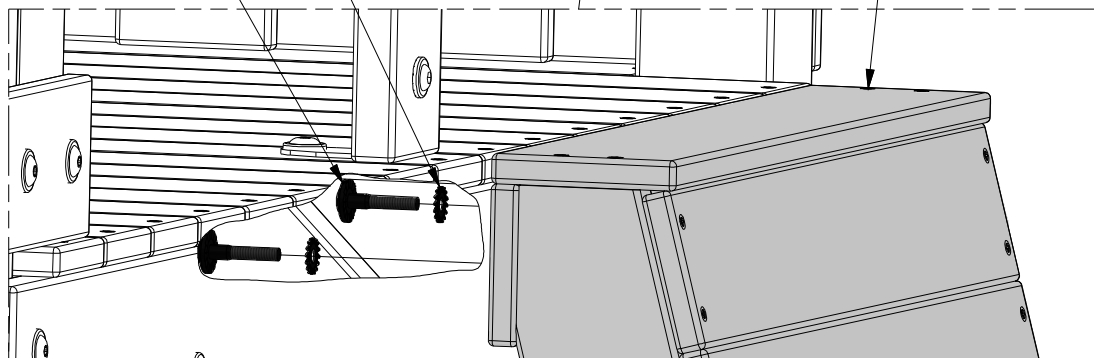


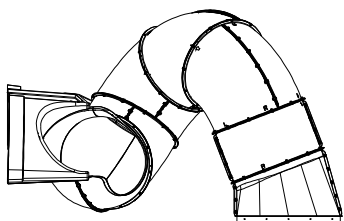
H100198 WASHER LOCK
(2) EXT BLK
8x19



198 (x2)
WASHER - 8x19
407 (x2)
BOLT - 1 1/2"

(1) ROCK WALL ASSEMBLY





(1) TUBE SLIDE ASSEMBLY



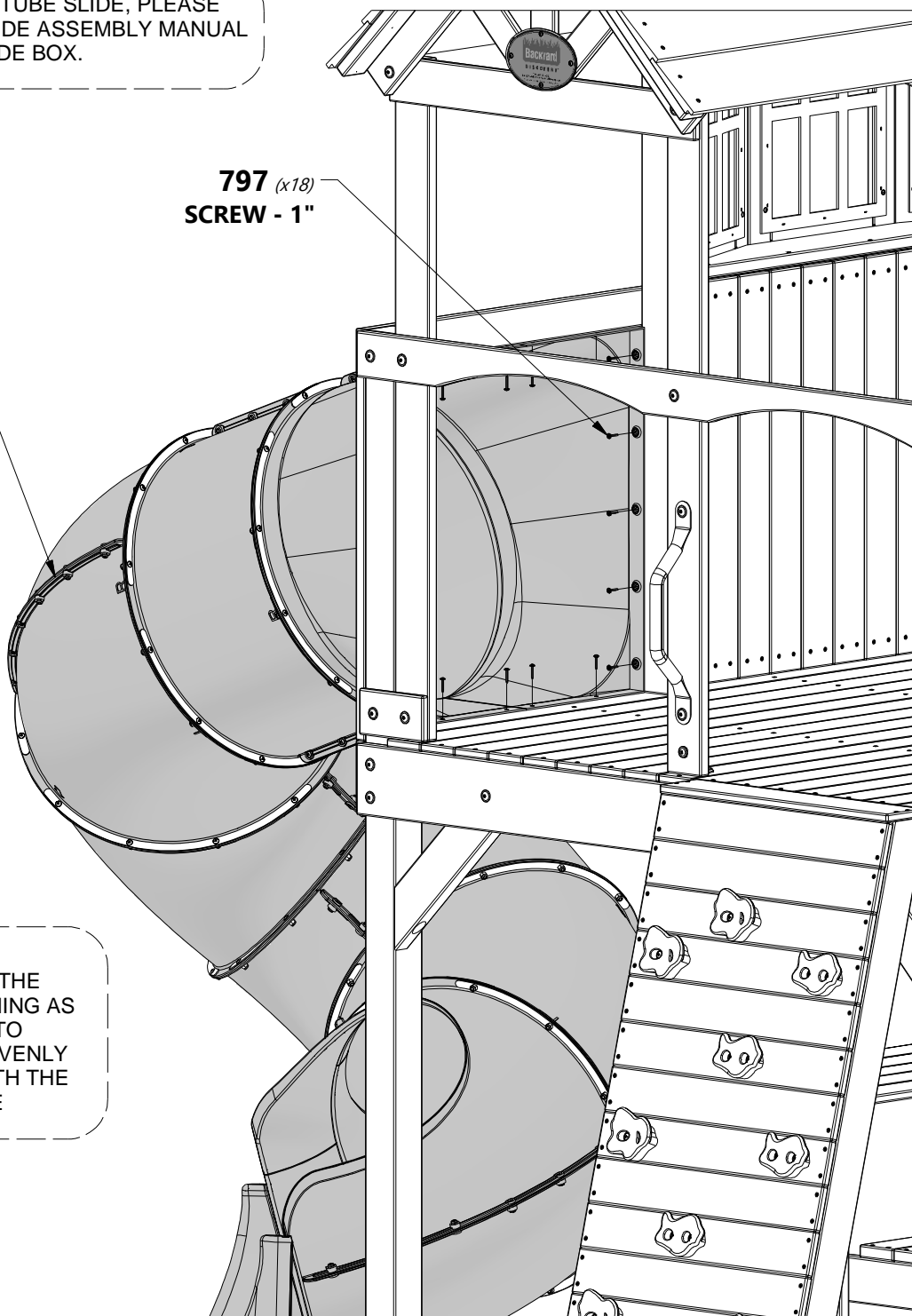
H100797 | SCREW PWH BLK
(18) | 8x1



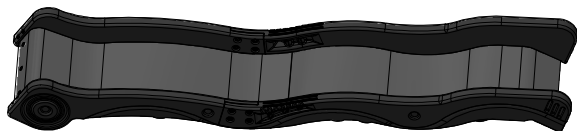
FOR ASSEMBLY OF THE TUBE SLIDE, PLEASE REFER TO THE TUBE SLIDE ASSEMBLY MANUAL FOUND IN THE TUBE SLIDE BOX.

TUBE SIDE ASSEMBLY (x1)

797 (x18)
SCREW - 1"



TIP:
PLACE THE SLIDE ALL THE WAY INSIDE THE OPENING AS SHOWN. MAKE SURE TO PRESS THE SLIDE IN EVENLY AS YOU INSTALL IT WITH THE PROVIDED HARDWARE



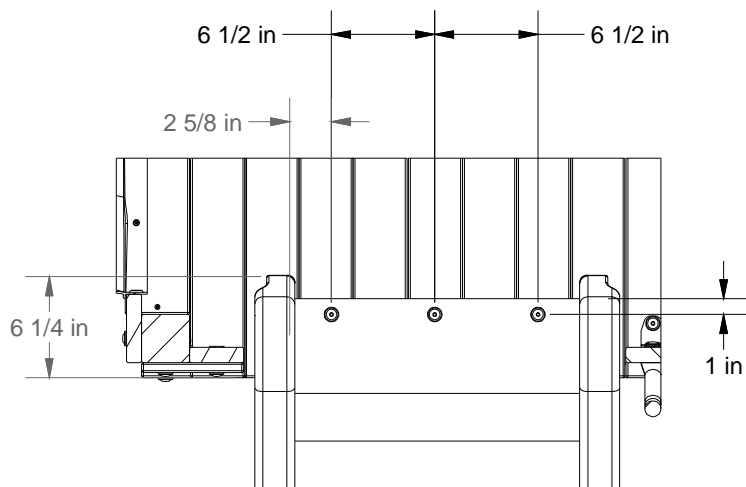
(1) SLIDE ASSEMBLY



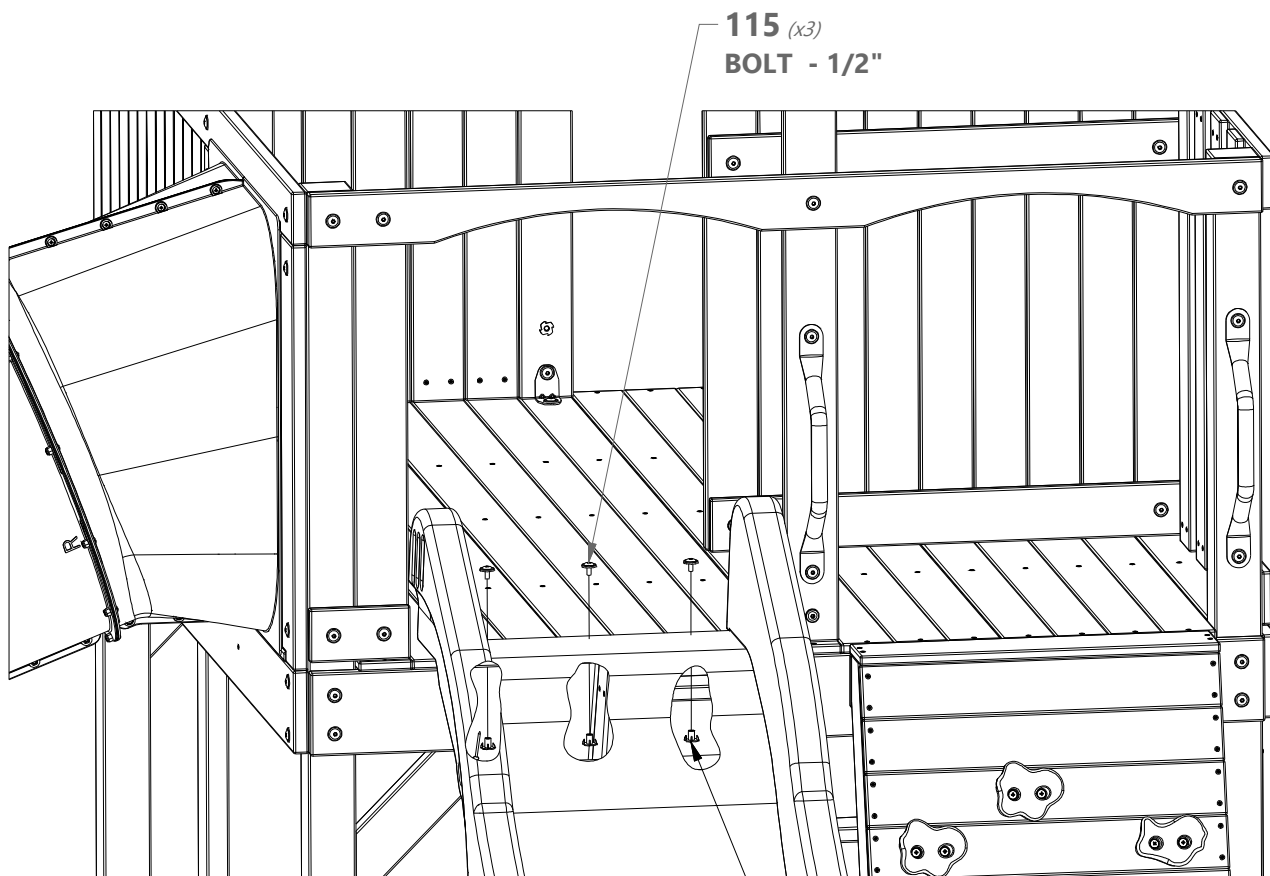
H100115 BOLT WH
(3) 5/16x1/2



H100074 T-NUT
(3) 5/16



CENTER SLIDE IN OPENING. USING DIMENSIONS BELOW AS A TEMPLATE, DRILL (3) 3/8" HOLES THROUGH SLIDE & DECK FOR HARDWARE.



074 (x3)
T-NUT - 5/16"
(UNDER FLOOR)



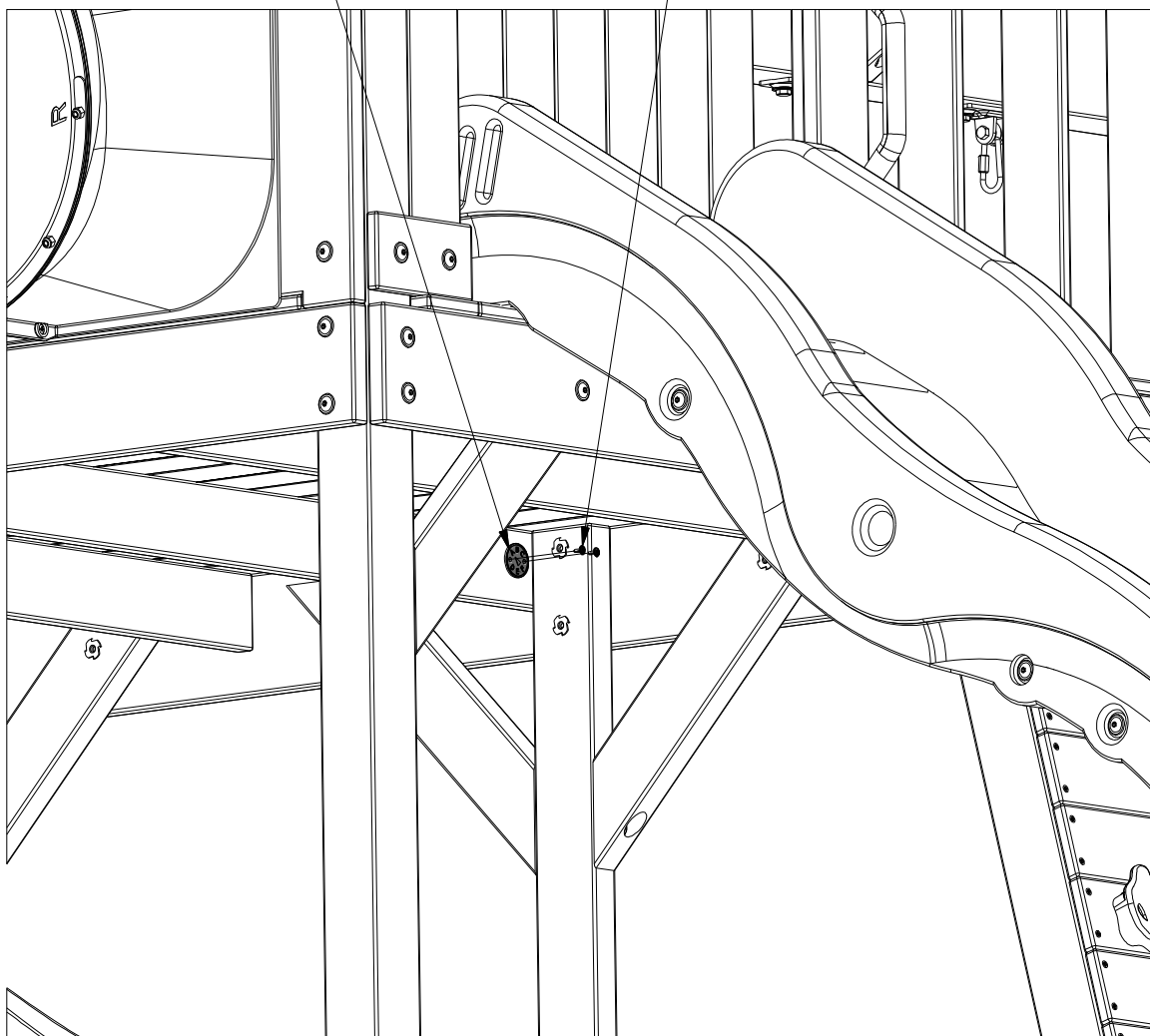
A100314 (1) "A" REVISION TAG

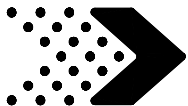


H100408 SCREW PWH BLK
(2) 8x1/2

314 (x1)
"A" REVISION TAG

408 (x2)
SCREW - 1/2"





SETUP

WEB SWING

WEB SWING SETUP INSTRUCTIONS:

FOLLOW INSTRUCTIONS BELOW BEFORE USING THE WEB SWING.



H100832 | BOLT PTH
(4) | 1/4x3/4

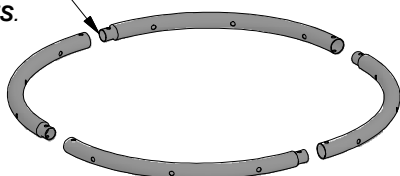


H100831 | NUT BARREL PTH BLK
(4) | 1/4x3/4

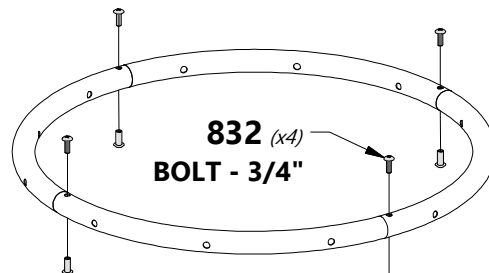


IMPORTANT:
SLIDE ROPE LOOPS OVER TUBE ENDS FIRST!

SLIDE NARROW END OF TUBES INTO LARGER OPENING AFTER SLIDING ROPE LOOPS ONTO TUBES.



NOTE: ROPE WEBBING NOT SHOWN IN ILLUSTRATION FOR CLARITY.



832 (x4)
BOLT - 3/4"
831 (x4)
NUT BARREL - 3/4"



Note: It is important that the web swing hang level.



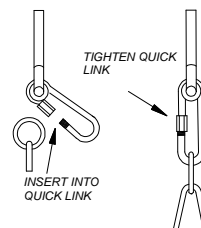
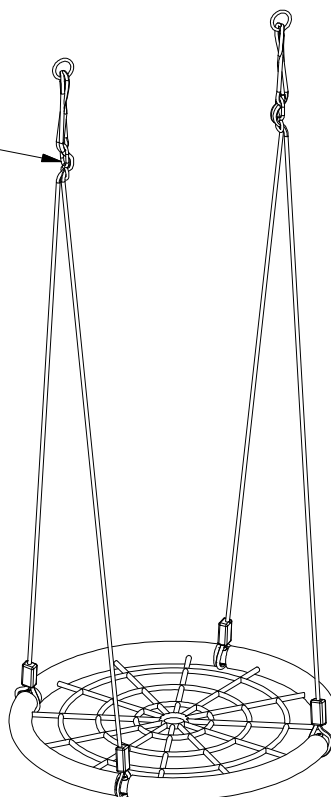
IMPORTANT

TO ENSURE STRAIGHT SWINGING MOTION, ADJUST BOTH "S" BRACKETS UNTIL WEB SEAT IS LEVEL.



IMPORTANT:

SWING MUST BE SET AT A MINIMUM OF 8 INCHES OFF THE GROUND WHEN INSTALLED.



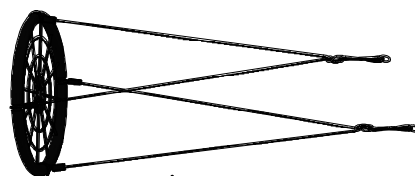
TIGHTEN QUICK LINK
INSERT INTO QUICK LINK



A100027
(2) | SWING SEAT GREEN 26"



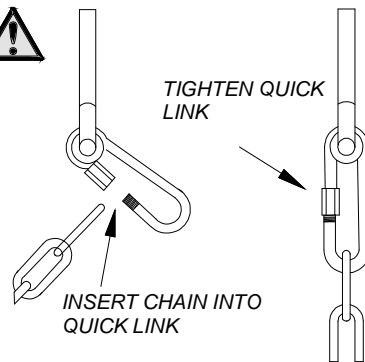
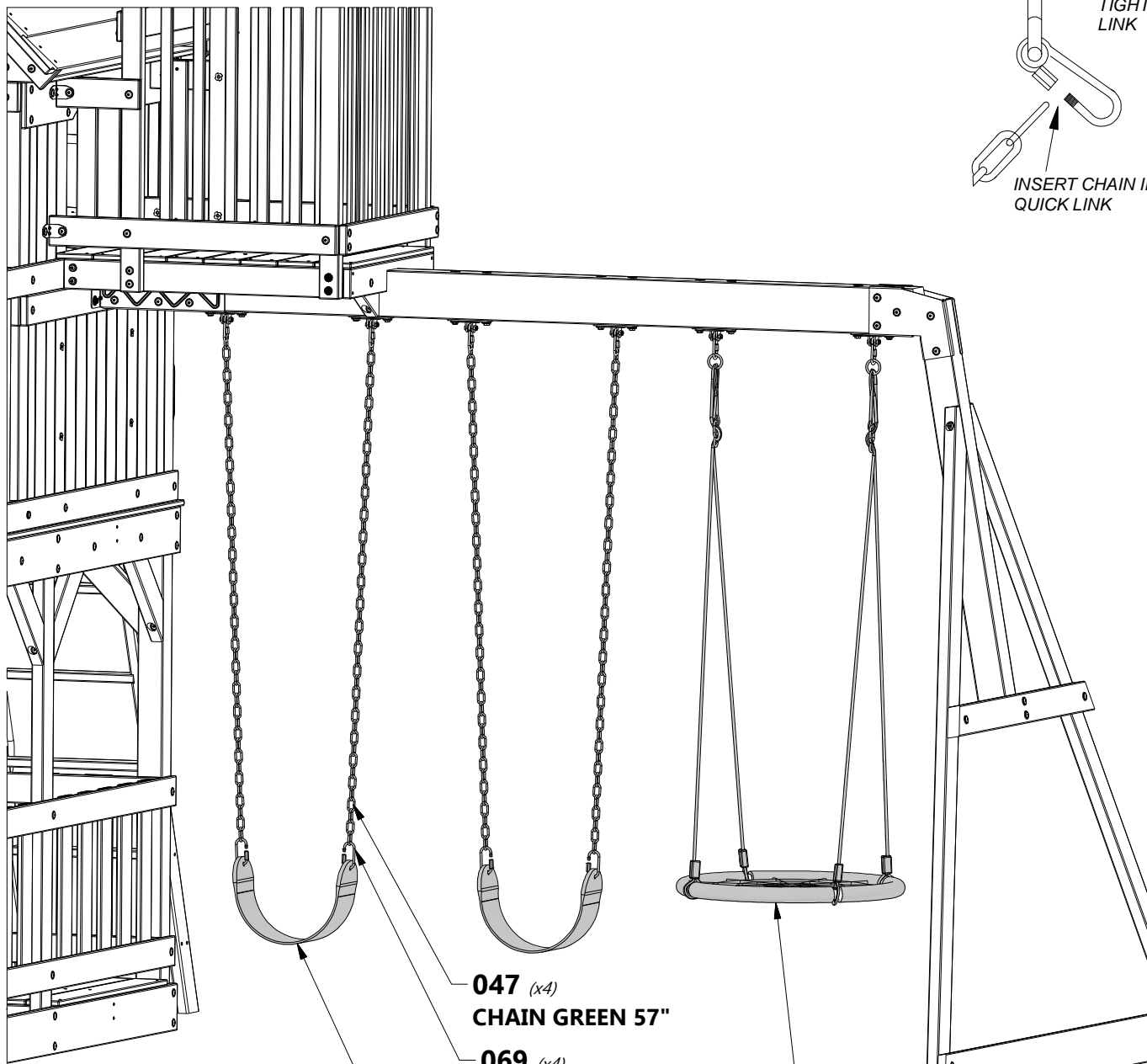
A100069
(4) | QUICK LINK



A4M01126
(x1) | 26" WEB SWING



A100047
(4) | CHAIN GREEN 57"



TIGHTEN QUICK LINK

INSERT CHAIN INTO QUICK LINK

047 *(x4)*
CHAIN GREEN 57"

069 *(x4)*
QUICK LINK

027 *(x2)*
SWING SEAT GREEN 26"

126 *(x1)*
26" WEB SWING



FORT ASSEMBLY

STEP 70



A100178
(4) | AUGER GROUND STAKE



A4M00527
(2) | GROUND STAKE REBAR



H100458
(4) | LAG SCREW WH BLK
5/16x2



H100199
(2) | WASHER LOCK
EXT BLK
12x19



H100459
(1) | BOLT WH BLK
5/16x1 1/4



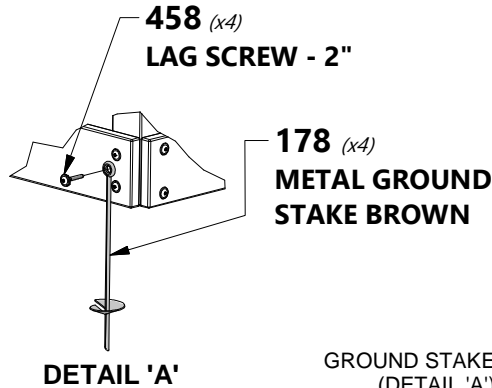
H100396
(1) | BOLT WH BLK
5/16x1/2



H100192
(1) | NUT BARREL WH
BLK
5/16x7/8



H100469
(1) | NUT BARREL WH
BLK
5/16x5/8



458 (x4)
LAG SCREW - 2"

178 (x4)
METAL GROUND
STAKE BROWN

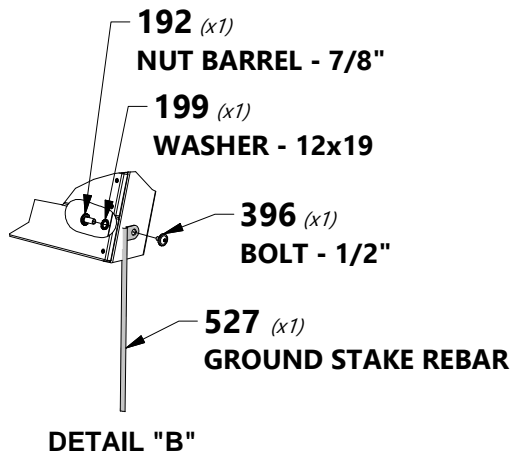
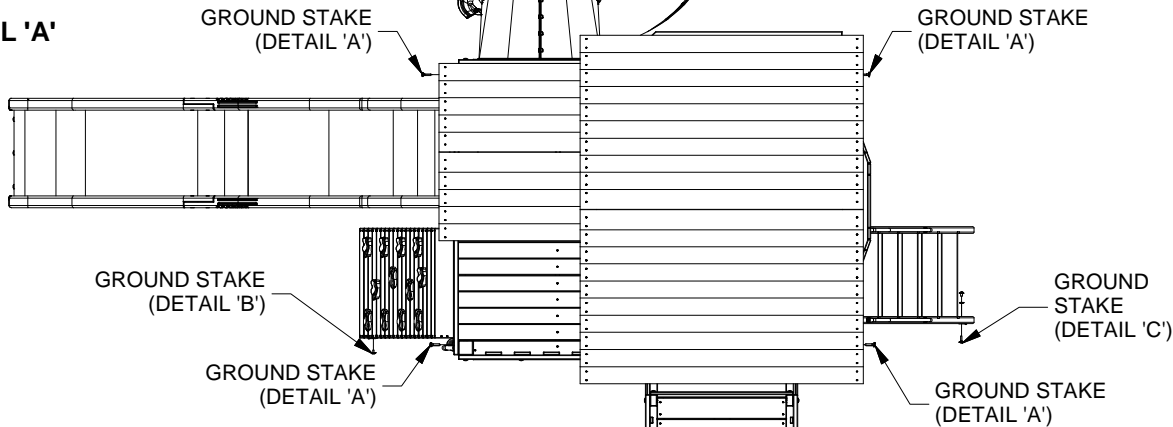
DETAIL 'A'



DETAIL "A"
TWIST STAKES INTO GROUND AGAINST
GROUND BOARDS AND CORNER POSTS IN
LOCATIONS SHOWN. USING STAKE AS A
TEMPLATE, DRILL A 3/16" HOLE FOR LAGS.

DETAIL "B"
DRIVE STAKE INTO GROUND AT LOCATIONS
SHOWN. USING STAKE AS A TEMPLATE, DRILL A
7/16" HOLE FOR HARDWARE.

DETAIL "C"
DRIVE STAKE INTO GROUND AT LOCATIONS
SHOWN. USING STAKE AS A TEMPLATE, DRILL A
7/16" HOLE FOR HARDWARE.



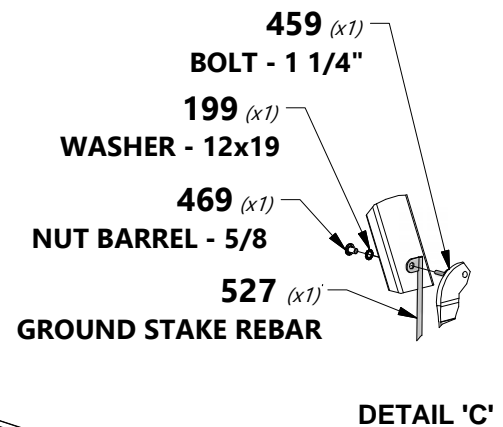
192 (x1)
NUT BARREL - 7/8"

199 (x1)
WASHER - 12x19

396 (x1)
BOLT - 1/2"

527 (x1)
GROUND STAKE REBAR

DETAIL "B"



459 (x1)
BOLT - 1 1/4"

199 (x1)
WASHER - 12x19

469 (x1)
NUT BARREL - 5/8

527 (x1)
GROUND STAKE REBAR

DETAIL "C"

FINAL STEP
DOUBLE CHECK EVERY BOLT, SCREW AND NUT FOR TIGHTNESS. MAKE SURE EVERY BOARD IS
SECURE AND MAKE SURE THE PLAY SET IS LEVEL.

ENJOY YOUR NEW PLAY SET!

NOTE:
FAILURE TO ATTACH GROUND STAKES COULD CAUSE INJURY AND WILL VOID WARRANTY!