



MANUFACTURED BY:
Backyard Discovery
3305 Airport Drive, Pittsburg, KS 66762
800-856-4445

Basepoint Business Centre: Rivermead Drive, Westlea, Swindon SN5 7EX Phone: 0800-118-2476
J.P. Coenstraat 7, The Bridge, The Hague, 2595 WP, Netherlands Phone: 0800-567-8990

BRISTOL POINT

Swing Set

Model # 1906013

The assembly manual must be retained since it contains important information



WARNING

Adult Assembly Required.

Not suitable for children under 36 months due to small parts.
FOR DOMESTIC USE ONLY. INTENDED FOR OUTDOOR USE.

CAN ICES-003 (B)/NMB-003(B)



Please visit www.backyarddiscovery.com

For the most up to date assembly manual, to register your set, or to order replacement parts
Para obtener instrucciones en español, visite www.backyarddiscovery.com



EASY STEP-BY-STEP
3D INTERACTIVE INSTRUCTIONS

DOWNLOAD THE FREE APP



Made in China

INS-1906013-A-BRISTOL POINT-ENG 11-30-23



Place the set on level ground, not less than 6 ft 7 in [2 m] from any structure or obstruction such as a fence, garage, house, overhanging branches, laundry lines, or electrical wires.

- While assembling unit, take time before and after each phase to make sure fort is level. If fort is not level, assembly will be difficult and improper assembly may result. Extra care must be taken to insure the fort is square.
- The safe play area refers to a zone extending 6 ft 7 in (2m) beyond the play product on all sides, including the space above the play product.

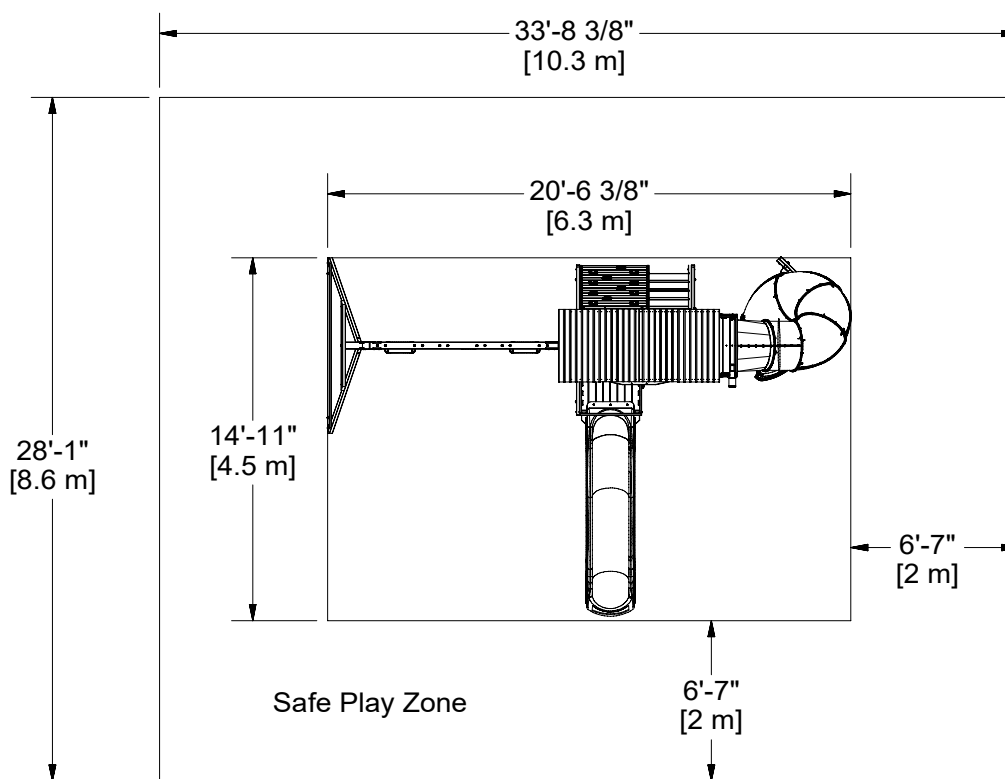
SAFE PLAY AREA DIAGRAM

Ground Dimension

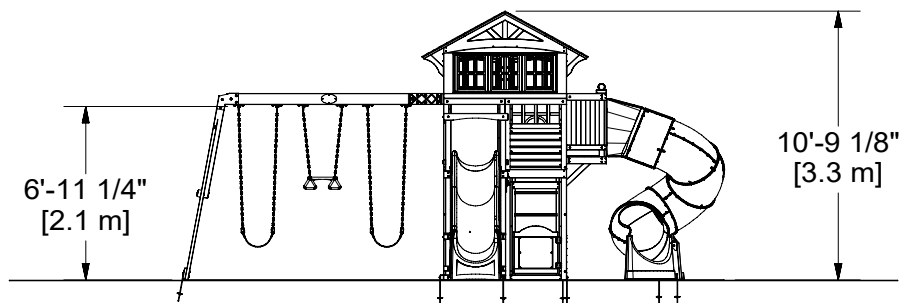
20'-6 3/8" (6.3m) x 14'-11" (4.5m) x 10'-9 1/8" (3.3m)

Safe Play Area

33'-8 3/8" x 28'-1"



SAFE PLAY HEIGHT: 17'-4 1/8" [5.2M]
MAXIMUM FALL HEIGHT: 6'-11 1/4" [2.1M]



General Information

Your set has been designed and engineered for children only and for residential use only.
 A maximum of 150 lbs. per child is recommended for play activities designed for individual use.
 A maximum of 120 lbs. per child is recommended for play activities designed for multiple child use.
 A maximum of 9 children is recommended for this swing set.



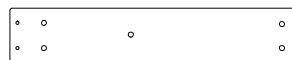
Wood Components (Not to Scale)



A1 | SWING BEAM - W4L12327
(x1) 3-3/8" x 5-1/4" x 89-1/2" (86 x 134 x 2274)



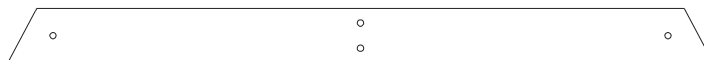
A2 | SWING BEAM 9" BLOCK - W4L12326
(x1) 3-3/8" x 5-1/4" x 9" (86 x 134 x 228)



E1 | RAIL - W4L12344
(x2) 1-3/8" x 3-3/8" x 18" (36 x 86 x 462)



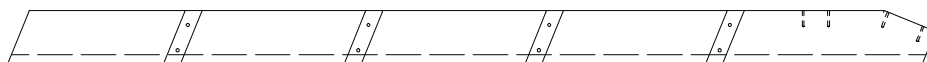
E2 | ANGLE BRACE - W4L12328
(x2) 1-3/8" x 3-3/8" x 88-3/4" (36 x 86 x 2254)



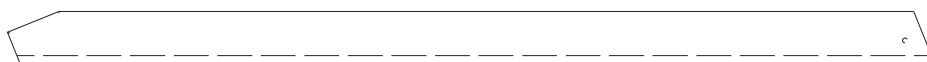
E3 | END SUPPORT - W4L12329
(x1) 1-3/8" x 3-3/8" x 44-1/8" (36 x 86 x 1120)



E80 | LEFT UPRIGHT - W4L11751
(x1) 1-3/8" x 3-3/8" x 58" (36 x 86 x 1474)



E81 | MIDDLE UPRIGHT - W4L11752
(x1) 1-3/8" x 3-3/8" x 58" (36 x 86 x 1474)



E83 | RIGHT UPRIGHT - W4L11756
(x1) 1-3/8" x 3-3/8" x 58" (36 x 86 x 1474)



F1 | POST - W4L12337
(x1) 1-3/8" x 2-3/8" x 80" (36 x 60 x 2032)



F2 | ANGLE BRACE - W4L12343
(x2) 1-3/8" x 3-3/8" x 20-1/8" (36 x 86 x 510)



F3 | POST - W4L12481
(x1) 1-3/8" x 2-3/8" x 80" (36 x 60 x 2032)



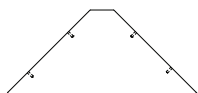
F4 | GROUND BOARD - W4L12487
(x1) 1-3/8" x 2-3/8" x 74-1/8" (36 x 60 x 1883)



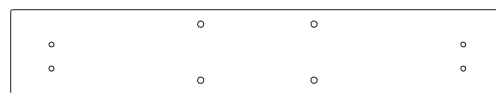
Wood Components (Not to Scale)



F5 | **GROUND BOARD - W4L12488**
(x1) 1-3/8" x 2-3/8" x 24-1/4" (36 x 60 x 617)



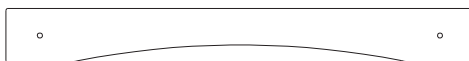
G1 | **ANGLE BRACE - W4L12473**
(x1) 1" x 5-1/4" x 12" (24 x 134 x 305)



G2 | **RAIL - W4L12485**
(x1) 1" x 5-1/4" x 30-7/8" (24 x 134 x 784)



G50 | **GROUND BOARD - W4L12330**
(x1) 1" x 5 1/4" x 86 3/4" (24 x 134 x 2202)



H2 | **ARCHED RAIL - W4L12342**
(x1) 1" x 3-3/8" x 29-1/4" (24 x 86 x 744)



H3 | **FLOOR JOIST - W4L12345**
(x1) 1" x 3-3/8" x 53-1/4" (24 x 86 x 1352)



H4 | **RAIL - W4L12452**
(x1) 1" x 3-3/8" x 18-1/4" (24 x 86 x 462)



H5 | **FLOOR JOIST - W4L12455**
(x1) 1" x 3-3/8" x 17-1/4" (24 x 86 x 438)



H6 | **RAIL - W4L12456**
(x1) 1" x 3-3/8" x 17-3/8" (24 x 86 x 442)



H7 | **RAIL - W4L12457**
(x1) 1" x 3-3/8" x 18" (24 x 86 x 458)



H8 | **RAIL - W4L12458**
(x1) 1" x 3-3/8" x 29-1/4" (24 x 86 x 744)



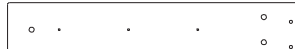
H9 | **RAIL - W4L12451**
(x1) 1" x 3-3/8" x 28" (24 x 86 x 712)



H10 | **ANGLE BRACE - W4L12460**
(x4) 1" x 3-3/8" x 13-3/8" (24 x 86 x 340)



H11 | **RAIL - W4L12462**
(x1) 1" x 2-3/4" x 28" (24 x 71 x 712)



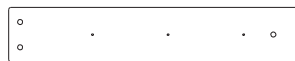
H12 | **RAIL - W4L12463**
(x1) 1" x 3-3/8" x 18-1/4" (24 x 86 x 462)



H13 | **FLOOR JOIST - W4L12482**
(x1) 1" x 3-3/8" x 23" (24 x 86 x 585)



H14 | **FLOOR BRACE - W4L12478**
(x2) 1" x 3-3/8" x 6-3/4" (24 x 86 x 170)



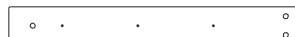
H15 | **RAIL - W4L12339**
(x2) 1" x 3-3/8" x 18" (24 x 86 x 458)



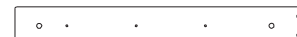
H76 | **LADDER RUNG - W4L11753**
(x4) 1" x 3-3/8" x 19-3/8" (24 x 86 x 493)



J1 | **BAY WINDOW SIDE - W4L12333**
(x2) 1" x 1-7/8" x 18-1/4" (24 x 48 x 464)



J2 | **RAIL - W4L12338**
(x2) 1" x 2-3/8" x 18" (24 x 60 x 458)



J3 | **RAIL - W4L12453**
(x2) 1" x 2-3/8" x 18-1/4" (24 x 60 x 462)



J4 | **POST - W4L12454**
(x2) 1" x 2-3/8" x 33-7/8" (24 x 60 x 859)



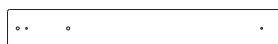
J6 | **BRACE - W4L12469**
(x2) 1" x 2-3/8" x 5-1/8" (24 x 60 x 130)



J5 | **BRACE - W4L12468**
(x2) 1" x 2-3/8" x 4-1/2" (24 x 60 x 115)



J7 | **BOTTOM BOARD - W4L12471**
(x1) 1" x 2-3/8" x 28-3/8" (24 x 60 x 720)



J8 | **BRACE - W4L12472**
(x1) 1" x 2-3/8" x 17-1/8" (24 x 60 x 434)



J9 | **BRACE - W4L12479**
(x2) 1" x 2-3/8" x 30-1/8" (24 x 60 x 765)



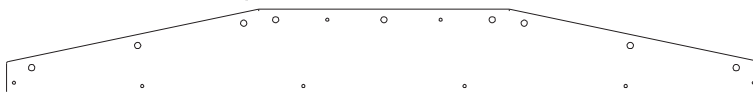
Wood Components (Not to Scale)



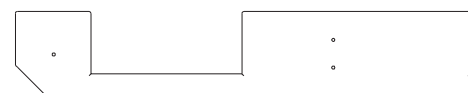
J10 | DOOR BLOCK - W4L12480
(x1) | 1" x 2-3/8" x 4-1/2" (24 x 60 x 115)

J12 | FLOOR SUPPORT - W4L1772
(x2) | 1" x 2-3/8" x 3-7/8" (24 x 60 x 86)

J13 | BRACE - W4L12474
(x2) | 1" x 2-3/8" x 7-7/8" (24 x 60 x 200)



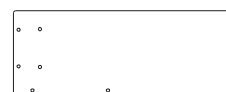
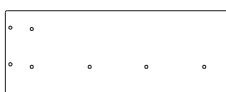
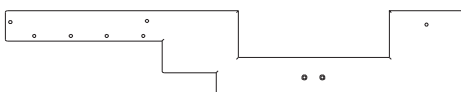
K1 | BAY WINDOW HEADER - W4L12332
(x2) | 5/8" x 5-1/4" x 7-1/4" (16 x 134 x 1199)



K2 | COUNTER TOP - W4L12461
(x1) | 5/8" x 5-1/4" x 28-3/8" (16 x 134 x 720)

K3 | COUNTER TOP - W4L12464
(x1) | 5/8" x 5-1/4" x 27-3/8" (16 x 134 x 696)

K4 | COUNTER TOP - W4L12465
(x1) | 5/8" x 5-1/4" x 28-3/4" (16 x 134 x 730)



K5 | COUNTER TOP - W4L12466
(x1) | 5/8" x 5-1/4" x 28-3/4" (16 x 134 x 730)

K6 | COUNTER TOP - W4L12467
(x1) | 5/8" x 5-1/4" x 14-1/8" (16 x 134 x 358)

K7 | COUNTER TOP - W4L12475
(x1) | 5/8" x 5-1/4" x 14-1/8" (16 x 134 x 358)



M73 | REAR SUPPORT - W4L11754
(x1) | 5/8" x 3-3/8" x 21-1/2" (16 x 86 x 545)

M74 | ROCK BOARD - W4L11757
(x8) | 5/8" x 3-3/8" x 31-1/4" (16 x 86 x 794)

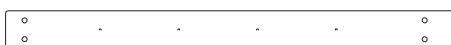
M75 | ROCK BOARD - W4L11758
(x4) | 5/8" x 3-3/8" x 31-1/4" (16 x 86 x 794)



M76 | ROCK BOARD - W4L11759
(x4) | 5/8" x 3-3/8" x 31-1/4" (16 x 86 x 794)

N1 | RAIL - W4L12334
(x1) | 5/8" x 2-3/8" x 28-3/8" (16 x 60 x 720)

N3 | RAIL - W4L12340
(x6) | 5/8" x 2-3/8" x 24-5/8" (16 x 60 x 626)



N4 | PICKET - W4L12341
(x4) | 5/8" x 2-3/8" x 17-5/8" (16 x 60 x 448)

N5 | RAIL - W4L12470
(x1) | 5/8" x 2-3/8" x 28-3/8" (16 x 60 x 720)

N6 | PICKET - W4L12582
(x6) | 5/8" x 2 3/8" x 27 1/8" (16 x 60 x 690)



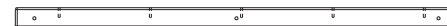
N74 | ROCK BOARD - W4L11760
(x1) | 5/8" x 2-3/8" x 31-1/4" (16 x 60 x 794)



O1 | TRIM - W4L12476
(x1) | 5/8" x 1-3/8" x 21-1/4" (16 x 34 x 540)

O2 | TRIM - W4L12477
(x2) | 5/8" x 1-3/8" x 9-1/8" (16 x 34 x 233)

O3 | BLOCK - W4L12603
(x1) | 5/8" x 1 3/8" x 3 7/8" (16 x 34 x 100)



O70 | SLIDE MOUNTING BOARD - W102822
(x1) | 5/8" x 1-3/8" x 20-3/8" (16 x 34 x 517)

T2 | TRIM - W4L12483
(x1) | 1" x 1-3/8" x 27-5/8" (24 x 34 x 702)

T3 | TRIM - W4L12484
(x1) | 1" x 1-3/8" x 27-5/8" (24 x 34 x 702)



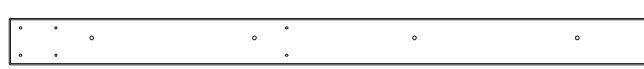
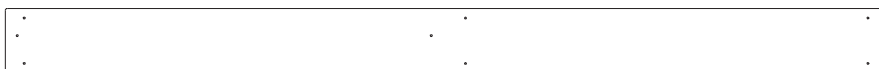
T4 | TRIM - W4L11771
(x1) | 1" x 1-3/8" x 17" (24 x 34 x 432)

T5 | WINDOW TRIM - W4L12604
(x1) | 1" x 1-3/8" x 23-3/8" (24 x 34 x 595)

T6 | WINDOW TRIM - W4L12605
(x3) | 1" x 1-3/8" x 11-1/4" (24 x 34 x 285)



SP50 | SWING BEAM SUPPORT - W4L12331
(x1) | 3-3/8" x 3-3/8" x 49-3/8" (86 x 86 x 1254)

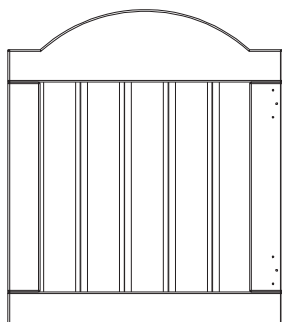


Y1 | RAIL - W4L12336
(x1) | 5/8" x 4" x 55-1/8" (16 x 102 x 1400)

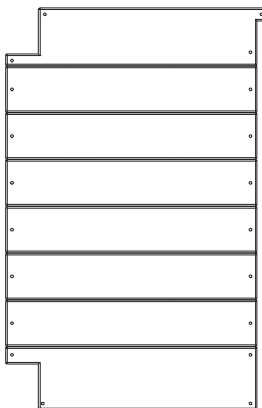
Y2 | ATTACHMENT BOARD - W4L11755
(x1) | 5/8" x 4" x 56-1/8" (16 x 102 x 1424)



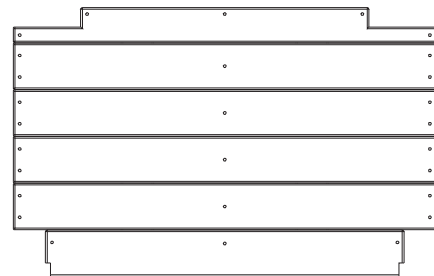
Wood Components (Not to Scale)



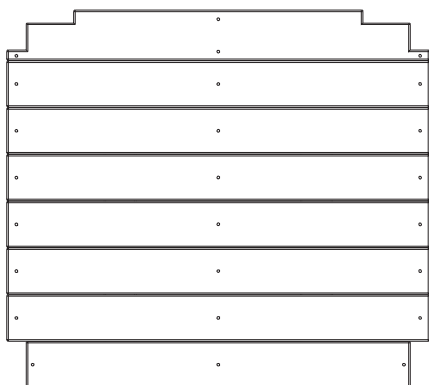
DP1 | DOOR PANEL - W2A02773
(x1) | 1-1/16" x 20" x 22-15/16" (27 x 508 x 582)



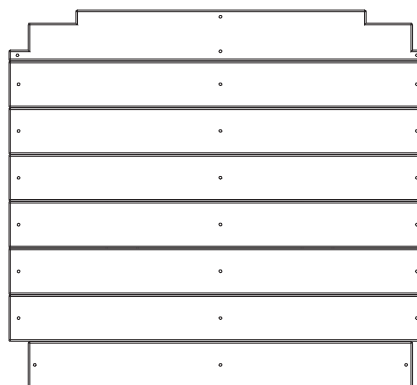
FP1 | FLOOR PANEL - W2A02777
(x1) | 1-1/4" x 19" x 29-1/4" (32 x 482 x 744)



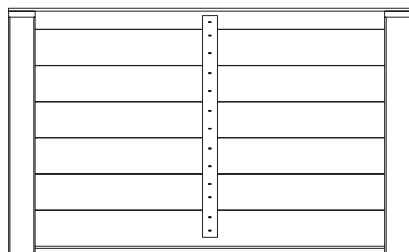
FP2 | FLOOR PANEL - W2A02778
(x1) | 1-1/4" x 19-9/16" x 30-7/8" (32 x 498 x 784)



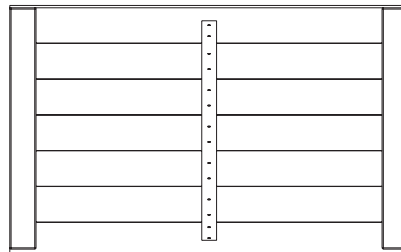
FP3 | FLOOR PANEL - W2A02779
(x1) | 1-1/4" x 27-3/4" x 30-7/8" (32 x 705 x 784)



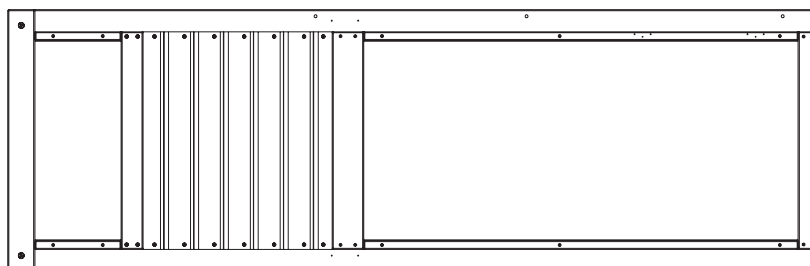
FP4 | FLOOR PANEL - W2A02780
(x1) | 1-1/4" x 27-1/2" x 30-3/8" (32 x 699 x 772)



RP1 | ROOF PANEL - W2A02781
(x2) | 1-3/8" x 21-7/8" x 35-13/16" (35 x 556 x 910)



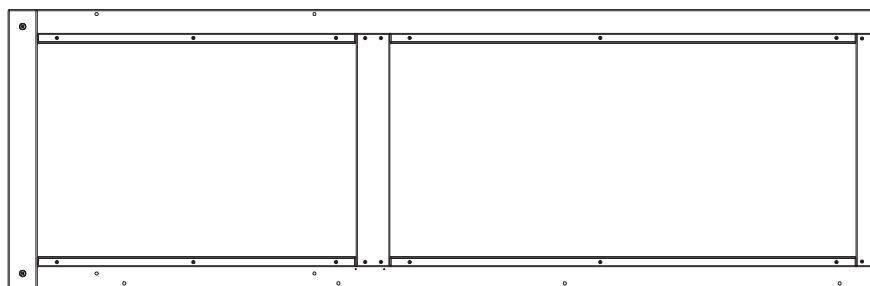
RP2 | ROOF PANEL - W2A02782
(x2) | 1-3/8" x 22-5/8" x 35-13/16" (35 x 575 x 910)



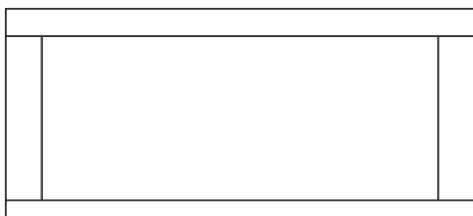
WP1 | WALL PANEL - W2A02767
(x1) | 1-7/16" x 28-1/16" x 87-3/16" (36 x 712 x 2214)



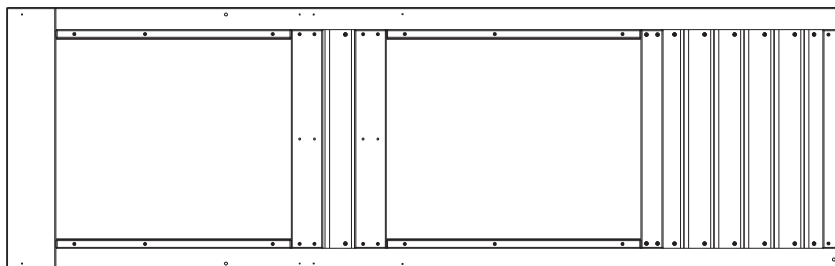
Wood Components (Not to Scale)



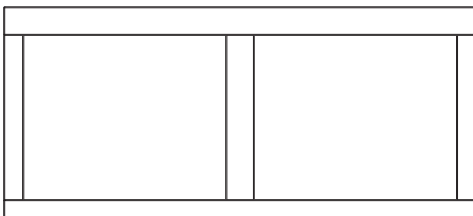
WP2 | WALL PANEL - W2A02768
(x1) | 1-7/16" x 28-1/16" x 87-3/16" (36 x 712 x 2214)



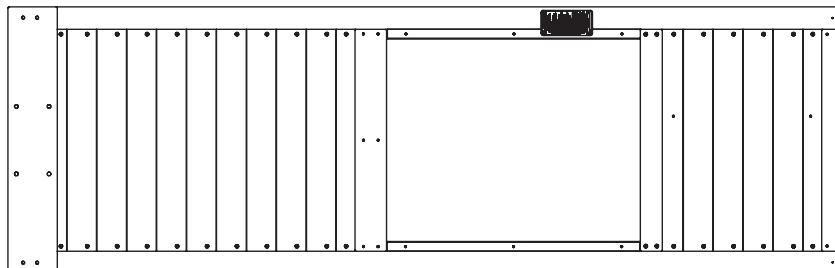
WP3 | FRONT WINDOW FRAME - W2A02769
(x1) | 1-7/16" x 25-3/16" x 56-1/16" (36 x 640 x 1424)



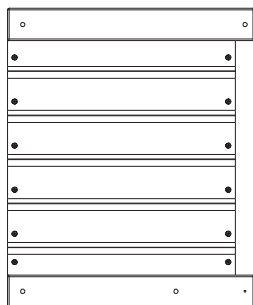
WP4 | WALL PANEL - W2A02770
(x1) | 1-7/16" x 28-1/16" x 89-1/2" (36 x 712 x 2274)



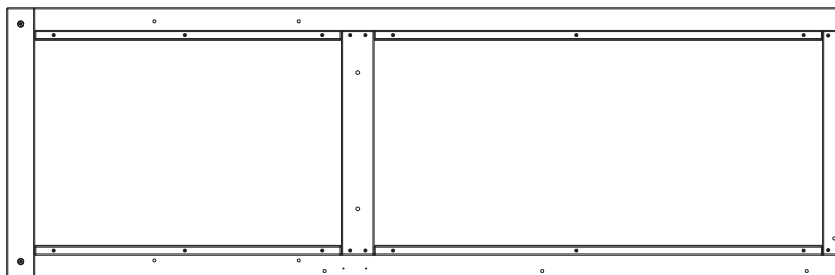
WP6 | REAR WINDOW FRAME - W2A02772
(x1) | 1-7/16" x 25-3/16" x 56-1/16" (36 x 640 x 1424)



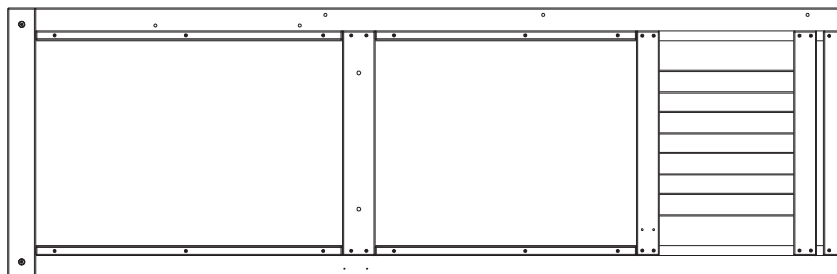
WP7 | WALL PANEL - W2A02774
(x1) | 1-7/16" x 28-1/16" x 89-1/2" (36 x 712 x 2274)



WP8 | WALL PANEL - W2A02775
(x1) | 1-7/16" x 18-1/16" x 21-13/16" (36 x 458 x 554)



WP9 | WALL PANEL - W2A02776
(x1) | 1-7/16" x 28-1/16" x 87-3/16" (36 x 712 x 2214)



WP10 | WALL PANEL - W2A02783
(x1) | 1-9/16" x 28-1/16" x 87-3/16" (40 x 712 x 2214)



Hardware



H100085 | **SCREW PFH**
(x2) 8x1 - H100085



H100086 | **SCREW PFH**
(x189) 8x1-1/2 - H100086



H100087 | **SCREW PFH**
(x26) 8x1-1/4 - H100087



H100088 | **SCREW PFH**
(x53) 8x1-1/8 - H100088



H100089 | **SCREW PFH**
(x30) 8x1-3/4 - H100089



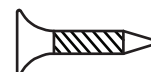
H100090 | **SCREW PFH**
(x13) 8x2-1/2 - H100090



H100092 | **SCREW PFH**
(x7) 8x3 - H100092



H100111 | **SCREW PFH**
(x11) 8x2 - H100111



H100121 | **SCREW PFH**
(x3) 8x3/4 - H100121



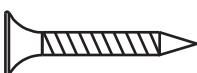
H100200 | **SCREW PFH BLK**
(x22) 8x1-1/2 - H100200



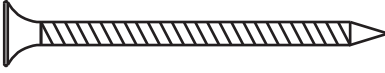
H100201 | **SCREW PFH BLK**
(x33) 8x2-1/2 - H100201



H100202 | **SCREW PWH BLK**
(x46) 8x5/8 - H100202



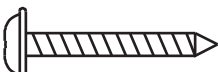
H100385 | **SCREW PFH BLK**
(x17) 8x1 - H100385



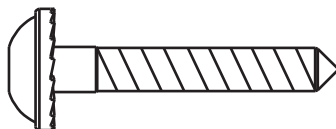
H100391 | **SCREW PFH BLK**
(x15) 8x2 - H100391



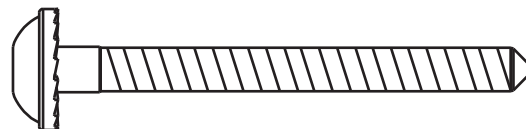
H100536 | **SCREW PWH BLK**
(x2) 8x1-1/4 - H100536



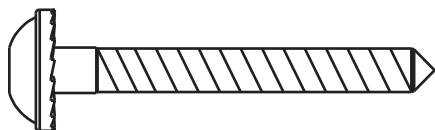
H100785 | **SCREW PWH**
(x98) 8x1 - H100785



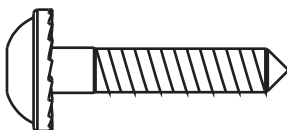
H100403 | **LAG SCREW WH BLK**
(x2) 1/4x1-1/2 - H100403



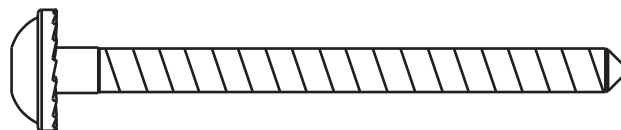
H100456 | **LAG SCREW WH BLK**
(x22) 1/4x2-1/2 - H100456



H100487 | **LAG SCREW WH BLK**
(x12) 1/4x2 - H100487



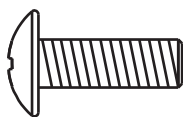
H100568 | **LAG SCREW WH BLK**
(x20) 1/4x1-1/4 - H100568



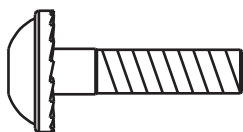
H100792 | **LAG SCREW WH BLK**
(x1) 1/4x3 - H100792



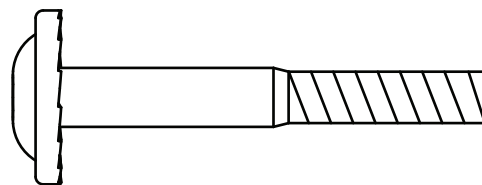
Hardware



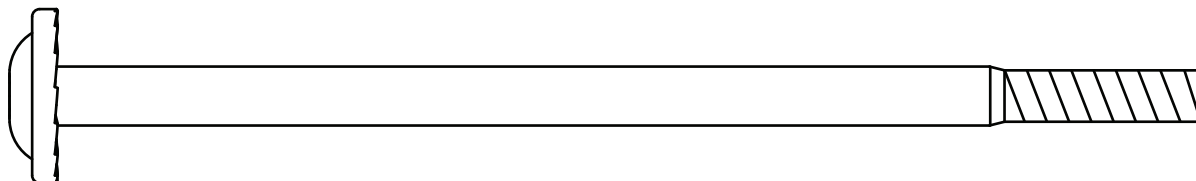
H100063 | BOLT PTH
(x26) | 1/4 x 3/4 - H100063



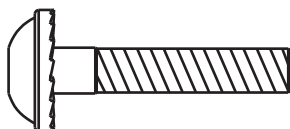
H100171 | BOLT WH BLK
(x9) | 1/4 x 1 - H100171



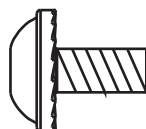
H100205 | BOLT WH BLK
(x2) | 5/16 x 2-1/4 - H100205



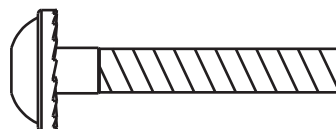
H100363 | BOLT WH BLK
(x1) | 5/16 x 6 - H100363



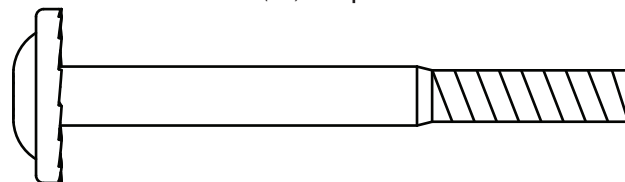
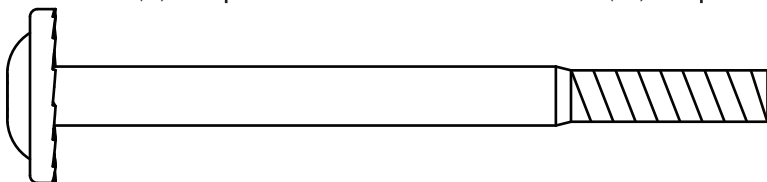
H100397 | BOLT WH BLK
(x3) | 1/4 x 1-1/4 - H100397



H100401 | BOLT WH BLK
(x11) | 1/4 x 1/2 - H100401

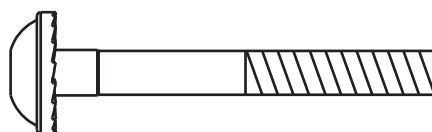
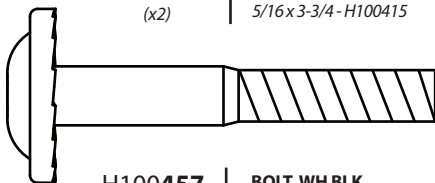


H100406 | BOLT WH BLK
(x25) | 1/4 x 1-1/2 - H100406



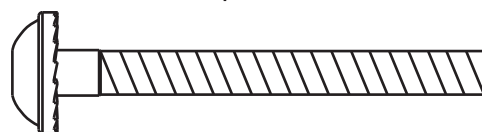
H100415 | BOLT WH BLK
(x2) | 5/16 x 3-3/4 - H100415

H100416 | BOLT WH BLK
(x13) | 5/16 x 3 - H100416

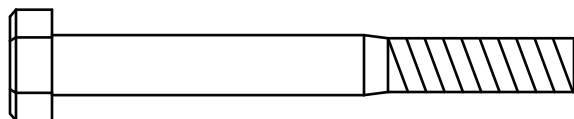


H100457 | BOLT WH BLK
(x4) | 5/16 x 2 - H100457

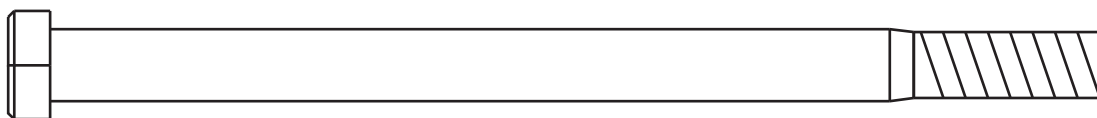
H100488 | BOLT WH BLK
(x18) | 1/4 x 2 - H100488



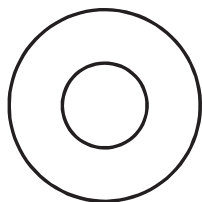
H100567 | BOLT WH BLK
(x19) | 1/4 x 2-1/4 - H100567



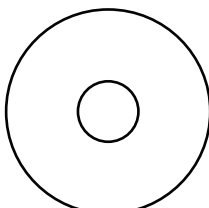
H100658 | BOLT HEX BLK
(x4) | 5/16 x 2-1/2 - H100658



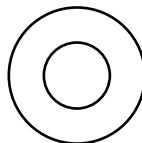
H100654 | BOLT HEX
(x13) | 3/8 x 5-1/2 - H100654



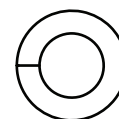
H100102 | WASHER FLAT
(x13) | 11 x 25 - H100102



H100478 | WASHER FLAT BLK
(x4) | 8x27 - H100478



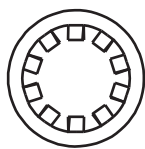
H100474 | WASHER FLAT BLK
(x8) | 9x18 - H100474



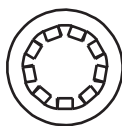
H100477 | WASHER SPLIT BLK
(x4) | 5/16 - H100477



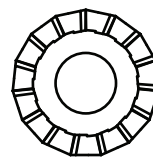
Hardware



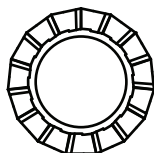
H100107 | WASHER LOCK INT
(x13) | 10x18 - H100107



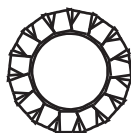
H100108 | WASHER LOCK INT
(x26) | 8x15 - H100108



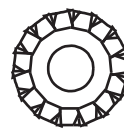
H100198 | WASHER LOCK EXT BLK
(x10) | 8x19 - H100198



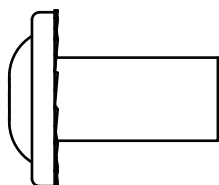
H100199 | WASHER LOCK EXT BLK
(x10) | 12x19 - H100199



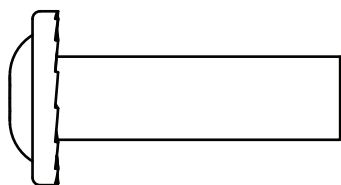
H100400 | WASHER LOCK EXT BLK
(x40) | 8x15 - H100400



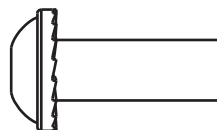
H100405 | WASHER LOCK EXT BLK
(x69) | 6x15 - H100405



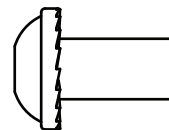
H100192 | NUT BARREL WH BLK
(x21) | 5/16x7/8 - H100192



H100193 | NUT BARREL WH BLK
(x2) | 5/16x1-1/2 - H100193



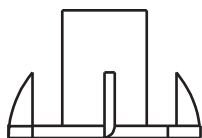
H100399 | NUT BARREL WH BLK
(x34) | 1/4x7/8 - H100399



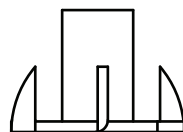
H100404 | NUT BARREL WH BLK
(x6) | 1/4x5/8 - H100404



H100072 | T-NUT
(x26) | 1/4 - H100072



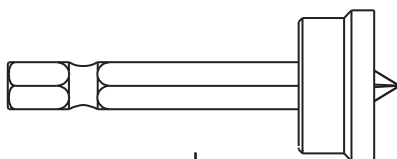
H100073 | T-NUT
(x13) | 3/8 - H100073



H100379 | T-NUT BLK
(x4) | 5/16 - H100379

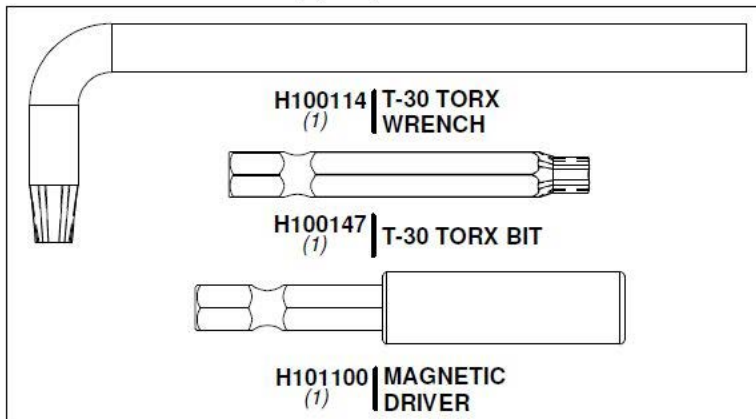


H100398 | T-NUT BLK
(x44) | 1/4 - H100398



H100764 | SCREW SETTER
(x1) | H100764

9220119 | TOOL KIT
(1)



H100114 | T-30 TORX
(1) | WRENCH

H100147 | T-30 TORX BIT
(1)

H101100 | MAGNETIC
(1) | DRIVER



Accessories (Not to Scale)



A6P00054 | SWING SEAT GREEN 22"
(x2) A6P00054



A100047 | CHAIN GREEN 57"
(x4) A100047



A4M00710 | L BRACKET BLACK 32X51
(x11) A4M00710



A100069 | QUICK LINK
(x6) A100069



A100107 | STEERING WHEEL KIT
(x1) A100107



A100118 | HAND GRIP
(x3) A100118



A100164 | BYD ID TAG
(x1) A100164



A100177 | CHAIN GREEN 31"
(x2) A100177



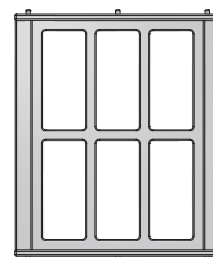
A100178 | G METAL GROUND STAKE
(x7) BROWN - A100178



A100314 | 'A' REVISION TAG
(x1) A100314



A100327 | HINGE, SPRING LOADED
(x1) A100327



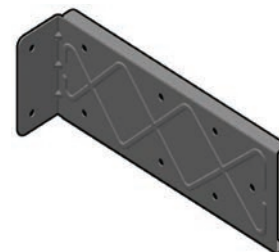
A100373 | BAY WINDOW PANEL
(x3) A100373



A4M00855 | L BRACKET 51X32X82X3.125
(x6) A4M00855



A4M00505 | SWING HANGER
(x6) QUICK LINK - A4M00505



A4M00993 | EXT. SWING BEAM BRACKET
(x2) A4M00993



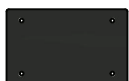
Accessories (Not to Scale)



A4M00555 | L BRACKET BLK
(x2) A4M00555



A4M00558 | HINGE, NON-SPRING LOADED
(x1) A4M00558



A4M00995 | METAL CLEAT
(x2) A4M00995



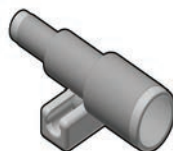
A6P00034 | TRAPEZE
(x1) A6P00034



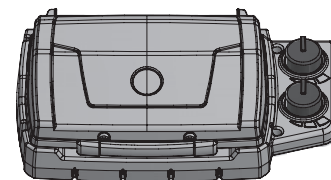
A6P00036 | GREEN HC ROCK #1
(x6) A6P00036



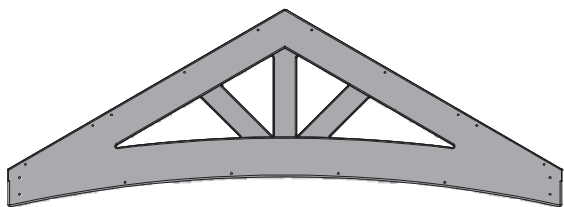
A6P00037 | GREEN HC ROCK #2
(x6) A6P00037



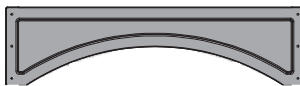
A6P00096 | TELESCOPE
(x1) A6P00096



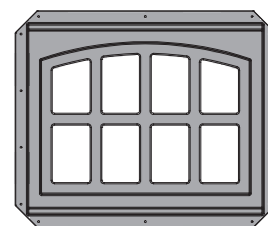
A6P00282 | BBQ GRILL
(x1) A6P00282



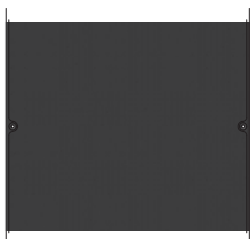
A6P00319 | ARCHED GABLE
(x2) A6P00319



A6P00320 | ARCHED SIDE
(x2) A6P00320



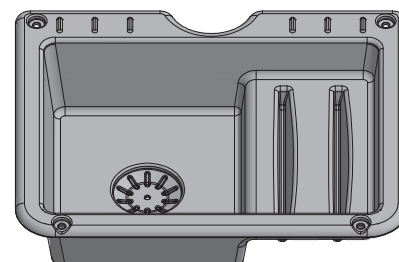
A6P00321 | ARCHED WINDOW
(x2) A6P00321



A6P00323 | CHALK BOARD
(x1) A6P00323



A6P00324 | CHALK BOARD LARGE
(x1) A6P00324



A6P00332 | PREMIUM SINK
(x1) A6P00332



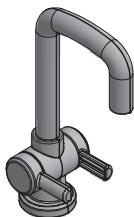
A4M00554 | **BELL ASSEMBLY**
(x1) | A4M00554



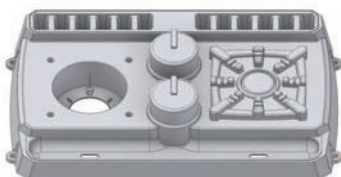
A100325 | **SWING BEAM EXT. BRACKET**
(x1) | Left - A100325



A100326 | **SWING BEAM EXT. BRACKET**
(x1) | Right - A100326



A6P00333 | **FAUCET**
(x1) | A6P00333

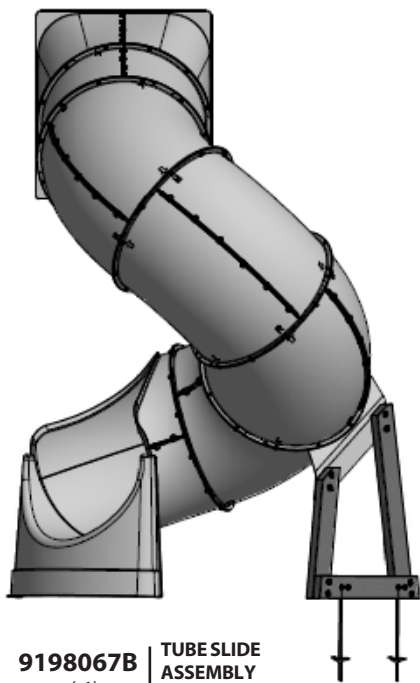


A6P00335 | **STOVE BASE**
(x1) | A6P00335



A6P00327 | **GRILL FOOD SET**
(x1) | A6P00327

! BE SURE TO WASH ALL PLASTIC TOYS BEFORE USE.



9198067B | **TUBE SLIDE ASSEMBLY**
(x1) | 9198067



A6P00336 | **BOIL POT**
(x1) | A6P00336



A6P00337 | **POT/PAN LID**
(x2) | A6P00337



A6P00338 | **FRY PAN**
(x1) | A6P00338



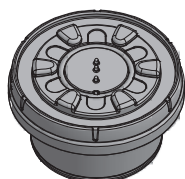
A6P00339 | **SPATULA**
(x1) | A6P00339



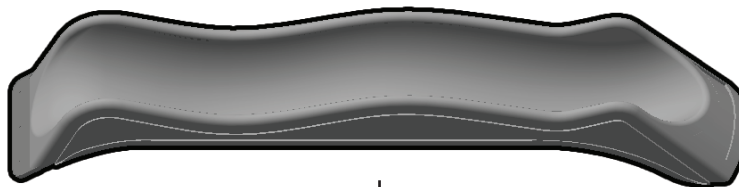
A6P00340 | **LADLE**
(x1) | A6P00340



A6P00331 | **BLENDER**
(x1) | A6P00331



A6P00330 | **INDUCTIVE BURNER**
(x1) | A6P00330



A100287 | **SLIDE V F 10 FT**
(x1) | A100287

NOTE: THIS DEVICE COMPLIES WITH PART 15 OF THE FCC RULES. OPERATION IS SUBJECT TO THE FOLLOWING TWO CONDITIONS: (1) THIS DEVICE MAY NOT CAUSE HARMFUL INTERFERENCE (2) THIS DEVICE MUST ACCEPT ANY INTERFERENCE RECEIVED, INCLUDING INTERFERENCE THAT MAY CAUSE UNDESIRABLE OPERATION.

FCC LABEL

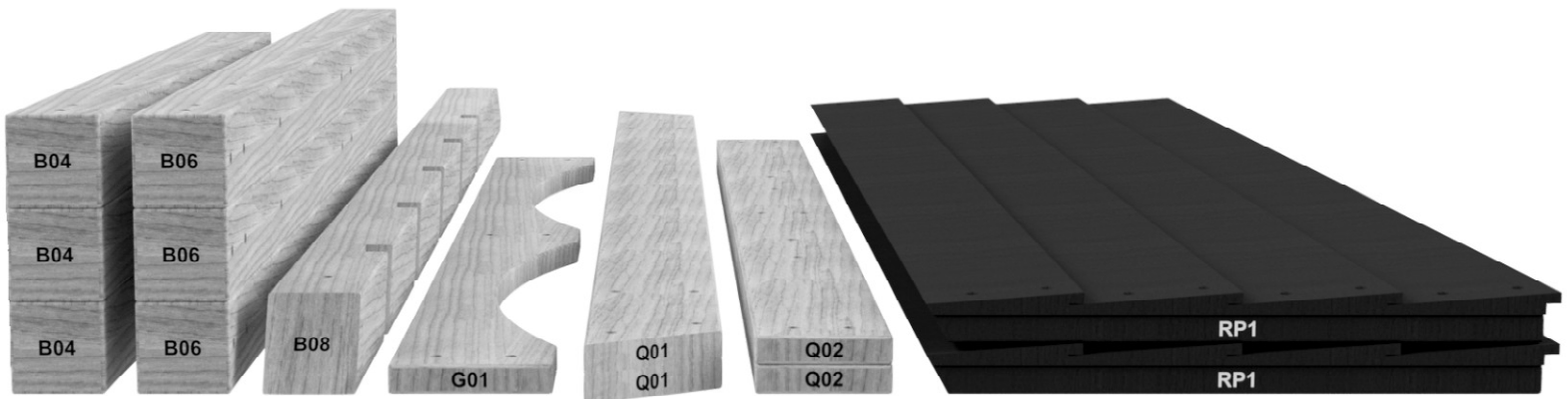
PRE-ASSEMBLY STEP 1 - SORTING PARTS

It is critical for ease of assembly that you take the time to sort and organize the wood and hardware.

WOOD PARTS:

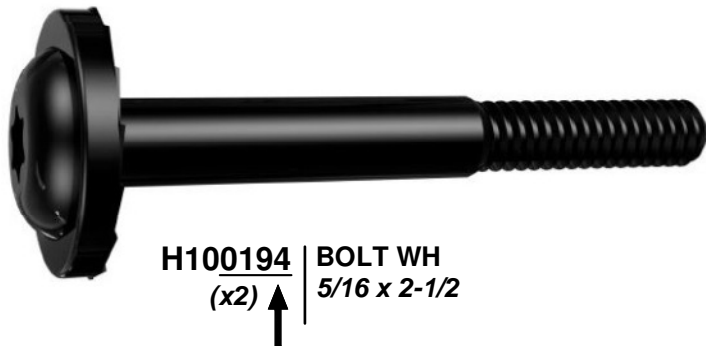
- Organize wood parts by the three-digit, alpha-numeric number stamped on each board (ex. P01).
- If there are multiple boards with the same stamped number, stack those pieces together.
- Stamps can be found on the flat surface of the boards or on the end of the boards.
- Allow yourself plenty of room - the wood pieces can take up a significant amount of space.

NOTE: CARTONS ARE NOT ORGANIZED BY BOARD NUMBER.



HARDWARE PARTS:

- We recommend that you have a separate table to organize the hardware.
- Hardware bags are printed with a seven-digit, alpha-numeric part number.
- You can organize your hardware by part number or group by hardware type (i.e. bolts, nuts, etc.).
- During assembly you only need to reference the last four digits of the number.



PRE-ASSEMBLY STEP 2 - TOOLS REQUIRED



**Cordless Drill or
Electric Drill**



**Drill Attachments:
Phillips Head**



**1/8", 3/16", 3/8" & 7/16"
Drill Bits**



Phillips Screw Driver



Open End Wrenches 1/2" & 9/16"



**3/8" Drive Ratchet, 1/2" &
9/16" STD Sockets 1/2" & 9/16" Deep
Sockets**



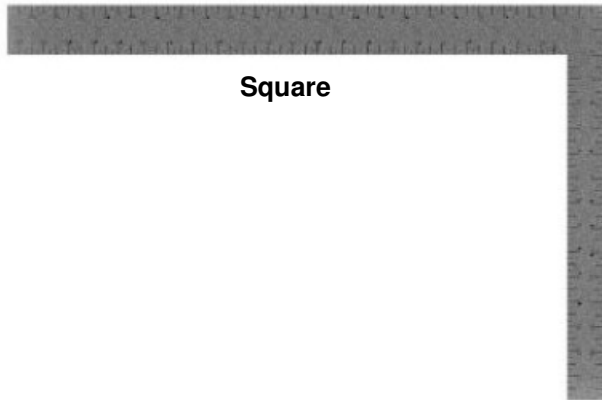
Claw Hammer



Rubber Mallet - Optional



Tape Measure



Square

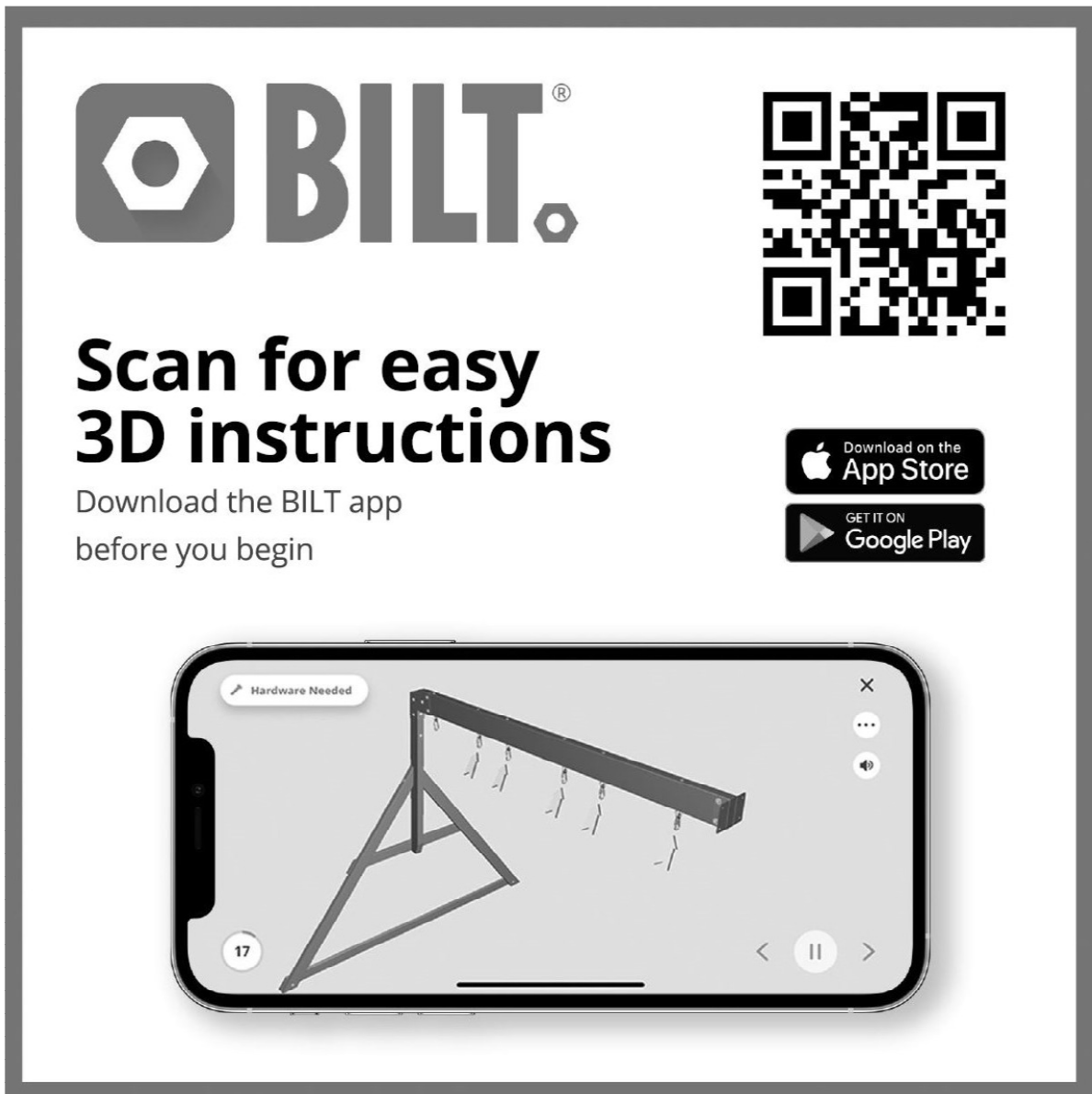


Level 24"

PRE-ASSEMBLY STEP 3 - CHOOSE YOUR ASSEMBLY METHOD

There are several types of assembly instructions available to you.

1. Printed Assembly Manual included with your set
2. BILT APP - 3D interactive instructions
3. Combination of the Printed Manual and BILT APP (Note: Step numbers can differ between the two methods)



The advertisement features the BILT logo on the left, a QR code on the right, and the text "Scan for easy 3D instructions" in the center. Below the text are buttons for "Download on the App Store" and "GET IT ON Google Play". At the bottom, a smartphone displays a 3D assembly instruction for step 17, showing a metal frame with a horizontal beam and several hanging components. The phone screen also shows a "Hardware Needed" button, a close button (X), and navigation controls (back, play/pause, forward).



Phase 1

STEP 1



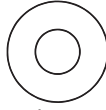
A1 | SWING BEAM EXTENDED - W4L12327
(x1) 3-3/8" x 5-1/4" x 89-1/2" (86 x 134 x 2274)



A4M00505 | SWING HANGER QUICK LINK
(x6) A4M00505



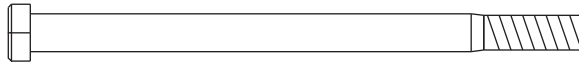
H100073 | T-NUT
(x12) 3/8 - H100073



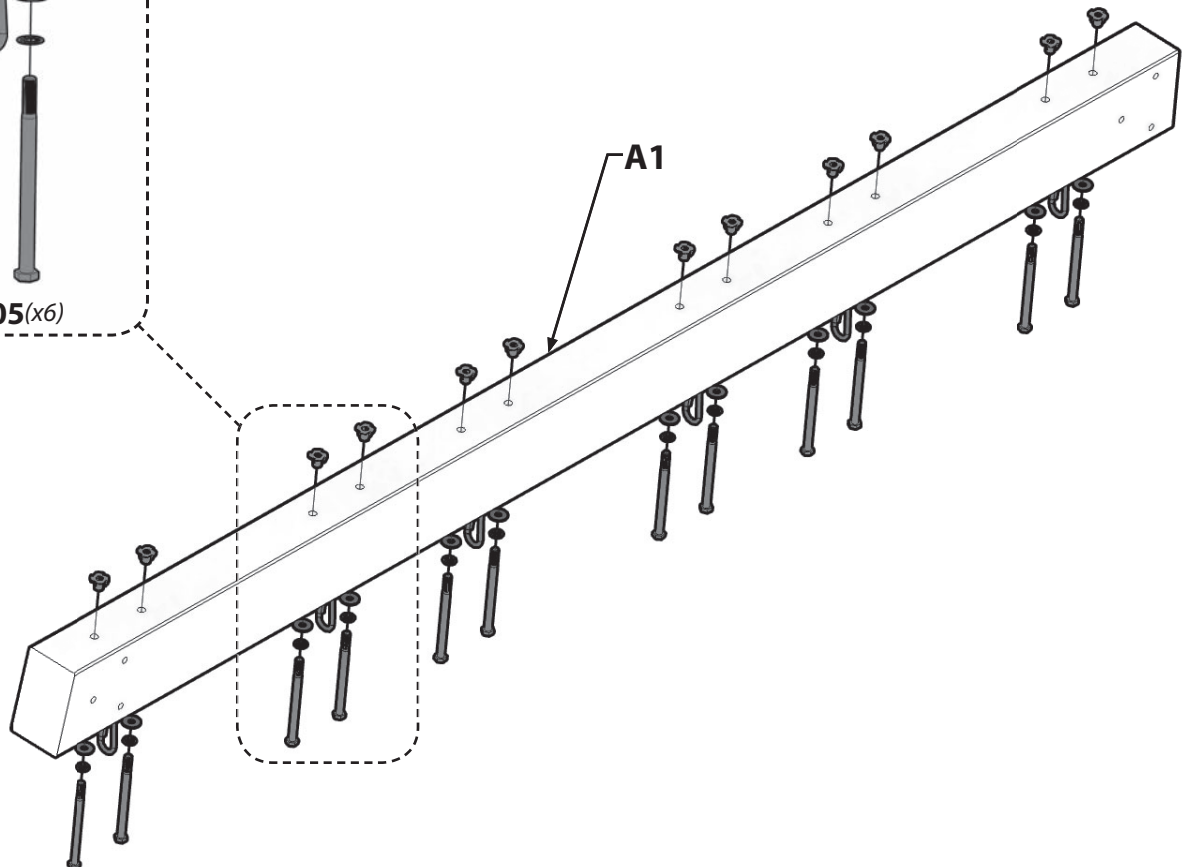
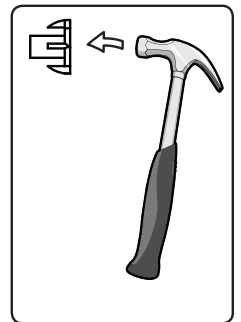
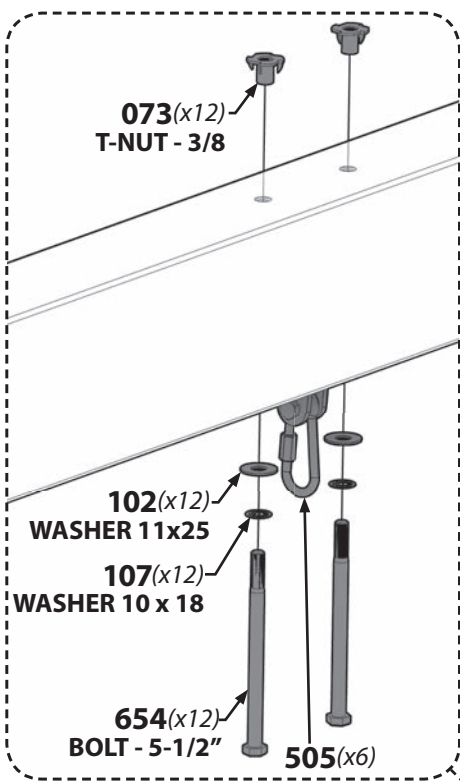
H100102 | WASHER FLAT
(x12) 11x25 - H100102



H100107 | WASHER LOCK INT
(x12) 10x18 - H100107



H100654 | BOLT HEX
(x12) 3/8 x 5-1/2 - H100654



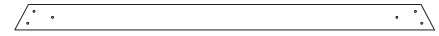


Phase 1

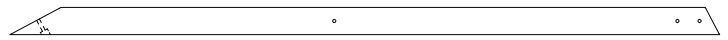
STEP 2



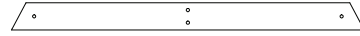
SP50 | SWING BEAM SUPPORT - W4L12331
(x1) | 3-3/8" x 3-3/8" x 49-3/8" (86 x 86 x 1254)



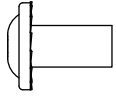
G50 | GROUND BOARD - W4L12330
(x1) | 1" x 5-1/4" x 86-3/4" (24 x 134 x 2202)



E2 | ANGLE BRACE - W4L12328
(x2) | 1-3/8" x 3-3/8" x 88-3/4" (36 x 86 x 2254)



E3 | END SUPPORT - W4L12329
(x1) | 1-3/8" x 3-3/8" x 44-1/8" (36 x 86 x 1120)



H100192 | NUT BARREL WH BLK
(x7) | 5/16 x 7/8 - H100192



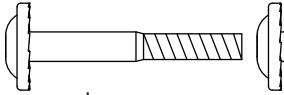
H100193 | NUT BARREL WH BLK
(x2) | 5/16 x 1-1/2 - H100193



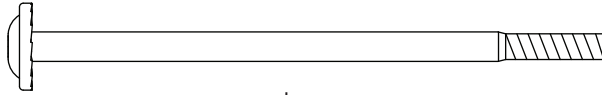
H100198 | WASHER LOCK EXT BLK
(x9) | 8 x 19 - H100198



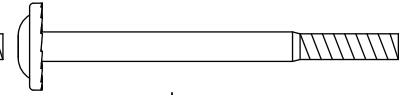
H100199 | WASHER LOCK EXT BLK
(x9) | 12 x 19 - H100199



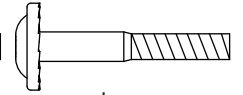
H100205 | BOLT WH BLK
(x2) | 5/16 x 2-1/4 - H100205



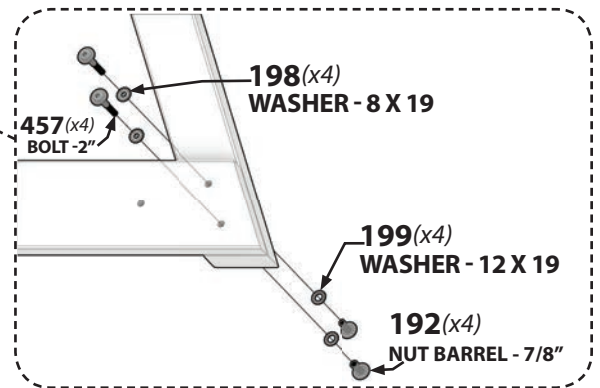
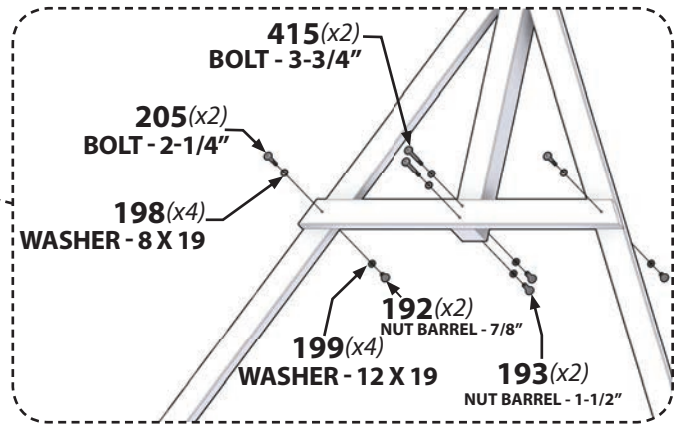
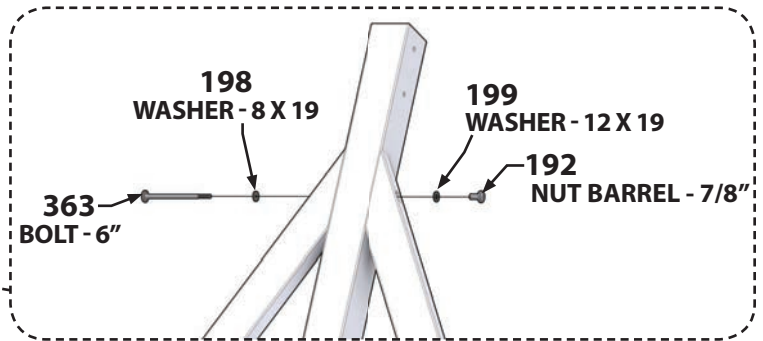
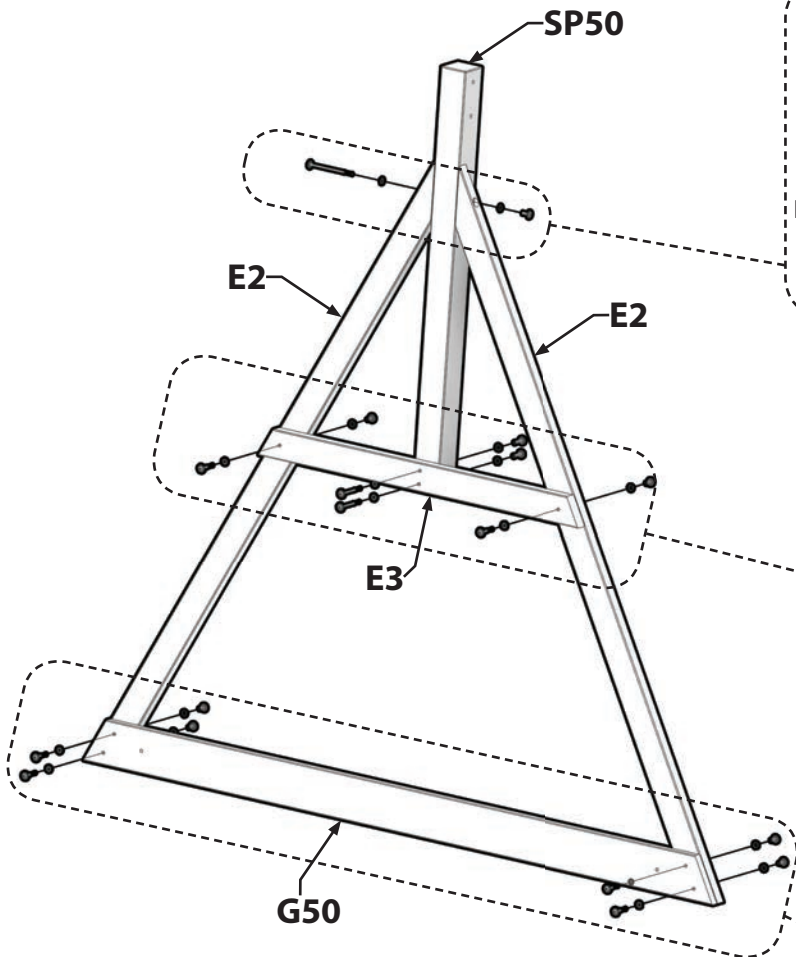
H100363 | BOLT WH BLK
(x1) | 5/16 x 6 - H100363



H100415 | BOLT WH BLK
(x2) | 5/16 x 3-3/4 - H100415



H100457 | BOLT WH BLK
(x4) | 5/16 x 2 - H100457

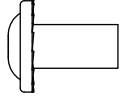




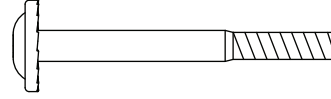
A100325 | SWING BEAM EXT. BRACKET
(x1) | Left - A100325



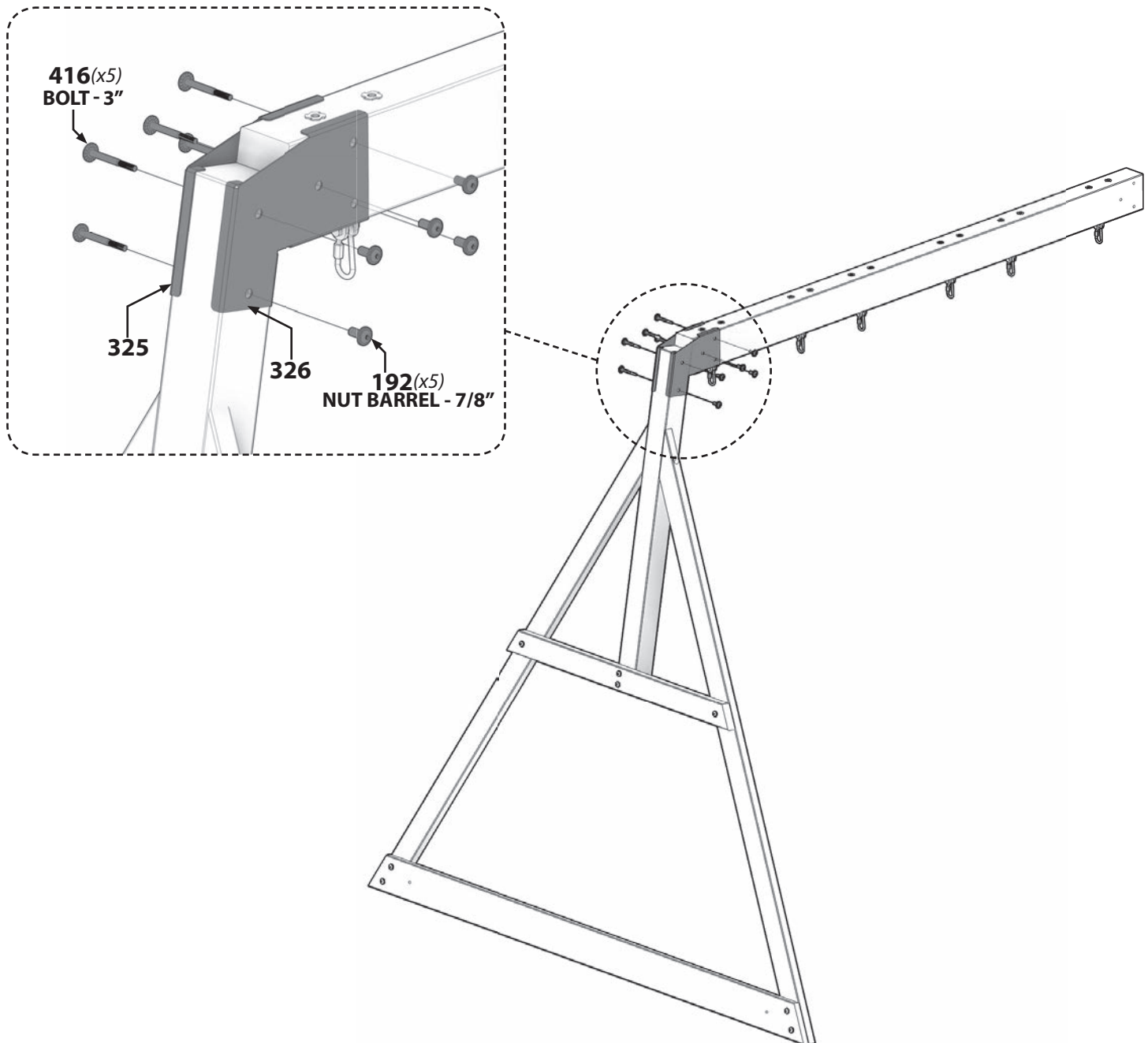
A100326 | SWING BEAM EXT. BRACKET
(x1) | Right - A100326



H100192 | NUT BARREL WH BLK
(x5) | 5/16x7/8 - H100192



H100416 | BOLT WH BLK
(x5) | 5/16x3 - H100416





Phase 1

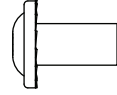
STEP 4



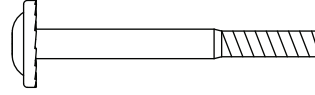
A2 | SWING BEAM 9" BLOCK - W4L12326
(x1) | 3-3/8" x 5-1/4" x 9" (86 x 134 x 228)



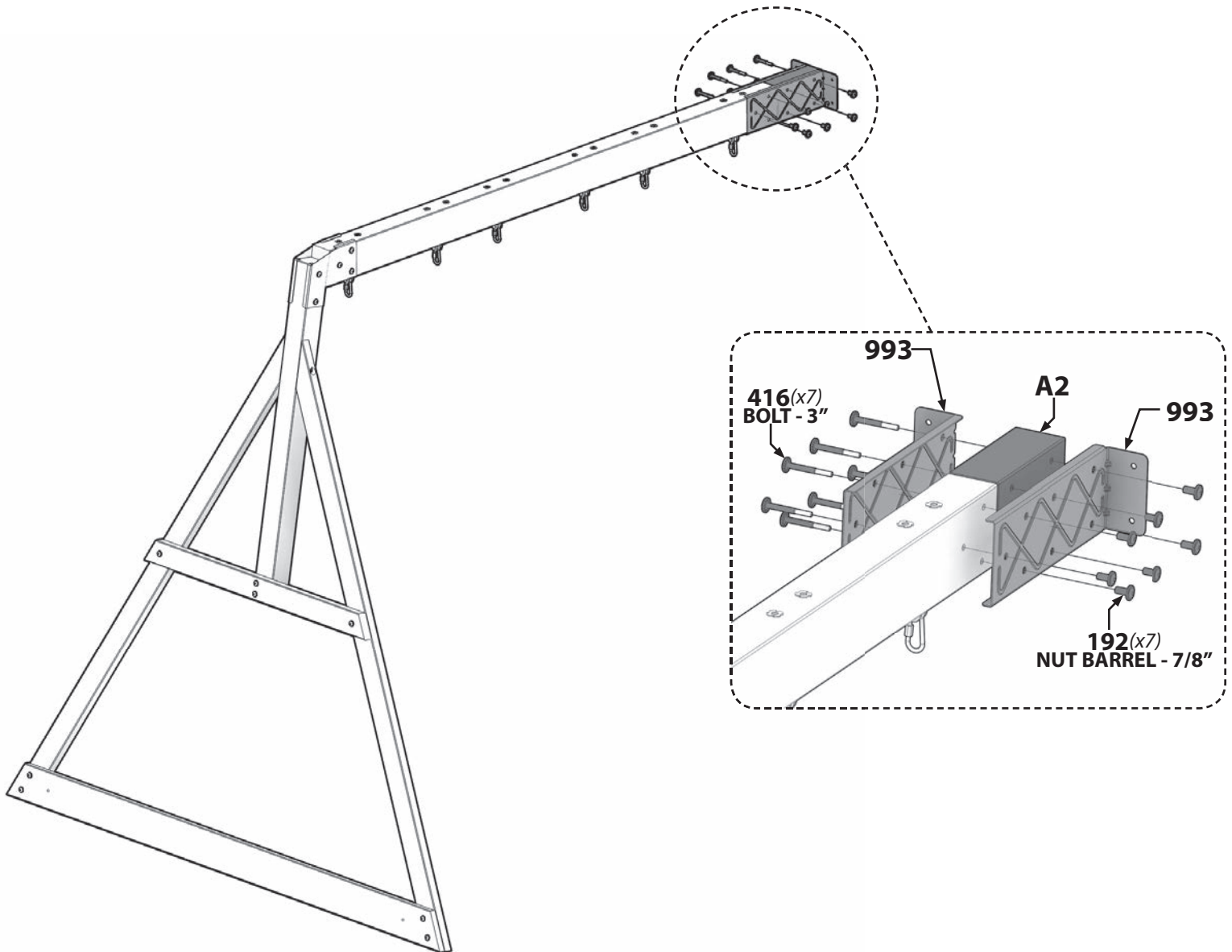
A4M00993 | EXT. SWING BEAM BRACKET
(x2) | A4M00993



H100192 | NUT BARREL WH BLK
(x7) | 5/16 x 7/8 - H100192



H100416 | BOLT WH BLK
(x7) | 5/16 x 3 - H100416



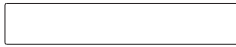


Phase 2

STEP 1



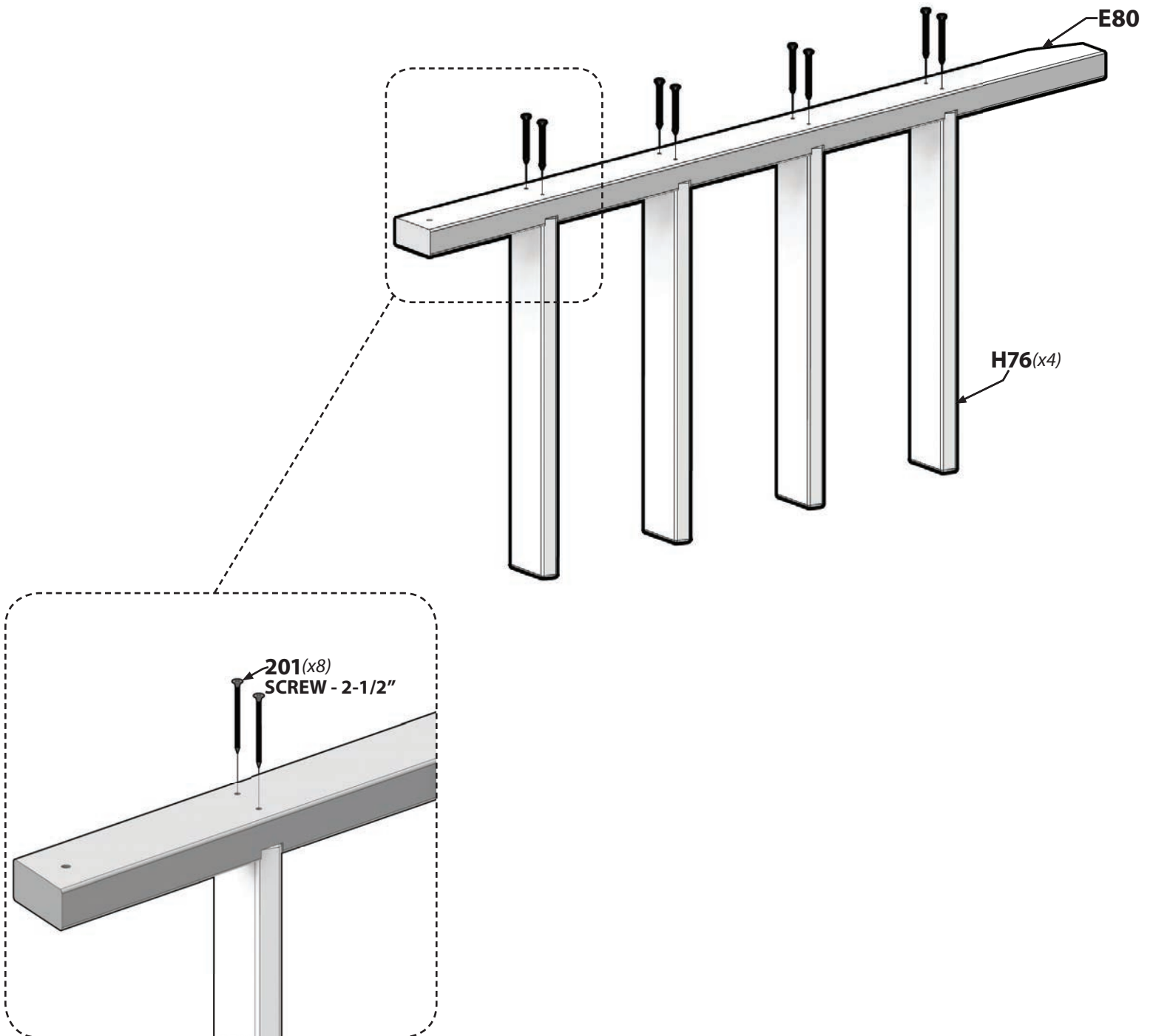
E80 | LEFT UPRIGHT - W4L11751
(x1) | 1-3/8" x 3-3/8" x 58" (36 x 86 x 1474)

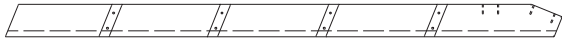


H76 | LADDER RUNG - W4L11753
(x4) | 1" x 3-3/8" x 19-3/8" (24 x 86 x 493)



H100201 | SCREW PFH BLK
(x8) | 8x2-1/2 - H100201

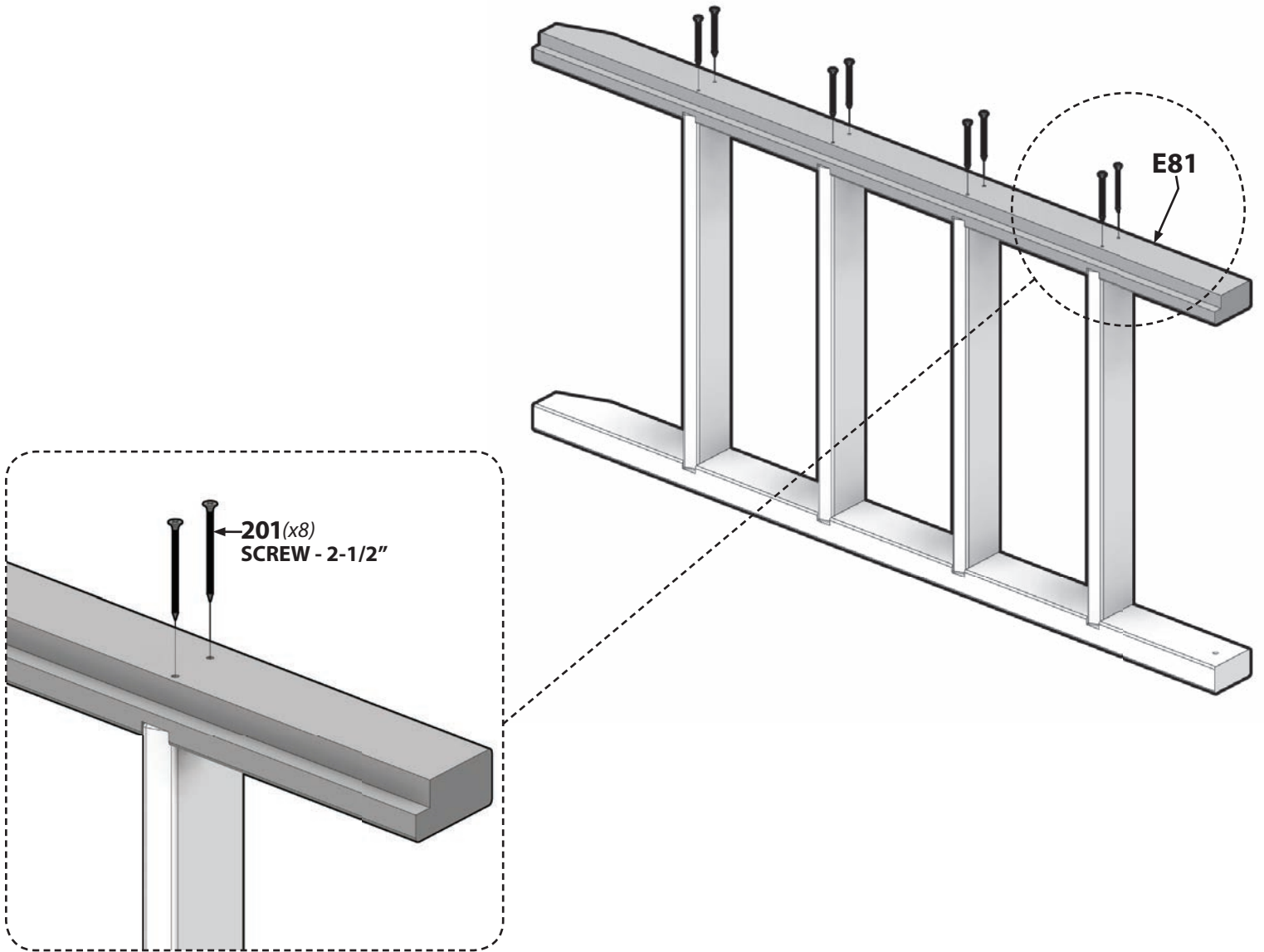




E81 | **MIDDLE UPRIGHT - W4L11752**
(x1) | 1-3/8" x 3-3/8" x 58" (24 x 86 x 1474)



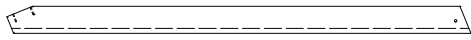
H100201 | **SCREW PFH BLK**
(x8) | 8x2-1/2 - H100201





Phase 2

STEP 3



E83 | RIGHT UPRIGHT - W4L11756
(x1) | 1-3/8" x 3-3/8" x 58" (24 x 86 x 1474)



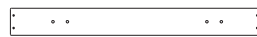
M75 | ROCK BOARD - W4L11758
(x4) | 5/8" x 3-3/8" x 31-1/4" (16 x 86 x 794)



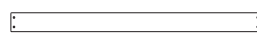
A6P00036 | GREEN HC ROCK #1
(x6) | A6P00036



M74 | ROCK BOARD - W4L11757
(x8) | 5/8" x 3-3/8" x 31-1/4" (16 x 86 x 794)



M76 | ROCK BOARD - W4L11759
(x4) | 5/8" x 3-3/8" x 31-1/4" (16 x 86 x 794)



N74 | ROCK BOARD - W4L11760
(x1) | 5/8" x 2-3/8" x 31-1/4" (16 x 60 x 794)



A6P00037 | GREEN HC ROCK #2
(x6) | A6P00037



H100063 | BOLT PTH
(x24) | 1/4 x 3/4 - H100063



H100072 | T-NUT
(x24) | 1/4 - H100072



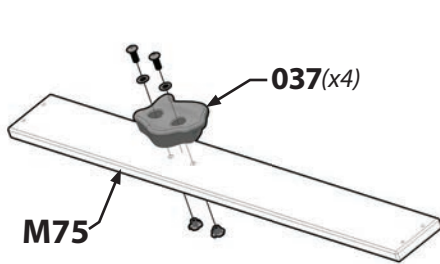
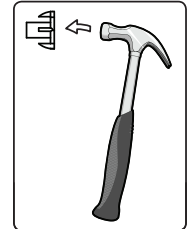
H100086 | SCREW PFH
(x60) | 8x1-1/2 - H100086



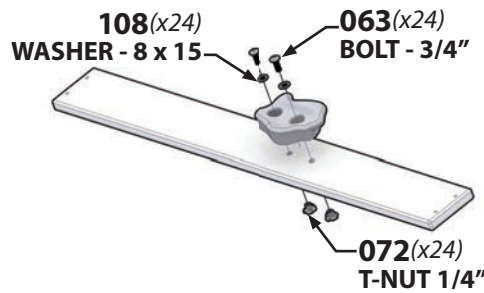
H100108 | WASHER LOCK INT
(x24) | 8x15 - H100108

NOTE: BUILD (4) ONE ROCK SUB-ASSEMBLIES AND (4) TWO ROCK SUB-ASSEMBLIES, AS SHOWN BELOW.

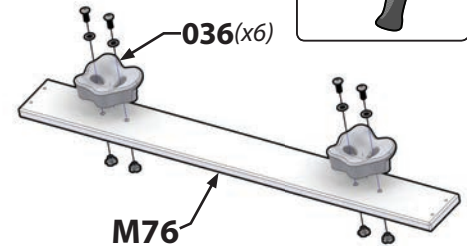
(2) M75 BOARD ORIENTATION WILL BE ROTATED CLOCKWISE 180 DEGREES. SEE EXAMPLE BELOW:



M75-A
(x2)



M75-B
(x2)



M76
(x4)

ASSEMBLE ROCK BOARDS TO UPRIGHTS AS SHOWN BELOW. DO NOT ASSEMBLE THE TOP (2) ROCK BOARDS AT THIS TIME. THE TOP (2) ROCK BOARDS WILL BE ASSEMBLED IN A LATER STEP.



M74 | ROCK BOARD - W4L11757
(x1) | 5/8" x 3-3/8" x 31-1/4" (16 x 86 x 794)

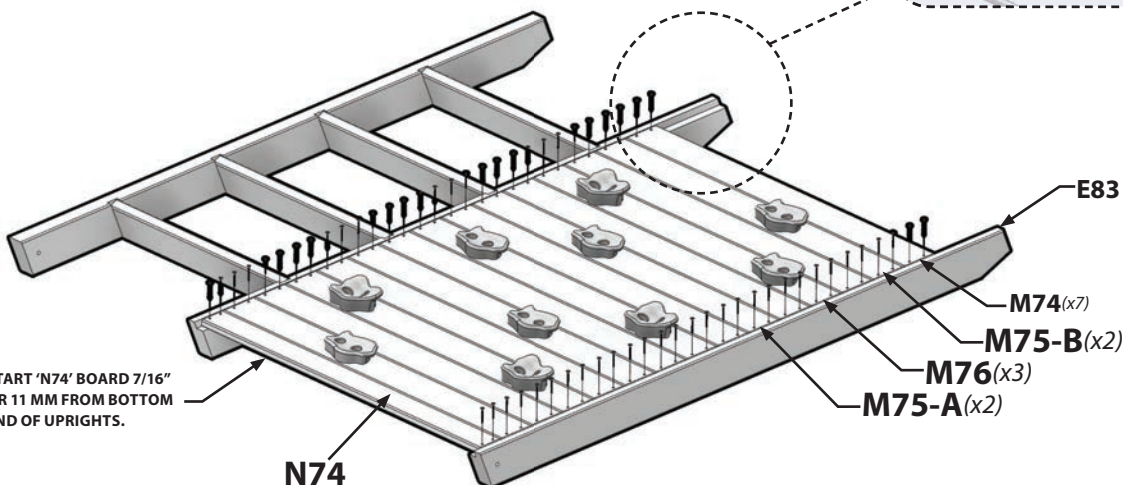
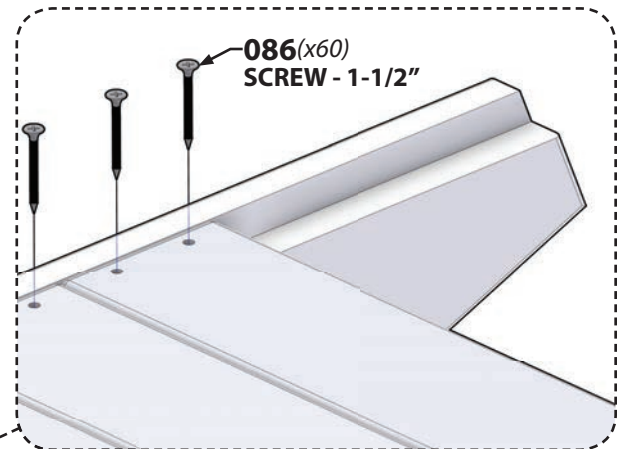


M76 | ROCK BOARD SUB-ASSEMBLY - W4L11759
(x1) | 5/8" x 3-3/8" x 31-1/4" (16 x 86 x 794)

PLACE ROCKS WITH ARROW POINTING UP.



NOTE: THE ROCK BOARD PATTERN IS M74, M75, M74, M76.



START 'N74' BOARD 7/16" OR 11 MM FROM BOTTOM END OF UPRIGHTS.




Phase 2

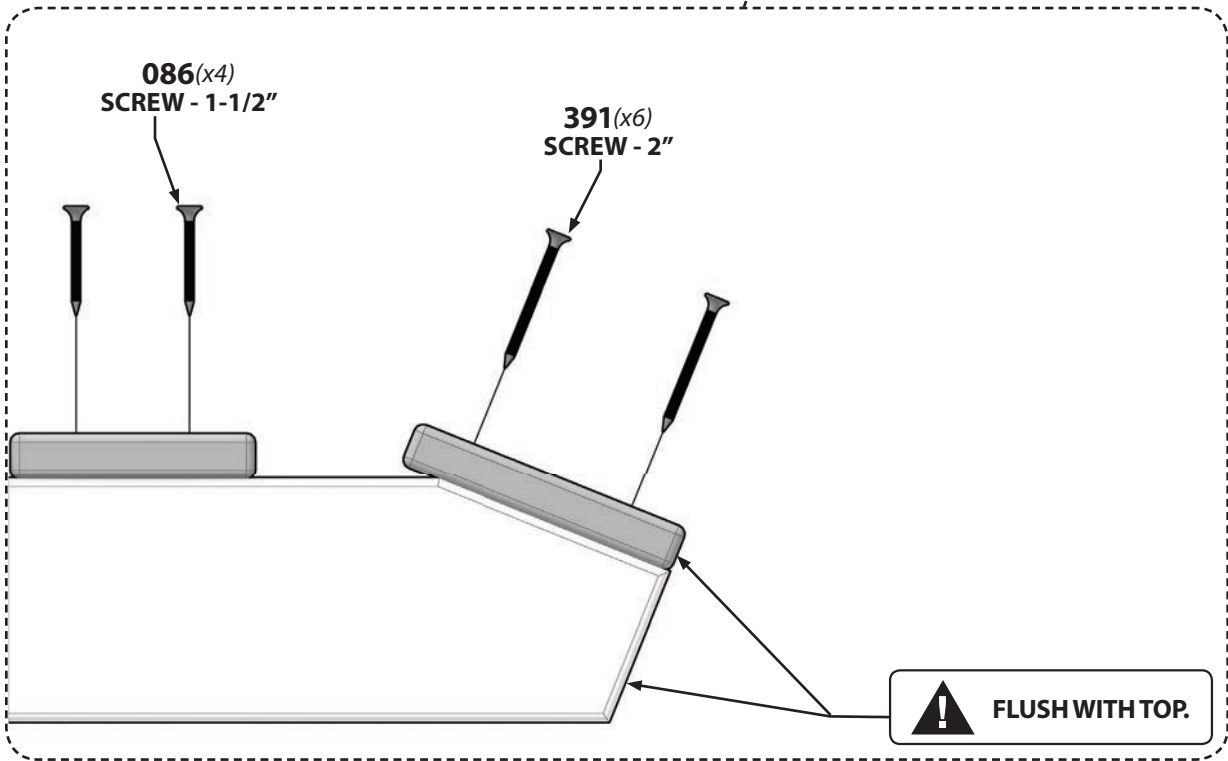
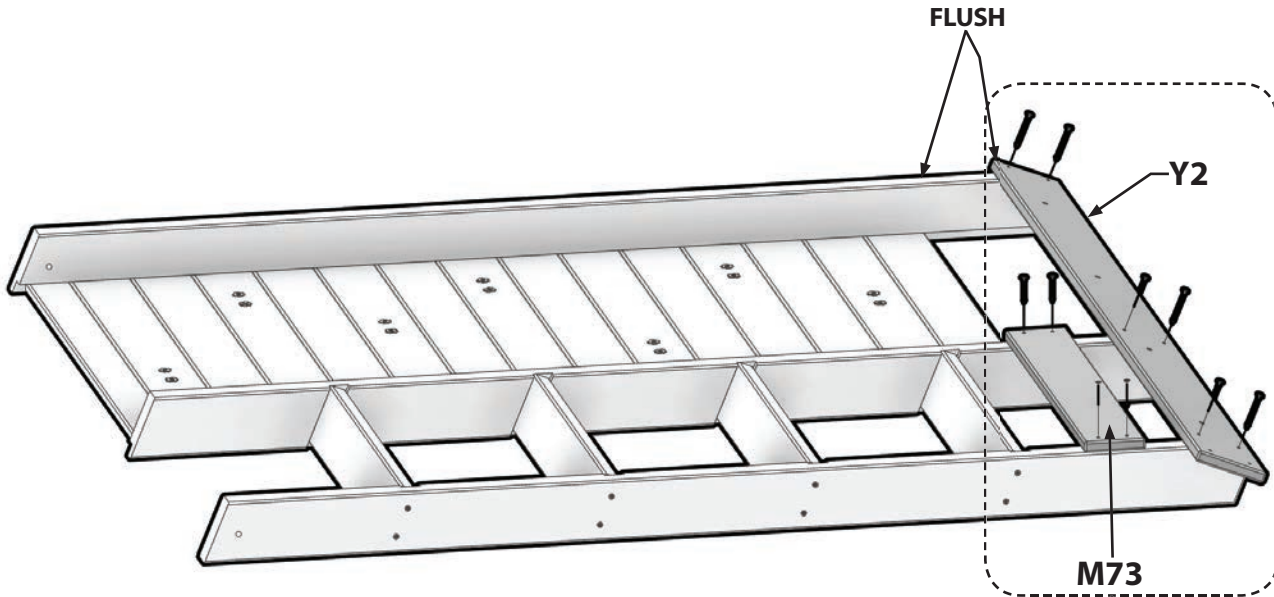
STEP 4

TOP		BOTTOM	
Y2 (x1)	ATTACHMENT BOARD - W4L11755 5/8" x 4" x 56-1/8" (16 x 102 x 1424)		
M73 (x1)	REAR SUPPORT - W4L11754 5/8" x 3-3/8" x 21-1/2" (16 x 86 x 545)		

 **H100086** | **SCREW PFH**
(x4) | 8x1-1/2 - H100086

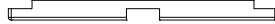
 **H100391** | **SCREW PFH BLK**
(x6) | 8x2 - H100391

NOTE: ORIENTATION, ALSO BE SURE TO USE PILOT HOLES AS A GUIDE TO LOCATE SCREW LOCATION ON BOARDS "Y2" AND "M73".

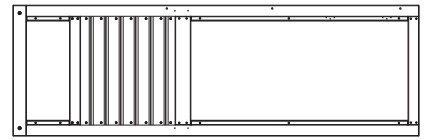




T5 | WINDOW TRIM - W4L12604
(x1) | 1"x1 3/8"x23 3/8" (24x34x595)



T6 | WINDOW TRIM - W4L12605
(x3) | 1"x1 3/8"x11 1/4" (24x34x285)



WP1 | WALL PANEL - W2A02767
(x1) | 1-7/16"x28-1/16"x87-3/16" (36x712x2214)



H100087 | SCREW PFH
(x8) | 8x1-1/4" - H100087

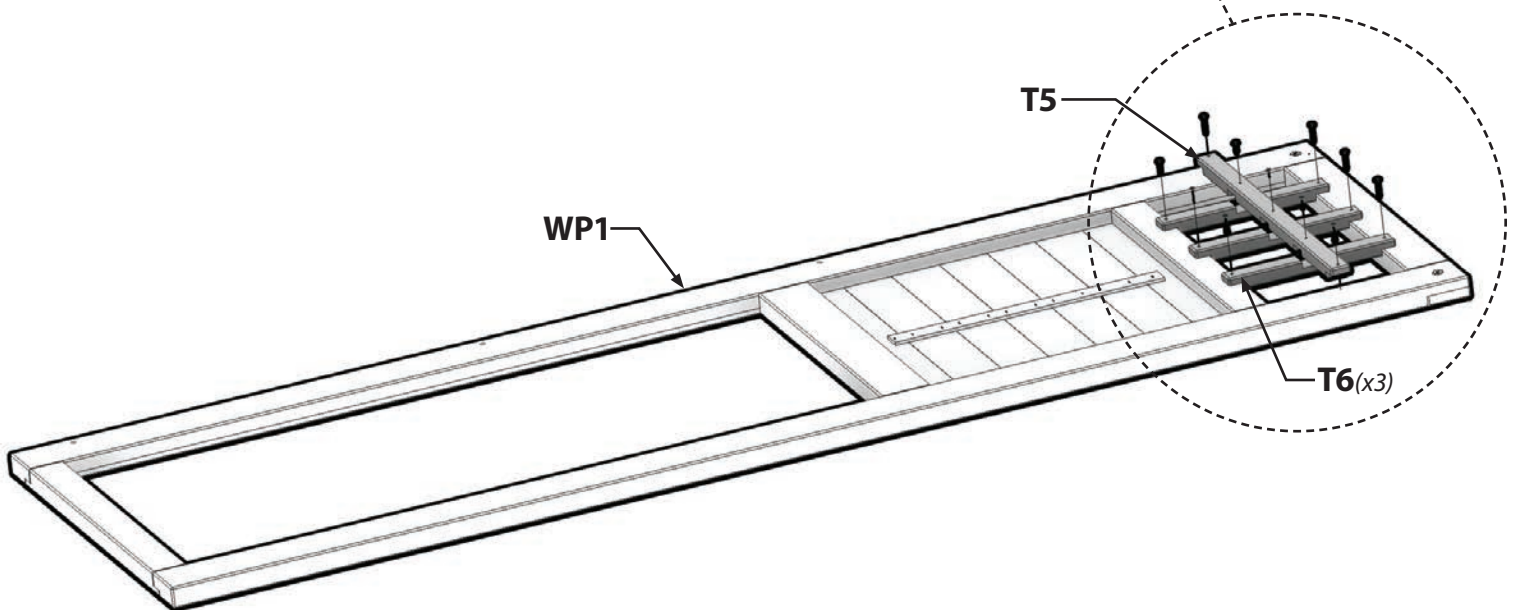
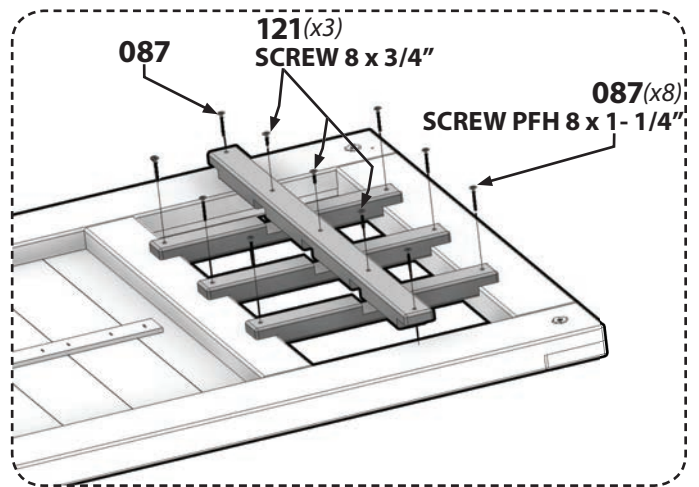


H100121 | SCREW PFH
(x3) | 8x3/4" - H100121



ASSEMBLY NOTE:

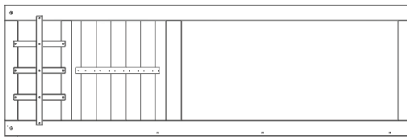
USE PILOT HOLES AS GUIDE.
USE 121(x3)SCREWS IN INTERIOR HOLES ON T5 BOARD.



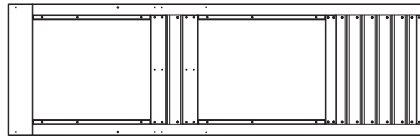


Phase 3

STEP 2



WP1 ASSEMBLY
(x1)



WP4 | WALL PANEL - W2A02770
(x1) 1-7/16" x 28-1/16" x 89-1/2" (36 x 712 x 2274)



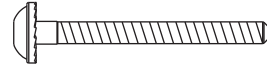
A4M00855 | LBRACKET 51X32X82X3.125
(x2) A4M00855



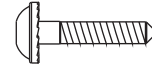
H100398 | T-NUT BLK
(x2) 1/4" - H100398



H100405 | WASHER LOCK EXT BLK
(x3) 6x15 - H100405



H100456 | LAG SCREW WH BLK
(x3) 1/4x2-1/2" - H100456

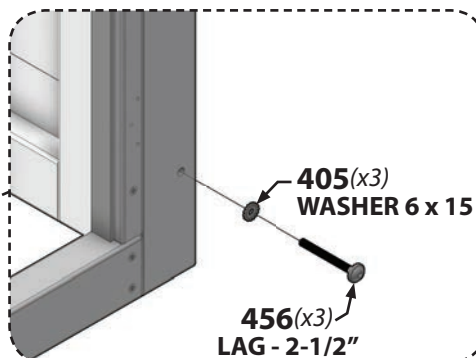
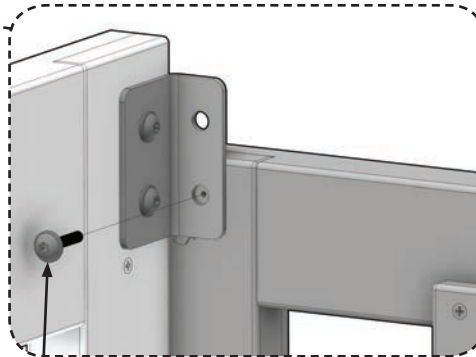
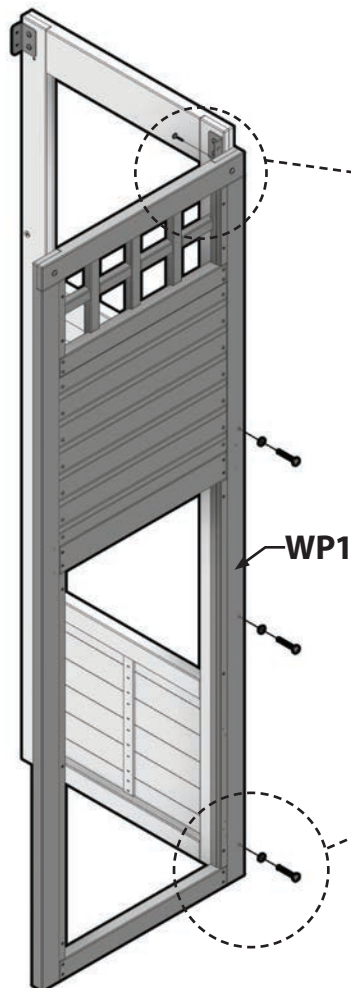
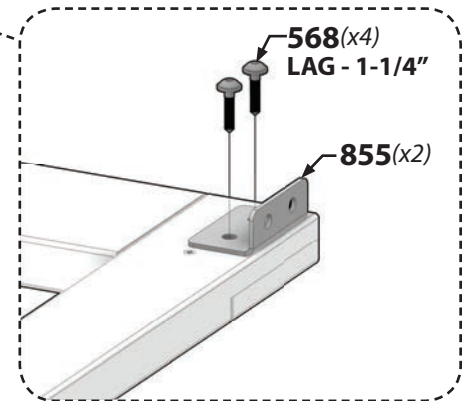
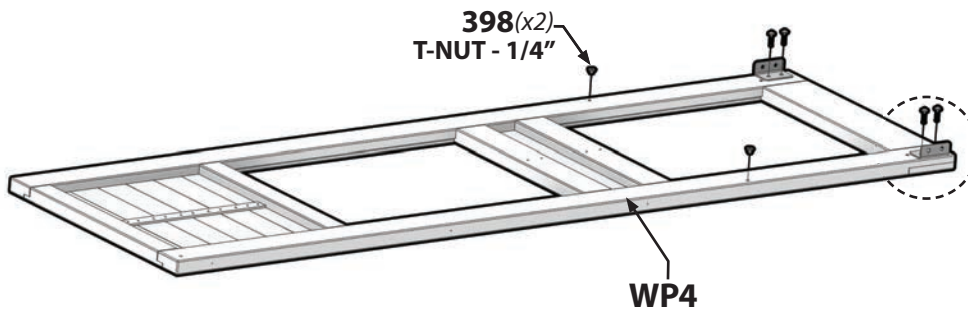
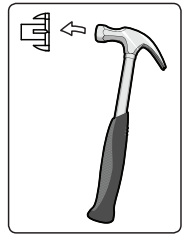


H100568 | LAG SCREW WH BLK
(x5) 1/4x1-1/4" - H100568



ASSEMBLY TIP:

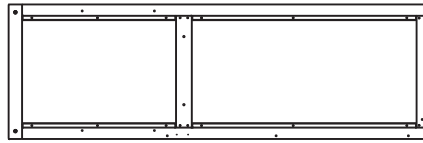
ASSEMBLE L-BRACKETS FIRST AND T-NUTS TO 'WP4'. ONLY FINGER TIGHTEN SCREWS AT THIS TIME.



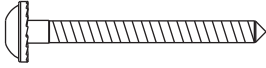


Phase 3

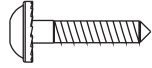
STEP 3



WP9 | WALL PANEL - W2A02776
(x1) | 1-7/16" x 28-1/16" x 87-3/16" (36 x 712 x 2214)



H100456 | LAG SCREW WH BLK
(x3) | 1/4x2-1/2 - H100456



H100568 | LAG SCREW WH BLK
(x1) | 1/4x1-1/4 - H100568

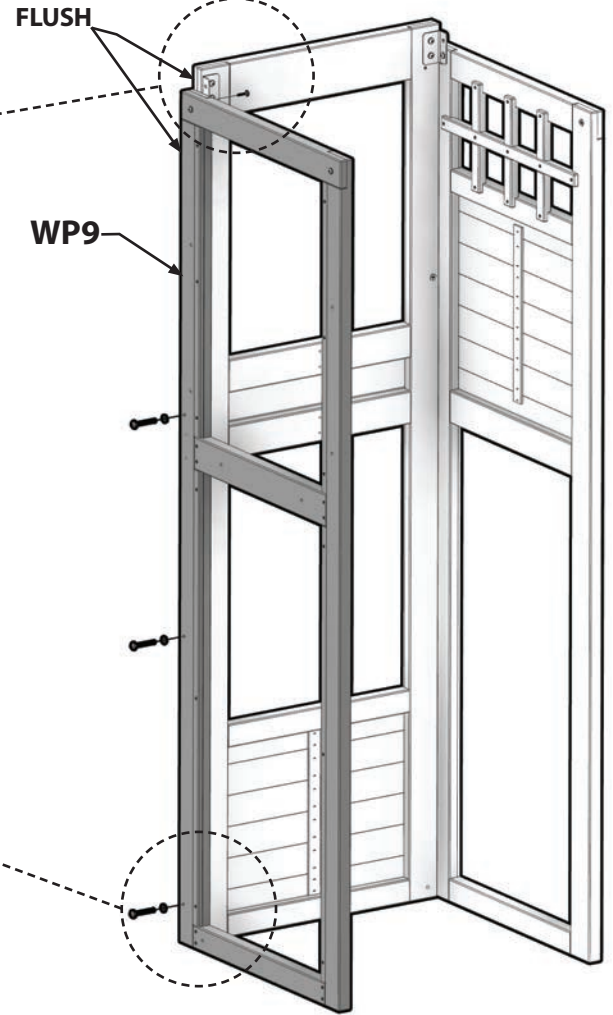
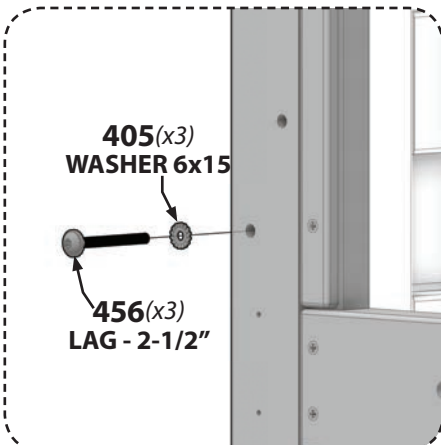
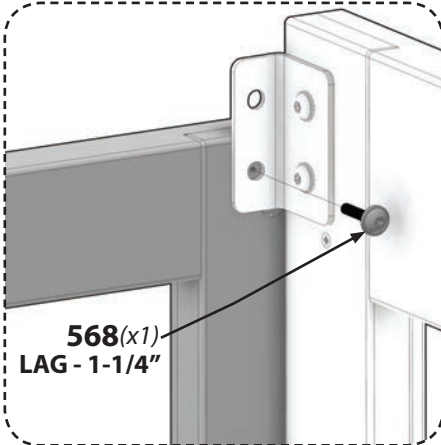
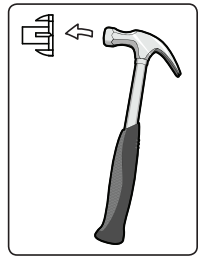
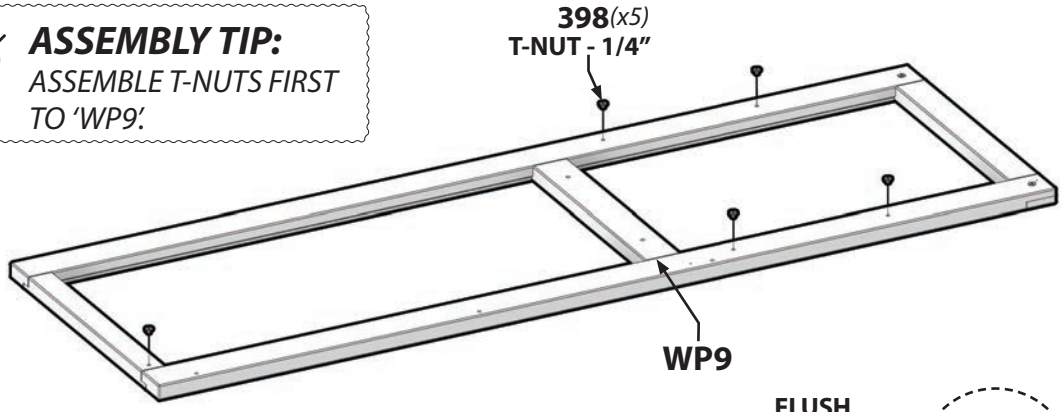


H100405 | WASHER LOCK EXT BLK
(x3) | 6x15 - H100405



H100398 | T-NUT BLK
(x5) | 1/4 - H100398

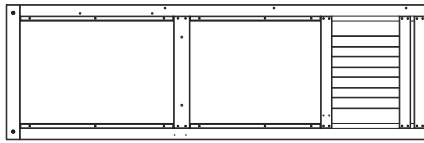
ASSEMBLY TIP:
ASSEMBLE T-NUTS FIRST
TO 'WP9'.





Phase 3

STEP 4



WP10 | WALL PANEL - W2A02783
(x1) | 1-9/16" x 28-1/16" x 87-3/16" (40 x 712 x 2214)

H14 | FLOOR BRACE - W4L12478
(x1) | 1" x 3-3/8" x 6-3/4" (24 x 86 x 170)

J9 | BRACE - W4L12479
(x1) | 1" x 2-3/8" x 30-1/8" (24 x 60 x 765)



A4M00995 | METAL CLEAT
(x1) | A4M00995



H100089 | SCREW PFH
(x10) | 8x1-3/4 - H100089

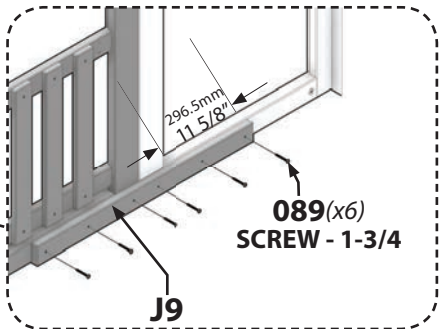
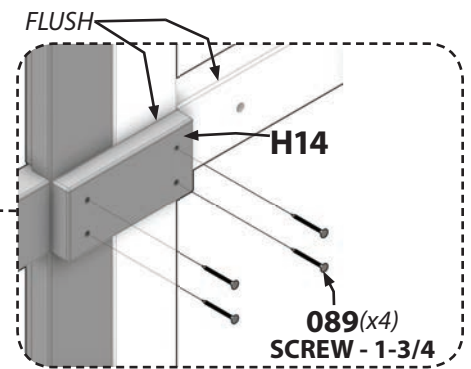
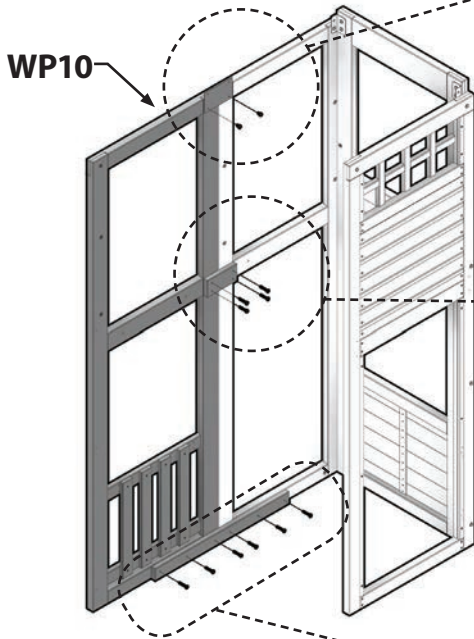
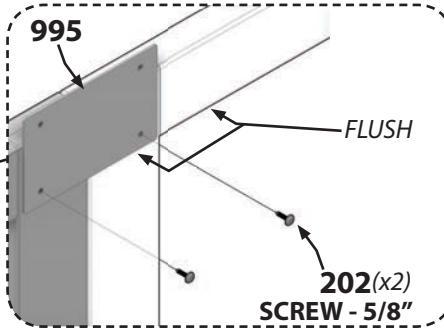
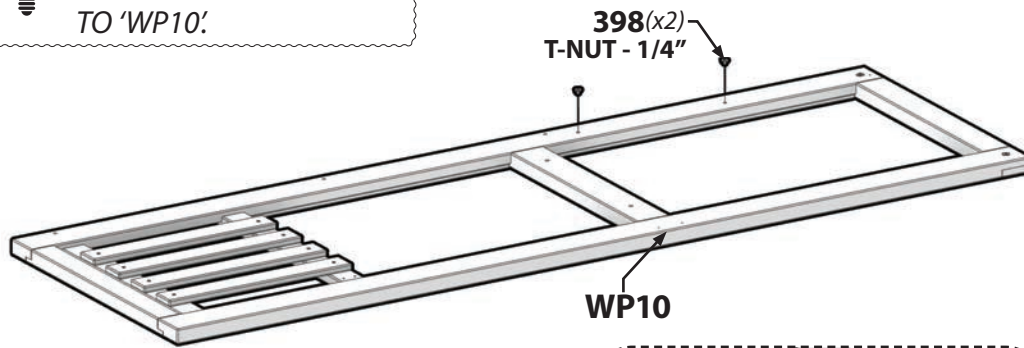
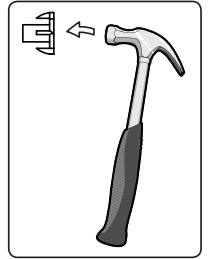


H100202 | SCREW PWH BLK
(x2) | 8x5/8 - H100202



H100398 | T-NUT BLK
(x2) | 1/4 - H100398

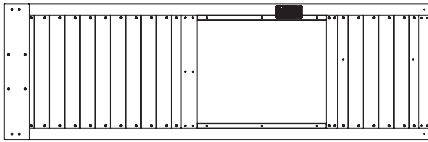
ASSEMBLY TIP:
ASSEMBLE T-NUTS FIRST
TO 'WP10'.



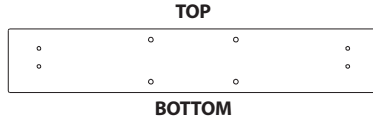


Phase 3

STEP 5



WP7 | WALL PANEL - W2A02774
(x1) 1-7/16" x 28-1/16" x 89-1/2" (36 x 712 x 2274)



G2 | RAIL - W4L12485
(x1) 1" x 5-1/4" x 30-7/8" (24 x 134 x 784)



A4M00855 | L BRACKET 51X32X82X3.125
(x2) A4M00855



H100379 | T-NUT BLK
(x4) 5/16 - H100379



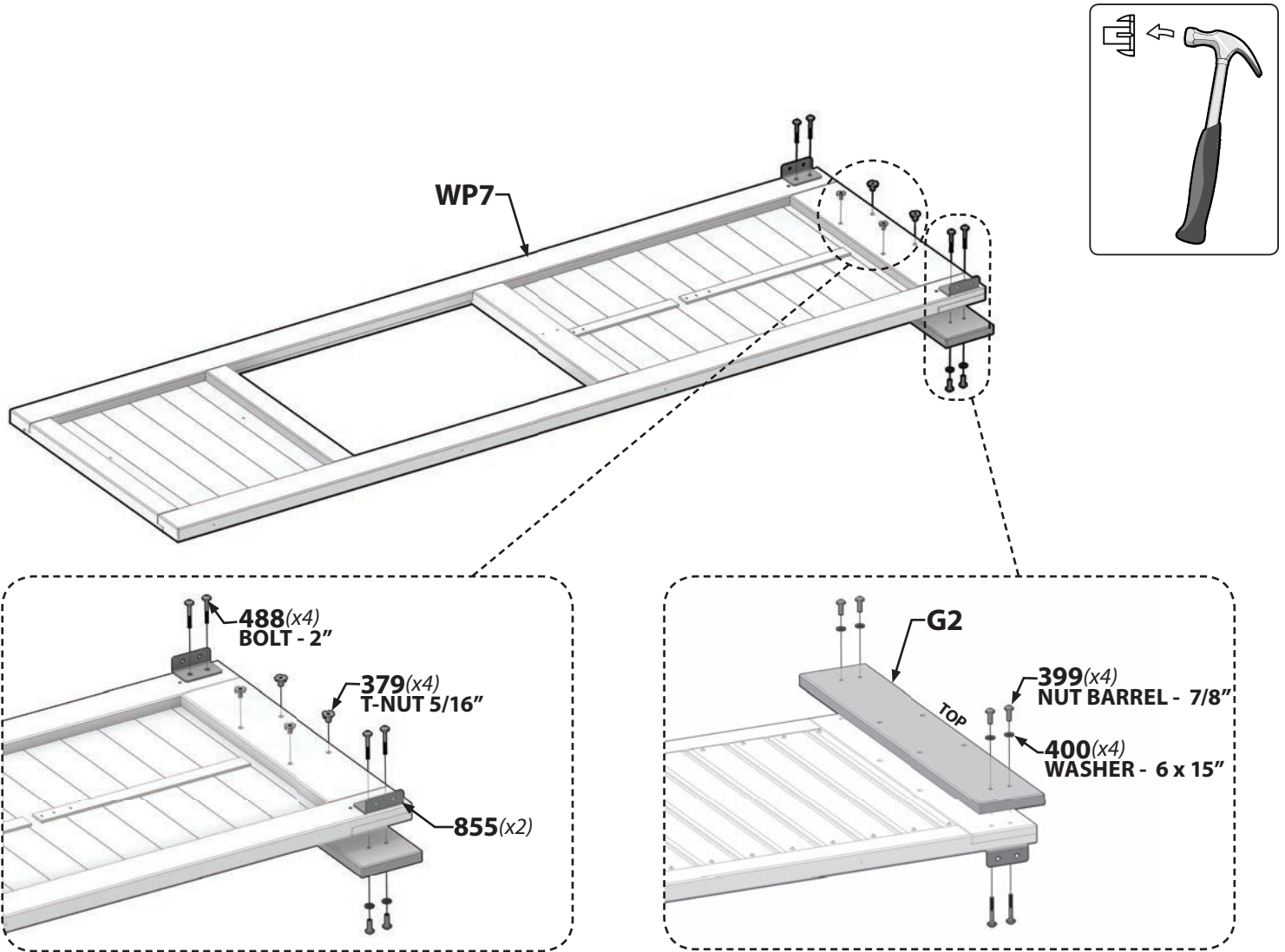
H100399 | NUT BARREL WH BLK
(x4) 1/4 x 7/8 - H100399



H100400 | WASHER LOCK EXT BLK
(x4) 8 x 15 - H100400

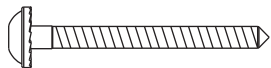


H100488 | BOLT WH BLK
(x4) 1/4 x 2 - H100488





WP7 | **WALL PANEL SUB-ASSEMBLY**
(x1) 1-7/16" x 28-1/16" x 89-1/2" (36 x 712 x 2274)



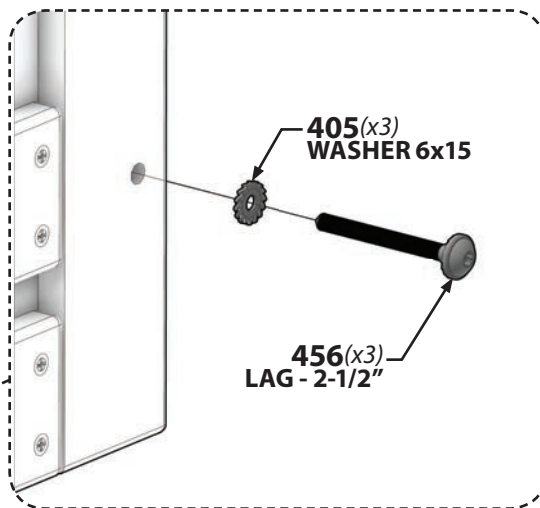
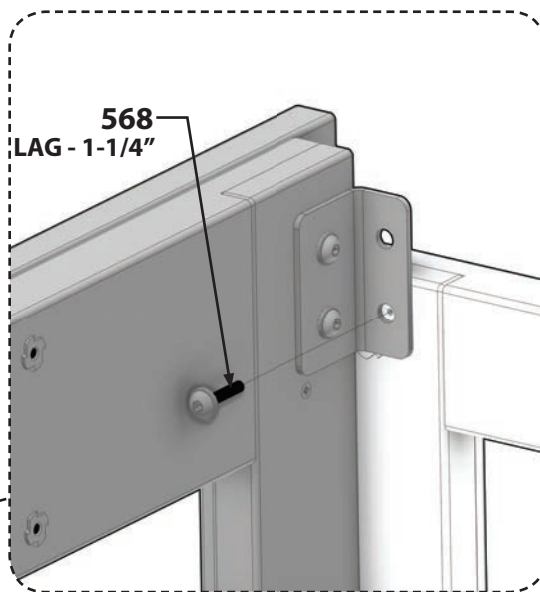
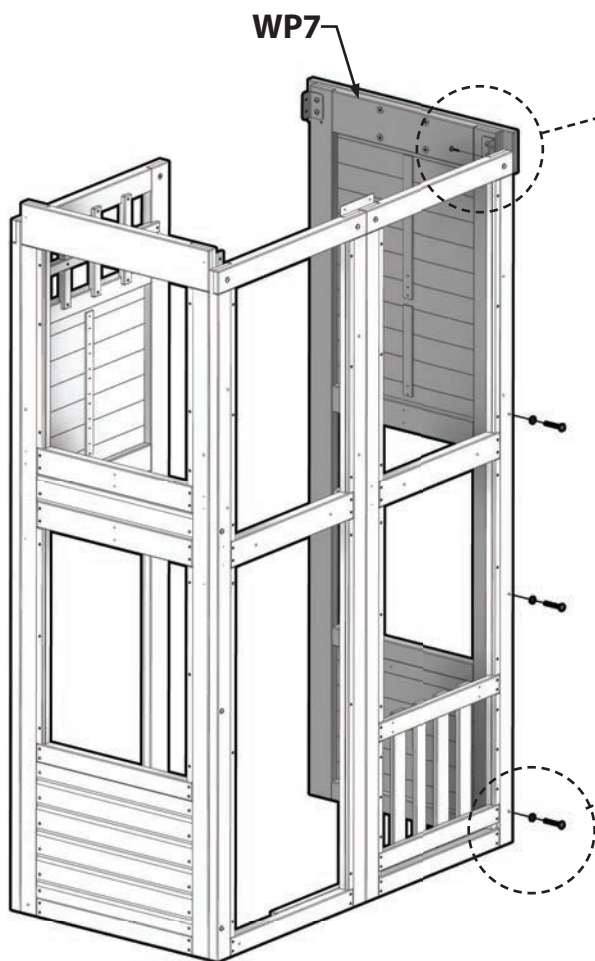
H100456 | **LAG SCREW WH BLK**
(x3) 1/4x2-1/2 - H100456



H100568 | **LAG SCREW WH BLK**
(x1) 1/4x1-1/4 - H100568

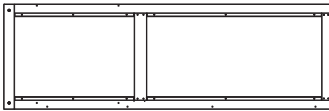


H100405 | **WASHER LOCK EXT BLK**
(x3) 6x15 - H100405



Phase 3

STEP 7



WP2 | WALL PANEL - W2A02768
(x1) 1-7/16" x 28-1/16" x 87-3/16" (36 x 712 x 2214)

H14 | FLOOR BRACE - W4L12478
(x1) 1" x 3-3/8" x 6-3/4" (24 x 86 x 170)

J9 | BRACE - W4L12479
(x1) 1" x 2-3/8" x 30-1/8" (24 x 60 x 765)

A4M00995 | METAL CLEAT
(x1) A4M00995

H100089 | SCREW PFH
(x10) 8x1-3/4 - H100089

H100405 | WASHER LOCK EXT BLK
(x3) 6x15 - H100405

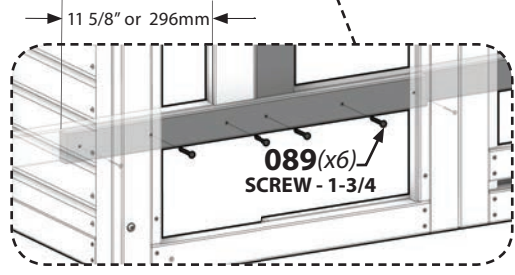
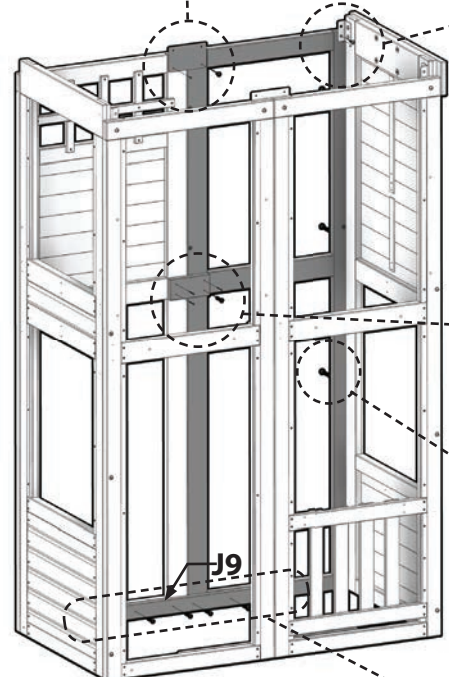
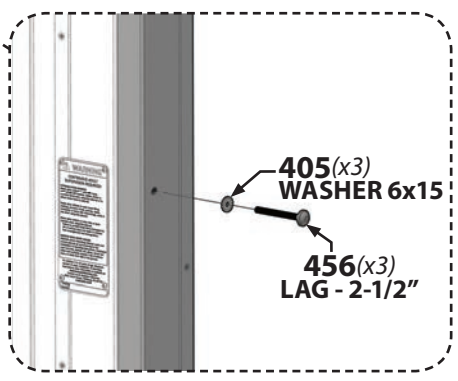
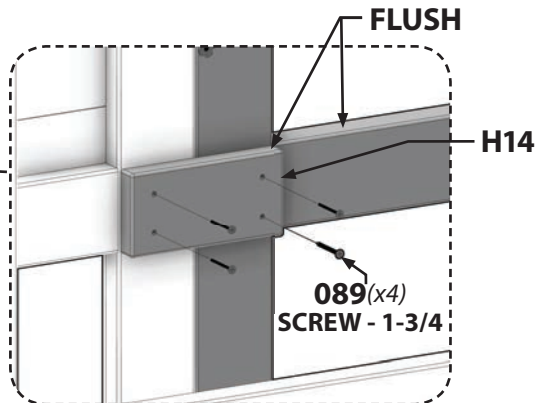
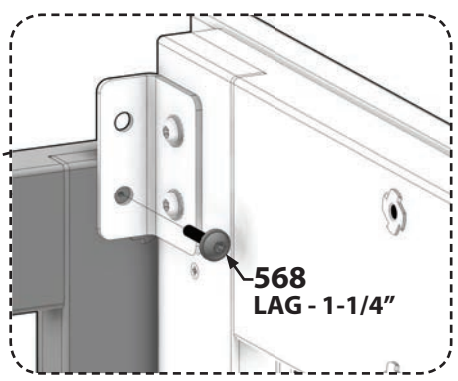
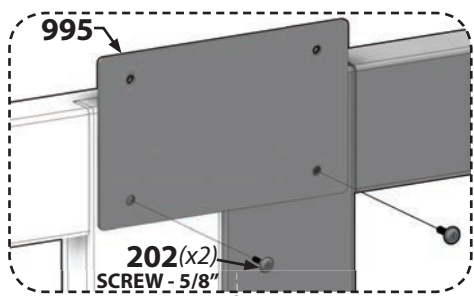
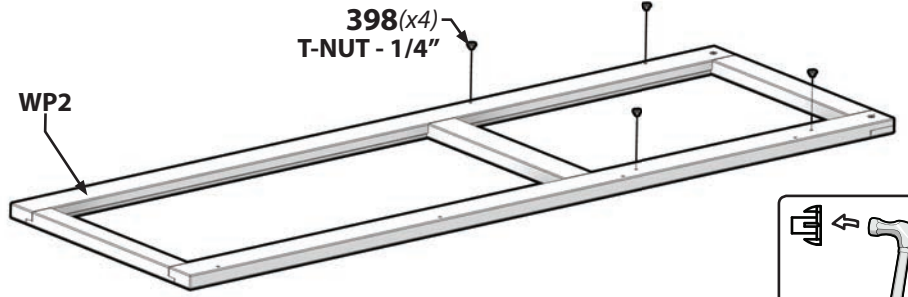
H100202 | SCREW PWH BLK
(x2) 8x5/8 - H100202

H100456 | LAG SCREW WH BLK
(x3) 1/4x2-1/2 - H100456

H100398 | T-NUT BLK
(x4) 1/4 - H100398

H100568 | LAG SCREW WH BLK
(x1) 1/4x1-1/4 - H100568

ASSEMBLY NOTE:
ASSEMBLE T-NUTS FIRST TO 'WP2'.
BE SURE TO TIGHTEN ALL PANEL
HARDWARE AT THIS TIME.



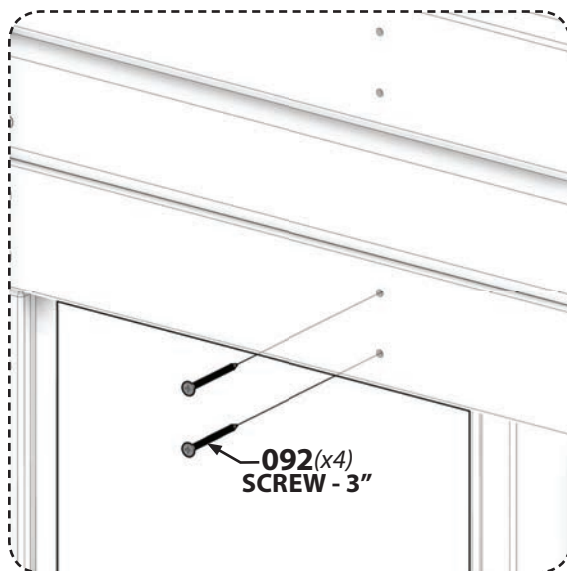
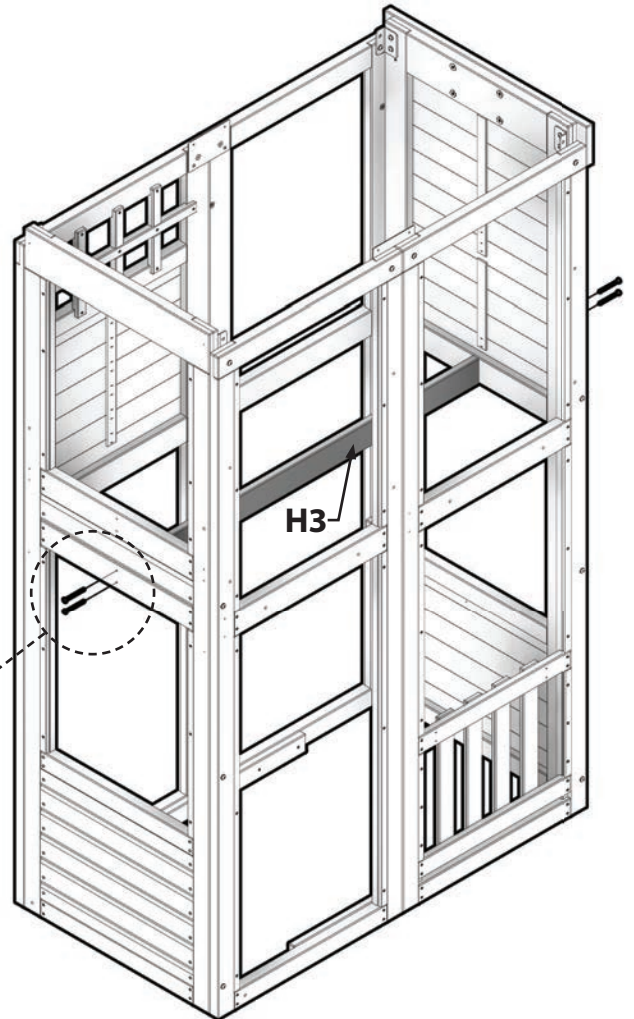


H3 | FLOOR JOIST - W4L12345
(x1) 1" x 3-3/8" x 53-1/4" (24x 86 x 1352)



H100092 | SCREW PFH
(x4) 8x3 - H100092

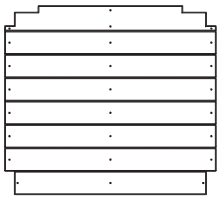
 **ASSEMBLY NOTE:**
USE PILOT HOLES AS GUIDE.



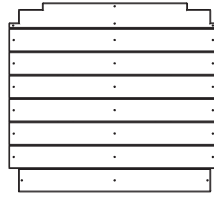


Phase 3

STEP 9



FP3 | FLOOR PANEL - W2A02779
(x1) | 1-1/4" x 27-3/4" x 30-7/8" (32 x 705 x 784)



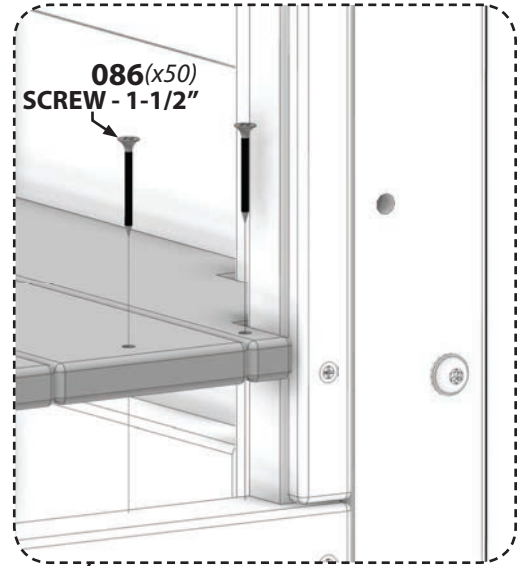
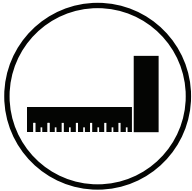
FP4 | FLOOR PANEL - W2A02780
(x1) | 1-1/4" x 27-1/2" x 30-3/8" (32 x 699 x 772)



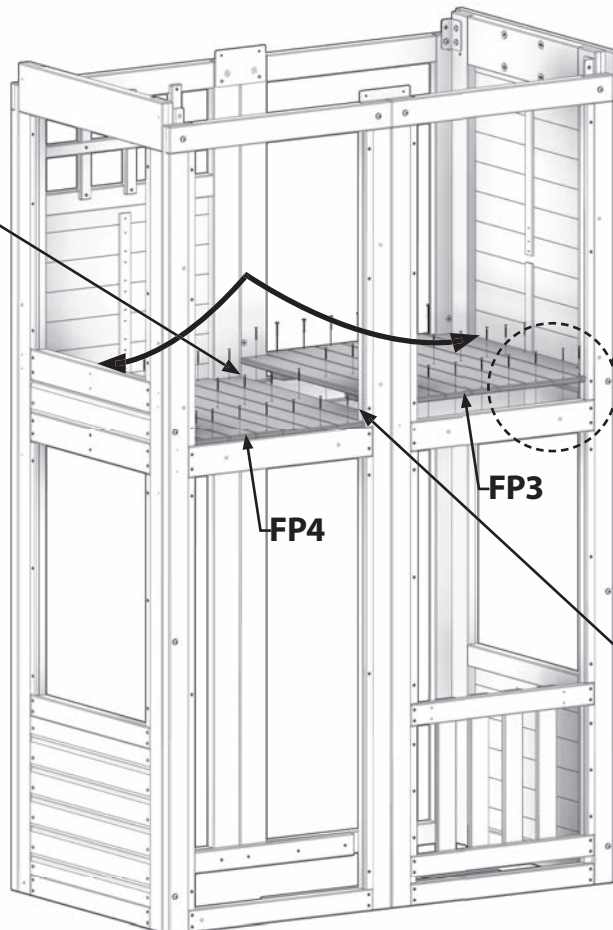
H100086 | SCREW PFH
(x50) | 8x1-1/2 - H100086



ASSEMBLY NOTE:
USE PILOT HOLES AS GUIDE.
NOTE PANEL ORIENTATION.



PUSH TOGETHER



ASSEMBLY TIP:
POSITION 'FP3' AND 'FP4' PANELS
AT A 45 DEGREE ANGLE THEN
PUSH DOWN INTO PLACE.

PUSH TOGETHER



Phase 3

STEP 10



ROCKWALL ASSEMBLY

M74 | ROCK BOARD - W4L11757
(x1) | 5/8" x 3-3/8" x 31-1/4" (16 x 86 x 794)

M76 | ROCK BOARD SUB-ASSEMBLY - W4L11759
(x1) | 5/8" x 3-3/8" x 31-1/4" (16 x 86 x 794)

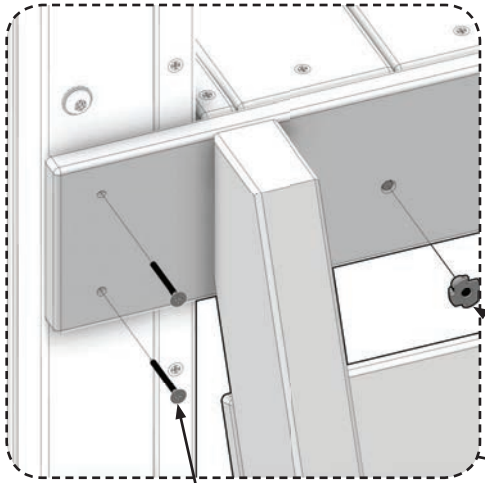
H100086 | SCREW PFH
(x8) | 8x1-1/2 - H100086

H100200 | SCREW PFH BLK
(x2) | 8x1-1/2 - H100200

H100398 | T-NUT BLK
(x4) | 1/4 - H100398

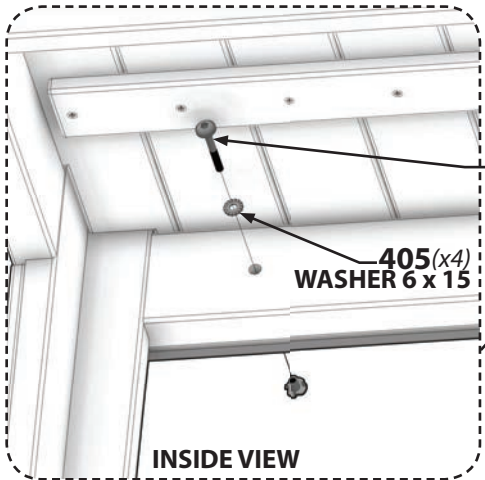
H100405 | WASHER LOCK EXT BLK
(x4) | 6x15 - H100405

H100488 | BOLT WH BLK
(x4) | 1/4x2 - H100488



398(x4)
T-NUT - 1/4"

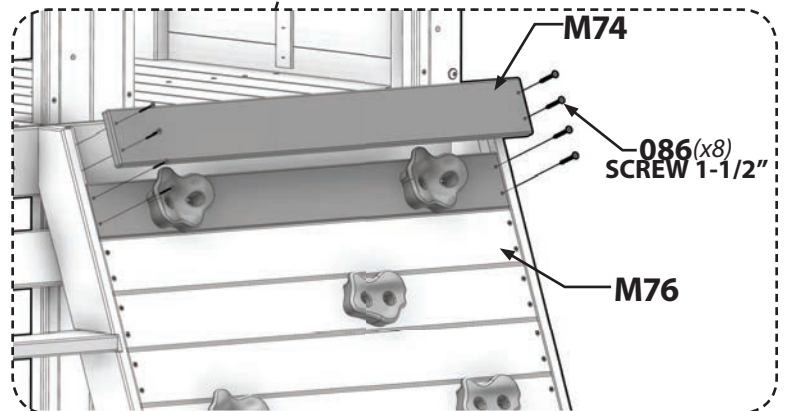
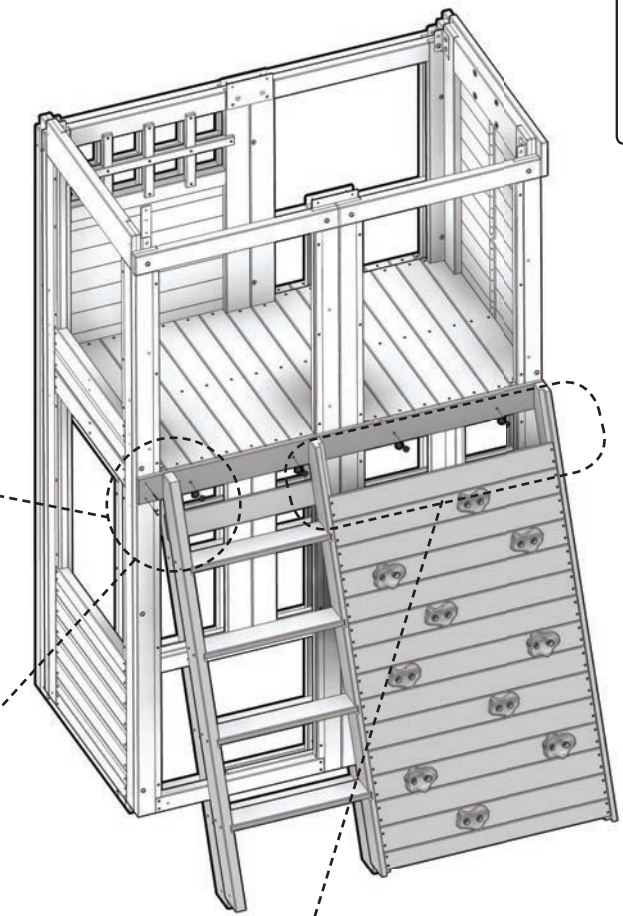
200(x2)
SCREW - 1-1/2



488(x4)
BOLT - 2"

405(x4)
WASHER 6 x 15

INSIDE VIEW

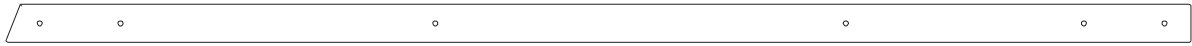


M74

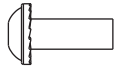
086(x8)
SCREW 1-1/2"

M76

ASSEMBLY NOTE:
PLACE 'M74' & 'M76' ROCK BOARDS FROM PHASE 2 - STEP 3 TO FINISH ASSEMBLY OF ROCK WALL.



F4 | **GROUND BOARD - W4L12487**
 (x1) | 1-3/8" x 2-3/8" x 74-1/8" (36 x 60 x 1883)



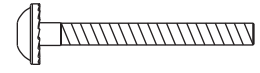
H100399 | **NUT BARREL WH BLK**
 (x1) | 1/4 x 7/8 - H100399



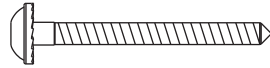
H100400 | **WASHER LOCK EXT BLK**
 (x1) | 8 x 15 - H100400



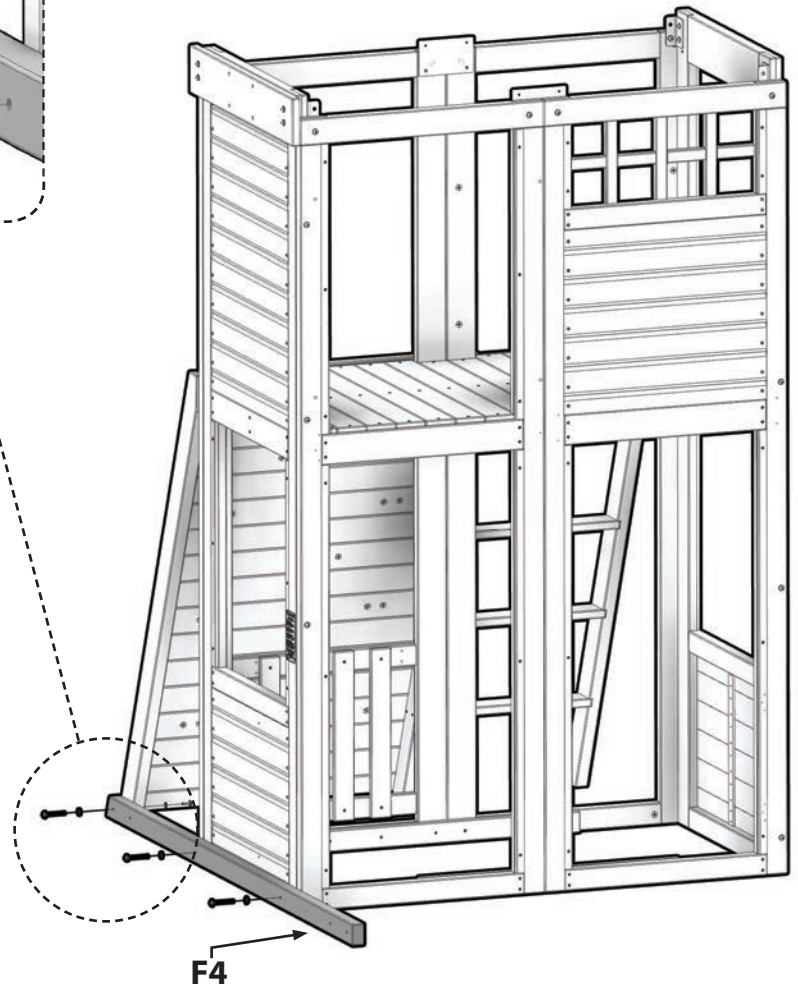
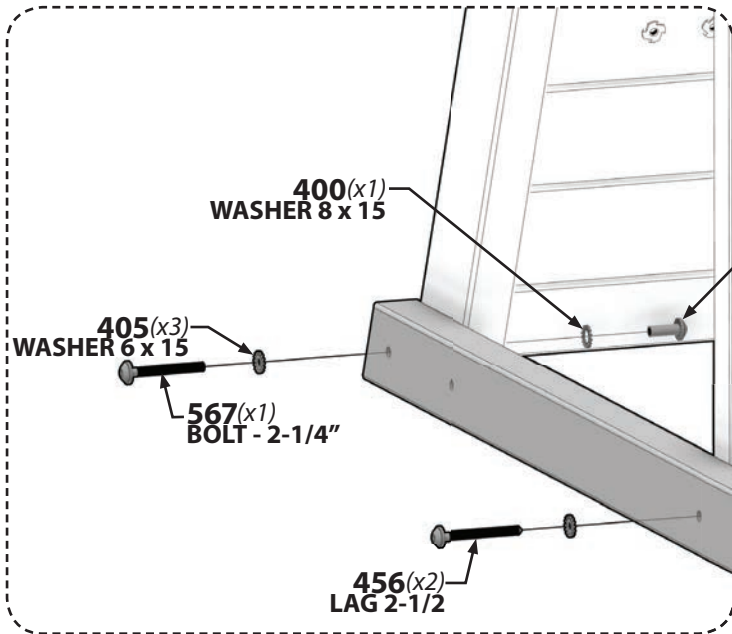
H100405 | **WASHER LOCK EXT BLK**
 (x3) | 6 x 15 - H100405



H100567 | **BOLT WH BLK**
 (x1) | 1/4 x 2-1/4 - H100567



H100456 | **LAG SCREW WH BLK**
 (x2) | 1/4 x 2-1/2 - H100456





Phase 3

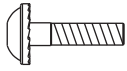
STEP 12



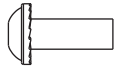
F5 | **GROUND BOARD - W4L12488**
(x1) 1-3/8" x 2-3/8" x 24-1/4" (36 x 60 x 617)



A4M00710 | **L BRACKET BLACK 32X51**
(x1) A4M00710



H100171 | **BOLT WH BLK**
(x1) 1/4x1 - H100171



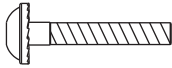
H100399 | **NUT BARREL WH BLK**
(x2) 1/4x7/8 - H100399



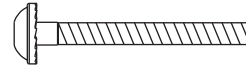
H100400 | **WASHER LOCK EXT BLK**
(x2) 8x15 - H100400



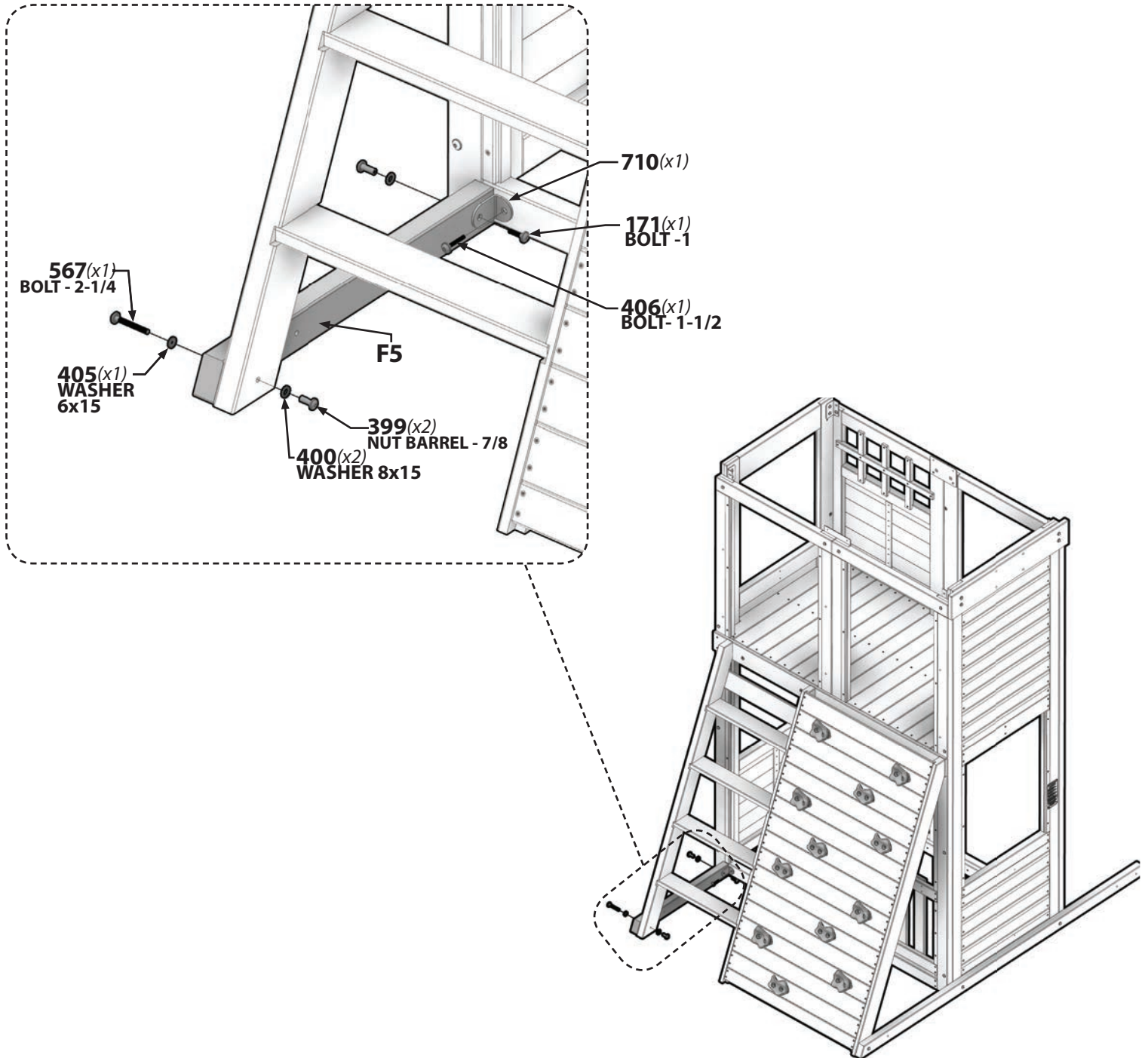
H100405 | **WASHER LOCK EXT BLK**
(x1) 6x15 - H100405

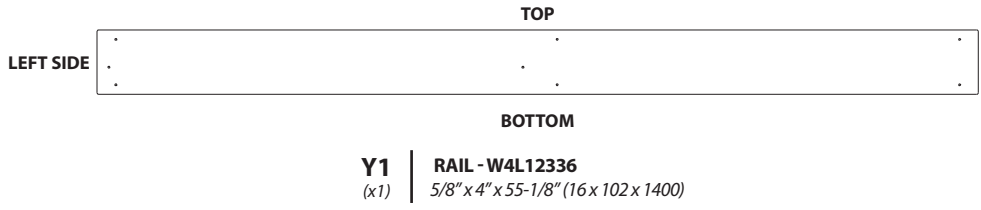


H100406 | **BOLT WH BLK**
(x1) 1/4x1-1/2 - H100406



H100567 | **BOLT WH BLK**
(x1) 1/4x2-1/4 - H100567



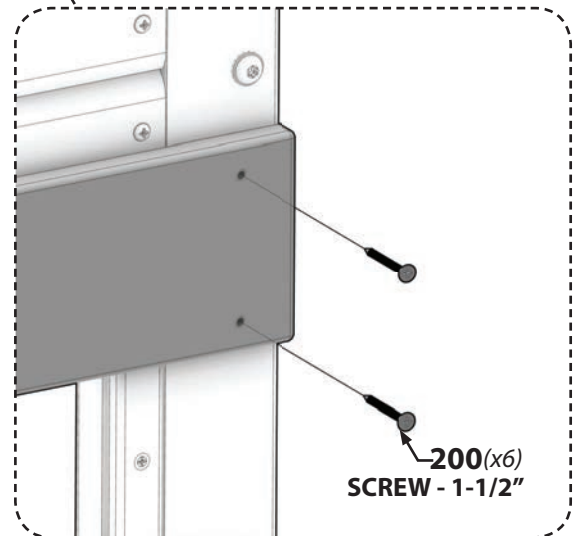
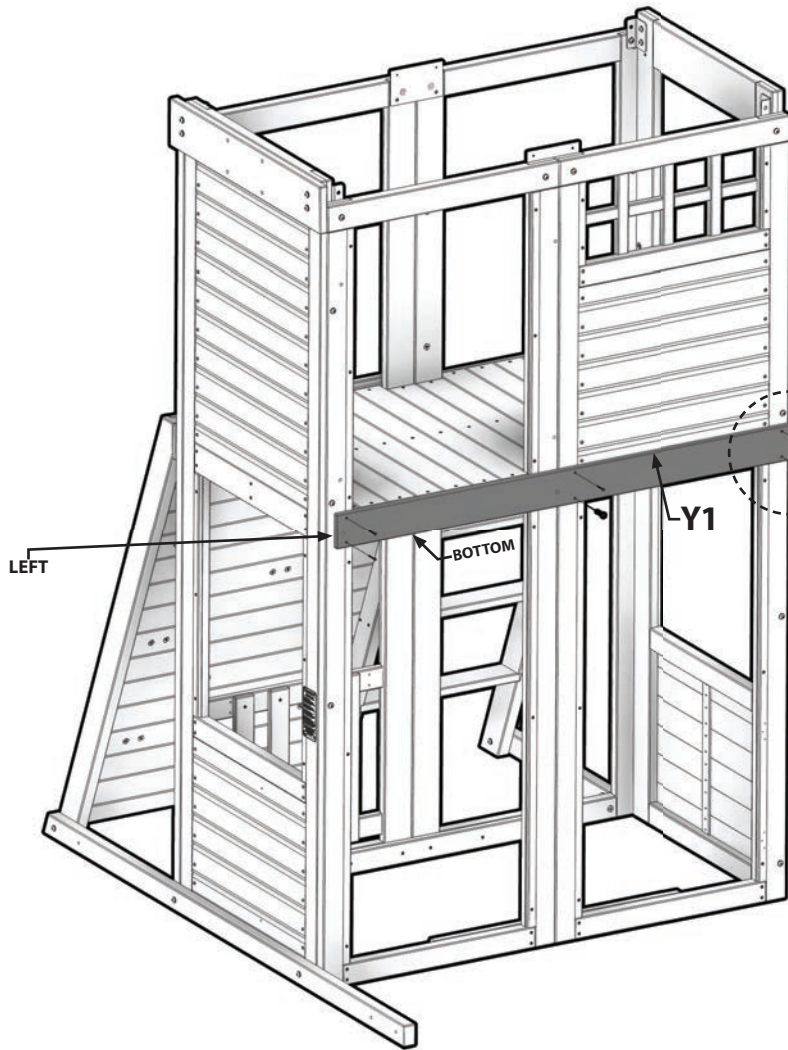


H100200 | **SCREW PFH BLK**
(x6) | 8x1-1/2 - H100200



ASSEMBLY NOTE:

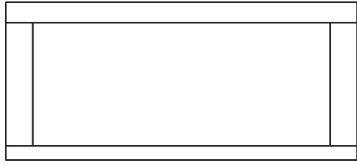
USE PILOT HOLES AS GUIDE.
NOTE BOARD ORIENTATION.



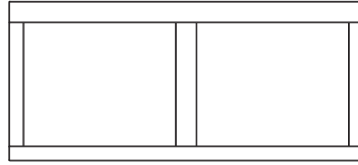


Phase 4

STEP 1



WP3 | FRONT WINDOW FRAME - W2A02769
(x1) 1-7/16" x 25-3/16" x 56-1/16" (36 x 640 x 1424)



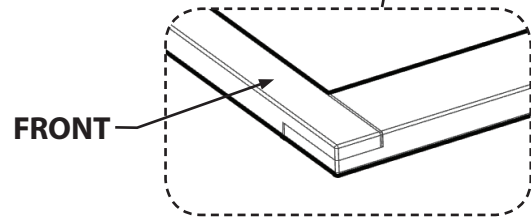
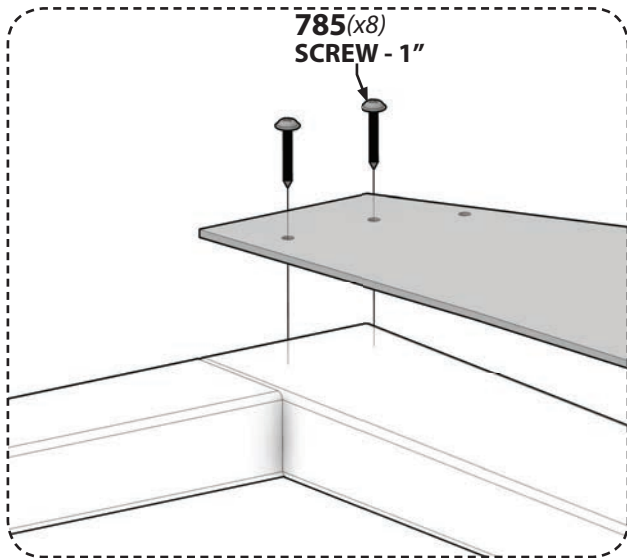
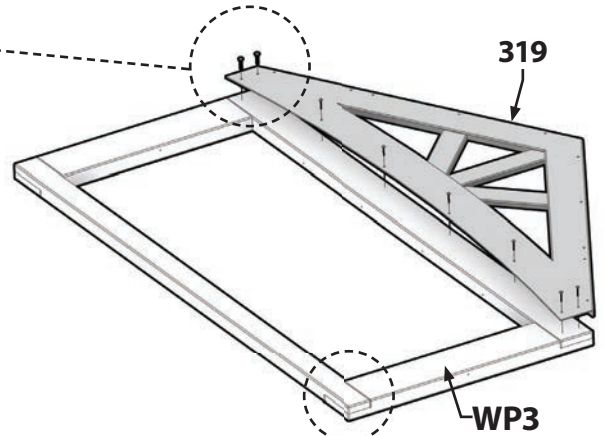
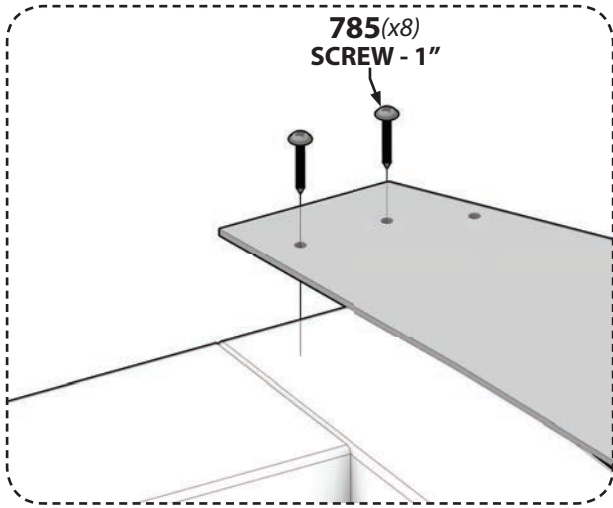
WP6 | REAR WINDOW FRAME - W2A02772
(x1) 1-7/16" x 25-3/16" x 56-1/16" (36 x 640 x 1424)



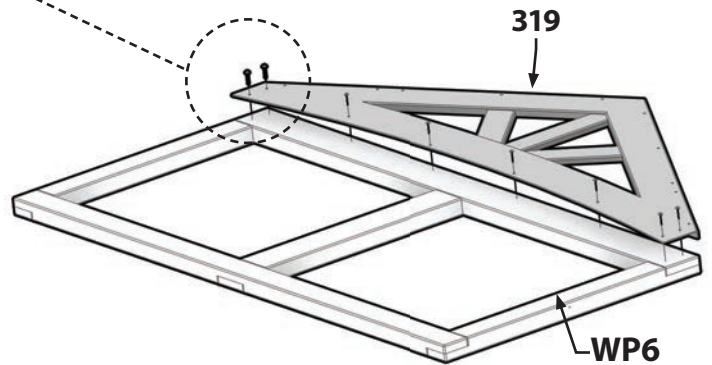
A6P00319 | ARCHED GABLE
(x2) A6P00319



H100785 | SCREW PWH
(x16) 8x1 - H100785

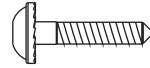


ASSEMBLY TIP:
NOTE OVERLAP OF BOARDS TO DETERMINE THE FRONT OF BOTH PANELS.

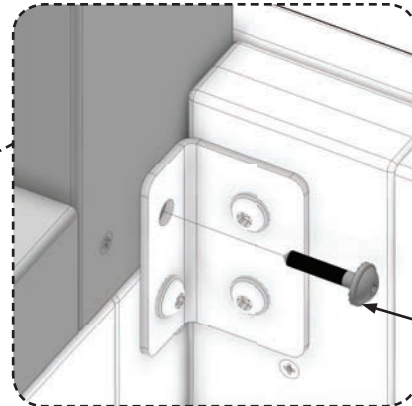
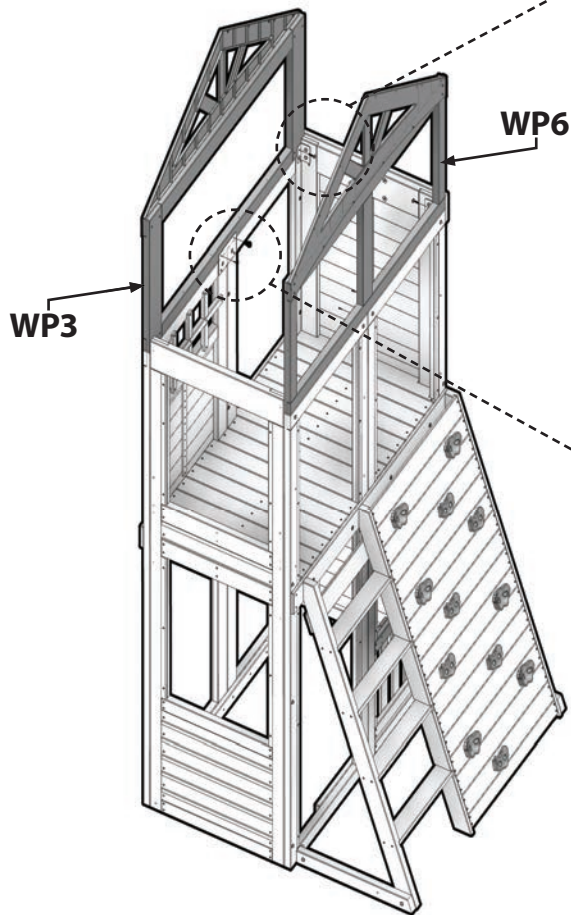




H100202 | **SCREW PWH BLK**
(x4) | 8x5/8 - H100202



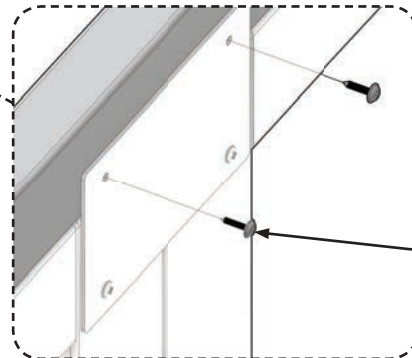
H100568 | **LAG SCREW WH BLK**
(x4) | 1/4x1-1/4 - H100568



568(x4)
SCREW - 1-1/4"



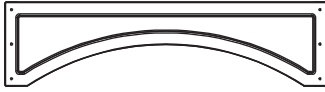
ASSEMBLY NOTE:
REPEAT THIS STEP AT EACH INSIDE CORNER.



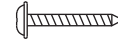
202(x4)
SCREW - 5/8"



ASSEMBLY NOTE:
REPEAT THIS STEP ON OPPOSITE SIDE.



A6P00320 | **ARCHED SIDE**
(x2) | A6P00320

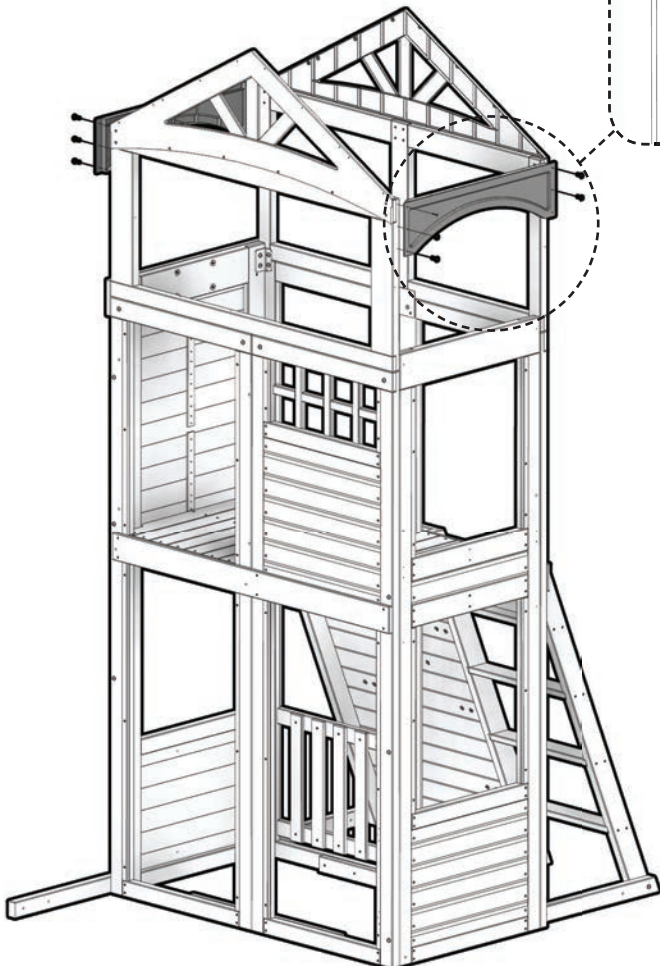
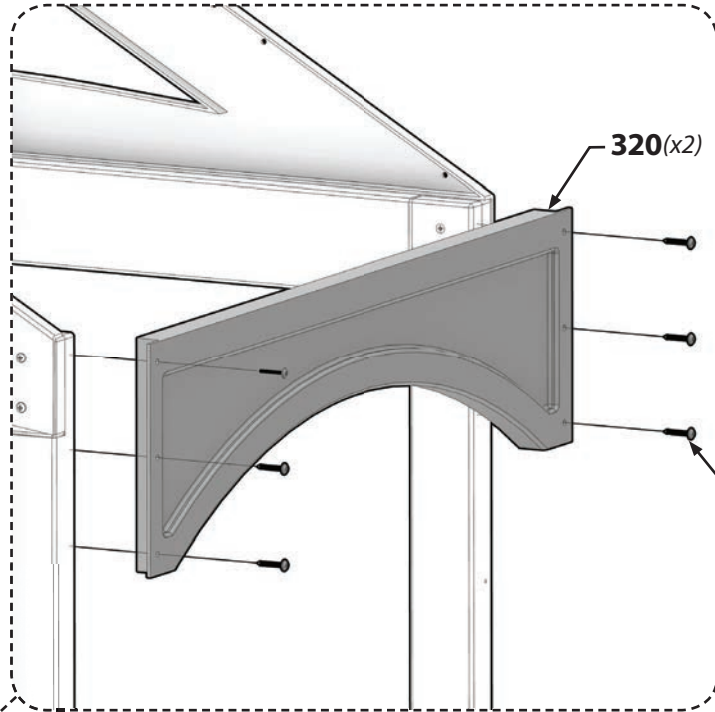


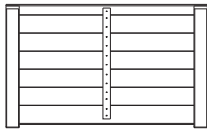
H100785 | **SCREW PWH**
(x12) | 8x1-H100785



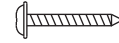
ASSEMBLY NOTE:

REPEAT THIS STEP ON OPPOSITE SIDE.





RP1 | **ROOF PANEL - W2A02781**
(x2) | 1-3/8" x 21-7/8" x 35-13/16" (35 x 556 x 910)

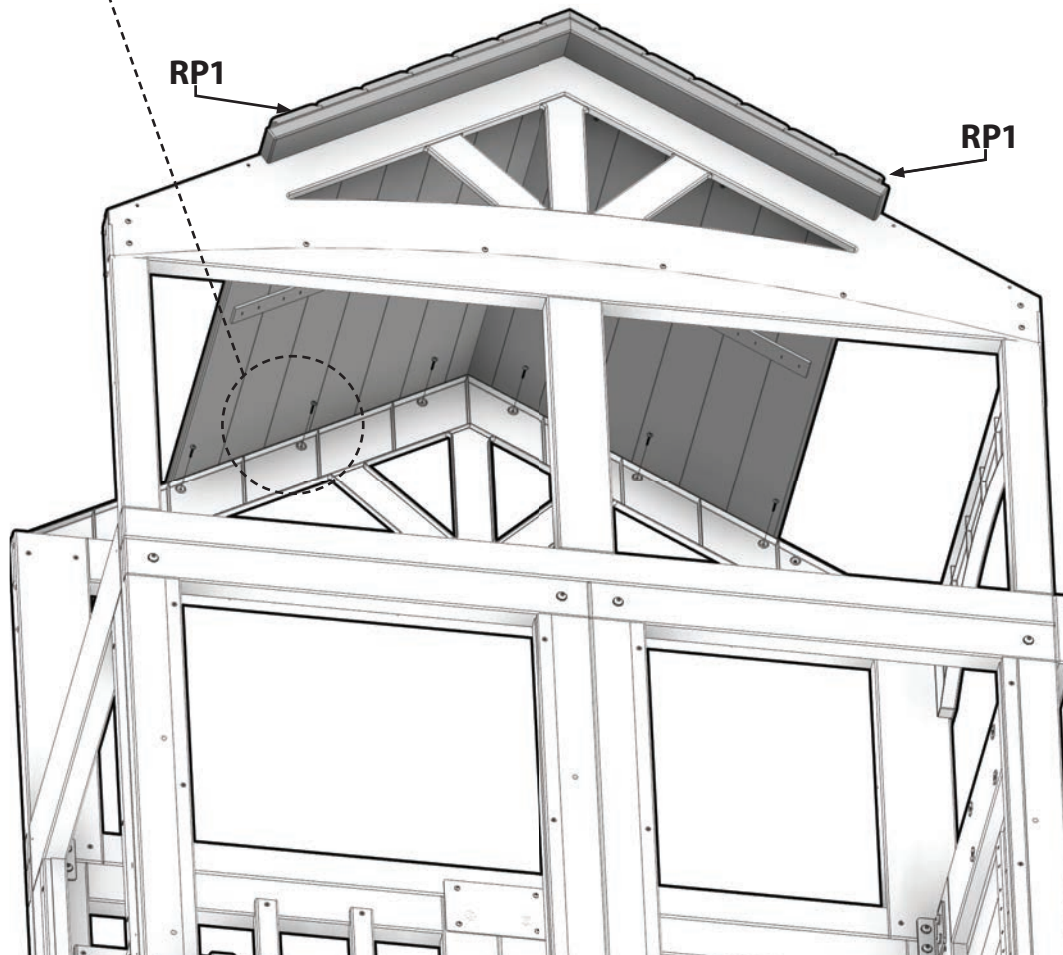
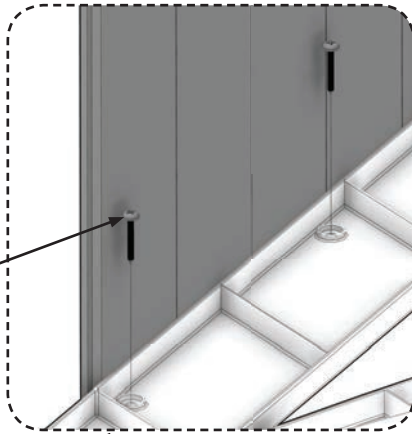


H100785 | **SCREW PWH**
(x12) | 8 x 1 - H100785



ASSEMBLY NOTE:
FASTEN ROOF PANEL WITH SCREWS ON BOTH SIDE.

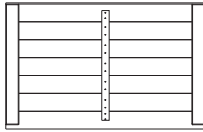
785(x12)
SCREW - 1"



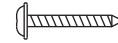


Phase 4

STEP 5



RP2 | **ROOF PANEL - W2A02782**
(x2) | 1-3/8" x 22-5/8" x 35-13/16" (35 x 575 x 910)

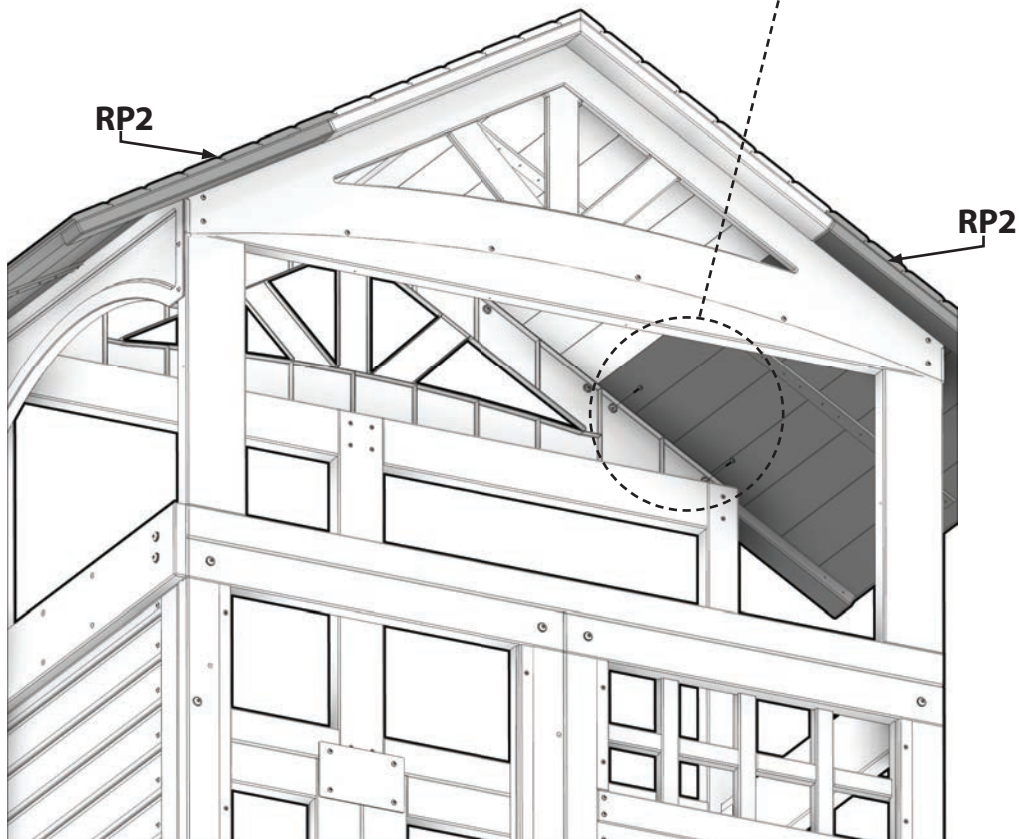
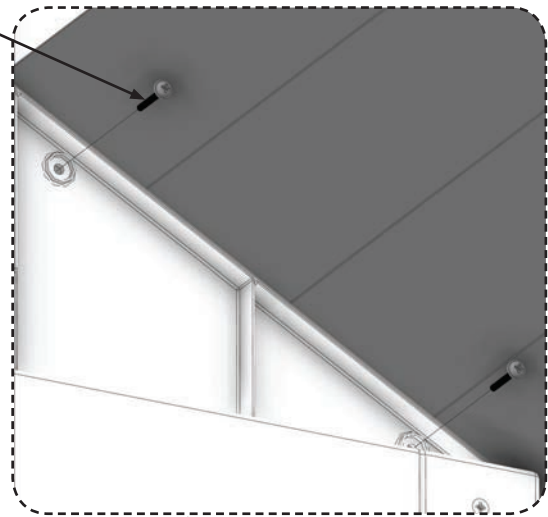


H100785 | **SCREW PWH**
(x8) | 8x1 - H100785



ASSEMBLY NOTE:
FASTEN ROOF PANEL WITH SCREWS ON BOTH SIDE.

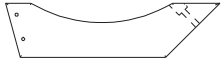
785(x8)
SCREW - 1"



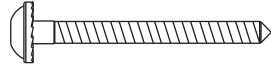


Phase 4

STEP 6



H10 | ANGLE BRACE - W4L12333
(x4) | 1" x 3-3/8" x 13-3/8" (24 x 86 x 340)



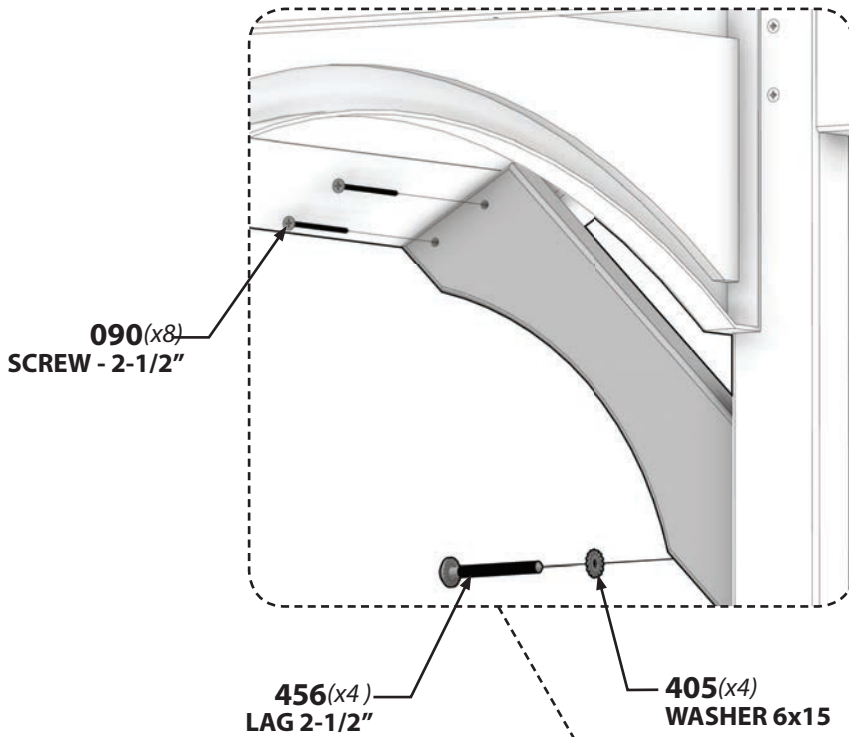
H100456 | LAG SCREW WH BLK
(x4) | 1/4 x 2-1/2 - H100456




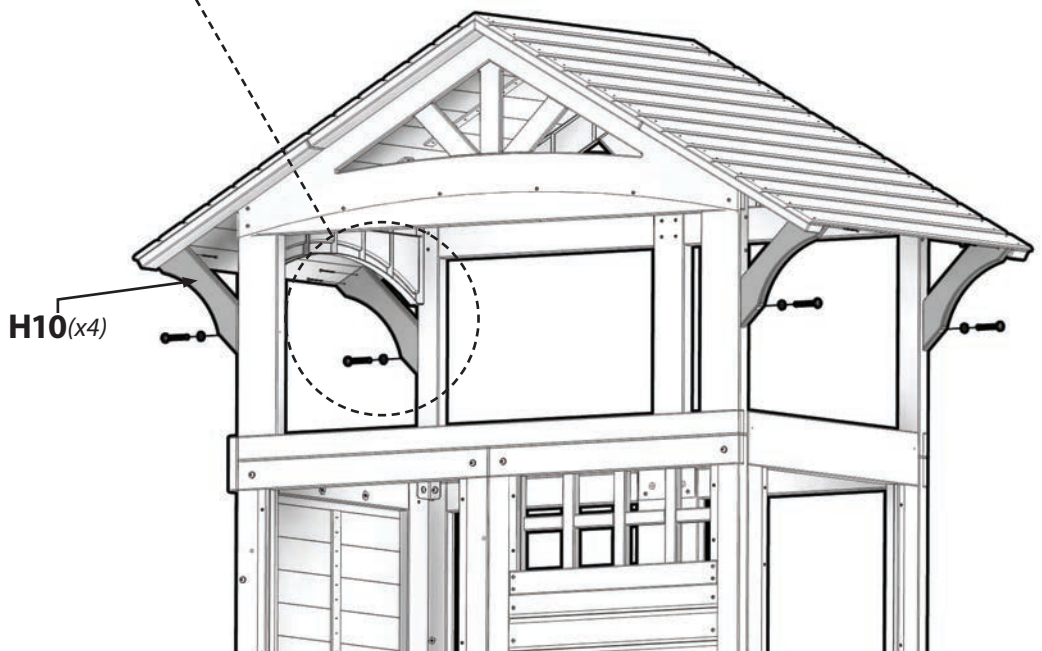
H100405 | WASHER LOCK EXT BLK
(x4) | 6 x 15 - H100405



H100090 | SCREW PFH
(x8) | 8 x 2-1/2 - H100090



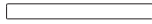
 **ASSEMBLY NOTE:**
REPEAT PROCESS 3 MORE TIMES TO FASTEN ANGLE BRACES.



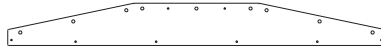


Phase 4

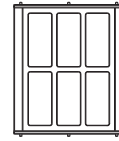
STEP 7



J1
(x2) | **BAY WINDOW SIDE - W4L12333**
1" x 1-7/8" x 18-1/4" (24 x 48 x 464)



K1
(x2) | **BAY WINDOW HEADER - W4L12332**
5/8" x 5-1/4" x 7-1/4" (16 x 134 x 1199)



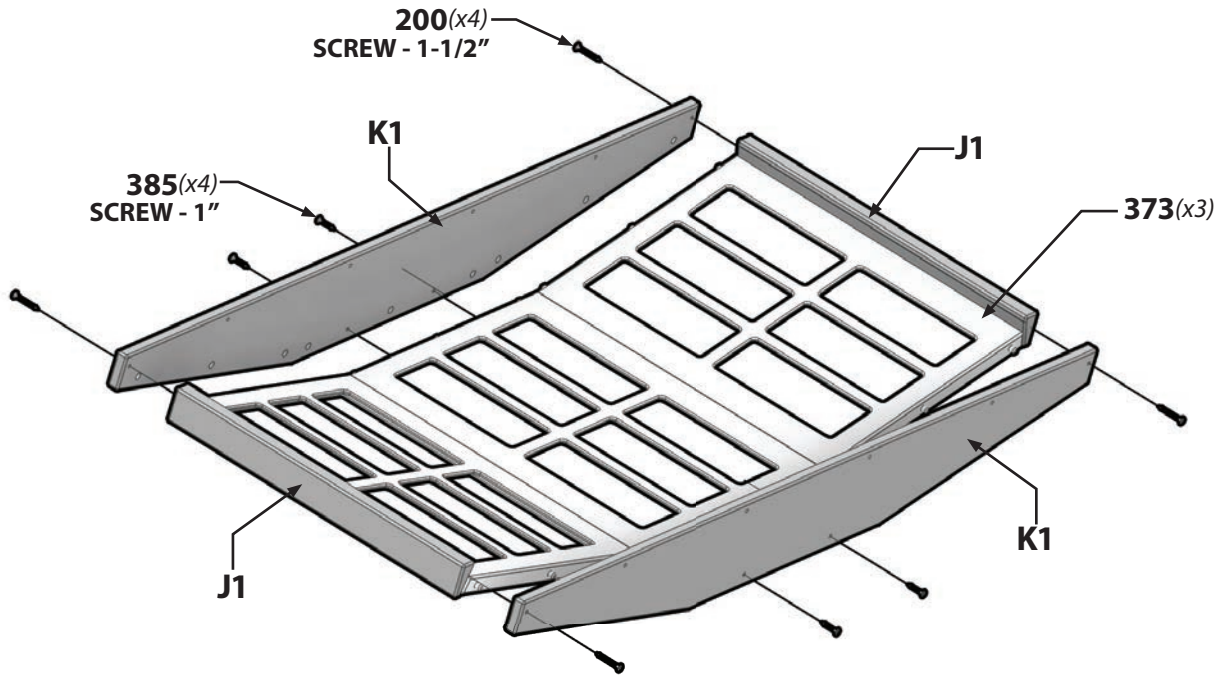
A100373
(x3) | **BAY WINDOW PANEL**
A100373



H100200
(x4) | **SCREW PFH BLK**
8x1-1/2 - H100200



H100385
(x4) | **SCREW PFH BLK**
8x1 - H100385



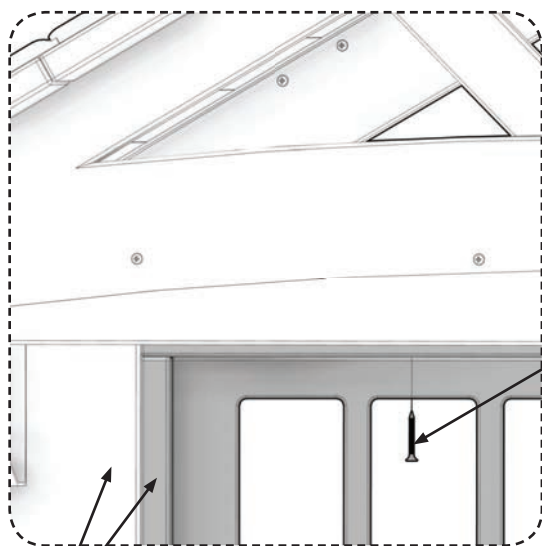


BAY WINDOW ASSEMBLY



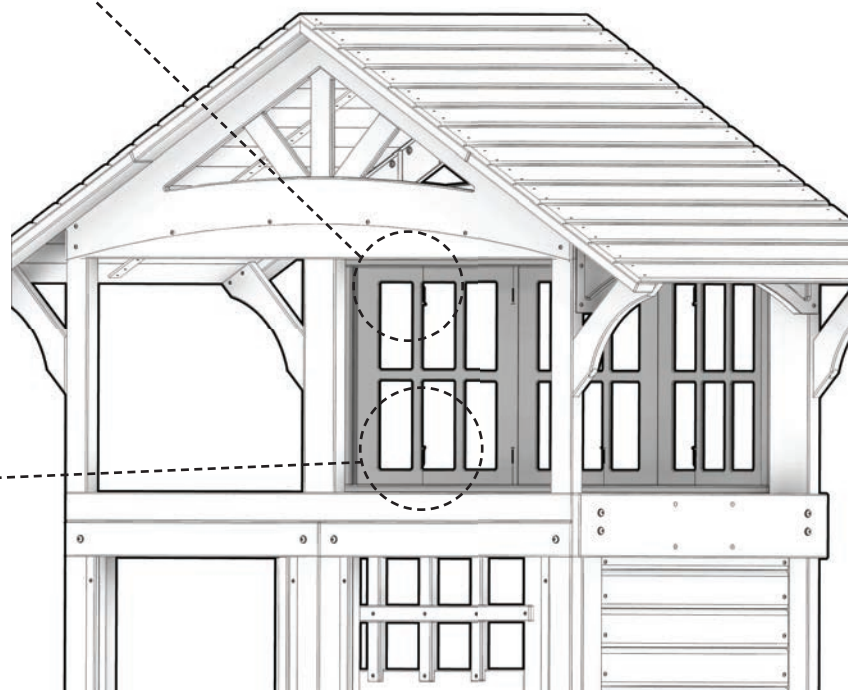
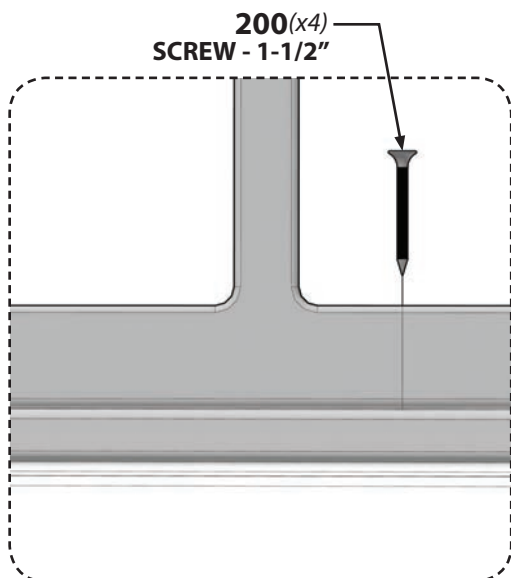
H100200
(x8)

SCREW PFH BLK
8x1-1/2 - H100200



200(x4)
SCREW - 1-1/2"

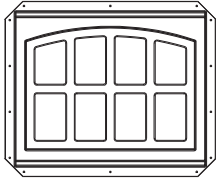
FLUSH



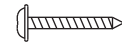


Phase 4

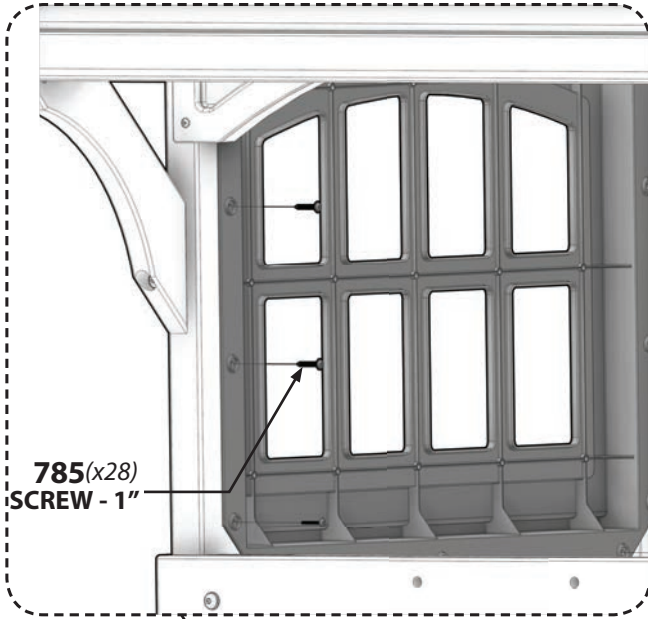
STEP 9



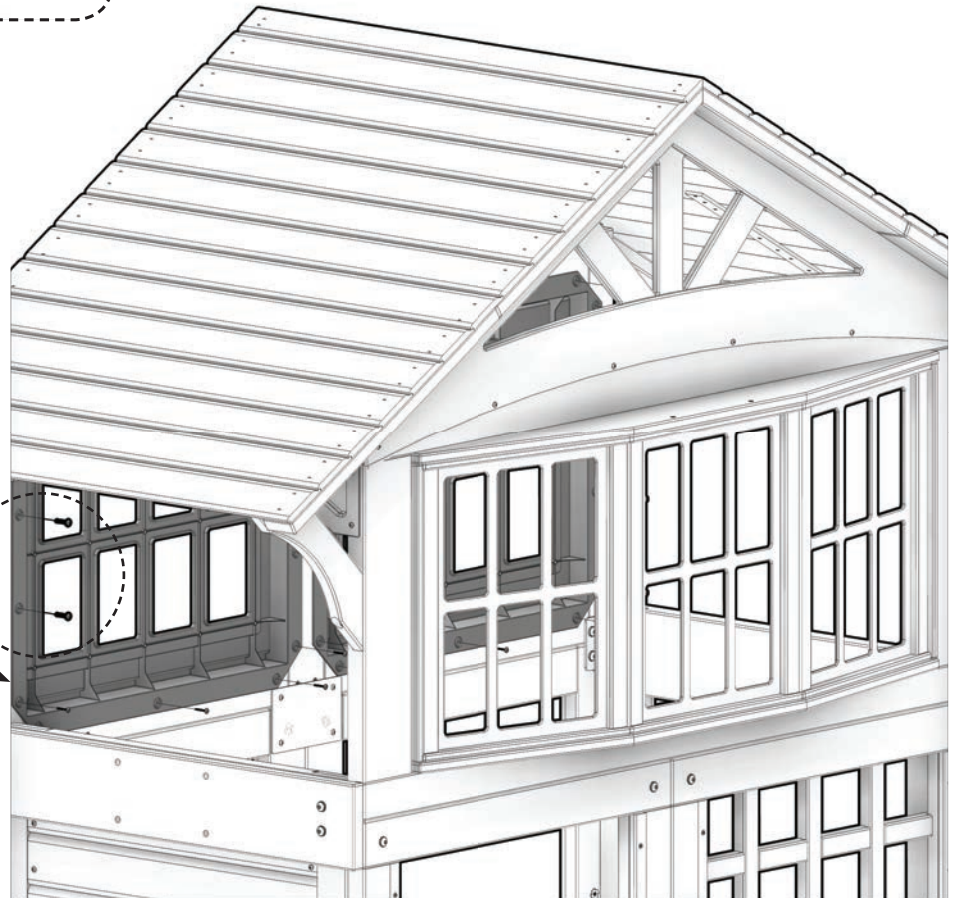
A6P00321 | **ARCHED WINDOW**
(x2) | A6P00321



H100785 | **SCREW PWH**
(x28) | 8x1 - H100785



321(x2)





Phase 5

STEP 1

F1 | POST - W4L12337
(x1) 1-3/8" x 2-3/8" x 80" (36 x 60 x 2032)

H2 | ARCHED RAIL - W4L12342
(x1) 1" x 3-3/8" x 29-1/4" (24 x 86 x 744)

F3 | POST - W4L12481
(x1) 1-3/8" x 2-3/8" x 80" (36 x 60 x 2032)

H8 | RAIL - W4L12458
(x1) 1" x 3-3/8" x 29-1/4" (24 x 86 x 744)

N1 | RAIL - W4L12334
(x1) 5/8" x 2-3/8" x 28-3/8" (16 x 60 x 720)

N4 | PICKET - W4L12341
(x4) 5/8" x 2-3/8" x 17-5/8" (16 x 60 x 448)

N5 | RAIL - W4L12470
(x1) 5/8" x 2-3/8" x 28-3/8" (16 x 60 x 720)

H100567 | BOLT WH BLK
(x6) 1/4 x 2-1/4 - H100567

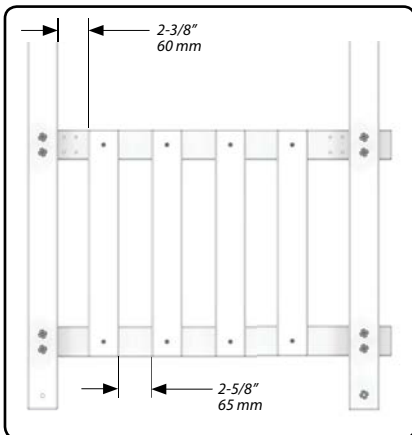
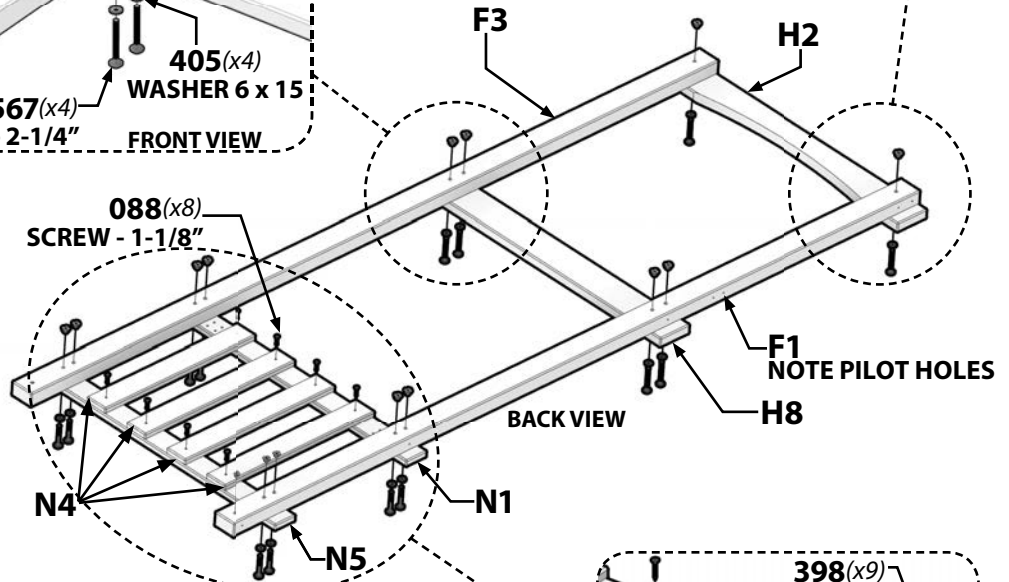
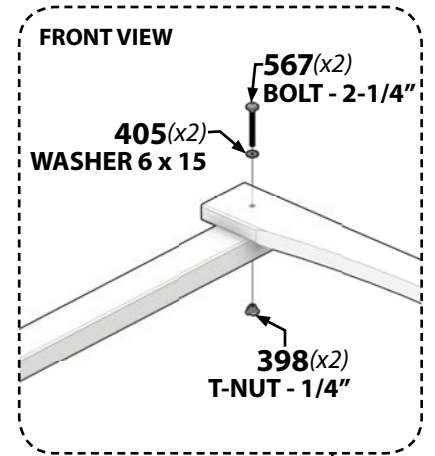
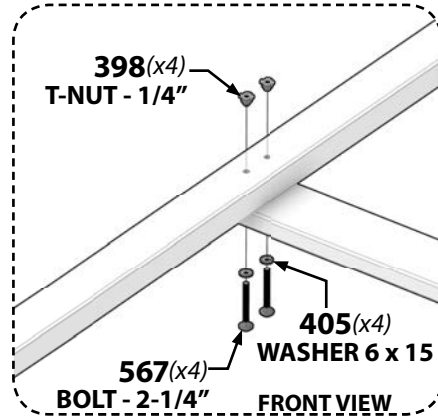
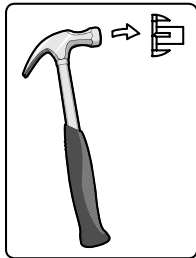
H100488 | BOLT WH BLK
(x8) 1/4 x 2 - H100488

H100088 | SCREW PFH
(x8) 8x1-1/8 - H100088

H100398 | T-NUT BLK
(x15) 1/4 - H100398

H100405 | WASHER LOCK EXT BLK
(x14) 6x15 - H100405

ASSEMBLY NOTE:
IN THIS STEP YOU WILL BE CREATING
"FRONT WALL SUB-ASSEMBLY" THAT
WILL BE USED IN A LATER STEP.



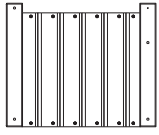
PICKET PLACEMENT

ASSEMBLY NOTE:
BOARDS "F1" AND "F3" PILOT HOLES
TO OUTSIDE.



Phase 5

STEP 2



WP8 (x1) | **WALL PANEL - W2A02775**
1-7/16" x 18-1/16" x 21-13/16" (36 x 458 x 554)

H7 (x1) | **RAIL - W4L12457**
1" x 3-3/8" x 18" (24 x 86 x 458)

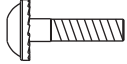
H15 (x1) | **RAIL - W4L12339**
1" x 3-3/8" x 18" (24 x 86 x 458)



A4M00555 (x2) | **L BRACKET BLK**
A4M00555



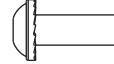
A4M00710 (x2) | **L BRACKET BLACK 32X51**
A4M00710



H100171 (x1) | **BOLT WH BLK**
1/4x1 - H100171



H100398 (x1) | **T-NUT BLK**
1/4 - H100398



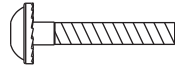
H100399 (x3) | **NUT BARREL WH BLK**
1/4 x 7/8 - H100399



H100400 (x3) | **WASHER LOCK EXT BLK**
8x15 - H100400



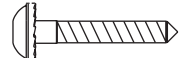
H100401 (x2) | **BOLT WH BLK**
1/4 x 1/2 - H100401



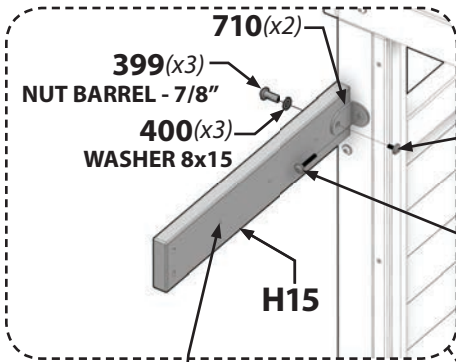
H100406 (x2) | **BOLT WH BLK**
1/4x1-1/2 - H100406



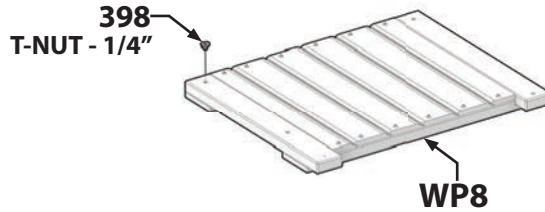
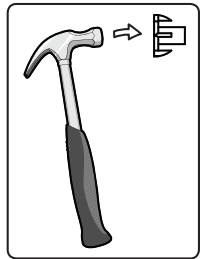
H100536 (x2) | **SCREW PWH BLK**
8 x 1-1/4 - H100536



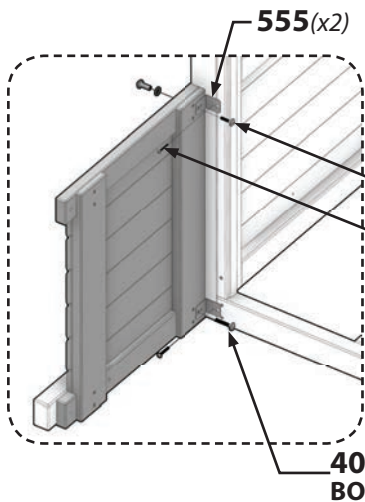
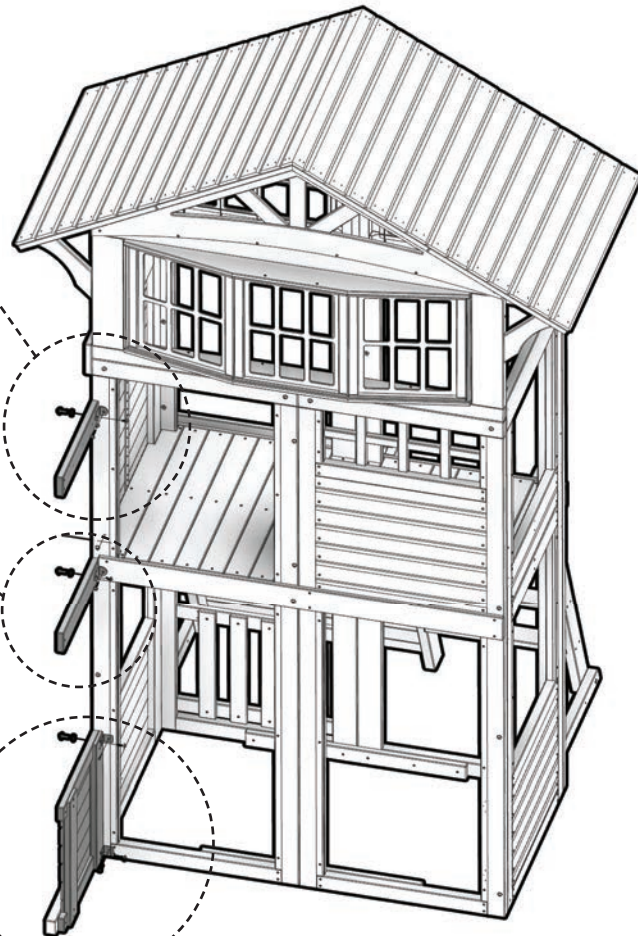
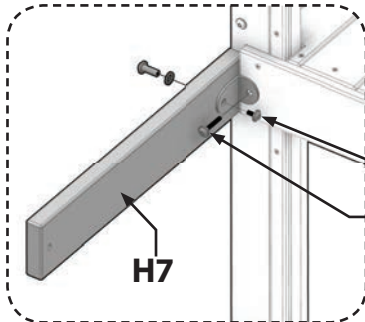
H100403 (x1) | **LAG SCREW WH BLK**
1/4 x 1-1/2 - H100403



ASSEMBLY NOTE:
ASSEMBLE T-NUT FIRST INTO 'WP8'.



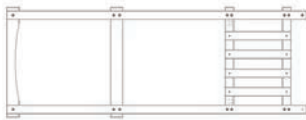
ASSEMBLY NOTE:
REPEAT PROCESS ABOVE ON H7 BORD. NOTE PILOT HOLES.





Phase 5

STEP 3



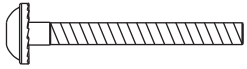
FRONT WALL SUB-ASSEMBLY



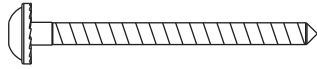
J7 | **BOTTOM BOARD - W4L12471**
(x1) | 1" x 2-3/8" x 28-3/8" (24 x 60 x 720)



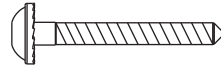
T4 | **TRIM - W4L11771**
(x1) | 1" x 1-3/8" x 17" (24 x 34 x 432)



H100567 | **BOLT WH BLK**
(x1) | 1/4 x 2-1/4 - H100567



H100792 | **LAG SCREW WH BLK**
(x1) | 1/4 x 3 - H100792



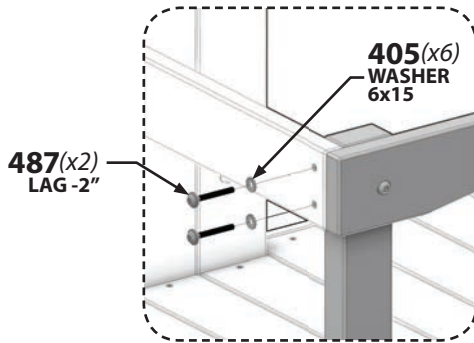
H100487 | **LAG SCREW WH BLK**
(x4) | 1/4 x 2 - H100487



H100111 | **SCREW PFH**
(x3) | 8x2 - H100111



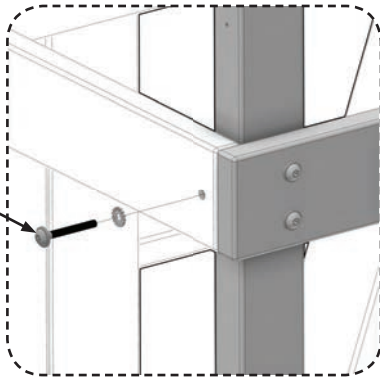
H100405 | **WASHER LOCK EXT BLK**
(x6) | 6x15 - H100405



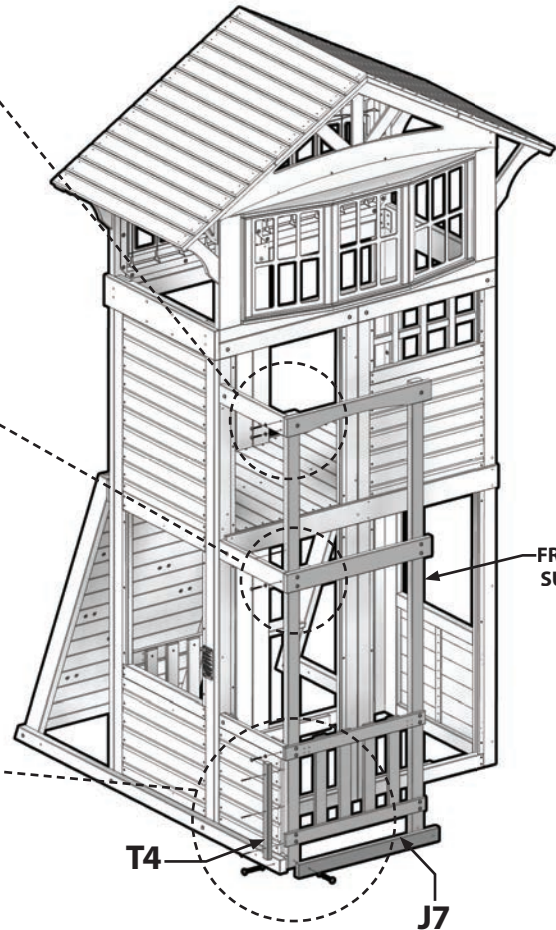
487(x2)
LAG - 2"

405(x6)
WASHER
6x15

 **ASSEMBLY NOTE:**
NOTE BOARD ORIENTATION.



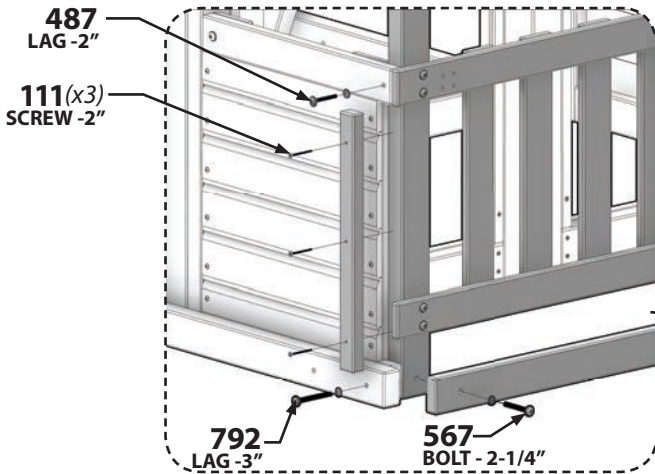
487
LAG - 2"



FRONT WALL
SUB-ASSEMBLY

T4

J7



487
LAG - 2"

111(x3)
SCREW - 2"

792
LAG - 3"

567
BOLT - 2-1/4"



Phase 5

STEP 4

H6 | RAIL - W4L12456
(x1) | 1" x 3-3/8" x 17-3/8" (24 x 86 x 442)

H15 | RAIL - W4L12339
(x1) | 1" x 3-3/8" x 18" (24 x 86 x 458)

A4M00710 | L BRACKET BLACK 32X51
(x2) | A4M00710

H100399 | NUT BARREL WH BLK
(x2) | 1/4 x 7/8 - H100399

H100400 | WASHER LOCK EXT BLK
(x2) | 8x15 - H100400

H100401 | BOLT WH BLK
(x2) | 1/4 x 1/2 - H100401

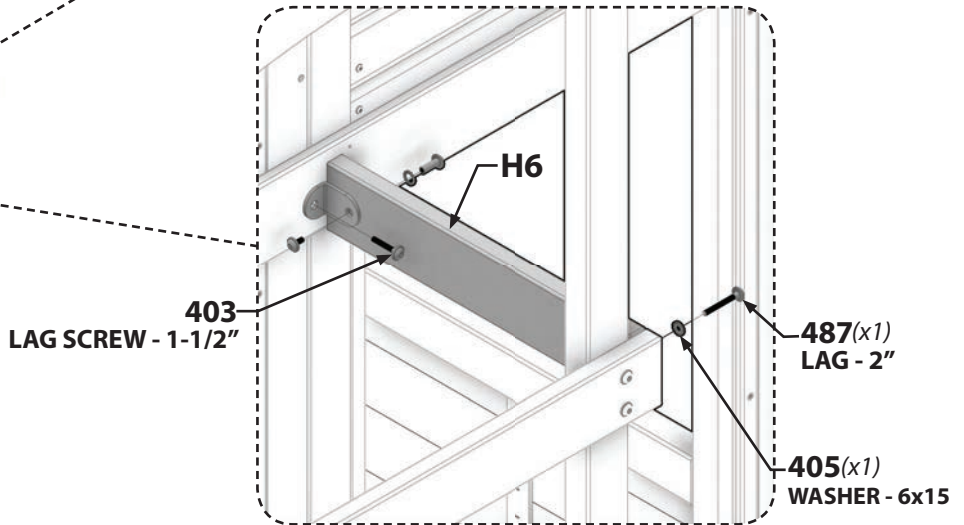
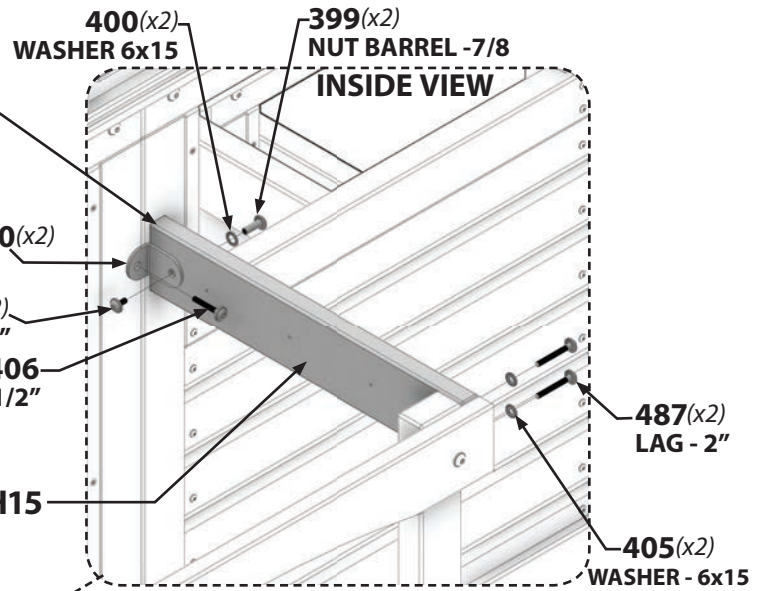
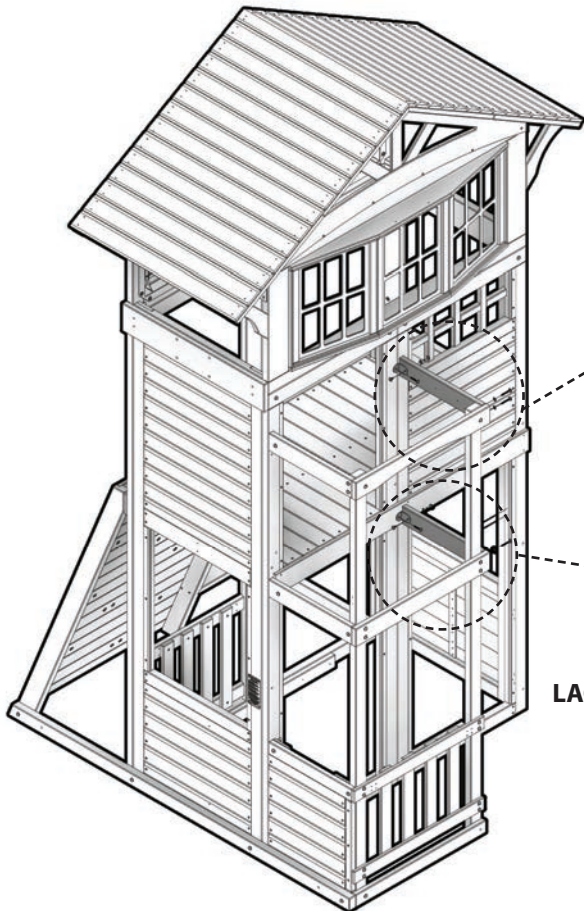
H100406 | BOLT WH BLK
(x1) | 1/4 x 1-1/2 - H100406

H100405 | WASHER LOCK EXT BLK
(x3) | 6x15 - H100405

H100487 | LAG SCREW WH BLK
(x3) | 1/4 x 2 - H100487

H100403 | LAG SCREW WH BLK
(x1) | 1/4 x 1-1/2 - H100403

ASSEMBLY NOTE:
NOTE PILOT HOLE ORIENTATION.



ASSEMBLY NOTE:
REPEAT ON H6 BOARD ATTACHMENT.



Phase 5

STEP 5



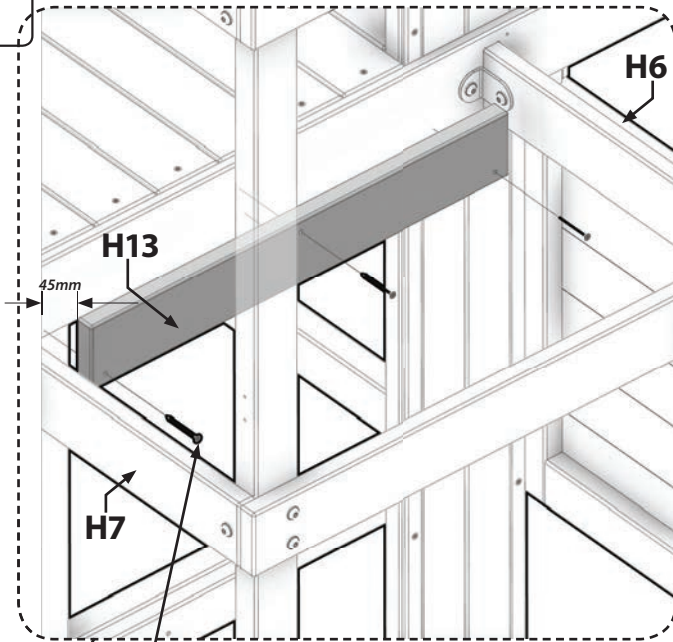
H13 | FLOOR JOIST - W4L12482
 (x1) | 1" x 3-3/8" x 23" (24 x 86 x 585)



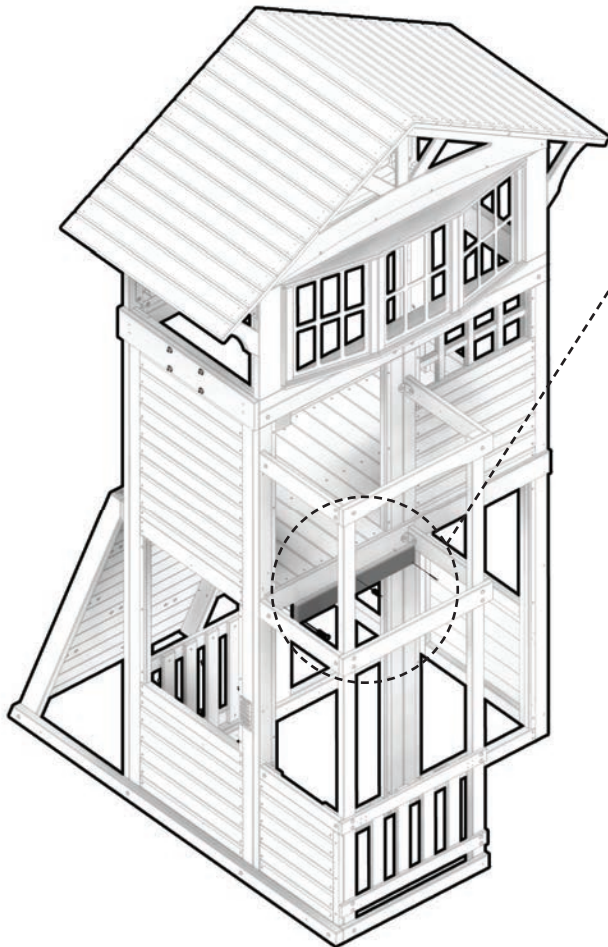
H100111 | SCREW PFH
 (x3) | 8x2 - H100111



**FLUSH WITH BOTTOM OF RAIL.
 DISTANCE BETWEEN BOARDS "H7" AND "H6"
 FROM BOARD "H13" IS 45MM FROM EACH END.**



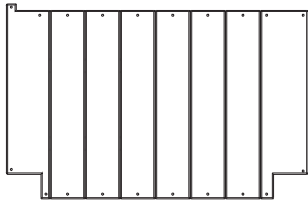
**111(x3)
 SCREW - 2"**





Phase 5

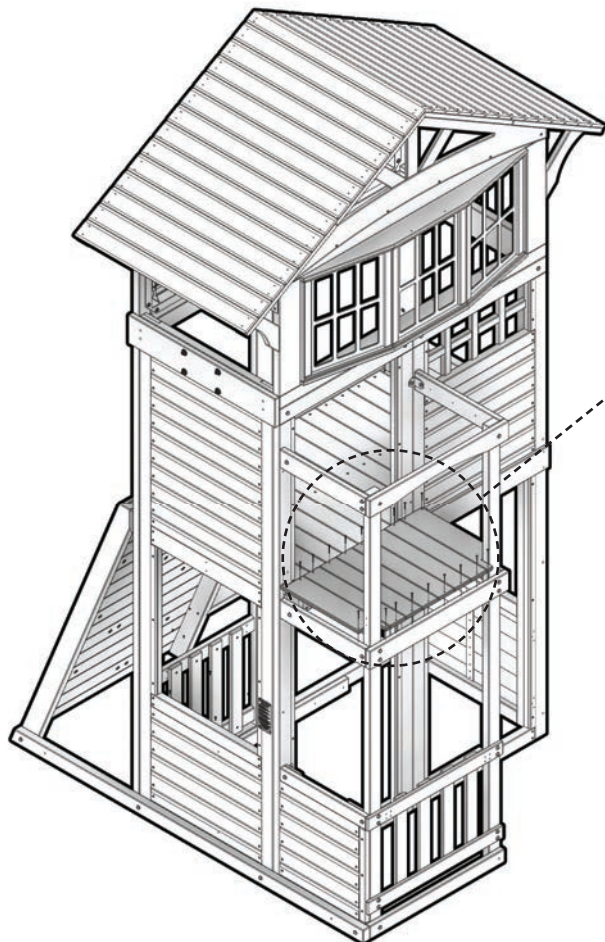
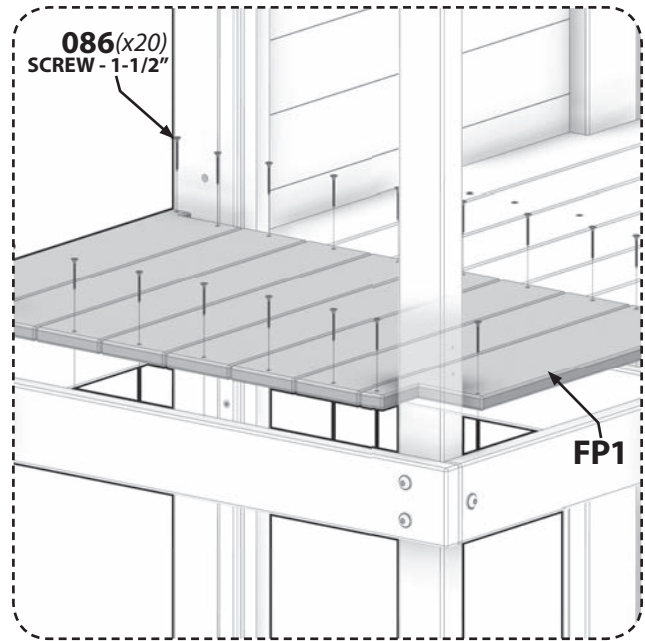
STEP 6



FP1 | FLOOR PANEL - W2A02777
(x1) | 1-1/4" x 19" x 29-1/4" (32 x 482 x 744)



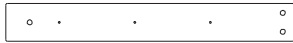
H100086 | SCREW PFH
(x20) | 8x1-1/2 - H100086





Phase 5

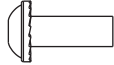
STEP 7



J2 | **RAIL - W4L12338**
(x2) | 1" x 2-3/8" x 18" (24 x 60 x 458)



A4M00710 | **L BRACKET BLACK 32X51**
(x2) | A4M00710



H100399 | **NUT BARREL WH BLK**
(x2) | 1/4 x 7/8 - H100399



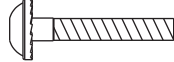
H100400 | **WASHER LOCK EXT BLK**
(x2) | 8x15 - H100400



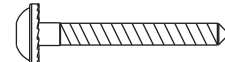
H100401 | **BOLT WH BLK**
(x2) | 1/4 x 1/2 - H100401



H100405 | **WASHER LOCK EXT BLK**
(x4) | 6x15 - H100405

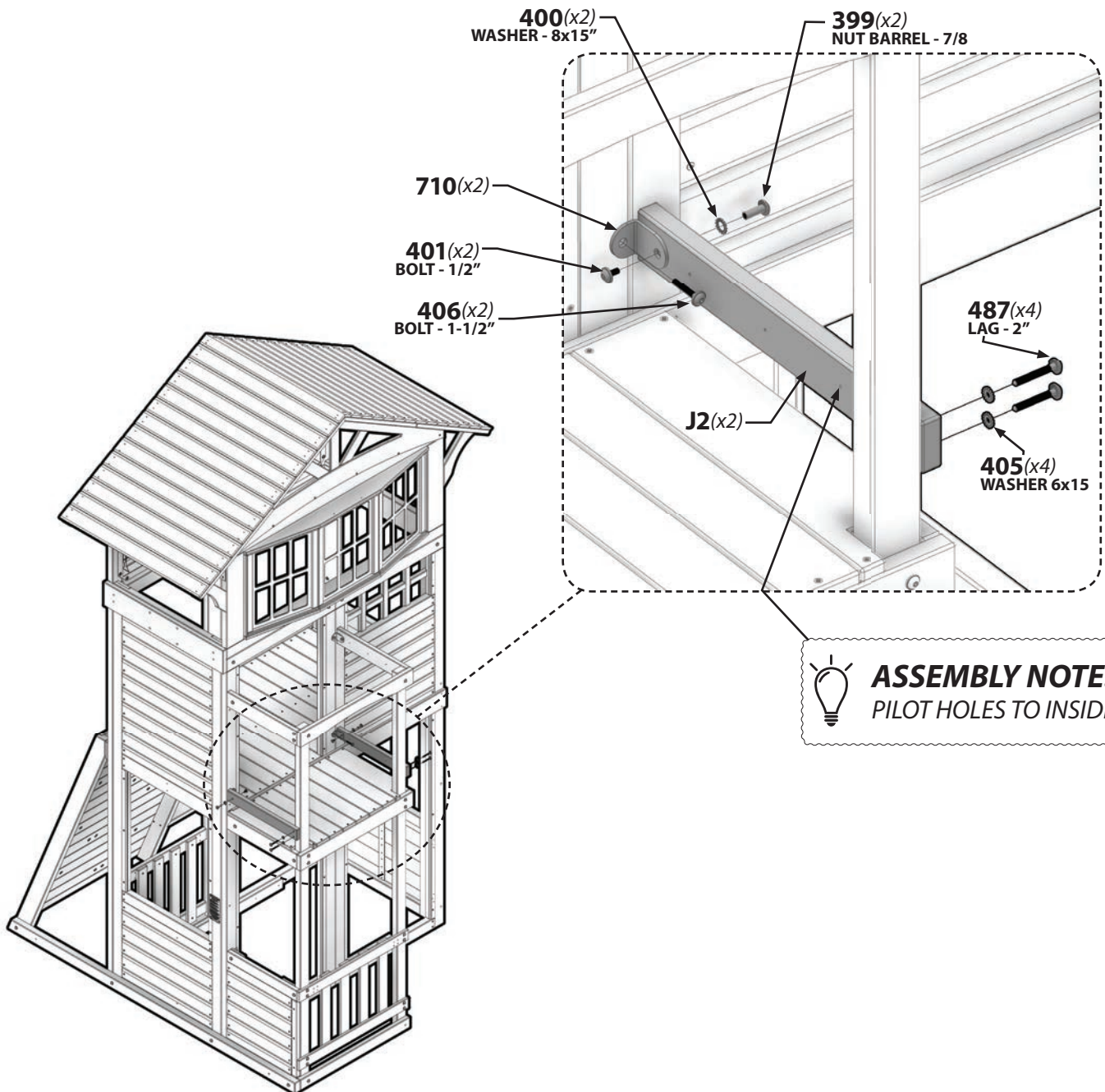


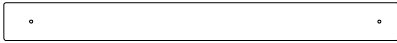
H100406 | **BOLT WH BLK**
(x2) | 1/4 x 1-1/2 - H100406



H100487 | **LAG SCREW WH BLK**
(x4) | 1/4 x 2 - H100487

NOTE: THE 'J2' RAIL IS ASSEMBLED THE SAME ON BOTH SIDES OF THE BALCONY SHOWN BELOW.





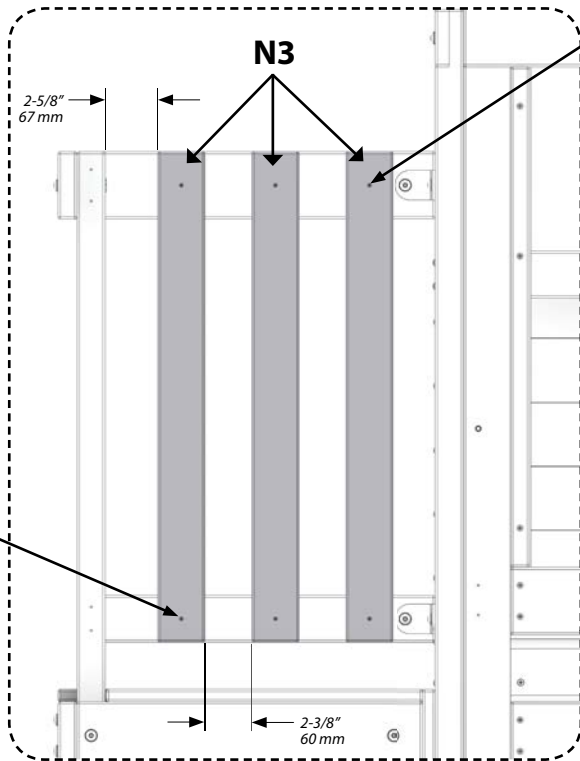
N3 | RAIL - W4L12340
(x6) | 5/8" x 2-3/8" x 24-5/8" (16 x 60 x 626)



H100088 | SCREW PFH
(x12) | 8x1-1/8 - H100088

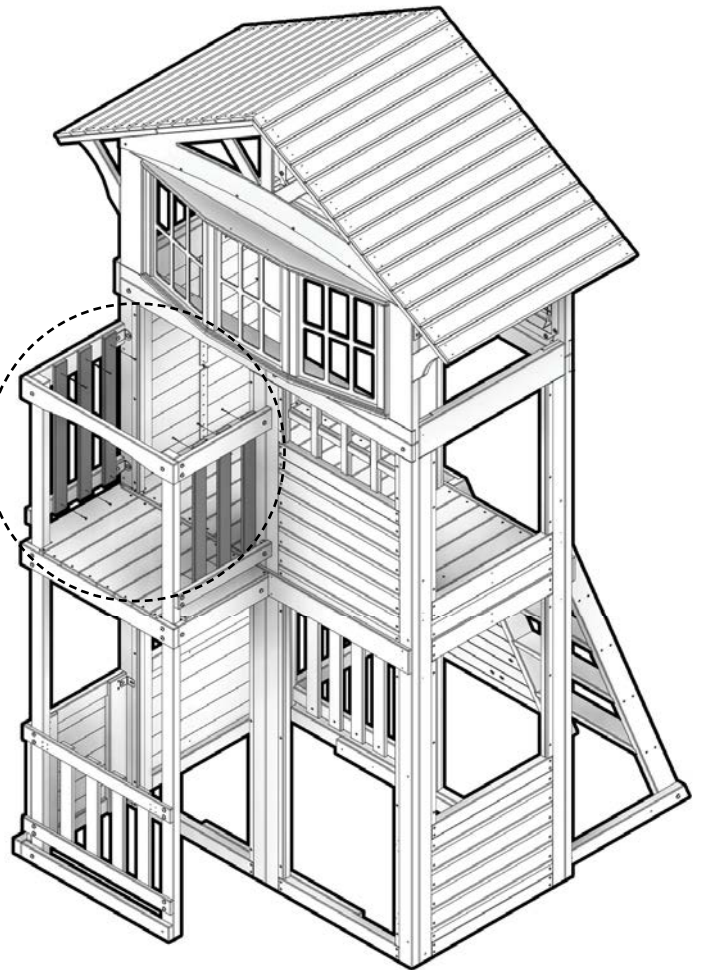


ASSEMBLY NOTE:
USE PILOT HOLES FOR SPACING.



088(x12)
SCREW - 1"

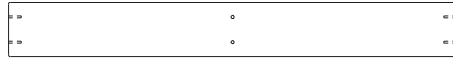
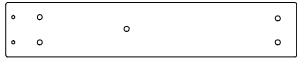
**PICKET PLACEMENT
FOR BOTH SIDES**





Phase 6

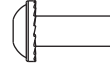
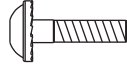
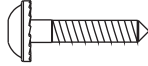
STEP 1



E1
(x2) **RAIL - W4L12344**
1-3/8" x 3-3/8" x 18" (36 x 86 x 462)

H9
(x1) **RAIL - W4L12451**
1" x 3-3/8" x 28" (24 x 86 x 712)

A4M00855
(x2) **L BRACKET 51X32X82X3.125**
A4M00855



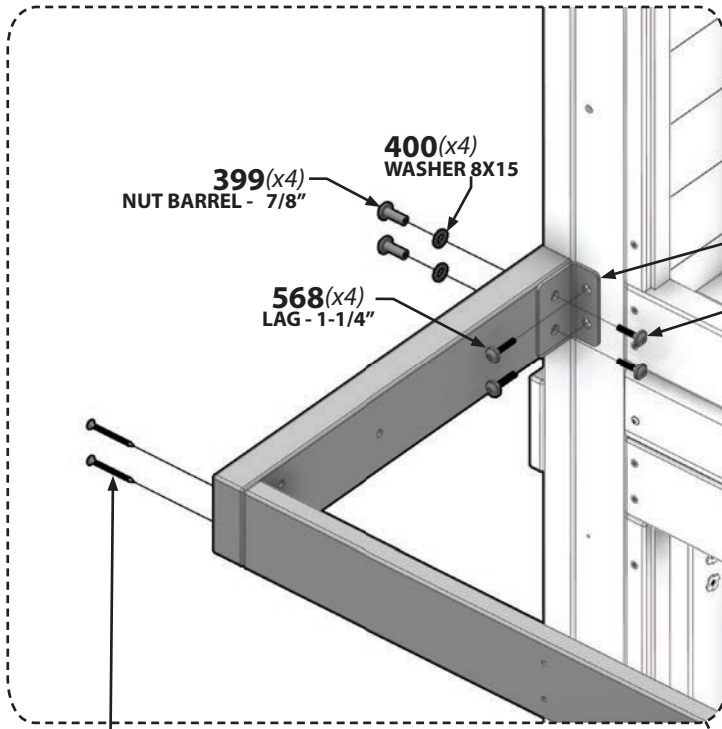
H100201
(x4) **SCREW PFH BLK**
8x2-1/2 - H100201

H100568
(x4) **LAG SCREW WH BLK**
1/4x1-1/4 - H100568

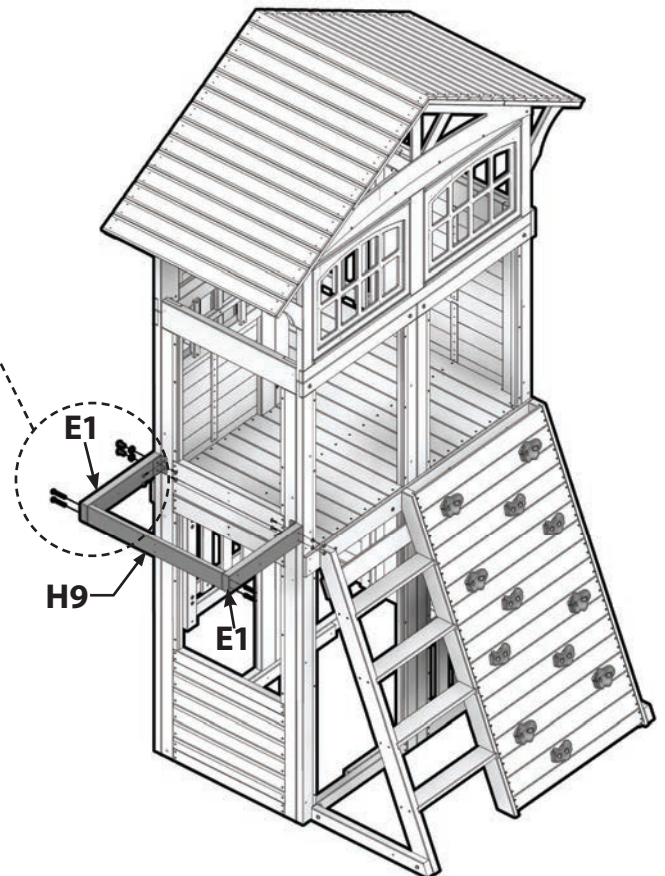
H100171
(x4) **BOLT WH BLK**
1/4x1 - H100171

H100399
(x4) **NUT BARREL WH BLK**
1/4x7/8 - H100399

H100400
(x4) **WASHER LOCK EXT BLK**
8x15 - H100400

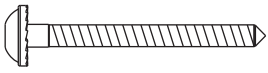


 **ASSEMBLY NOTE:**
USE PILOT HOLES AS GUIDE.

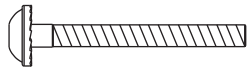




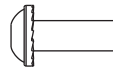
F2 | **ANGLE BRACE - W4L12343**
 (x2) | 1-3/8" x 3-3/8" x 20-1/8" (36 x 86 x 510)



H100456 | **LAG SCREW WH BLK**
 (x2) | 1/4x2-1/2 - H100456



H100567 | **BOLT WH BLK**
 (x2) | 1/4x2-1/4 - H100567



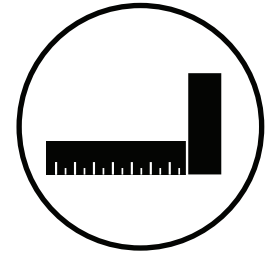
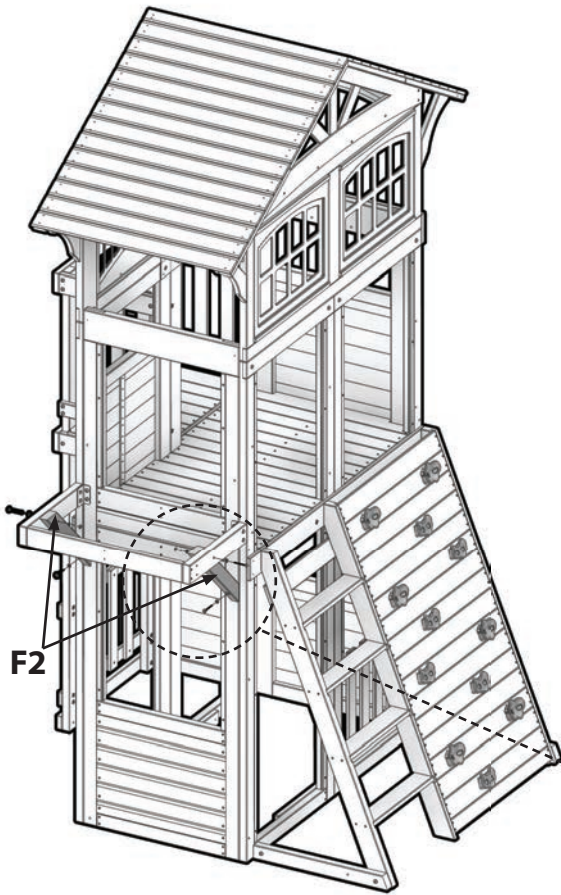
H100399 | **NUT BARREL WH BLK**
 (x2) | 1/4 x 7/8 - H100399



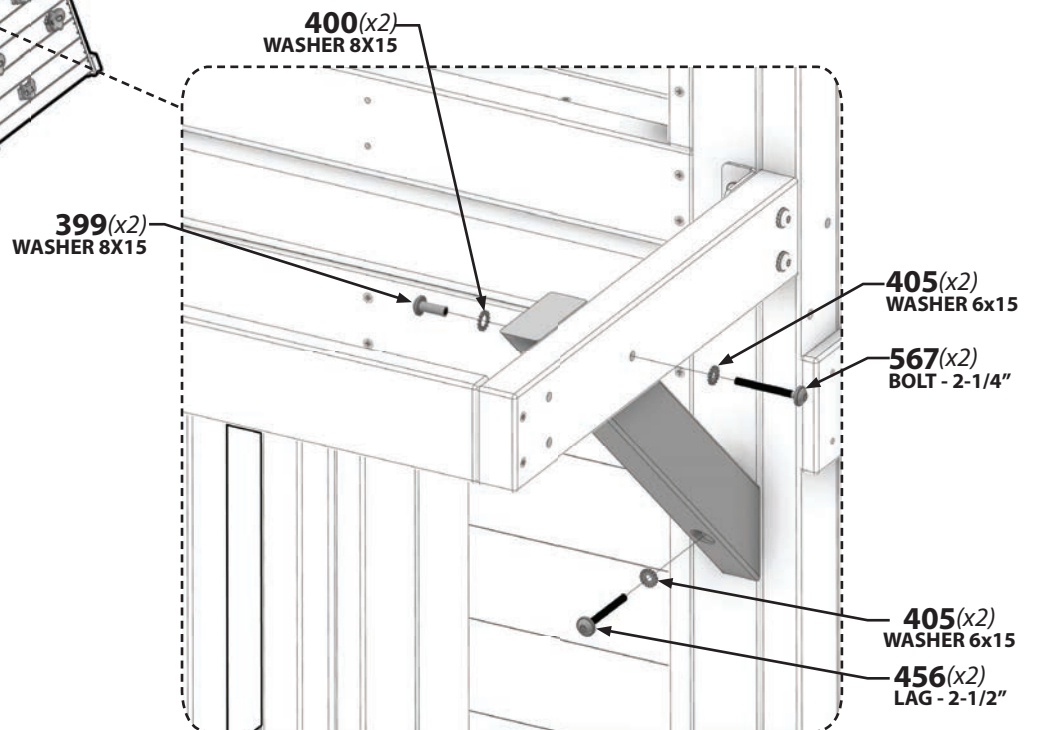
H100405 | **WASHER LOCK EXT BLK**
 (x4) | 6x15 - H100405



H100400 | **WASHER LOCK EXT BLK**
 (x2) | 8x15 - H100400



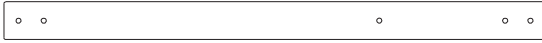
 **ASSEMBLY NOTE:**
 REPEAT PROCESS FOR BOTH
 ANGLE BRACES.





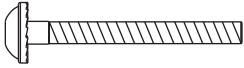
Phase 6

STEP 3



J4 | **POST - W4L12454**
(x2) | 1" x 2-3/8" x 33-7/8" (24 x 60 x 859)

J12 | **FLOOR SUPPORT - W4L1772**
(x2) | 1" x 2-3/8" x 3-7/8" (24 x 60 x 86)



H100567 | **BOLT WH BLK**
(x4) | 1/4x2-1/4 - H100567



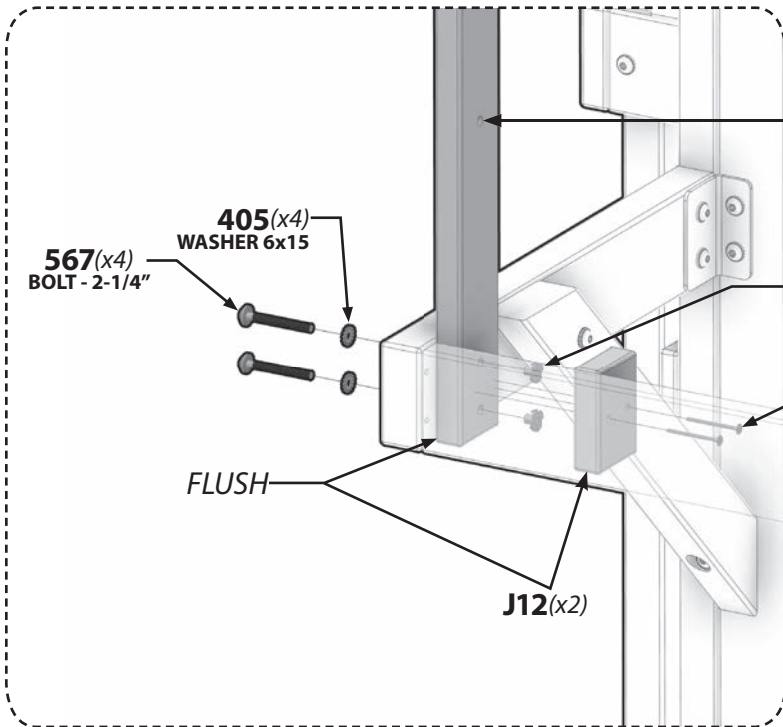
H100111 | **SCREW PFH**
(x4) | 8x2 - H100111



H100398 | **T-NUT BLK**
(x4) | 1/4 - H100398

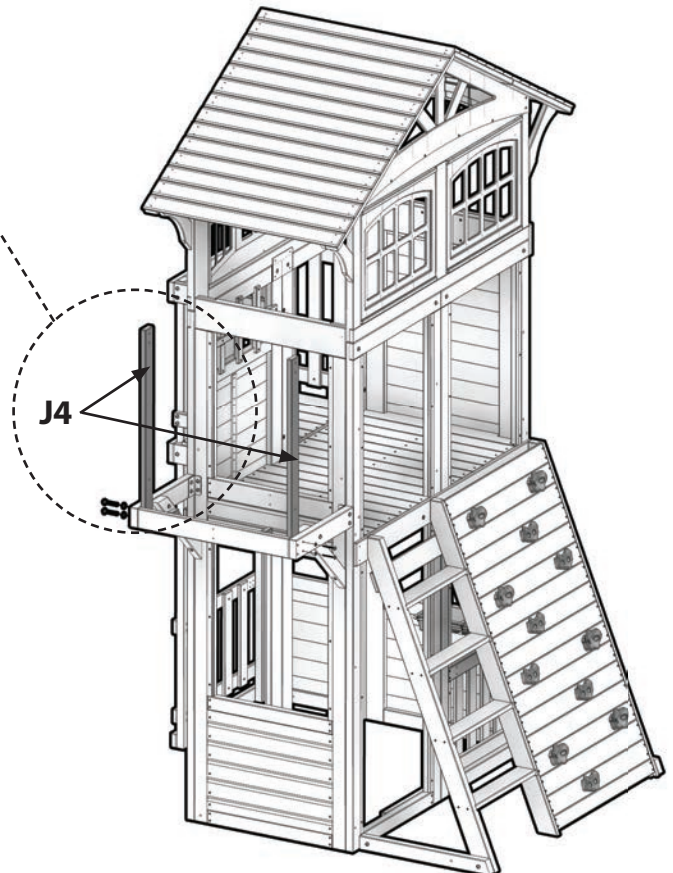


H100405 | **WASHER LOCK EXT BLK**
(x4) | 6x15 - H100405



ASSEMBLY NOTE:

NOTE HOLE AT BOTTOM
REPEAT THIS STEP ON OPPOSITE SIDE.





Phase 6

STEP 4



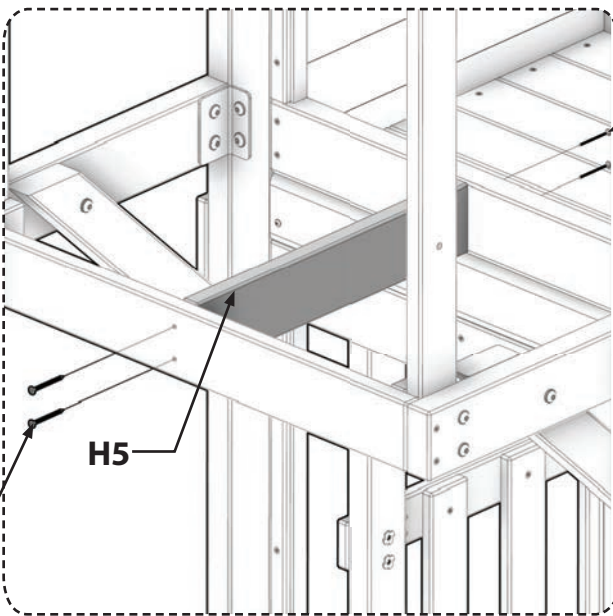
H5 | FLOOR JOIST - W4L12455
(x1) | 1" x 3-3/8" x 17-1/4" (24 x 86 x 438)



H100201 | SCREW PFH BLK
(x2) | 8x2-1/2 - H100201



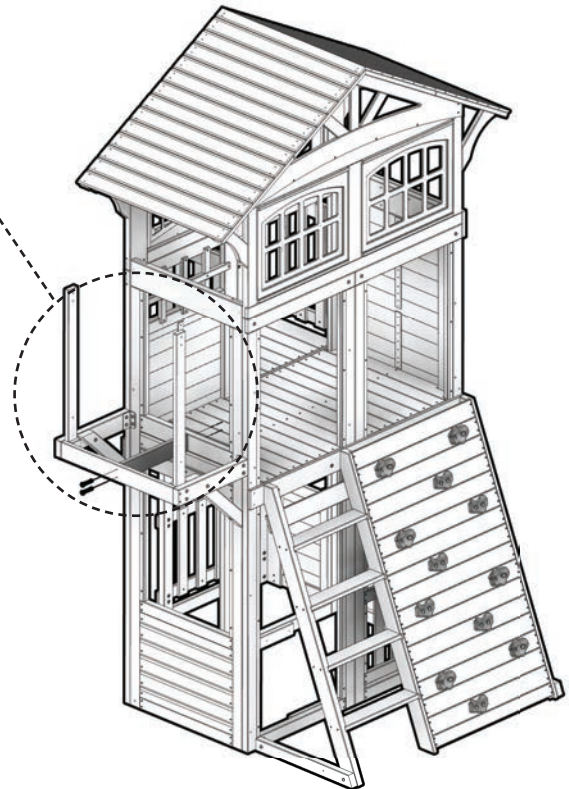
H100092 | SCREW PFH
(x2) | 8x3 - H100092

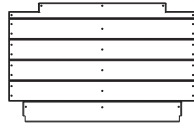


201(x2)
SCREW - 2-1/2"

H5

092(x2)
SCREW - 3"

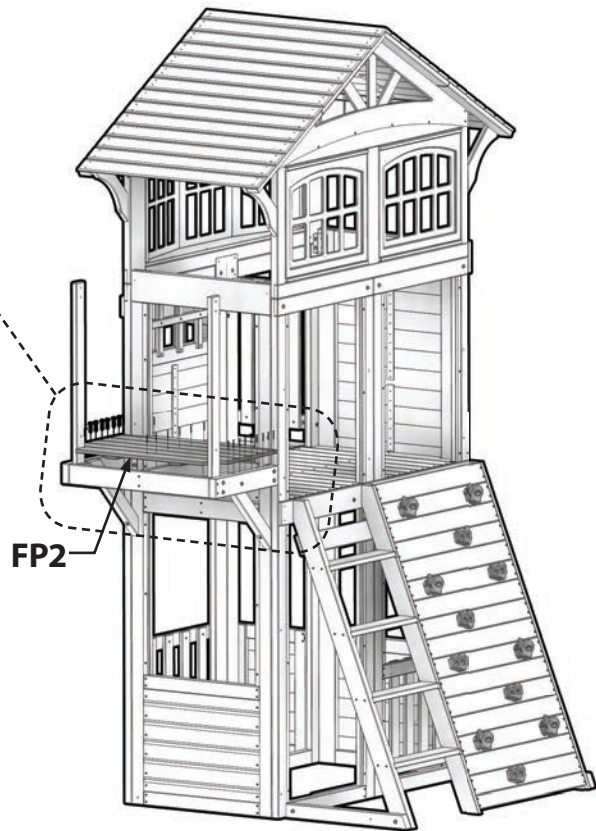
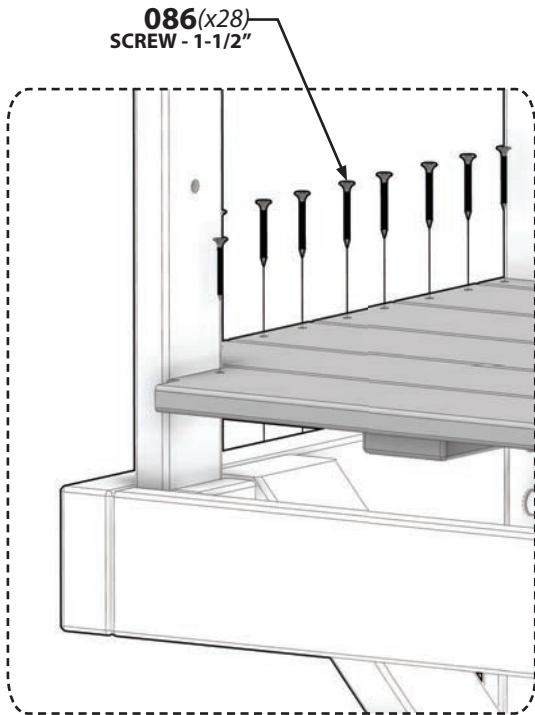




FP2 | **FLOOR PANEL - W2A02778**
(x1) | 1-1/4" x 19-9/16" x 30-7/8" (32 x 498 x 784)



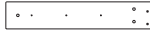
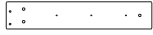
H100086 | **SCREW PFH**
(x28) | 8x1-1/2 - H100086





Phase 6

STEP 6

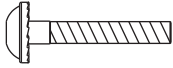


H4 | RAIL - W4L12452
(x1) | 1" x 3-3/8" x 18-1/4" (24 x 86 x 462)

H11 | RAIL - W4L12462
(x1) | 1" x 2-3/4" x 28" (24 x 71 x 712)

H12 | RAIL - W4L12463
(x1) | 1" x 3-3/8" x 18-1/4" (24 x 86 x 462)

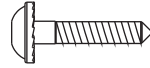
A4M00710 | L BRACKET BLACK 32X51
(x2) | A4M00710



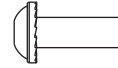
H100406 | BOLT WH BLK
(x4) | 1/4x1-1/2 - H100406



H100401 | BOLT WH BLK
(x2) | 1/4 x 1/2 - H100401



H100568 | LAG SCREW WH BLK
(x2) | 1/4x1-1/4 - H100568



H100399 | NUT BARREL WH BLK
(x6) | 1/4 x 7/8 - H100399



H100391 | SCREW PFH BLK
(x4) | 8x2 - H100391



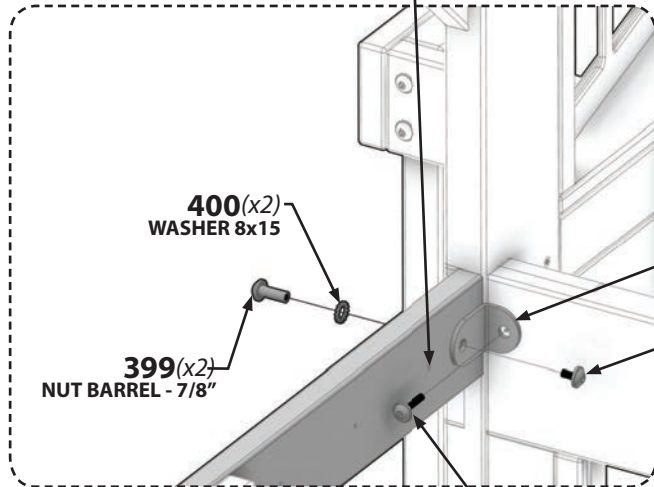
H100405 | WASHER LOCK EXT BLK
(x4) | 6x15 - H100405



H100400 | WASHER LOCK EXT BLK
(x6) | 8x15 - H100400



ASSEMBLY NOTE:
PILOT HOLES TO INSIDE.



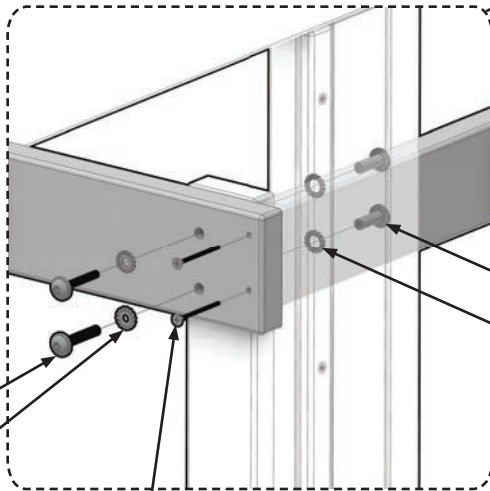
400(x2)
WASHER 8x15

399(x2)
NUT BARREL - 7/8"

710(x2)

401(x2)
BOLT - 1/2"

568(x2)
LAG - 1-1/4"



406(x4)
BOLT - 1-1/2"

405(x4)
WASHER 6x15

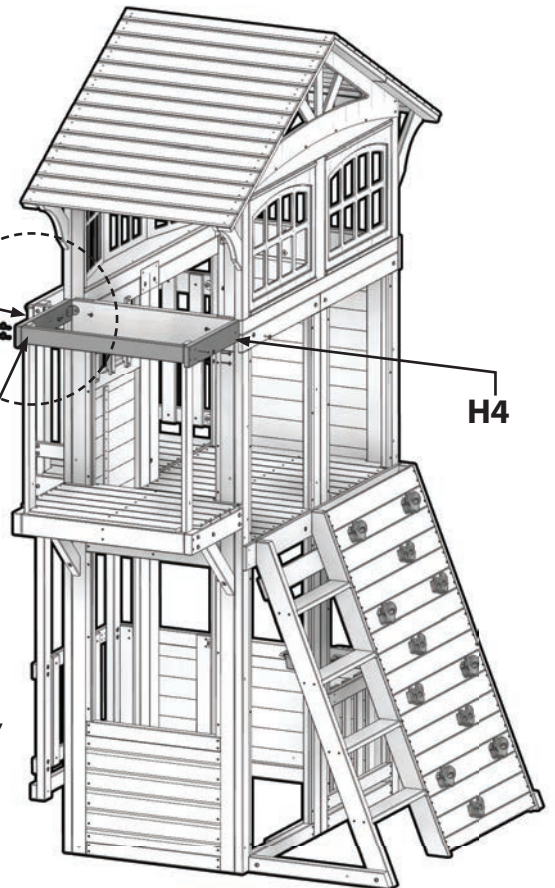
391(x4)
SCREW - 2"

399(x4)
NUT BARREL - 7/8"
400(x4)
WASHER 8x15

H12

H11

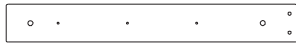
H4





Phase 6

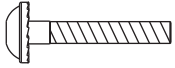
STEP 7



J3 | **RAIL - W4L12453**
(x2) | 1" x 2-3/8" x 18-1/4" (24 x 60 x 462)



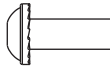
A4M00710 | **L BRACKET BLACK 32X51**
(x2) | A4M00710



H100406 | **BOLT WH BLK**
(x4) | 1/4x1-1/2 - H100406



H100401 | **BOLT WH BLK**
(x2) | 1/4x1/2 - H100401



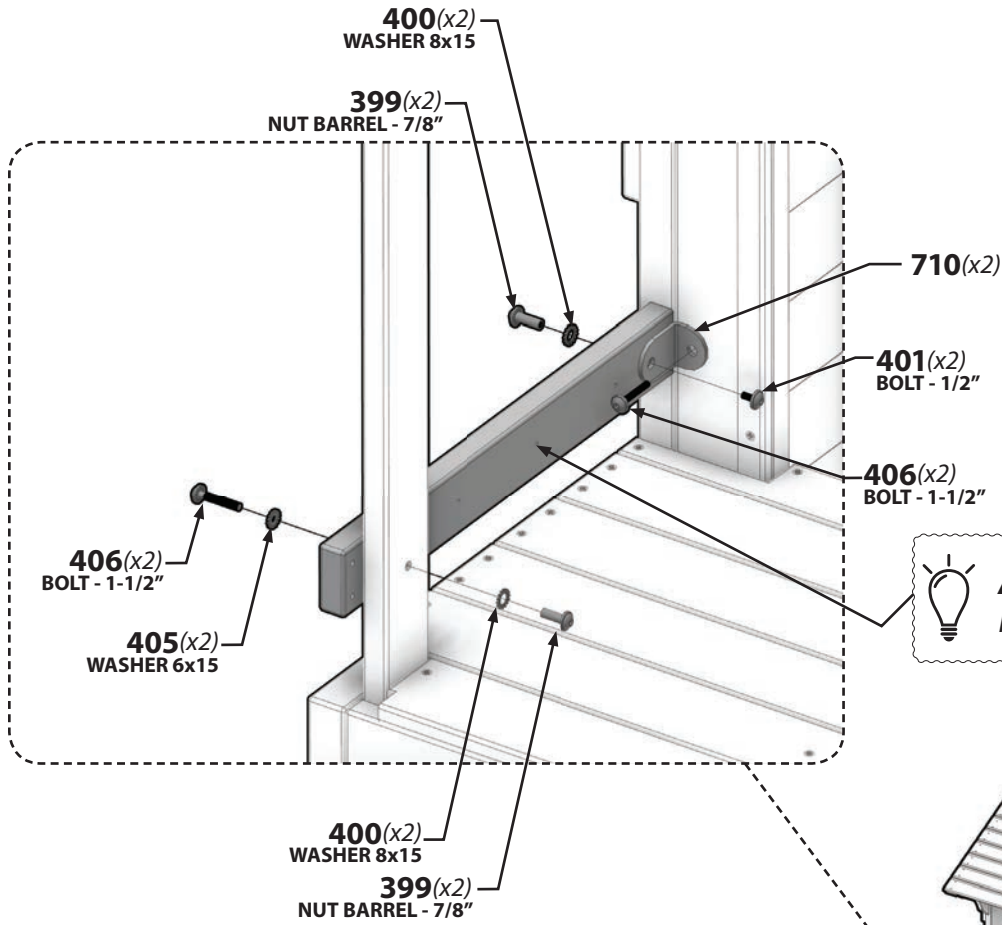
H100399 | **NUT BARREL WH BLK**
(x4) | 1/4 x 7/8 - H100399




H100405 | **WASHER LOCK EXT BLK**
(x2) | 6x15 - H100405

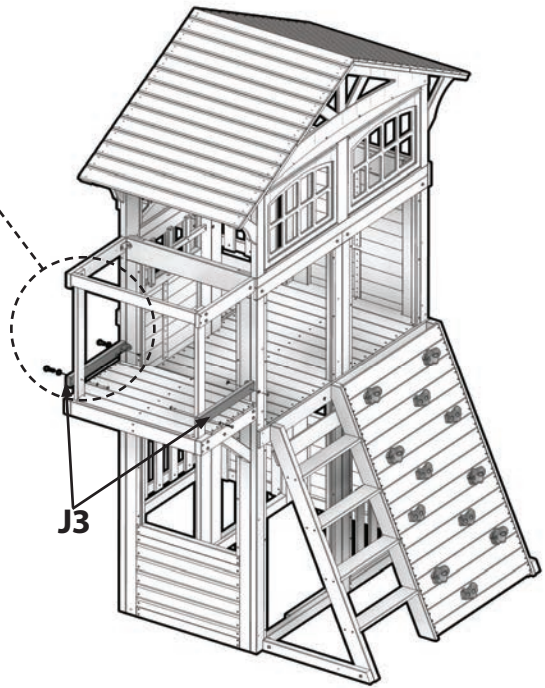


H100400 | **WASHER LOCK EXT BLK**
(x4) | 8x15 - H100400



 **ASSEMBLY NOTE:**
REPEAT PROCESS FOR BOTH
"J3" BOARDS.

 **ASSEMBLY NOTE:**
PILOT HOLES TO INSIDE.





Phase 6

STEP 8

T2 | TRIM - W4L12483
(x1) | 1" x 1-3/8" x 27-5/8" (24 x 34 x 702)

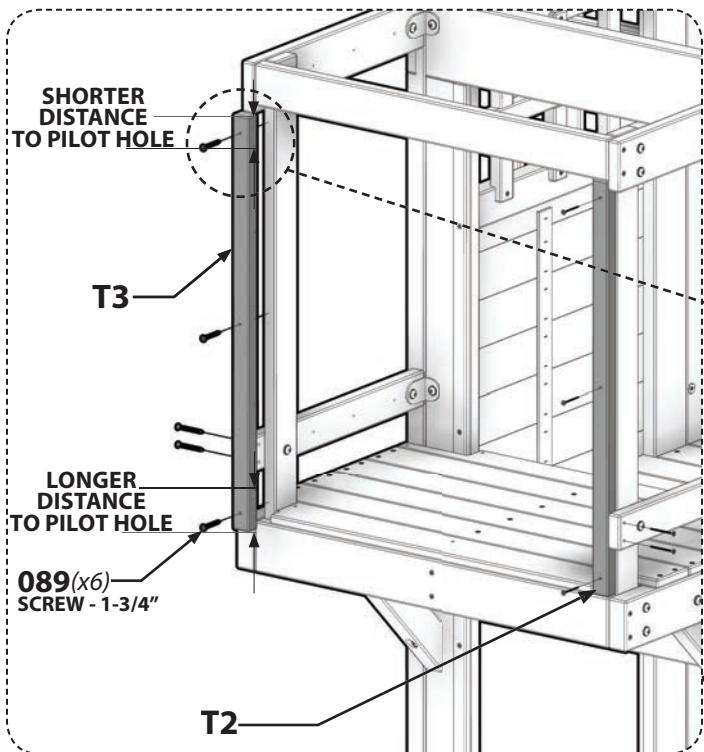
T3 | TRIM - W4L12484
(x1) | 1" x 1-3/8" x 27-5/8" (24 x 34 x 702)



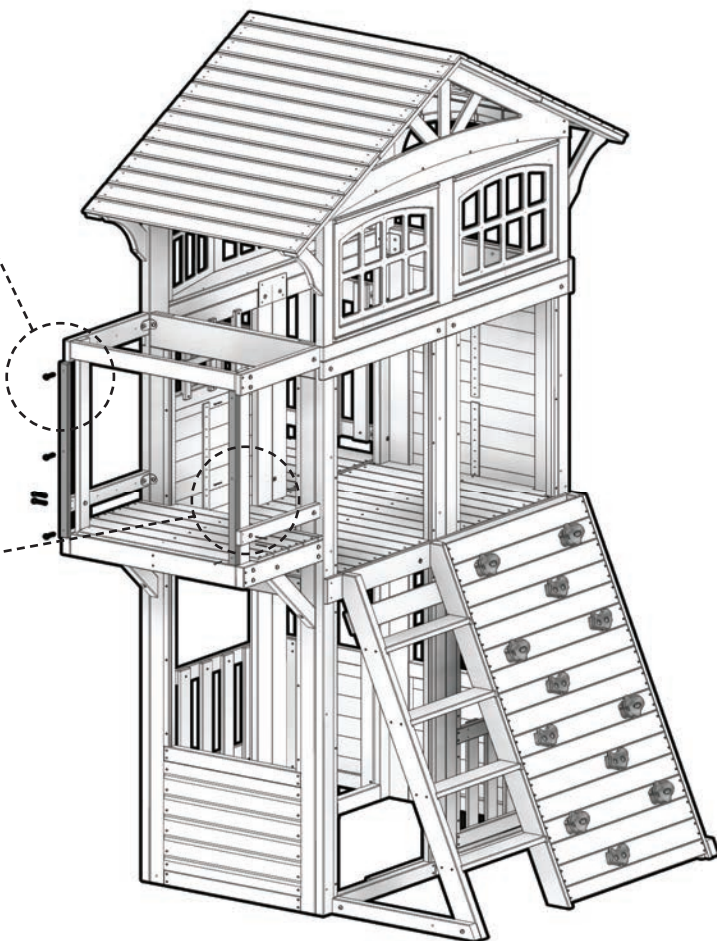
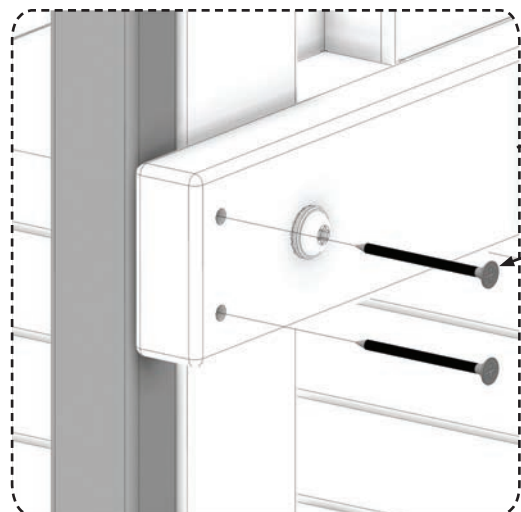
H100391 | SCREW PFH BLK
(x4) | 8x2 - H100391

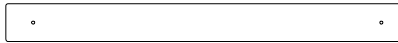
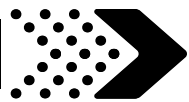


H100089 | SCREW PFH
(x6) | 8x1-3/4 - H100089



ASSEMBLY NOTE:
NOTE PILOT HOLES OF BOARDS.





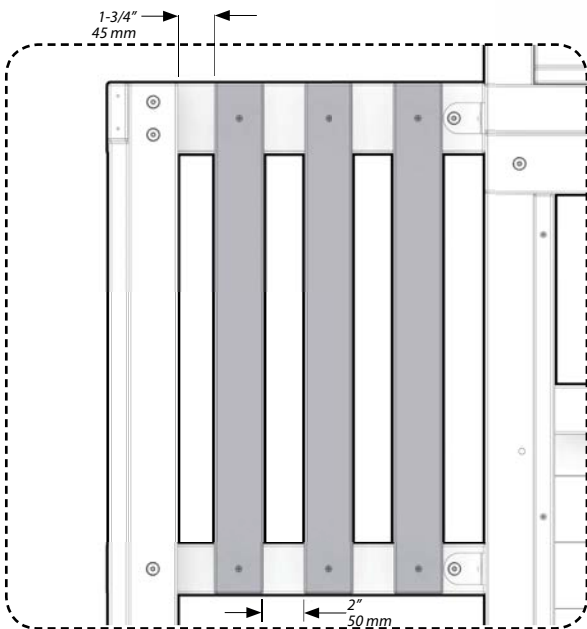
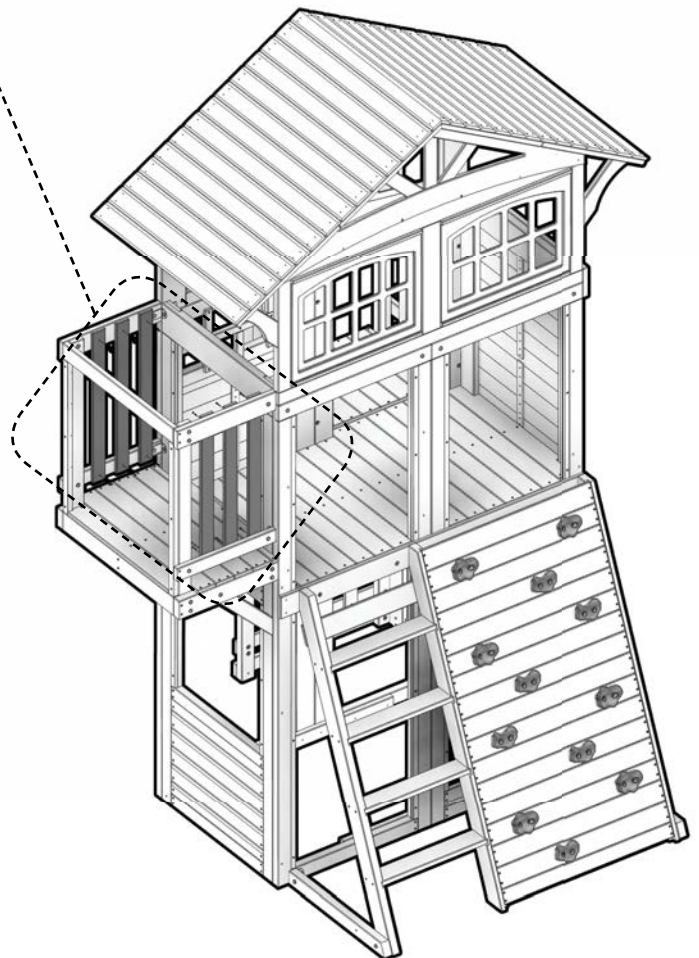
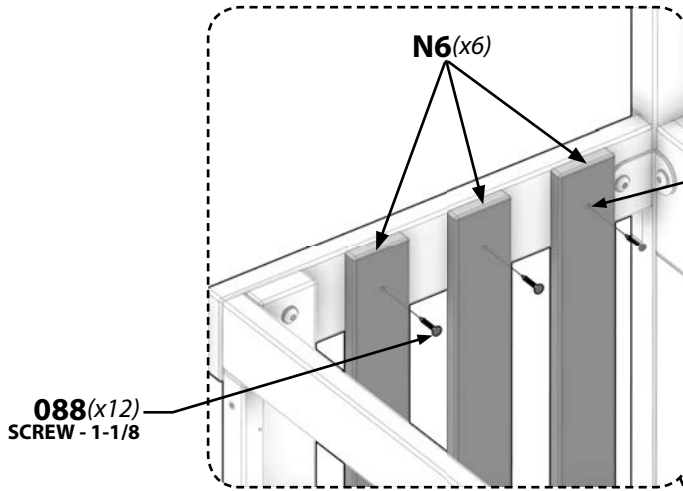
N6 | RAIL - W4L12582
(x6) | 5/8"x2 3/8"x27 1/8" (16x60x690)



H100088 | SCREW PFH
(x12) | 8x1-1/8 - H100088



ASSEMBLY NOTE:
USE PILOT HOLES FOR SPACING.



PICKET PLACEMENT



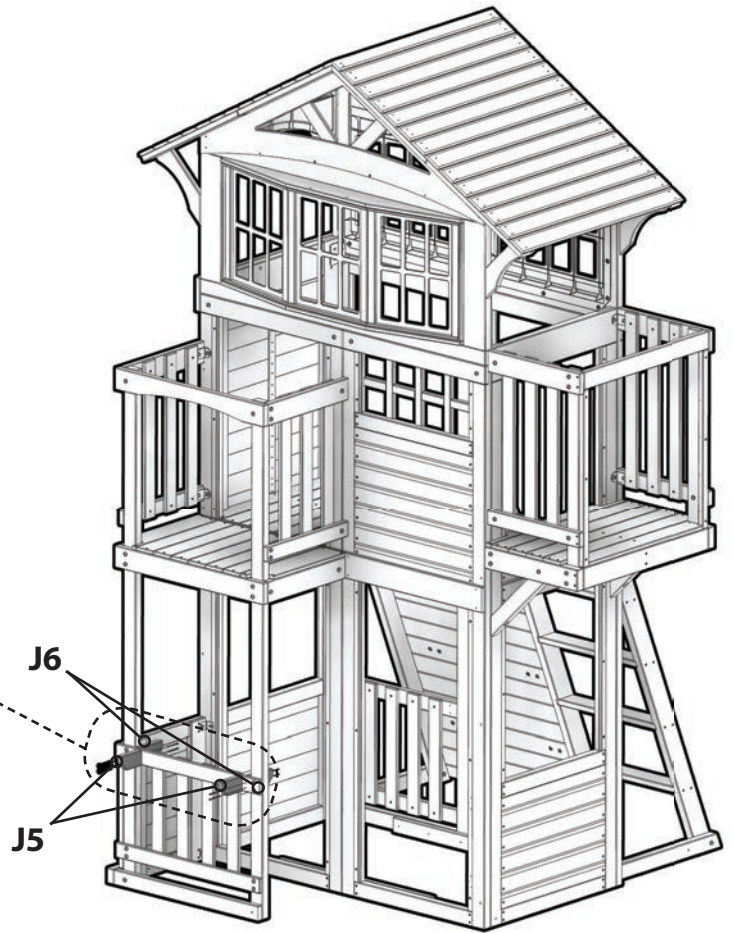
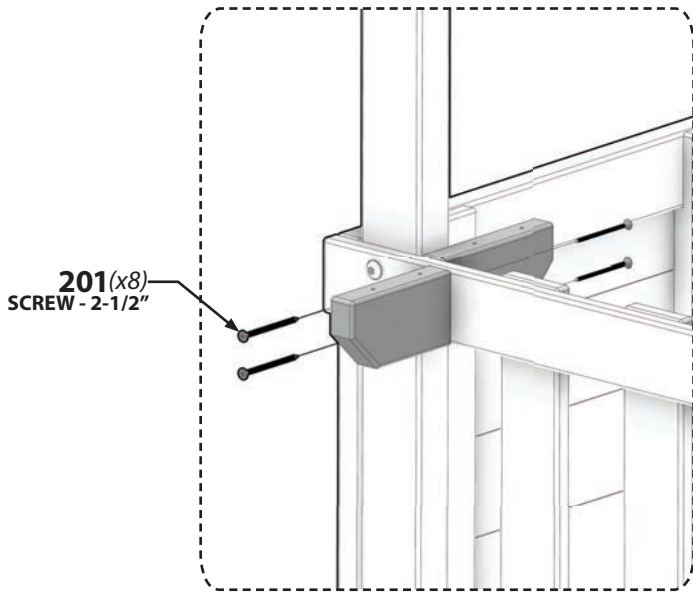
J5 | **BRACE - W4L12468**
(x2) | 1" x 2-3/8" x 4-1/2" (24 x 60 x 115)



J6 | **BRACE - W4L12469**
(x2) | 1" x 2-3/8" x 5-1/8" (24 x 60 x 130)



H100201 | **SCREW PFH BLK**
(x8) | 8x2-1/2 - H100201





Phase 7

STEP 2



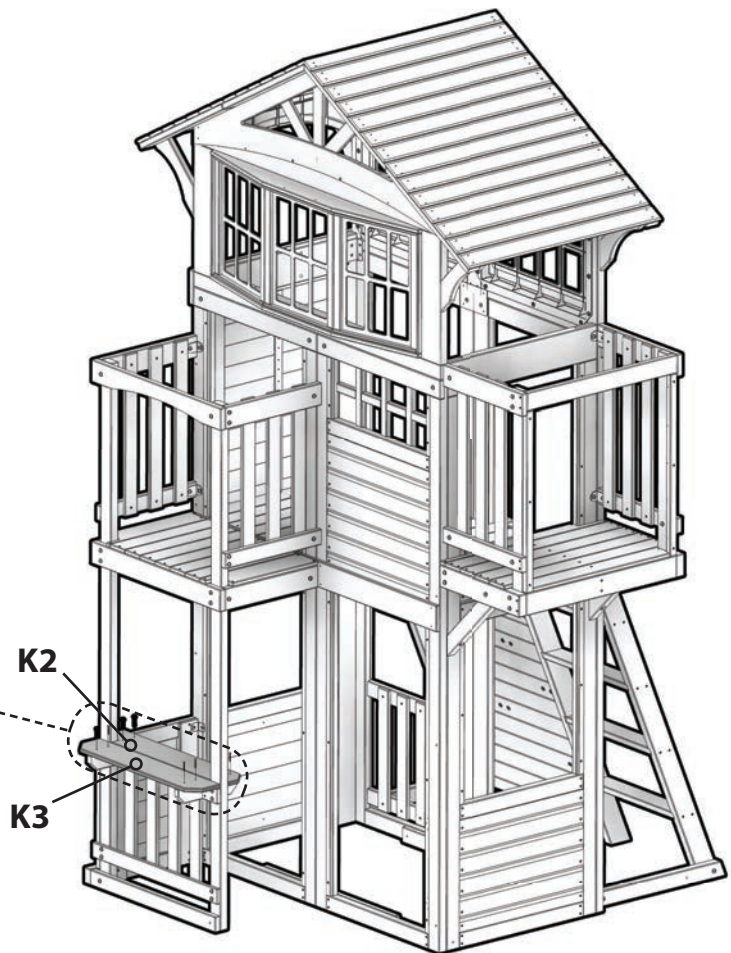
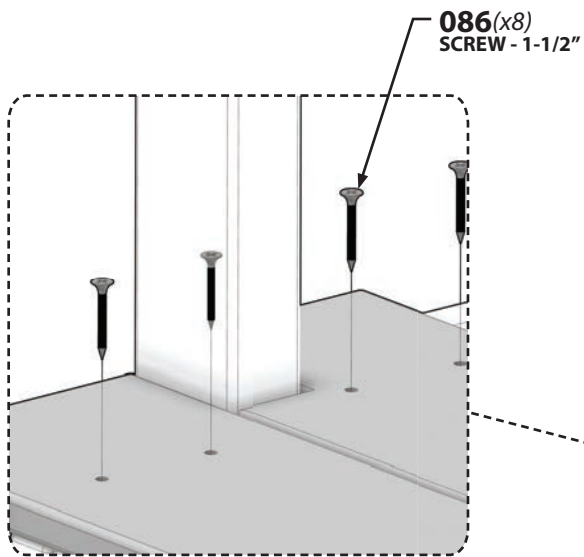
K2
(x1) | **COUNTER TOP - W4L12461**
5/8" x 5-1/4" x 28-3/8" (16 x 134 x 720)



K3
(x1) | **COUNTER TOP - W4L12464**
5/8" x 5-1/4" x 27-3/8" (16 x 134 x 696)



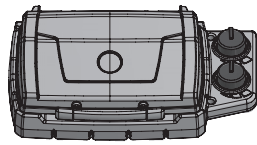
H100086 | **SCREW PFH**
(x8) | 8x1-1/2 - H100086





Phase 7

STEP 3



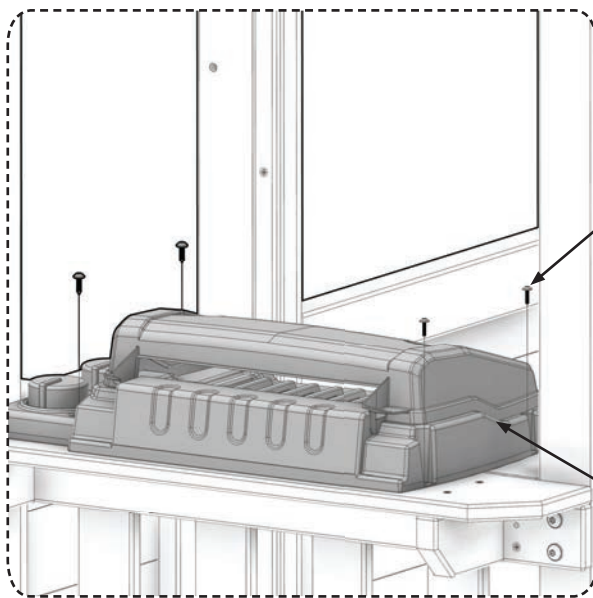
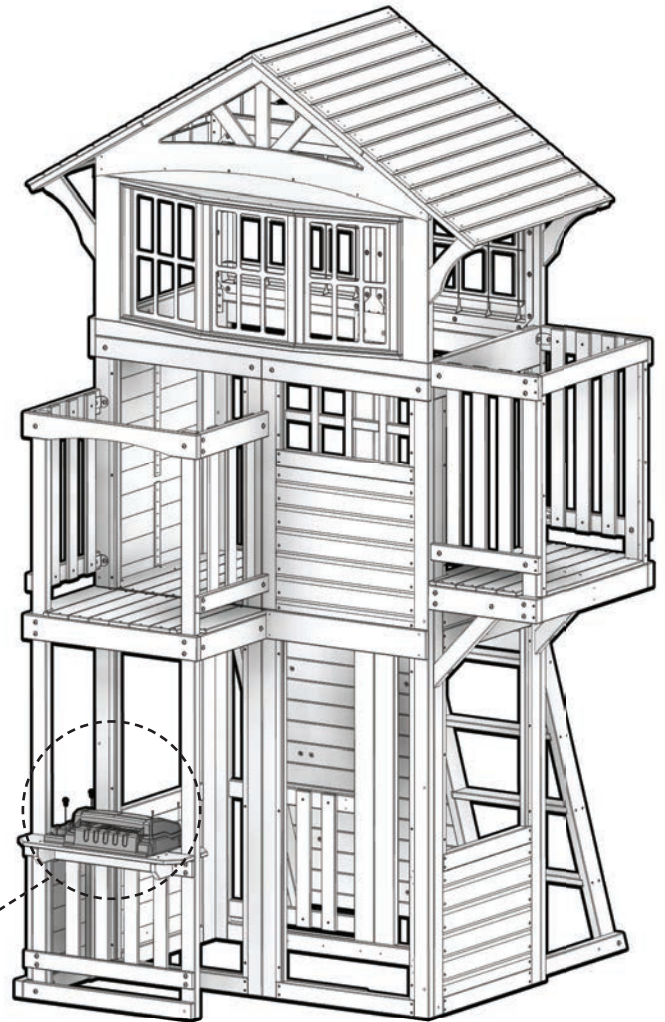
A6P00282 | **BBQ GRILL**
(x1) | A6P00282



H100202 | **SCREW PWH BLK**
(x4) | 8x5/8 - H100202

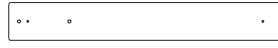
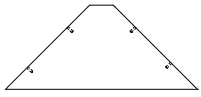


ASSEMBLY NOTE:
CENTER GRILL IN OPENING



202(x4)
SCREW - 5/8"


282



G1 | **ANGLE BRACE - W4L12473**
 (x1) | 1" x 5-1/4" x 12" (24 x 134 x 305)

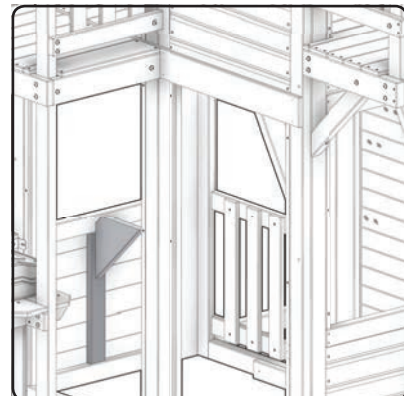
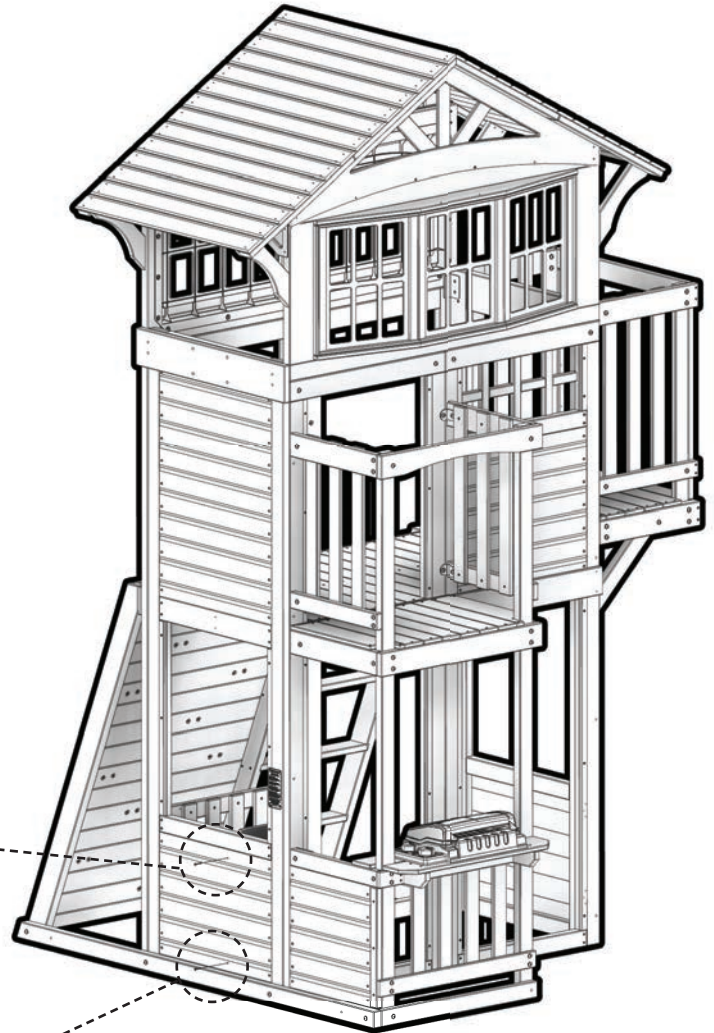
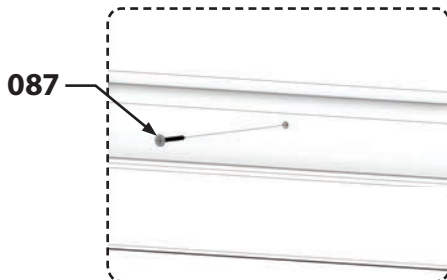
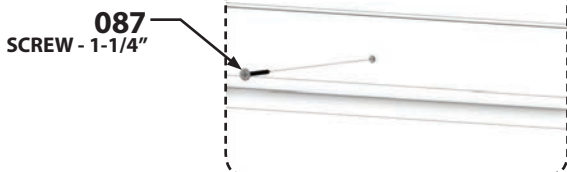
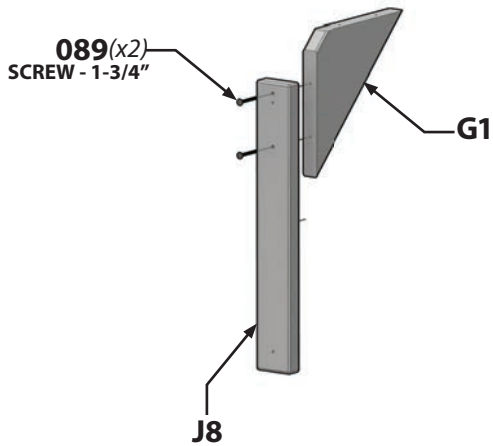
J8 | **BRACE - W4L12472**
 (x1) | 1" x 2-3/8" x 17-1/8" (24 x 60 x 434)

 **H100087** | **SCREW PFH**
 (x2) | 8x1-1/4 - H100087

 **H100089** | **SCREW PFH**
 (x2) | 8x1-3/4 - H100089



ASSEMBLY NOTE:
 PRE-ASSEMBLE 'J8' BRACE TO 'G1' ANGLE BRACE.

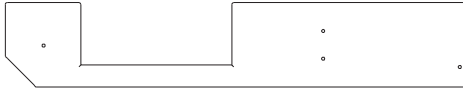


INSIDE VIEW

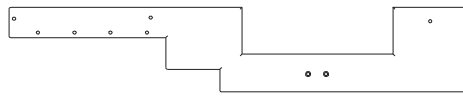


Phase 7

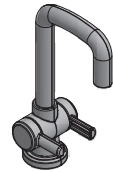
STEP 5



K4 | COUNTER TOP - W4L12465
(x1) 5/8" x 5-1/4" x 28-3/4" (16 x 134 x 730)



K5 | COUNTER TOP - W4L12466
(x1) 5/8" x 5-1/4" x 28-3/4" (16 x 134 x 730)



A6P00333 | FAUCET
(x1) A6P00333



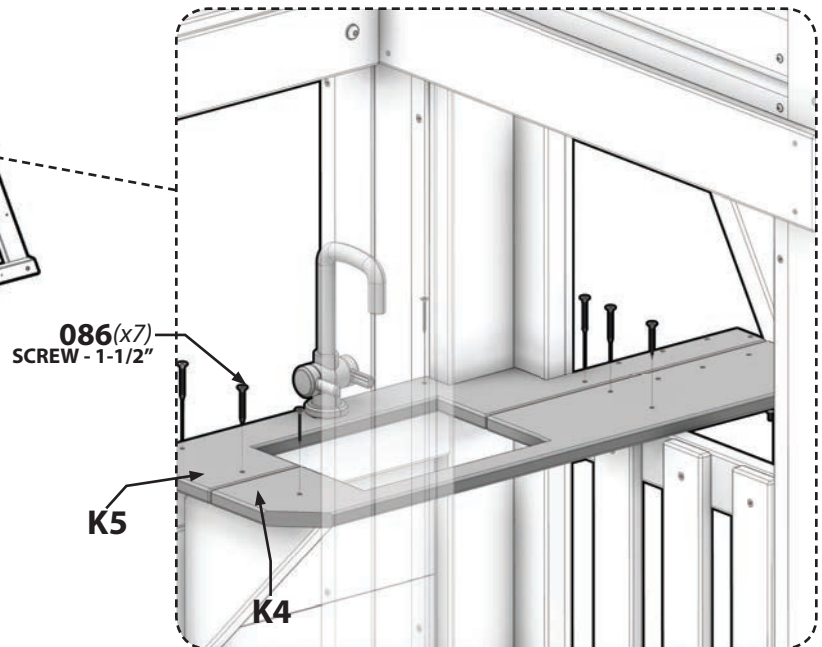
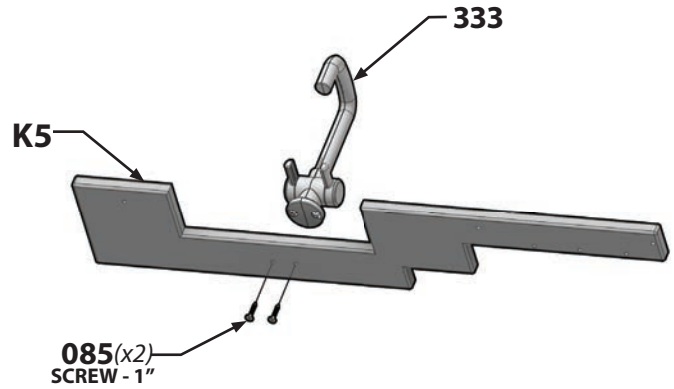
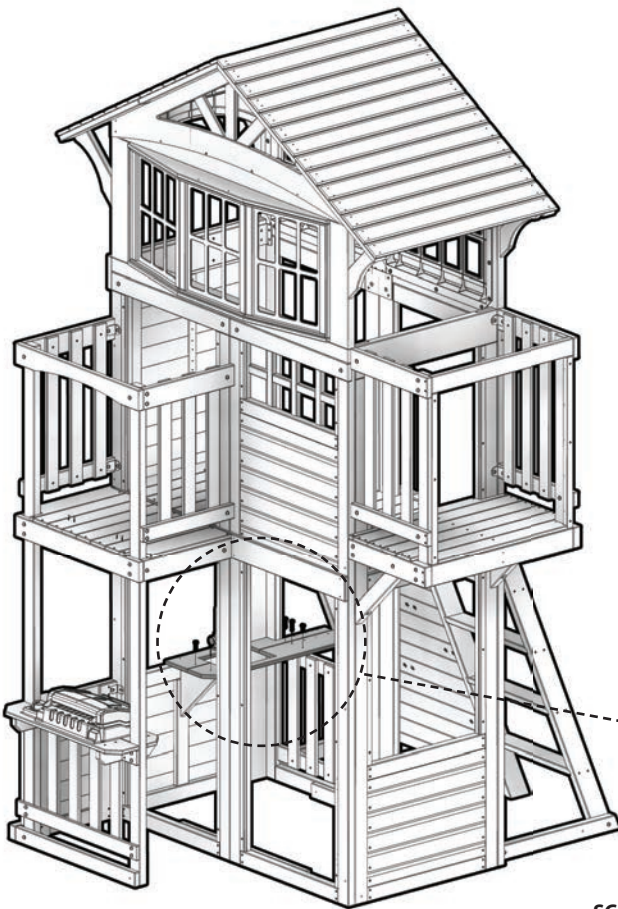
H100085 | SCREW PFH
(x2) 8x1 - H100085



H100086 | SCREW PFH
(x7) 8x1-1/2 - H100086



ASSEMBLY NOTE:
PRE-ASSEMBLE FAUCET TO 'K5' COUNTER TOP.





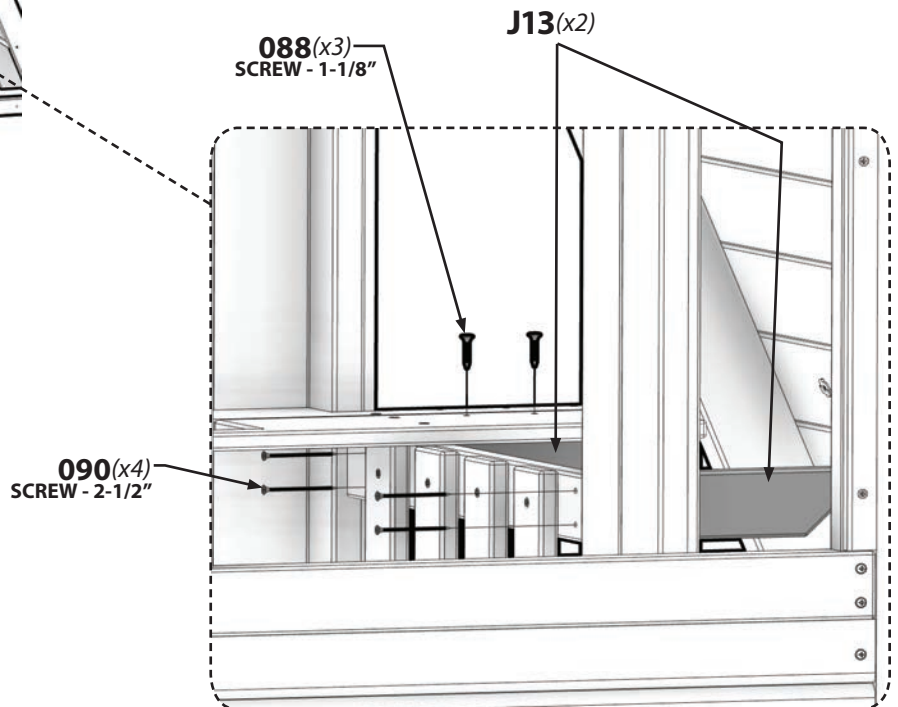
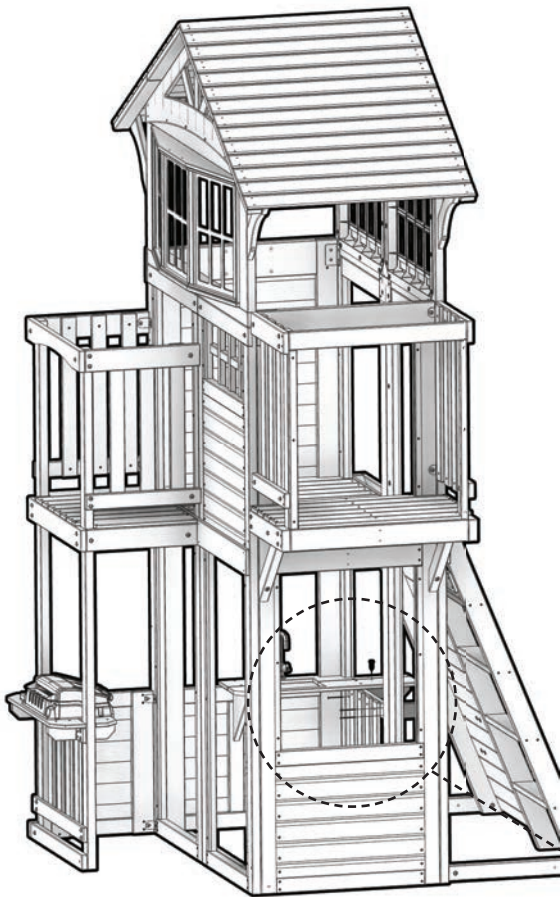
J13 | **BRACE - W4L12474**
(x2) | 1" x 2-3/8" x 7-7/8" (24x60x200)

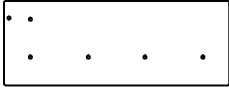


H100088 | **SCREW PFH**
(x3) | 8x1-1/8 - H100088

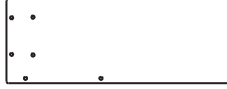


H100090 | **SCREW PFH**
(x4) | 8x2-1/2 - H100090





K6
(x1) | **COUNTERTOP - W4L12467**
5/8" x 5-1/4" x 14-1/8" (16 x 134 x 358)



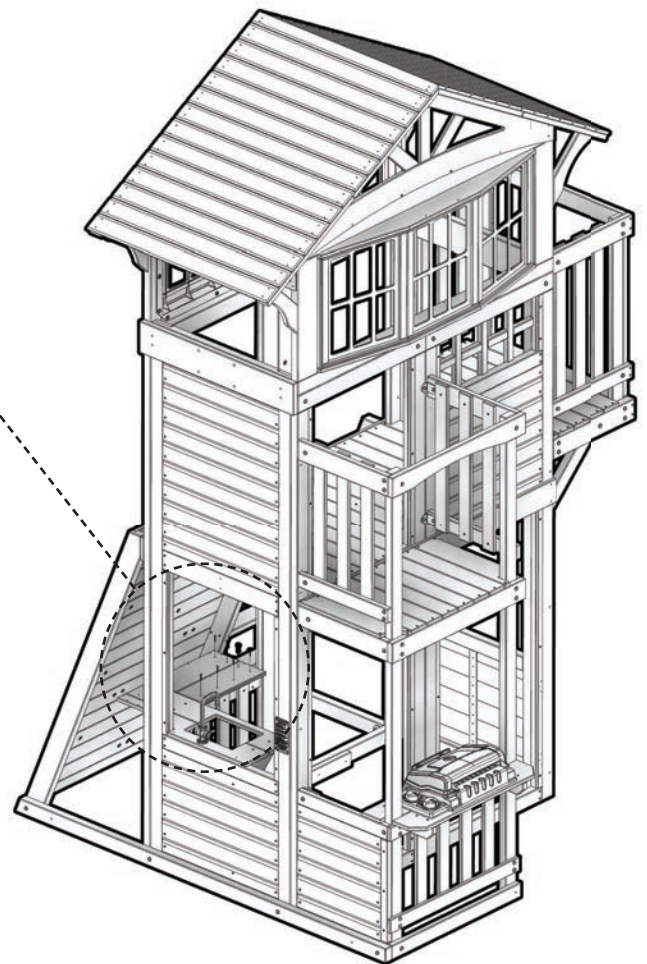
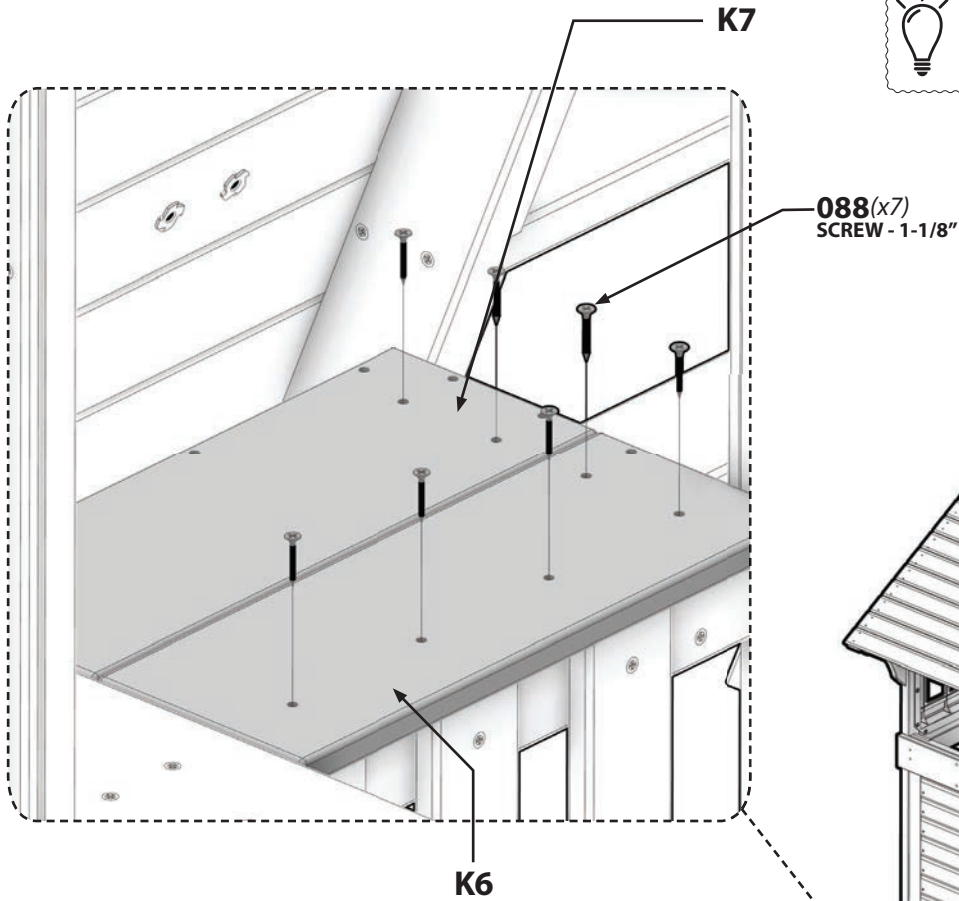
K7
(x1) | **COUNTERTOP - W4L12475**
5/8" x 5-1/4" x 14-1/8" (16 x 134 x 358)



H100088 | **SCREW PFH**
(x7) | 8x1-1/8 - H100088



ASSEMBLY NOTE:
MAKE BOARDS "K6" AND "K7" FLUSH.

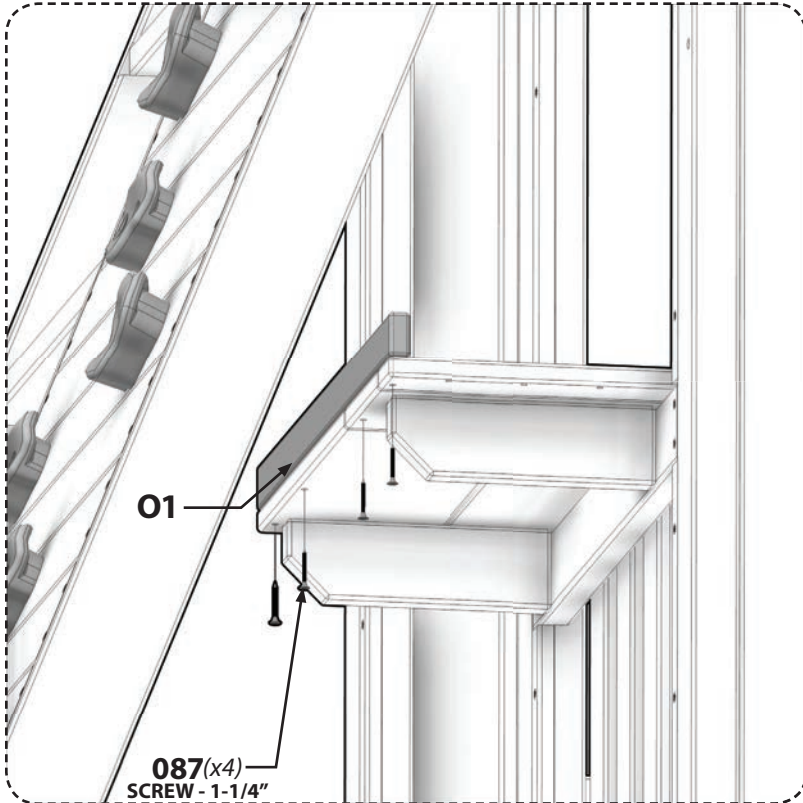




O1 | TRIM - W4L12476
(x1) | 5/8" x 1-3/8" x 21-1/4" (16 x 34 x 540)

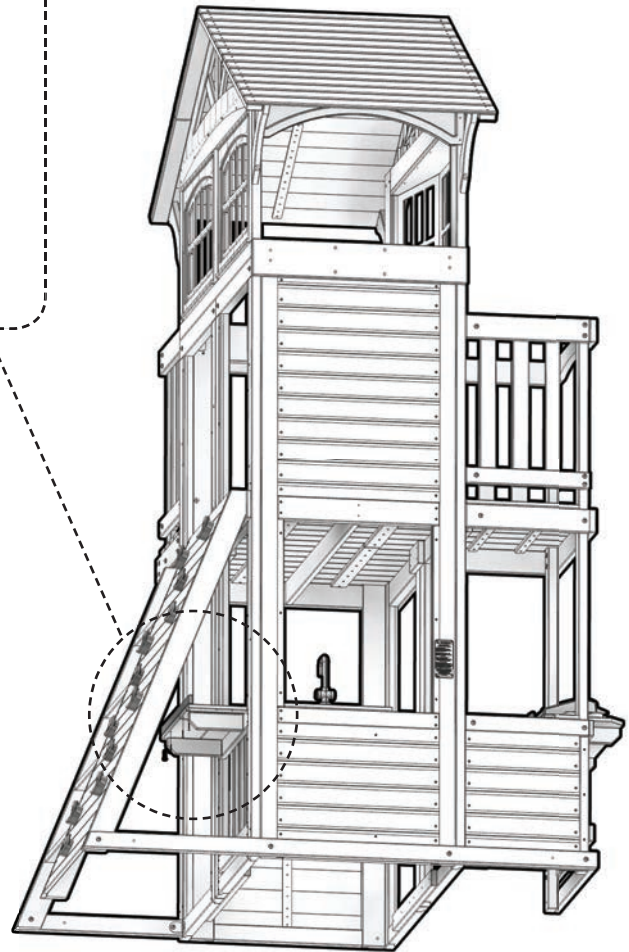


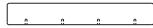
H100087 | SCREW PFH
(x4) | 8x1-1/4 - H100087



O1

087(x4)
SCREW - 1-1/4"

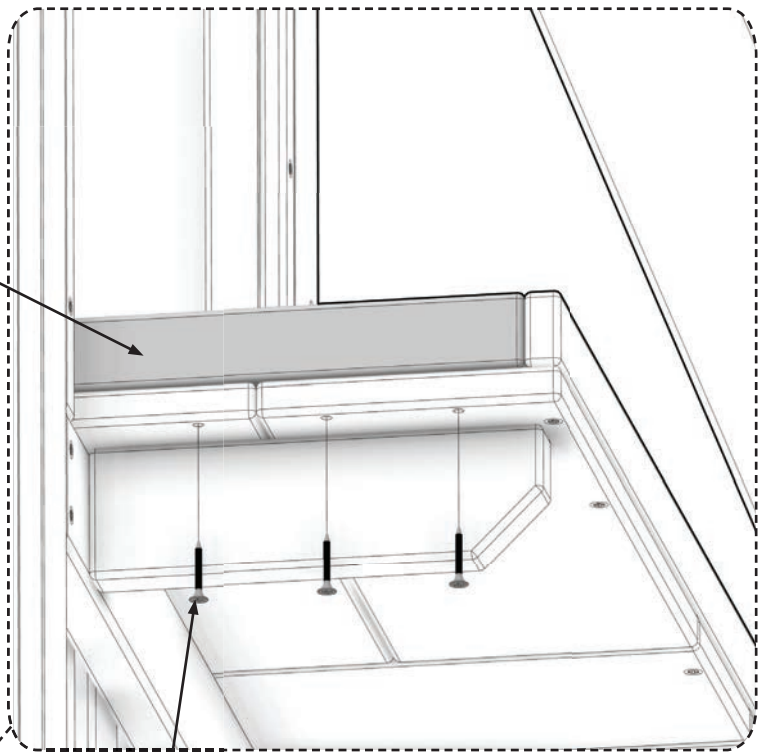
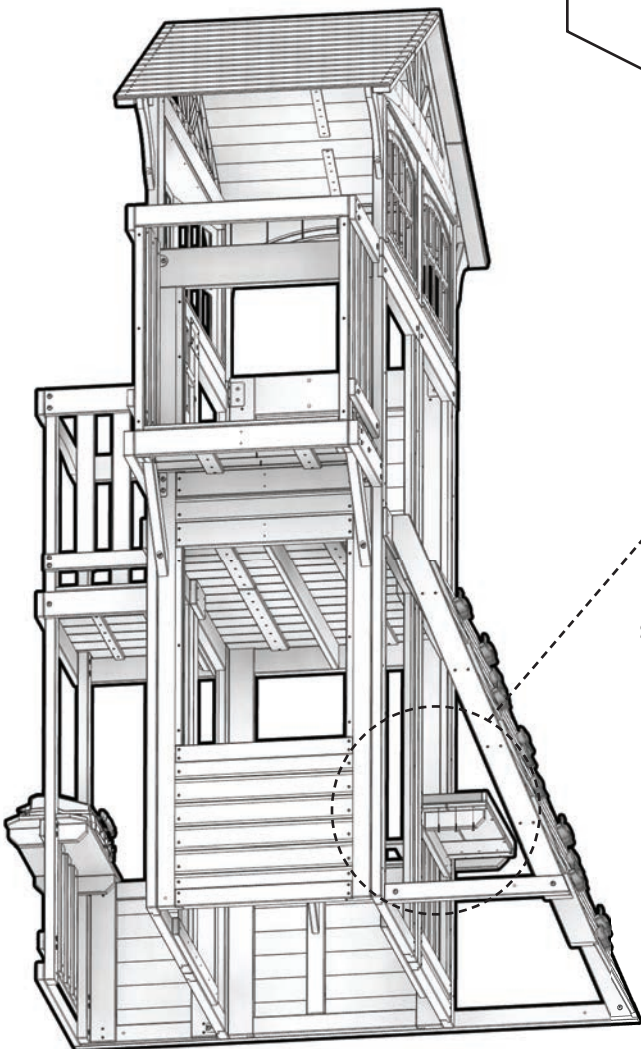




O2 | TRIM - W4L12477
(x1) | 5/8" x 1-3/8" x 9-1/8" (16 x 34 x 233)

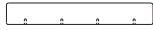


H100087 | SCREW PFH
(x3) | 8x1-1/4 - H100087



O2

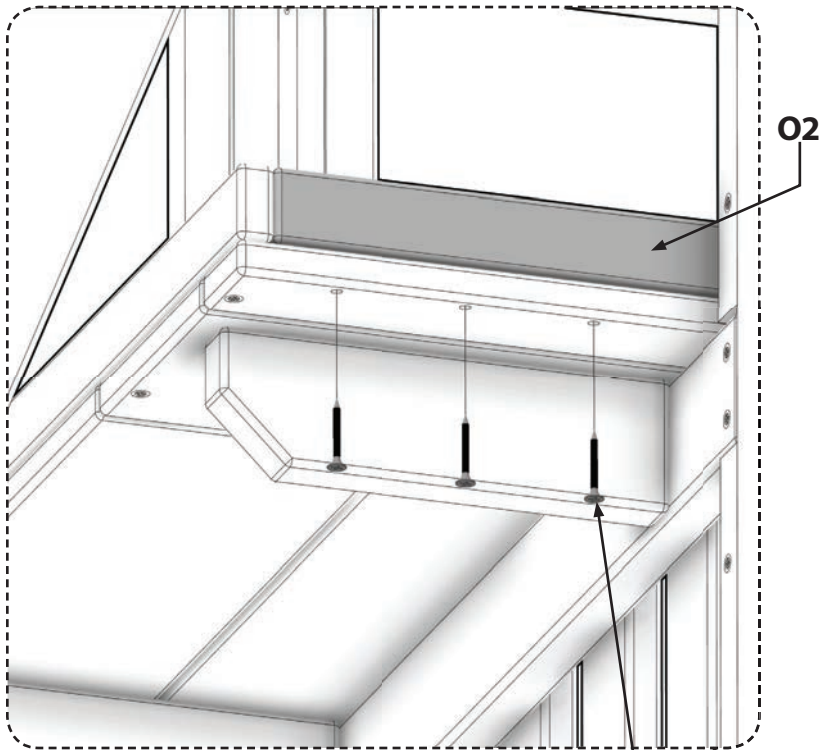
087(x3)
SCREW - 1-1/4"



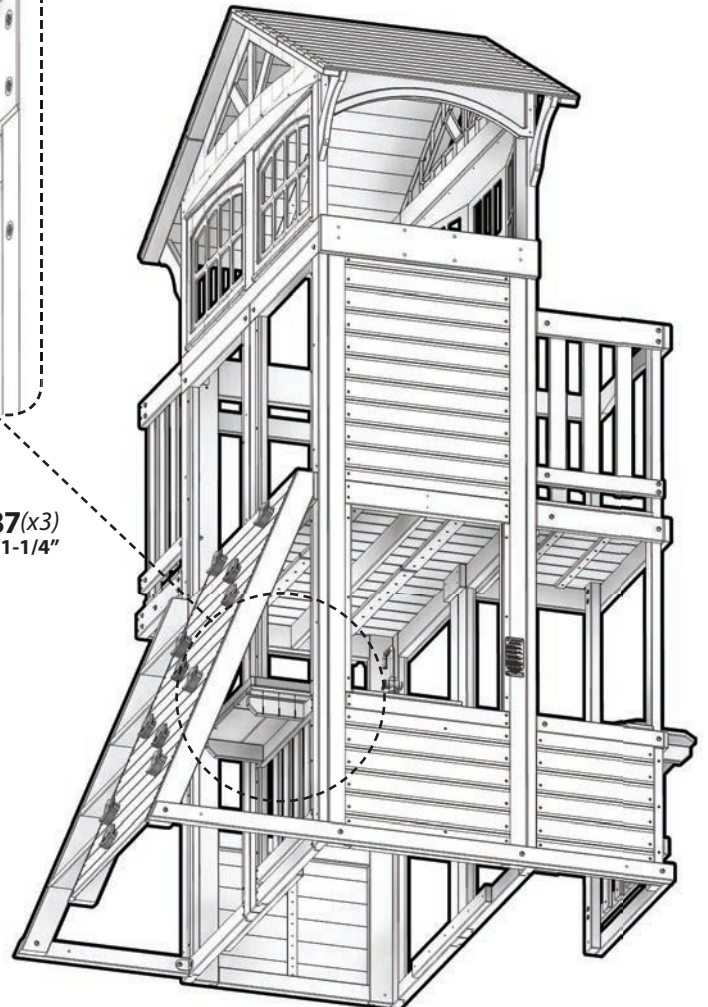
O2 | TRIM - W4L12477
(x1) | 5/8" x 1-3/8" x 9-1/8" (16 x 34 x 233)



H100087 | SCREW PFH
(x3) | 8x1-1/4 - H100087



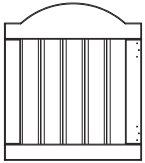
087(x3)
SCREW - 1-1/4"



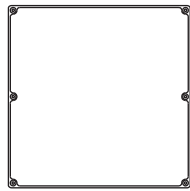


Phase 7

STEP 11



DP1 | **DOOR PANEL - W2A02773**
(x1) 1-1/16" x 20" x 22-15/16" (27 x 508 x 582)



A6P00323 | **CHALK BOARD**
(x1) A6P00323



A100327 | **HINGE, SPRING LOADED**
(x1) A100327



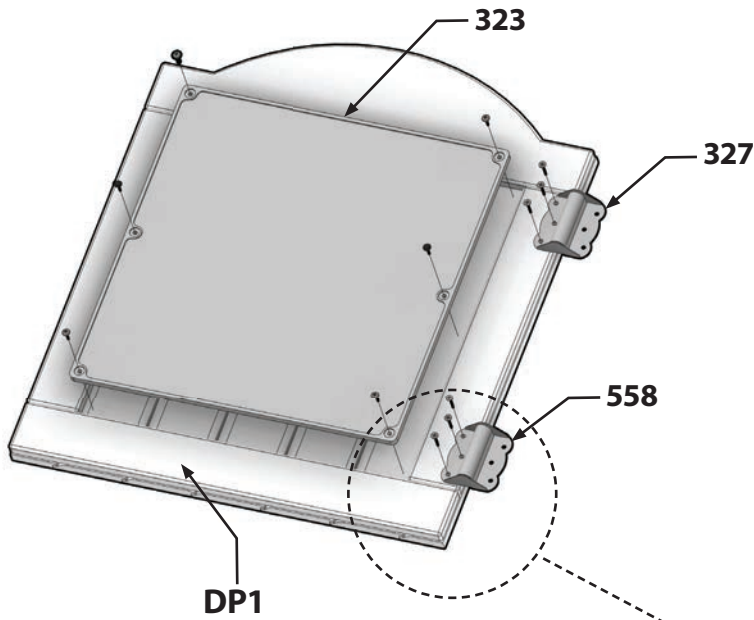
A4M00558 | **HINGE, NON-SPRING LOADED**
(x1) A4M00558



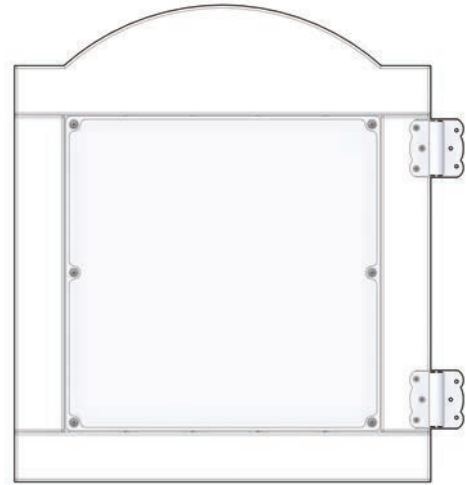
H100202 | **SCREW PWH BLK**
(x6) 8x5/8 - H100202



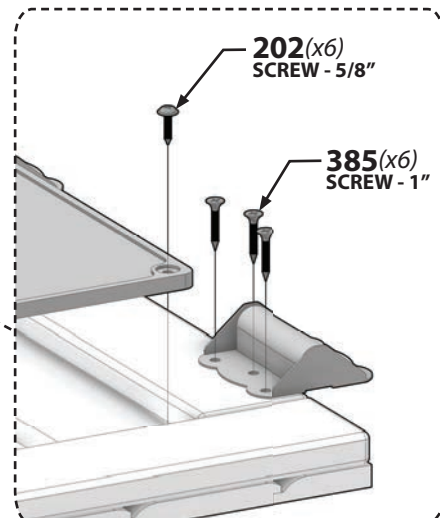
H100385 | **SCREW PFH BLK**
(x6) 8x1 - H100385

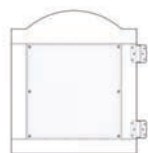


REFERENCE VIEW



DOOR ASSEMBLY

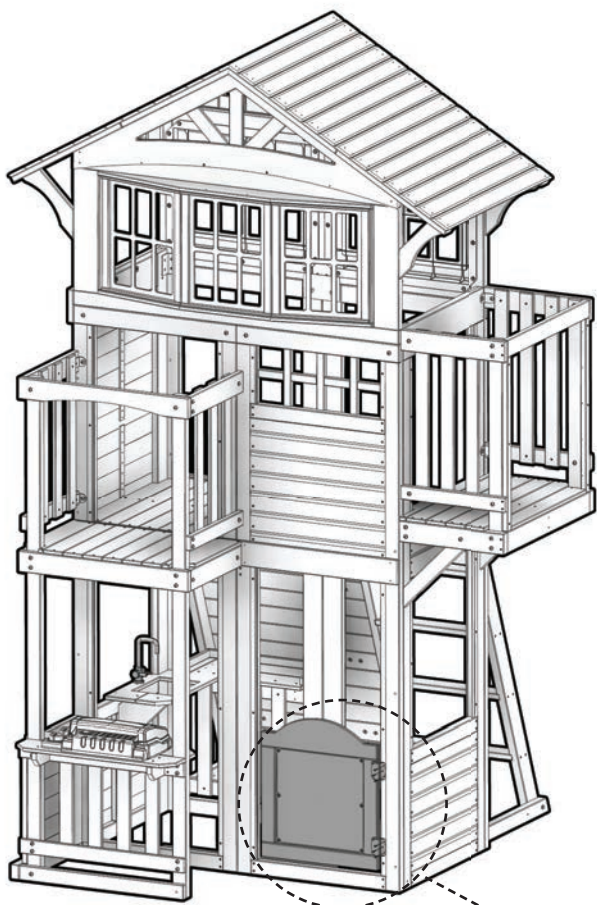




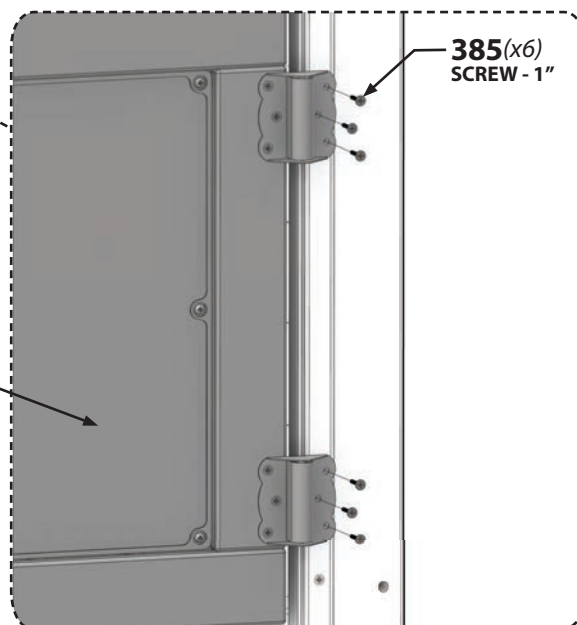
DOOR ASSEMBLY



H100385 | **SCREW PFH BLK**
(x6) | 8x1 - H100385



DOOR ASSEMBLY

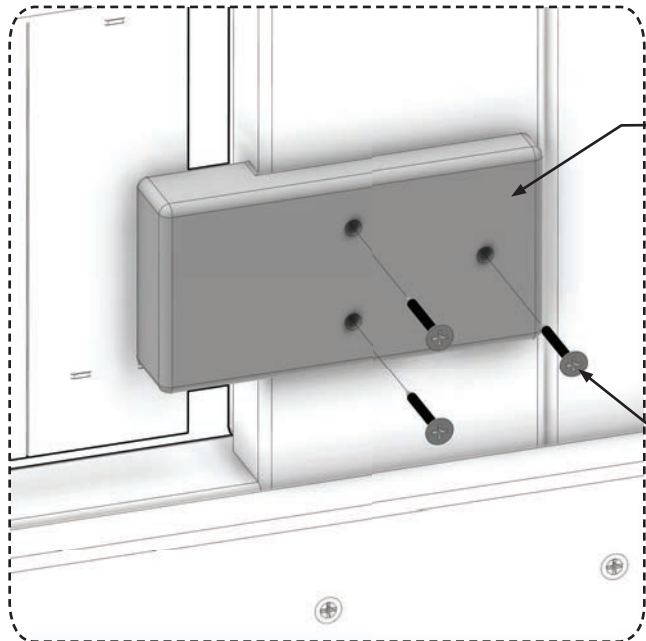
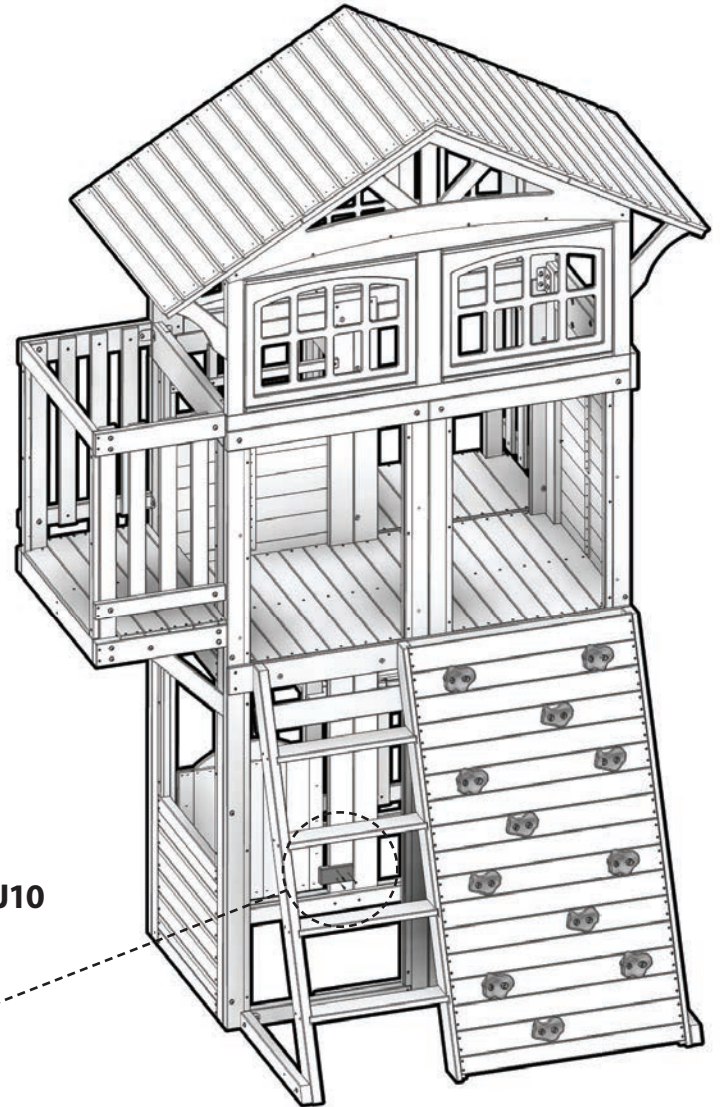




J10 | **DOOR BLOCK - W4L12480**
(x1) | 1" x 2-3/8" x 4-1/2" (24 x 60 x 115)

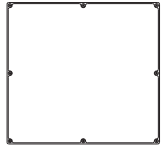


H100088 | **SCREW PFH**
(x3) | 8x1-1/8 - H100088



J10

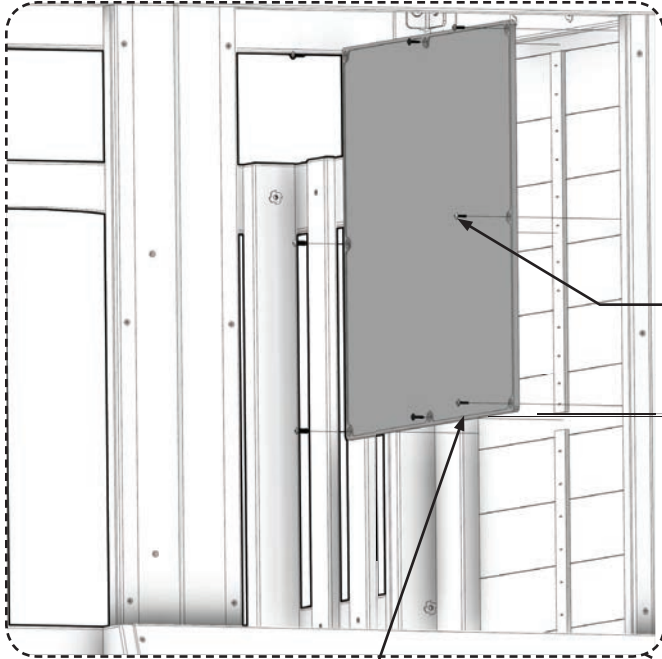
088(x3)
SCREW - 1-1/8"



A6P00324 | CHALK BOARD LARGE
(x1) | A6P00324



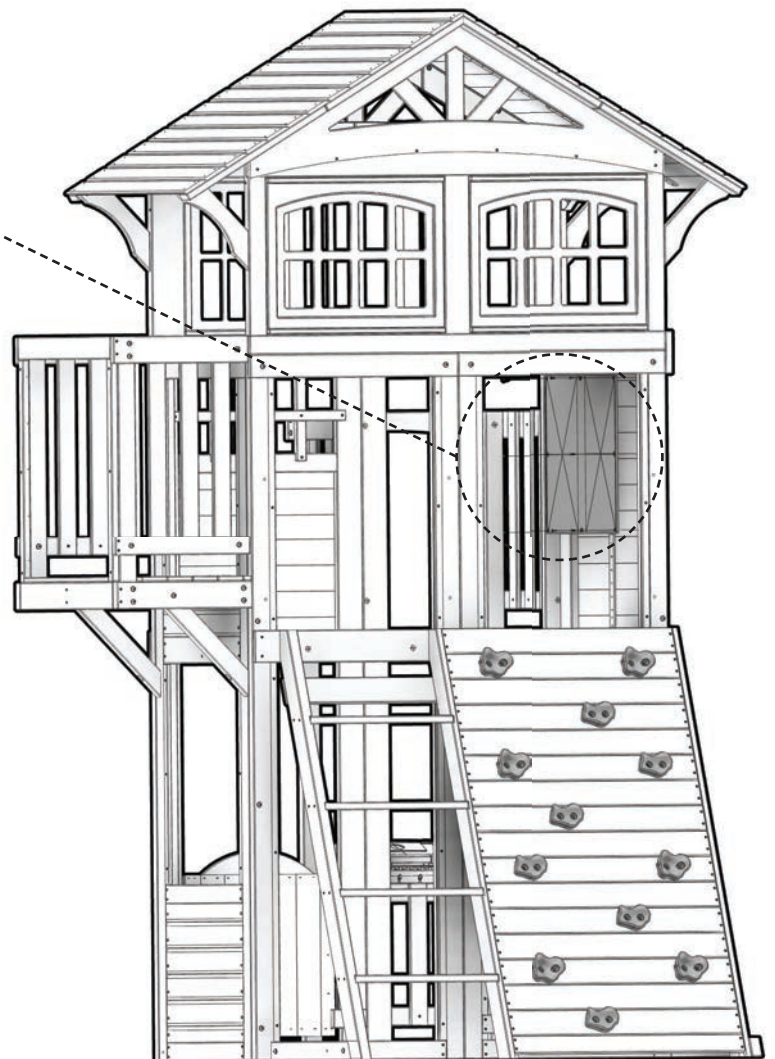
H100202 | SCREW PWH BLK
(x8) | 8x5/8 - H100202



202(x8)
SCREW - 5/8"

3/4" OR 19 mm

324





A4M00554 | BELL ASSEMBLY
(x1) A4M00554

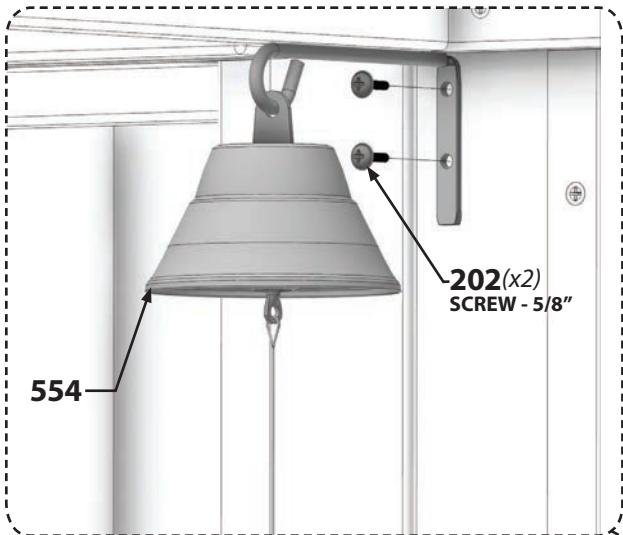


H100202 | SCREW PWH BLK
(x2) 8x5/8 - H100202



ASSEMBLY NOTE:

BELL SHOULD BE PUSHED UP UNDER BOARD "H6".





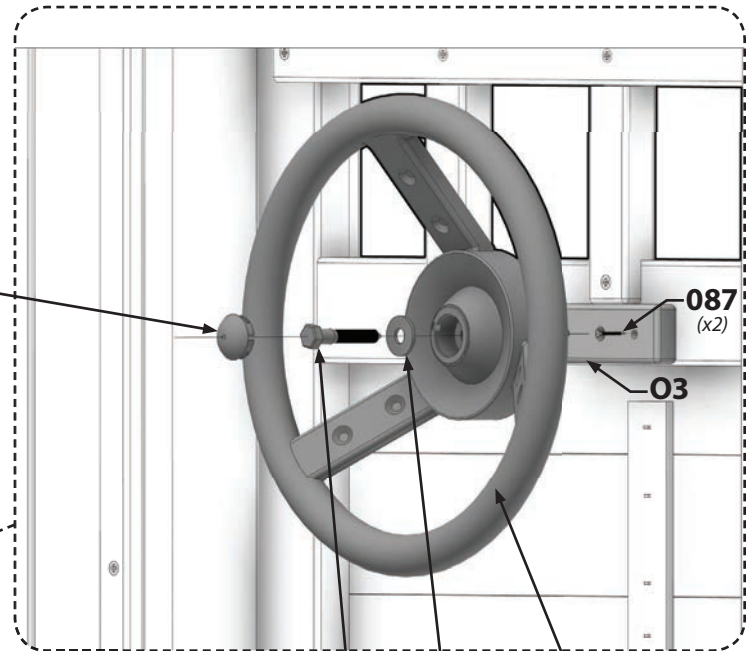
O3 | **BLOCK - W4L12603**
 (x1) | 5/8"x1 3/8"x3 7/8" (16x34x100)



A100107 | **STEERING WHEEL KIT**
 (x1) | A100107



H100087 | **SCREW PFH**
 (x2) | 8x1-1/4 - H100087



LAG SCREW HEX 5/16x2
 (INCLUDED IN KIT)

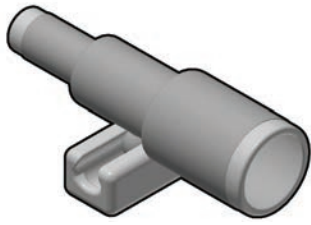
WASHER FLAT 8x12
 (INCLUDED IN KIT)

107



Phase 7

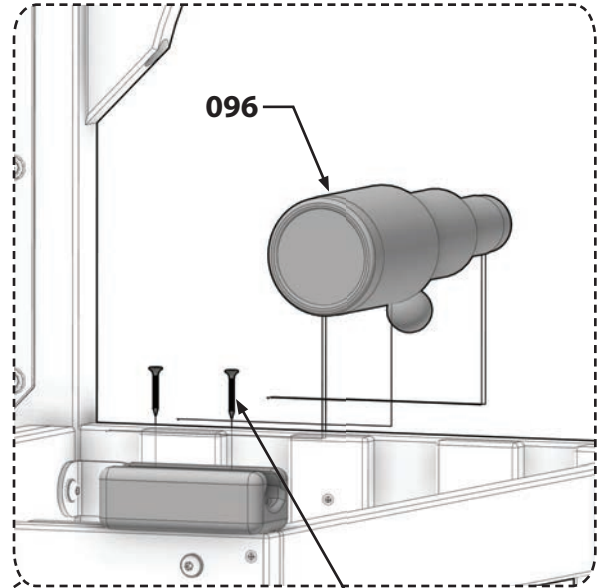
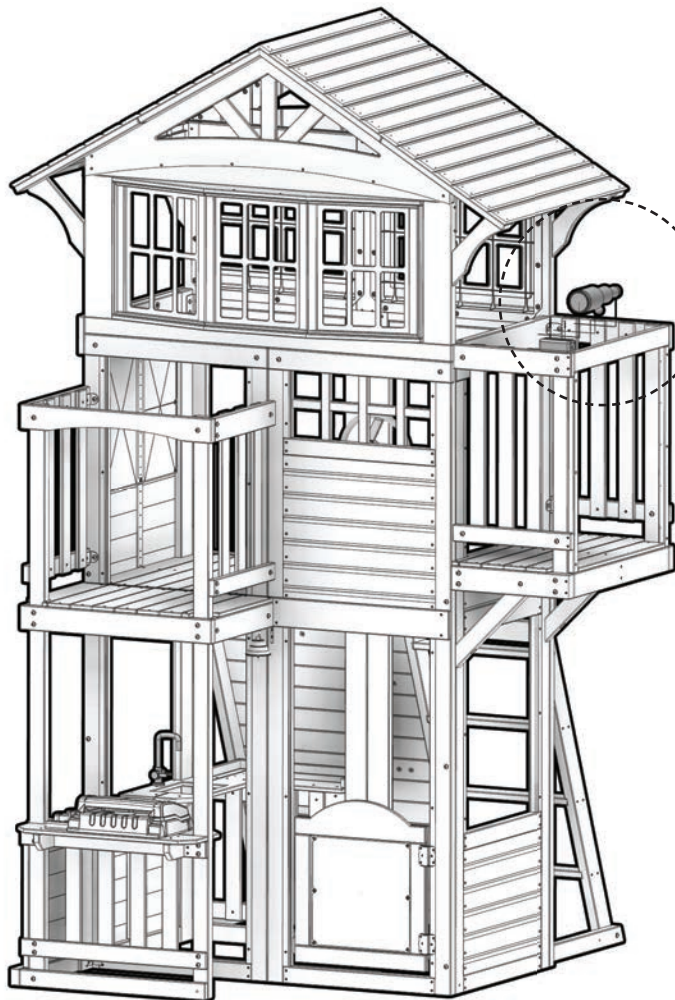
STEP 17



A6P00096 | TELESCOPE
(x1) | A6P00096



H100087 | SCREW PFH
(x2) | 8x1-1/4 - H100087

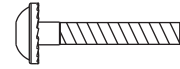


096

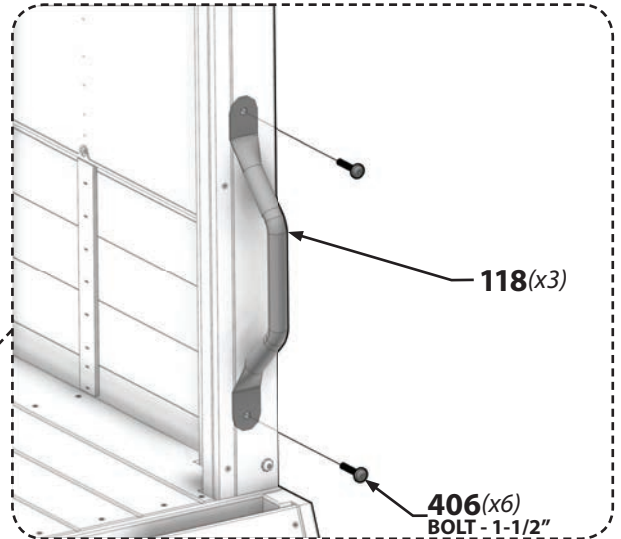
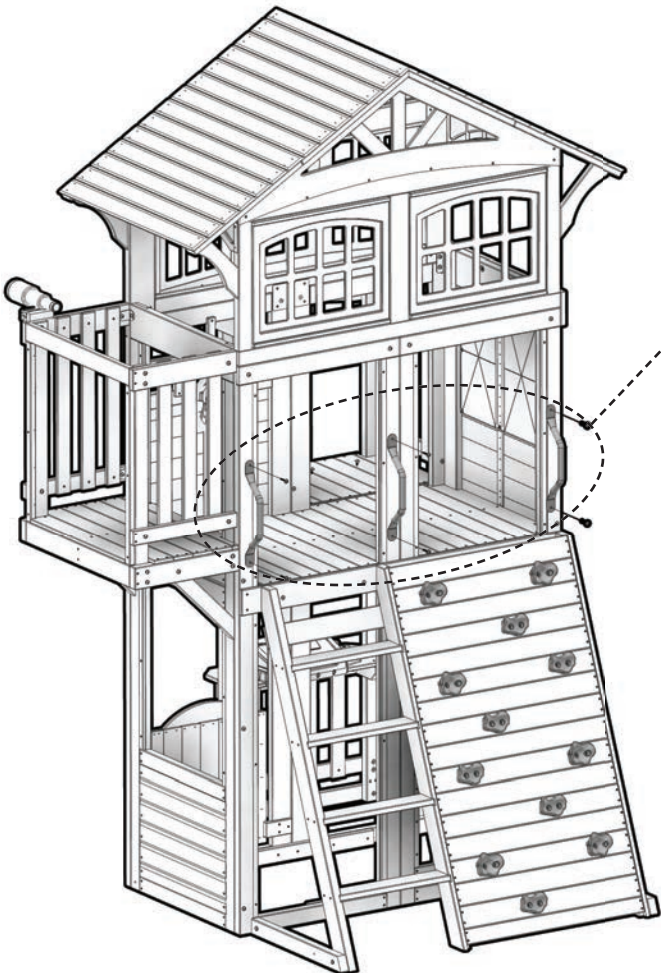
087(x2)
SCREW - 1-1/4"



A100118 | **HAND GRIP**
(x3) | A100118



H100406 | **BOLT WH BLK**
(x6) | 1/4x1-1/2 - H100406

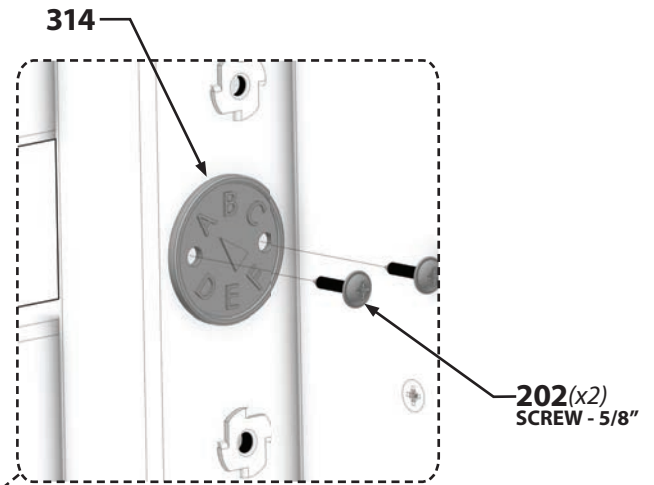
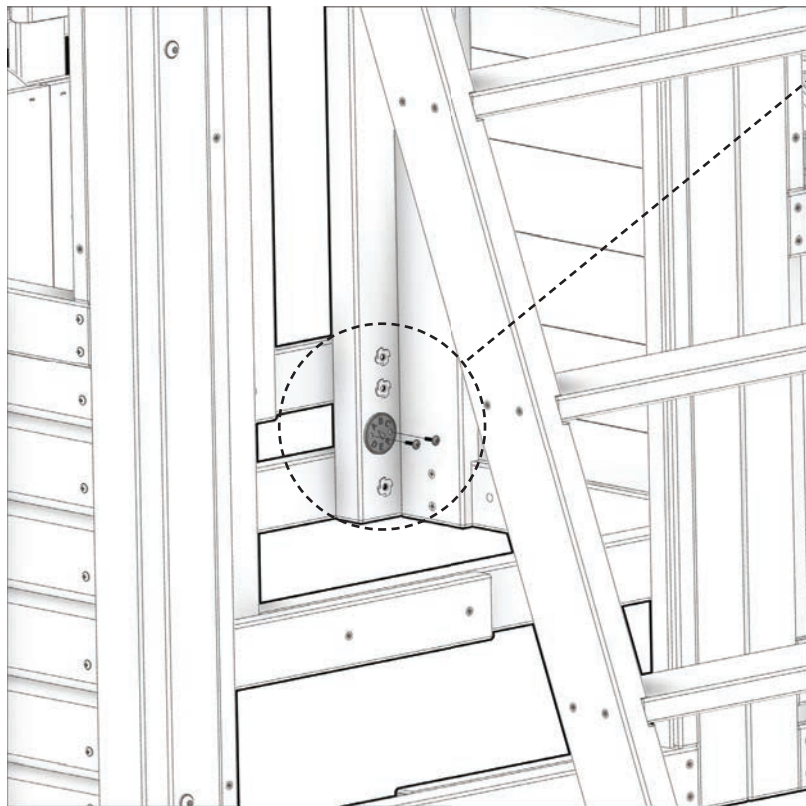


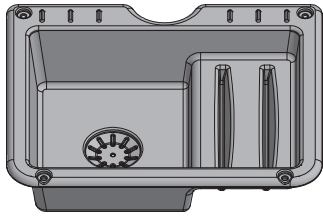


A100314 | 'A' REVISION TAG
(x1) | A100314



H100202 | SCREW PWH BLK
(x2) | 8x5/8 - H100202

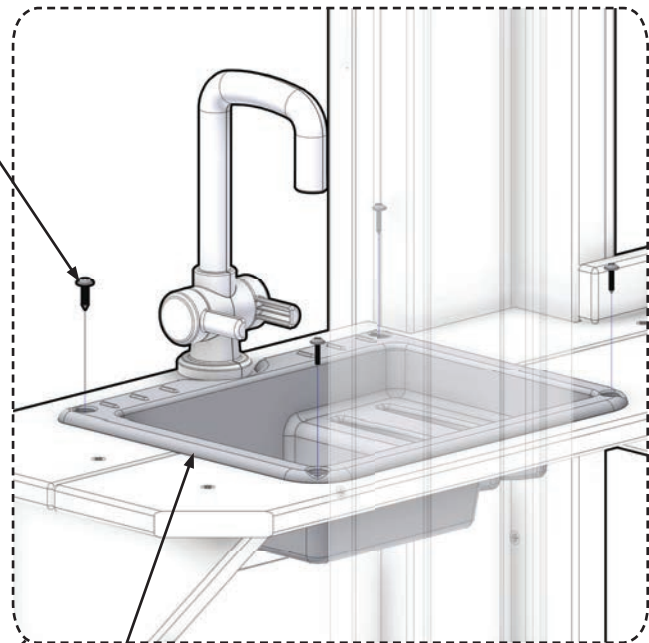
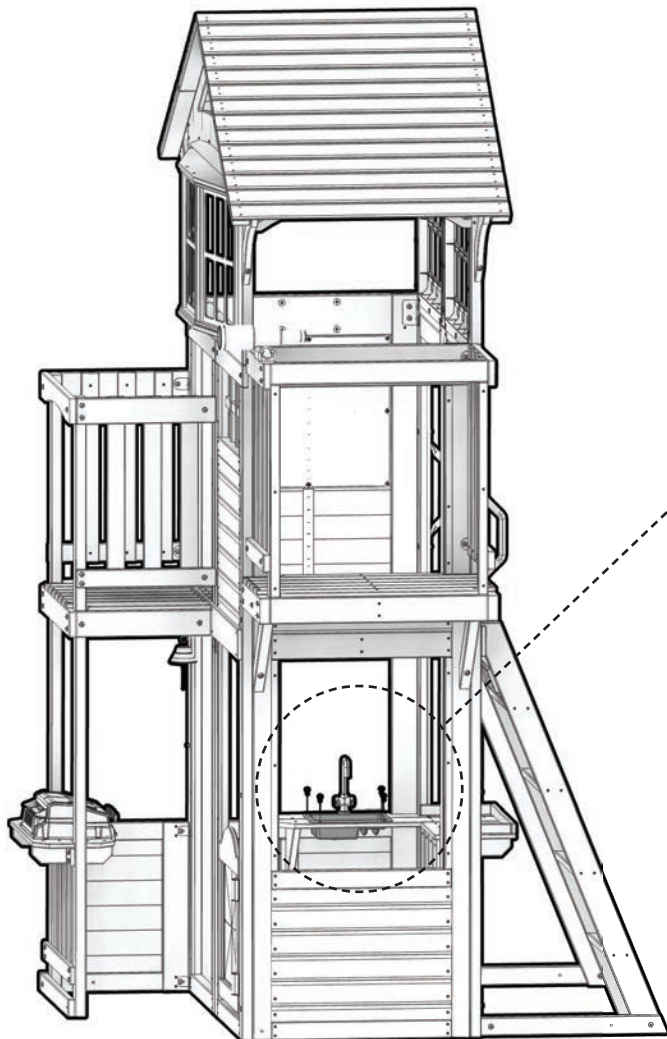




A6P00332 | PREMIUM SINK
(x1) A6P00332

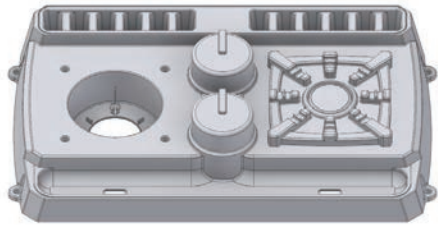


H100202 | SCREW PWH BLK
(x4) 8x5/8 - H100202

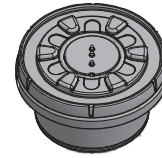


202(x4)
BOLT - 5/8"

332



A6P00335 | STOVE BASE
(x1) A6P00335

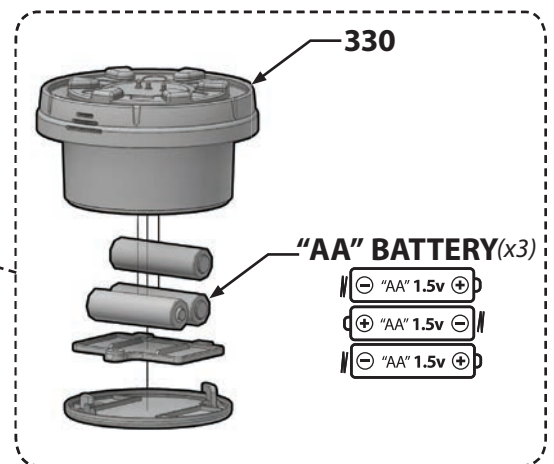
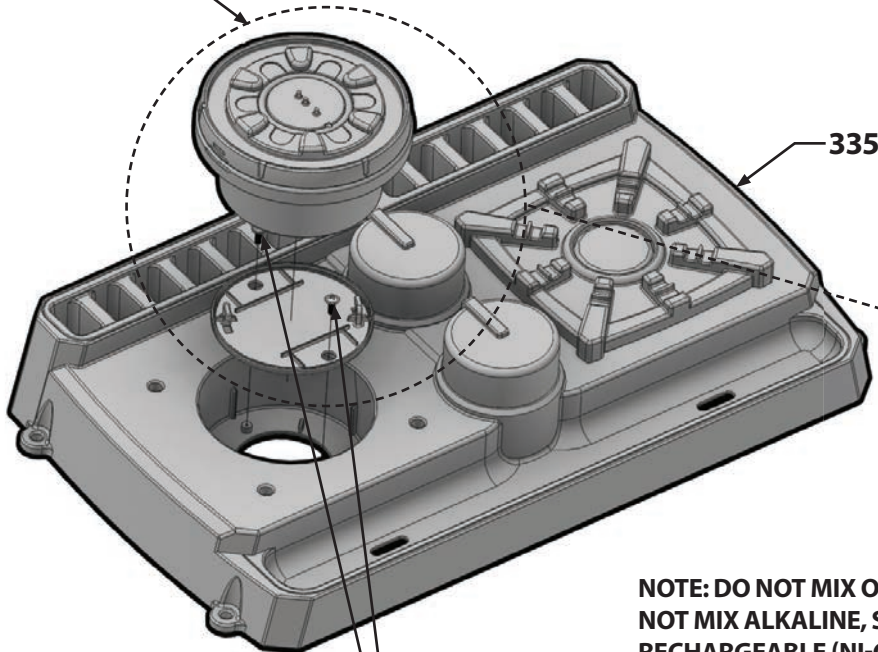


A6P00330 | INDUCTIVE BURNER KIT
(x1) A6P00330

FCC LABEL

NOTE: THIS DEVICE COMPLIES WITH PART 15 OF THE FCC RULES. OPERATION IS SUBJECT TO THE FOLLOWING TWO CONDITIONS: (1) THIS DEVICE MAY NOT CAUSE HARMFUL INTERFERENCE (2) THIS DEVICE MUST ACCEPT ANY INTERFERENCE RECEIVED, INCLUDING INTERFERENCE THAT MAY CAUSE UNDESIRED OPERATION.

**TWIST TO LOCK
IN PLACE.**



NOTE: DO NOT MIX OLD AND NEW BATTERIES AND DO NOT MIX ALKALINE, STANDARD (CARBON-ZINC) OR RECHARGEABLE (NI-CAD, NI-MH, ETC.) BATTERIES.

USE THE #4X5/8" SCREWS INCLUDED WITH STOVE KIT TO ASSEMBLE BOTTOM PLATE OF ROUND INDUCTION BURNER..



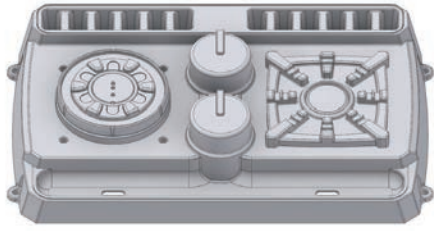
CLASS B DIGITAL DEVICE STATEMENT

Note:

This equipment has been tested and found to comply with the limits for a Class B digital device, pursuant to part 15 of the FCC Rules. These limits are designed to provide reasonable protection against harmful interference in a residential installation. This equipment generates, uses and can radiate radio frequency energy and, if not installed and used in accordance with the instructions, may cause harmful interference to radio communications. However, there is no guarantee that interference will not occur in a particular installation. If this equipment does cause harmful interference to radio or television reception, which can be determined by turning the equipment off and on, the user is encouraged to try to correct the interference by one or more of the following measures:

- Reorient or relocate the receiving antenna.
- Increase the separation between the equipment and receiver.
- Connect the equipment into an outlet on a circuit different from that to which the receiver is connected.
- Consult the dealer or an experienced radio/TV technician for help

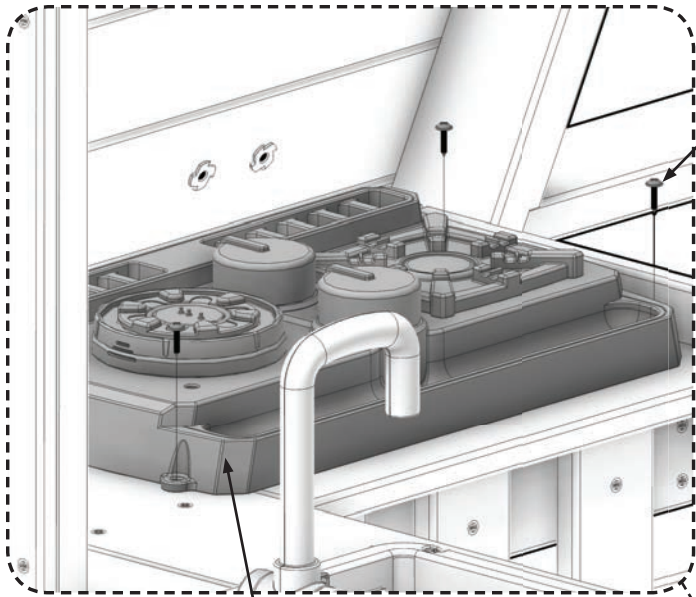
Caution: Changes or modifications not expressly approved by the party responsible for compliance could void the user's authority to operate the equipment.



STOVE ASSEMBLY

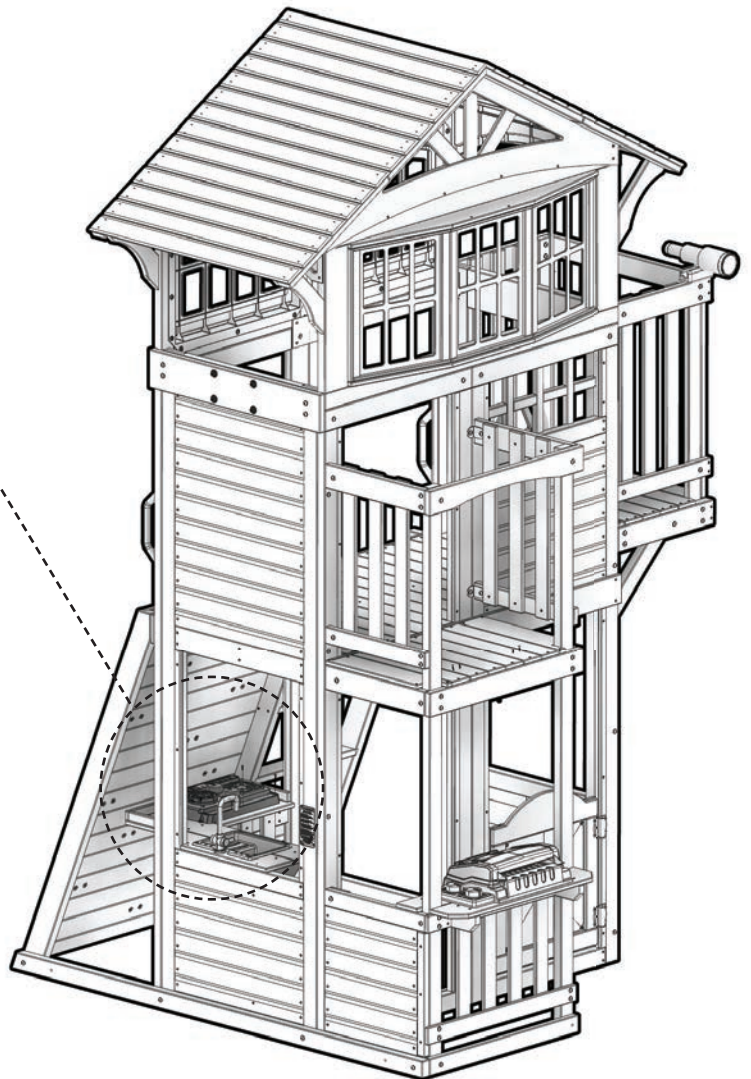


H100202 | SCREW PWH BLK
(x4) | 8x5/8 - H100202



202(x4)
BOLT - 5/8"

STOVE ASSEMBLY





**9198067B
TUBE SLIDE ASSEMBLY**

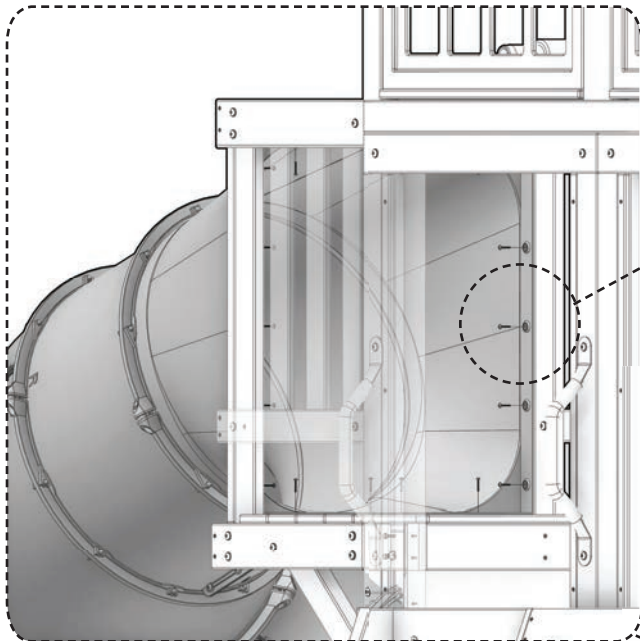


H100785 | **SCREW PWH**
(x18) | 8x1 - H100785



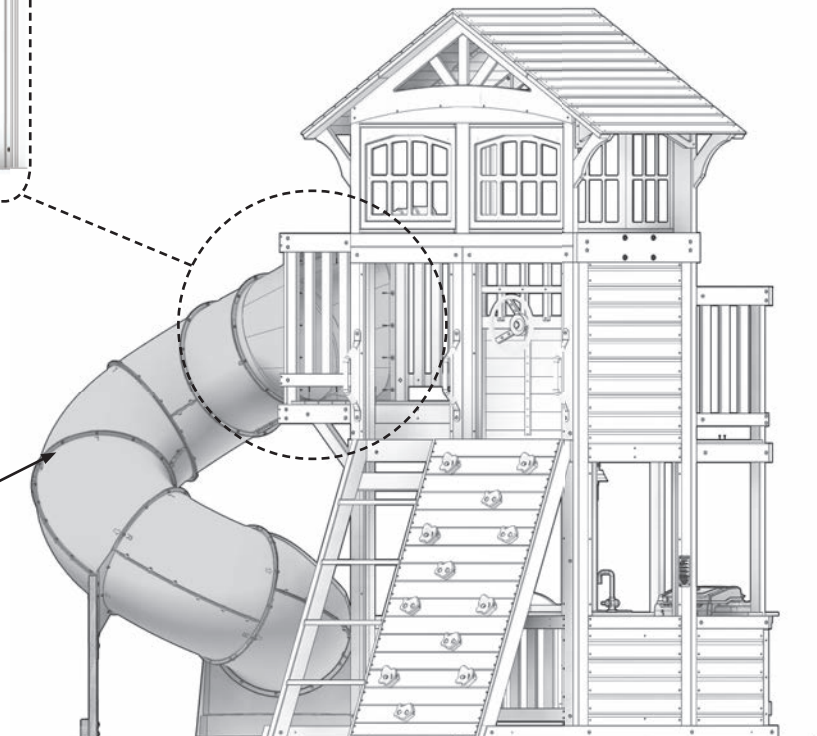
ASSEMBLY NOTE:

FOR ASSEMBLY OF THE TUBE SLIDE, PLEASE REFER TO RIGHT EXIT TUBE SLIDE MANUAL.



**785(x18)
SCREW-1"**

**9198067B
TUBE SLIDE ASSEMBLY**





Phase 8

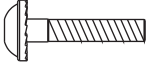
STEP 1



070 | SLIDE MOUNTING BOARD - W102822
(x1) 5/8" x 1-3/8" x 20-3/8" (16 x 34 x 517)



A100287 | SLIDE VF 10FT
(x1) A100287



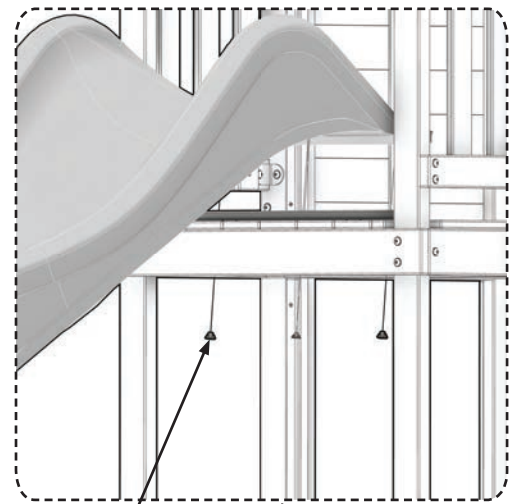
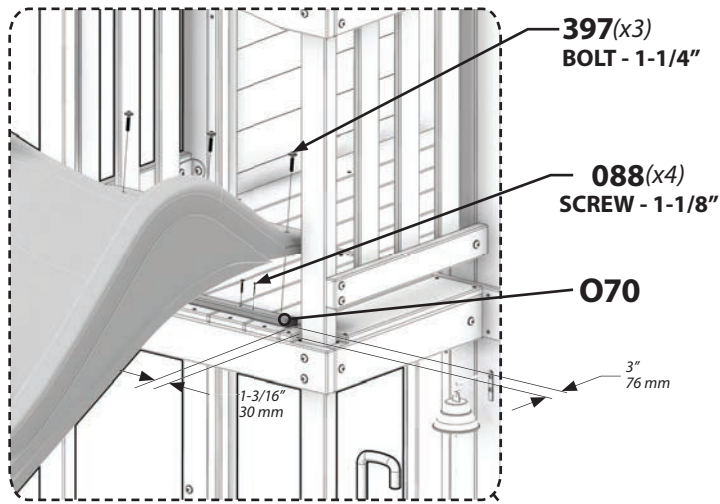
H100397 | BOLT WH BLK
(x3) 1/4x1-1/4 - H100397



H100088 | SCREW PFH
(x4) 8x1-1/8 - H100088



H100398 | T-NUT BLK
(x3) 1/4 - H100398

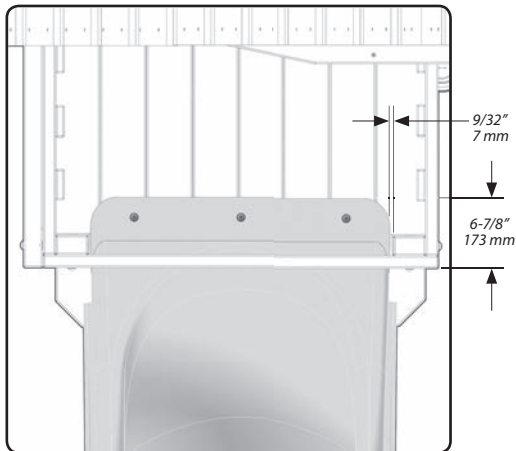


398(x3)
T-NUT - 1/4"

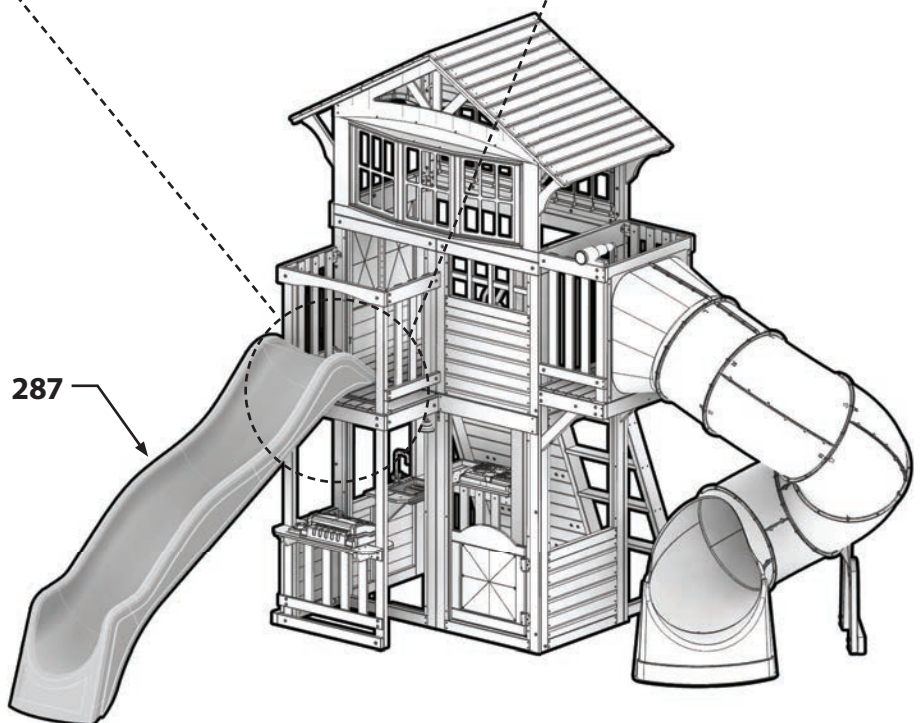


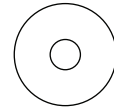
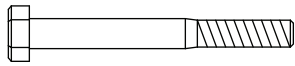
ASSEMBLY NOTE:

USE HOLES IN SLIDE AS GUIDE FOR A 3/8" DRILL BIT FOR BOLT AND T-NUT.



SLIDE LOCATION

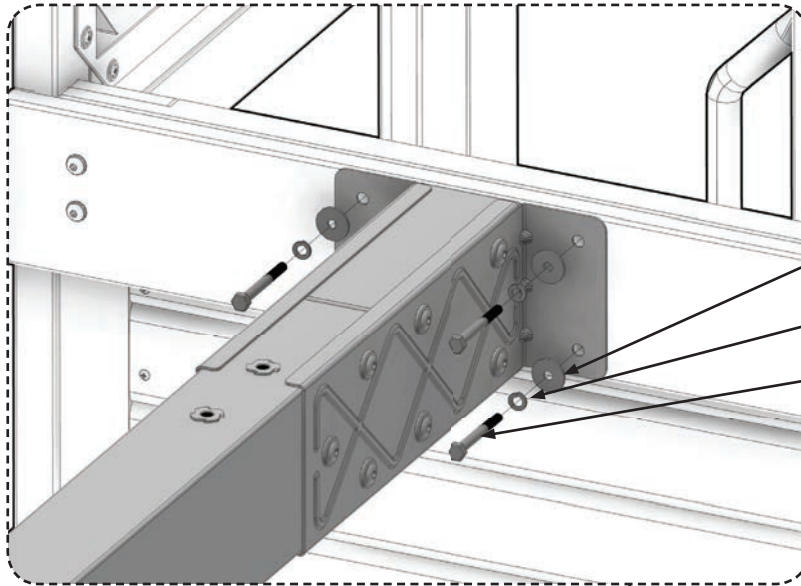




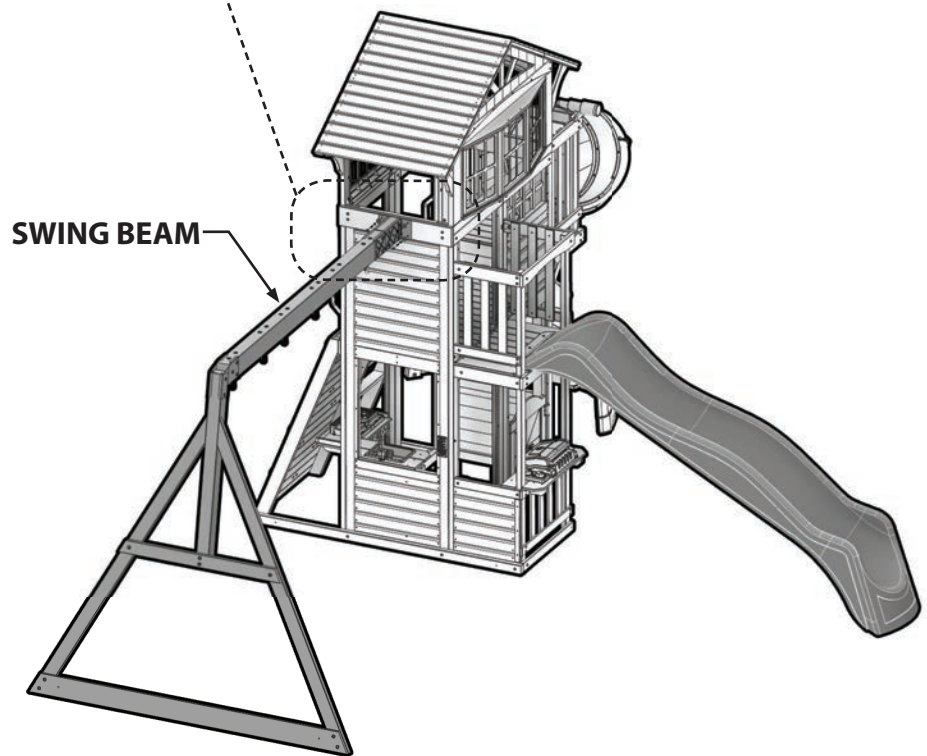
H100658 | BOLT HEX BLK
(x4) | 5/16x2-1/4 - H100658

H100477 | WASHER SPLIT BLK
(x4) | 5/16 - H100477

H100478 | WASHER FLAT BLK
(x4) | 8x27 - H100478



478(x4)
WASHER 8x27
477(x4)
WASHER SPLIT 5/16
658(x4)
BOLT - 2-2/4





Phase 9

STEP 2



A100069 | QUICK LINK
(x6) | A100069



A6P00034 | TRAPEZE
(x1) | A6P00034



A6P00054 | SWING SEAT GREEN 22"
(x2) | A6P00054



A100164 | BYD ID TAG
(x1) | A100164



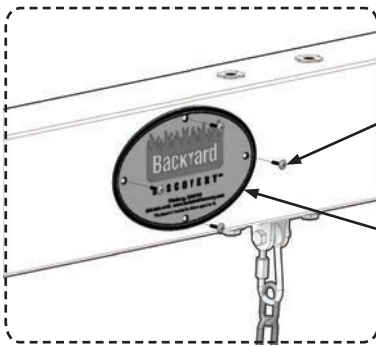
A100177 | CHAIN GREEN 31"
(x2) | A100177



A100047 | CHAIN GREEN 57"
(x4) | A100047

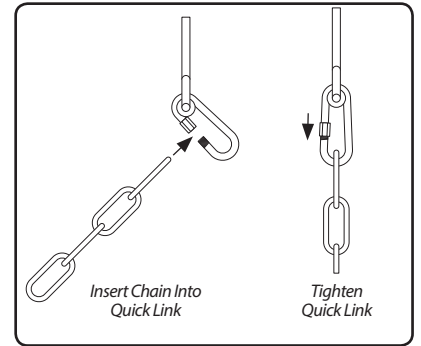


H100202 | SCREW PWH BLK
(x4) | 8x5/8 - H100202



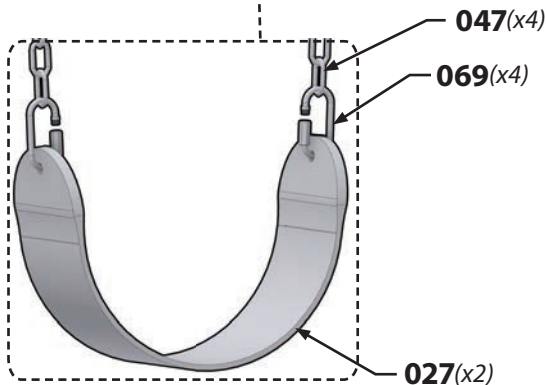
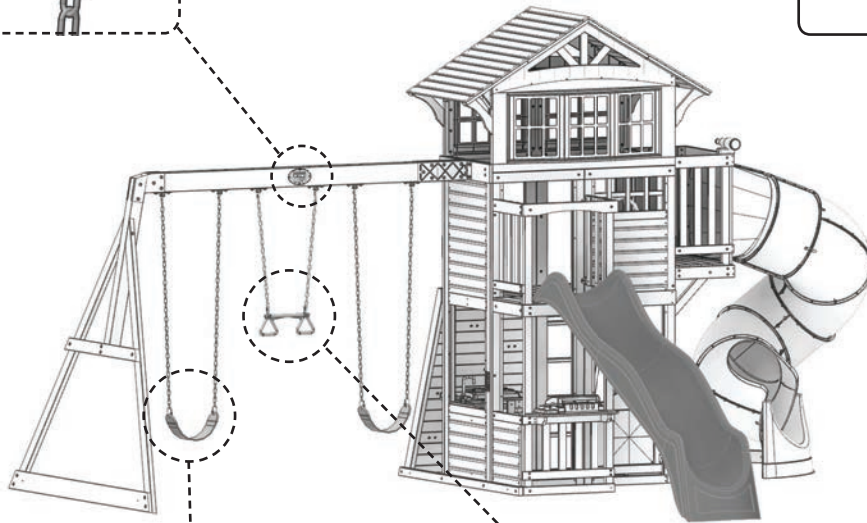
202(x4)
SCREW 5/8

164



Insert Chain Into Quick Link

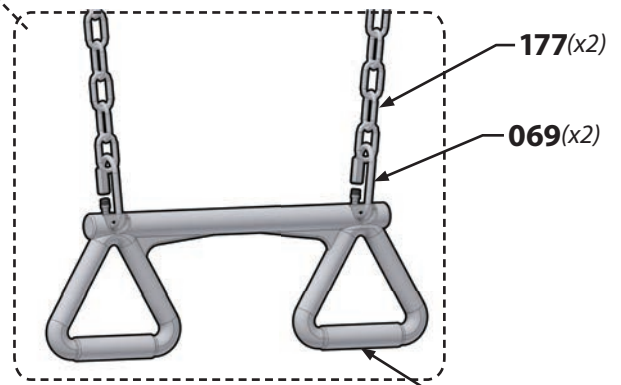
Tighten Quick Link



047(x4)

069(x4)

027(x2)



177(x2)

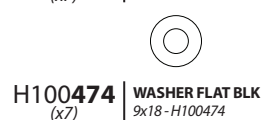
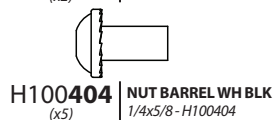
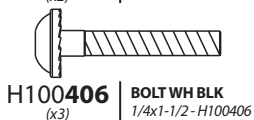
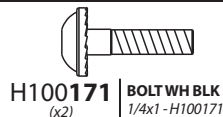
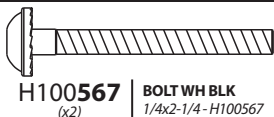
069(x2)

034



Phase 10

STEP 1



WARNING
FAILURE TO USE GROUND STAKES CAN VOID WARRANTY & CAUSE INJURY!

