



MANUFACTURED BY:
Backyard Discovery
3305 Airport Drive, Pittsburg, KS 66762
800-856-4445

Basepoint Business Centre: Rivermead Drive, Westlea, Swindon SN5 7EX Phone: 0800-118-2476
J.P. Coenstraat 7, The Bridge, The Hague, 2595 WP, Netherlands Phone: 0800-567-8990

CANYON CREEK CEDAR HAVEN Swing Set

Model # 1803022B, 2300026B, & 2200272B

The assembly manual must be retained
since it contains important information



WARNING

Adult Assembly Required.

Not suitable for children under 36 months due to small parts.
FOR DOMESTIC USE ONLY. INTENDED FOR OUTDOOR USE.



Please visit www.backyarddiscovery.com

For the most up to date assembly manual, to register your set, or to order replacement parts

Para obtener instrucciones en español, visite www.backyarddiscovery.com



**EASY STEP-BY-STEP
3D INTERACTIVE INSTRUCTIONS**

DOWNLOAD THE FREE APP



Made in China

INS-1803022B-A-CANYON CREEK-ENG 01-23-24
INS-2300026B-A-CANYON CREEK-ENG 01-23-24
INS-2300272B-A-CEDAR HAVEN-ENG 01-23-24

Owner's Manual - Basic Setup Dimensions & Assembly Notes

Place the set on level ground, not less than 6'-7" [2 m] from any structure or obstruction such as a fence, garage, house, overhanging branches, laundry lines, or electrical wires.

- While assembling unit, take time before and after each phase to make sure fort is level. If fort is not level, assembly will be difficult and improper assembly may result. Extra care must be taken to insure the fort is square.
- The safe play area refers to a zone extending 6'-7" (2 m) beyond the play product on all sides, including the space above the play product.

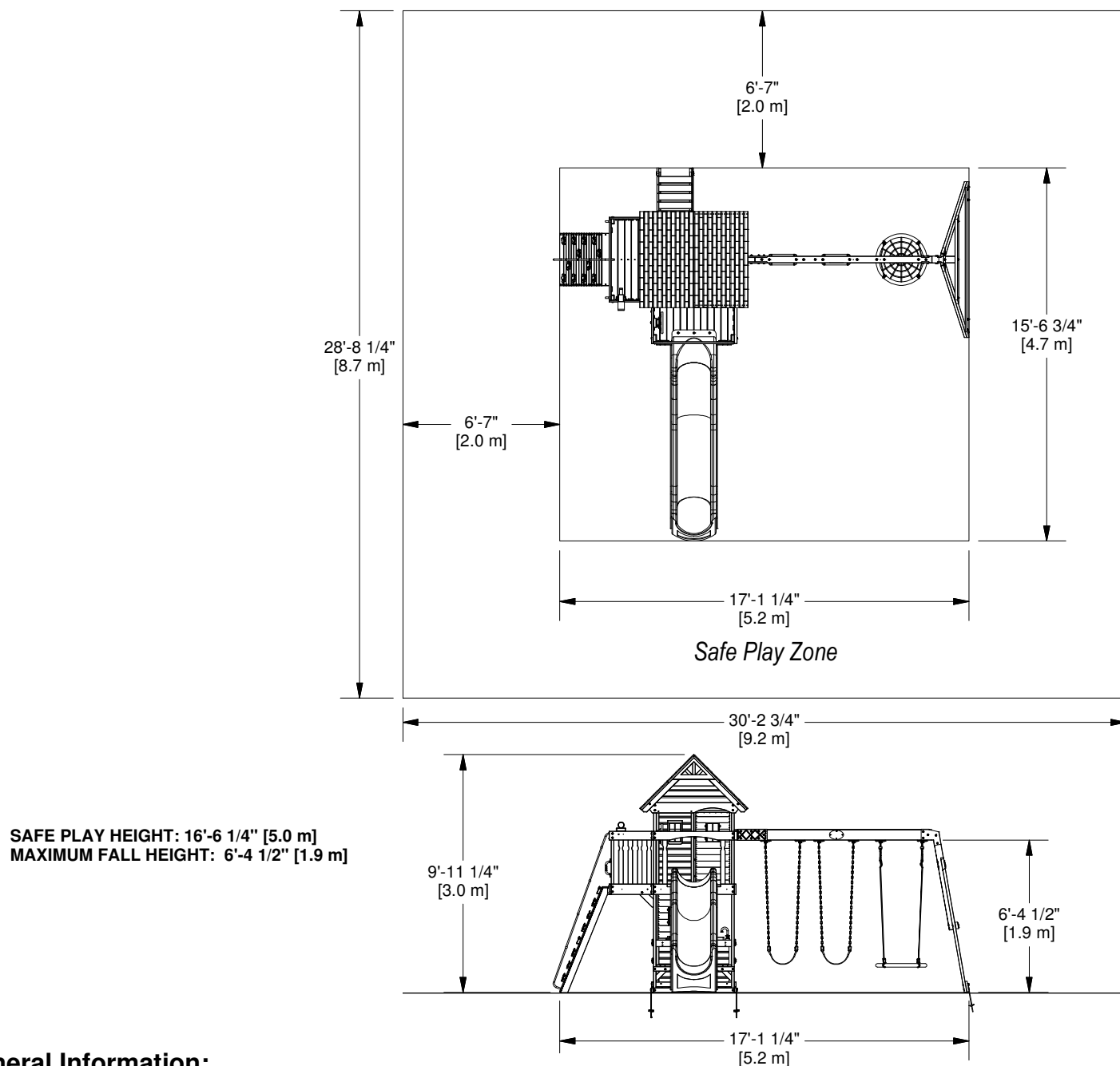
SAFE PLAY AREA DIAGRAM

Ground Dimensions

15'-6 3/4" [4.7 m] x 17'-1 1/4" [5.2 m]

Safe Play Area

28'-8 1/4" [8.7 m] x 30'-2 3/4" [9.2 m] x 16'-6 1/4" [5.0 m]



General Information:

Your set has been designed and engineered for children only and for residential use only.
 A maximum of 150 lbs. per child is recommended for play activities designed for individual use.
 A maximum of 120 lbs. per child is recommended for play activities designed for multiple child use.
 A maximum of 9 children is recommended for this swing set.

Owner's Manual - Parts Identification

Wood Components (Not to Scale)



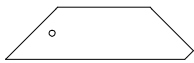
A1 SWING BEAM EXTENDED - W4L17819
(x1) 3 3/8"x5 1/4"x89 1/2" (86x134x2274)



A2 SB 9" BLOCK - W4L17820
(x1) 3 3/8"x5 1/4"x9" (86x134x228)



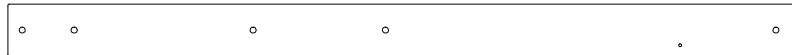
D1 SWING BEAM MOUNT - W4L17652
(x1) 1 3/8"x5 1/4"x62 3/8" (36x134x1585)



E1 DECK BRACE - W4L17821
(x4) 1 3/8"x3 3/8"x12 1/4" (36x86x311)



E2 LEFT REAR UPRIGHT - W4L17823
(x1) 1 3/8"x3 3/8"x51 3/4" (36x86x1314)



E3 LEFT FRONT UPRIGHT - W4L17824
(x1) 1 3/8"x3 3/8"x51 3/4" (36x86x1314)



E4 RIGHT FRONT UPRIGHT - W4L17825
(x1) 1 3/8"x3 3/8"x51 3/4" (36x86x1314)



E5 RIGHT FRONT BALCONY UPRIGHT - W4L17826
(x1) 1 3/8"x3 3/8"x80 3/4" (36x86x2052)



E6 LEFT REAR UPRIGHT - W4L17830
(x1) 1 3/8"x3 3/8"x43 1/2" (36x86x1104)



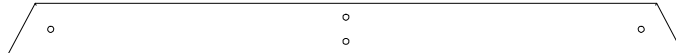
E7 RIGHT REAR UPRIGHT - W4L17831
(x1) 1 3/8"x3 3/8"x43 1/2" (36x86x1104)



E8 LEFT FRONT UPRIGHT - W4L17832
(x1) 1 3/8"x3 3/8"x43 1/2" (36x86x1104)



E9 RIGHT FRONT UPRIGHT - W4L17833
(x1) 1 3/8"x3 3/8"x43 1/2" (36x86x1104)



E10 MOUNTING BLOCK - W4L17815
(x1) 1 3/8"x3"x4 3/4" (36x76x120)

E79 END SUPPORT - W4L17626
(x1) 1 1/2"x3 1/2"x44" (36x86x1120)

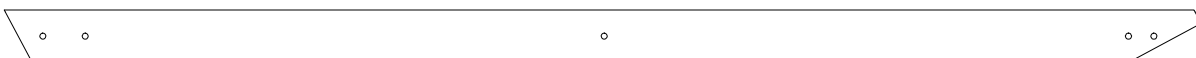
E12 MOUNTING BLOCK - W4L17816
(x1) 1 3/8"x3"x4 3/4" (36x76x120)



E11 RIGHT FRONT BALCONY UPRIGHT - W4L17827
(x1) 1 3/8"x3 3/8"x80 3/4" (36x86x2052)



E72 RAIL - W4L17808
(x2) 1 3/8"x3 3/8"x57 3/8" (36x86x1457)



E77 ANGLE BRACE - W4L17625
(x2) 1 3/8"x3 3/8"x78" (36x86x1980)

Owner's Manual - Parts Identification

Wood Components (Not to Scale)



F1 RIGHT BALCONY UPRIGHT - W4L17806
(x1) 1 3/8"x2 3/8"x31 3/4" (36x60x805)



F2 LEFT BALCONY UPRIGHT - W4L17807
(x1) 1 3/8"x2 3/8"x31 3/4" (36x60x805)



F3 SUPPORT BLOCK - W4L11159
(x1) 1 3/8"x2 3/8"x9 1/4" (36x60x234)



F4 SUPPORT BLOCK - W4L11160
(x1) 1 3/8"x2 3/8"x9 1/4" (36x60x234)



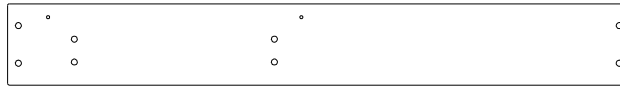
F5 ANGLE BRACE - W4L17822
(x2) 1 3/8"x2 3/8"x9 1/2" (36x60x240)



G2 GROUND BOARD - W4L17641
(x1) 1"x5 1/4"x42 1/4" (24x134x1072)



G3 GROUND BOARD - W4L17642
(x1) 1"x5 1/4"x42 1/4" (24x134x1072)



G4 GROUND BOARD - W4L17643
(x1) 1"x5 1/4"x40 1/2" (24x134x1030)



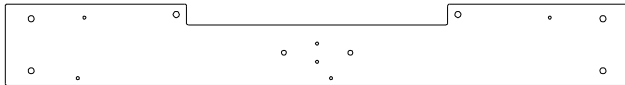
G5 RIGHT CENTER WALL RAIL - W4L17644
(x1) 1"x5 1/4"x63 3/8" (24x134x1609)



G6 FRONT CENTER WALL RAIL - W4L17645
(x1) 1"x5 1/4"x61 3/4" (24x134x1570)



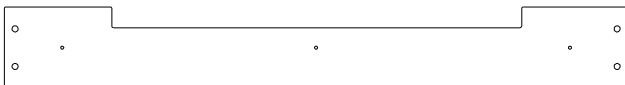
G7 REAR CENTER WALL RAIL - W4L17646
(x1) 1"x5 1/4"x61 3/4" (24x134x1570)



G8 LEFT CENTER WALL RAIL - W4L17647
(x1) 1"x5 1/4"x40 5/8" (24x134x1032)



G9 LEFT BALCONY WALL RAIL - W4L17648
(x1) 1"x5 1/4"x20 3/4" (24x134x528)



G10 FRONT BALCONY WALL RAIL - W4L17649
(x1) 1"x5 1/4"x40 5/8" (24x134x1032)



G11 LEFT SIDE WALL BOARD - W4L17651
(x1) 1"x5 1/4"x42 1/2" (24x134x1080)



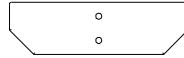
G12 GROUND BOARD - W4L17627
(x1) 1"x5 1/4"x78 1/8" (24x134x1984)

Owner's Manual - Parts Identification

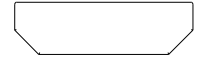
Wood Components (Not to Scale)



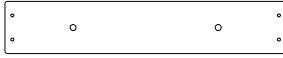
H1 TABLE SUPPORT - W4L11147
(x1) 1"x3 3/8"x22 3/8" (24x86x567)



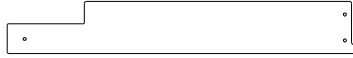
H2 TABLE SUPPORT - W4L18018
(x1) 1"x3 3/8"x11 5/8" (24x86x295)



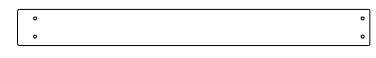
H3 TABLE SUPPORT - W4L18021
(x1) 1"x3 3/8"x11 5/8" (24x86x295)



H5 ATTACHMENT BOARD - W4L17639
(x1) 1"x3 3/8"x18 1/4" (24x86x465)



H6 BENCH BOARD - W4L17657
(x2) 1"x3 3/8"x23" (24x86x583)



H7 BENCH BOARD - W4L17658
(x2) 1"x2 3/8"x23" (24x60x583)



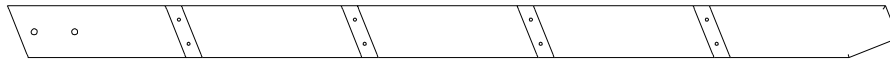
H8 BENCH BOARD - W4L17659
(x2) 1"x3 3/8"x23" (24x86x583)



H9 ATTACHMENT BOARD - W4L17814
(x1) 1"x3 3/8"x26 1/4" (24x86x667)



H76 LADDER RUNG - W4L07620
(x4) 1"x3 3/8"x17 1/4" (24x86x437)



H77 LEFT UPRIGHT - W4L11173
(x1) 1"x3 3/8"x58" (24x86x1474)



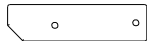
H78 RIGHT UPRIGHT - W4L11174
(x1) 1"x3 3/8"x58" (24x86x1474)



J1 PORCH GROUND BOARD - W4L11128
(x1) 1"x2 3/8"x40 1/2" (24x60x1030)



J2 PORCH GROUND BOARD - W4L11129
(x1) 1"x2 3/8"x40 5/8" (24x60x1032)



J3 BENCH SUPPORT - W4L18017
(x2) 1"x2 3/8"x9" (24x60x230)



J5 SUPPORT BLOCK - W4L18022
(x2) 1"x2 3/8"x2 7/8" (24x60x72)



J6 SUPPORT BLOCK - W4L17817
(x1) 1"x2 3/8"x6 1/4" (24x60x160)



J7 SUPPORT BLOCK - W4L11158
(x1) 1"x2 3/8"x3 3/8" (24x60x86)



J8 FLOOR JOIST - W4L07602
(x1) 1"x2 3/8"x40 1/2" (24x60x1029)



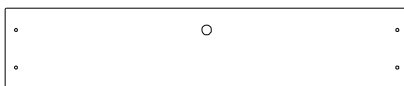
J9 FLOOR JOIST - W4L17671
(x1) 1"x2 3/8"x20 1/4" (24x60x515)



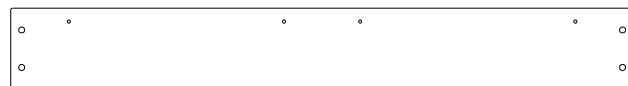
J10 PORCH GROUND BOARD - W4L17650
(x2) 1"x2 3/8"x21 1/8" (24x60x537)



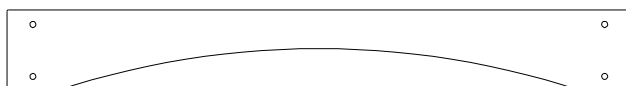
J11 SUPPORT BLOCK - W4L17818
(x1) 1"x2 3/8"x6 1/4" (24x60x160)



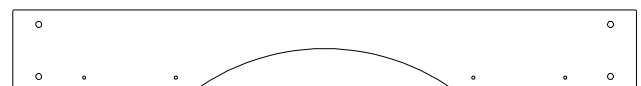
K1 ROCK WALL BOARD - W4L17813
(x1) 5/8"x5 1/4"x26 1/4" (16x134x667)



K4 GROUND BOARD - W4L11116
(x1) 5/8"x5 1/4"x40 1/2" (16x134x1030)



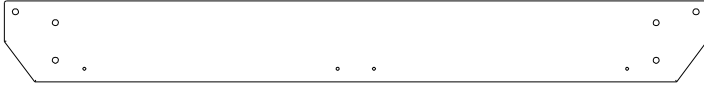
K12 ARCHED WALL RAIL - W4L11143
(x1) 5/8"x5 1/4"x40 5/8" (16x134x1032)



K13 ARCHED WALL RAIL - W4L11144
(x1) 5/8"x5 1/4"x40 5/8" (16x134x1032)

Owner's Manual - Parts Identification

Wood Components (Not to Scale)



K14 ANGLED WALL RAIL - W4L11145
(x1) 5/8"x5 1/4"x45 3/4" (16x134x1162)



K15 ANGLED WALL RAIL - W4L11146
(x1) 5/8"x5 1/4"x45 3/4" (16x134x1162)



K16 TABLE BOARD - W4L18020
(x1) 5/8"x5 1/4"x23" (16x134x583)



K17 FLOOR BOARD - W4L17662
(x2) 5/8"x5 1/4"x21 1/8" (16x134x537)



L5 FLOOR BOARD - W4L17663
(x1) 5/8"x4 1/8"x19 1/4" (16x104x488)



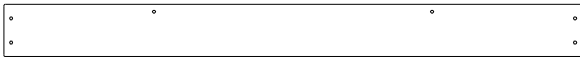
M1 WALL RAIL - W4L11154
(x1) 5/8"x3 3/8"x40 1/2" (16x86x1030)



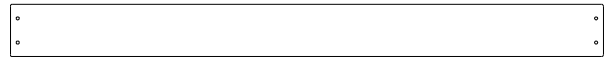
M3 BENCH BOARD - W4L18019
(x2) 5/8"x3 3/8"x23" (16x86x583)



M4 FLOOR BOARD - W4L07597
(x8) 5/8"x3 3/8"x21 1/8" (16x86x537)



M6 COUNTER TOP - W4L07605
(x1) 5/8"x3 3/8"x37 5/8" (16x86x957)



M7 COUNTER TOP - W4L07606
(x2) 5/8"x3 3/8"x38 5/8" (16x86x981)



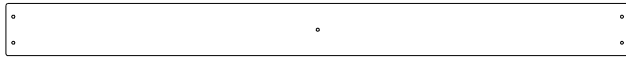
M8 FLOOR BOARD - W4L17665
(x1) 5/8"x3 1/4"x19 7/8" (16x82x504)



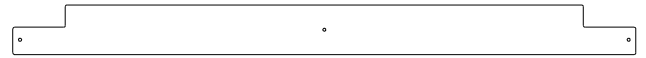
M9 FLOOR BOARD - W4L17660
(x10) 5/8"x3 3/8"x19 7/8" (16x86x504)



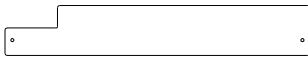
M10 FLOOR BOARD - W4L07609
(x1) 5/8"x3 3/8"x40 5/8" (16x86x1031)



M11 FLOOR BOARD - W4L17661
(x15) 5/8"x3 3/8"x40 5/8" (16x86x1031)



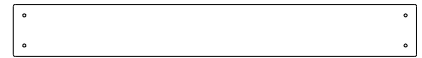
M12 FLOOR BOARD - W4L17991
(x2) 5/8"x3 1/4"x40 5/8" (16x82x1031)



M13 FLOOR BOARD - W4L17664
(x1) 5/8"x3 1/4"x19 7/8" (16x82x504)



M73 REAR SUPPORT - W4L07619
(x1) 5/8"x3 3/8"x18 1/4" (16x86x465)



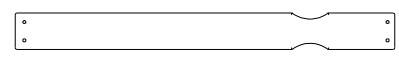
M74 ROCK WALL BOARD - W4L17810
(x7) 5/8"x3 3/8"x26 1/4" (16x86x667)



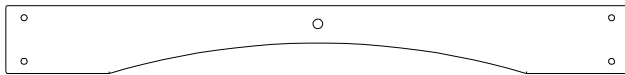
M75 ROCK WALL BOARD - W4L17811
(x4) 5/8"x3 3/8"x26 1/4" (16x86x667)



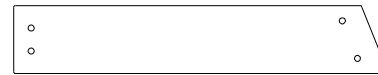
M76 ROCK WALL BOARD - W4L17812
(x4) 5/8"x3 3/8"x26 1/4" (16x86x667)



N2 PICKET - W4L07612
(x18) 5/8"x2 3/8"x24 3/4" (16x60x628)



Q1 ARCHED WALL RAIL - W4L11142
(x1) 1"x4 3/8"x40 5/8" (24x112x1032)



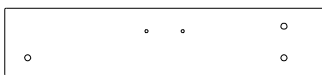
Q2 GROUND BOARD - W4L17640
(x2) 1"x4 3/8"x24 3/8" (24x112x620)



Q3 ARCHED WALL RAIL - W4L17653
(x1) 1"x4 3/8"x40 5/8" (24x112x1032)



Q4 WALL RAIL - W4L17654
(x1) 1"x4 3/8"x23 5/8" (24x112x600)



Q5 WALL RAIL - W4L17655
(x1) 1"x4 3/8"x20 7/8" (24x112x529)



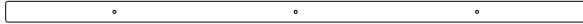
Q6 ARCHED WALL RAIL - W4L17656
(x1) 1"x4 3/8"x43 7/8" (24x112x1113)

Owner's Manual - Parts Identification

Wood Components (Not to Scale)



SP71 SWING BEAM SUPPORT - W4L17638
(x1) 3 3/8"x3 3/8"x49 1/2" (86x86x1256)



T2 SUPPORT BOARD - W4L07600
(x1) 1"x1 3/8"x37 3/4" (24x34x959)



T4 SUPPORT BOARD - W4L07613
(x1) 1"x1 3/8"x37 3/4" (24x34x958)



T1 SUPPORT BOARD - W4L07599
(x3) 1"x1 3/8"x37 5/8" (24x34x957)



T3 SUPPORT BOARD - W4L07601
(x2) 1"x1 3/8"x18 3/4" (24x34x477)



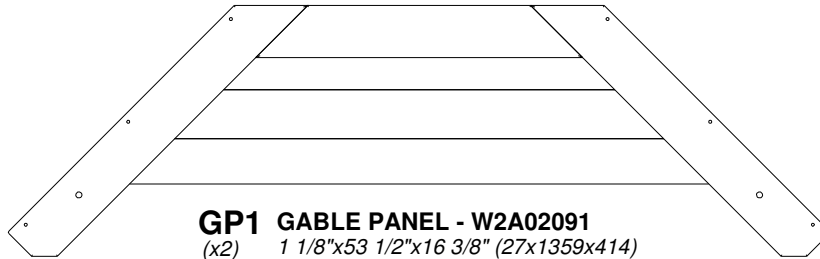
Y1 TOP BOARD - W4L17809
(x1) 5/8"x3 3/4"x26 1/4" (16x94x667)



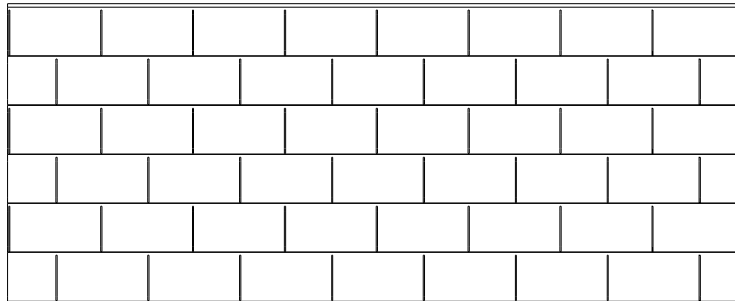
E13 RIGHT REAR UPRIGHT ASSEMBLY - W2A03847
(x1) 1 3/8"x3 3/8"x51 3/4" (36x86x1314)



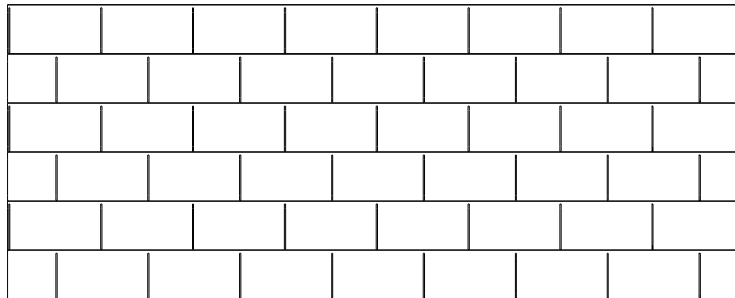
O70 SLIDE MOUNTING BOARD - W4L09040
(x1) 5/8"x1 3/8"x20 3/8" (16x34x517)



GP1 GABLE PANEL - W2A02091
(x2) 1 1/8"x53 1/2"x16 3/8" (27x1359x414)



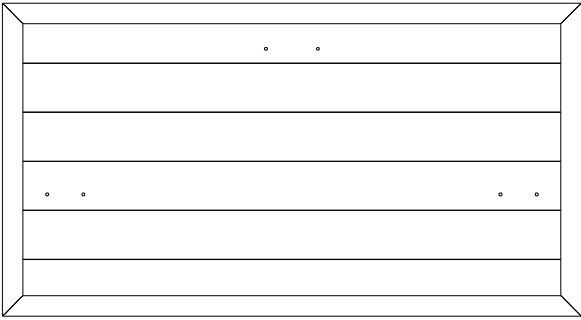
RP1 BOTTOM ROOF PANEL - W2A02494
(x2) 1 3/8"x48"x19 3/8" (35x1220x491)



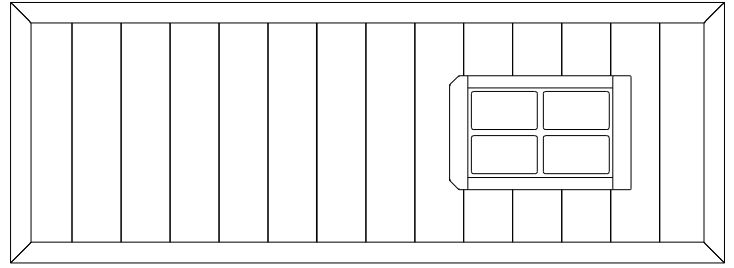
RP2 TOP ROOF PANEL - W2A02495
(x2) 1 3/8"x48"x19 1/8" (35x1220x486)

Owner's Manual - Parts Identification

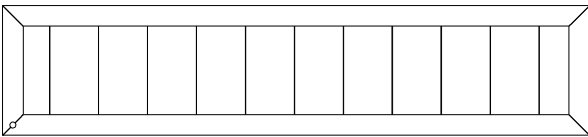
Wood Components (Not to Scale)



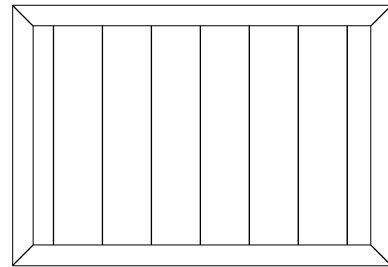
WP1 FRONT WALL PANEL - W2A02082
(x1) 1"x20 3/8"x37 3/4" (24x517x958)



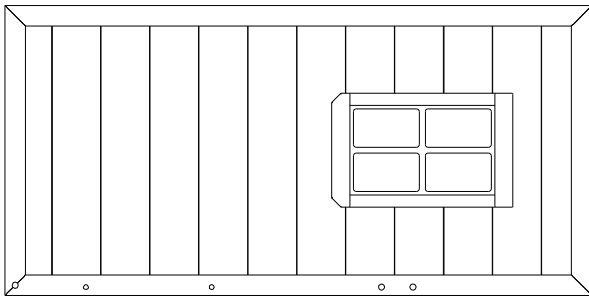
WP2 RIGHT LOWER WALL PANEL - W2A02083
(x1) 1"x16 7/8"x46 1/2" (24x430x1181)



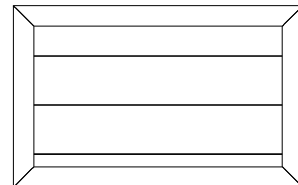
WP3 TOP LEFT WALL PANEL - W2A03843
(x1) 1"x18 7/8"x11 3/4" (24x214x971)



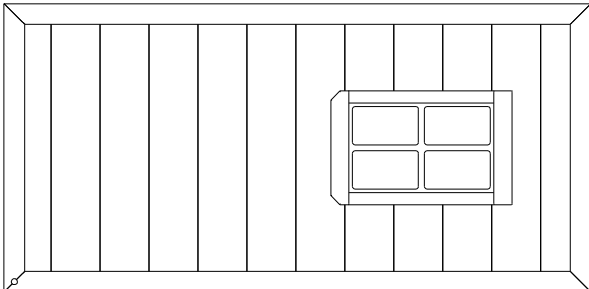
WP4 TOP RIGHT FRONT WALL PANEL - W2A03841
(x2) 1"x16 7/8"x24 5/8" (24x430x627)



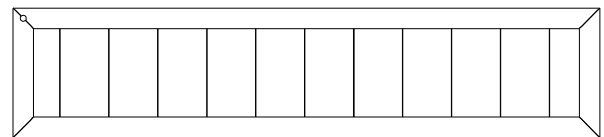
WP5 TOP LEFT REAR WALL PANEL - W2A03842
(x1) 1"x16 7/8"x46 1/2" (24x479x971)



WP6 TOP REAR WALL PANEL - W2A02087
(x1) 1"x18 7/8"x11 3/4" (24x479x300)



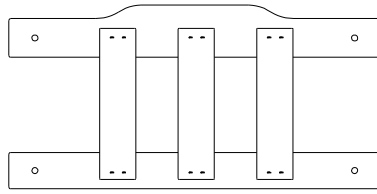
WP7 TOP FRONT WALL PANEL - W2A03840
(x1) 1"x16 7/8"x46 1/2" (24x476x971)



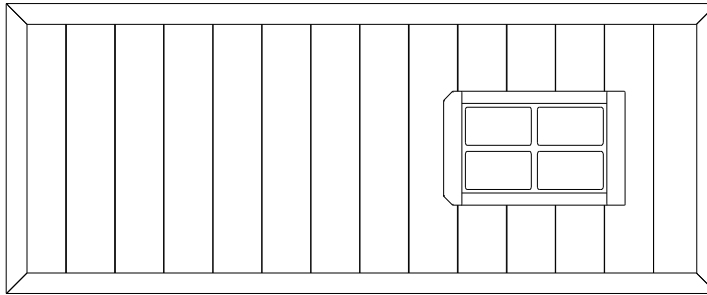
WP8 TOP LEFT WALL PANEL - W2A03844
(x1) 1"x18 7/8"x11 3/4" (24x214x971)

Owner's Manual - Parts Identification

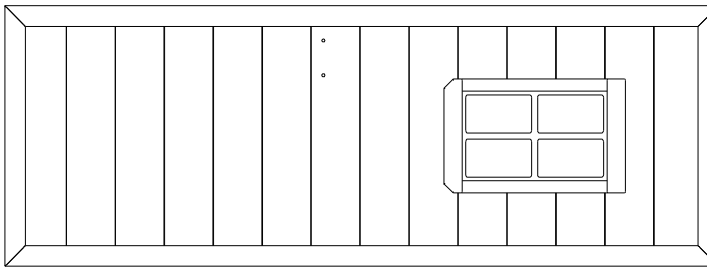
Wood Components (Not to Scale)



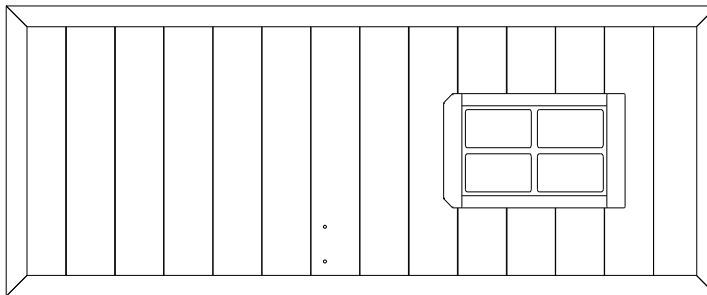
WP10 BENCH BACK ASSEMBLY - W2A02081
(x2) 1 1/8"x11 7/8"x24 1/4" (27x303x615)



WP9 LOWER WALL PANEL - W2A02090
(x1) 1"x16 7/8"x46 1/2" (24x479x1176)



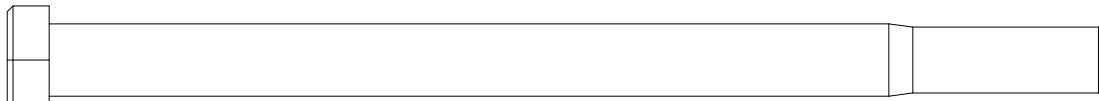
WP11 RIGHT LOWER WALL PANEL - W2A03845
(x1) 1"x16 7/8"x46 1/2" (24x430x1181)



WP12 LOWER WALL PANEL - W2A03846
(x1) 1"x16 7/8"x46 1/2" (24x479x1176)

Owner's Manual - Parts Identification

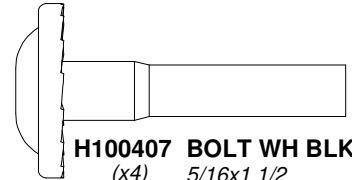
Hardware Components



H100654 BOLT HEX
(x12) 3/8x5-1/2



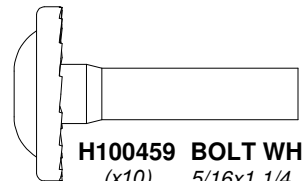
H100498 BOLT HEX - BLK
(x4) 5/16x1 1/2



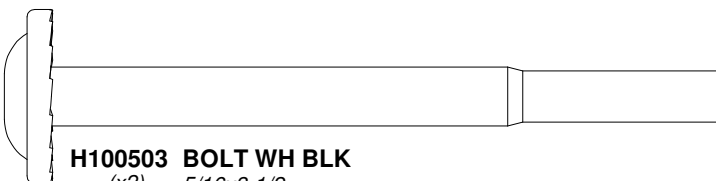
H100407 BOLT WH BLK
(x4) 5/16x1 1/2



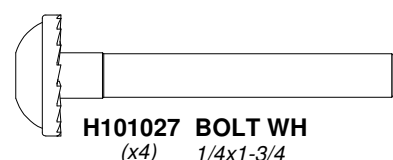
H100480 BOLT WH BLK
(x2) 5/16x4 3/4



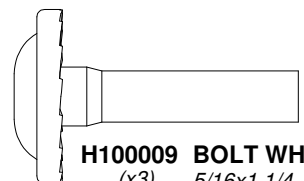
H100459 BOLT WH BLK
(x10) 5/16x1 1/4



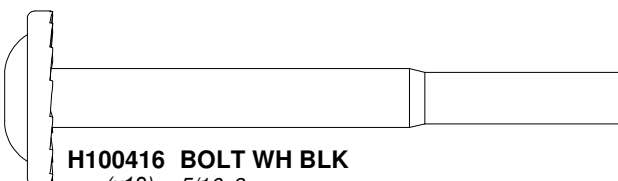
H100503 BOLT WH BLK
(x2) 5/16x3-1/2



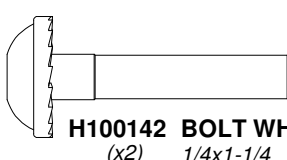
H101027 BOLT WH
(x4) 1/4x1-3/4



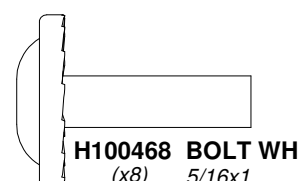
H100009 BOLT WH
(x3) 5/16x1 1/4



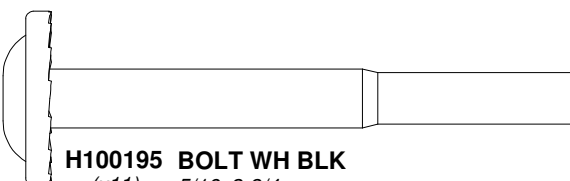
H100416 BOLT WH BLK
(x12) 5/16x3



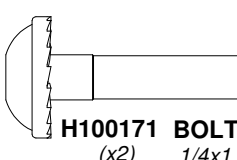
H100142 BOLT WH
(x2) 1/4x1-1/4



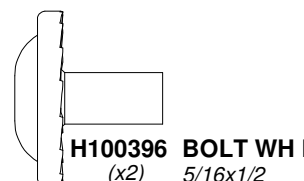
H100468 BOLT WH BLK
(x8) 5/16x1



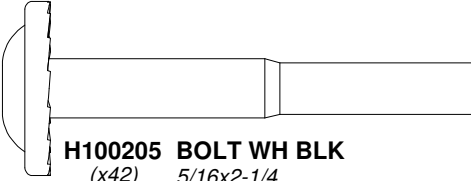
H100195 BOLT WH BLK
(x11) 5/16x2-3/4



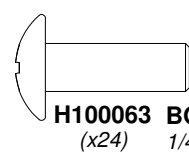
H100171 BOLT WH BLK
(x2) 1/4x1



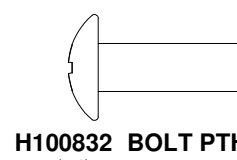
H100396 BOLT WH BLK
(x2) 5/16x1/2



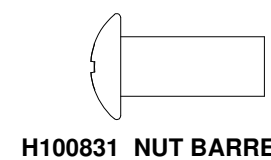
H100205 BOLT WH BLK
(x42) 5/16x2-1/4



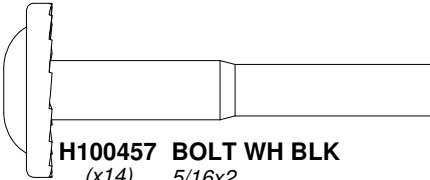
H100063 BOLT PTH
(x24) 1/4x3/4



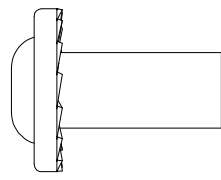
H100832 BOLT PTH BLK
(x4) (with LOCTITE)
1/4x3/4



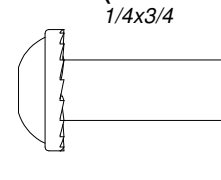
H100831 NUT BARREL PTH
(x4) BLK
1/4x3/4



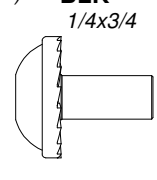
H100457 BOLT WH BLK
(x14) 5/16x2



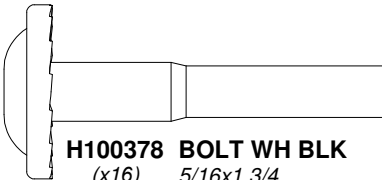
H100192 NUT BARREL WH
(x14) BLK
5/16x7/8



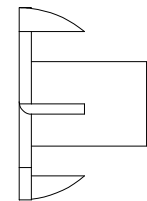
H100399 NUT BARREL WH
(x1) BLK
1/4x7/8



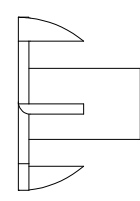
H100401 BOLT WH BLK
(x1) 1/4x1/2



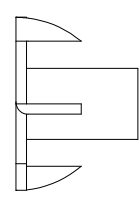
H100378 BOLT WH BLK
(x16) 5/16x1 3/4



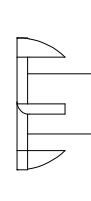
H100073 T-NUT
(x12) 3/8



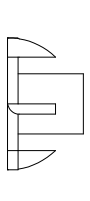
H100379 T-NUT BLK
(x113) 5/16



H100074 T-NUT
(x3) 5/16



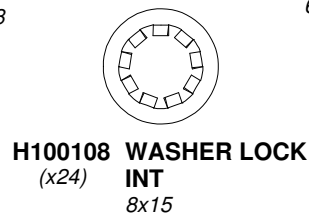
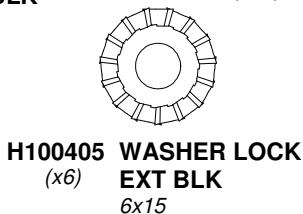
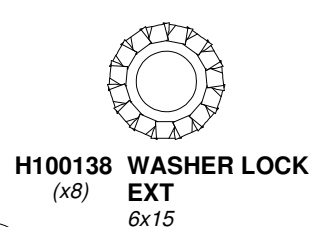
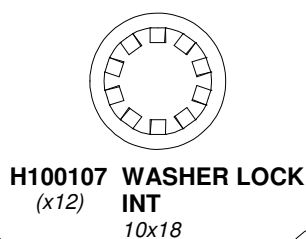
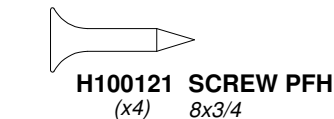
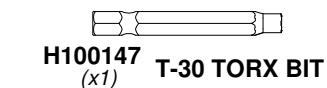
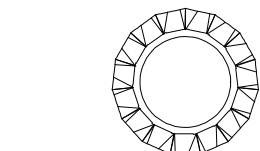
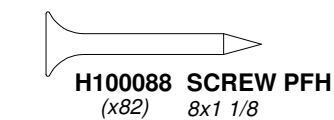
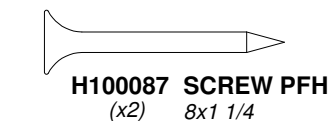
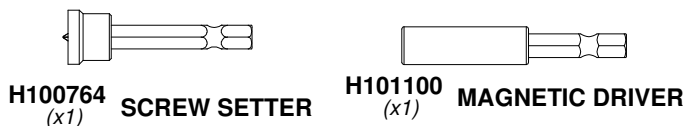
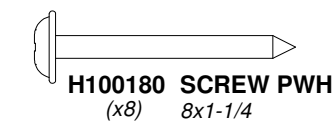
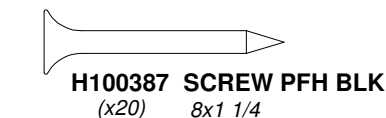
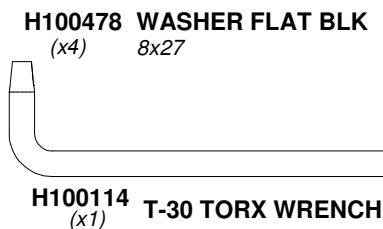
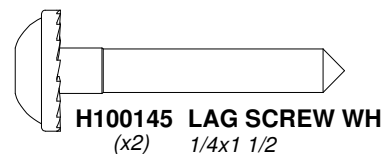
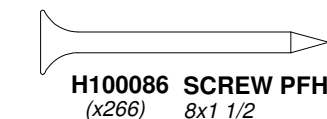
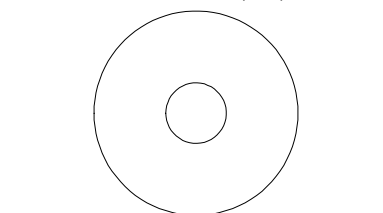
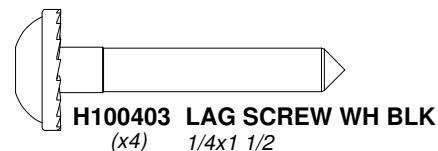
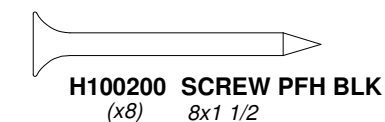
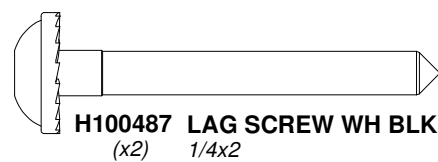
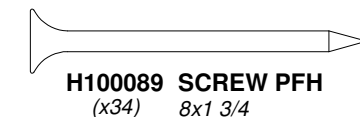
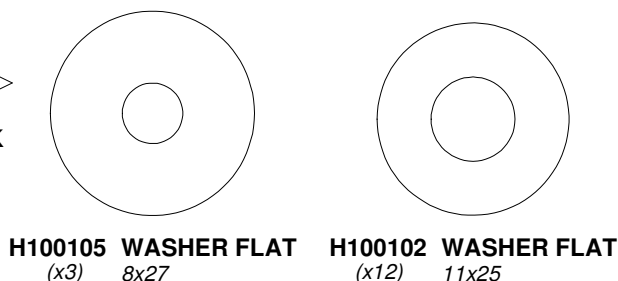
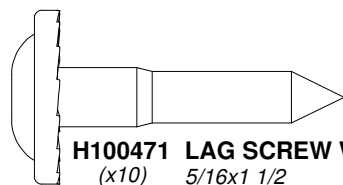
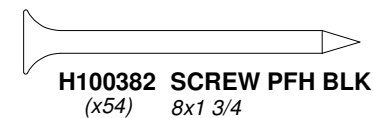
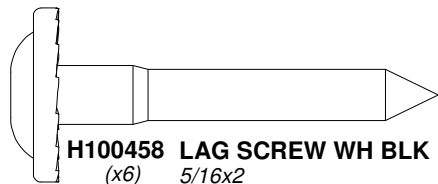
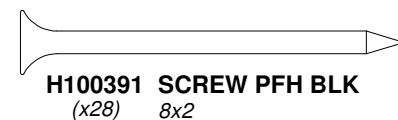
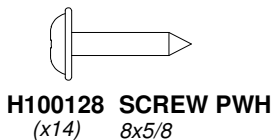
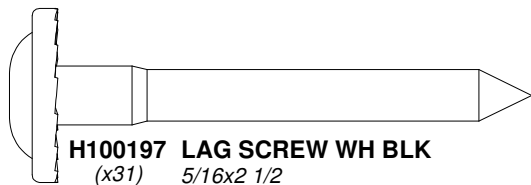
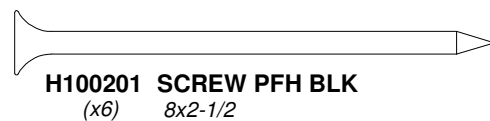
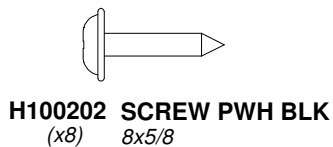
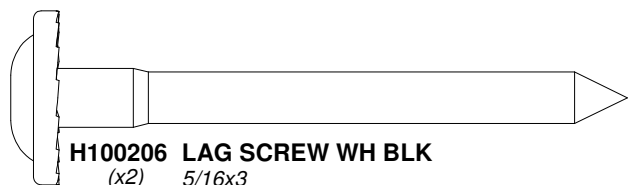
H100398 T-NUT BLK
(x2) 1/4



H100072 T-NUT
(x30) 1/4

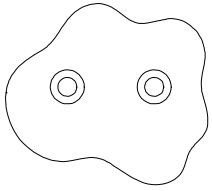
Owner's Manual - Parts Identification

Hardware Components

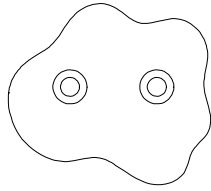


Owner's Manual - Parts Identification

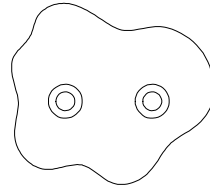
Accessory Components (Not to Scale)



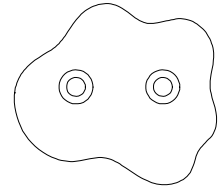
**A6P00042 YELLOW HC
(x3) ROCK #1**



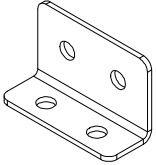
**A6P00036 GREEN HC ROCK
(x3) #1**



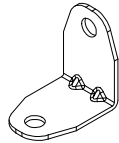
**A6P00040 BLUE HC ROCK
(x3) #1**



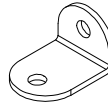
**A6P00038 RED HC ROCK #1
(x3)**



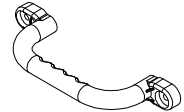
**A4M00855 L BRACKET
(x2) 51x32x82x3.175**



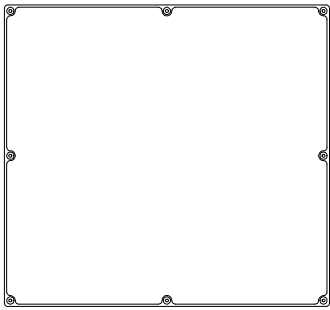
**A4M01047 L BRACKET
(x2) 2.5x38x55x55**



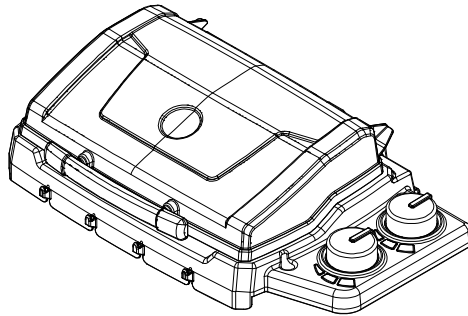
**A4M00710 L BRACKET
(x2) BLACK 32x51**



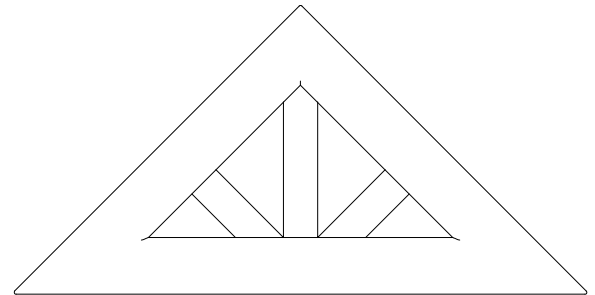
**A100028 HAND GRIP
(x4) GREEN PLASTIC**



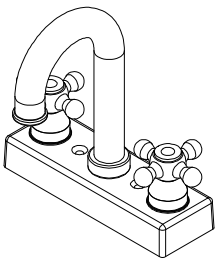
**A6P00324 CHALK BOARD
(x1) LARGE**



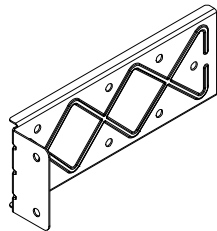
**A6P00282 BBQ GRILL
(x1)**



**A100322 PLASTIC SUNBURST
(x2)**



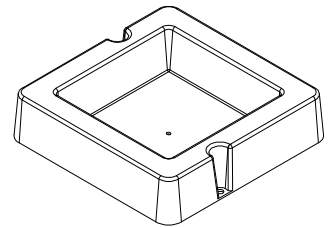
**A6P00024 FAUCET KIT
(x1)**



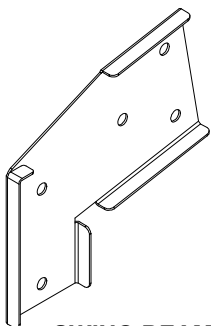
**A4M01679 EXTENDED
(x2) SWING BEAM
BRACKET**



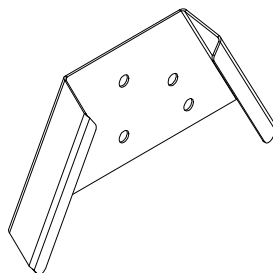
**141154 GRILL FOOD SET
(x1)**



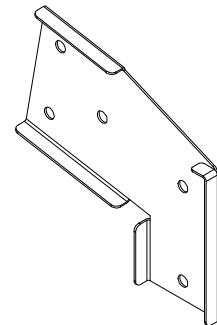
**A6P00032 SURFACE
(x1) MOUNT BASIN**



**A4M00617 SWING BEAM
(x1) EXTENSION
BRACKET-LEFT**



**A4M01782 A-FRAME BRACKET
(x1)**

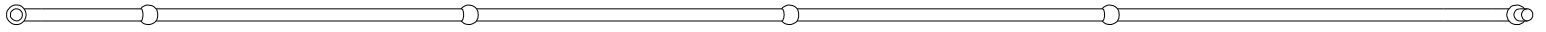
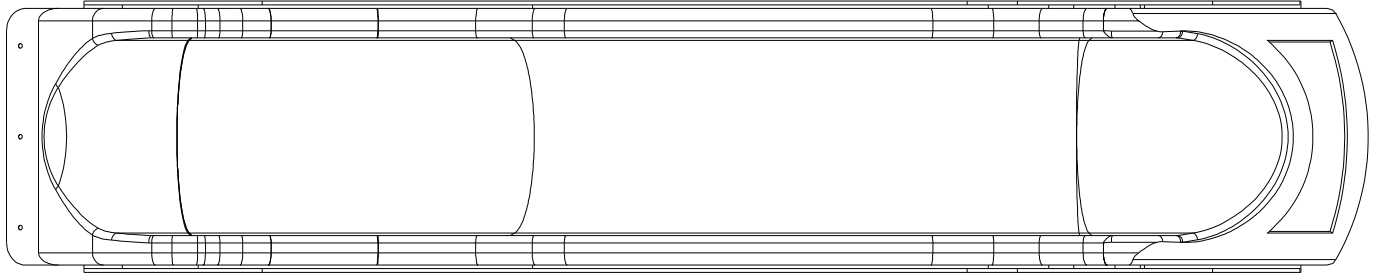


**A4M00618 SWING BEAM
(x1) EXTENSION
BRACKET-RIGHT**

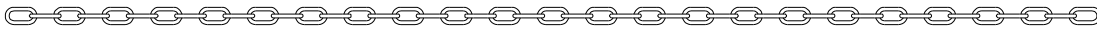
Owner's Manual - Parts Identification

Accessory Components (Not to Scale)

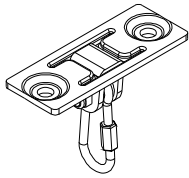
10 FT VACUUM FORMED SLIDE		
PART NUMBER	COLOR	MODEL NUMBER
A100287	GREEN	1803022B
A6P00540	YELLOW	2200272B
A6P00539	GREY	2300026B



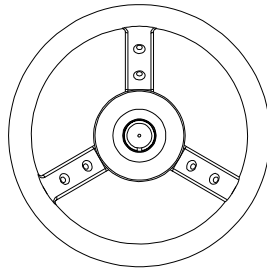
A6P00260
(x1) **CLIMBING ROPE**



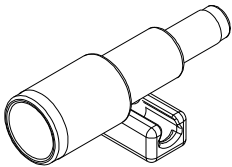
A100068
(x4) **CHAIN GREEN 51.25"**



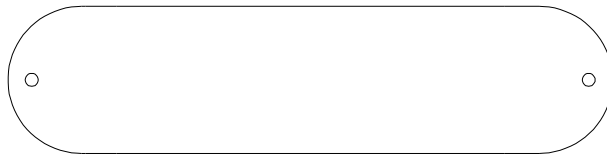
A4M00505
(x6) **SWING HANGER**



A100107
(x1) **STEERING WHEEL**



A6P00096
(x1) **TELESCOPE**



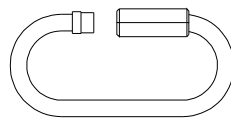
A6P00054
(x2) **SWING SEAT GREEN 22"**



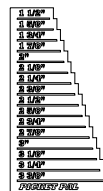
A4M01126
(x1) **26" WEB SWING SEAT**



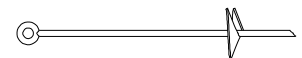
A100164
(x1) **BYD ID TAG
(LARGE) AGES
3-10**



A100069
(x4) **QUICK LINK**



A6P00410
(x1) **PICKET PAL**



A100178
(x6) **AUGER GROUND
STAKE**

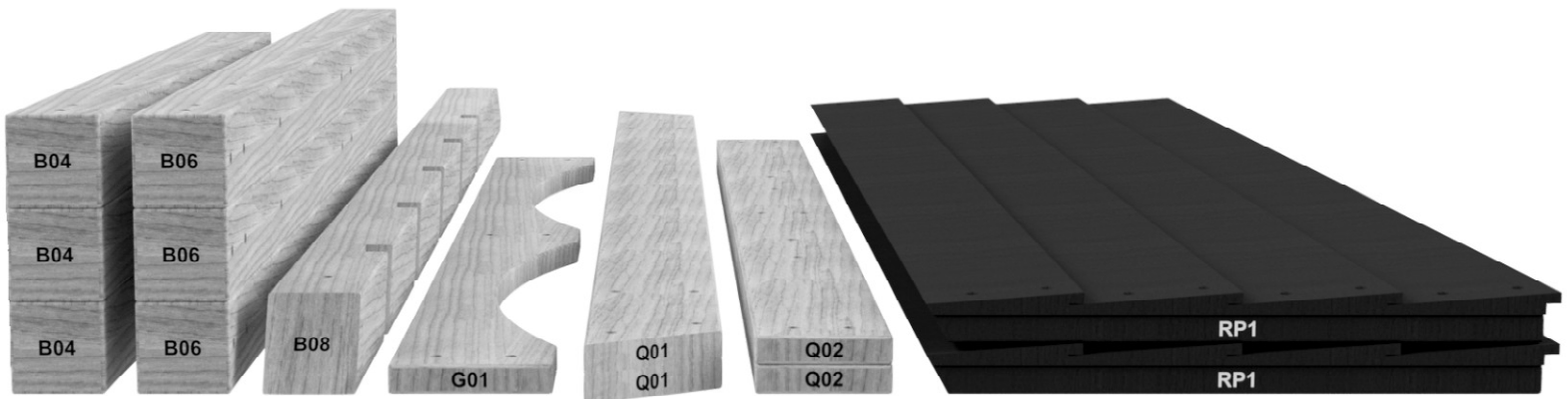
PRE-ASSEMBLY STEP 1 - SORTING PARTS

It is critical for ease of assembly that you take the time to sort and organize the wood and hardware.

WOOD PARTS:

- Organize wood parts by the three-digit, alpha-numeric number stamped on each board (ex. P01).
- If there are multiple boards with the same stamped number, stack those pieces together.
- Stamps can be found on the flat surface of the boards or on the end of the boards.
- Allow yourself plenty of room - the wood pieces can take up a significant amount of space.

NOTE: CARTONS ARE NOT ORGANIZED BY BOARD NUMBER.



HARDWARE PARTS:

- We recommend that you have a separate table to organize the hardware.
- Hardware bags are printed with a seven-digit, alpha-numeric part number.
- You can organize your hardware by part number or group by hardware type (i.e. bolts, nuts, etc.).
- During assembly you only need to reference the last four digits of the number.



PRE-ASSEMBLY STEP 2 - TOOLS REQUIRED



Cordless Drill or
Electric Drill



Drill Attachments:
Phillips Head



1/8", 3/16", 3/8" & 7/16" Drill Bits



Phillips Screw Driver



Open End Wrenches 1/2" & 9/16"



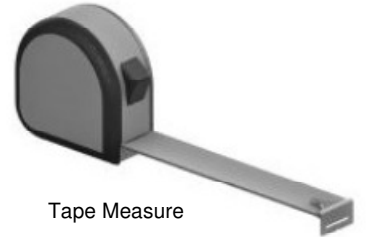
3/8" Drive Ratchet, 1/2" &
9/16" STD Sockets 1/2" & 9/16" Deep Sockets



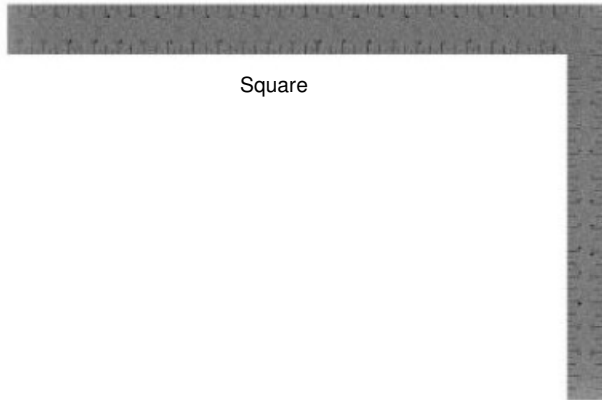
Claw Hammer



Rubber Mallet - Optional



Tape Measure



Square





Level 24"

PRE-ASSEMBLY STEP 3 - CHOOSE YOUR ASSEMBLY METHOD

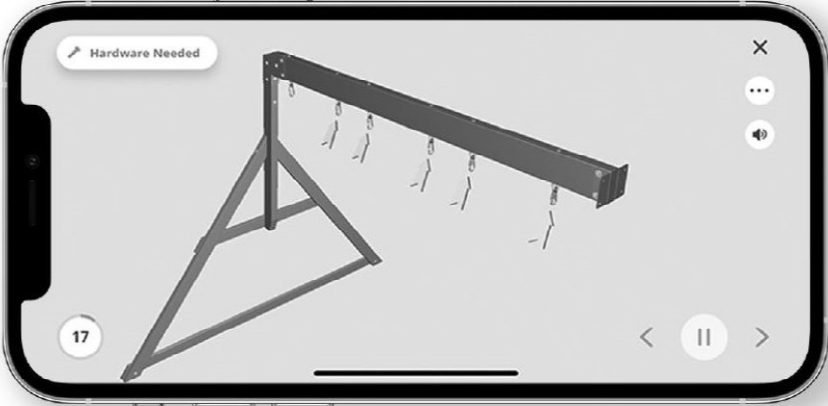


There are several types of assembly instructions available to you.

1. Printed Assembly Manual included with your set
2. BILT APP - 3D interactive instructions
3. Combination of the Printed Manual and BILT APP (Note: Step numbers can differ between the two methods)



Scan for easy 3D instructions

Download the BILT app
before you begin



The image shows a smartphone screen displaying the BILT app interface. At the top left, there is a tab labeled "Hardware Needed". The main display area shows a 3D perspective view of a metal truss structure with a horizontal beam and several vertical supports. The beam has several small components (possibly nuts or bolts) attached to it. In the bottom left corner of the app interface, there is a circular icon with the number "17". In the bottom right corner, there are navigation icons: a back arrow, a pause button, and a forward arrow. The entire advertisement is enclosed in a thick grey border.

STEP 1 - LADDER ASSEMBLY

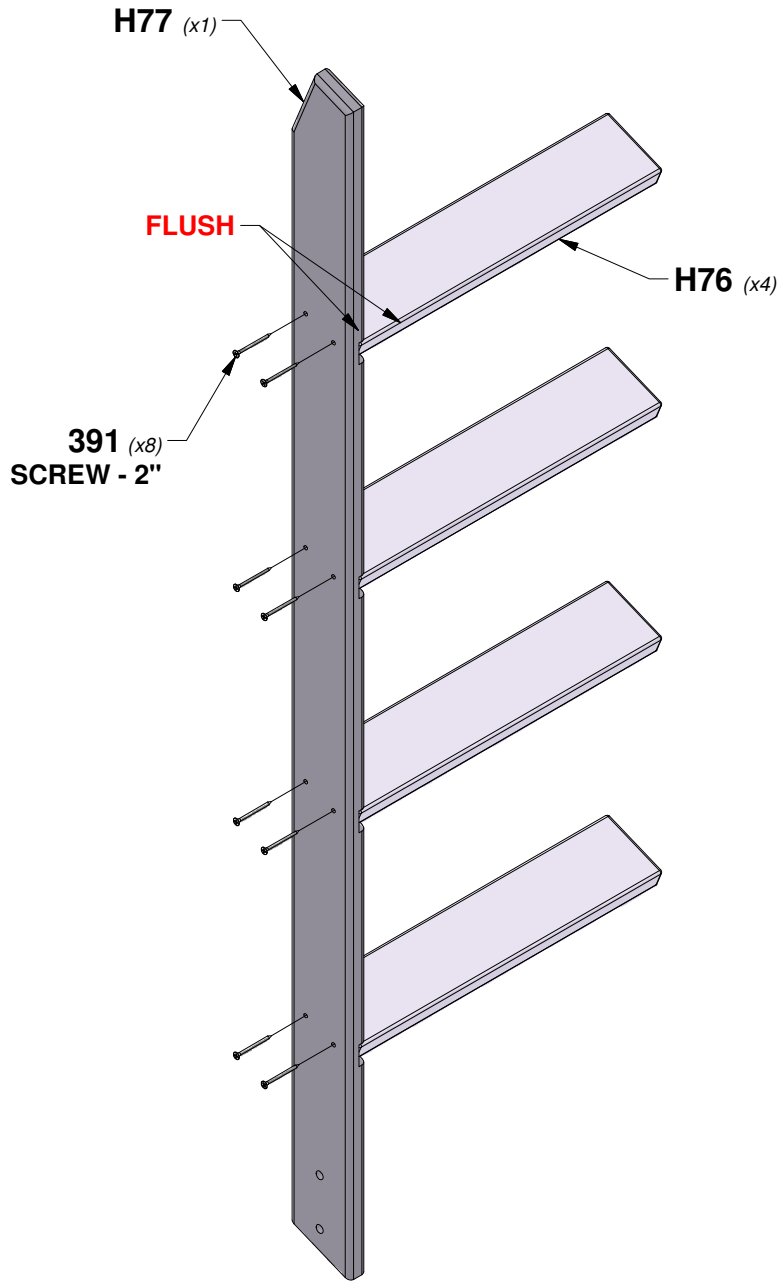
QTY	PART NUMBER	DESCRIPTION
8	H100391	SCREW PFH 8x2 BLK



H77 LEFT UPRIGHT - W4L11173
(x1) 1"x3 3/8"x58" (24x86x1474)

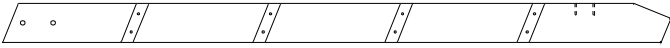


H76 LADDER RUNG - W4L07620
(x4) 1"x3 3/8"x17 1/4" (24x86x437)

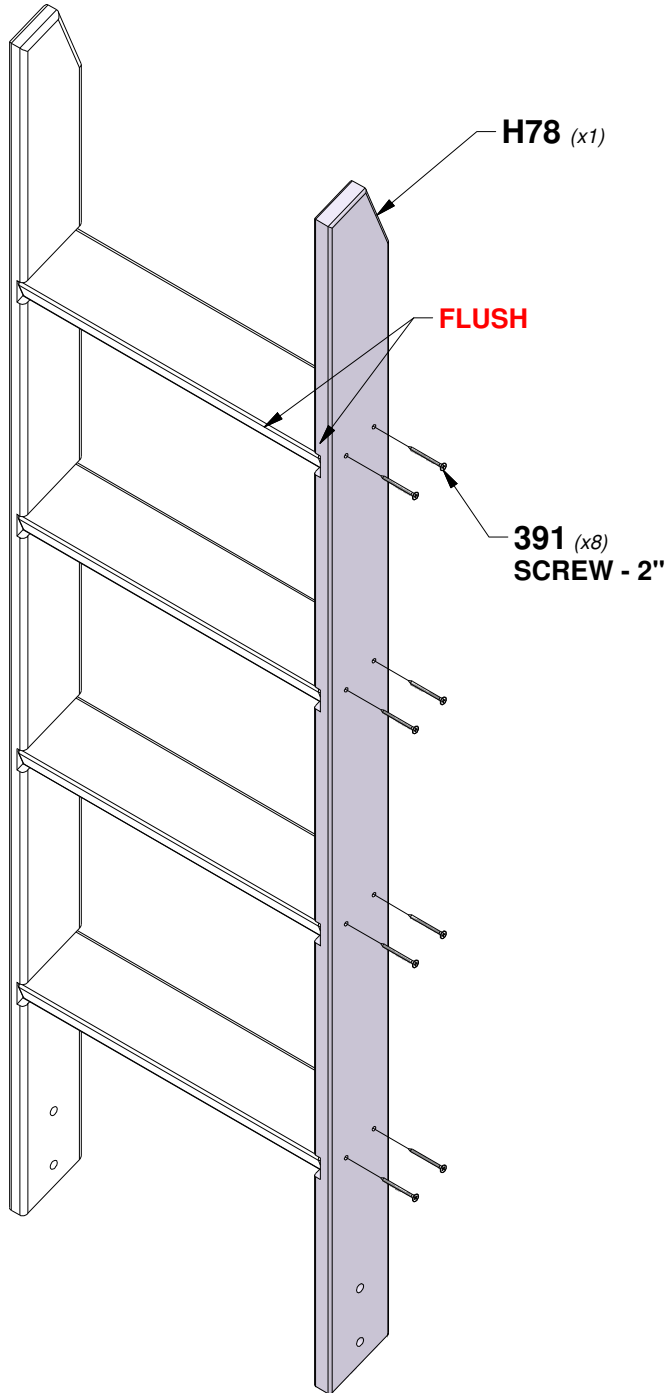


STEP 2 - LADDER ASSEMBLY

QTY	PART NUMBER	DESCRIPTION
8	H100391	SCREW PFH 8x2 BLK



H78 RIGHT UPRIGHT - W4L11174
(x1) 1"x3 3/8"x58" (24x86x1474)



STEP 3 - LADDER ASSEMBLY

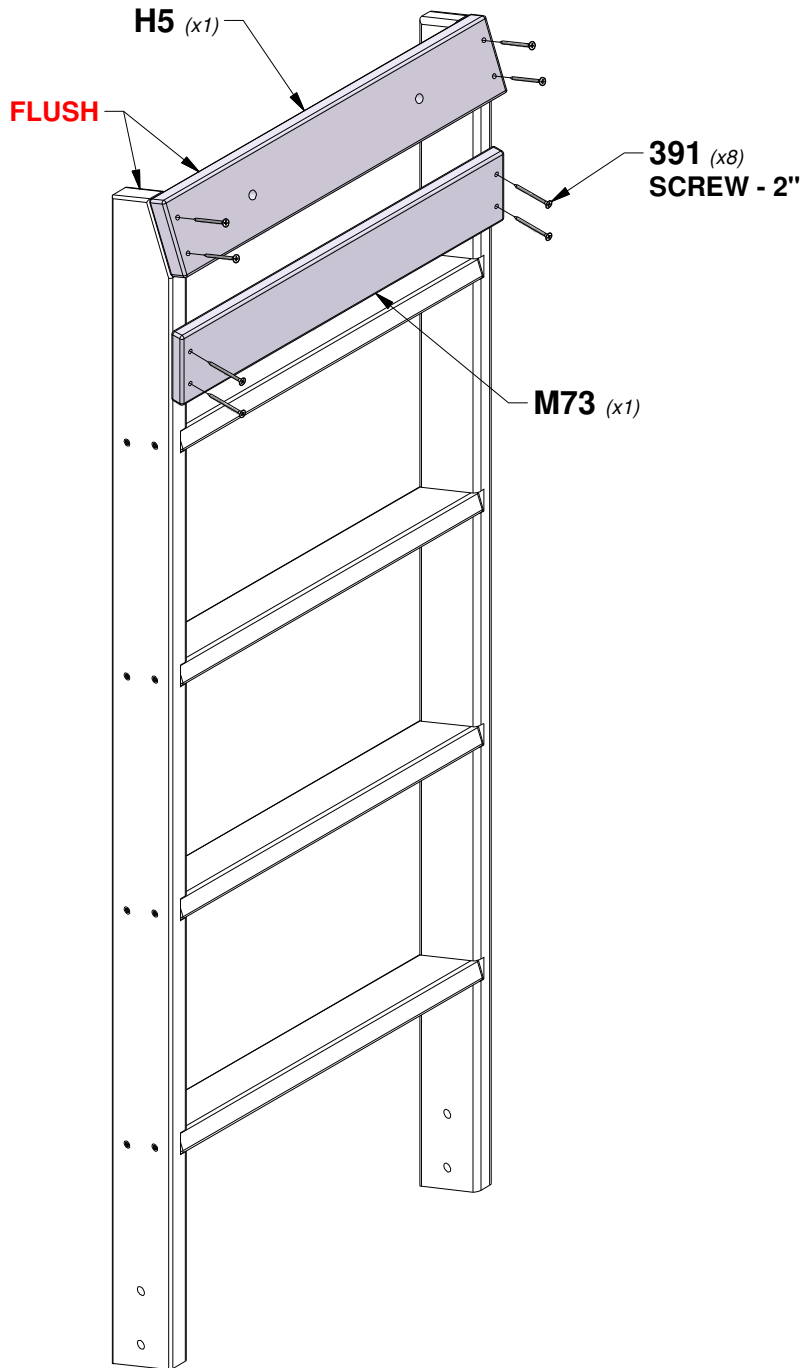
QTY	PART NUMBER	DESCRIPTION
8	H100391	SCREW PFH 8x2 BLK



H5 ATTACHMENT BOARD - W4L17639
(x1) 1"x3 3/8"x18 1/4" (24x86x465)



M73 REAR SUPPORT - W4L07619
(x1) 5/8"x3 3/8"x18 1/4" (16x86x465)



STEP 1 - ROCK WALL ASSEMBLY

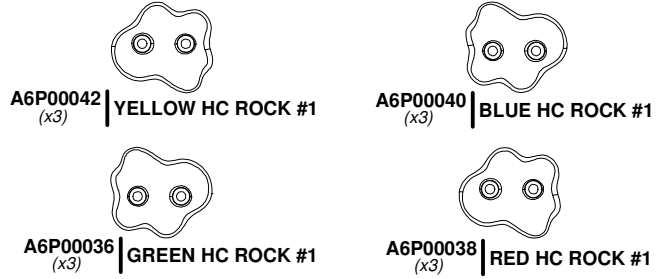
QTY	PART NUMBER	DESCRIPTION
24	H100063	BOLT PTH 1/4x3/4
24	H100072	T-NUT 1/4
24	H100108	WASHER LOCK INT 8x15



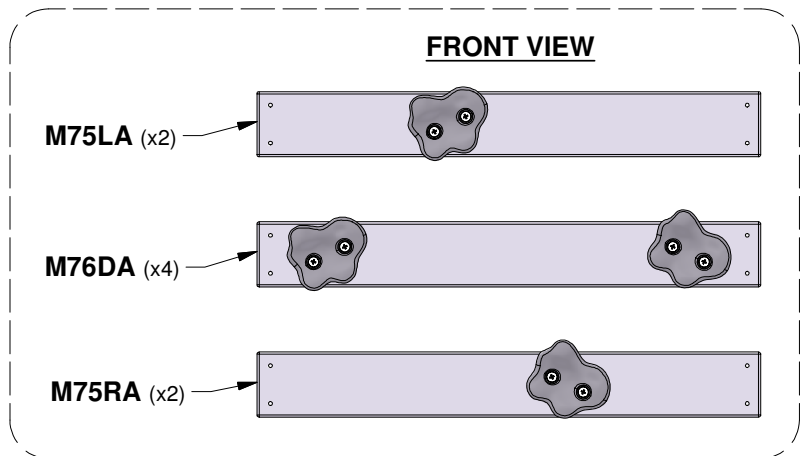
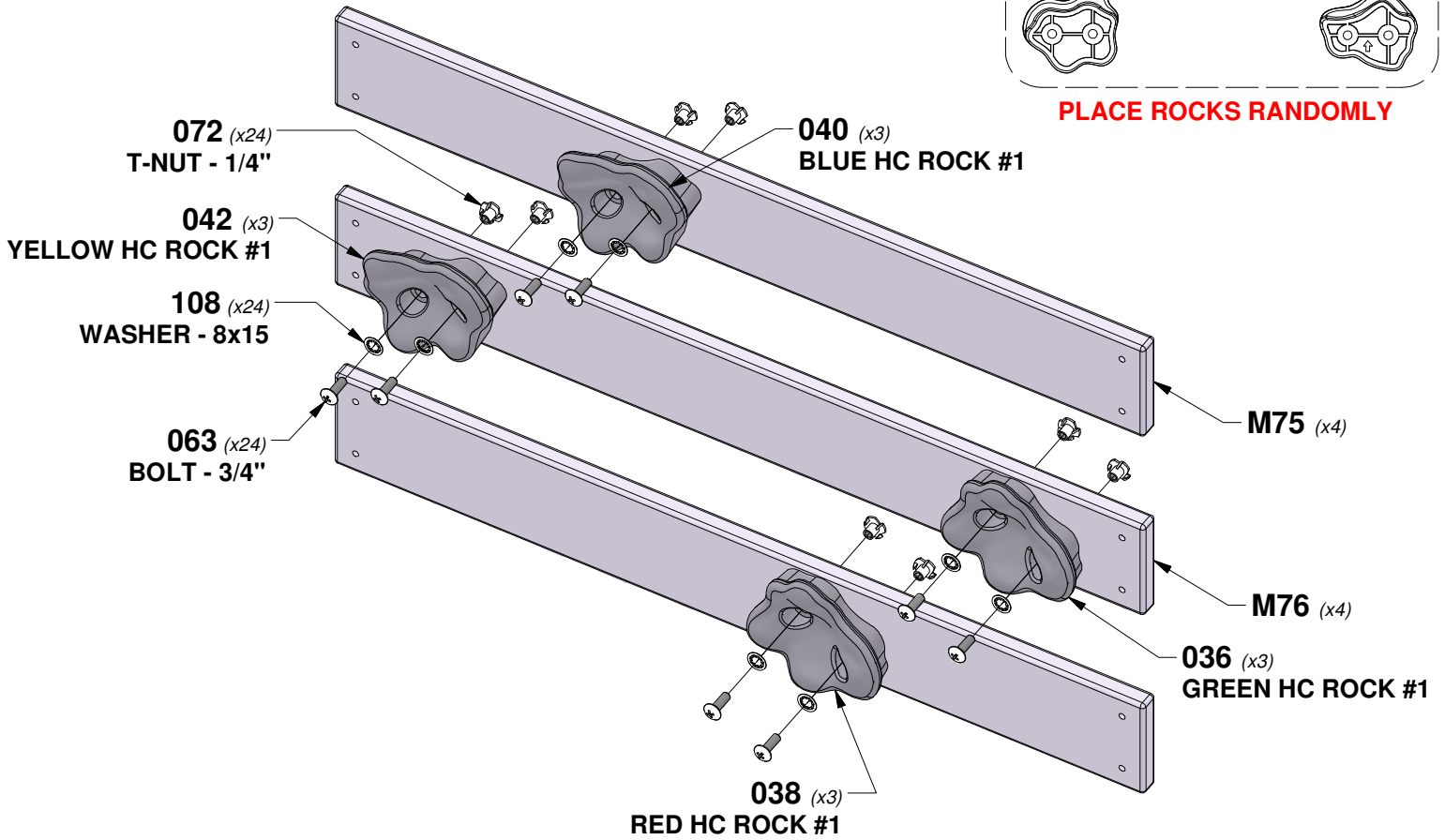
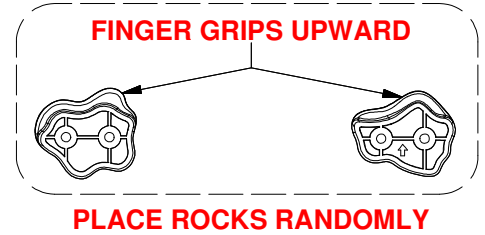
M75 ROCK WALL BOARD - W4L17811
(x4) 5/8"x3 3/8"x26 1/4" (16x86x667)



M76 ROCK WALL BOARD - W4L17812
(x4) 5/8"x3 3/8"x26 1/4" (16x86x667)

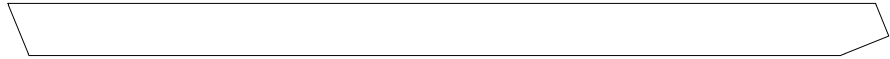
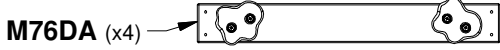
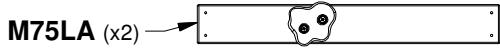


TIP:
INSTALL T-NUTS IN WOOD FIRST



STEP 2 - ROCK WALL ASSEMBLY

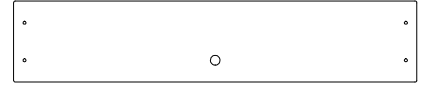
QTY	PART NUMBER	DESCRIPTION
64	H100086	SCREW PFH 8x1-1/2"



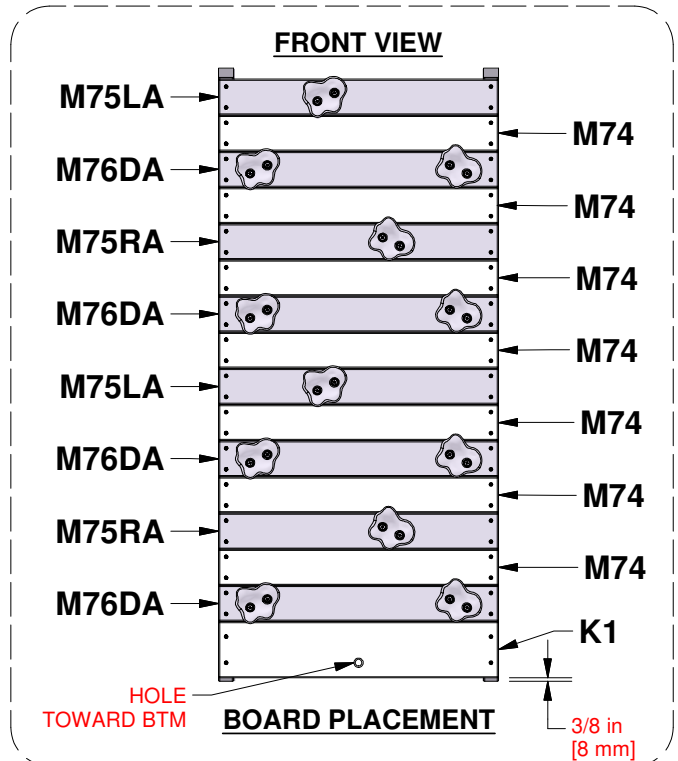
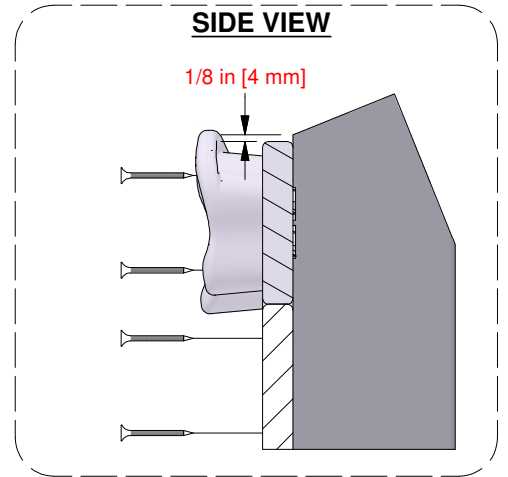
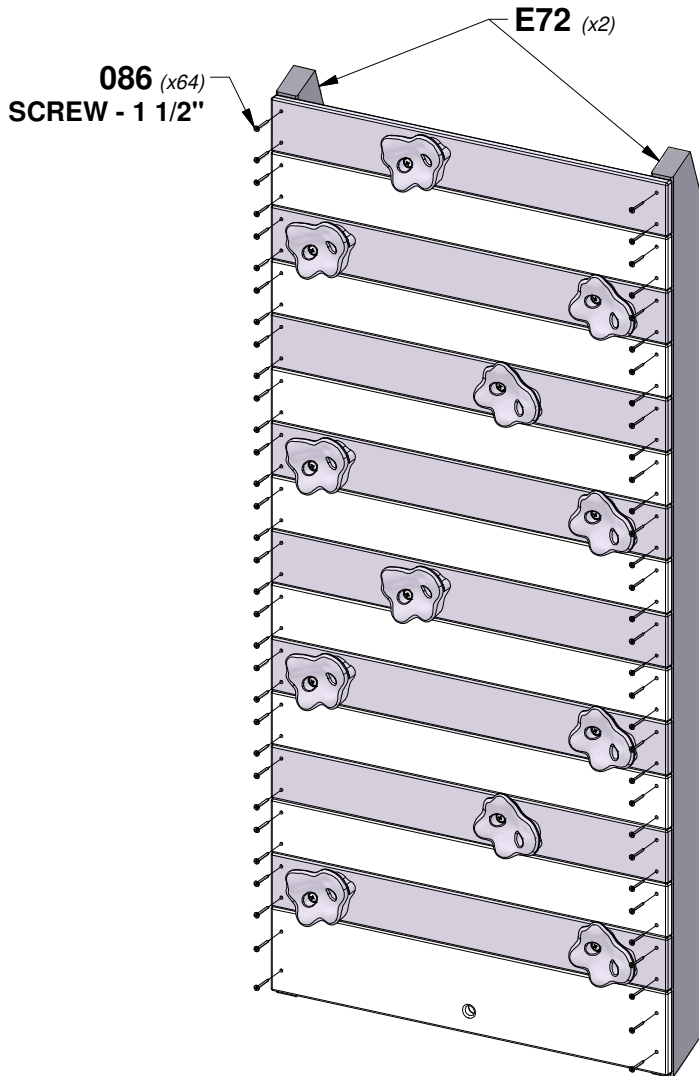
E72 RAIL - W4L17808
(x2) 1 3/8"x3 3/8"x57 3/8" (36x86x1457)



M74 ROCK WALL BOARD - W4L17810
(x7) 5/8"x3 3/8"x26 1/4" (16x86x667)

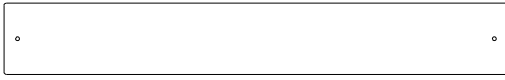


K1 ROCK WALL BOARD - W4L17813
(x1) 5/8"x5 1/4"x26 1/4" (16x134x667)

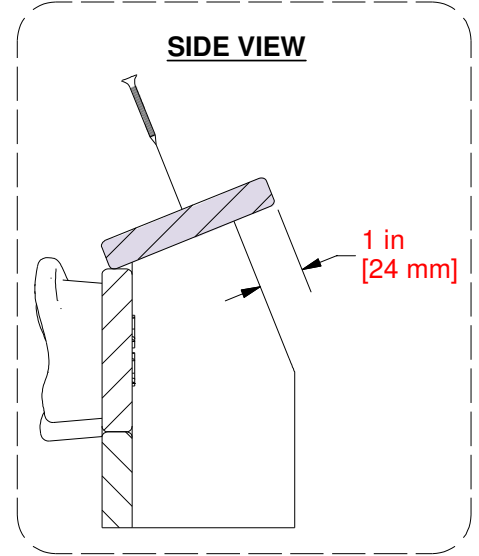
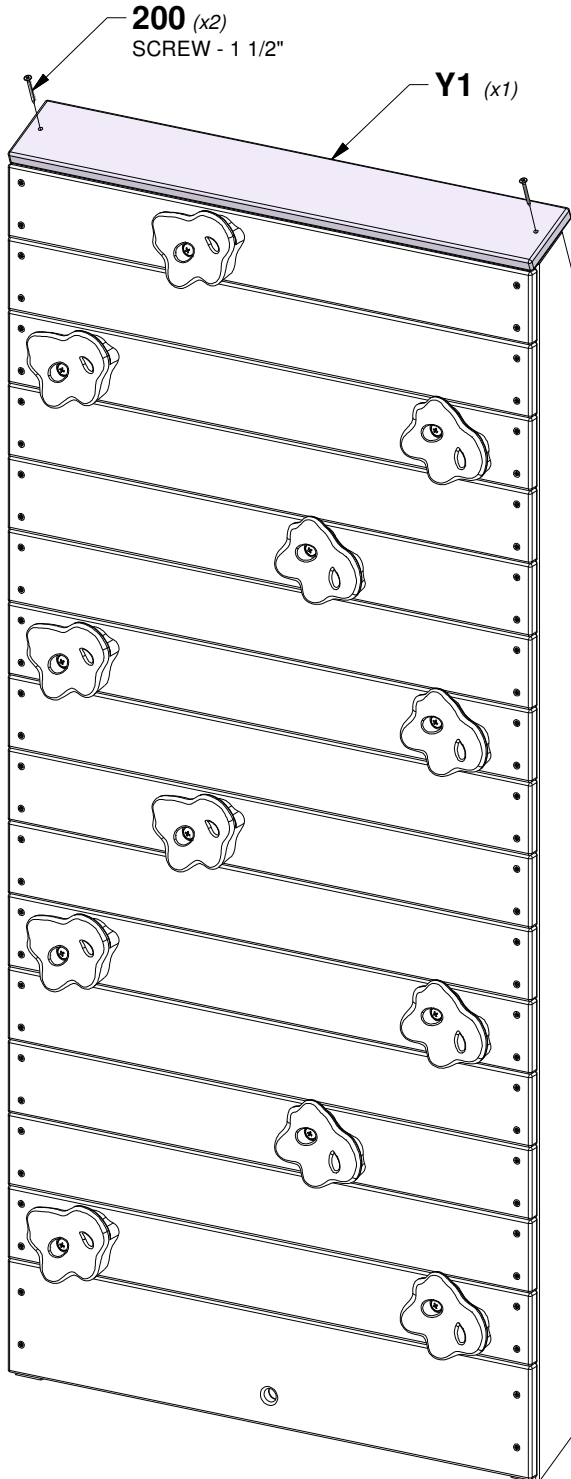


STEP 3 - ROCK WALL ASSEMBLY

QTY	PART NUMBER	DESCRIPTION
2	H100200	SCREW PFH 8x1-1/2 BLK



Y1 TOP BOARD - W4L17809
(x1) 5/8"x3 3/4"x26 1/4" (16x94x667)



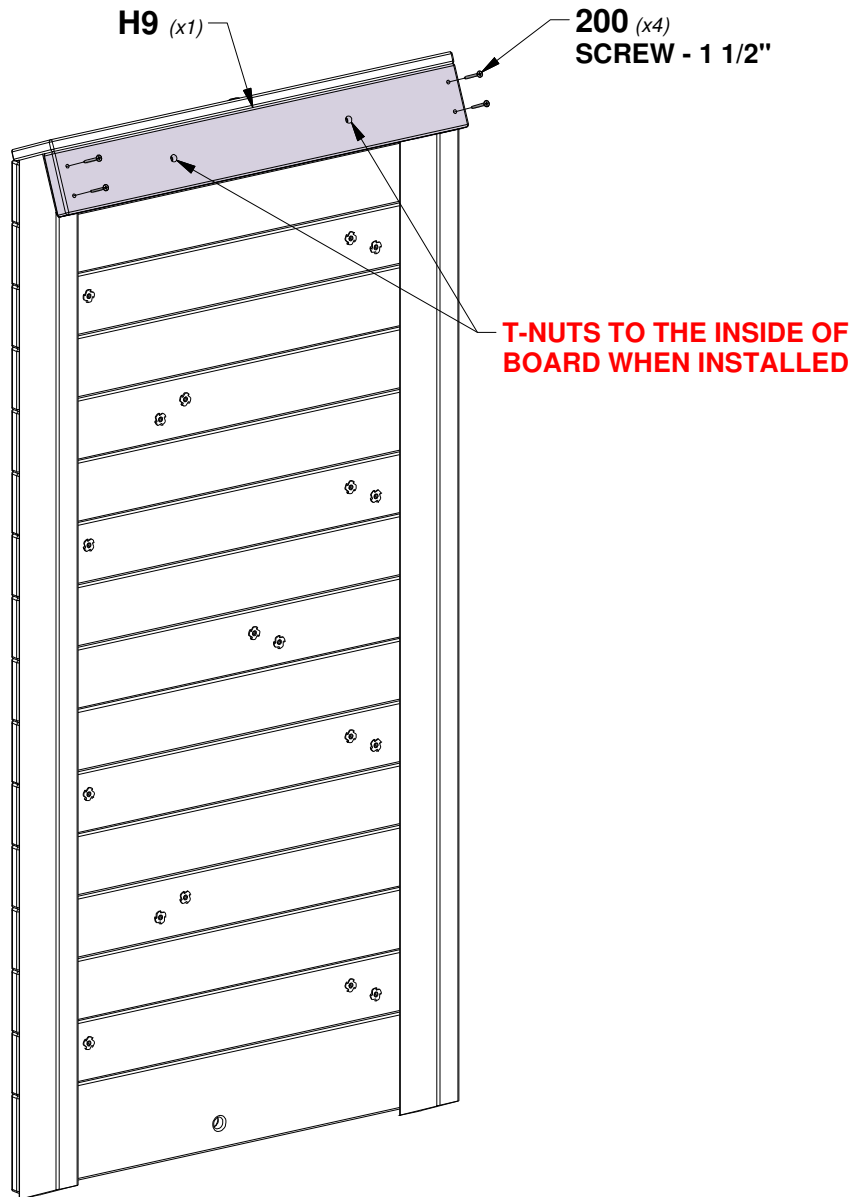
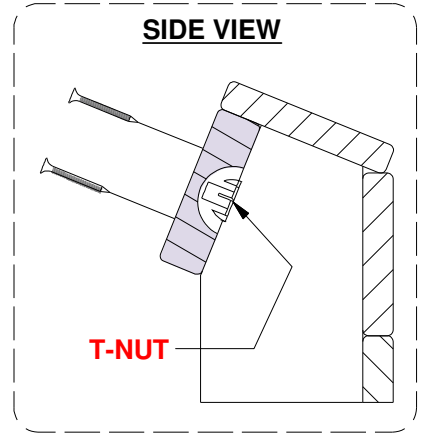
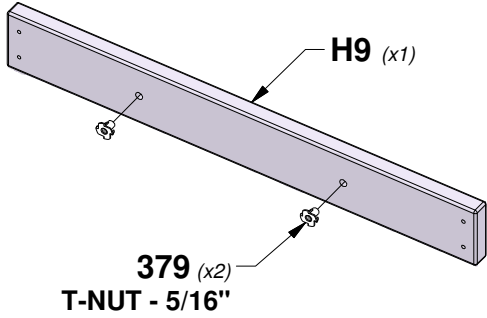
STEP 4 - ROCK WALL ASSEMBLY

QTY	PART NUMBER	DESCRIPTION
4	H100200	SCREW PFH 8x1-1/2 BLK
2	H100379	T-NUT 5/16 BLK



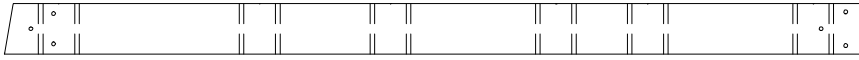
H9 ATTACHMENT BOARD - W4L17814
 (x1) 1"x3 3/8"x26 1/4" (24x86x667)

TIP:
INSTALL T-NUTS IN WOOD FIRST

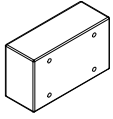


STEP 1 - SWING BEAM ASSEMBLY

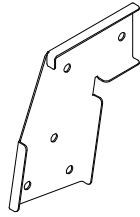
QTY	PART NUMBER	DESCRIPTION
10	H100192	NUT BARREL WH 5/16x7/8 BLK
10	H100416	BOLT WH 5/16x3 BLK



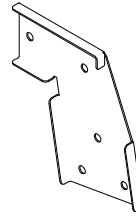
A1 SWING BEAM EXTENDED - W4L17819
(x1) 3 3/8"x5 1/4"x89 1/2" (86x134x2274)



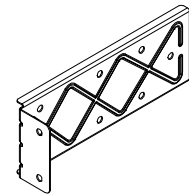
A2 SB 9" BLOCK - W4L17820
(x1) 3 3/8"x5 1/4"x9" (86x134x228)



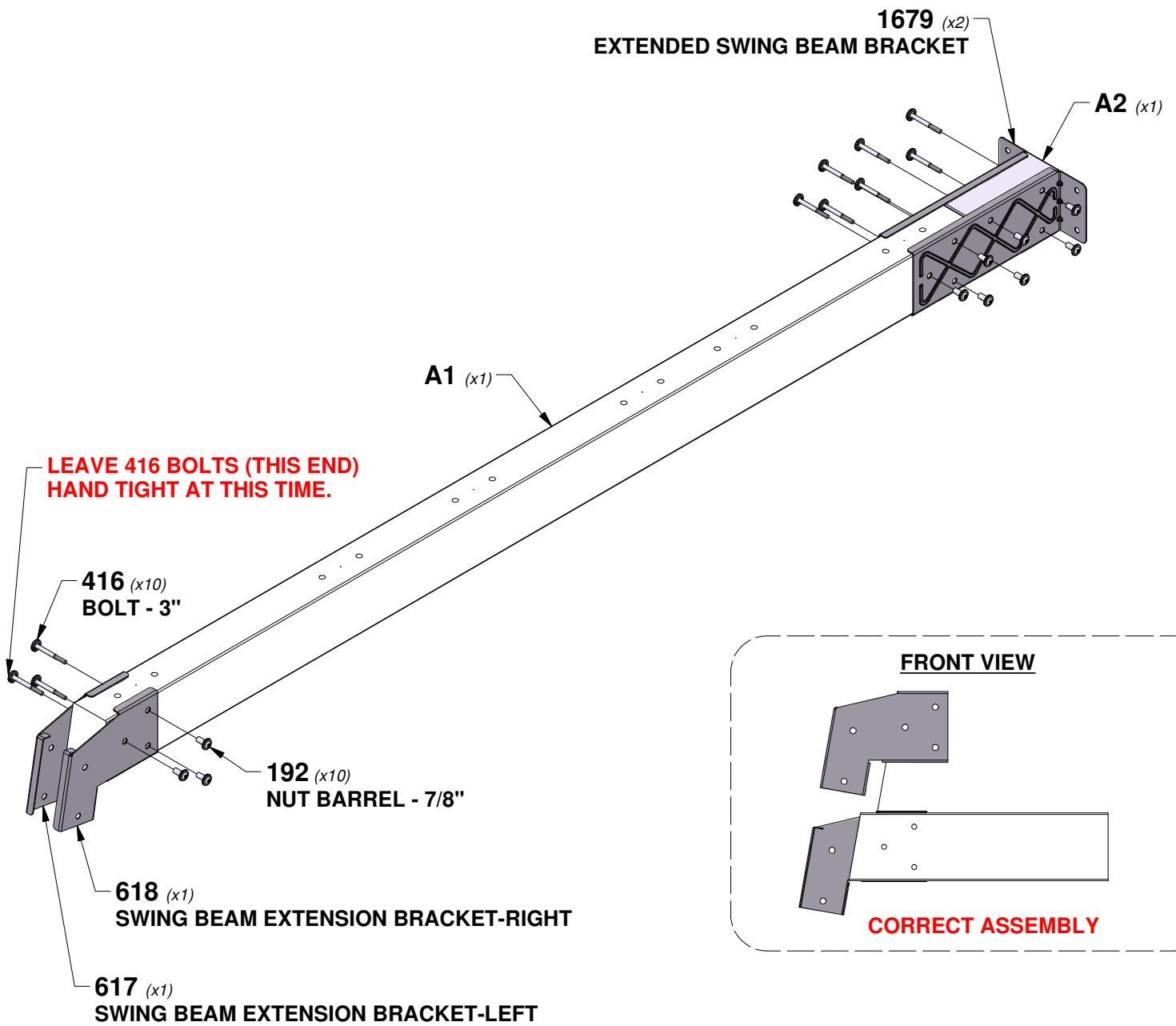
A4M00618 SWING BEAM EXTENSION BRACKET-RIGHT
(x1)



A4M00617 SWING BEAM EXTENSION BRACKET-LEFT
(x1)

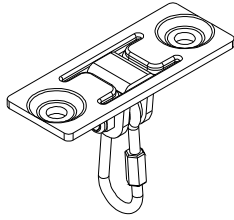


A4M01679 EXTENDED SWING BEAM BRACKET
(x2)



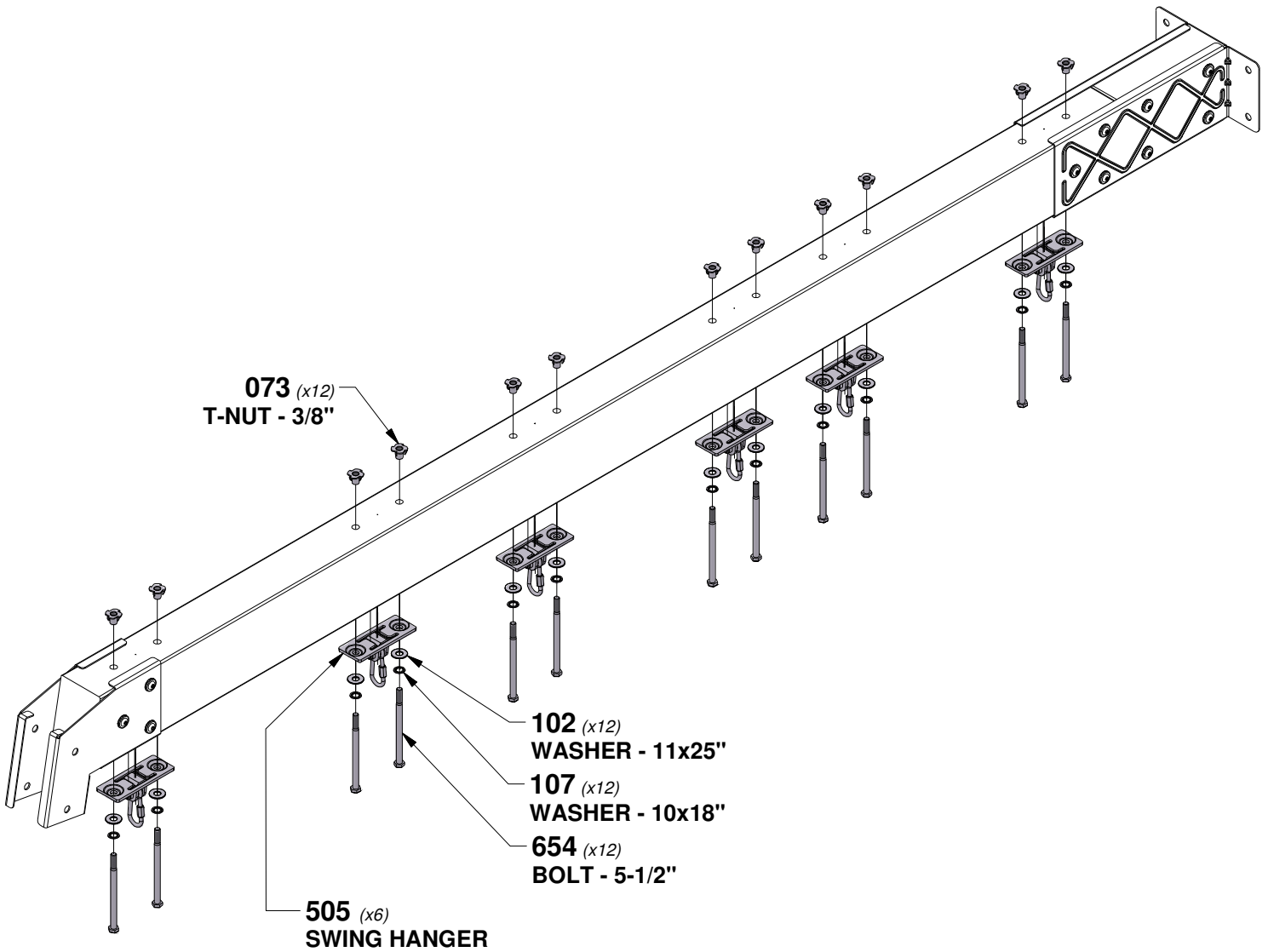
STEP 2 - SWING BEAM ASSEMBLY

QTY	PART NUMBER	DESCRIPTION
12	H100073	T-NUT 3/8
12	H100102	WASHER FLAT 11x25
12	H100107	WASHER LOCK INT 10x18
12	H100654	BOLT HEX 3/8x5-1/2



A4M00505
(x6) **SWING HANGER**

TIP:
INSTALL T-NUTS IN WOOD FIRST

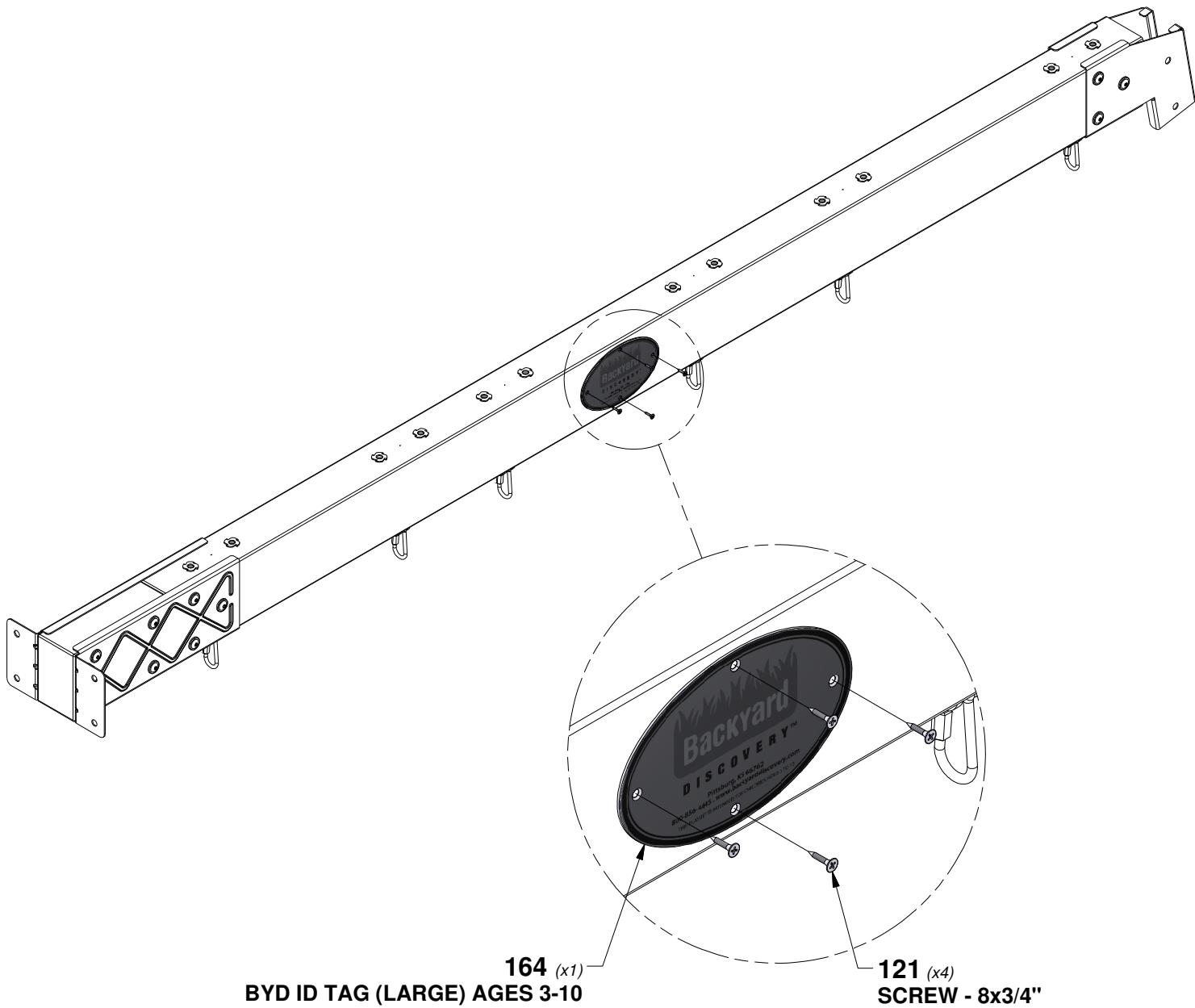


STEP 3 - SWING BEAM ASSEMBLY

QTY	PART NUMBER	DESCRIPTION
4	H100121	SCREW PFH 8x3/4



A100164
(x1) **BYD ID TAG (LARGE) AGES 3-10**



STEP 4 - SWING BEAM ASSEMBLY

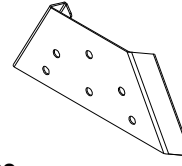
QTY	PART NUMBER	DESCRIPTION
6	H100379	T-NUT 5/16 BLK
4	H100407	BOLT WH 5/16x1 1/2 BLK
2	H100503	BOLT WH 5/16x3-1/2 BLK



E77 ANGLE BRACE - W4L17625
(x2) 1 3/8"x3 3/8"x78" (36x86x1980)

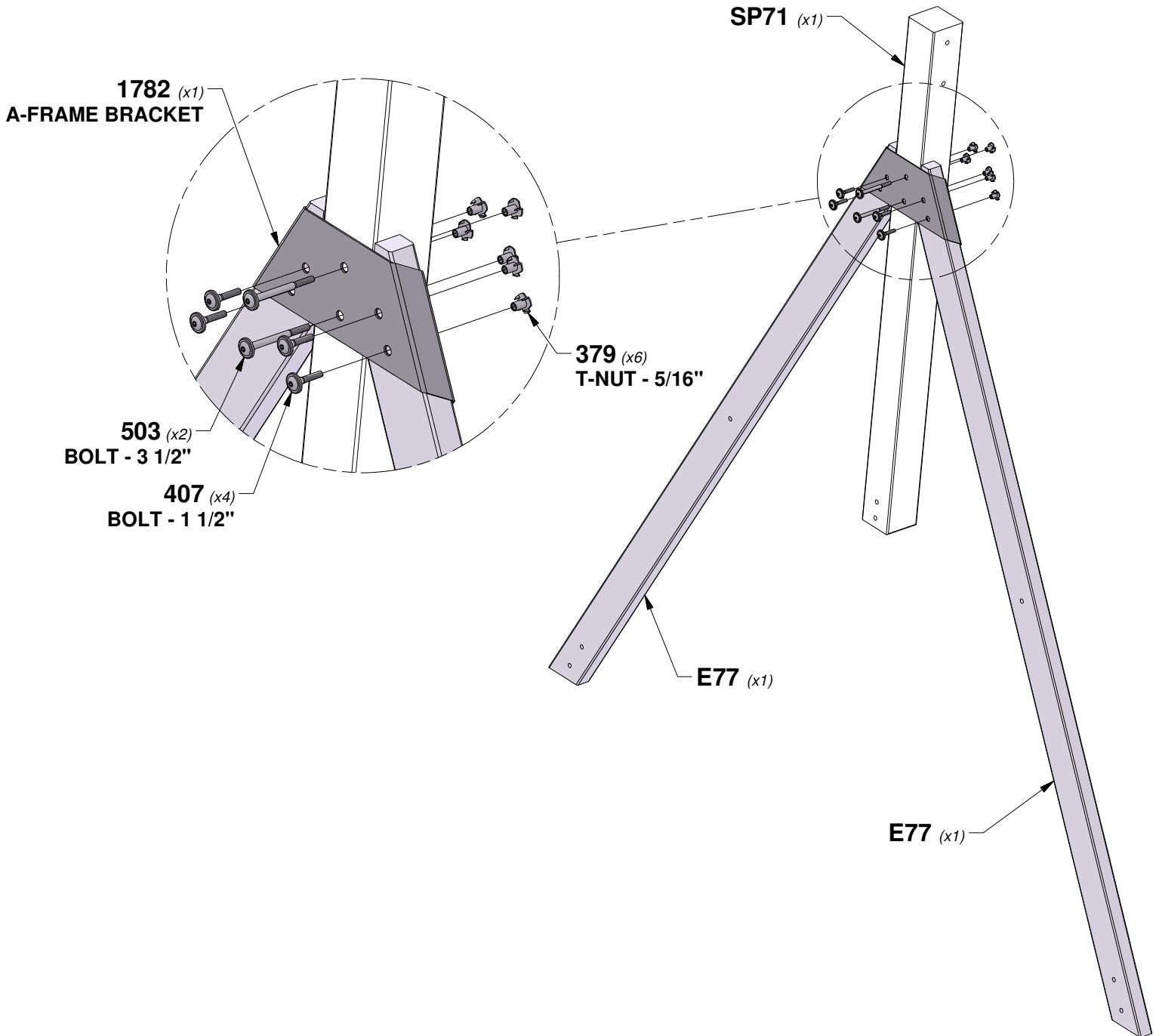


SP71 SWING BEAM SUPPORT - W4L17638
(x1) 3 3/8"x3 3/8"x49 1/2" (86x86x1256)

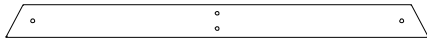


A4M01782 A-FRAME BRACKET
(x1)

TIP:
INSTALL T-NUTS IN WOOD FIRST



STEP 5 - SWING BEAM ASSEMBLY



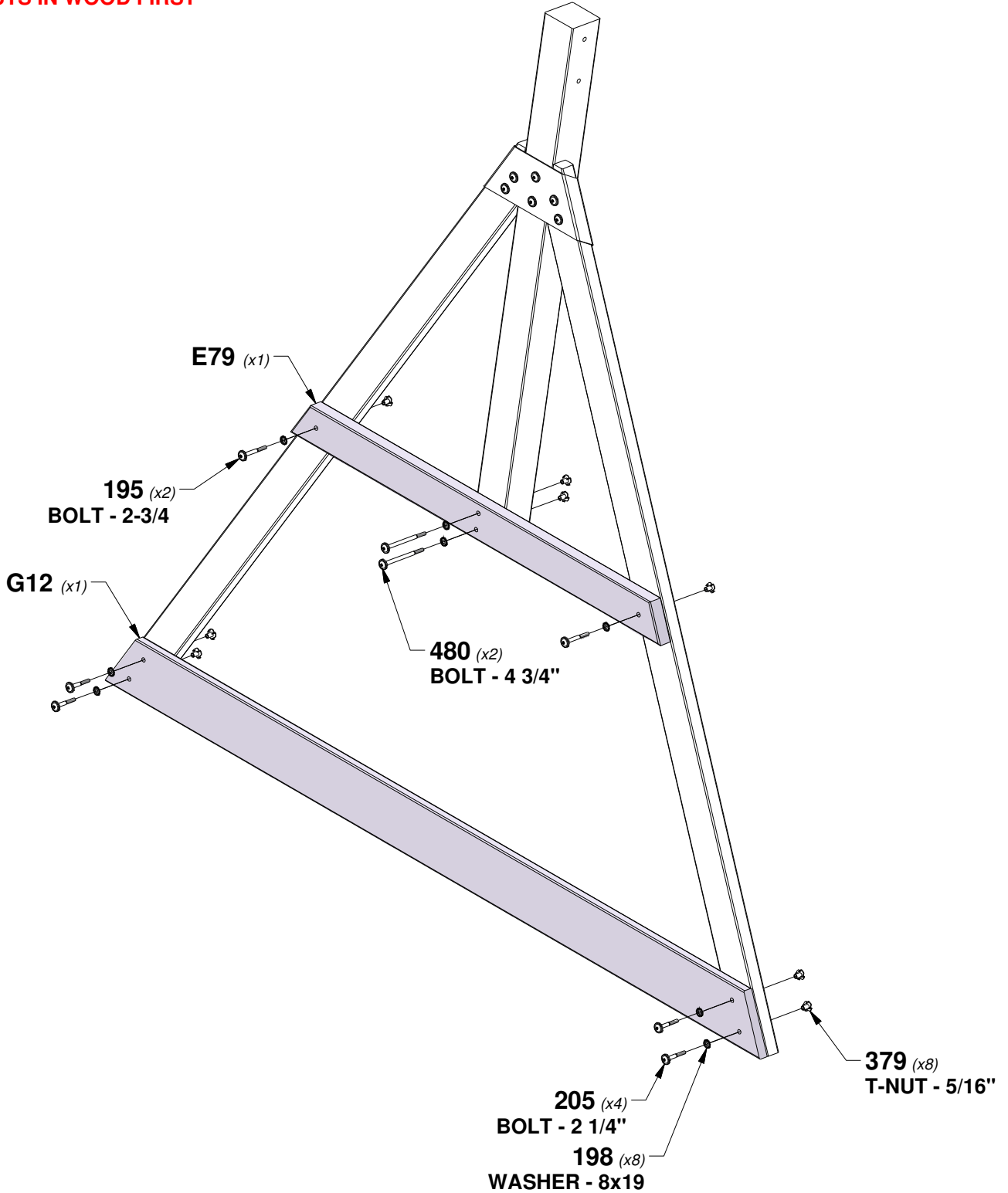
E79 END SUPPORT - W4L17626
(x1) 1 1/2"x3 1/2"x44" (36x86x1120)



G12 GROUND BOARD - W4L17627
(x1) 1"x5 1/4"x78 1/8" (24x134x1984)

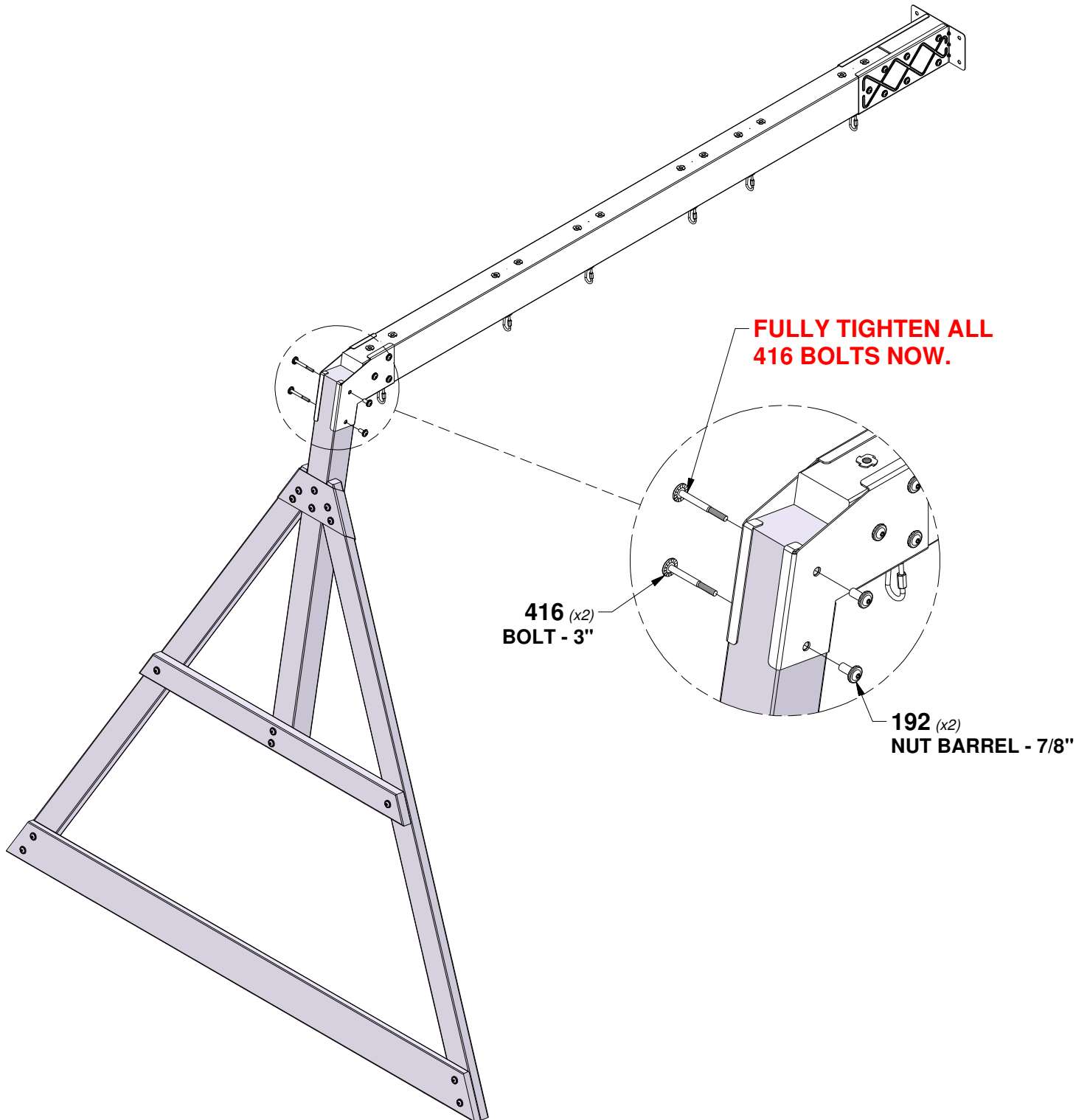
QTY	PART NUMBER	DESCRIPTION
2	H100195	BOLT WH 5/16x2-3/4 BLK
8	H100198	WASHER LOCK EXT 8x19 BLK
4	H100205	BOLT WH 5/16x2-1/4 BLK
8	H100379	T-NUT 5/16 BLK
2	H100480	BOLT WH 5/16x4 3/4 BLK

TIP:
INSTALL T-NUTS IN WOOD FIRST



STEP 6 - SWING BEAM ASSEMBLY

QTY	PART NUMBER	DESCRIPTION
2	H100192	NUT BARREL WH 5/16x7/8 BLK
2	H100416	BOLT WH 5/16x3 BLK



STEP 1 - FORT ASSEMBLY

QTY	PART NUMBER	DESCRIPTION
4	H100195	BOLT WH 5/16x2-3/4 BLK
8	H100198	WASHER LOCK EXT 8x19 BLK
12	H100379	T-NUT 5/16 BLK
4	H100457	BOLT WH 5/16x2 BLK



E7 RIGHT REAR UPRIGHT - W4L17831
 (x1) 1 3/8"x3 3/8"x43 1/2" (36x86x1104)



E9 RIGHT FRONT UPRIGHT - W4L17833
 (x1) 1 3/8"x3 3/8"x43 1/2" (36x86x1104)

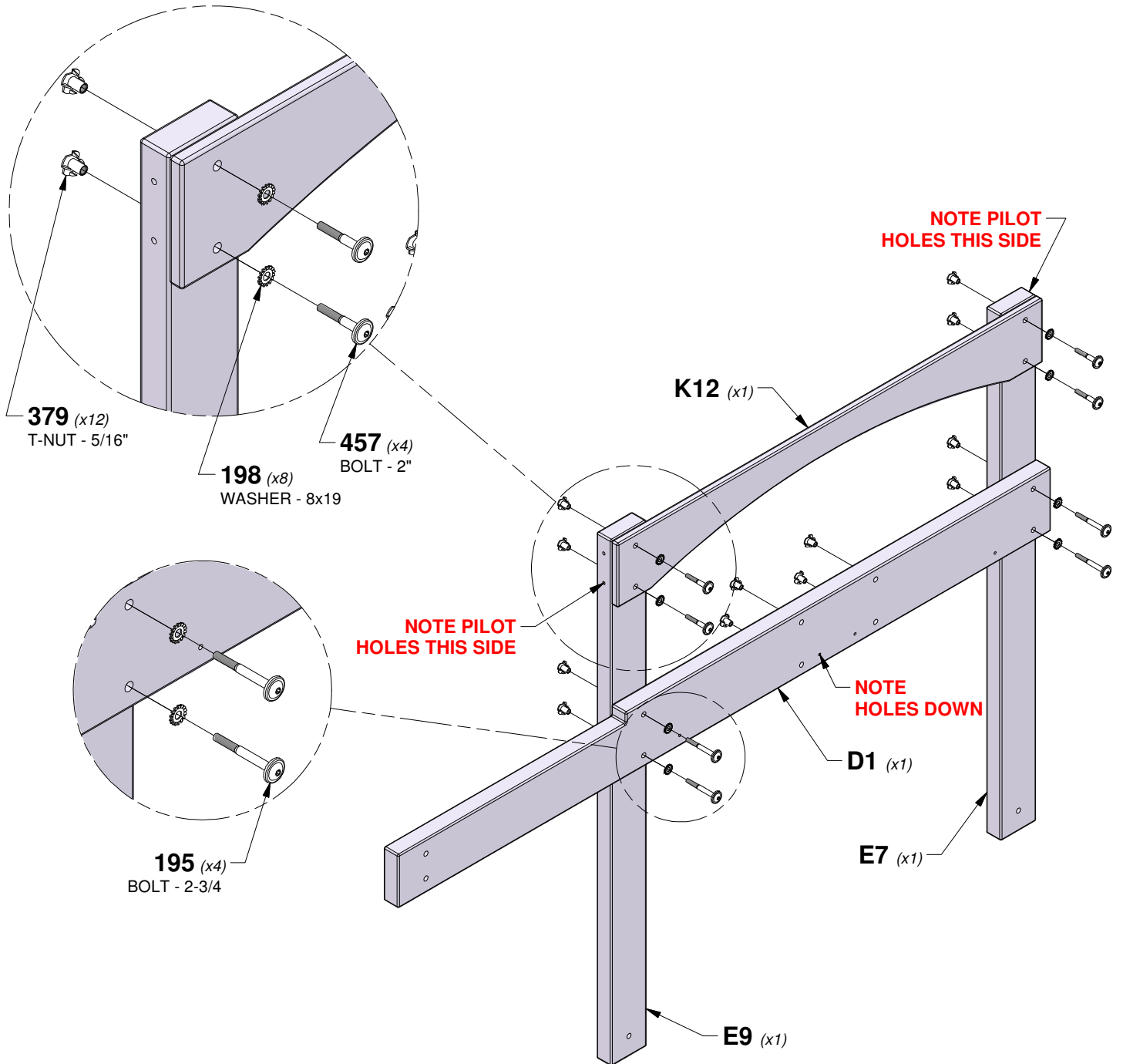


D1 SWING BEAM MOUNT - W4L17652
 (x1) 1 3/8"x5 1/4"x62 3/8" (36x134x1585)



K12 ARCHED WALL RAIL - W4L11143
 (x1) 5/8"x5 1/4"x40 5/8" (16x134x1032)

TIP:
INSTALL T-NUTS IN WOOD FIRST

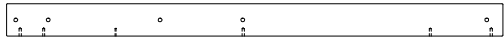


STEP 2 - FORT ASSEMBLY

QTY	PART NUMBER	DESCRIPTION
6	H100198	WASHER LOCK EXT 8x19 BLK
6	H100205	BOLT WH 5/16x2-1/4 BLK
6	H100379	T-NUT 5/16 BLK



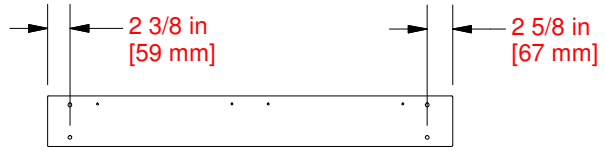
G5 RIGHT CENTER WALL RAIL - W4L17644
(x1) 1"x5 1/4"x63 3/8" (24x134x1609)



E4 RIGHT FRONT UPRIGHT - W4L17825
(x1) 1 3/8"x3 3/8"x51 3/4" (36x86x1314)

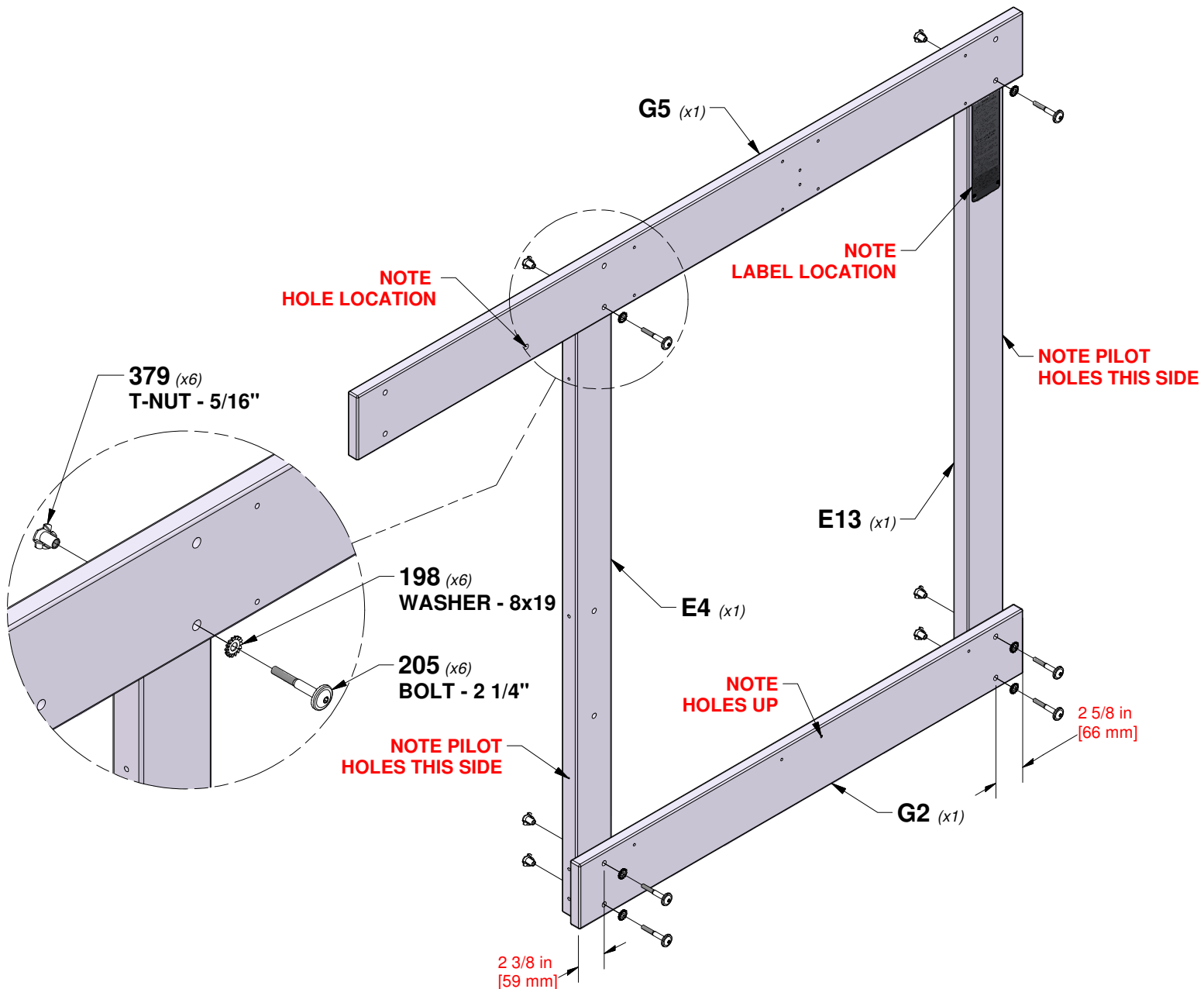


E13 RIGHT REAR UPRIGHT ASSEMBLY - W2A03847
(x1) 1 3/8"x3 3/8"x51 3/4" (36x86x1314)



G2 GROUND BOARD - W4L17641
(x1) 1"x5 1/4"x42 1/4" (24x134x1072)

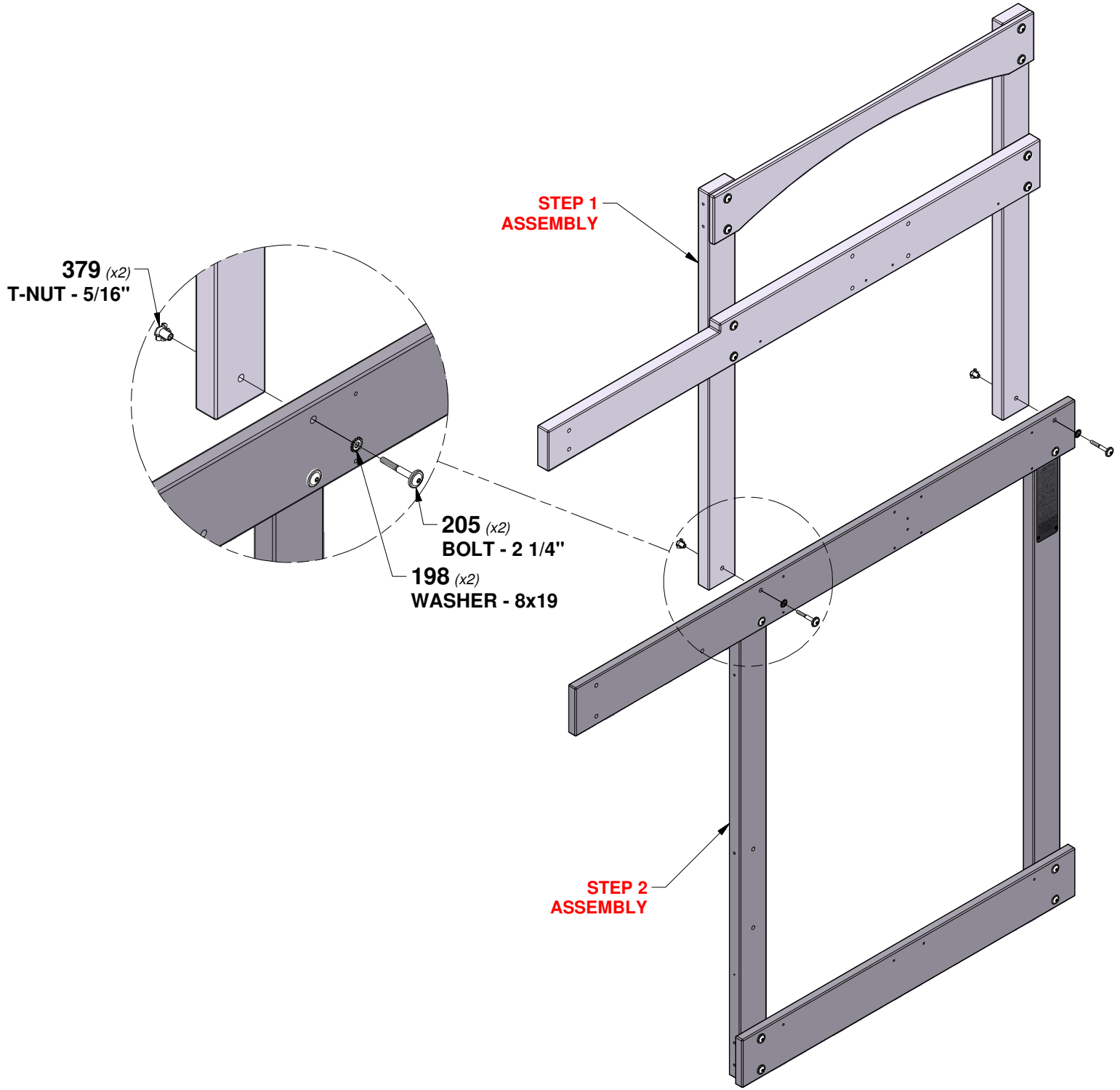
TIP:
INSTALL T-NUTS IN WOOD FIRST



STEP 3 - FORT ASSEMBLY

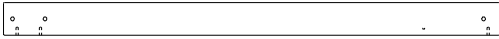
QTY	PART NUMBER	DESCRIPTION
2	H100198	WASHER LOCK EXT 8x19 BLK
2	H100205	BOLT WH 5/16x2-1/4 BLK
2	H100379	T-NUT 5/16 BLK

TIP:
INSTALL T-NUTS IN WOOD FIRST



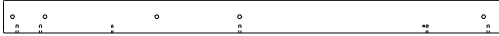
STEP 4 - FORT ASSEMBLY

QTY	PART NUMBER	DESCRIPTION
12	H100198	WASHER LOCK EXT 8x19 BLK
8	H100205	BOLT WH 5/16x2-1/4 BLK
12	H100379	T-NUT 5/16 BLK
4	H100457	BOLT WH 5/16x2 BLK



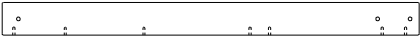
E2 LEFT REAR UPRIGHT - W4L17823

(x1) 1 3/8"x3 3/8"x51 3/4" (36x86x1314)



E3 LEFT FRONT UPRIGHT - W4L17824

(x1) 1 3/8"x3 3/8"x51 3/4" (36x86x1314)



E6 LEFT REAR UPRIGHT - W4L17830

(x1) 1 3/8"x3 3/8"x43 1/2" (36x86x1104)



E8 LEFT FRONT UPRIGHT - W4L17832

(x1) 1 3/8"x3 3/8"x43 1/2" (36x86x1104)



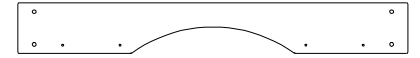
G3 GROUND BOARD - W4L17642

(x1) 1"x5 1/4"x42 1/4" (24x134x1072)



G8 LEFT CENTER WALL RAIL - W4L17647

(x1) 1"x5 1/4"x40 5/8" (24x134x1032)

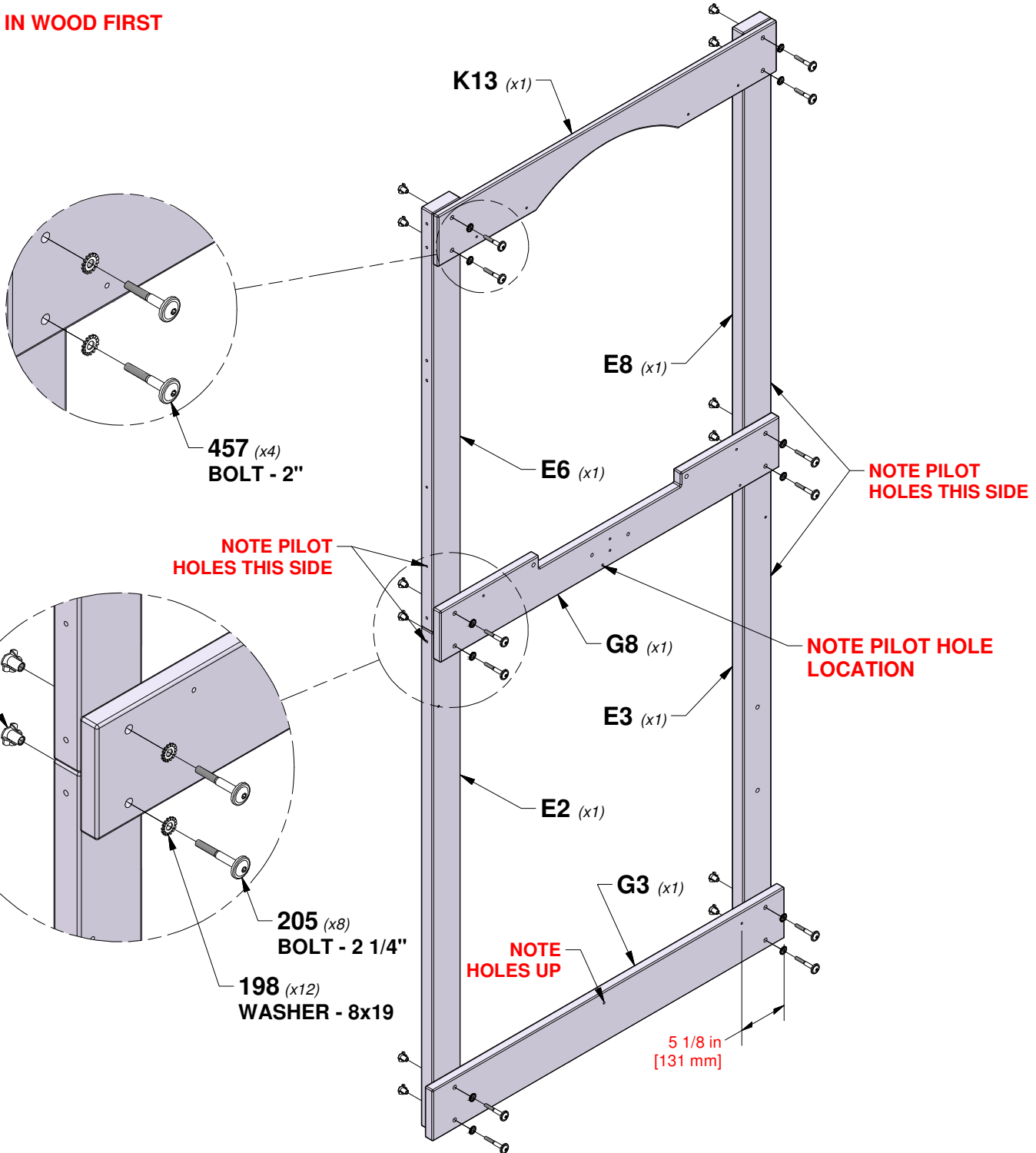


K13 ARCHED WALL RAIL - W4L11144

(x1) 5/8"x5 1/4"x40 5/8" (16x134x1032)

5 1/8 in
[131 mm]

TIP:
INSTALL T-NUTS IN WOOD FIRST



STEP 5 - FORT ASSEMBLY

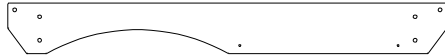
QTY	PART NUMBER	DESCRIPTION
3	H100197	LAG SCREW WH 5/16x2-1/2 BLK
12	H100198	WASHER LOCK EXT 8x19 BLK
2	H100206	LAG SCREW WH 5/16x3 BLK
2	H100458	LAG SCREW WH 5/16x2 BLK
6	H100471	LAG SCREW WH 5/16x1-1/2 BLK



G6 FRONT CENTER WALL RAIL - W4L17645
(x1) 1"x5 1/4"x61 3/4" (24x134x1570)



K4 GROUND BOARD - W4L11116
(x1) 5/8"x5 1/4"x40 1/2" (16x134x1030)

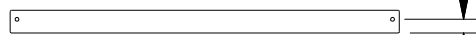


K15 ANGLED WALL RAIL - W4L11146
(x1) 5/8"x5 1/4"x45 3/4" (16x134x1162)



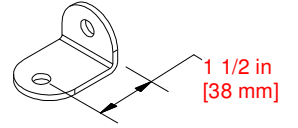
M1 WALL RAIL - W4L11154
(x1) 5/8"x3 3/8"x40 1/2" (16x86x1030)

7/8 in
[21 mm]



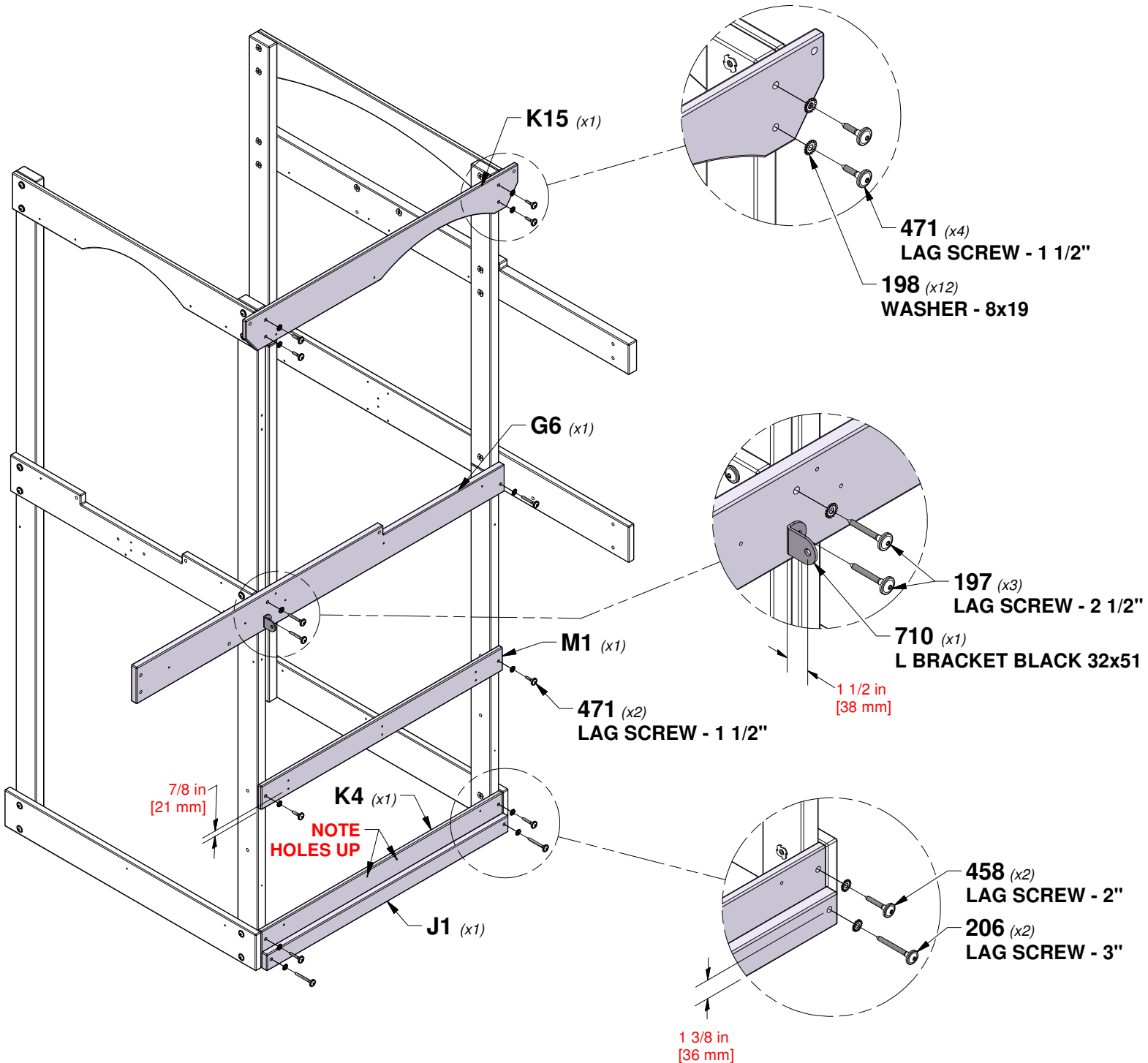
J1 PORCH GROUND BOARD - W4L11128
(x1) 1"x2 3/8"x40 1/2" (24x60x1030)

1 3/8 in
[36 mm]



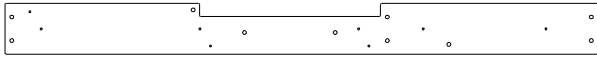
A4M00710 L BRACKET
(x1) **BLACK 32x51**

1 1/2 in
[38 mm]

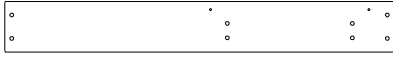


STEP 6 - FORT ASSEMBLY

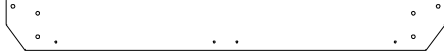
QTY	PART NUMBER	DESCRIPTION
8	H100197	LAG SCREW WH 5/16x2-1/2 BLK
12	H100198	WASHER LOCK EXT 8x19 BLK
4	H100471	LAG SCREW WH 5/16x1-1/2 BLK
2	H100379	T-NUT 5/16 BLK



G7 REAR CENTER WALL RAIL - W4L17646
(x1) 1"x5 1/4"x61 3/4" (24x134x1570)

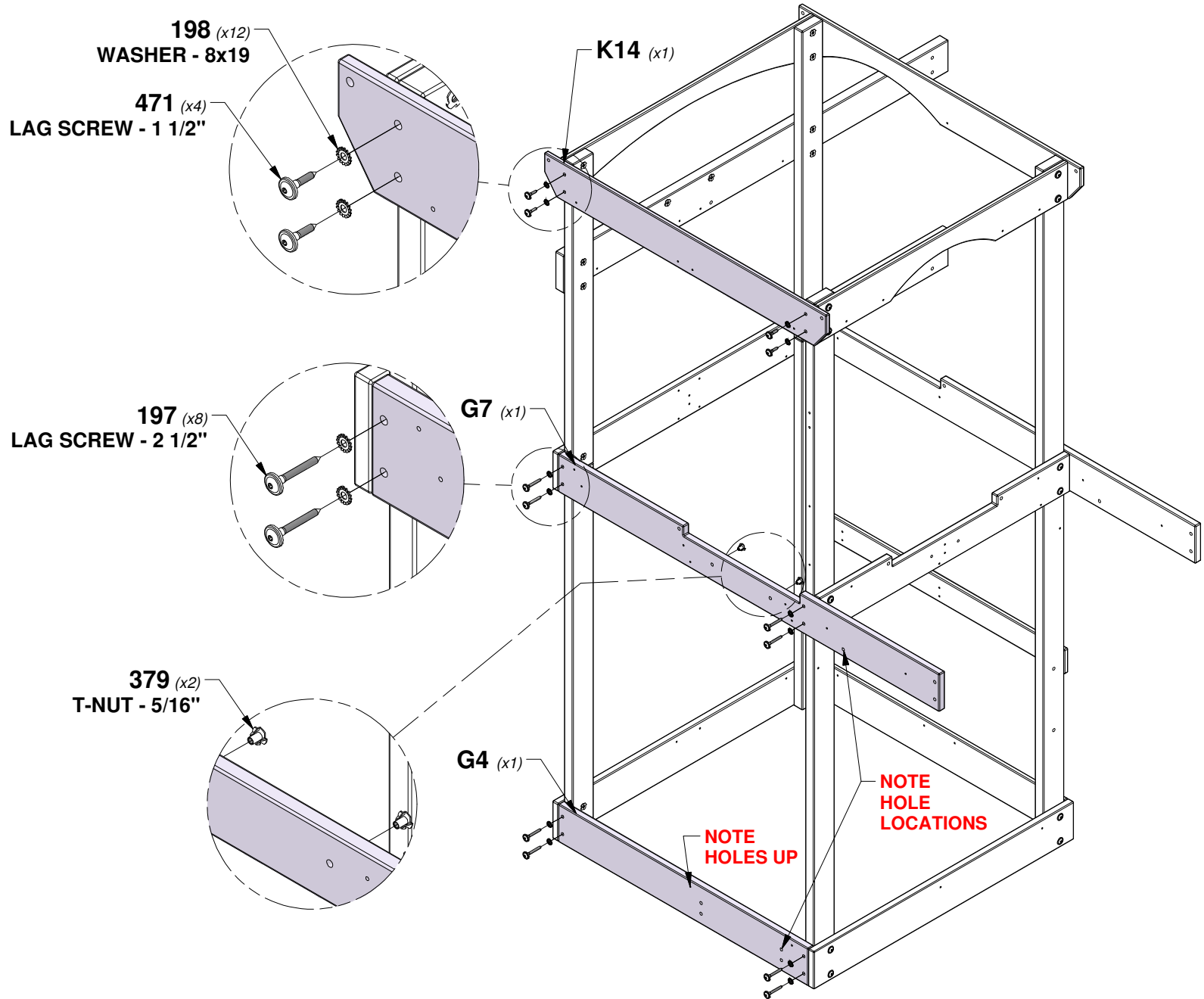


G4 GROUND BOARD - W4L17643
(x1) 1"x5 1/4"x40 1/2" (24x134x1030)



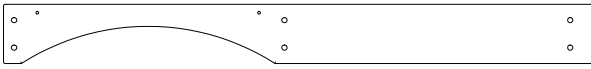
K14 ANGLED WALL RAIL - W4L11145
(x1) 5/8"x5 1/4"x45 3/4" (16x134x1162)

TIP:
INSTALL T-NUTS IN WOOD FIRST



STEP 7 - FORT ASSEMBLY

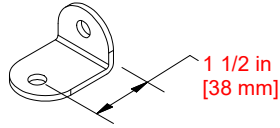
QTY	PART NUMBER	DESCRIPTION
4	H100197	LAG SCREW WH 5/16x2-1/2 BLK
3	H100198	WASHER LOCK EXT 8x19 BLK



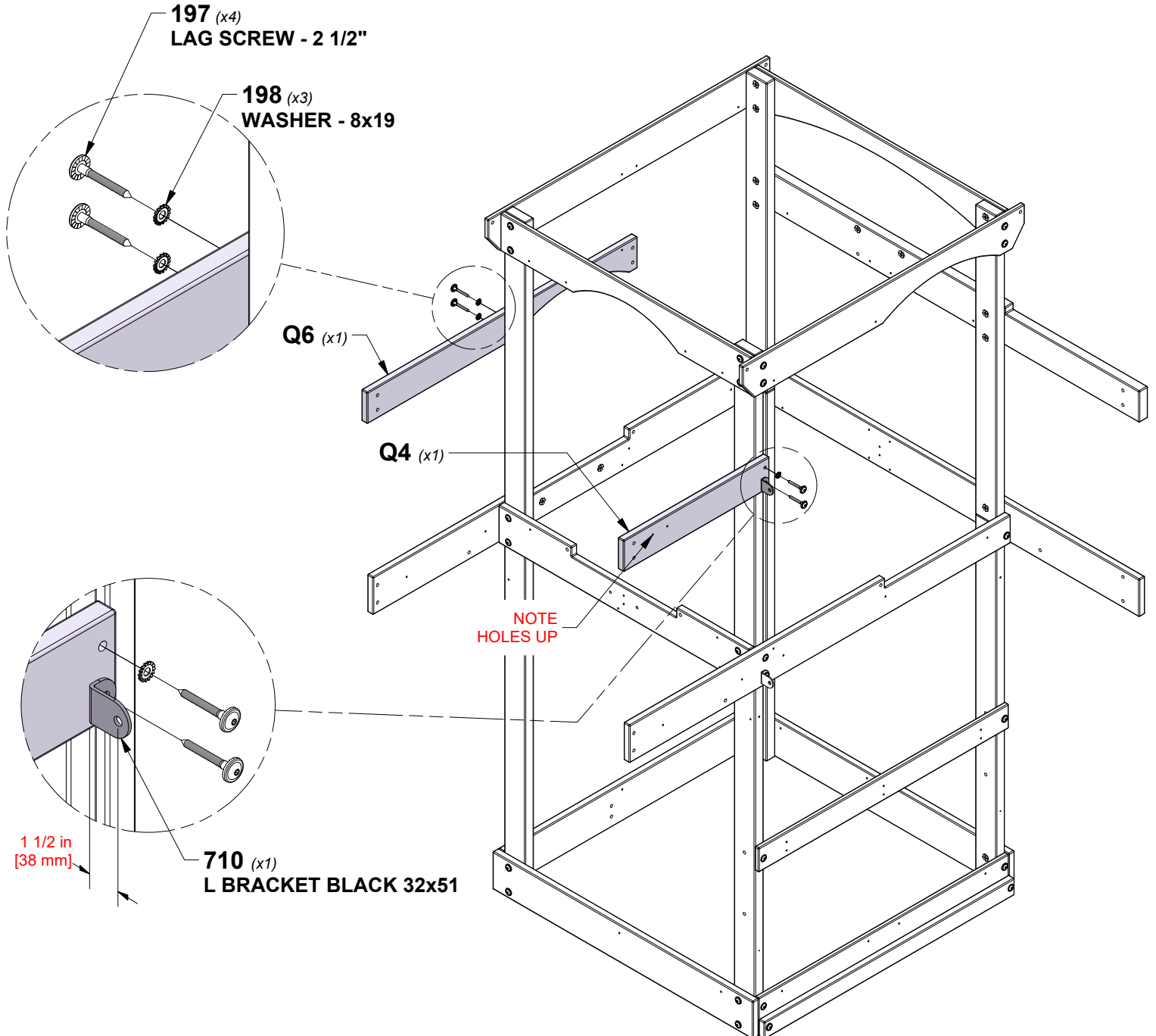
Q6 **ARCHED WALL RAIL - W4L17656**
 (x1) 1"x4 3/8"x43 7/8" (24x112x1113)



Q4 **WALL RAIL - W4L17654**
 (x1) 1"x4 3/8"x23 5/8" (24x112x600)

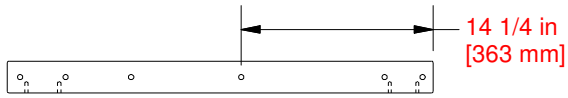


A4M00710 **L BRACKET**
 (x1) **BLACK 32x51**



STEP 8 - FORT ASSEMBLY

QTY	PART NUMBER	DESCRIPTION
8	H100197	LAG SCREW WH 5/16x2-1/2 BLK
16	H100198	WASHER LOCK EXT 8x19 BLK
8	H100205	BOLT WH 5/16x2-1/4 BLK
8	H100379	T-NUT 5/16 BLK

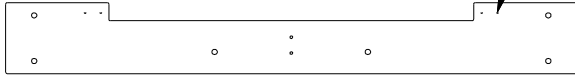


F1 RIGHT BALCONY UPRIGHT - W4L17806
(x1) 1 3/8"x2 3/8"x31 3/4" (36x60x805)

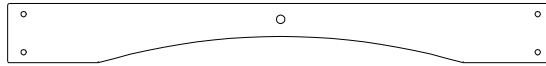


F2 LEFT BALCONY UPRIGHT - W4L17807
(x1) 1 3/8"x2 3/8"x31 3/4" (36x60x805)

PILOT HOLES INWARD WHEN INSTALLED

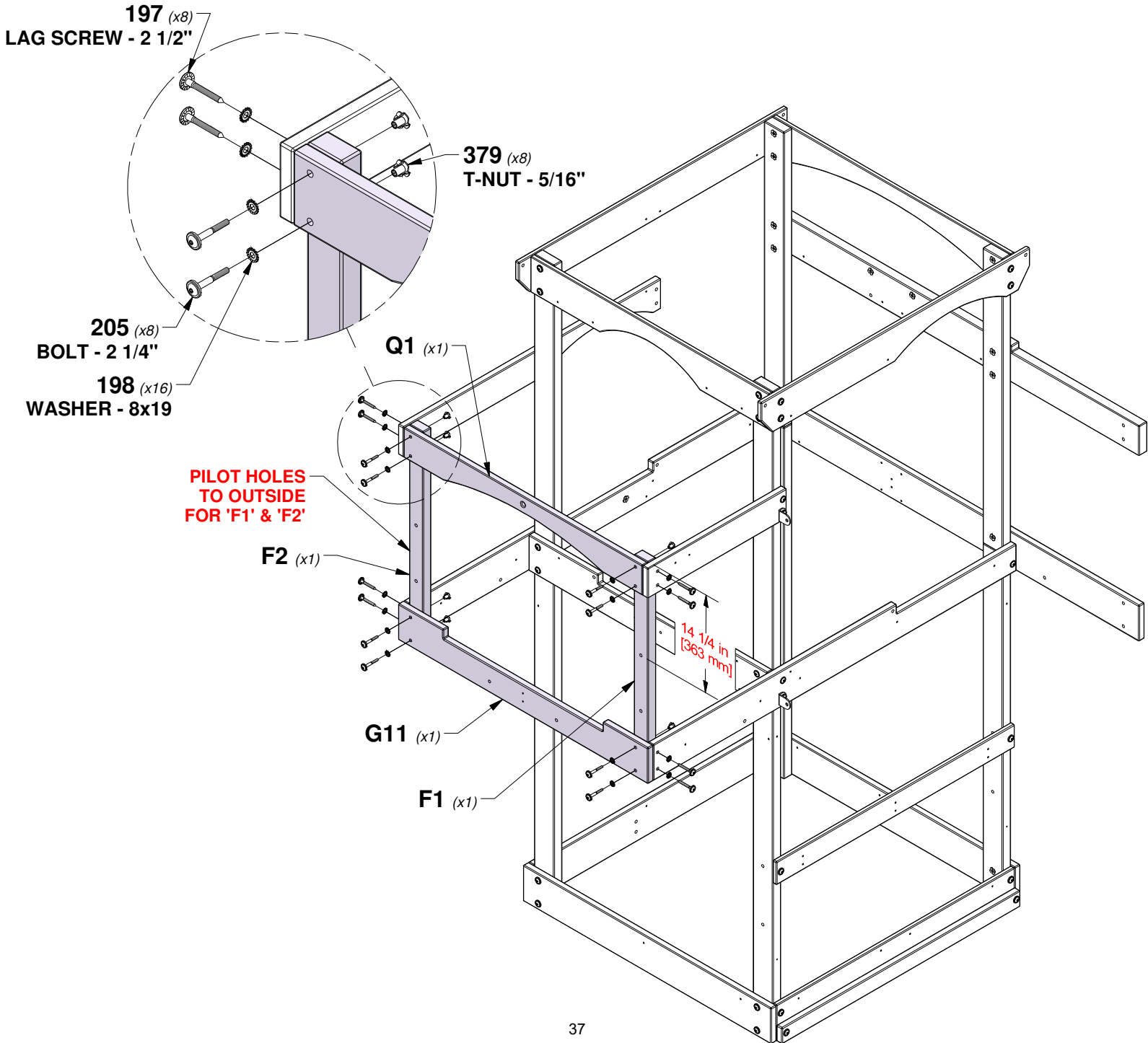


G11 LEFT SIDE WALL BOARD - W4L17651
(x1) 1"x5 1/4"x42 1/2" (24x134x1080)

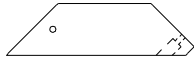


Q1 ARCHED WALL RAIL - W4L11142
(x1) 1"x4 3/8"x40 5/8" (24x112x1032)

TIP:
INSTALL T-NUTS IN WOOD FIRST



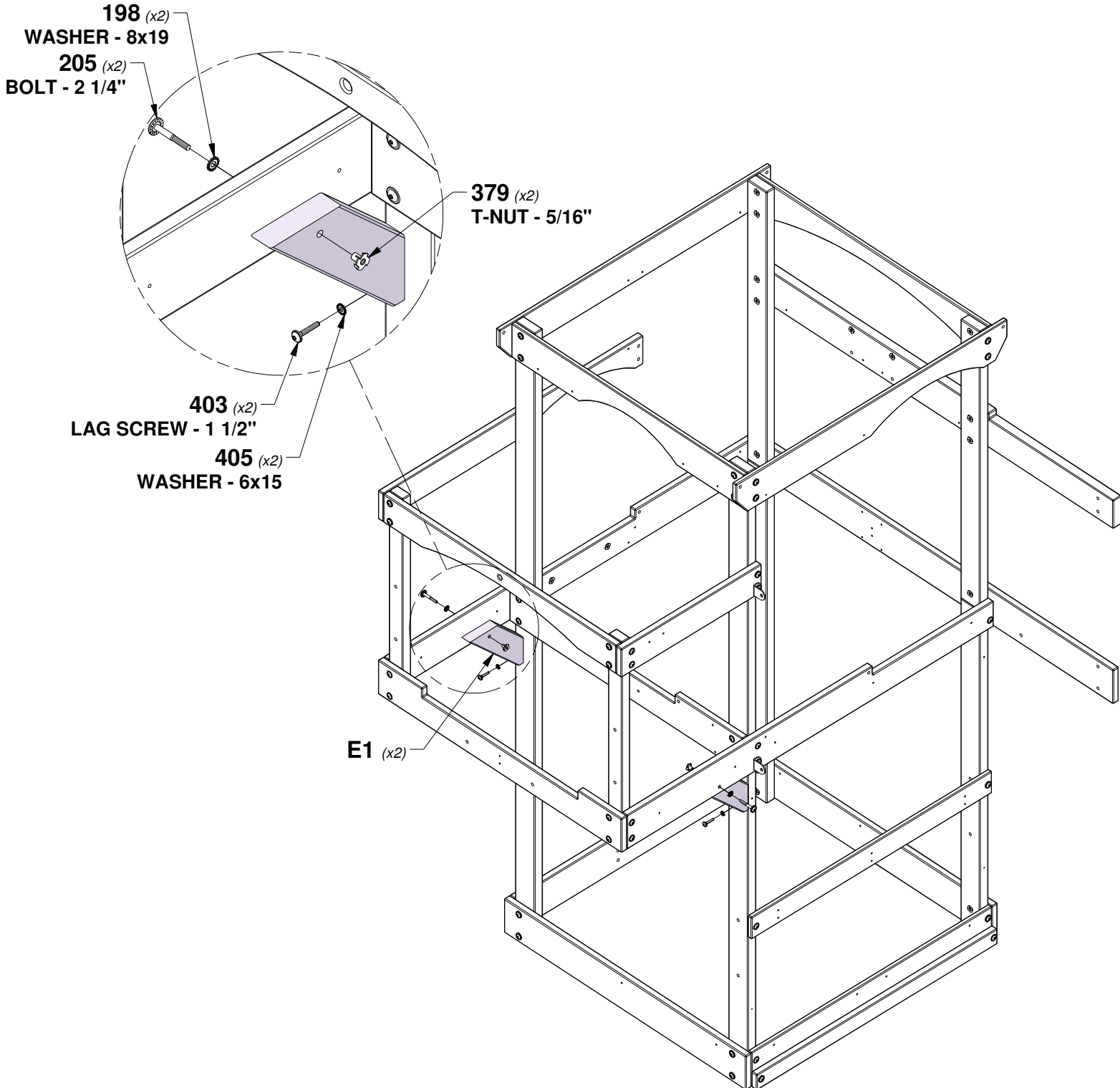
STEP 9 - FORT ASSEMBLY



E1 DECK BRACE - W4L17821
 (x2) 1 3/8"x3 3/8"x12 1/4" (36x86x311)

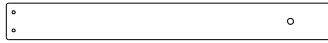
QTY	PART NUMBER	DESCRIPTION
2	H100198	WASHER LOCK EXT 8x19 BLK
2	H100205	BOLT WH 5/16x2-1/4 BLK
2	H100379	T-NUT 5/16 BLK
2	H100403	LAG SCREW WH 1/4x1-1/2 BLK
2	H100405	WASHER LOCK EXT 6x15 BLK

TIP:
INSTALL T-NUTS IN WOOD FIRST



STEP 10 - FORT ASSEMBLY

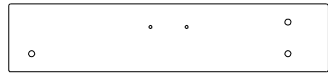
QTY	PART NUMBER	DESCRIPTION
2	H100192	NUT BARREL WH 5/16x7/8 BLK
2	H100199	WASHER LOCK EXT 12x19 BLK
4	H100382	SCREW PFH 8x1 3/4 BLK
2	H100396	BOLT WH 5/16x1/2 BLK



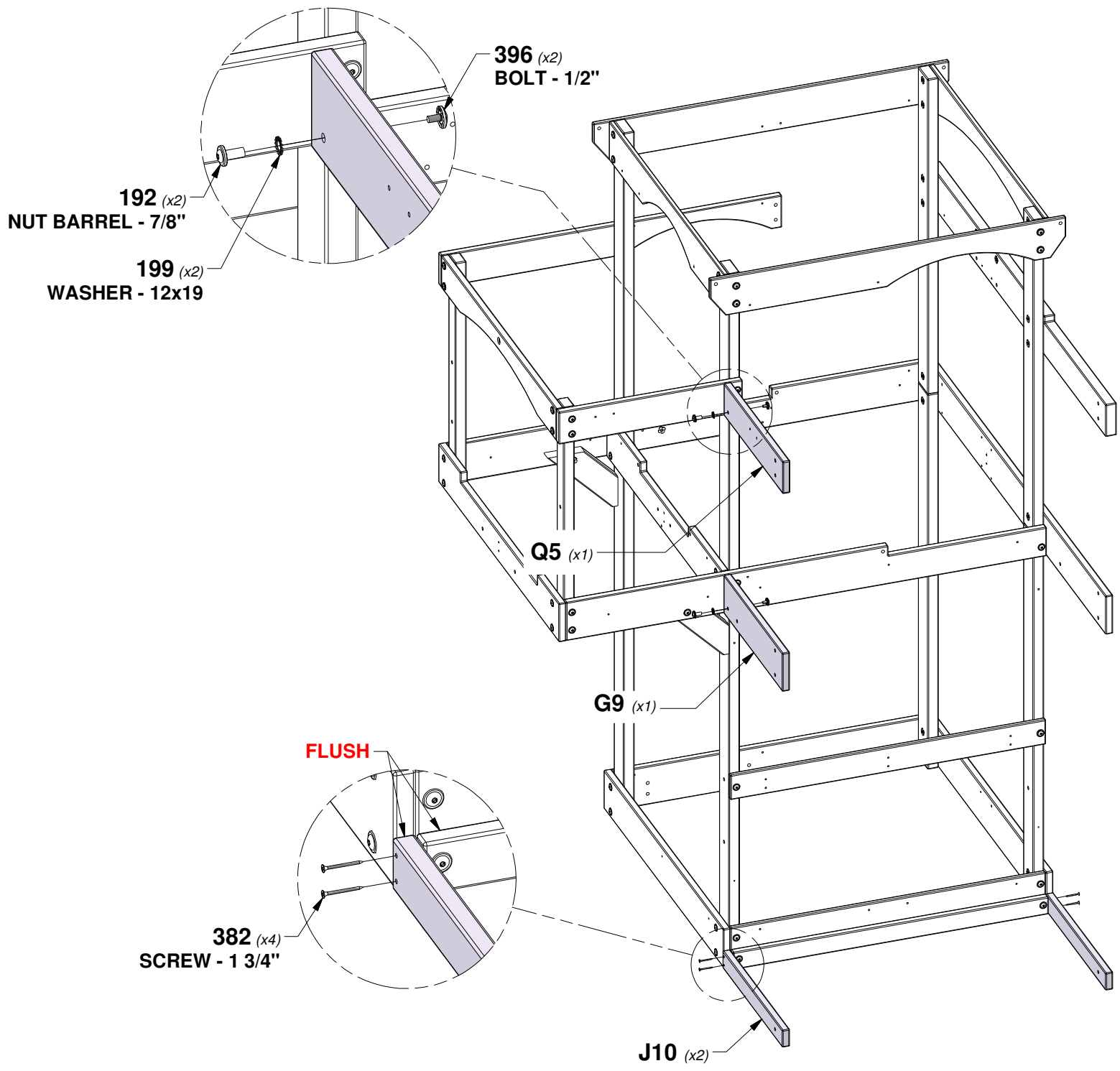
J10 PORCH GROUND BOARD - W4L17650
(x2) 1"x2 3/8"x21 1/8" (24x60x537)



G9 LEFT BALCONY WALL RAIL - W4L17648
(x1) 1"x5 1/4"x20 3/4" (24x134x528)



Q5 WALL RAIL - W4L17655
(x1) 1"x4 3/8"x20 7/8" (24x112x529)



STEP 11 - FORT ASSEMBLY



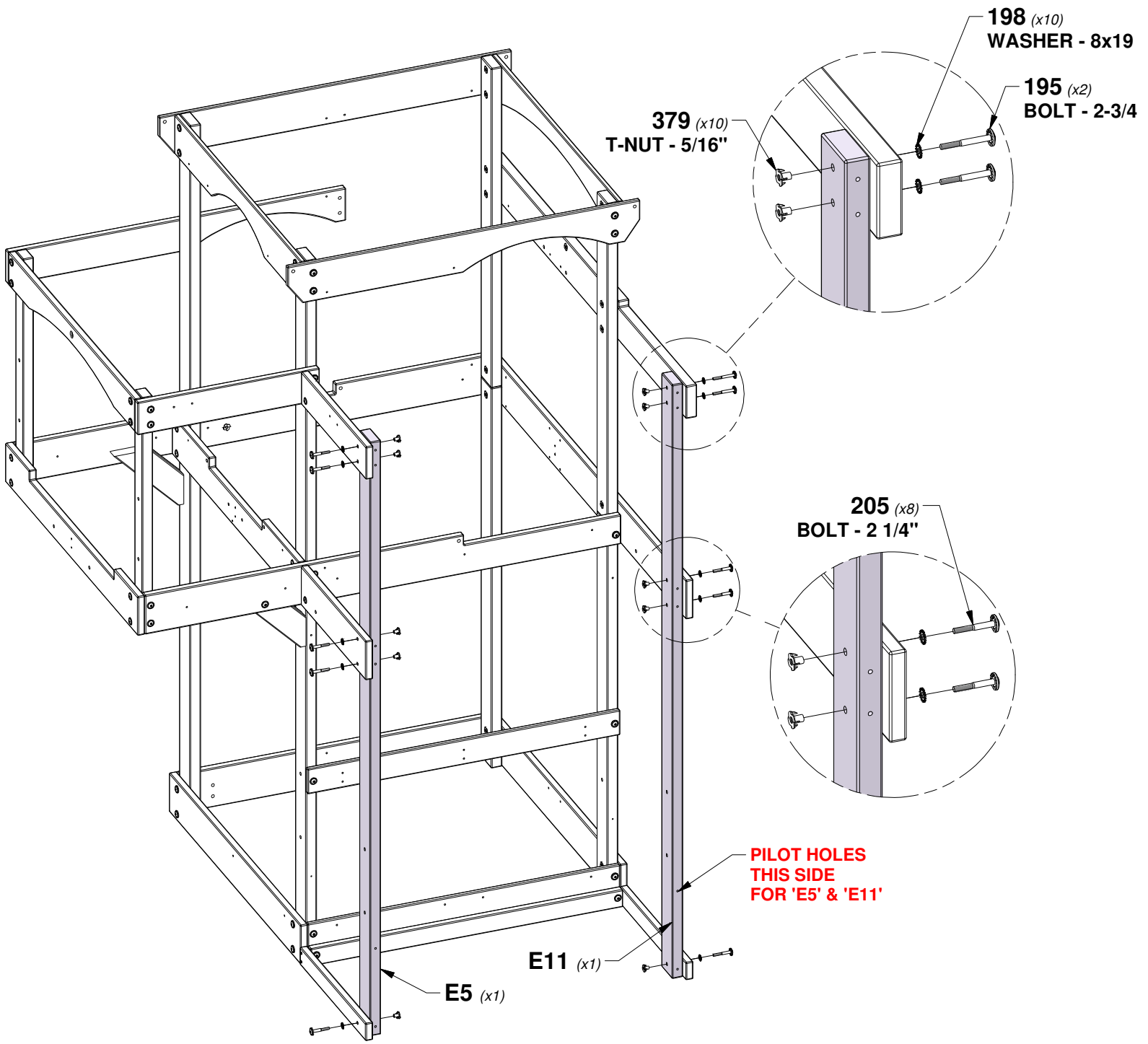
E5 RIGHT FRONT BALCONY UPRIGHT - W4L17826
 (x1) 1 3/8"x3 3/8"x80 3/4" (36x86x2052)



E11 RIGHT FRONT BALCONY UPRIGHT - W4L17827
 (x1) 1 3/8"x3 3/8"x80 3/4" (36x86x2052)

QTY	PART NUMBER	DESCRIPTION
2	H100195	BOLT WH 5/16x2-3/4 BLK
10	H100198	WASHER LOCK EXT 8x19 BLK
8	H100205	BOLT WH 5/16x2-1/4 BLK
10	H100379	T-NUT 5/16 BLK

TIP:
INSTALL T-NUTS IN WOOD FIRST

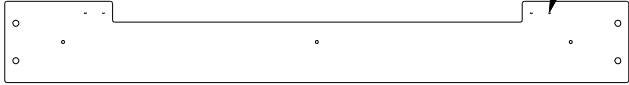


STEP 12 - FORT ASSEMBLY

QTY	PART NUMBER	DESCRIPTION
8	H100197	LAG SCREW WH 5/16x2-1/2 BLK
10	H100198	WASHER LOCK EXT 8x19 BLK
2	H100458	LAG SCREW WH 5/16x2 BLK

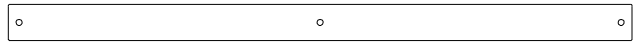


Q3 **ARCHED WALL RAIL - W4L17653**
 (x1) 1"x4 3/8"x40 5/8" (24x112x1032)

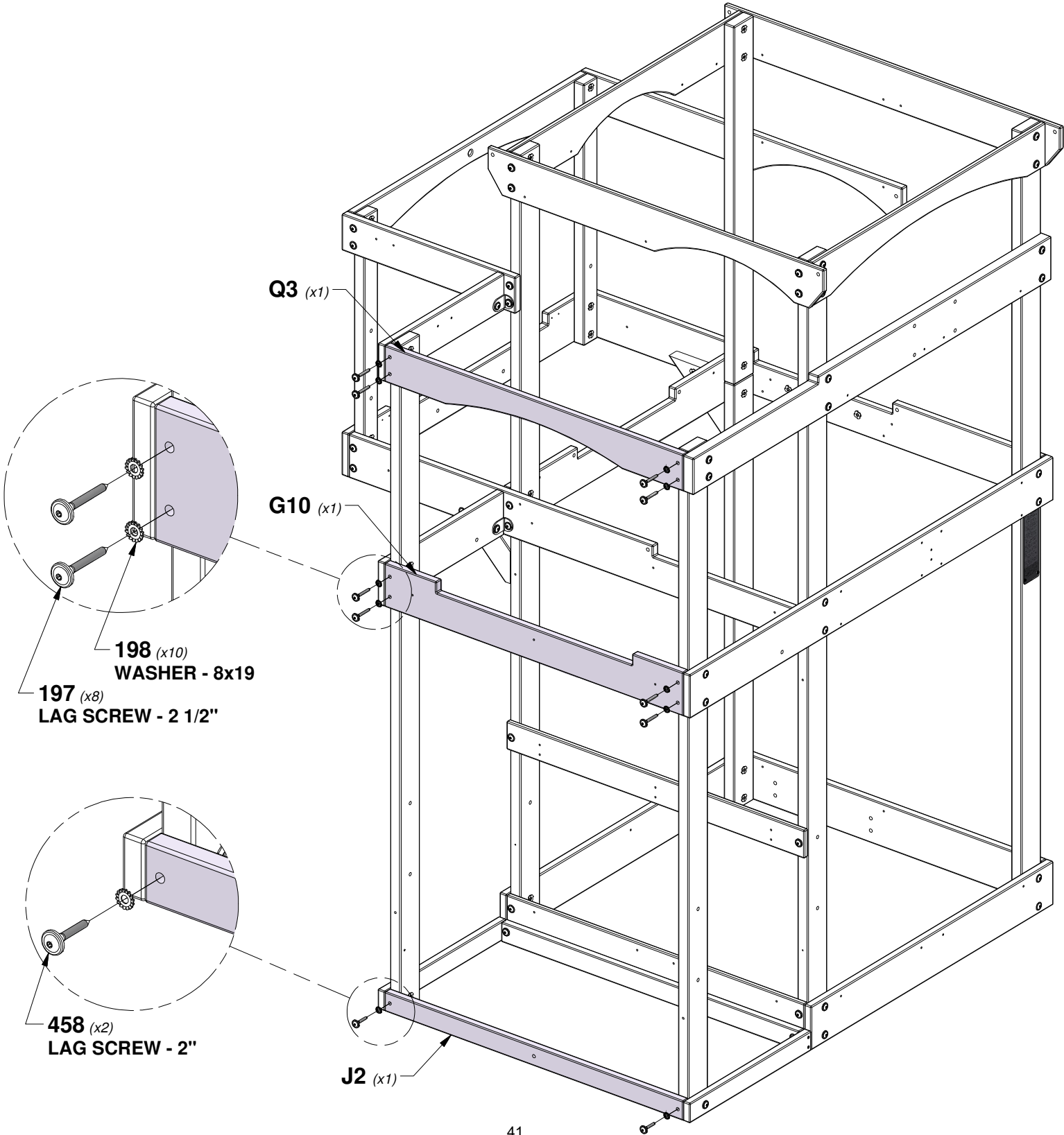


G10 **FRONT BALCONY WALL RAIL - W4L17649**
 (x1) 1"x5 1/4"x40 5/8" (24x134x1032)

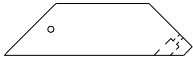
PILOT HOLES INWARD WHEN INSTALLED



J2 **PORCH GROUND BOARD - W4L11129**
 (x1) 1"x2 3/8"x40 5/8" (24x60x1032)



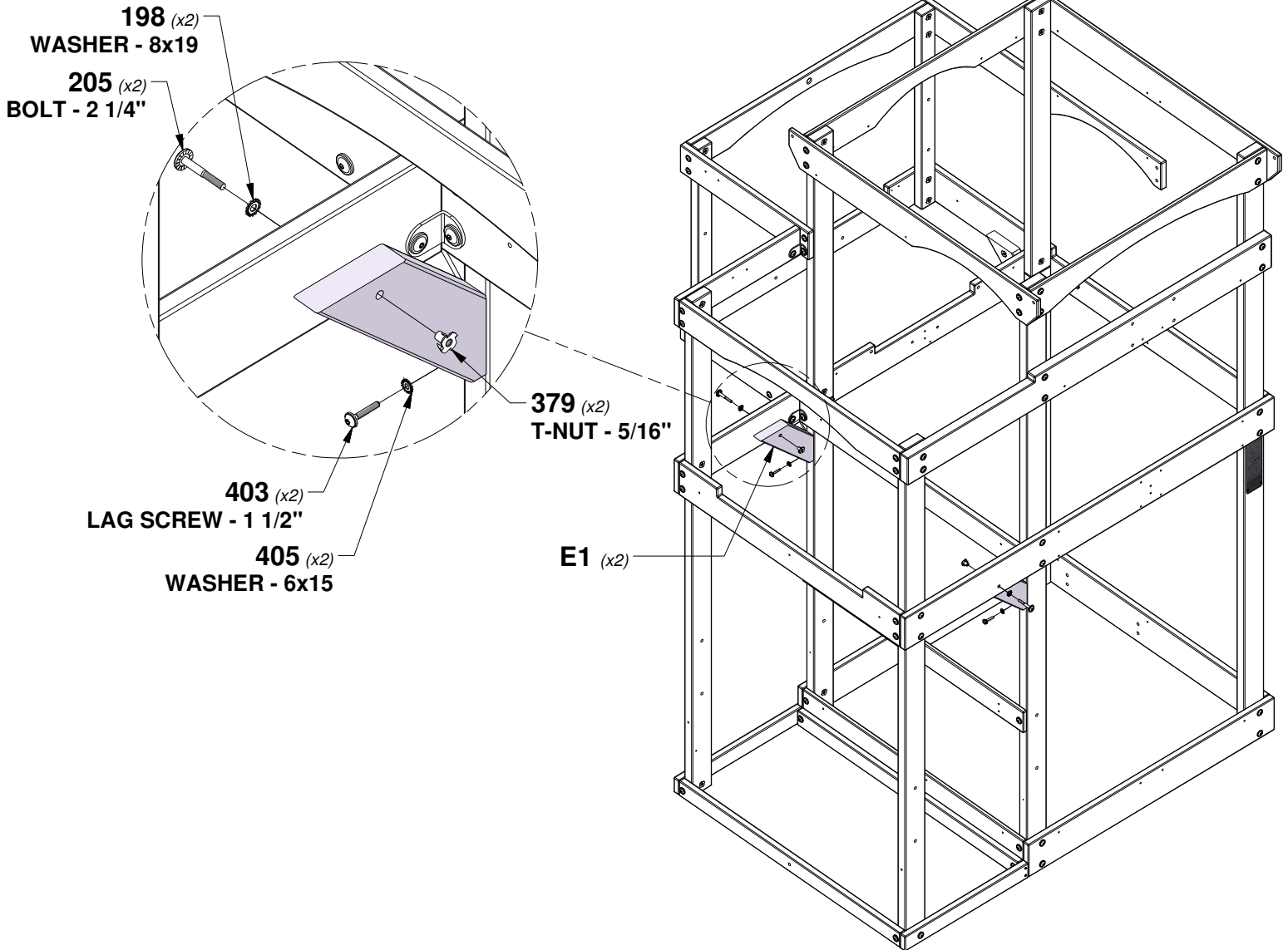
STEP 13 - FORT ASSEMBLY



E1 DECK BRACE - W4L17821
 (x2) 1 3/8"x3 3/8"x12 1/4" (36x86x311)

QTY	PART NUMBER	DESCRIPTION
2	H100198	WASHER LOCK EXT 8x19 BLK
2	H100205	BOLT WH 5/16x2-1/4 BLK
2	H100379	T-NUT 5/16 BLK
2	H100403	LAG SCREW WH 1/4x1-1/2 BLK
2	H100405	WASHER LOCK EXT 6x15 BLK

TIP:
INSTALL T-NUTS IN WOOD FIRST



STEP 14 - FORT ASSEMBLY

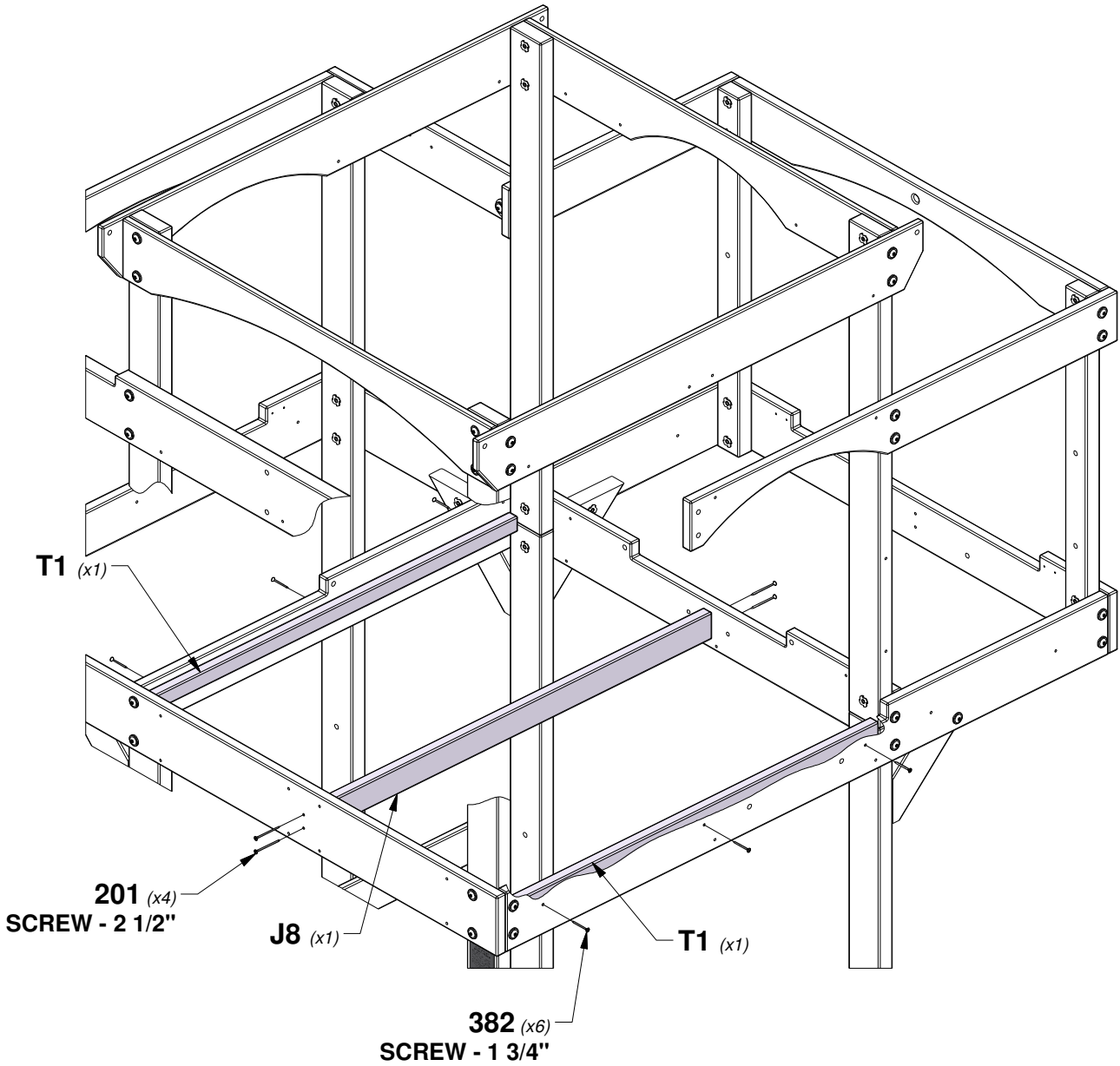
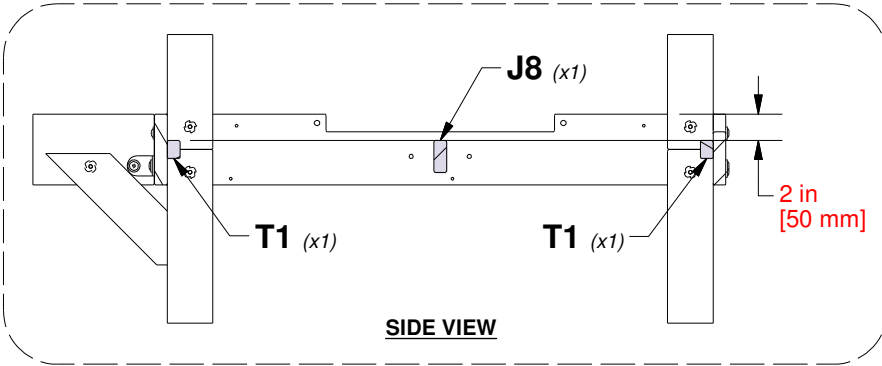
QTY	PART NUMBER	DESCRIPTION
4	H100201	SCREW PFH 8x2-1/2 BLK
6	H100382	SCREW PFH 8x1 3/4 BLK



J8 FLOOR JOIST - W4L07602
 (x1) 1"x2 3/8"x40 1/2" (24x60x1029)



T1 SUPPORT BOARD - W4L07599
 (x2) 1"x1 3/8"x37 5/8" (24x34x957)

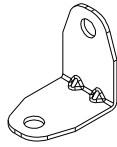


STEP 15 - FORT ASSEMBLY

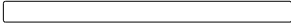
QTY	PART NUMBER	DESCRIPTION
2	H100171	BOLT WH 1/4x1 BLK
2	H100201	SCREW PFH 8x2-1/2 BLK
4	H100382	SCREW PFH 8x1 3/4 BLK
2	H100398	T-NUT 1/4 BLK
1	H100399	NUT BARREL WH 1/4x7/8 BLK
1	H100401	BOLT WH 1/4x1/2 BLK



J9 FLOOR JOIST - W4L17671
(x1) 1"x2 3/8"x20 1/4" (24x60x515)

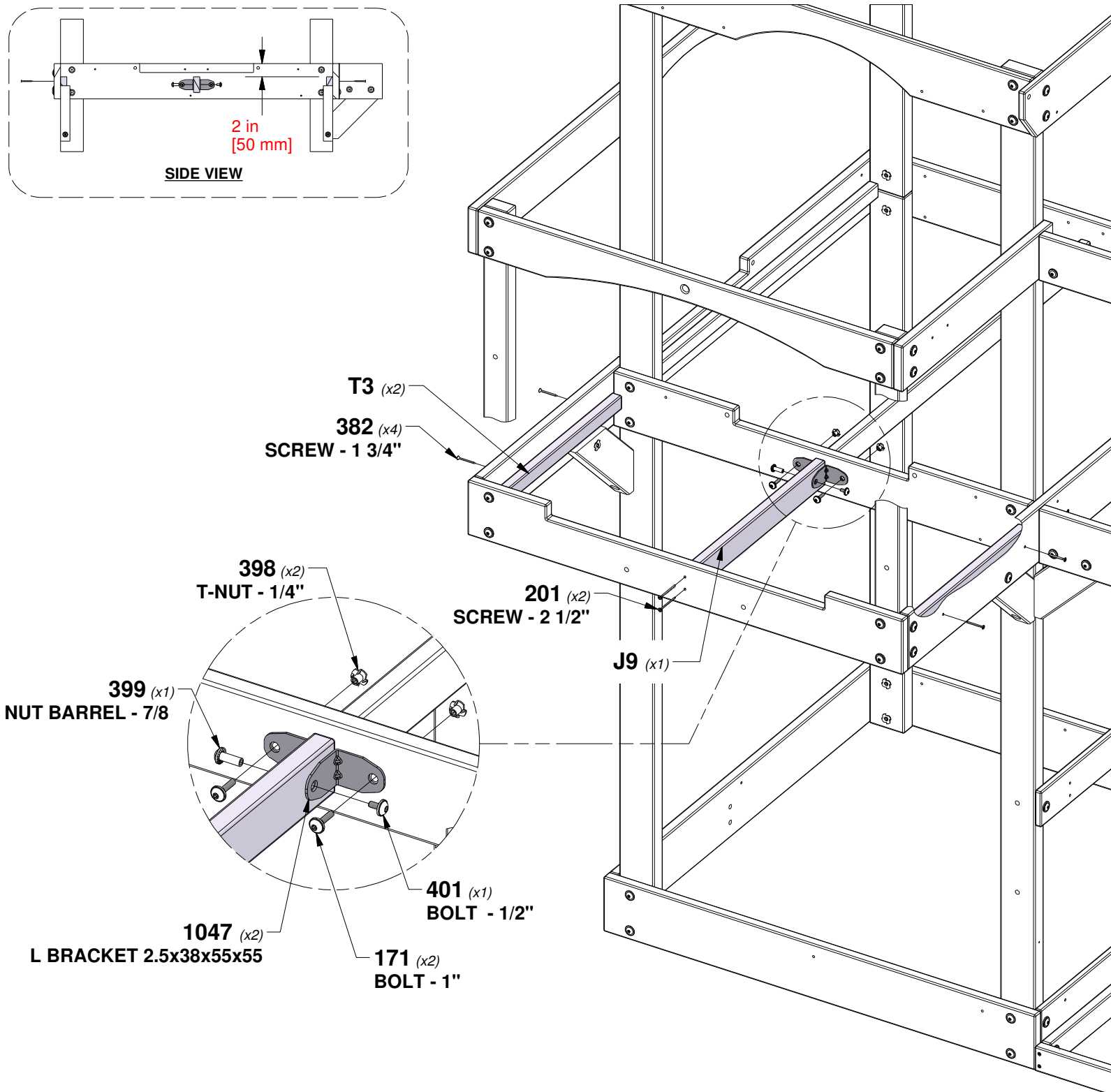
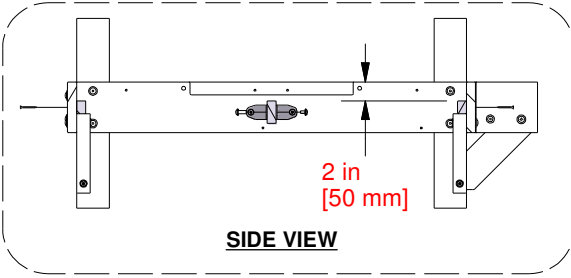


A4M01047 L BRACKET
(x2) 2.5x38x55x55



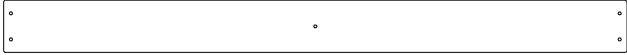
T3 SUPPORT BOARD - W4L07601
(x2) 1"x1 3/8"x18 3/4" (24x34x477)

TIP:
INSTALL T-NUTS IN WOOD FIRST

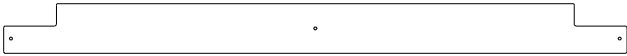


STEP 16 - FORT ASSEMBLY

QTY	PART NUMBER	DESCRIPTION
56	H100086	SCREW PFH 8x1-1/2"

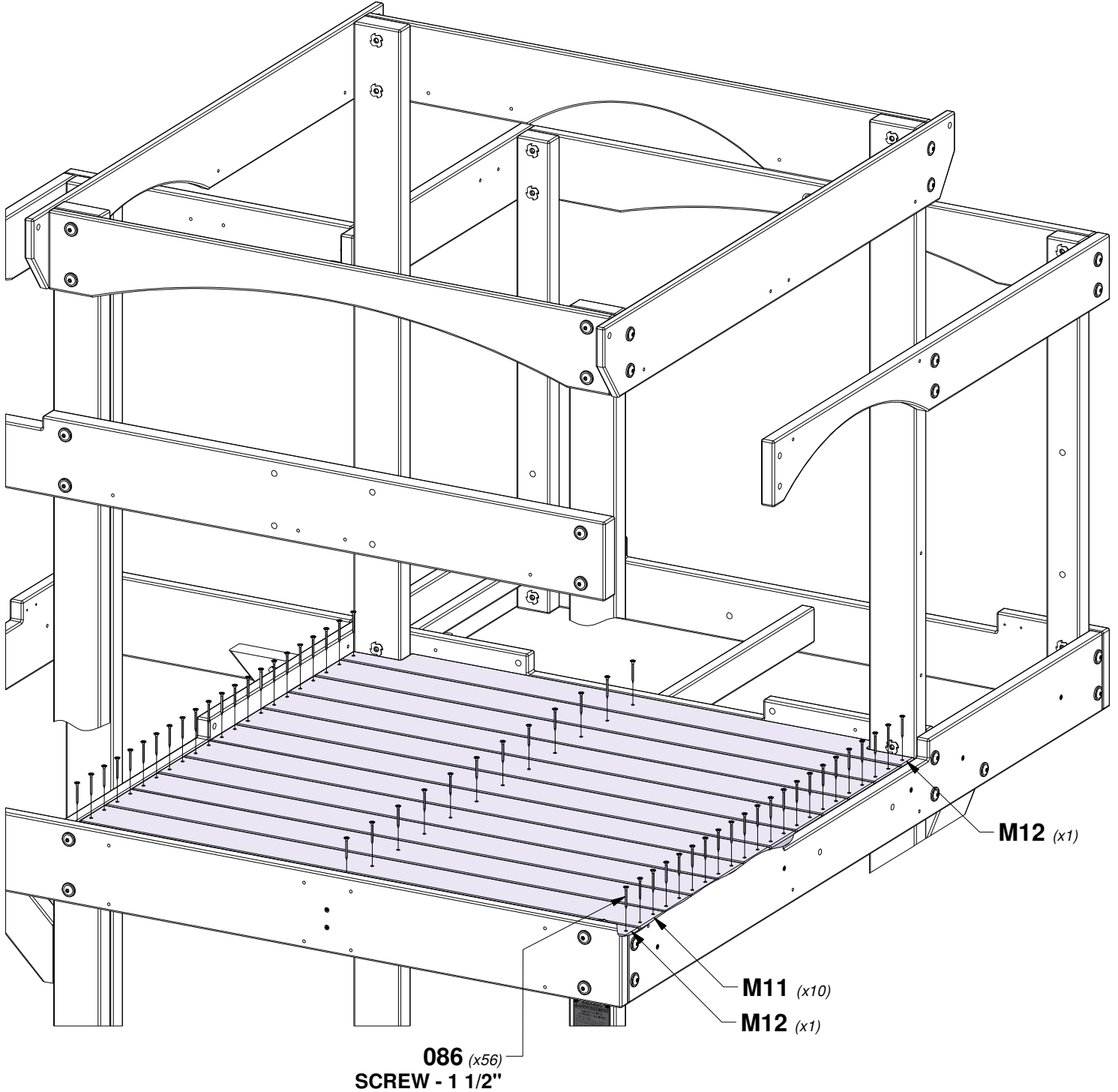


M11 FLOOR BOARD - W4L17661
(x10) 5/8"x3 3/8"x40 5/8" (16x86x1031)



M12 FLOOR BOARD - W4L17991
(x2) 5/8"x3 1/4"x40 5/8" (16x82x1031)

TIP:
PLACE BOARDS EVENLY
BEFORE INSERTING SCREWS



STEP 17 - FORT ASSEMBLY

QTY	PART NUMBER	DESCRIPTION
28	H100086	SCREW PFH 8x1-1/2"

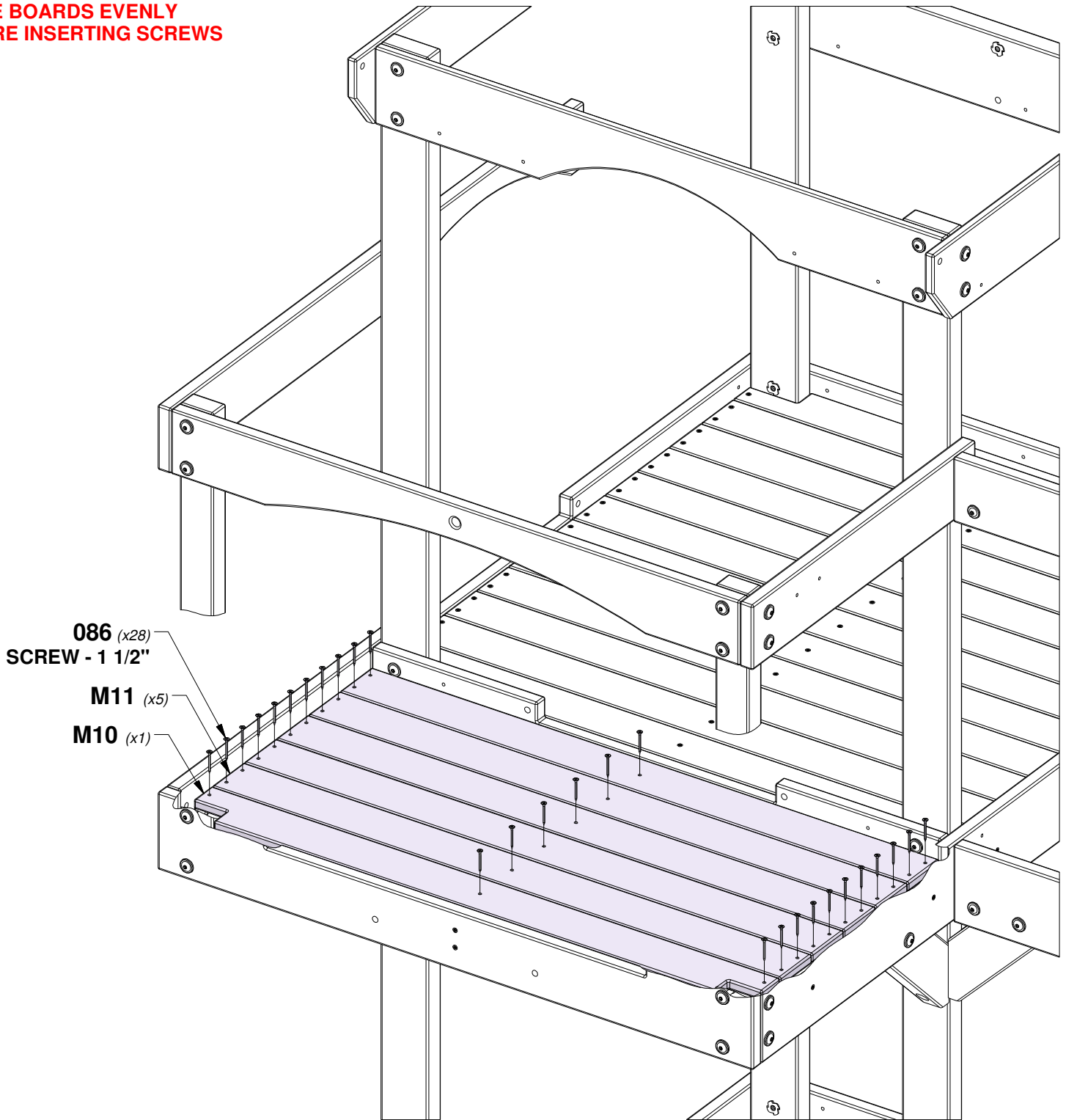


M10 FLOOR BOARD - W4L07609
(x1) 5/8"x3 3/8"x40 5/8" (16x86x1031)



M11 FLOOR BOARD - W4L17661
(x5) 5/8"x3 3/8"x40 5/8" (16x86x1031)

TIP:
PLACE BOARDS EVENLY
BEFORE INSERTING SCREWS

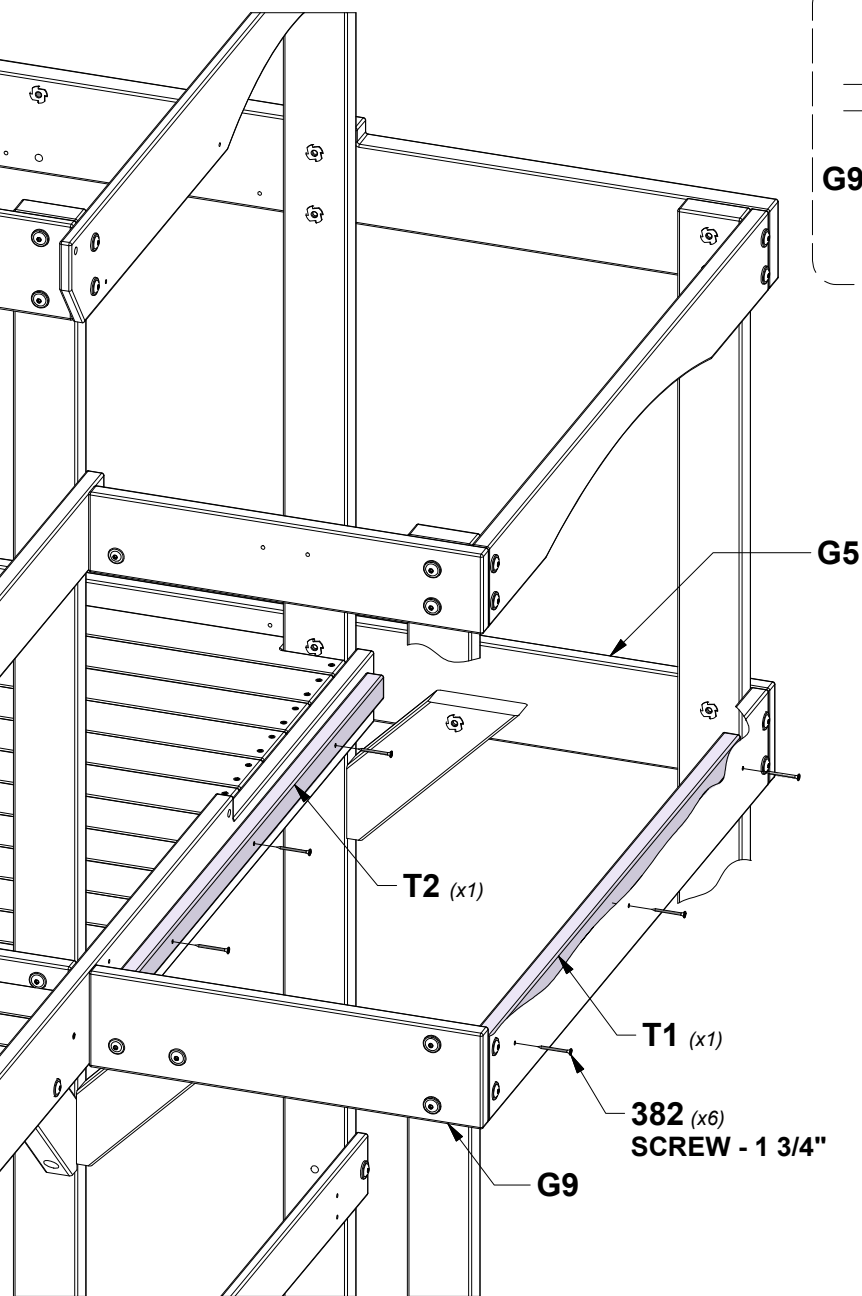
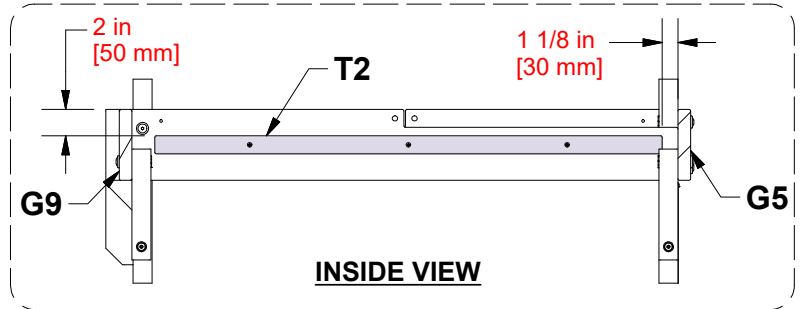
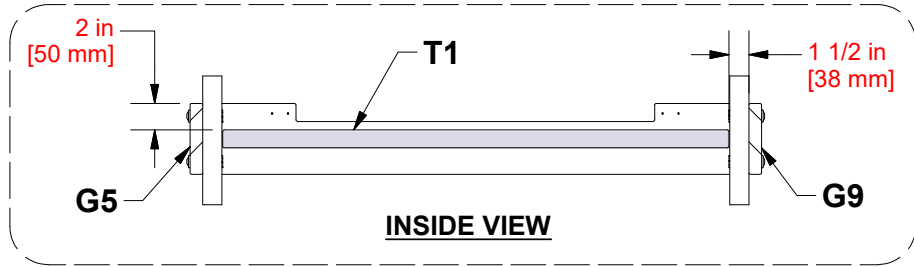


STEP 18 - FORT ASSEMBLY

QTY	PART NUMBER	DESCRIPTION
6	H100382	SCREW PFH 8x1 3/4 BLK

T1 SUPPORT BOARD - W4L07599
 (x1) 1"x1 3/8"x37 5/8" (24x34x957)

T2 SUPPORT BOARD - W4L07600
 (x1) 1"x1 3/8"x37 3/4" (24x34x959)



STEP 19 - FORT ASSEMBLY

QTY	PART NUMBER	DESCRIPTION
44	H100086	SCREW PFH 8x1-1/2"



M8 FLOOR BOARD - W4L17665
(x1) 5/8"x3 1/4"x19 7/8" (16x82x504)

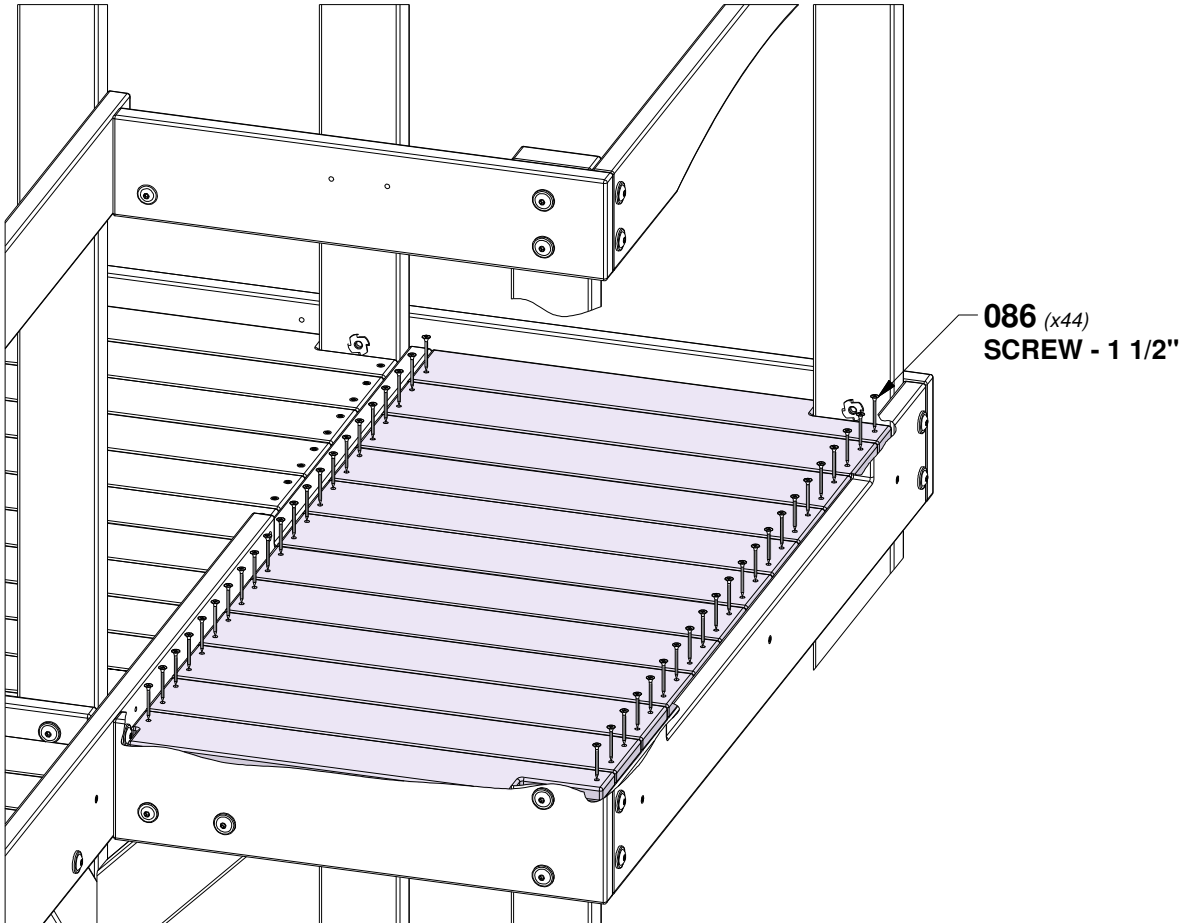
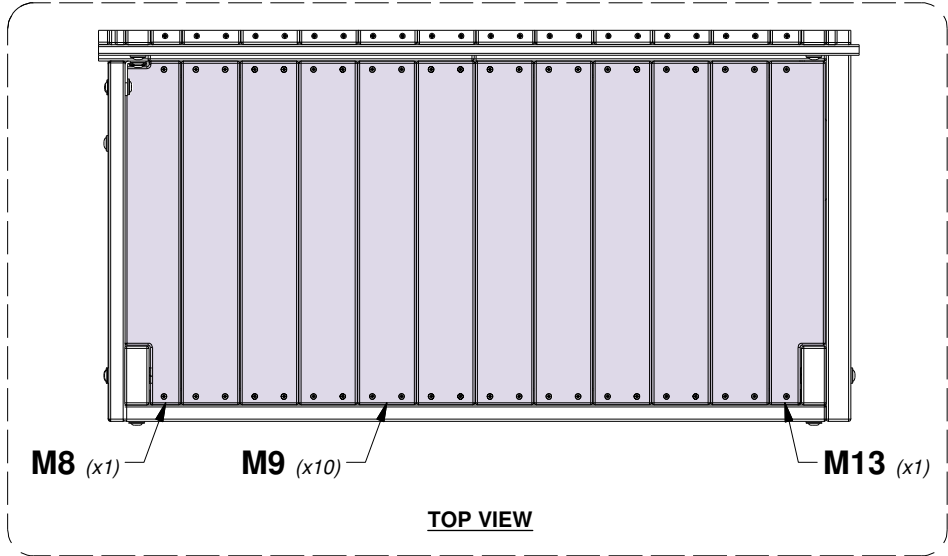


M9 FLOOR BOARD - W4L17660
(x10) 5/8"x3 3/8"x19 7/8" (16x86x504)



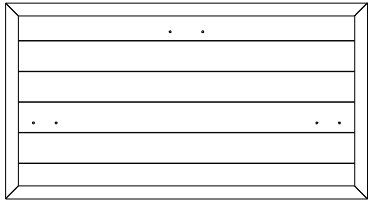
M13 FLOOR BOARD - W4L17664
(x1) 5/8"x3 1/4"x19 7/8" (16x82x504)

TIP:
PLACE BOARDS EVENLY
BEFORE INSERTING SCREWS

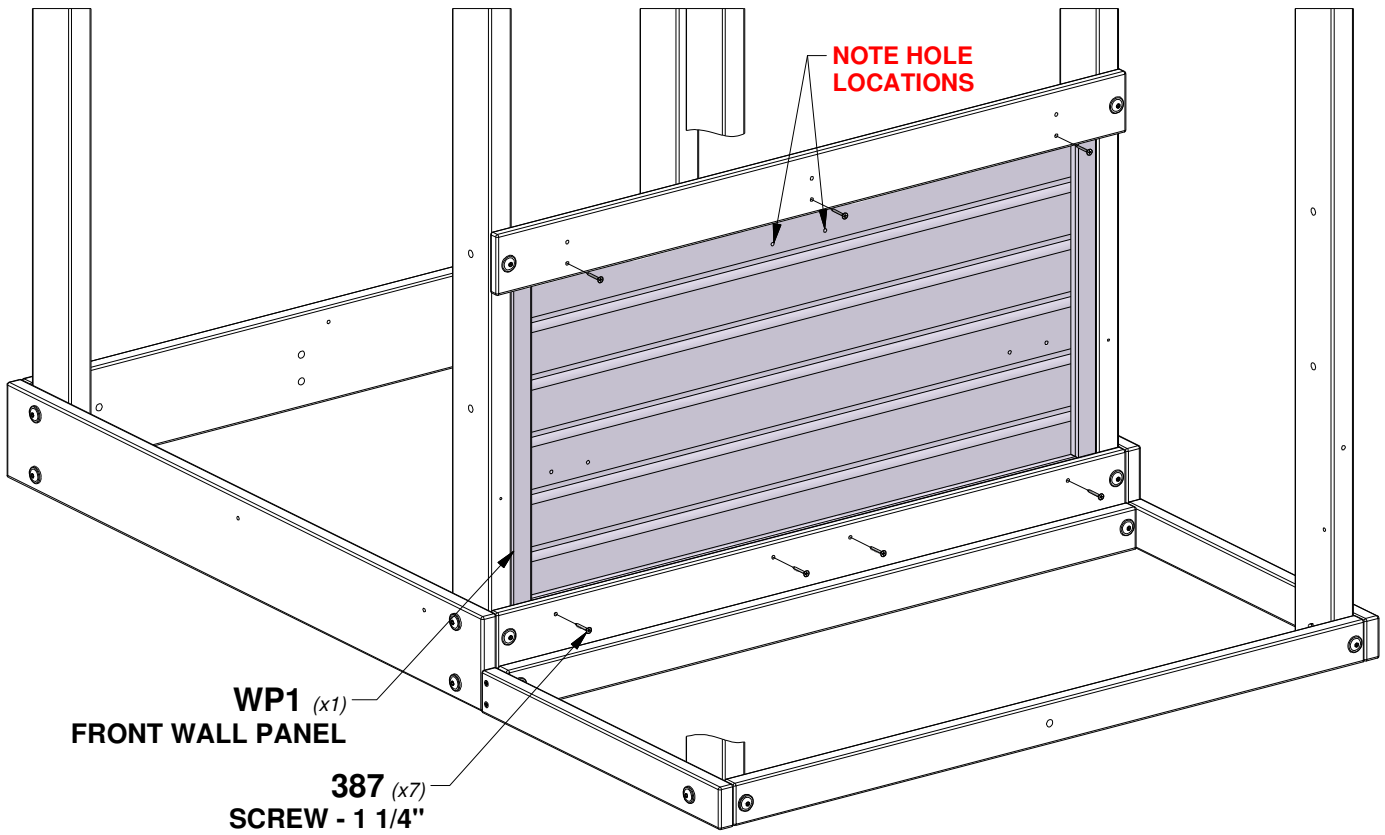
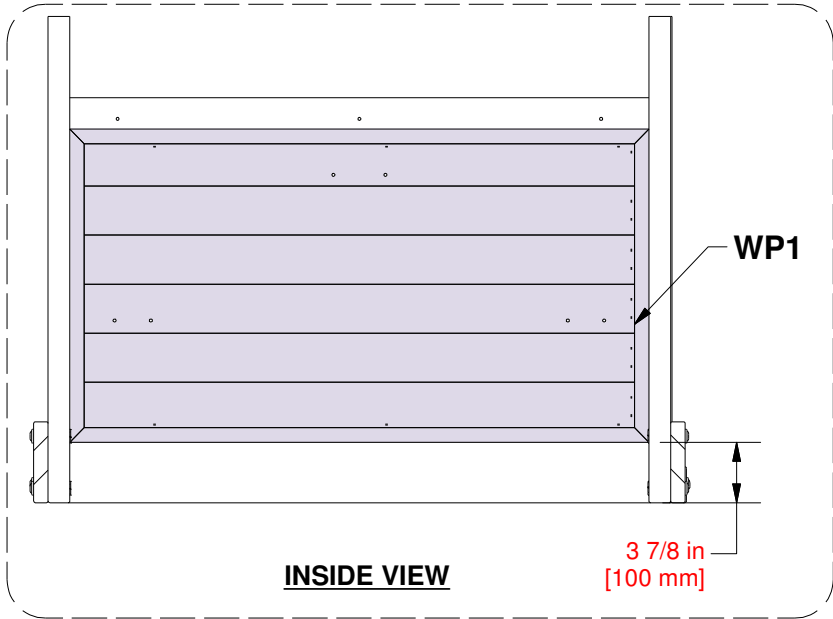


STEP 20 - FORT ASSEMBLY

QTY	PART NUMBER	DESCRIPTION
7	H100387	SCREW PFH 8x1-1/4 BLK



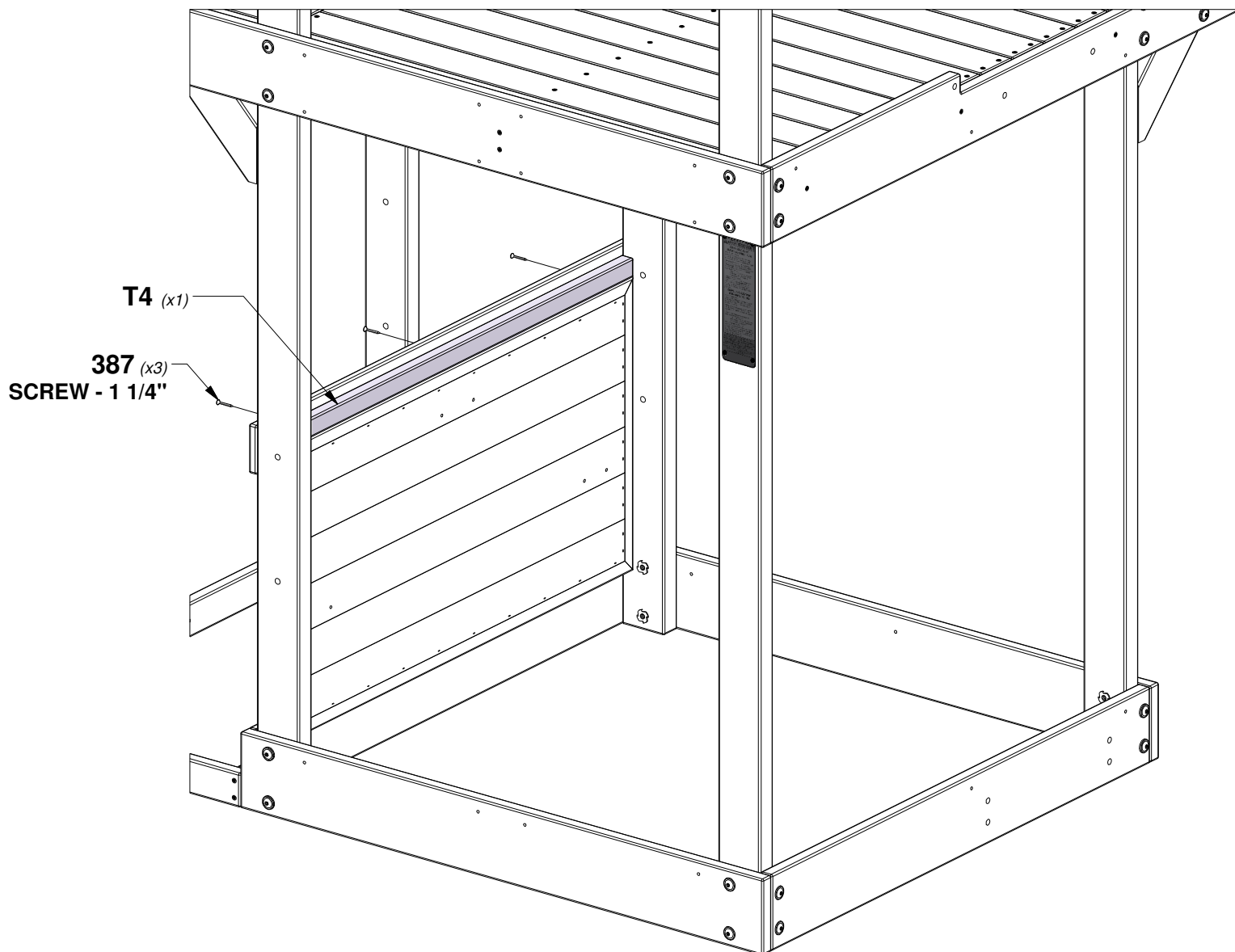
WP1 FRONT WALL PANEL - W2A02082
 (x1) 1"x20 3/8"x37 3/4" (24x517x958)



STEP 21 - FORT ASSEMBLY

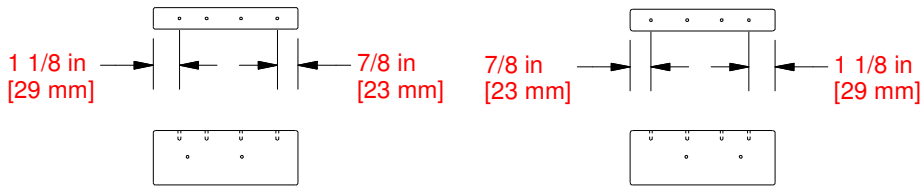
QTY	PART NUMBER	DESCRIPTION
3	H100387	SCREW PFH 8x1-1/4 BLK

T4 SUPPORT BOARD - W4L07613
(x1) 1"x1 3/8"x37 3/4" (24x34x958)



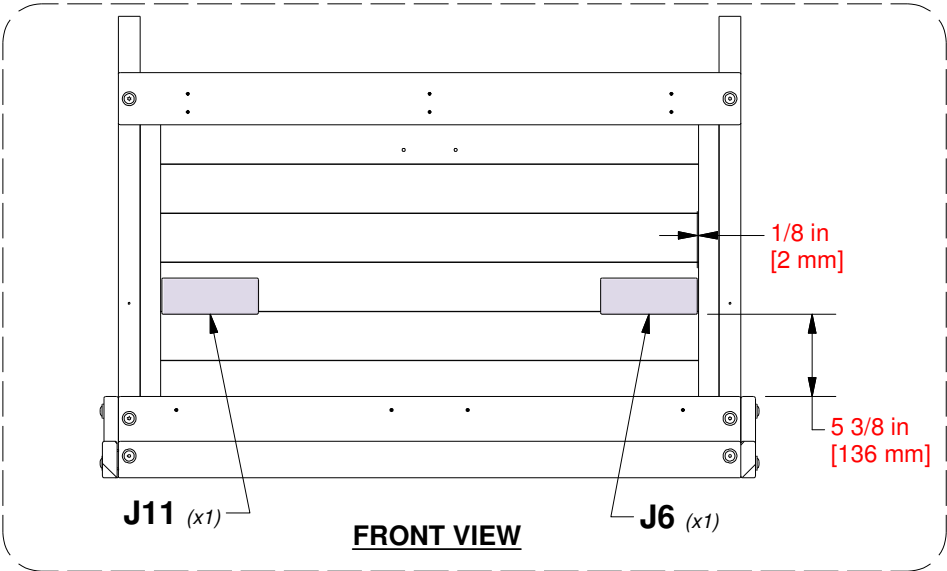
STEP 22 - FORT ASSEMBLY

QTY	PART NUMBER	DESCRIPTION
4	H100088	SCREW PFH 8x1-1/8"

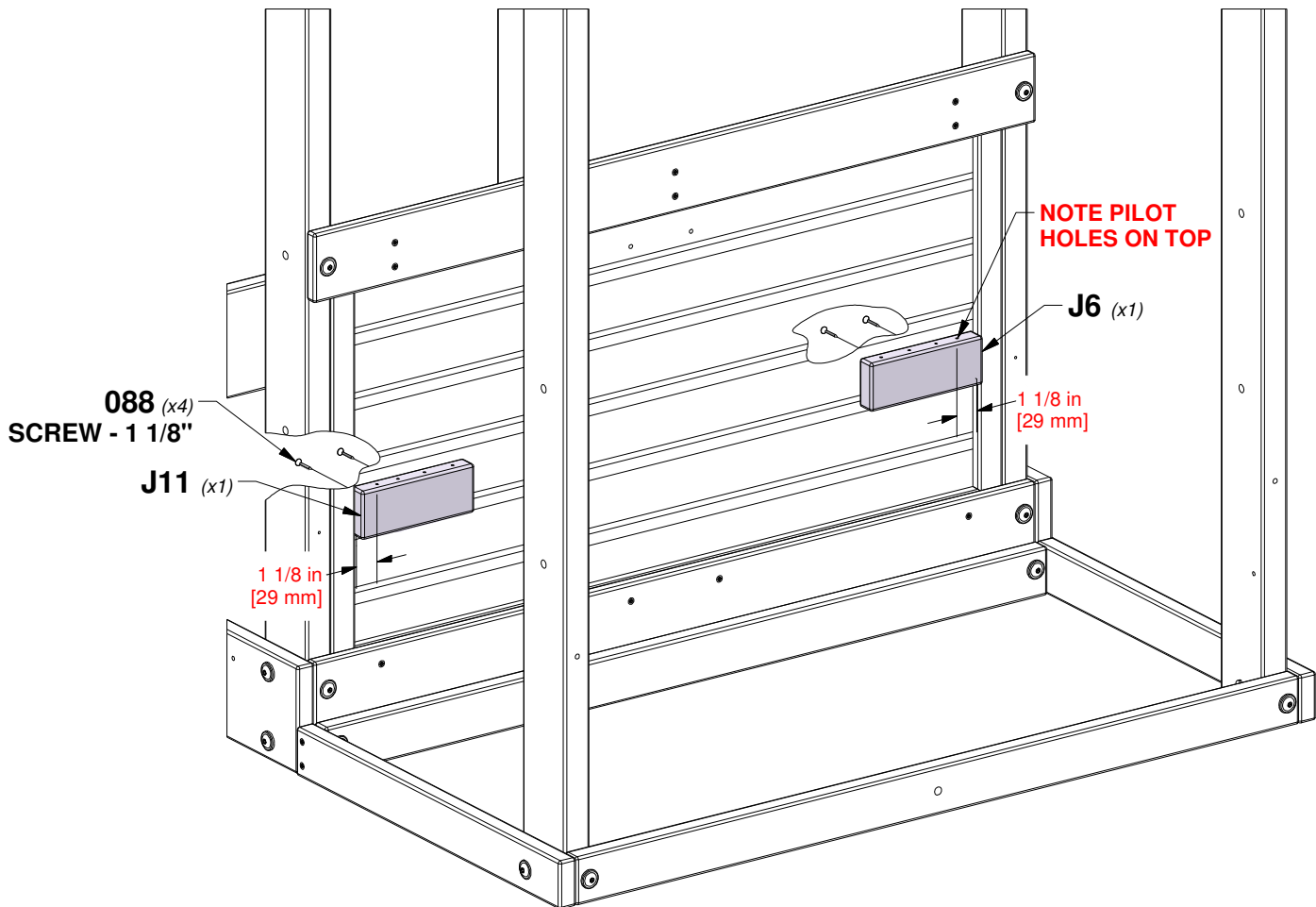


J6 SUPPORT BLOCK - W4L17817
 (x1) 1"x2 3/8"x6 1/4" (24x60x160)

J11 SUPPORT BLOCK - W4L17818
 (x1) 1"x2 3/8"x6 1/4" (24x60x160)



TIP:
 ALIGN PILOT HOLES IN WALL PANEL TO
 PILOT HOLES IN (J) BOARDS.



STEP 23 - FORT ASSEMBLY

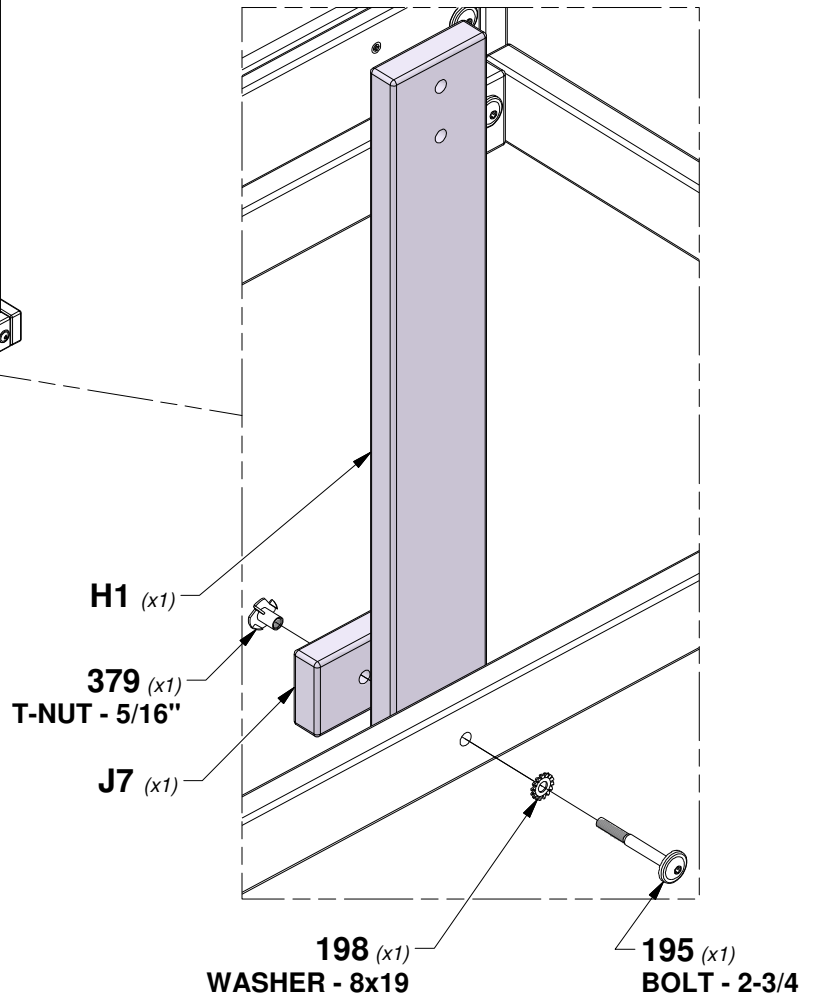
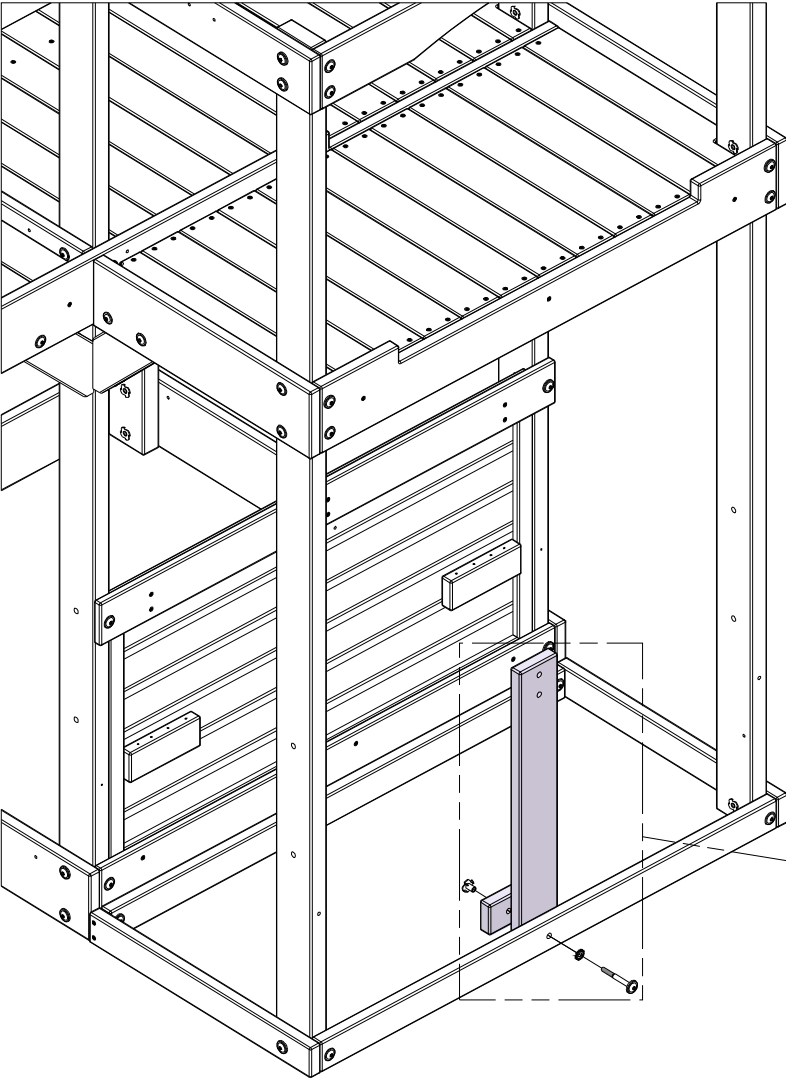
QTY	PART NUMBER	DESCRIPTION
1	H100195	BOLT WH 5/16x2-3/4 BLK
1	H100198	WASHER LOCK EXT 8x19 BLK
1	H100379	T-NUT 5/16 BLK



H1 TABLE SUPPORT - W4L11147
 (x1) 1"x3 3/8"x22 3/8" (24x86x567)

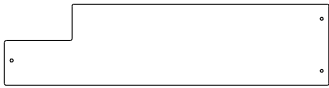
J7 SUPPORT BLOCK - W4L11158
 (x1) 1"x2 3/8"x3 3/8" (24x60x86)

TIP:
INSTALL T-NUTS IN WOOD FIRST

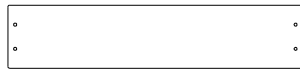


STEP 24 - FORT ASSEMBLY

QTY	PART NUMBER	DESCRIPTION
42	H100086	SCREW PFH 8x1-1/2"



K17 FLOOR BOARD - W4L17662
(x2) 5/8"x5 1/4"x21 1/8" (16x134x537)

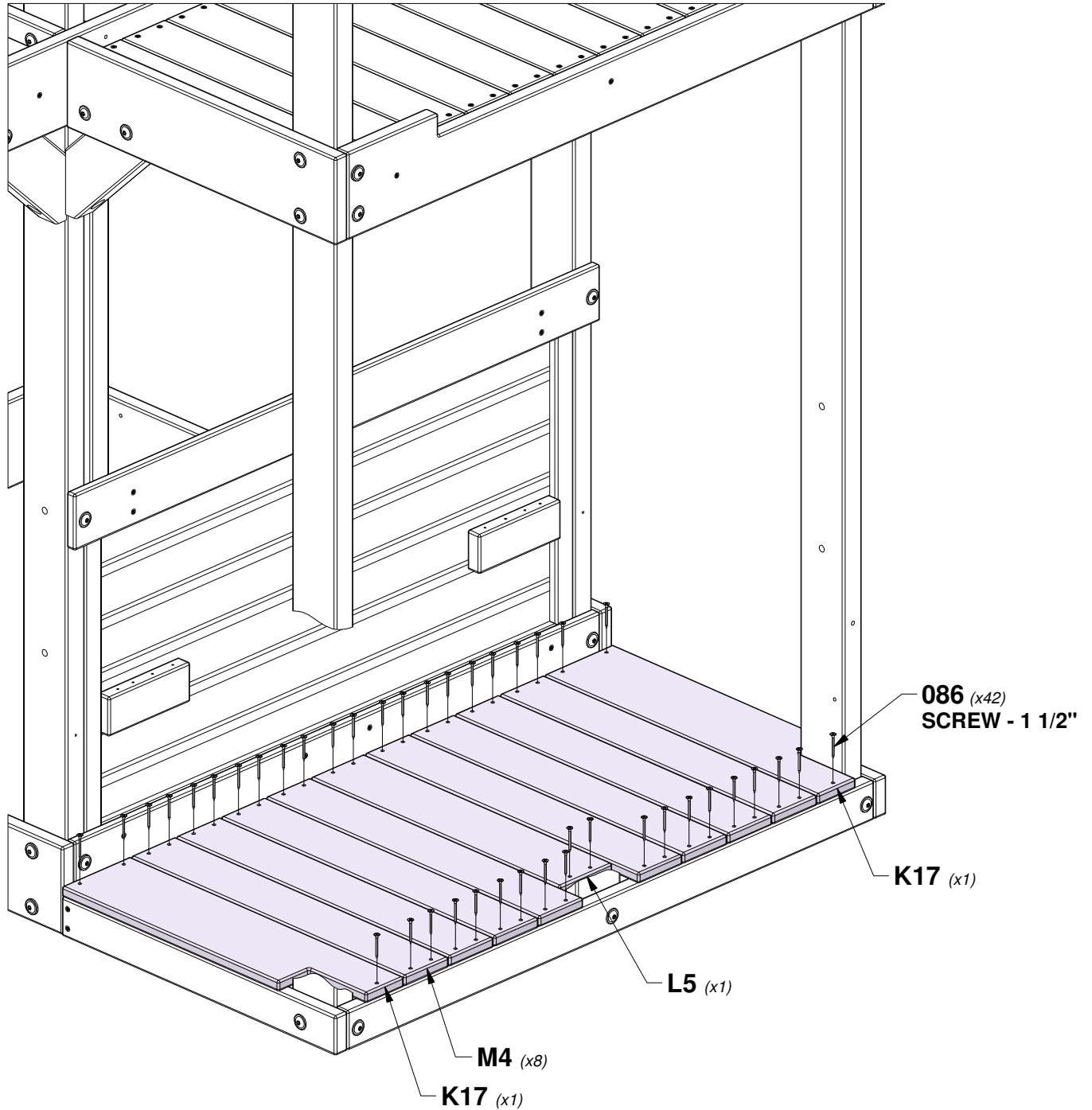


L5 FLOOR BOARD - W4L17663
(x1) 5/8"x4 1/8"x19 1/4" (16x104x488)



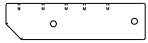
M4 FLOOR BOARD - W4L07597
(x8) 5/8"x3 3/8"x21 1/8" (16x86x537)

TIP:
PLACE BOARDS EVENLY
BEFORE INSERTING SCREWS



STEP 25 - FORT ASSEMBLY

QTY	PART NUMBER	DESCRIPTION
4	H100198	WASHER LOCK EXT 8x19 BLK
2	H100205	BOLT WH 5/16x2-1/4 BLK
2	H100379	T-NUT 5/16 BLK
4	H100382	SCREW PFH 8x1 3/4 BLK
2	H100405	WASHER LOCK EXT 6x15 BLK
2	H100458	LAG SCREW WH 5/16x2 BLK
2	H100487	LAG SCREW WH 1/4x2 BLK



J3 BENCH SUPPORT - W4L18017
(x2) 1"x2 3/8"x9" (24x60x230)

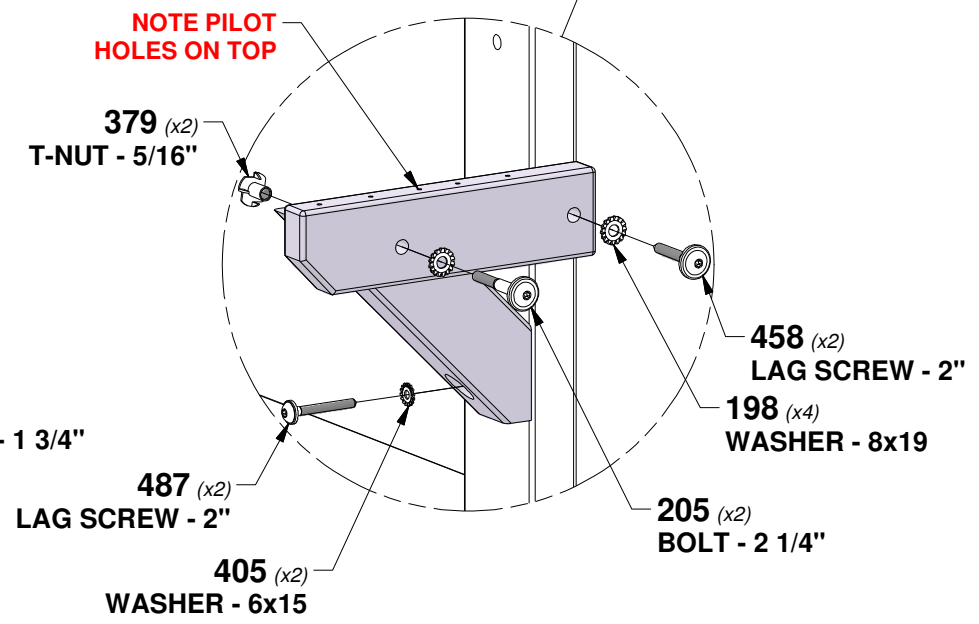
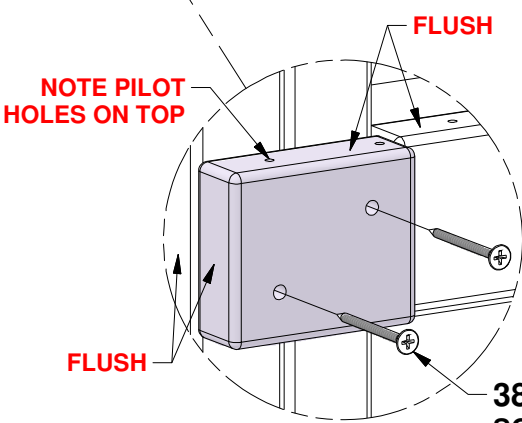
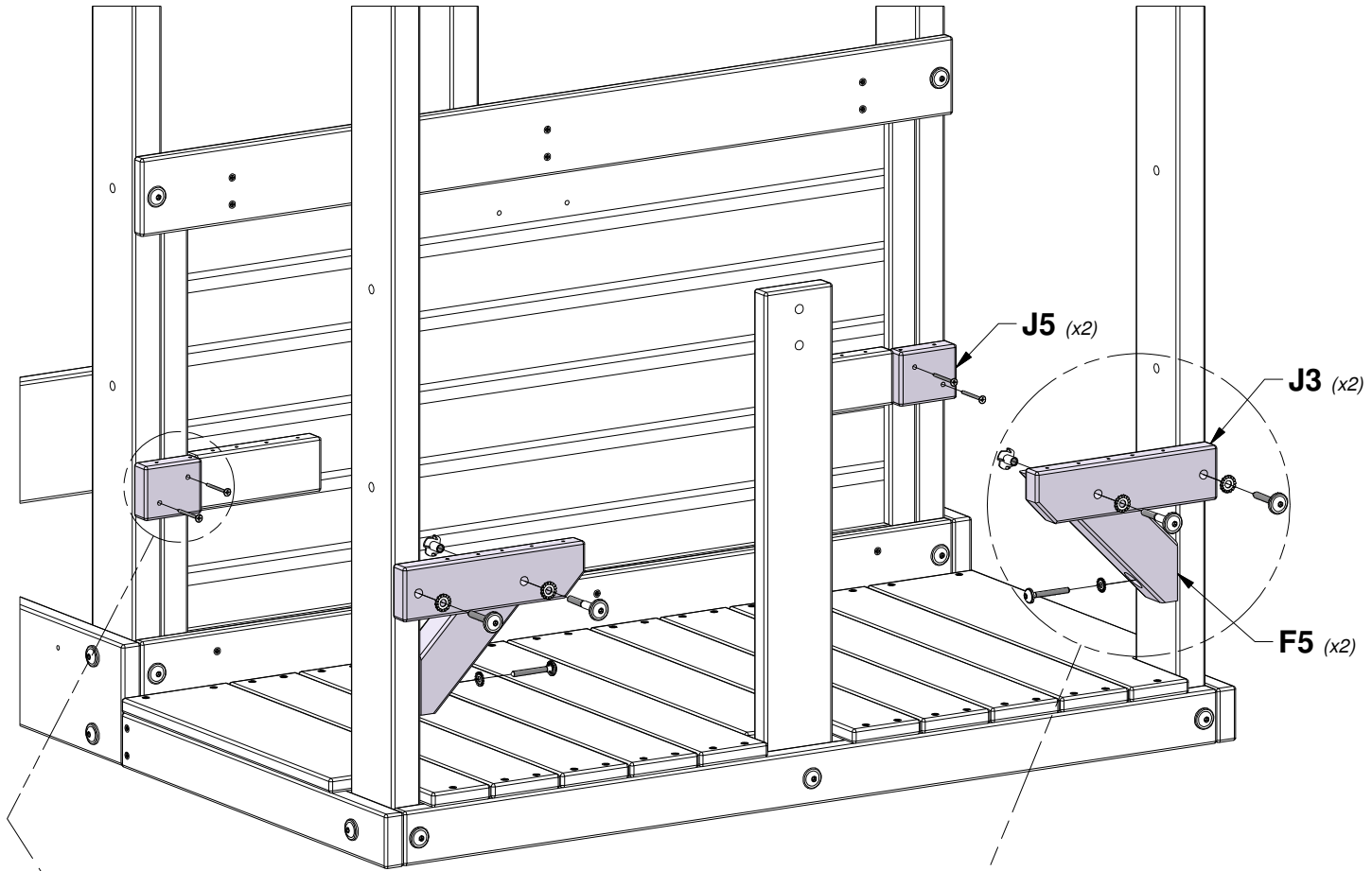


J5 SUPPORT BLOCK - W4L18022
(x2) 1"x2 3/8"x2 7/8" (24x60x72)



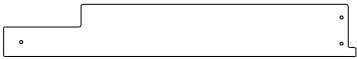
F5 ANGLE BRACE - W4L17822
(x2) 1 3/8"x2 3/8"x9 1/2" (36x60x240)

TIP:
INSTALL T-NUTS IN WOOD FIRST



STEP 26 - FORT ASSEMBLY

QTY	PART NUMBER	DESCRIPTION
22	H100089	SCREW PFH 8x1-3/4"



H6 BENCH BOARD - W4L17657
(x2) 1"x3 3/8"x23" (24x86x583)

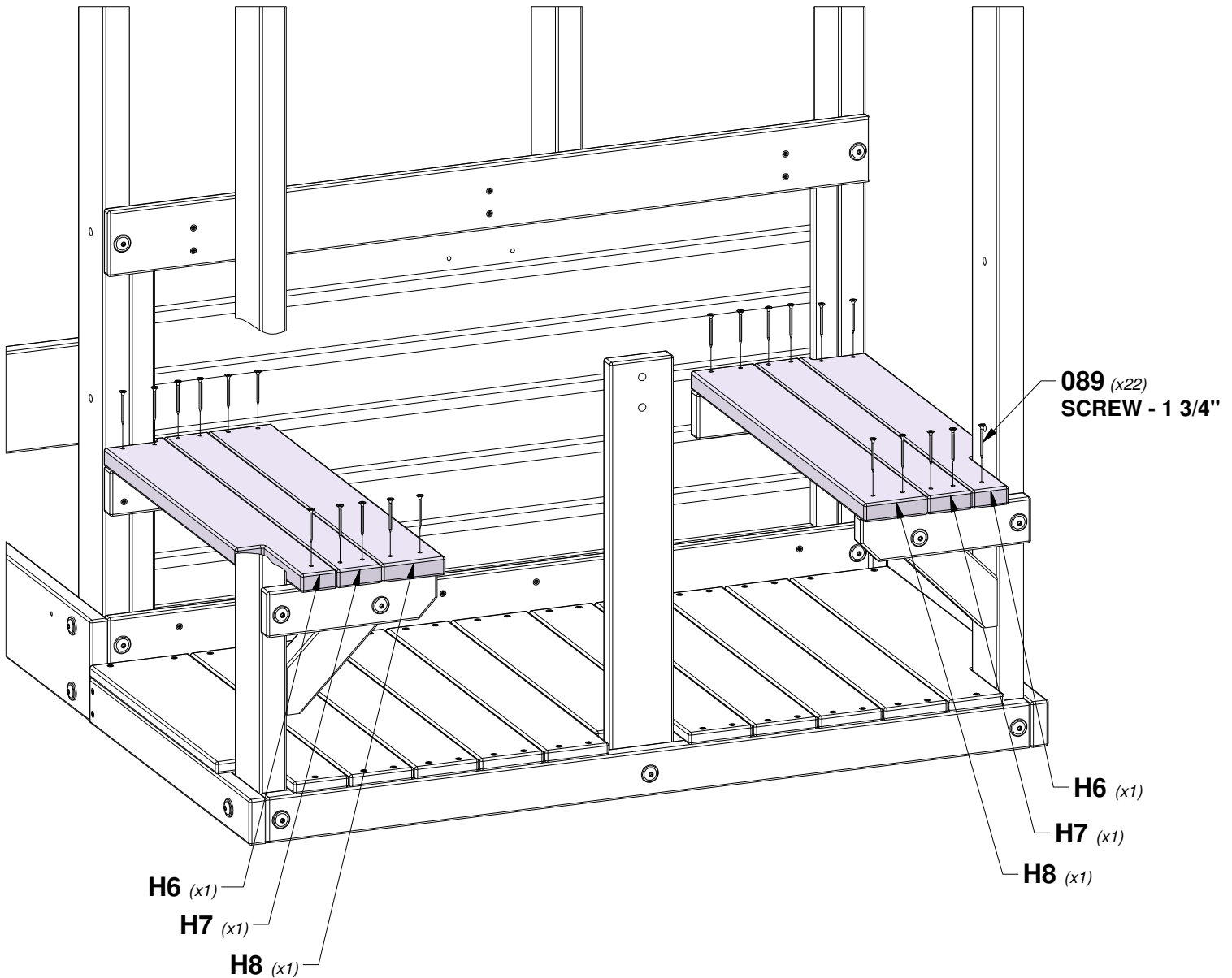


H7 BENCH BOARD - W4L17658
(x2) 1"x2 3/8"x23" (24x60x583)



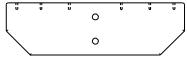
H8 BENCH BOARD - W4L17659
(x2) 1"x3 3/8"x23" (24x86x583)

TIP:
ALIGN PILOT HOLES BEFORE INSERTING SCREWS

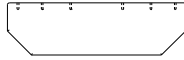


STEP 27 - FORT ASSEMBLY

QTY	PART NUMBER	DESCRIPTION
12	H100086	SCREW PFH 8x1-1/2"
2	H100088	SCREW PFH 8x1-1/8"
2	H100198	WASHER LOCK EXT 8x19 BLK
2	H100378	BOLT WH 5/16x1 3/4 BLK
2	H100379	T-NUT 5/16 BLK



H2 TABLE SUPPORT - W4L18018
(x1) 1"x3 3/8"x11 5/8" (24x86x295)



H3 TABLE SUPPORT - W4L18021
(x1) 1"x3 3/8"x11 5/8" (24x86x295)

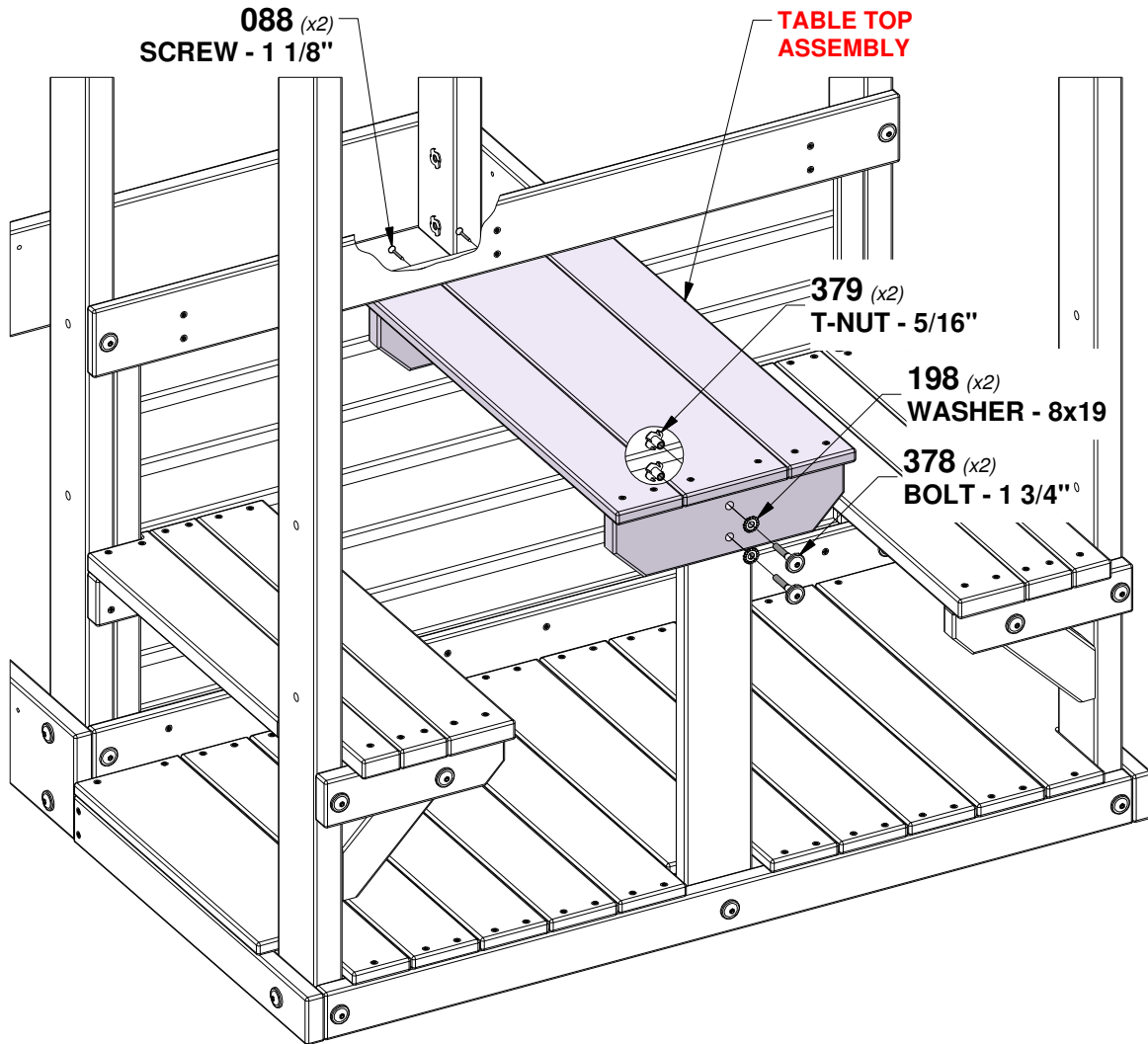
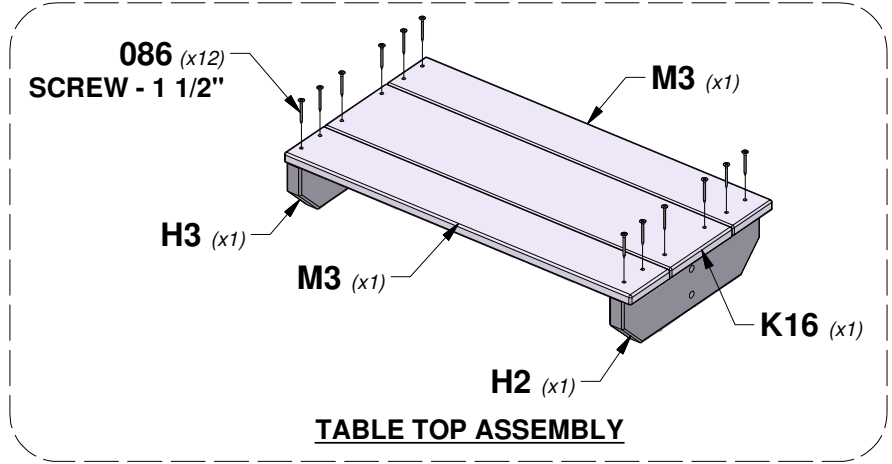


K16 TABLE BOARD - W4L18020
(x1) 5/8"x5 1/4"x23" (16x134x583)



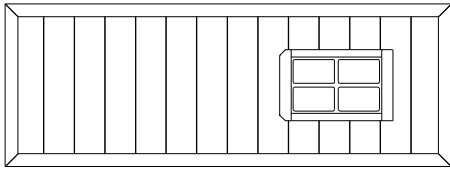
M3 BENCH BOARD - W4L18019
(x2) 5/8"x3 3/8"x23" (16x86x583)

TIP:
INSTALL T-NUTS IN WOOD FIRST

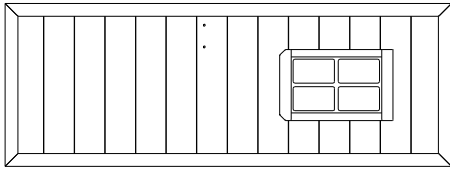


STEP 28 - FORT ASSEMBLY

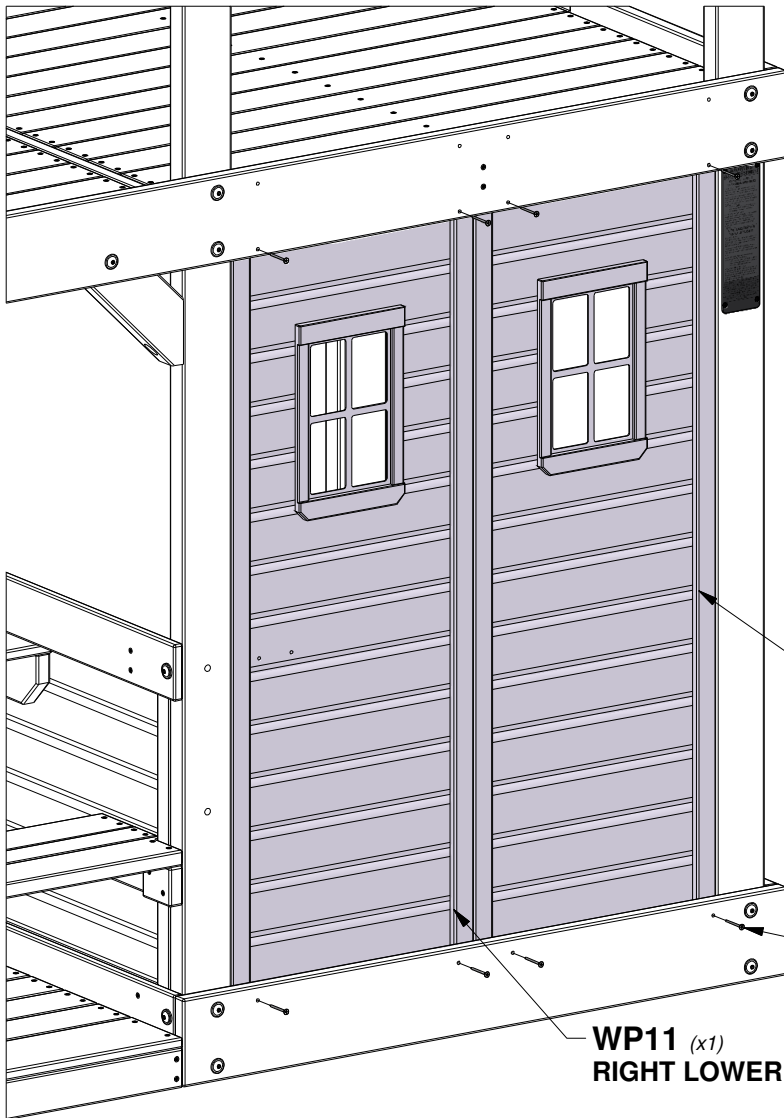
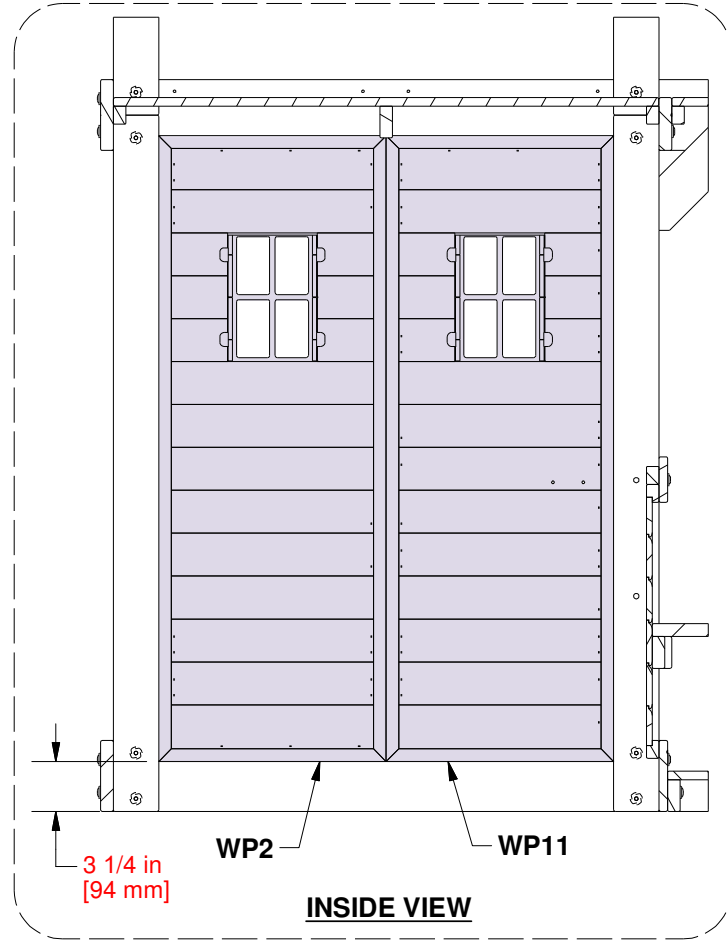
QTY	PART NUMBER	DESCRIPTION
8	H100382	SCREW PFH 8x1 3/4 BLK



WP2 RIGHT LOWER WALL PANEL - W2A02083
(x1) 1"x16 7/8"x46 1/2" (24x430x1181)



WP11 RIGHT LOWER WALL PANEL - W2A03845
(x1) 1"x16 7/8"x46 1/2" (24x430x1181)



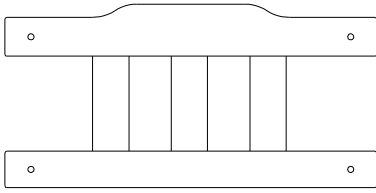
WP2 (x1)
RIGHT LOWER WALL PANEL

382 (x8)
SCREW - 1 3/4"

WP11 (x1)
RIGHT LOWER WALL PANEL

STEP 29 - FORT ASSEMBLY

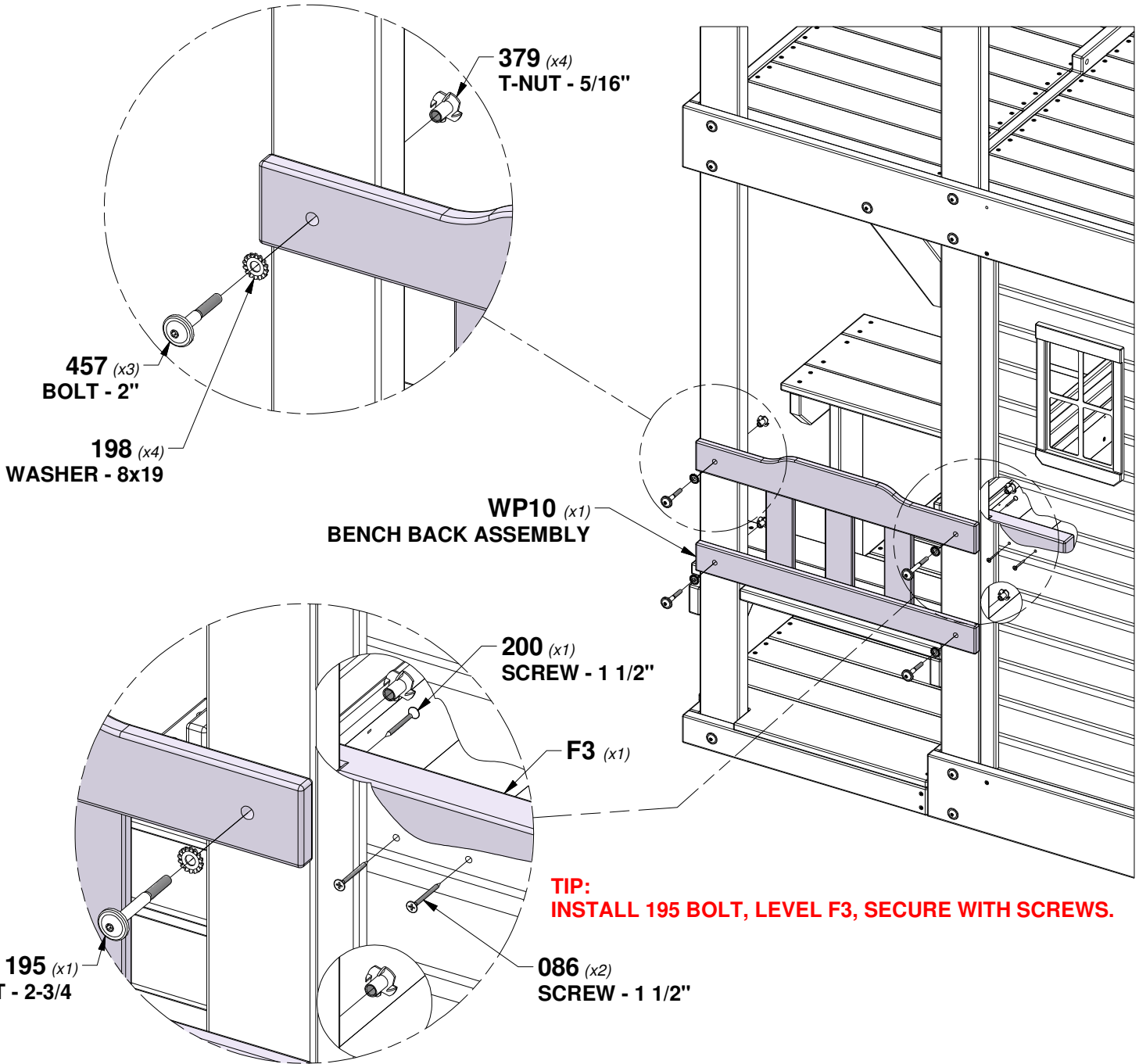
QTY	PART NUMBER	DESCRIPTION
2	H100086	SCREW PFH 8x1-1/2"
1	H100195	BOLT WH 5/16x2-3/4 BLK
4	H100198	WASHER LOCK EXT 8x19 BLK
1	H100200	SCREW PFH 8x1-1/2 BLK
4	H100379	T-NUT 5/16 BLK
3	H100457	BOLT WH 5/16x2 BLK



F3 SUPPORT BLOCK - W4L11159
 (x1) 1 3/8"x2 3/8"x9 1/4" (36x60x234)

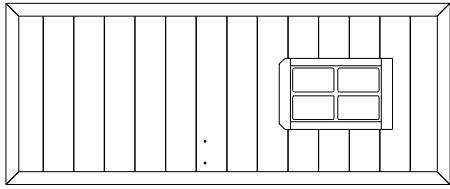
WP10 BENCH BACK ASSEMBLY - W2A02081
 (x1) 1 1/8"x11 7/8"x24 1/4" (27x303x615)

TIP:
INSTALL T-NUTS IN WOOD FIRST

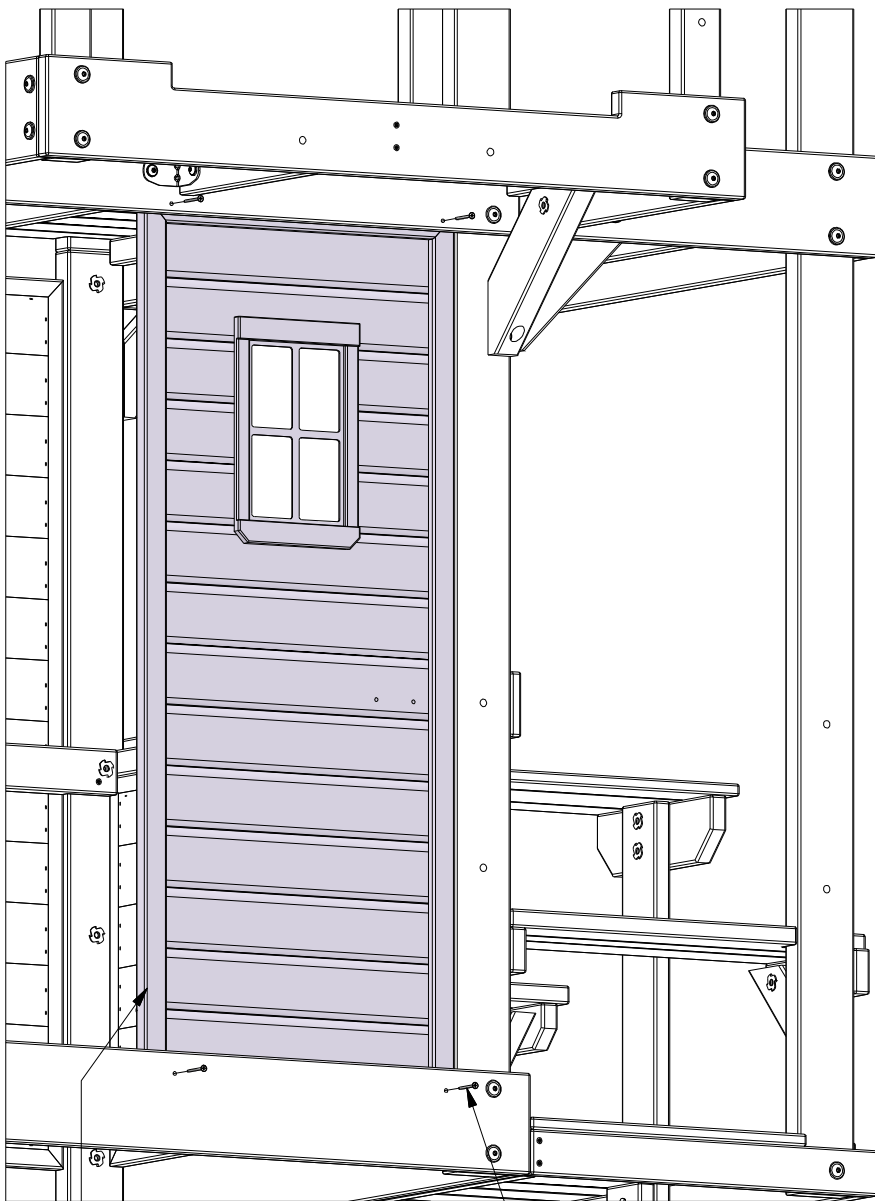


STEP 30 - FORT ASSEMBLY

QTY	PART NUMBER	DESCRIPTION
4	H100382	SCREW PFH 8x1 3/4 BLK

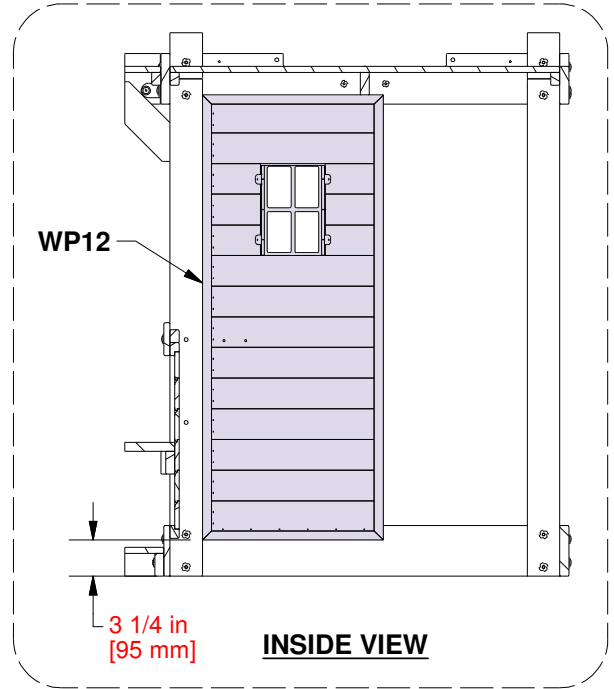


WP12 LOWER WALL PANEL - W2A03846
 (x1) 1"x16 7/8"x46 1/2" (24x479x1176)



WP12 (x1)
LOWER WALL PANEL

382 (x4)
SCREW - 1 3/4"



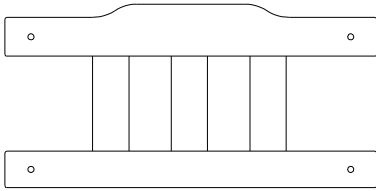
WP12

3 1/4 in
 [95 mm]

INSIDE VIEW

STEP 31 - FORT ASSEMBLY

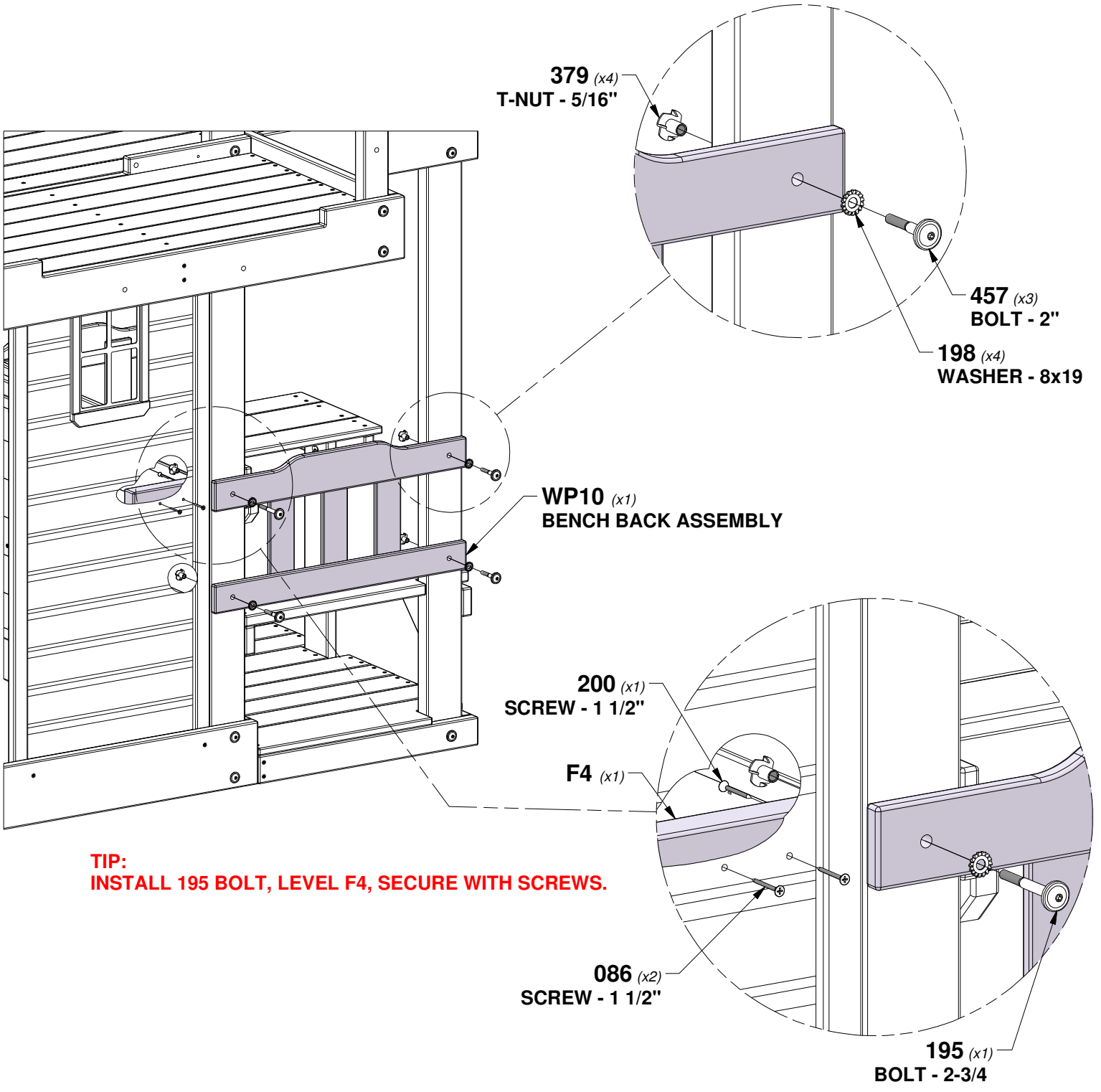
QTY	PART NUMBER	DESCRIPTION
2	H100086	SCREW PFH 8x1-1/2"
1	H100195	BOLT WH 5/16x2-3/4 BLK
4	H100198	WASHER LOCK EXT 8x19 BLK
1	H100200	SCREW PFH 8x1-1/2 BLK
4	H100379	T-NUT 5/16 BLK
3	H100457	BOLT WH 5/16x2 BLK



F4 SUPPORT BLOCK - W4L11160
 (x1) 1 3/8"x2 3/8"x9 1/4" (36x60x234)

WP10 BENCH BACK ASSEMBLY - W2A02081
 (x1) 1 1/8"x11 7/8"x24 1/4" (27x303x615)

TIP:
INSTALL T-NUTS IN WOOD FIRST



TIP:
INSTALL 195 BOLT, LEVEL F4, SECURE WITH SCREWS.

STEP 32 - FORT ASSEMBLY

QTY	PART NUMBER	DESCRIPTION
14	H100086	SCREW PFH 8x1-1/2"

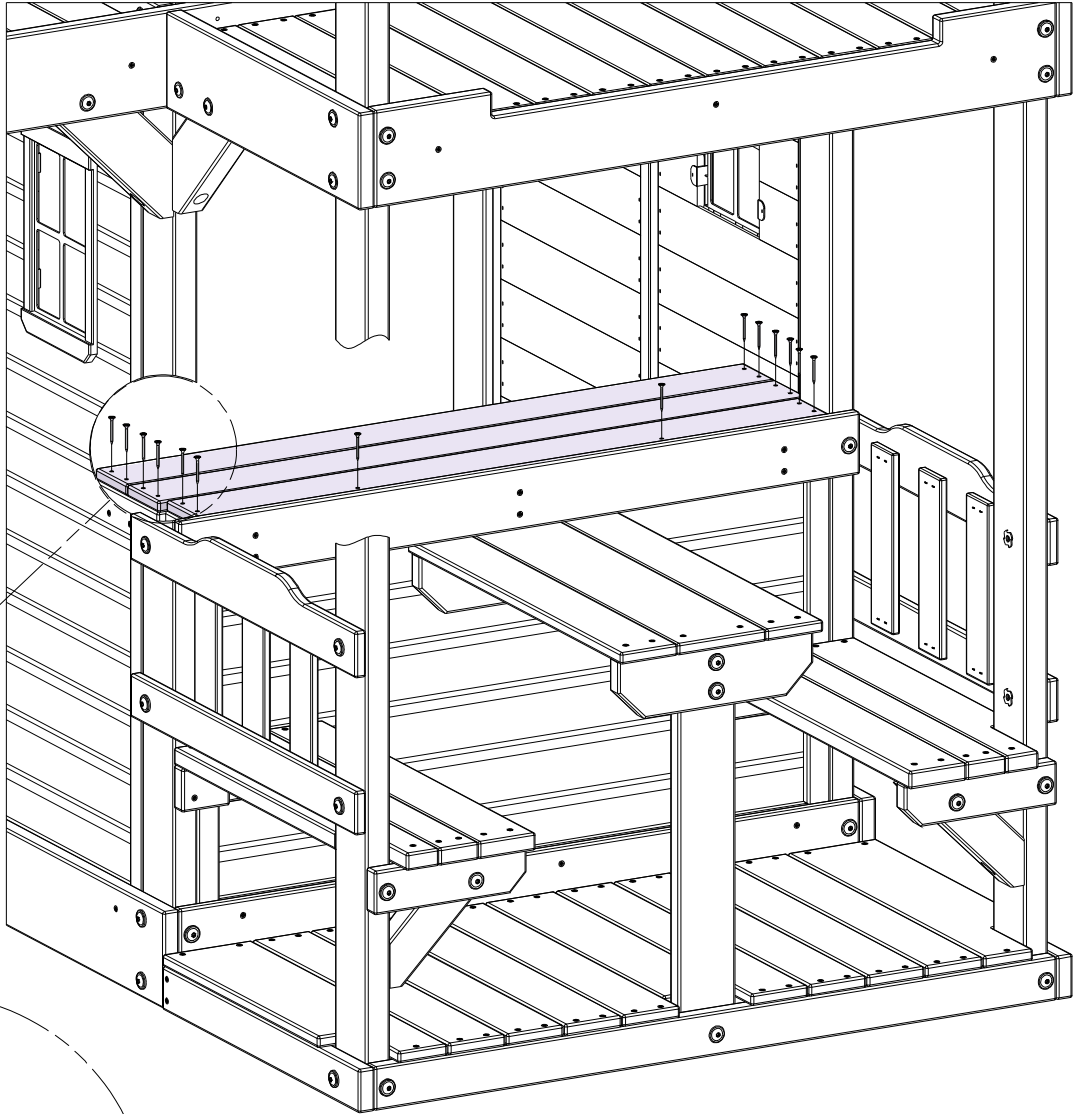


M6 COUNTER TOP - W4L07605
(x1) 5/8"x3 3/8"x37 5/8" (16x86x957)

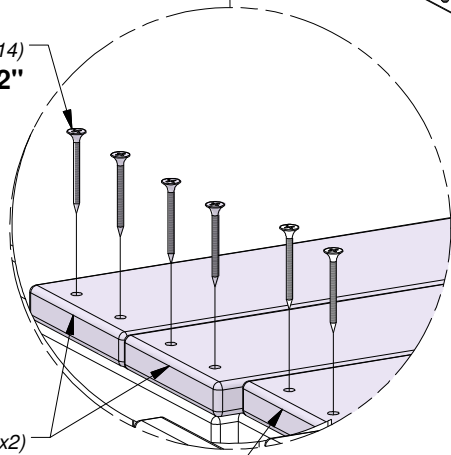


M7 COUNTER TOP - W4L07606
(x2) 5/8"x3 3/8"x38 5/8" (16x86x981)

TIP:
PLACE BOARDS EVENLY
BEFORE INSERTING SCREWS



086 (x14)
SCREW - 1 1/2"

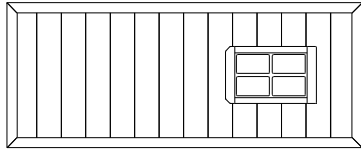


M7 (x2)

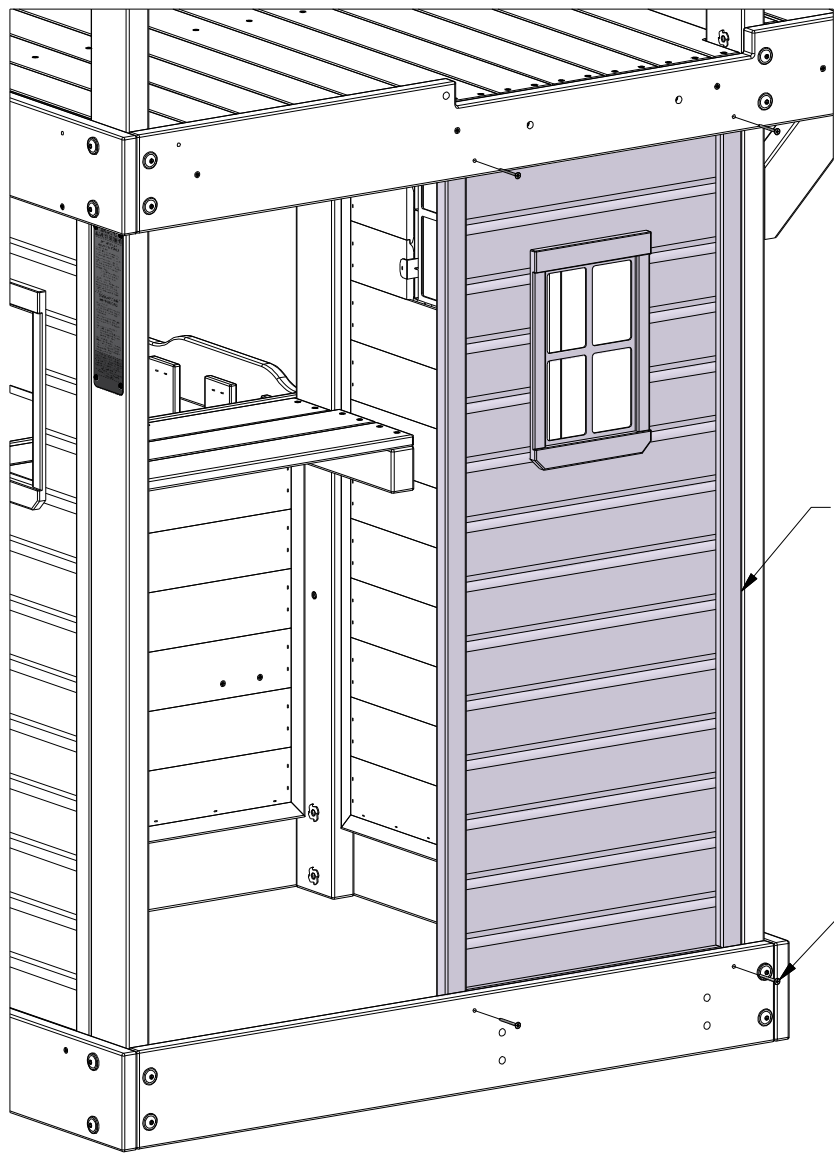
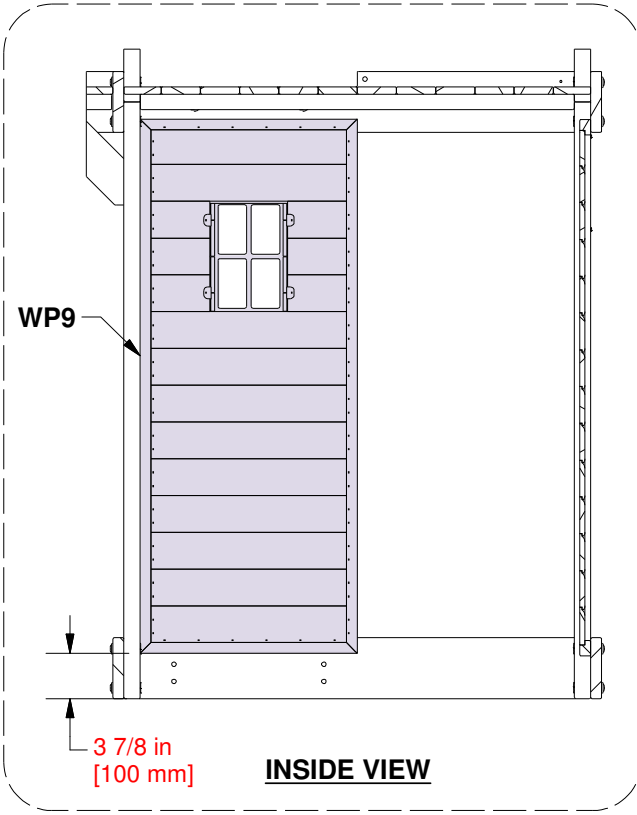
M6 (x1)

STEP 33 - FORT ASSEMBLY

QTY	PART NUMBER	DESCRIPTION
4	H100382	SCREW PFH 8x1 3/4 BLK



WP9 LOWER WALL PANEL - W2A02090
 (x1) 1"x16 7/8"x46 1/2" (24x479x1176)

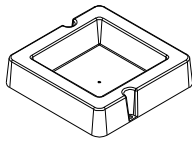
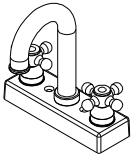


WP9 (x1)
LOWER WALL PANEL

382 (x4)
SCREW - 1 3/4"

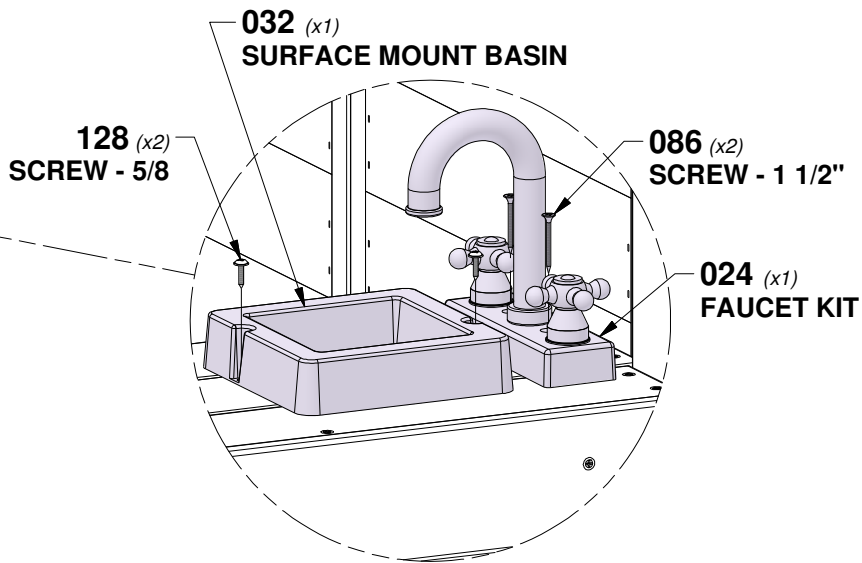
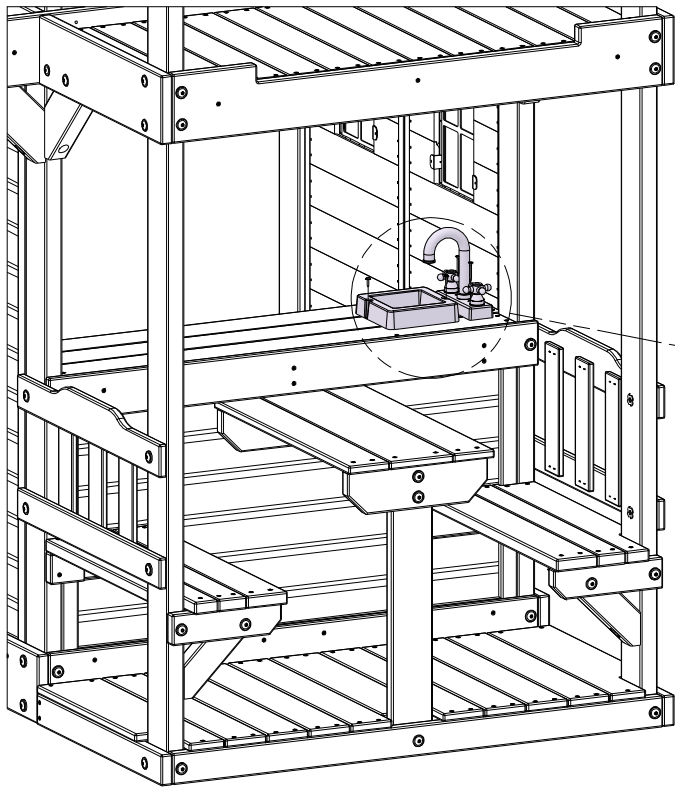
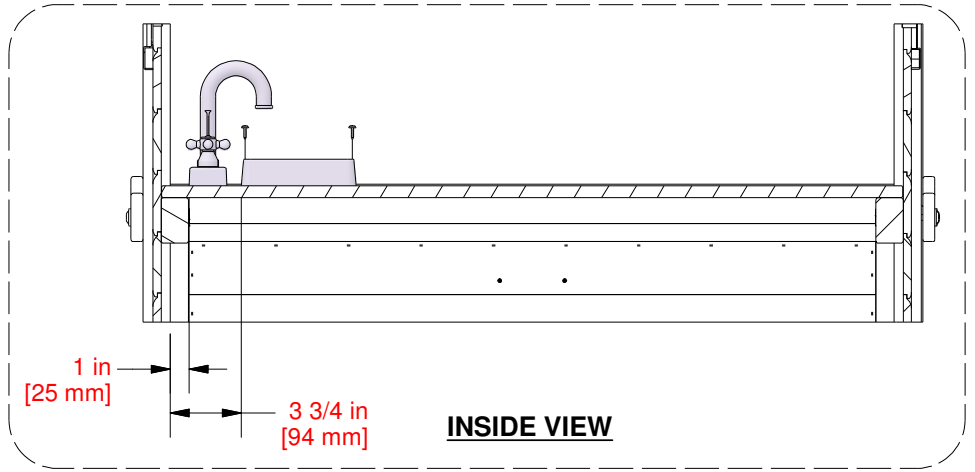
STEP 34 - FORT ASSEMBLY

QTY	PART NUMBER	DESCRIPTION
2	H100086	SCREW PFH 8x1-1/2"
2	H100128	SCREW PWH 8x5/8



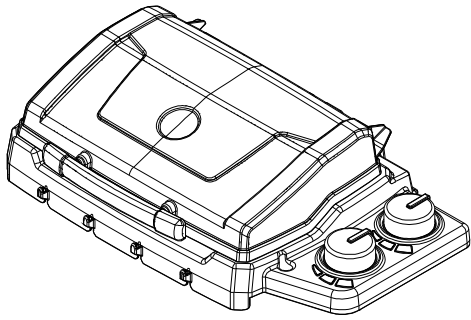
A6P00024
(x1) **FAUCET KIT**

A6P00032 **SURFACE**
(x1) **MOUNT BASIN**

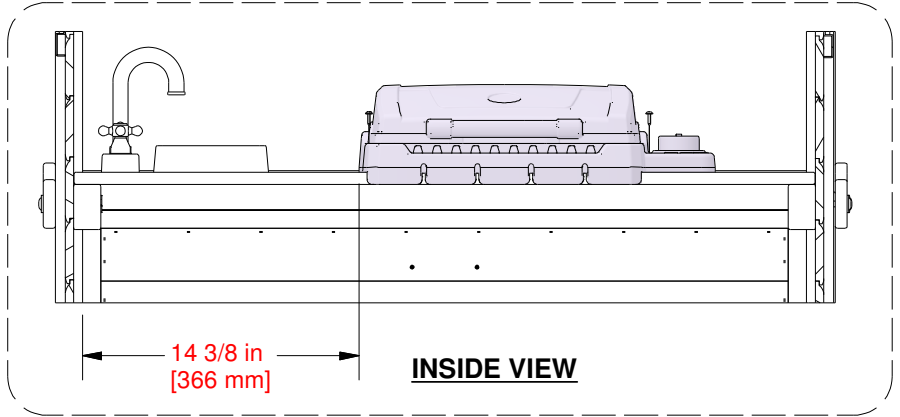


STEP 35 - FORT ASSEMBLY

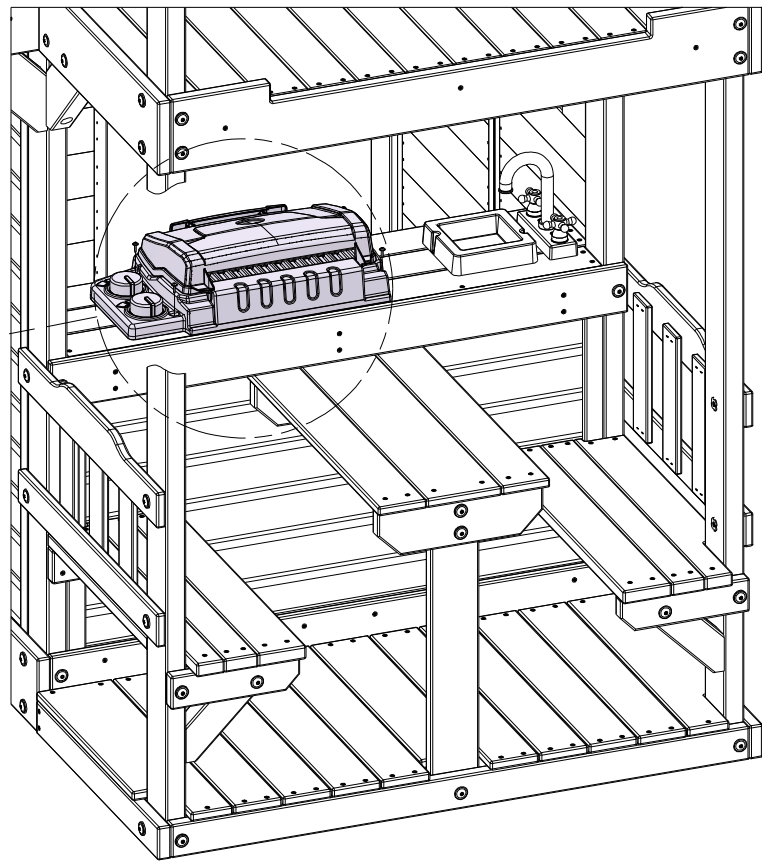
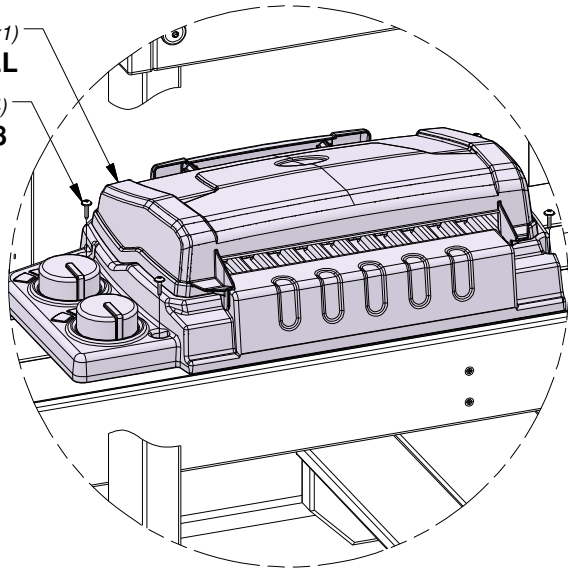
QTY	PART NUMBER	DESCRIPTION
4	H100128	SCREW PWH 8x5/8



A6P00282 BBQ GRILL
(x1)

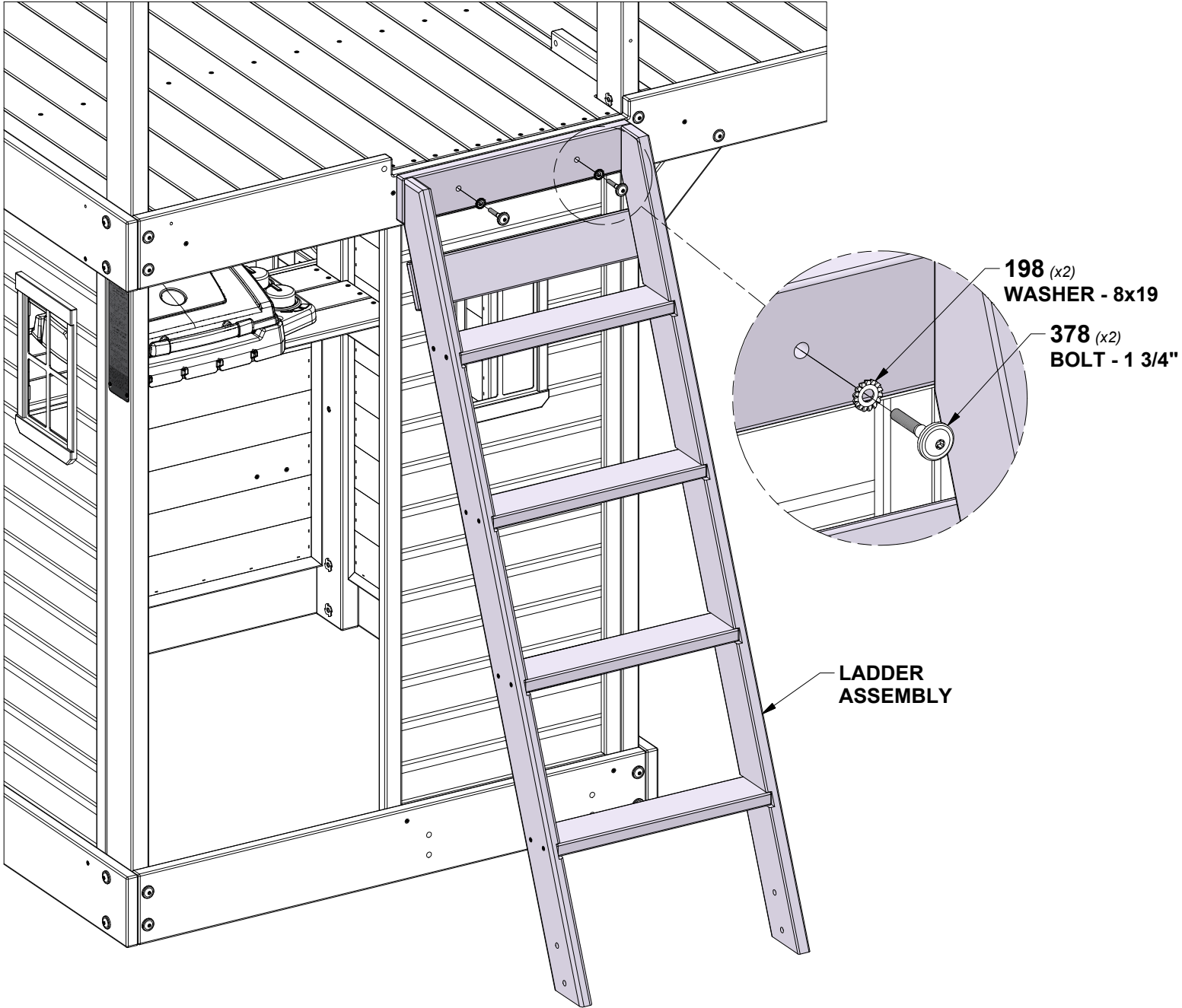


282 (x1)
BBQ GRILL
128 (x4)
SCREW - 5/8



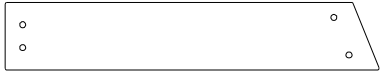
STEP 36 - FORT ASSEMBLY

QTY	PART NUMBER	DESCRIPTION
2	H100198	WASHER LOCK EXT 8x19 BLK
2	H100378	BOLT WH 5/16x1 3/4 BLK

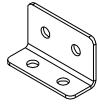


STEP 37 - FORT ASSEMBLY

QTY	PART NUMBER	DESCRIPTION
4	H100198	WASHER LOCK EXT 8x19 BLK
4	H100378	BOLT WH 5/16x1 3/4 BLK
12	H100379	T-NUT 5/16 BLK
8	H100468	BOLT WH 5/16x1 BLK

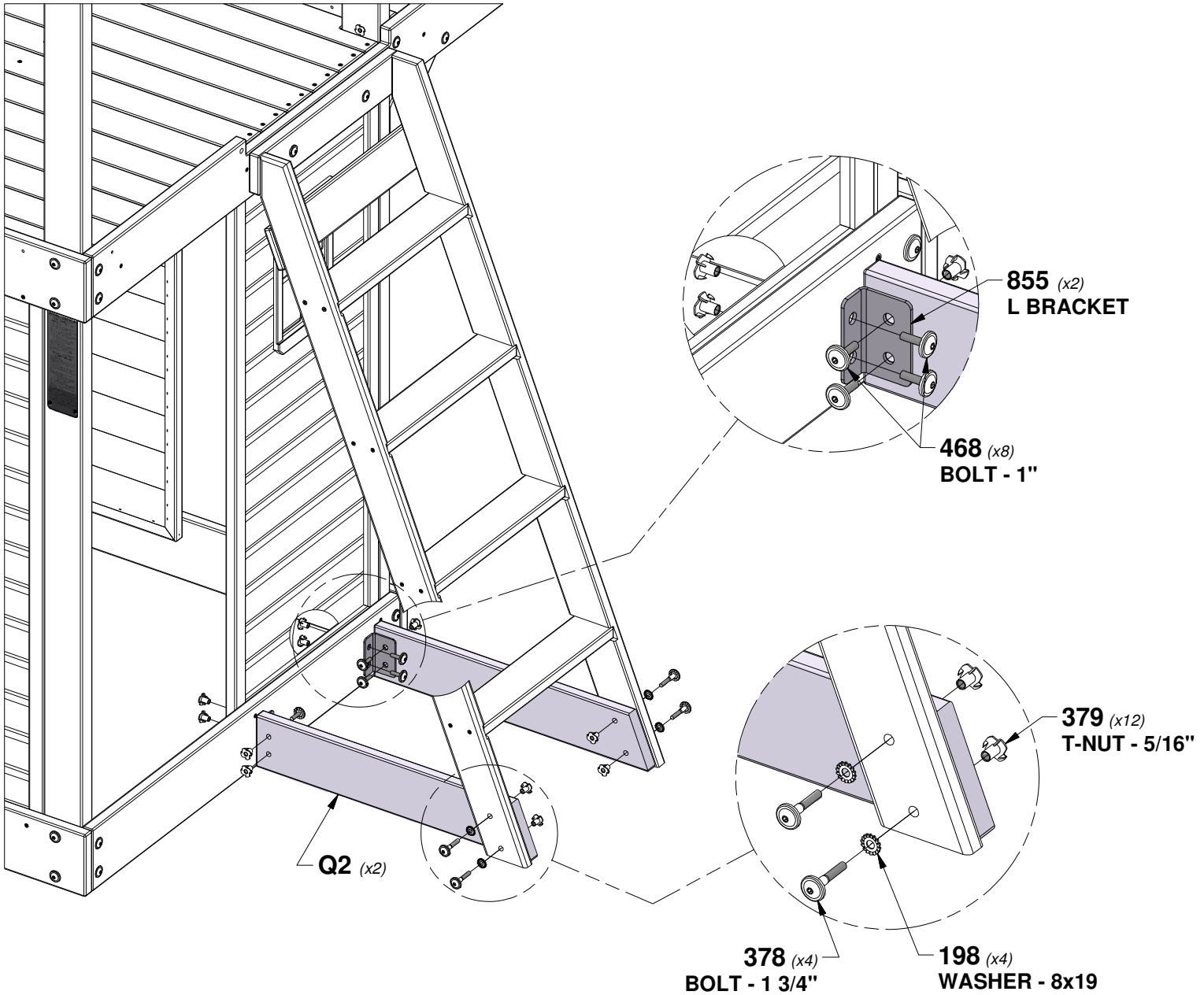


Q2 GROUND BOARD - W4L17640
(x2) 1"x4 3/8"x24 3/8" (24x112x620)

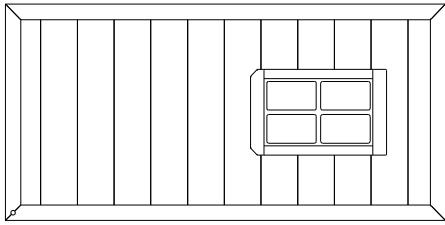


A4M00855 L BRACKET
(x2) 51x32x82x3.175

TIP:
INSTALL T-NUTS IN WOOD FIRST



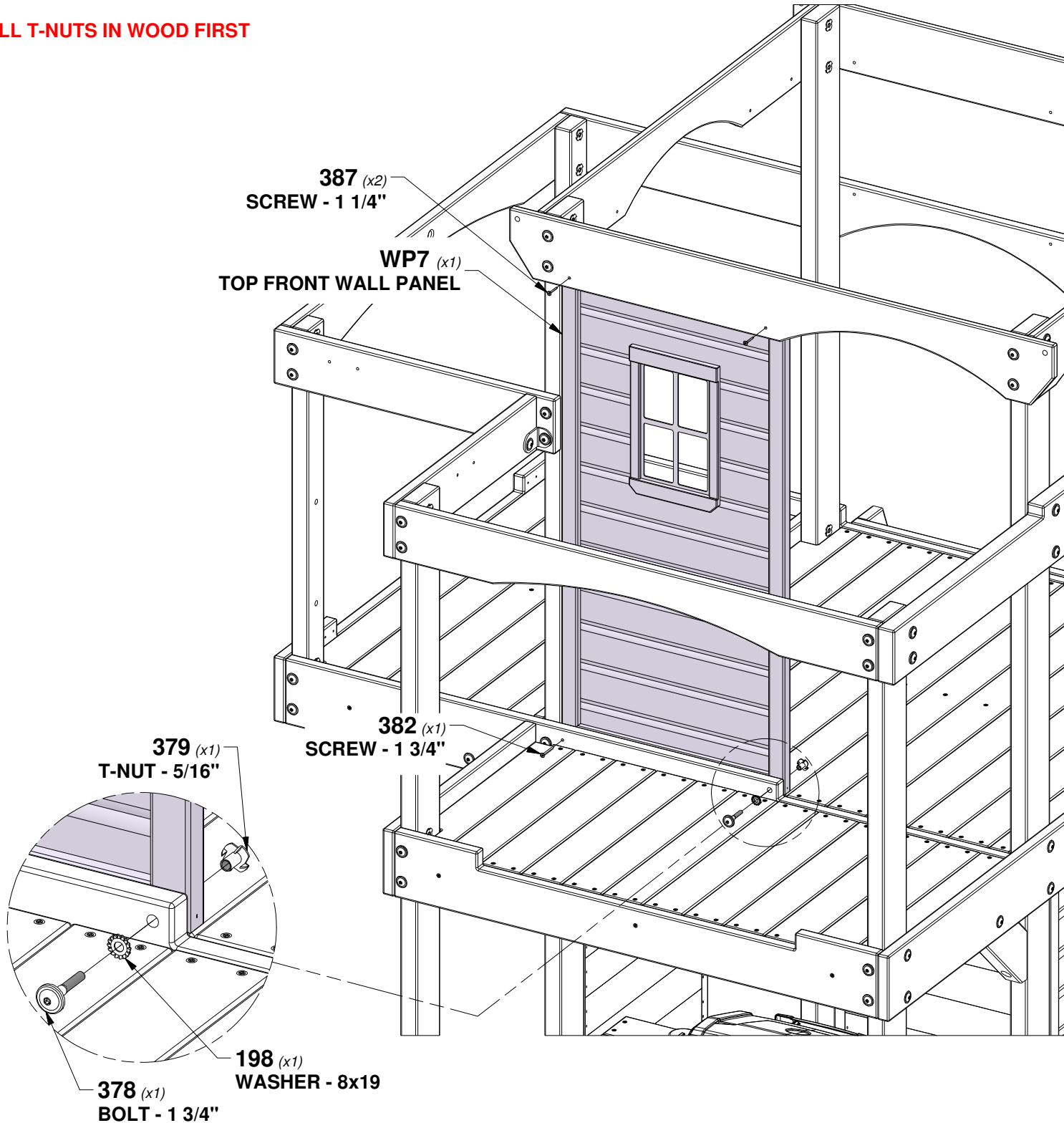
STEP 38 - FORT ASSEMBLY



WP7 TOP FRONT WALL PANEL - W2A03840
 (x1) 1"x16 7/8"x46 1/2" (24x476x971)

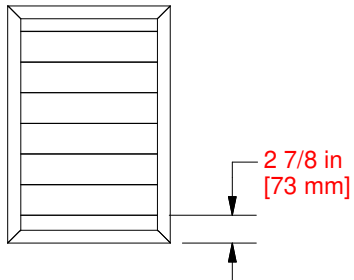
QTY	PART NUMBER	DESCRIPTION
1	H100198	WASHER LOCK EXT 8x19 BLK
1	H100378	BOLT WH 5/16x1 3/4 BLK
1	H100379	T-NUT 5/16 BLK
1	H100382	SCREW PFH 8x1-3/4 BLK
2	H100387	SCREW PFH 8x1-1/4 BLK

TIP:
INSTALL T-NUTS IN WOOD FIRST



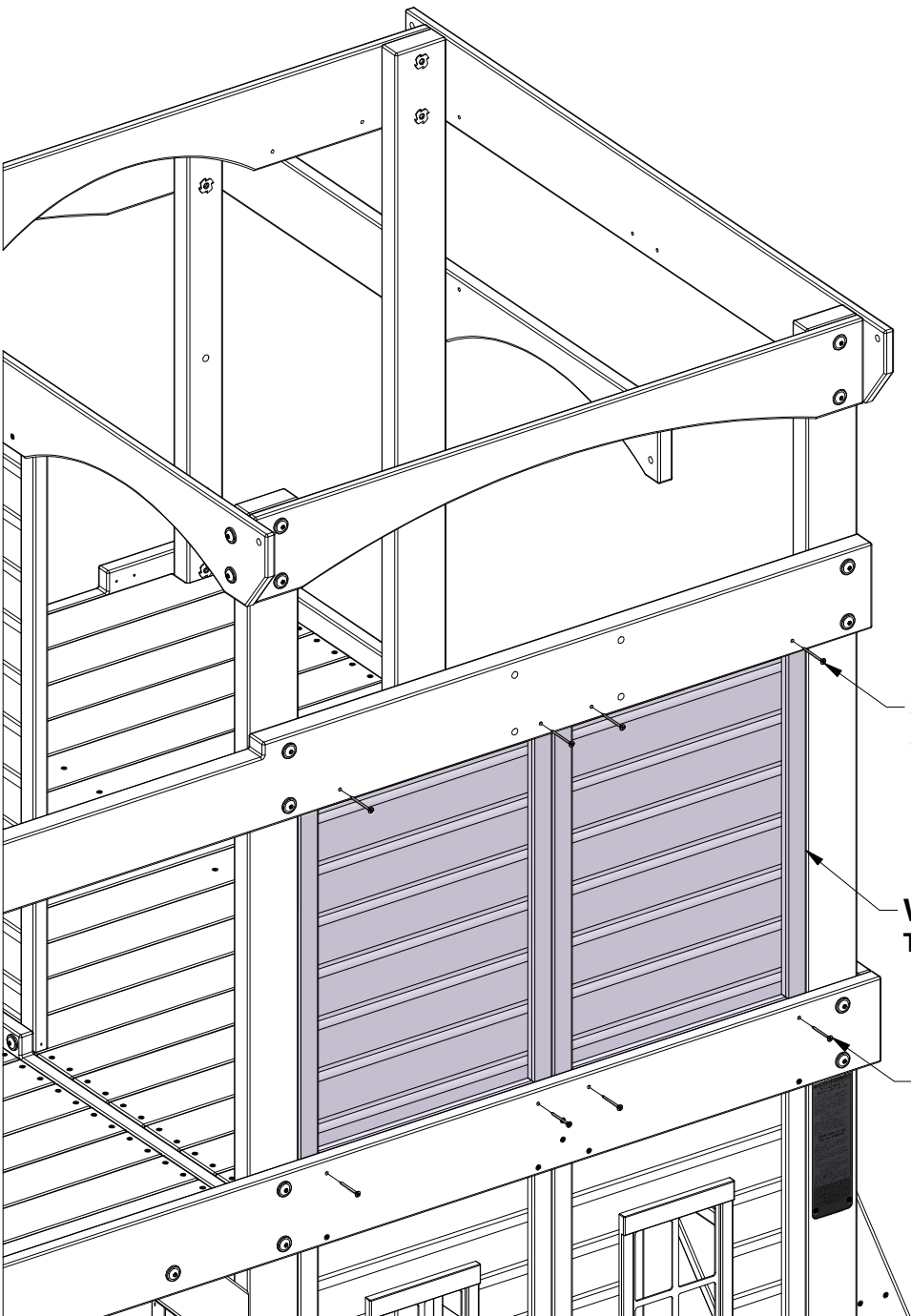
STEP 39 - FORT ASSEMBLY

QTY	PART NUMBER	DESCRIPTION
4	H100382	SCREW PFH 8x1 3/4 BLK
4	H100391	SCREW PFH 8x2 BLK



WP4 TOP RIGHT FRONT WALL PANEL - W2A03841

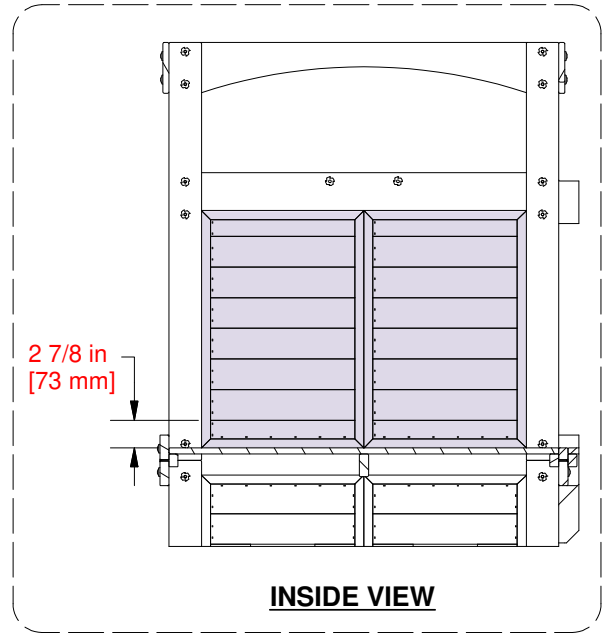
(x2) 1"x16 7/8"x24 5/8" (24x430x627)



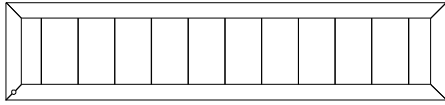
391 (x4)
SCREW - 2"

WP4 (x2)
TOP RIGHT FRONT WALL PANEL

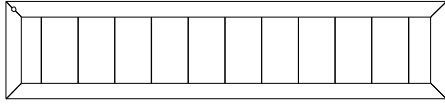
382 (x4)
SCREW - 1 3/4"



STEP 40 - FORT ASSEMBLY



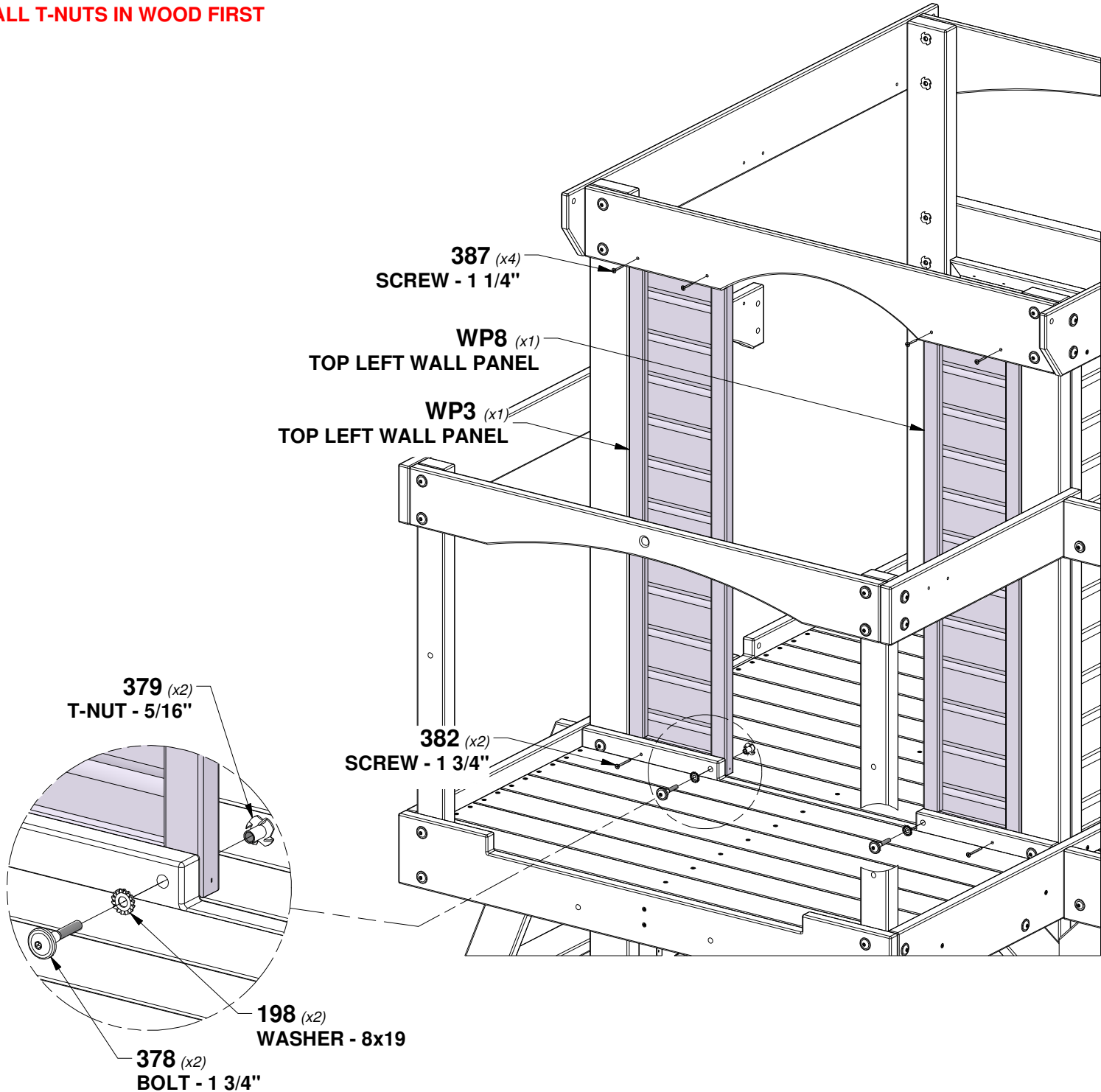
WP3 TOP LEFT WALL PANEL - W2A03843
(x1) 1"x18 7/8"x11 3/4" (24x214x971)



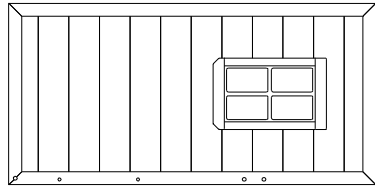
WP8 TOP LEFT WALL PANEL - W2A03844
(x1) 1"x18 7/8"x11 3/4" (24x214x971)

QTY	PART NUMBER	DESCRIPTION
2	H100198	WASHER LOCK EXT 8x19 BLK
2	H100378	BOLT WH 5/16x1 3/4 BLK
2	H100379	T-NUT 5/16 BLK
2	H100382	SCREW PFH 8x1-3/4 BLK
4	H100387	SCREW PFH 8x1-1/4 BLK

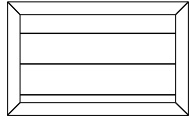
TIP:
INSTALL T-NUTS IN WOOD FIRST



STEP 41 - FORT ASSEMBLY



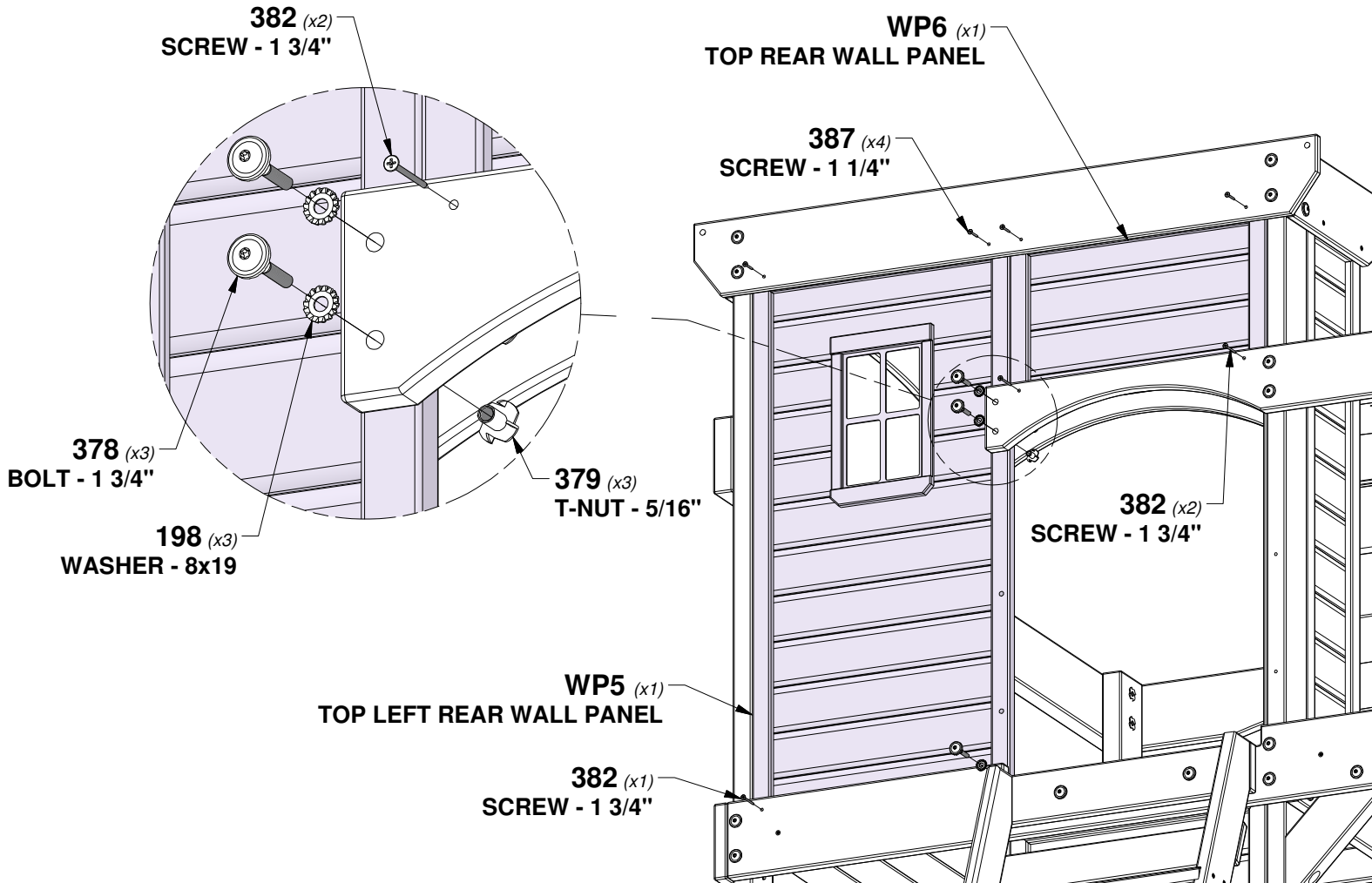
WP5 TOP LEFT REAR WALL PANEL - W2A03842
(x1) 1"x16 7/8"x46 1/2" (24x479x971)



WP6 TOP REAR WALL PANEL - W2A02087
(x1) 1"x18 7/8"x11 3/4" (24x479x300)

QTY	PART NUMBER	DESCRIPTION
3	H100198	WASHER LOCK EXT 8x19 BLK
3	H100378	BOLT WH 5/16x1 3/4 BLK
3	H100379	T-NUT 5/16 BLK
3	H100382	SCREW PFH 8x1-3/4 BLK
4	H100387	SCREW PFH 8x1-1/4 BLK

TIP:
INSTALL T-NUTS IN WOOD FIRST

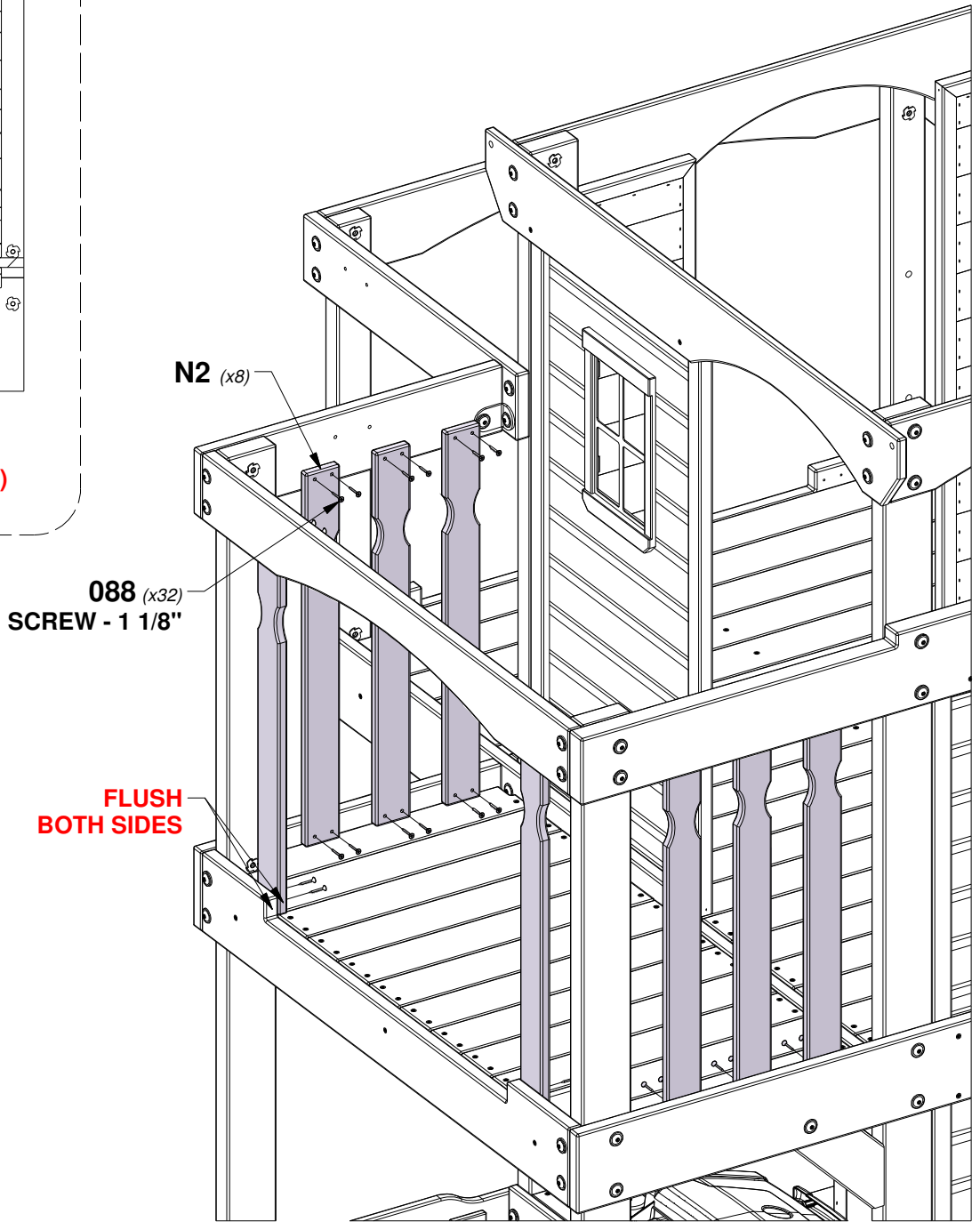
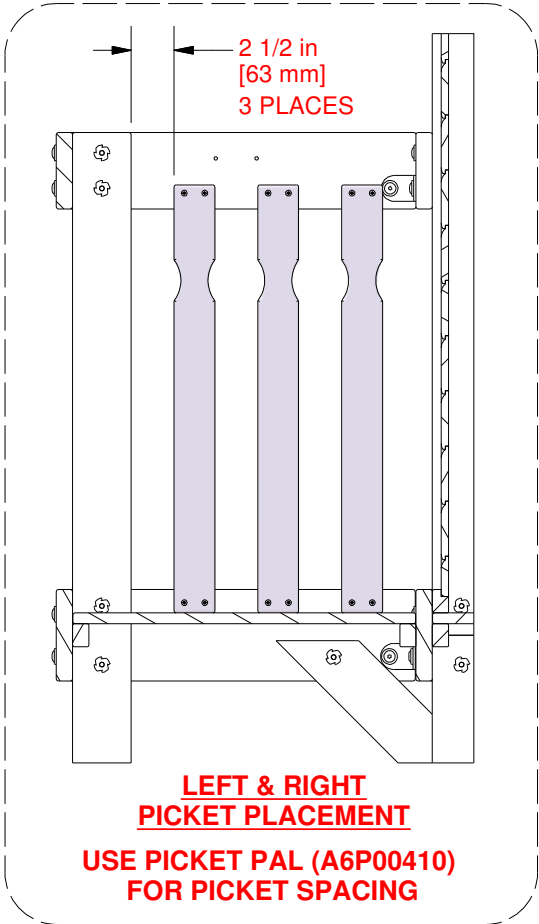


STEP 42 - FORT ASSEMBLY

QTY	PART NUMBER	DESCRIPTION
32	H100088	SCREW PFH 8x1-1/8"



N2 PICKET - W4L07612
(x8) 5/8"x2 3/8"x24 3/4" (16x60x628)

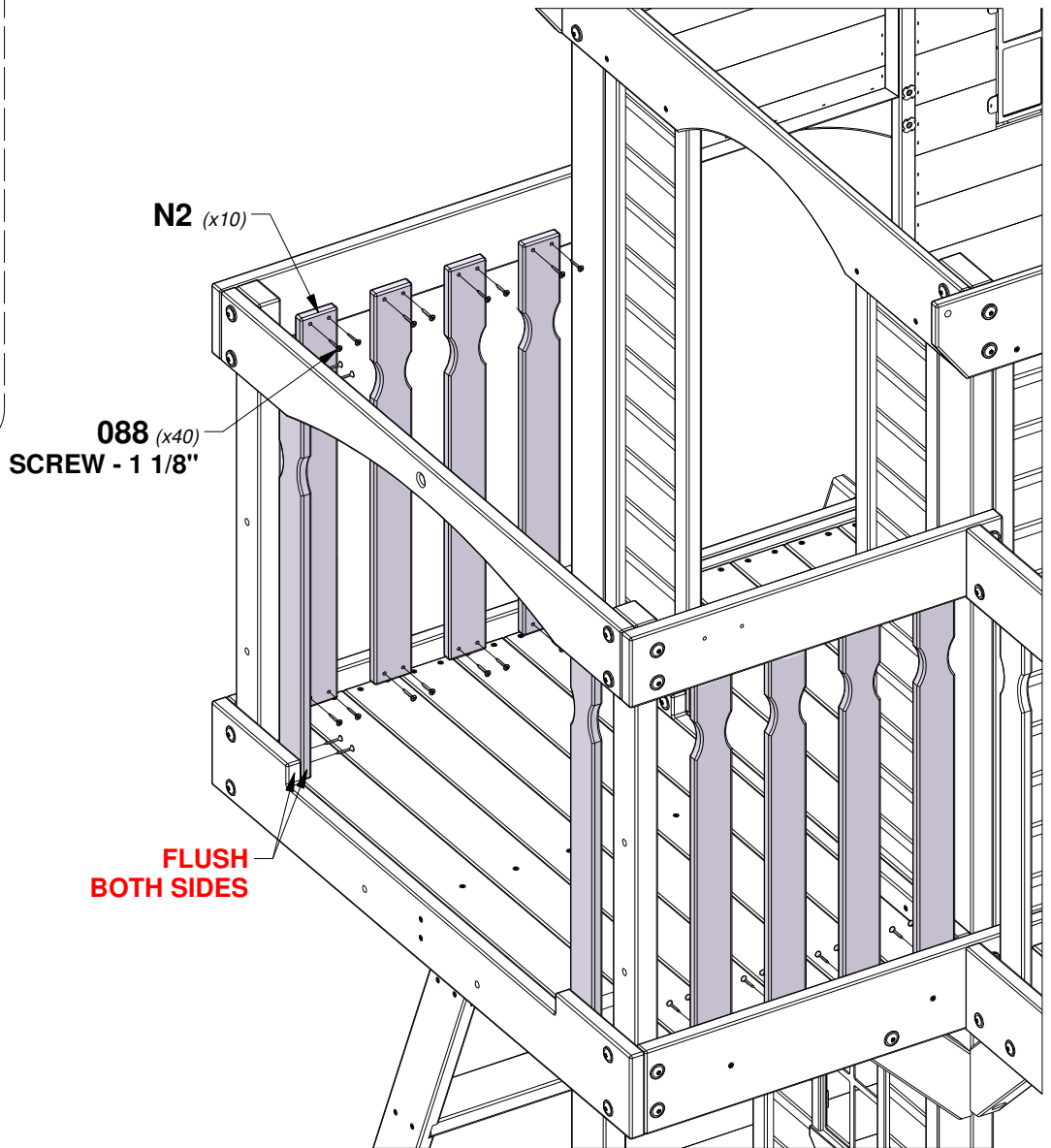
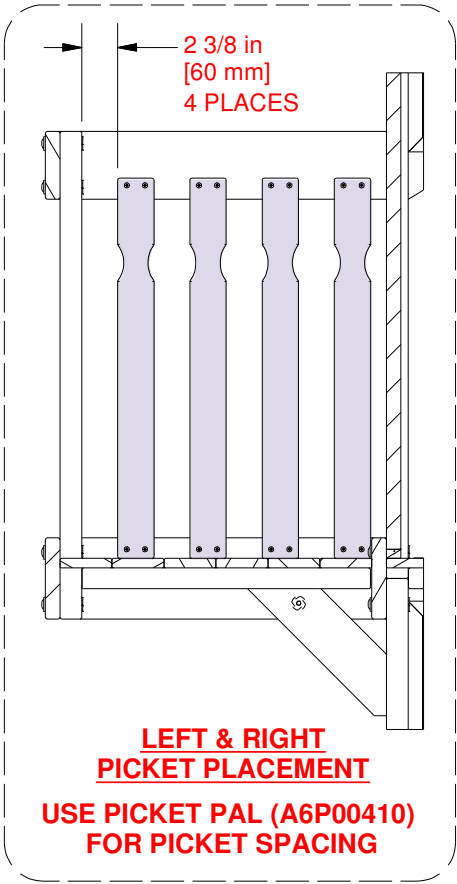


STEP 43 - FORT ASSEMBLY

QTY	PART NUMBER	DESCRIPTION
40	H100088	SCREW PFH 8x1-1/8"

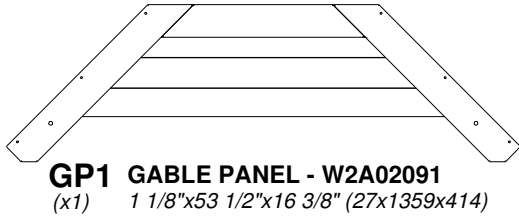


N2 PICKET - W4L07612
(x10) 5/8"x2 3/8"x24 3/4" (16x60x628)

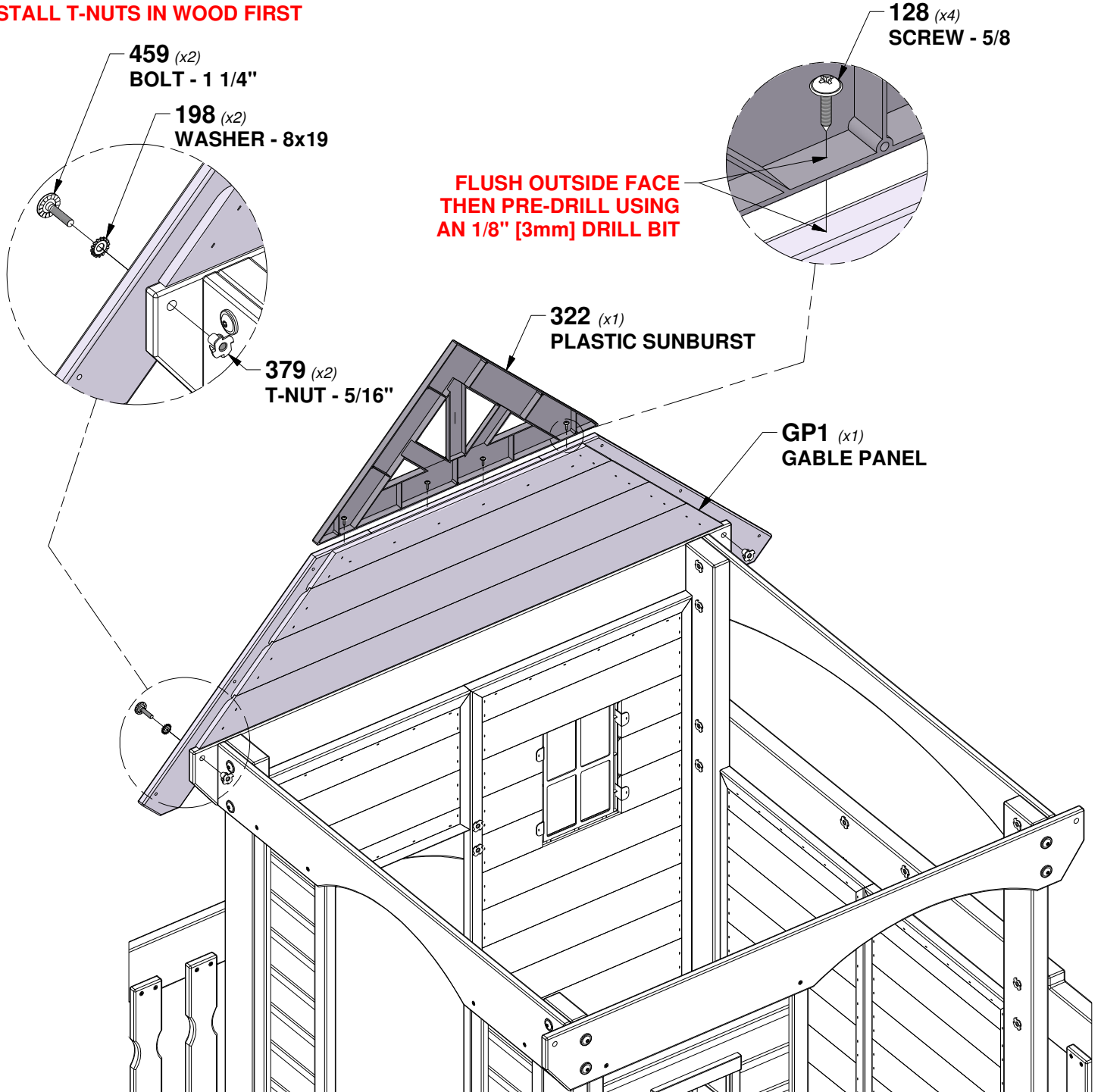


STEP 44 - FORT ASSEMBLY

QTY	PART NUMBER	DESCRIPTION
4	H100128	SCREW PWH 8x5/8
2	H100198	WASHER LOCK EXT 8x19 BLK
2	H100379	T-NUT 5/16 BLK
2	H100459	BOLT WH 5/16x1 1/4 BLK

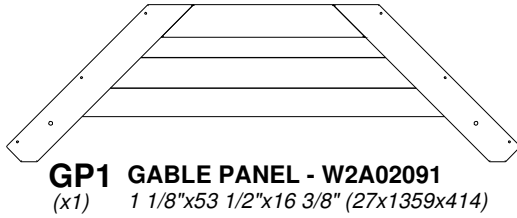


TIP:
INSTALL T-NUTS IN WOOD FIRST



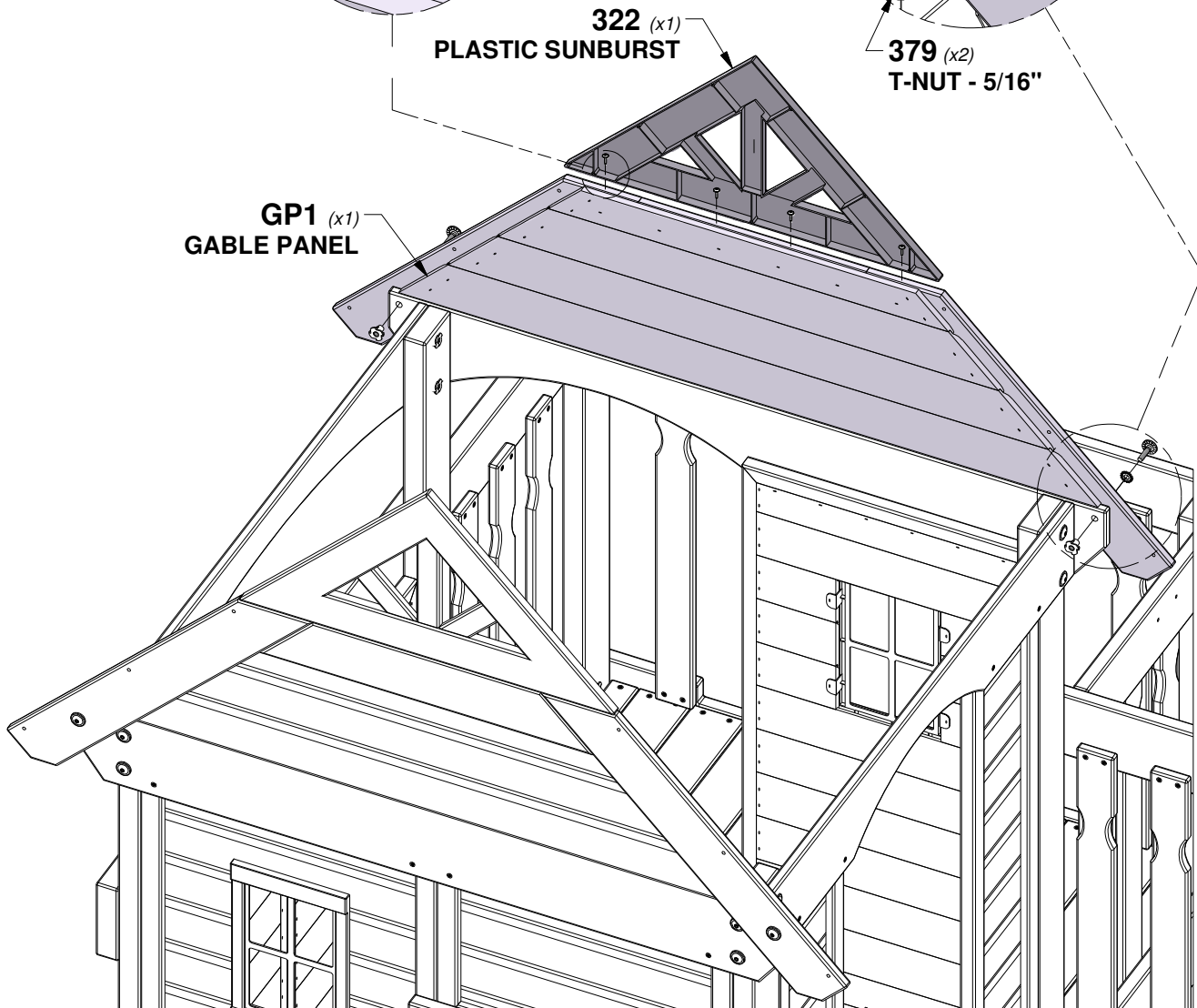
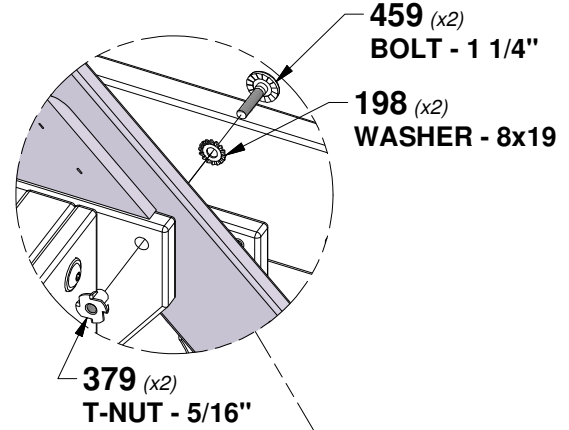
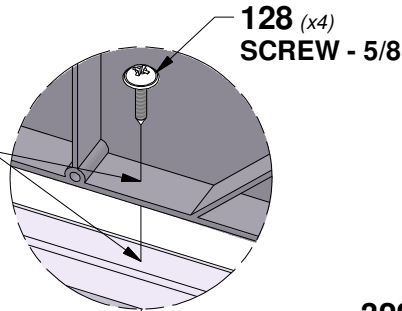
STEP 45 - FORT ASSEMBLY

QTY	PART NUMBER	DESCRIPTION
4	H100128	SCREW PWH 8x5/8
2	H100198	WASHER LOCK EXT 8x19 BLK
2	H100379	T-NUT 5/16 BLK
2	H100459	BOLT WH 5/16x1 1/4 BLK



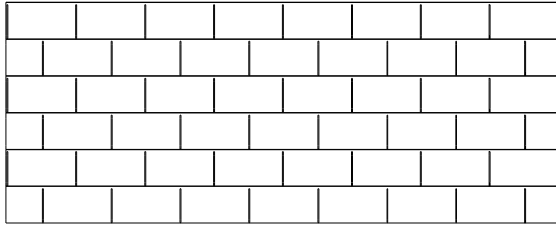
TIP:
INSTALL T-NUTS IN WOOD FIRST

FLUSH OUTSIDE FACE THEN PRE-DRILL USING AN 1/8" [3mm] DRILL BIT



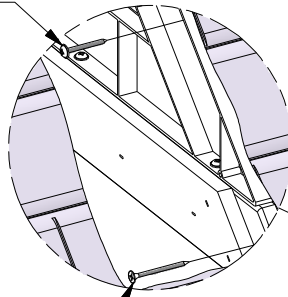
STEP 46 - FORT ASSEMBLY

QTY	PART NUMBER	DESCRIPTION
4	H100089	SCREW PFH 8x1-3/4"
8	H100180	SCREW PWH 8x1-1/4"



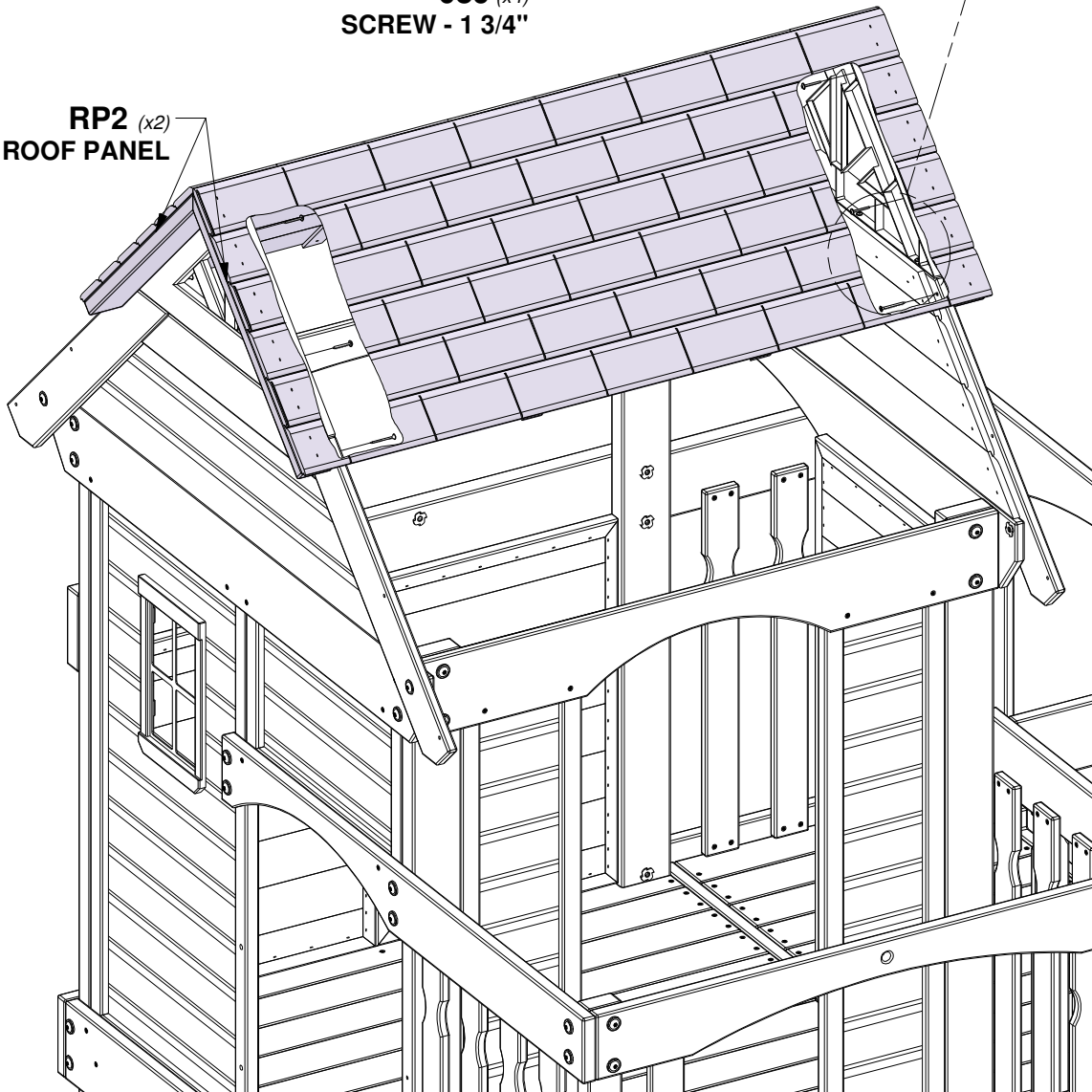
RP2 TOP ROOF PANEL - W2A02495
 (x2) 1 3/8"x48"x19 1/8" (35x1220x486)

180 (x8)
SCREW - 1-1/4"



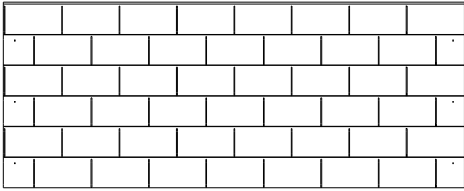
089 (x4)
SCREW - 1 3/4"

RP2 (x2)
TOP ROOF PANEL



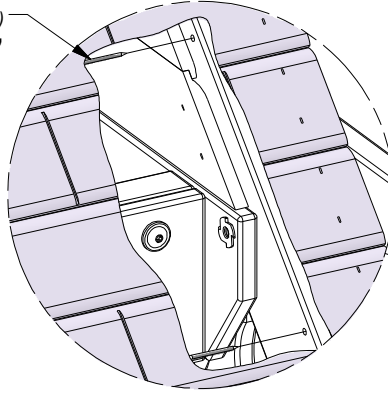
STEP 47 - FORT ASSEMBLY

QTY	PART NUMBER	DESCRIPTION
8	H100089	SCREW PFH 8x1-3/4"

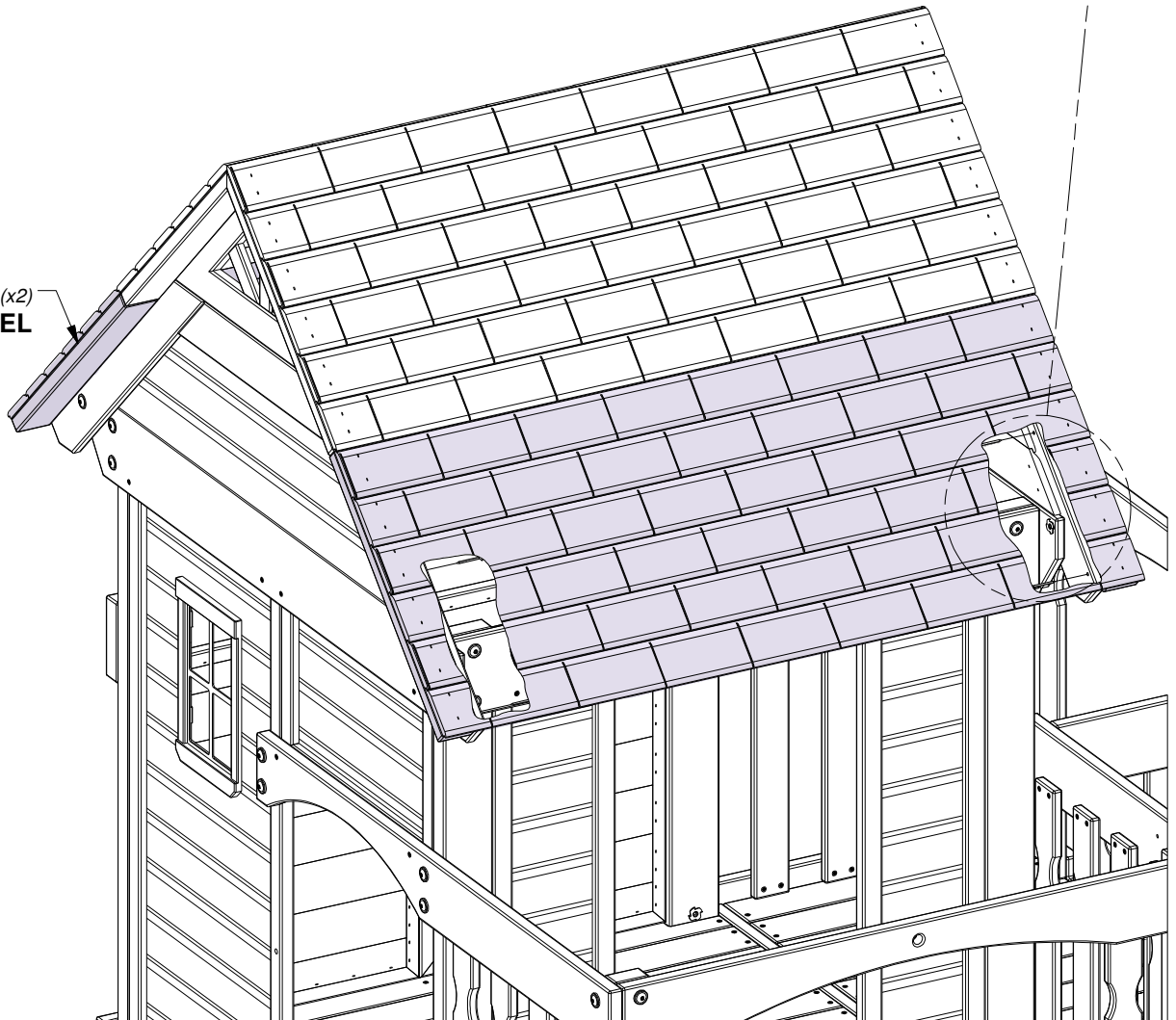


RP1 BOTTOM ROOF PANEL - W2A02494
(x2) 1 3/8"x48"x19 3/8" (35x1220x491)

089 (x8)
SCREW - 1 3/4"

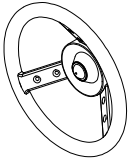


RP1 (x2)
BOTTOM ROOF PANEL



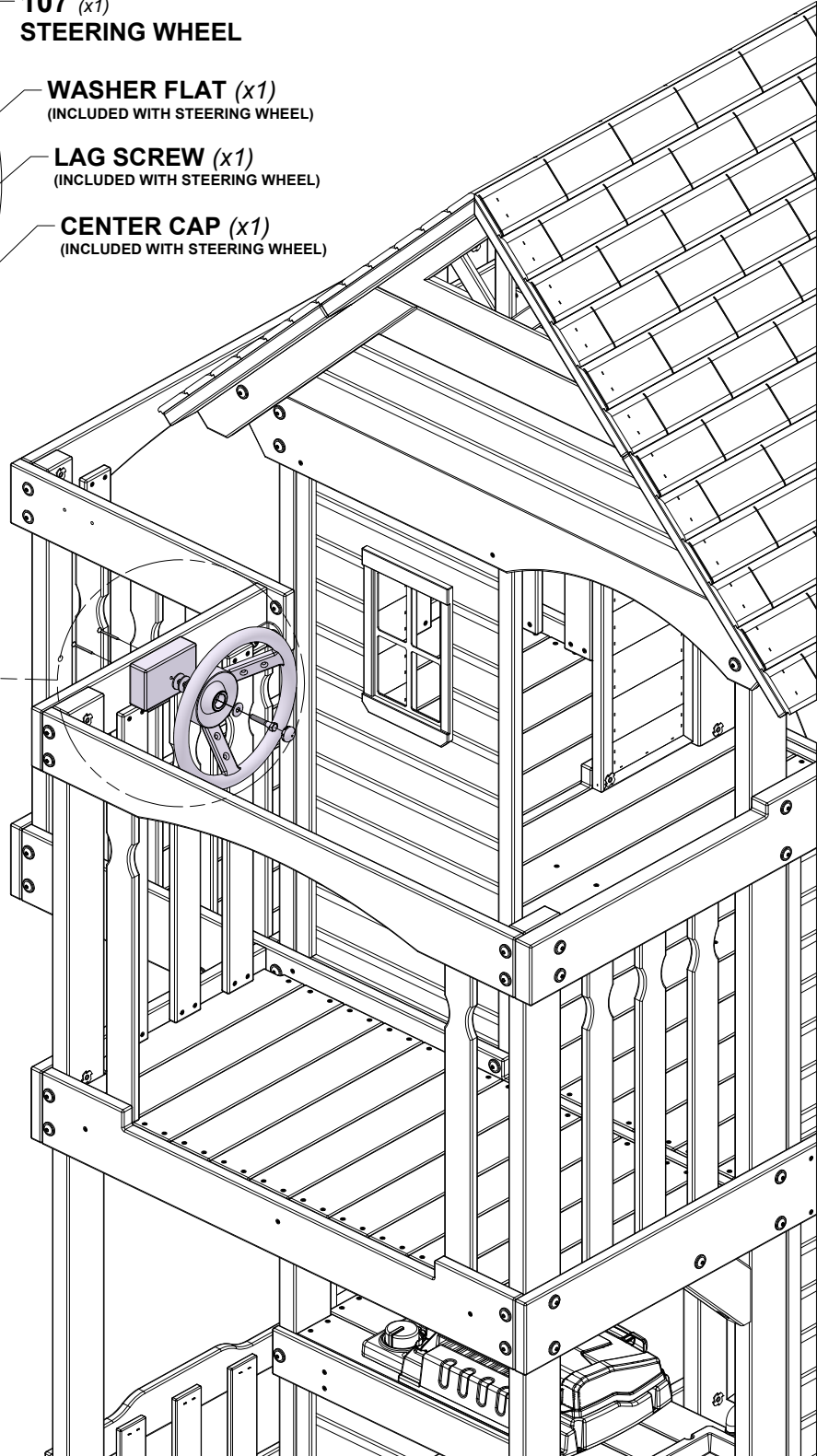
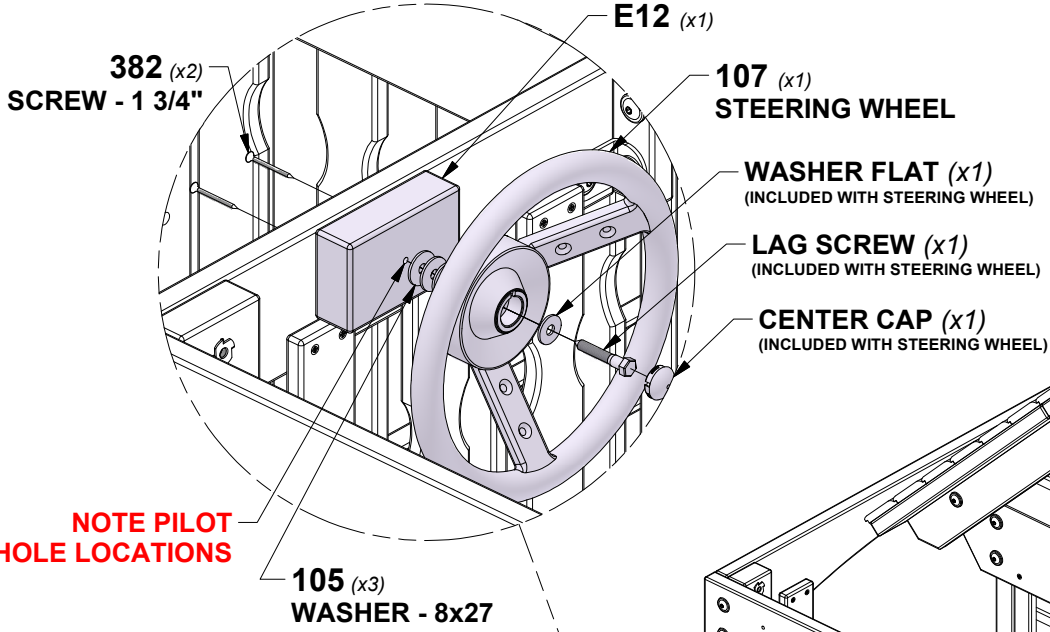
STEP 48 - FORT ASSEMBLY

QTY	PART NUMBER	DESCRIPTION
2	H100382	SCREW PFH 8x1 3/4 BLK
3	H100105	WASHER FLAT 8x27



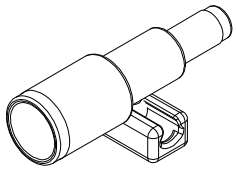
A100107
(x1) **STEERING WHEEL**

E12 MOUNTING BLOCK - W4L17816
(x1) 1 3/8"x3"x4 3/4" (36x76x120)



STEP 49 - FORT ASSEMBLY

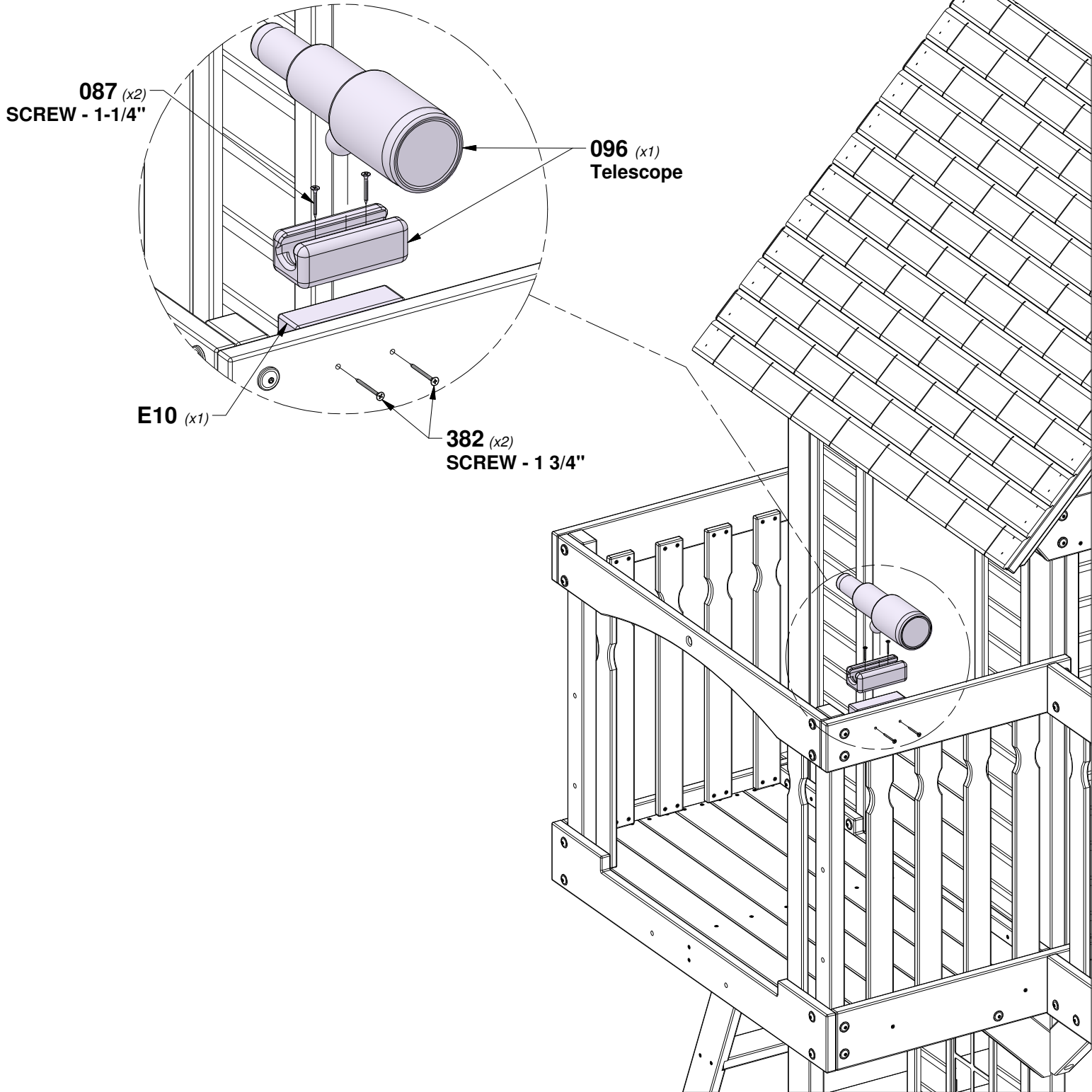
QTY	PART NUMBER	DESCRIPTION
2	H100087	SCREW PFH 8x1-1/4"
2	H100382	SCREW PFH 8x1 3/4 BLK



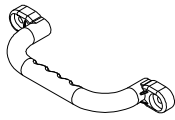
A6P00096
(x1) **TELESCOPE**



E10 MOUNTING BLOCK - W4L17815
(x1) 1 3/8"x3"x4 3/4" (36x76x120)



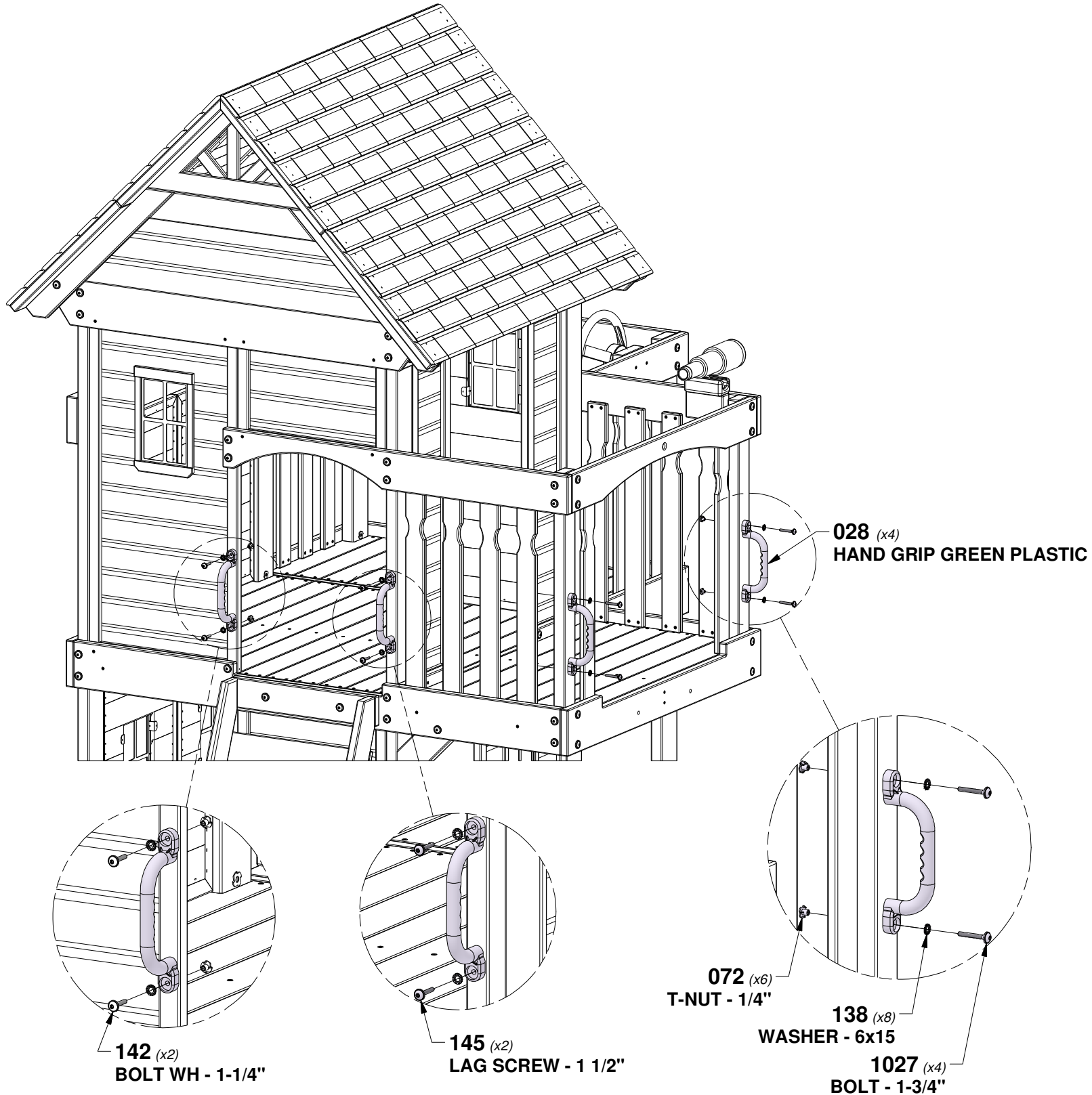
STEP 50 - FORT ASSEMBLY



A100028 HAND GRIP
(x4) GREEN PLASTIC

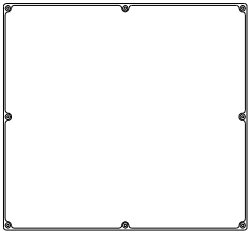
QTY	PART NUMBER	DESCRIPTION
6	H100072	T-NUT 1/4
8	H100138	WASHER LOCK EXT 6x15
2	H100142	BOLT WH 1/4x1-1/4
2	H100145	LAG SCREW WH 1/4x1-1/2
4	H101027	BOLT WH 1/4x1-3/4

TIP:
INSTALL T-NUTS IN WOOD FIRST



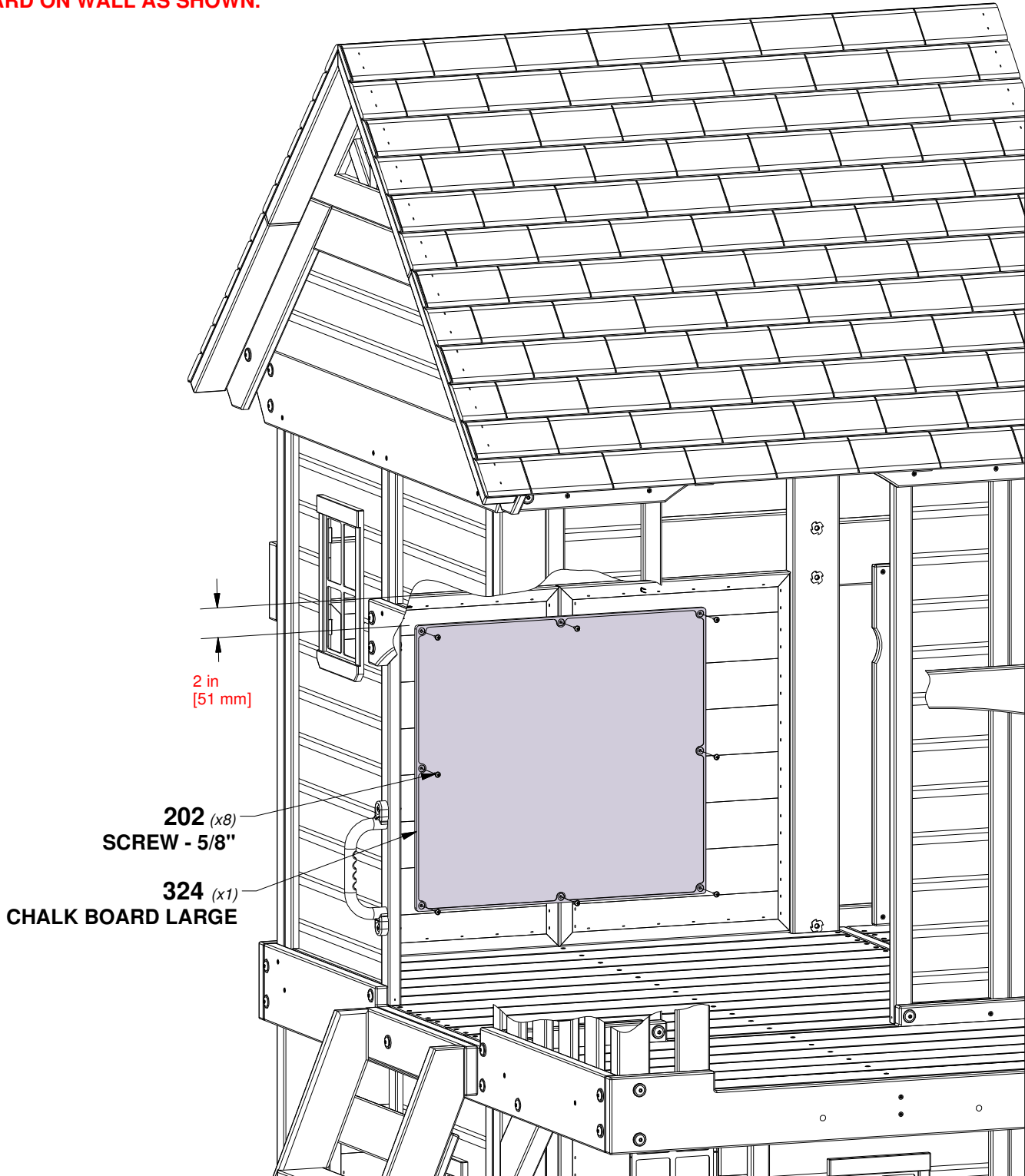
STEP 51 - FORT ASSEMBLY

QTY	PART NUMBER	DESCRIPTION
8	H100202	SCREW PWH 8x5/8 BLK



**A6P00324 CHALK BOARD
(x1) LARGE**

TIP:
CENTER CHALK BOARD ON WALL AS SHOWN.



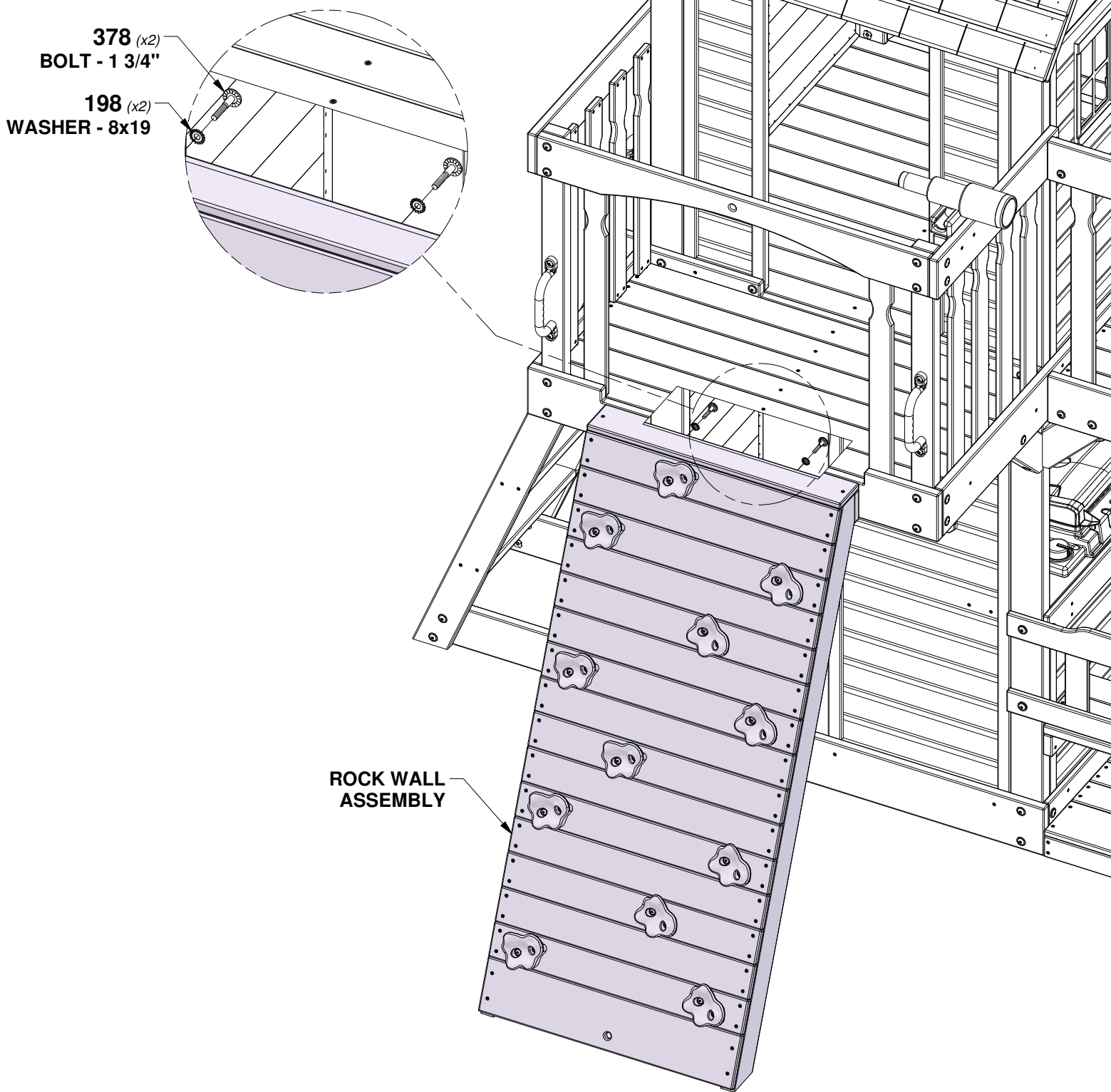
2 in
[51 mm]

**202 (x8)
SCREW - 5/8"**

**324 (x1)
CHALK BOARD LARGE**

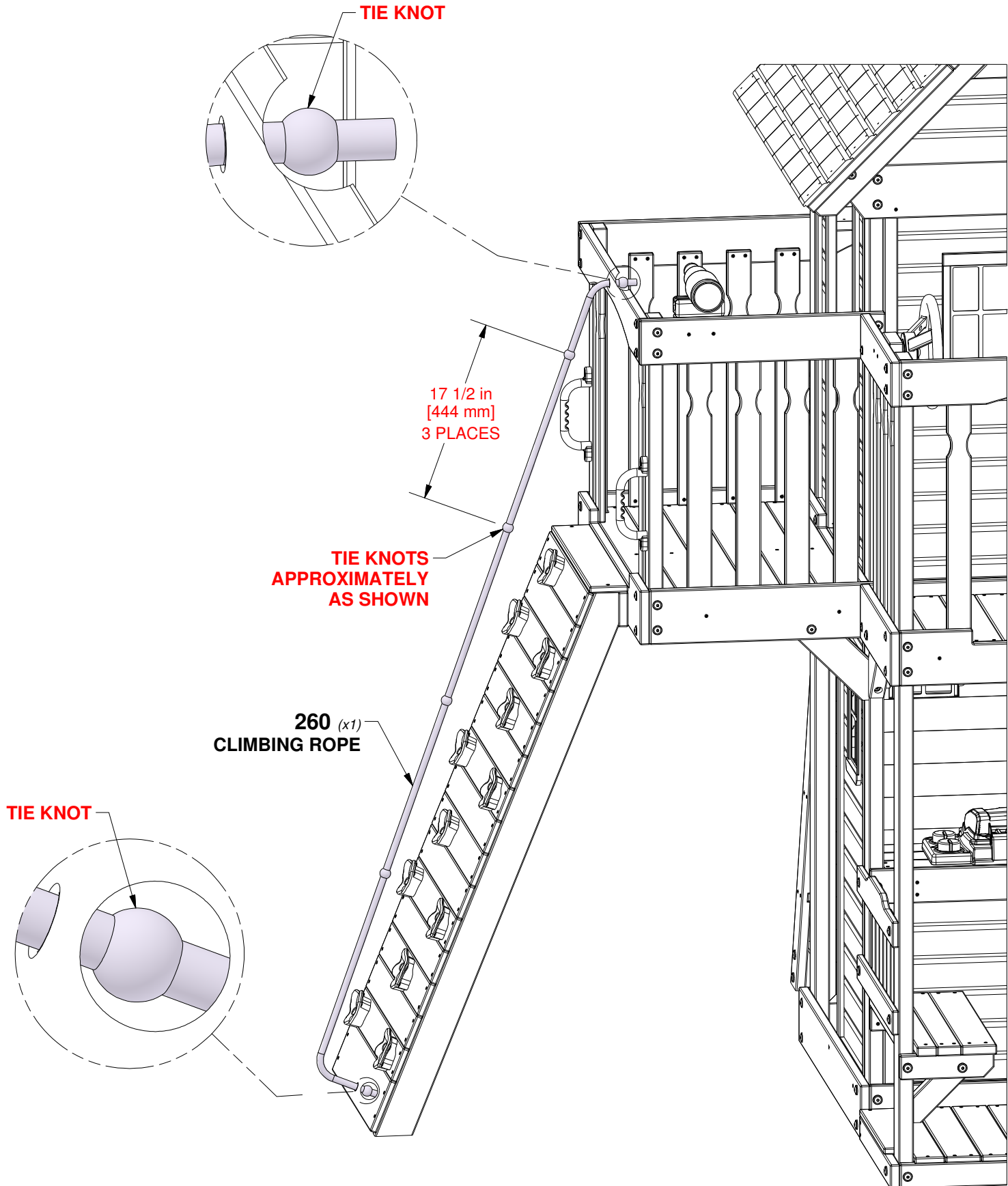
STEP 1 - FINAL ASSEMBLY

QTY	PART NUMBER	DESCRIPTION
2	H100198	WASHER LOCK EXT 8x19 BLK
2	H100378	BOLT WH 5/16x1 3/4 BLK



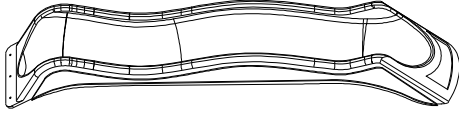
STEP 2 - FINAL ASSEMBLY

A6P00260
(x1) CLIMBING ROPE



STEP 3 - FINAL ASSEMBLY

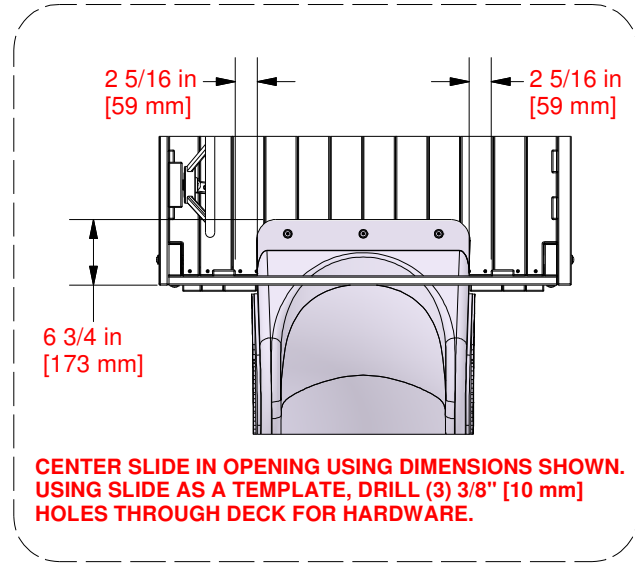
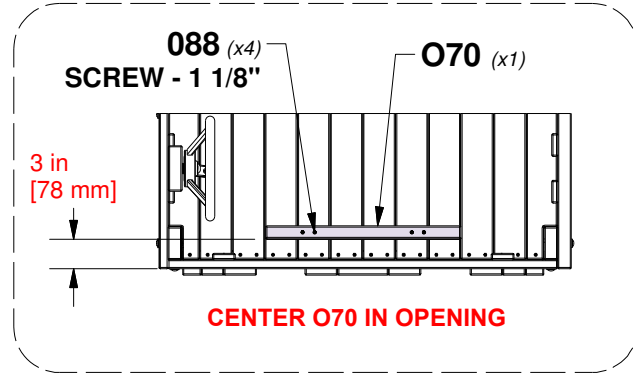
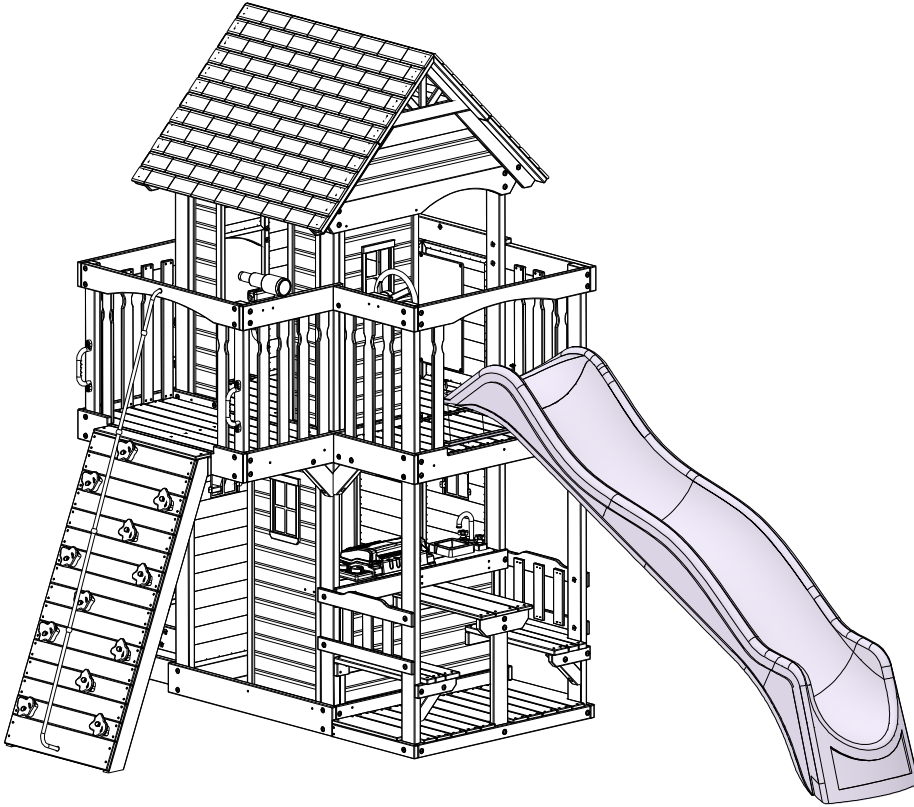
10 FT VACUUM FORMED SLIDE		
PART NUMBER	COLOR	MODEL NUMBER
A100287	GREEN	1803022B
A6P00540	YELLOW	2200272B
A6P00539	GREY	2300026B



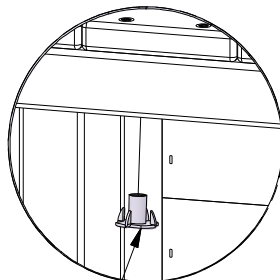
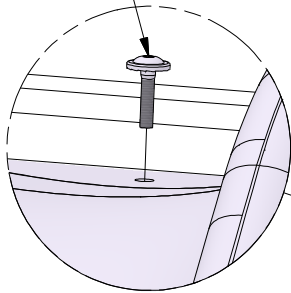
QTY	PART NUMBER	DESCRIPTION
3	H100009	BOLT WH 5/16x1-1/4
3	H100074	T-NUT 5/16
4	H100088	SCREW PFH 8x1-1/8



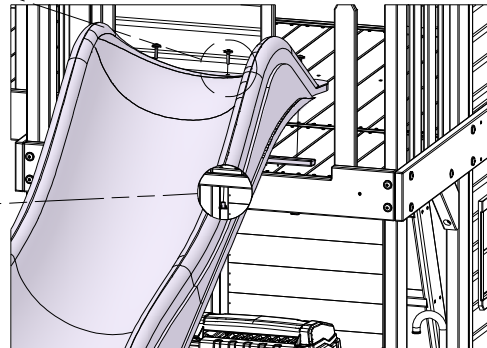
070 SLIDE MOUNTING BOARD - W4L09040
(x1) 5/8"x1 3/8"x20 3/8" (16x34x517)



009 (x3) BOLT - 1 1/4"

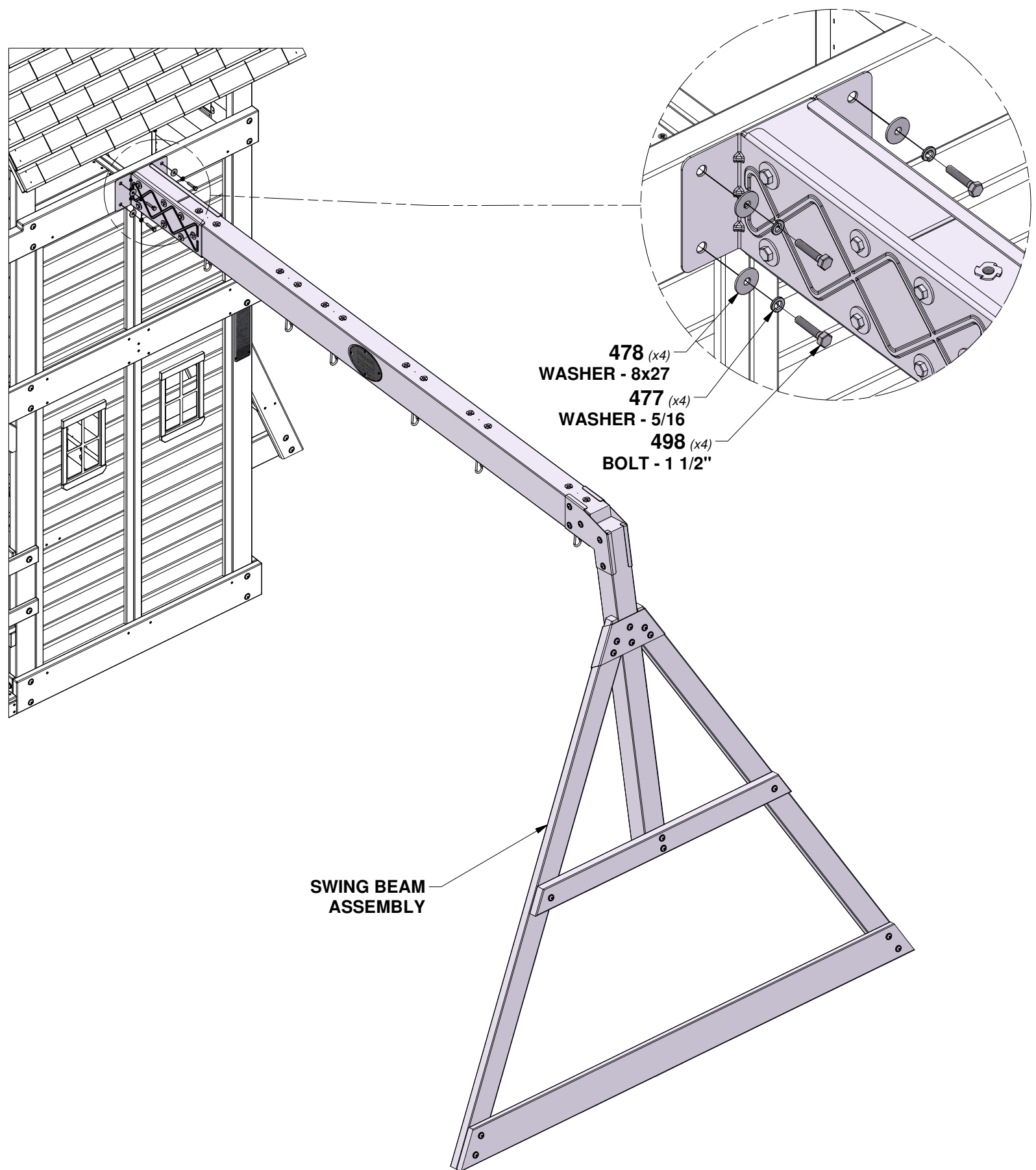


074 (x3) T-NUT - 5/16"



STEP 4 - FINAL ASSEMBLY

QTY	PART NUMBER	DESCRIPTION
4	H100477	WASHER SPLIT 5/16 BLK
4	H100478	WASHER FLAT 8x27 BLK
4	H100498	BOLT HEX 5/16x1-1/2 - BLK

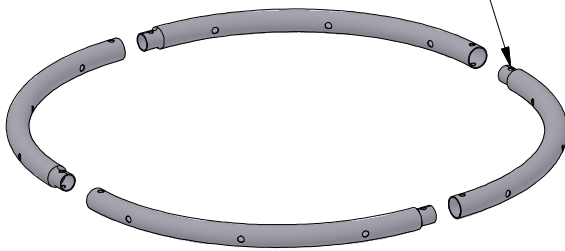


STEP 1 - WEB SWING ASSEMBLY

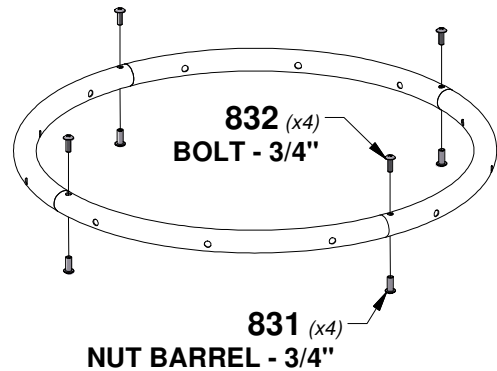
QTY	PART NUMBER	DESCRIPTION
4	H100831	NUT BARREL PTH BLK 1/4x3/4
4	H100832	BOLT PTH 1/4x3/4

IMPORTANT: SLIDE ROPE LOOPS OVER TUBE ENDS FIRST!

SLIDE NARROW END OF TUBES INTO LARGER OPENING AFTER SLIDING ROPE LOOPS ONTO TUBES.

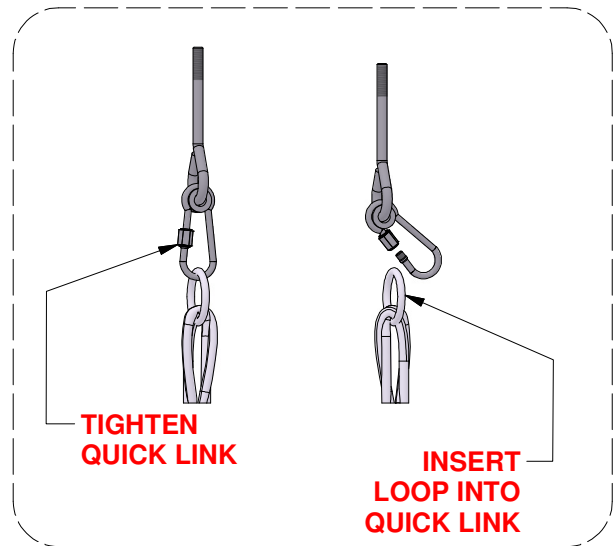


NOTE: ROPE WEBBING NOT SHOWN IN ILLUSTRATION FOR CLARITY.

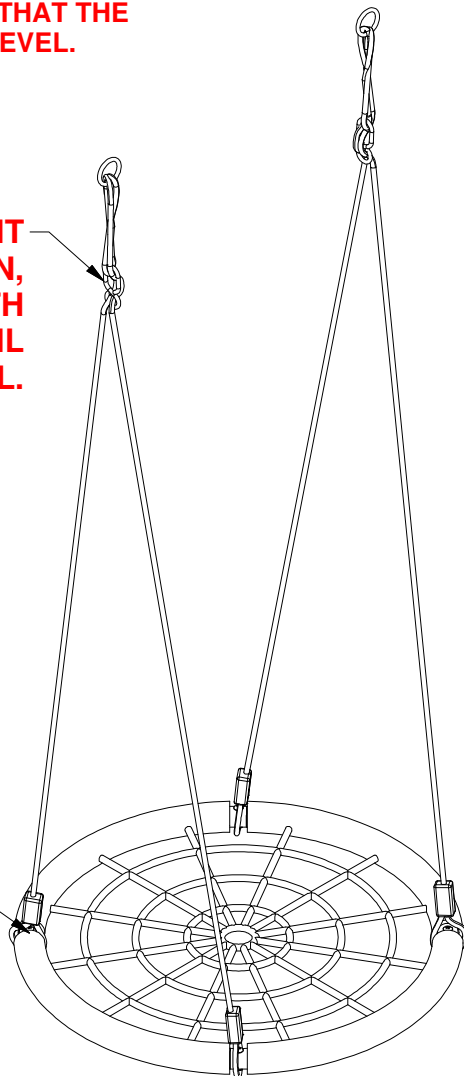


NOTE: IT IS IMPORTANT THAT THE WEB SWING HANG LEVEL.

TO ENSURE STRAIGHT SWINGING MOTION, ADJUST BOTH "S" BRACKETS UNTIL WEB SEAT IS LEVEL.



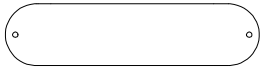
SWING MUST BE SET AT A MINIMUM OF 8 INCHES OFF THE GROUND WHEN INSTALLED.



STEP 5 - FINAL ASSEMBLY



A100068
(x4) **CHAIN GREEN 51.25"**



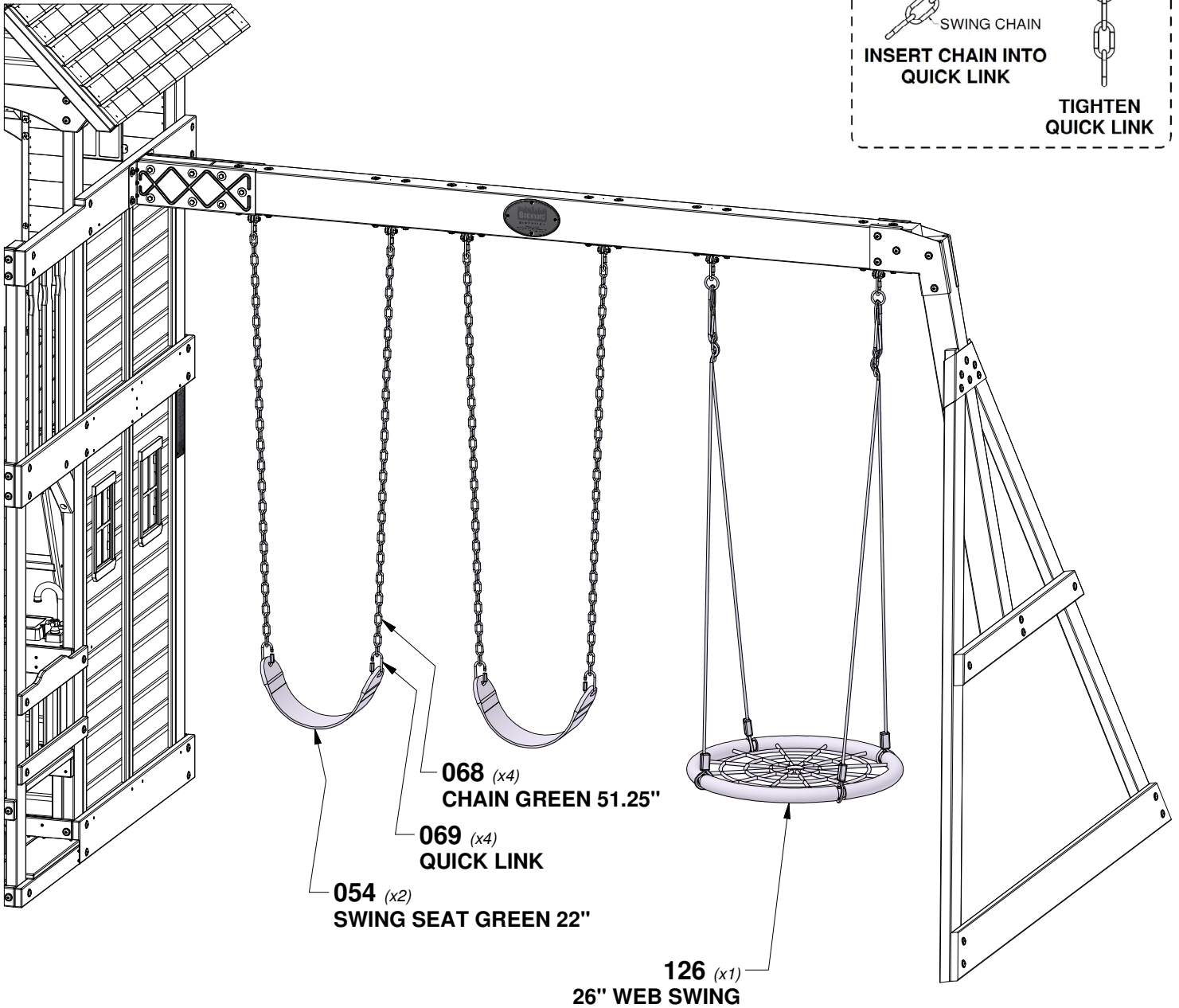
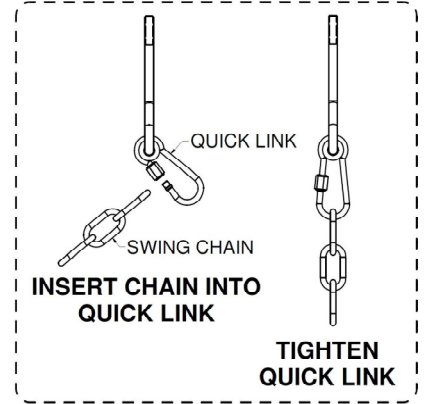
A6P00054
(x2) **SWING SEAT GREEN 22"**



A100069
(x4) **QUICK LINK**

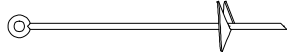


A4M01126
(x1) **26" WEB SWING**



STEP 6 - FINAL ASSEMBLY

QTY	PART NUMBER	DESCRIPTION
6	H100379	T-NUT 5/16 BLK
6	H100459	BOLT WH 5/16x1 1/4 BLK



A100178 AUGER GROUND STAKE
(x6)

TIP:
INSTALL T-NUTS IN WOOD FIRST

TWIST GROUND STAKE INTO GROUND AT LOCATIONS SHOWN. USING AUGER STAKE AS A GUIDE, DRILL A 7/16" [10mm] HOLE FOR HARDWARE.

